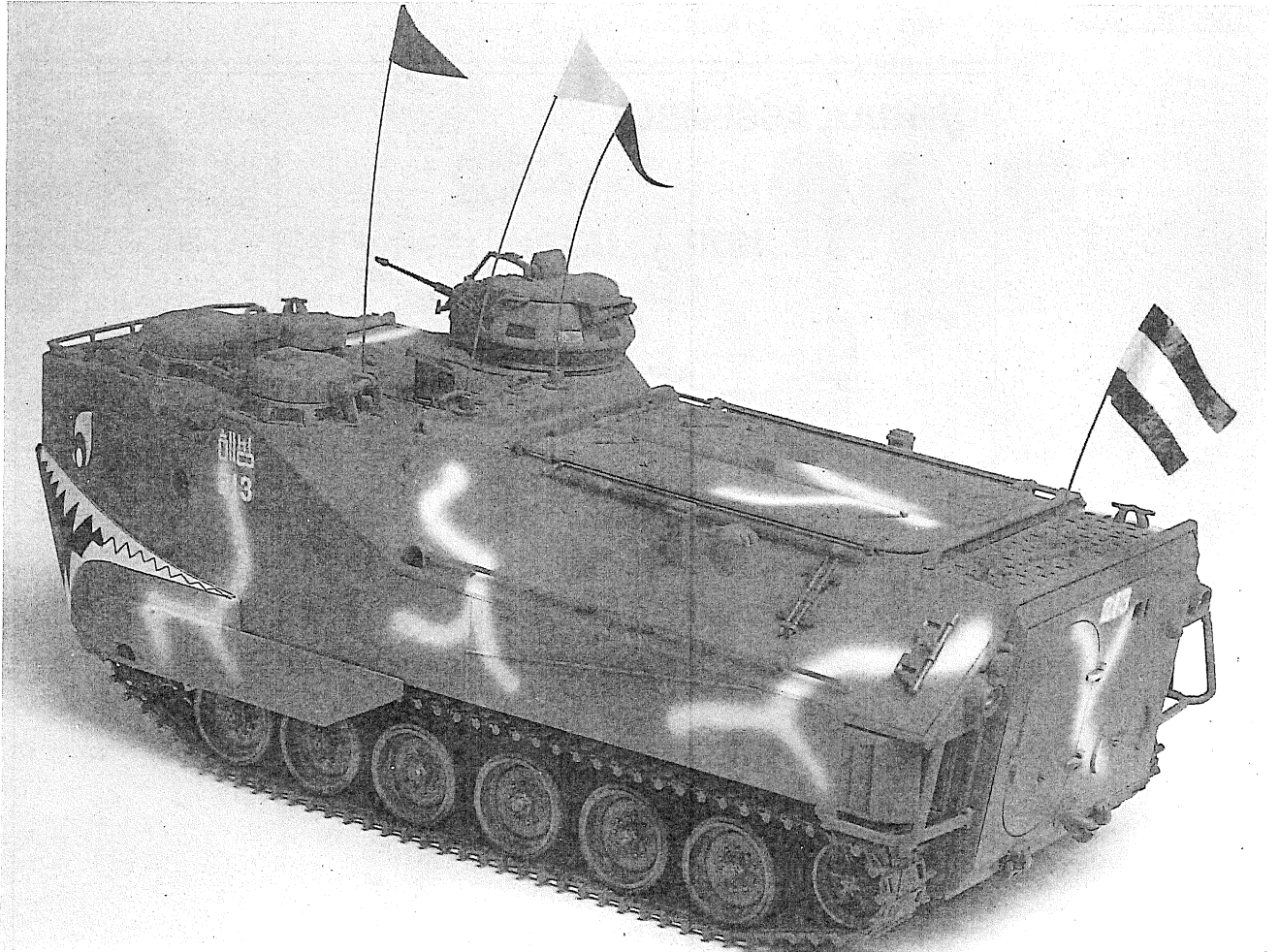


# LVTP7 AMTRAC

## AMPHIBIOUS ASSAULT VEHICLE



1/35 Scale

**ACADEMY**  
**MINICRAFT**  
MODEL KITS

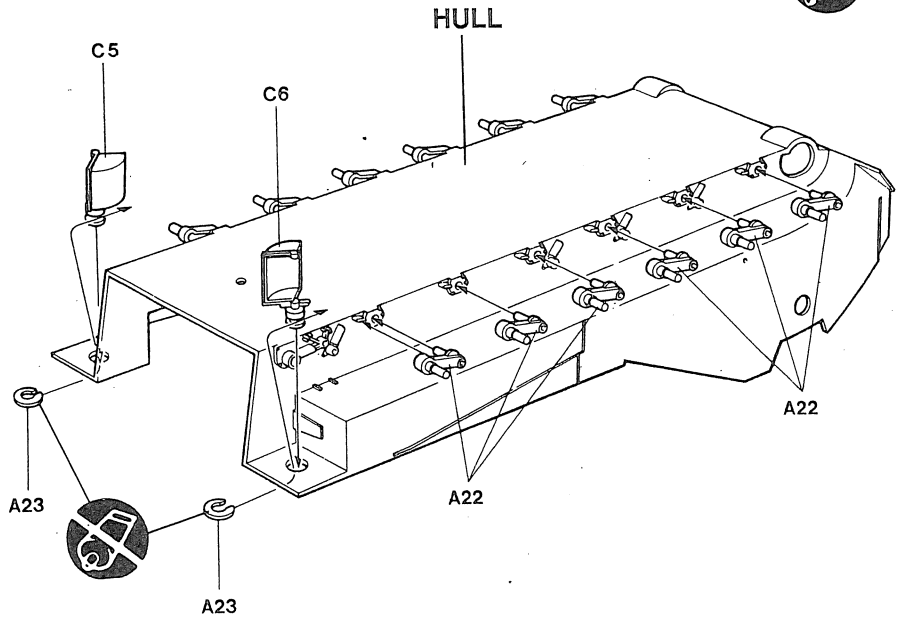
1344

# LVTP7 AMTRAC

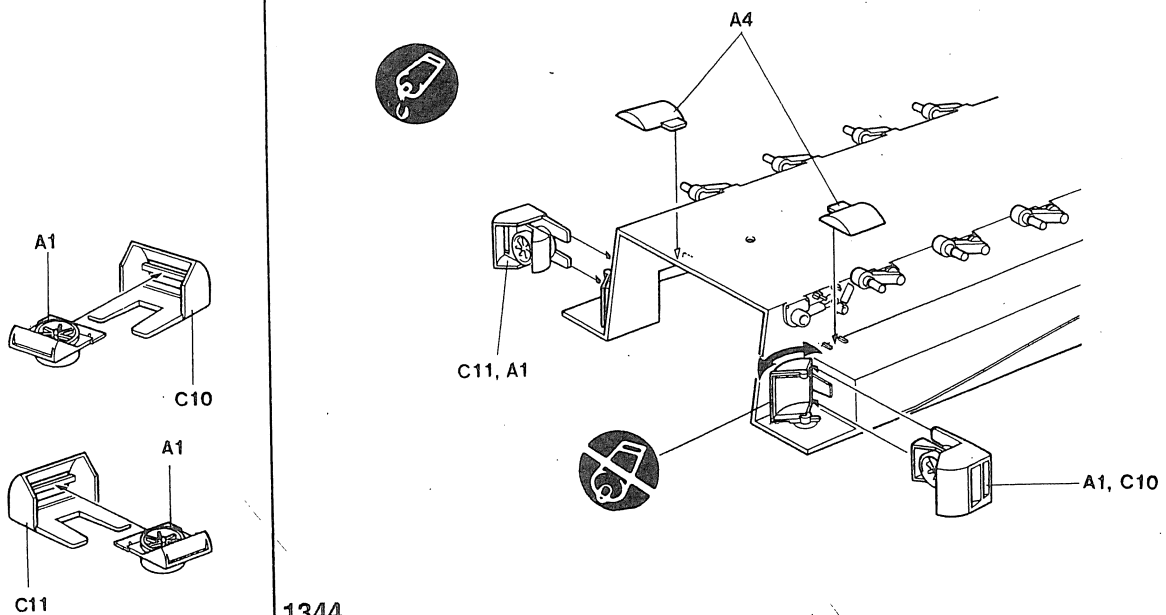
**ACADEMY**  
**MINICRAFT**  
MODEL KITS

| ENGLISH  | FRENCH   | GERMAN   | SPANISH  | ITALIAN   |
|----------|----------|----------|----------|-----------|
| WHITE    | BLANCO   | WEISS    | BLANC    | BIANCO    |
| RED      | ROUGE    | ROT      | ROJO     | ROSSO     |
| GUNMETAL | METALLIC | METALLIC | METALICO | METALLICO |
| GREEN    | VERT     | GRUN     | VERDE    | VERDE     |
| SILVER   | ARGENT   | SILBERN  | PLATA    | ARGENTO   |
| BLACK    | NOIR     | SCHWARTZ | NEGRO    | NERO      |

## 1 HULL ASSEMBLY

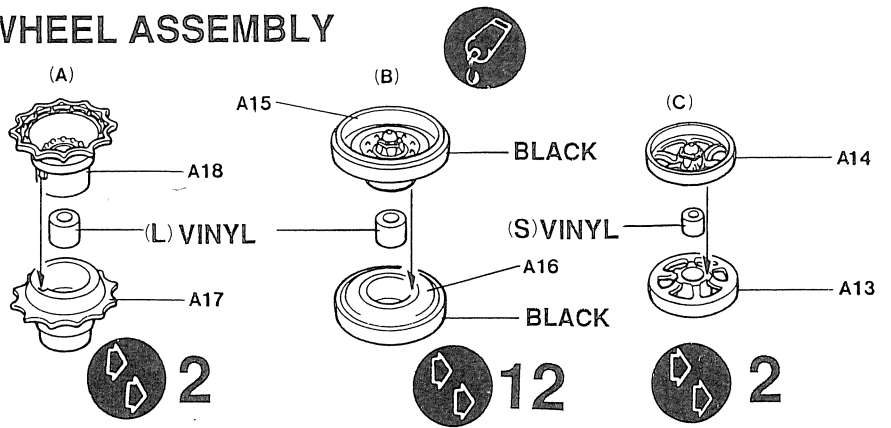


## 2 PROPELLER ASSEMBLY

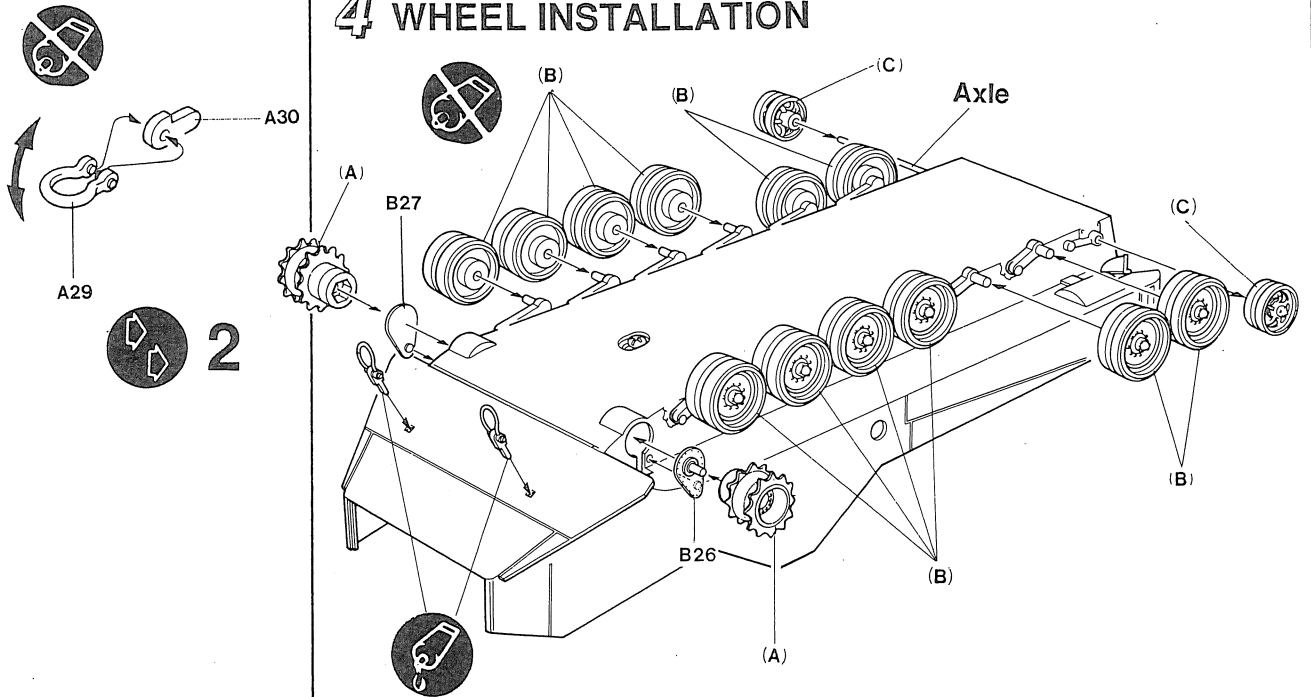


1344

### 3 WHEEL ASSEMBLY

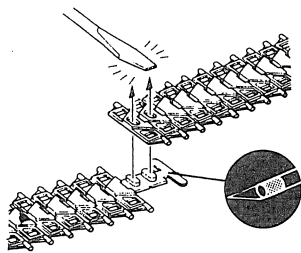


### 4 WHEEL INSTALLATION

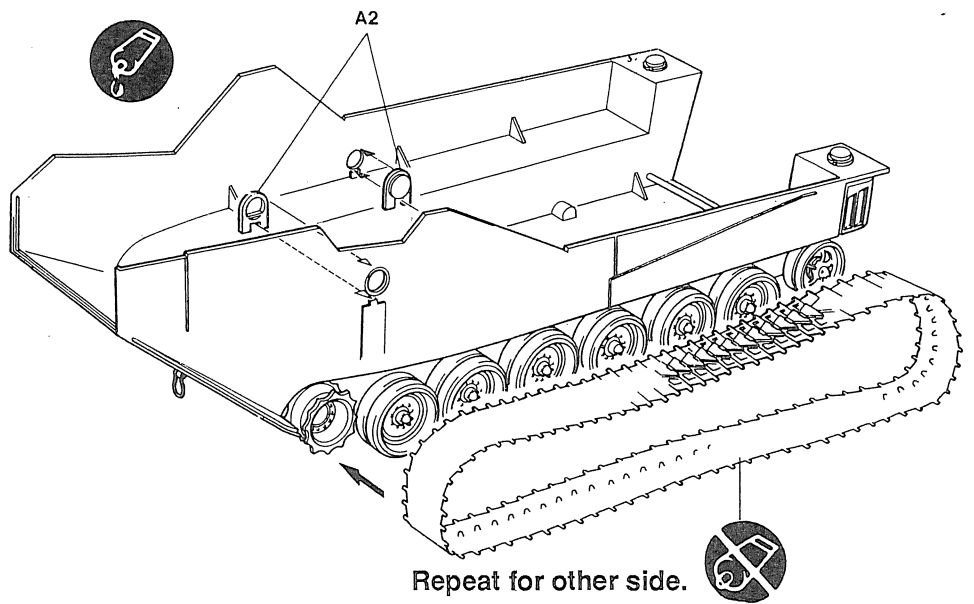
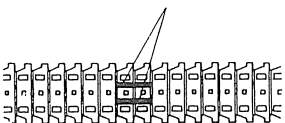


### 5 TRACK INSTALLATION

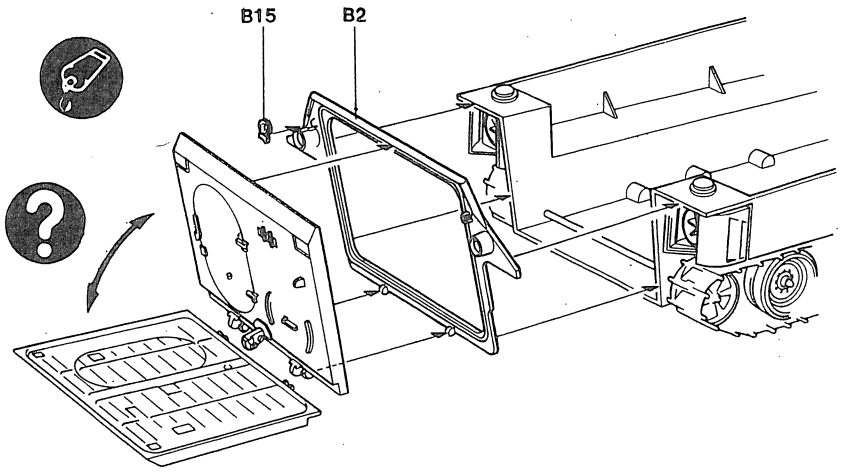
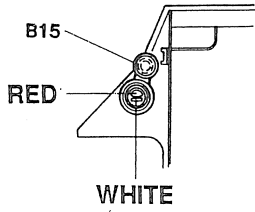
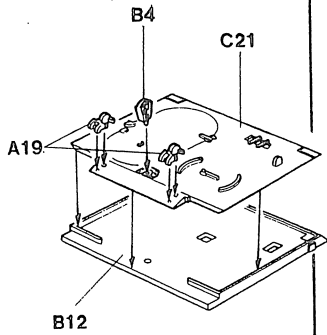
HEAT SCREWDRIVER  
THEN MELT TRACKS  
TOGETHER AS SHOWN.



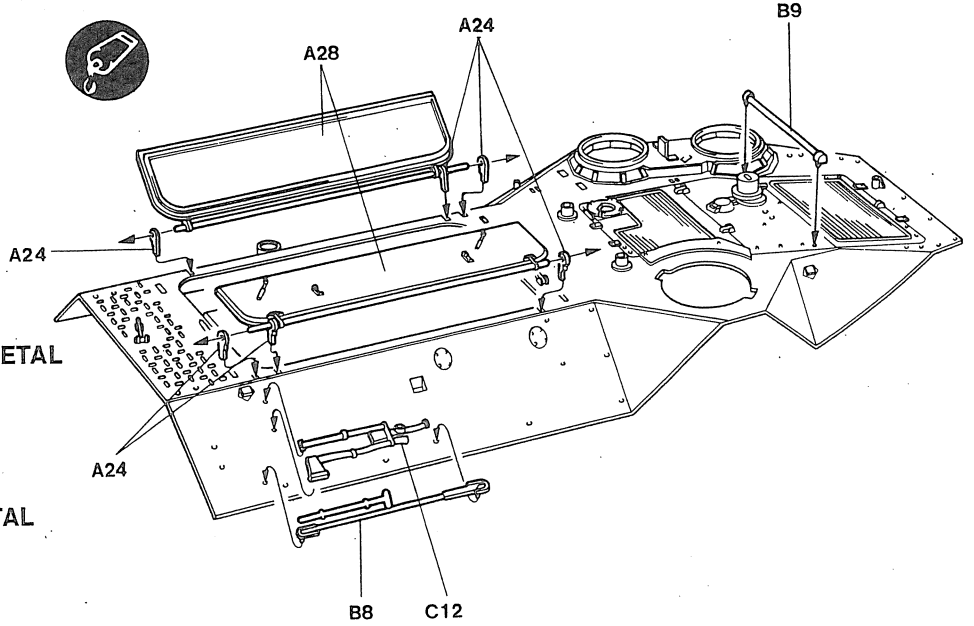
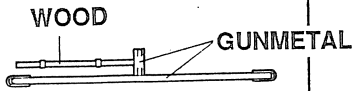
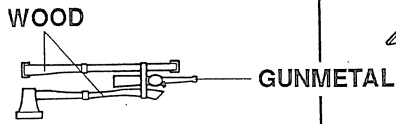
INSIDE VIEW



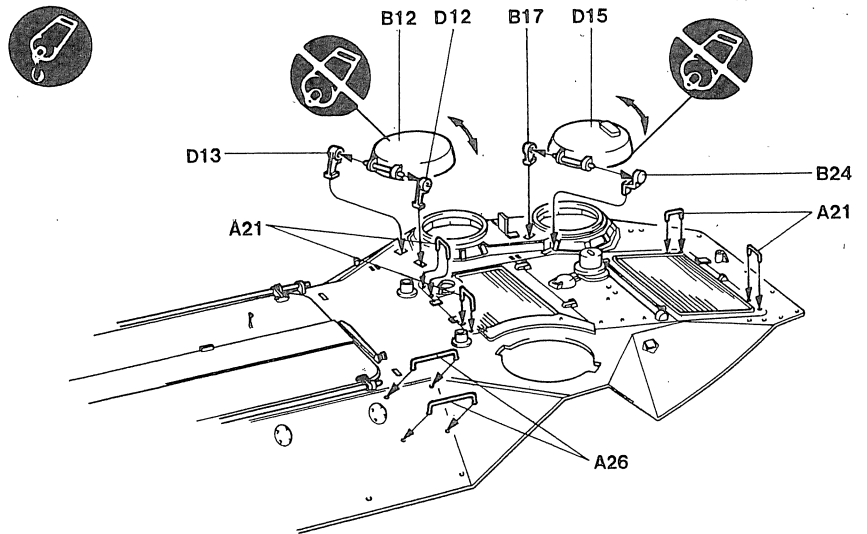
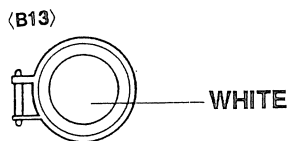
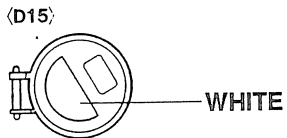
## 6 REAR DOOR



## 7 UPPER ASSEMBLY

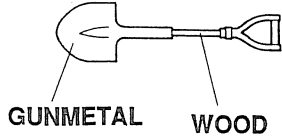
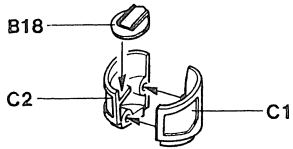


## 8 HATCH INSTALLATION

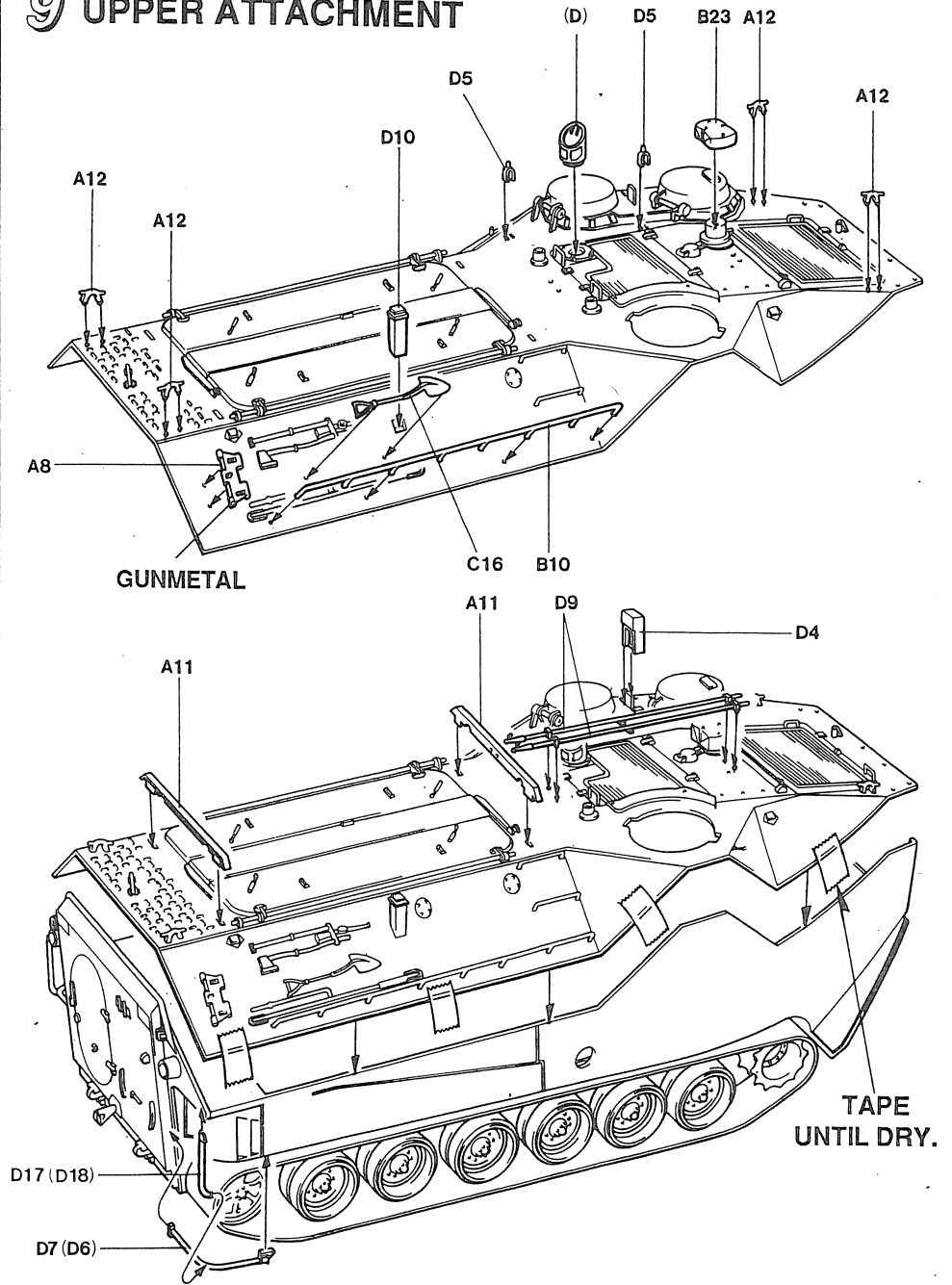


1344

(D)

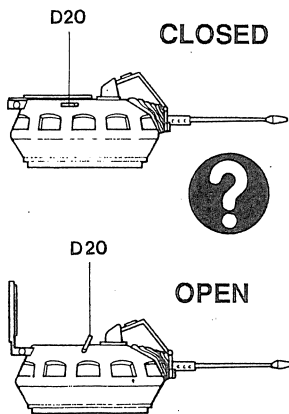


# 9 UPPER ATTACHMENT

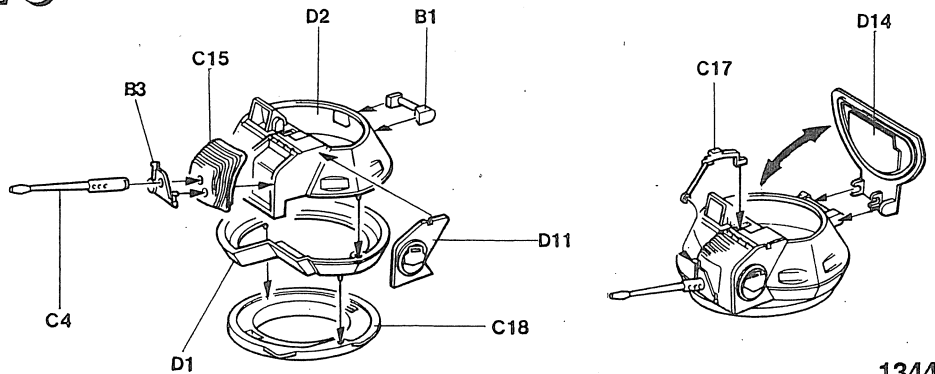


Repeat for other side.

NOTE POSITION OF D20 IN RELATION TO POSITION OF D14.

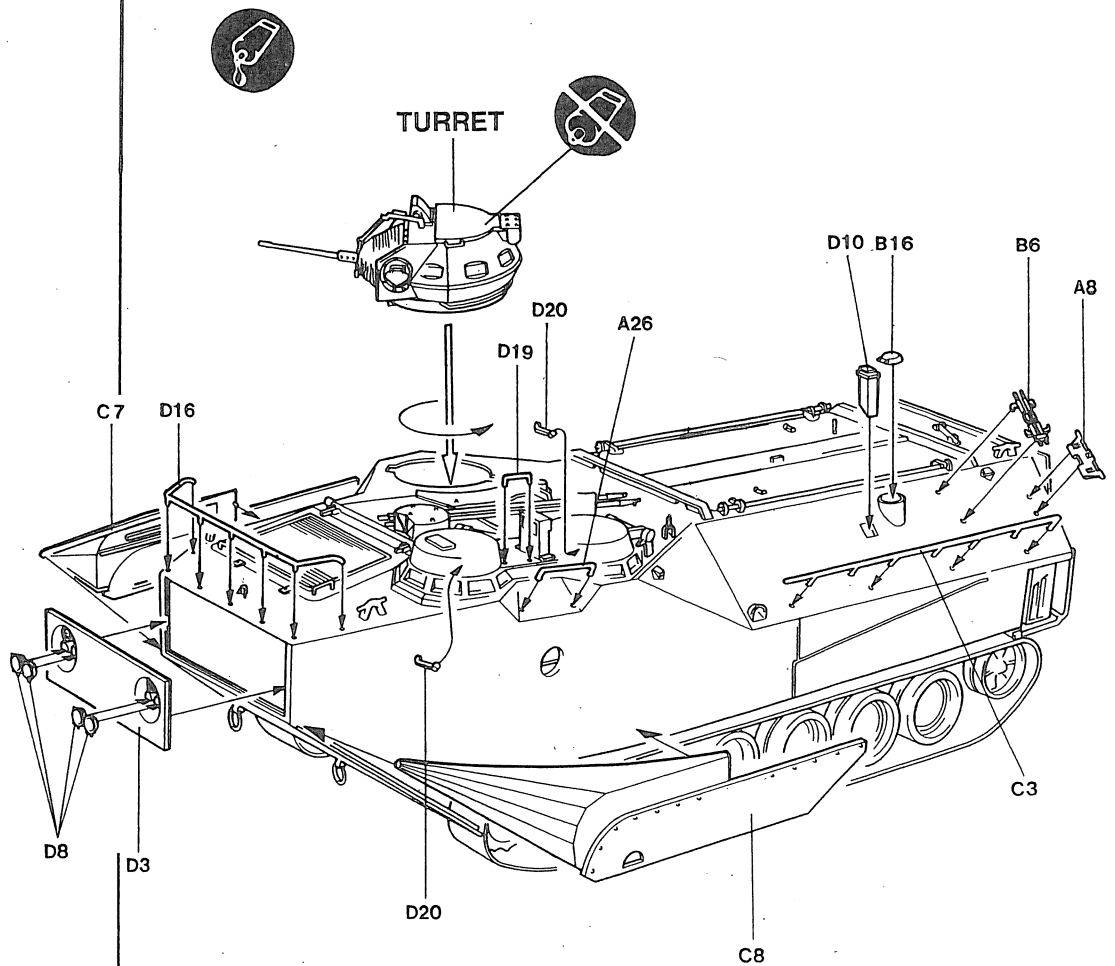


# 10 TURRET ASSEMBLY



1344

# 11 FINAL ASSEMBLY



**Cement Parts**  
 Colar  
 Kleben  
 Pegar  
 Incollare  
 Colar  
 Kleven



**Do Not Cement Parts**  
 Ne Pas Colier  
 Nicht Kleben  
 No Pegar  
 Non Incollare  
 Não Colar  
 Niet Kleven



**Cut Away**  
 Couper  
 Scheiden  
 Cortar  
 Tagliare  
 Corter  
 Snijden



**Optional Parts**  
 Choix  
 Auswahlmöglichkeit  
 Elección  
 Scelta  
 Opcao  
 Keuze



**3**  
**Repeat Operation**  
 Répéter l'opération  
 Vorgang Wiederholen  
 Repetir la operación  
 Repetere  
 Repetir a Opração  
 Herhalen

**Minicraft Models, Inc.**  
 1510 W. 228th St.  
 Torrance, Calif. 90501

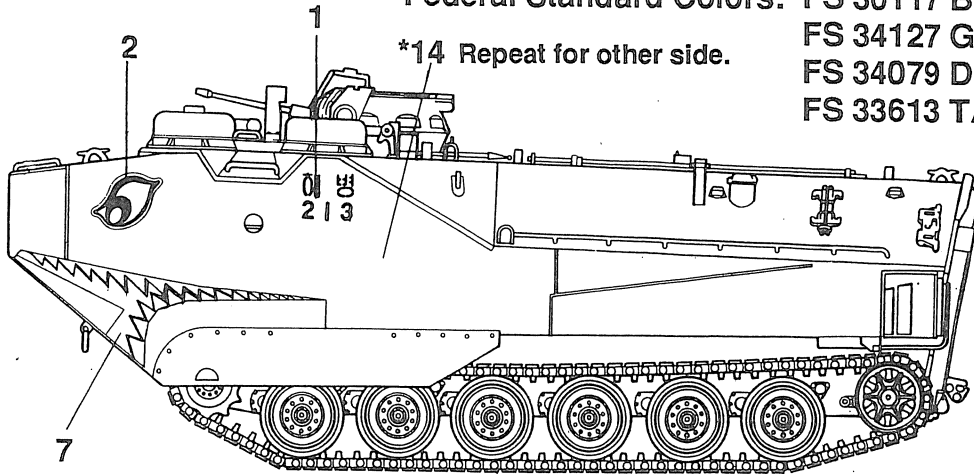


© 1990 Minicraft Models Inc.

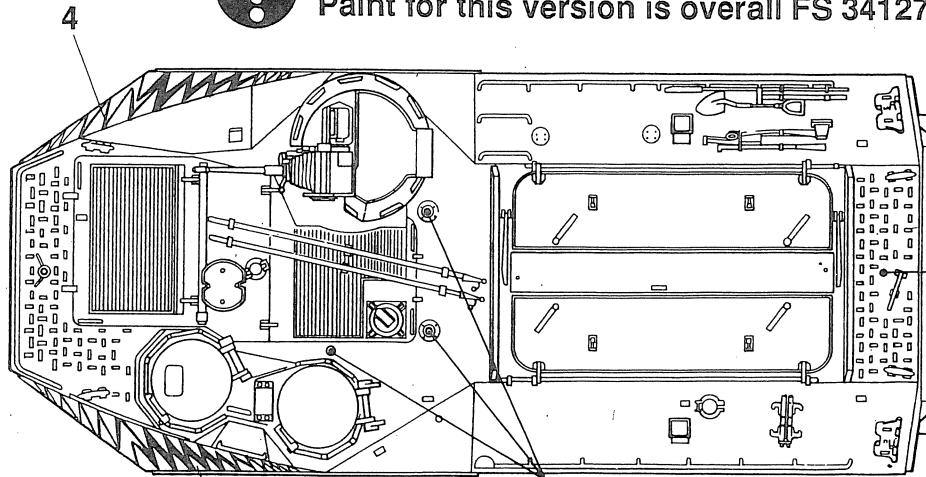
1344

# DECAL PLACEMENT

Refer to box art for camouflage pattern using  
 Federal Standard Colors: FS 30117 BROWN  
 FS 34127 GREEN  
 FS 34079 DK. GREEN  
 FS 33613 TAN

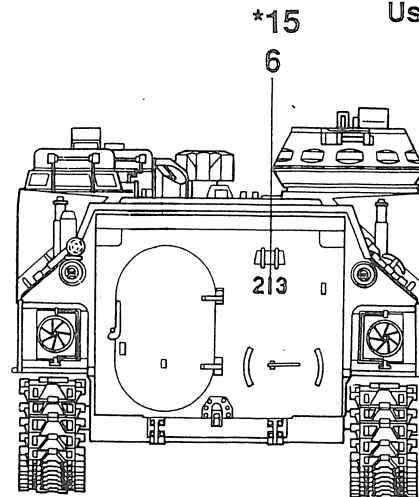
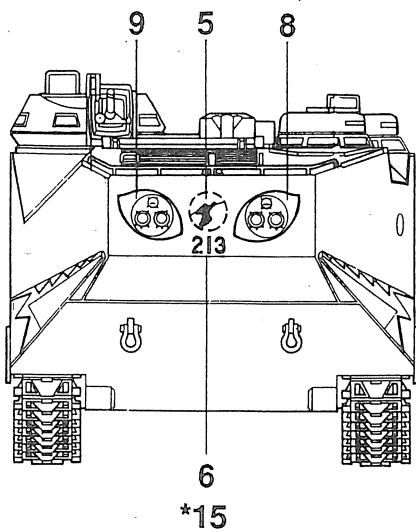


Decals for alternate paint scheme are denoted by (\*).  
 Paint for this version is overall FS 34127 GREEN.

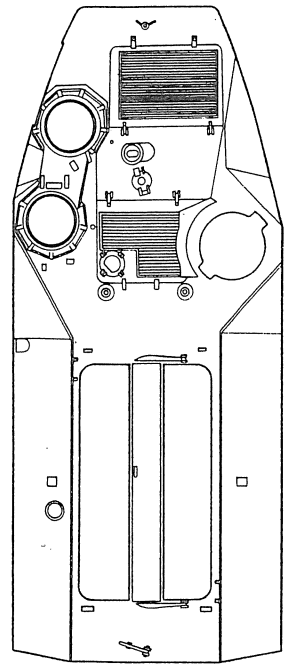
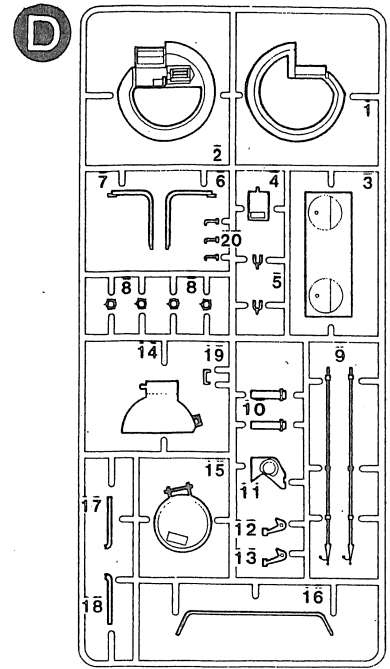
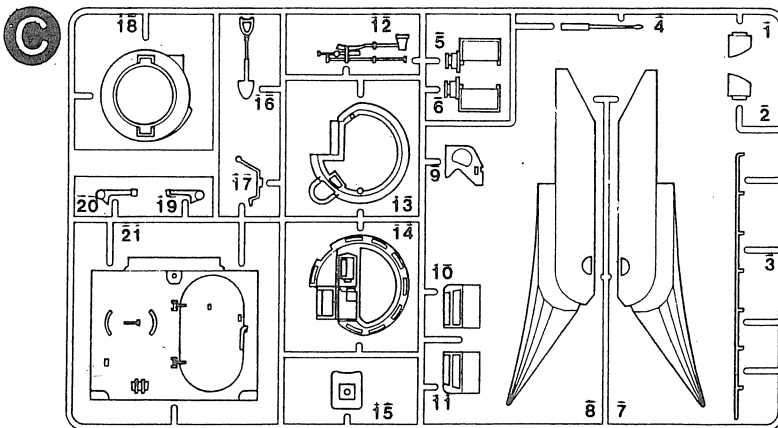
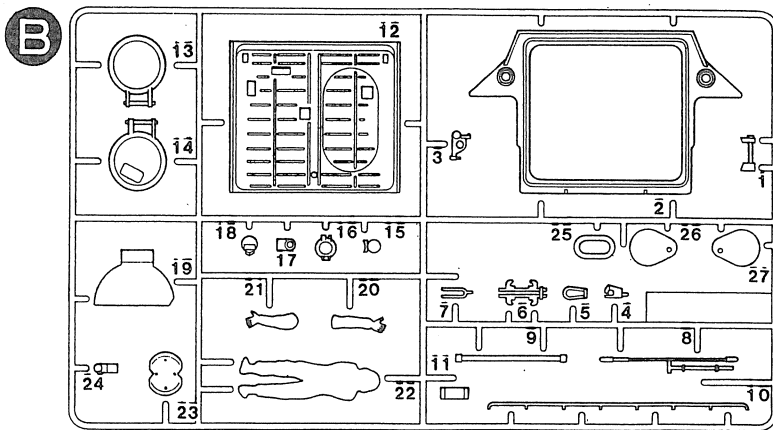
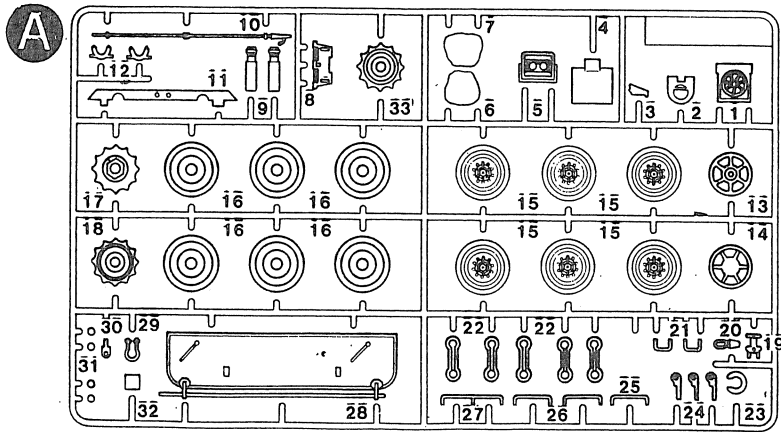


Make 3 sprue antennas.  
 Use Decals 11, 12, 13.

Drill a small hole and insert a  
 mast made of sprue or wire.  
 Use Decal 10.



# PARTS LOCATING DIAGRAM



1344