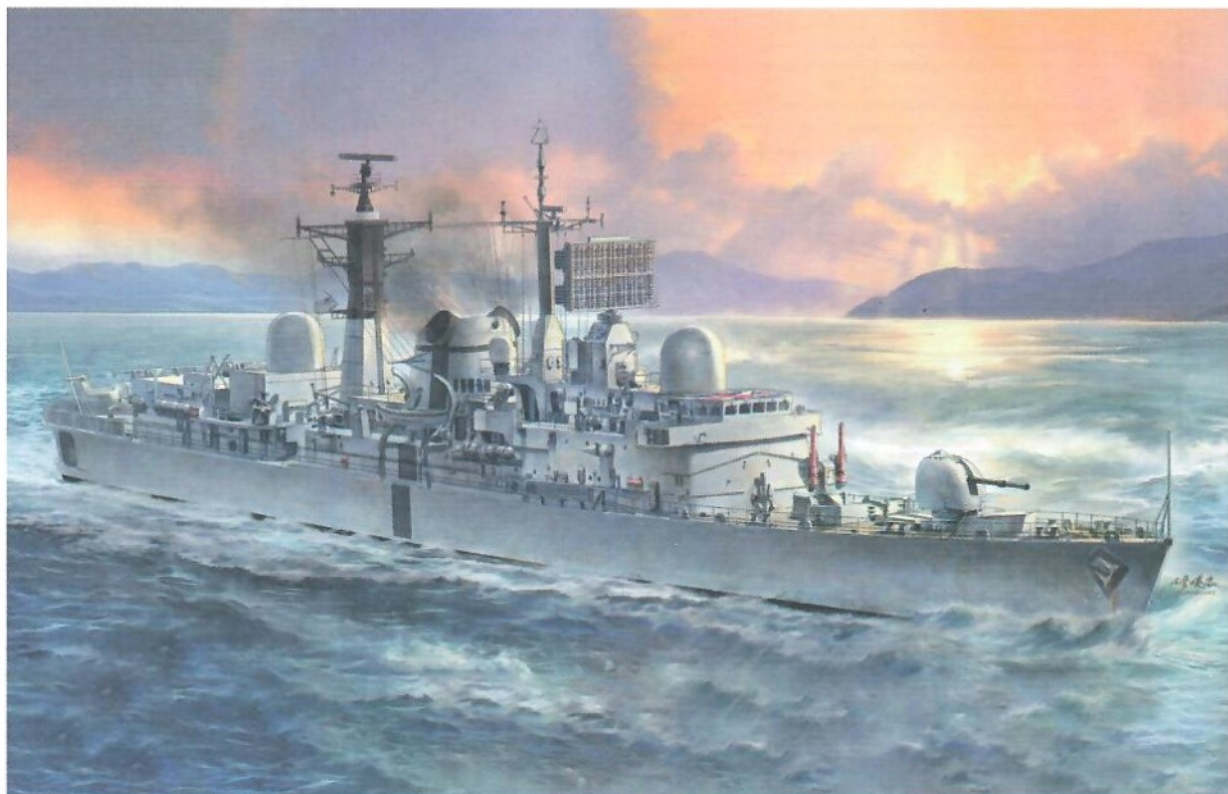


## HMS Sheffield

## Type 42 Guided Missile Destroyer Batch I



英国42型导弹驱逐舰谢菲尔德号

ITEM 3001

 切除阴影部分 Remove shaded parts	 钻孔 Drill	 对侧同样制作 Make the same for the other side	 将孔填平 Fill holes	 选择制作 Options to choose
 锉平 File smoothly	 制作2组 Make two sets	 不用黏合 Do not cement	 使用瞬间胶 Use instant glue	 注意 Attention
 塑料零件编号 Codes for plastic parts	 蚀刻片编号 Codes for photo etched parts	 过往步骤 Previous steps	 被取代的零件编号 Codes for replaced parts	 郡士油性漆 Gunze Mr.color

## 水贴使用说明

1. 将水贴剪下置于温水中浸泡约15秒。
2. 从水中取出水贴，等待图案与底纸自然分离。
3. 将水贴置于恰当的位置，轻轻将水贴印刷面推离底纸至适当位置。
4. 精确调整水贴的位置。
5. 用吸水纸巾或棉签轻轻按压水贴表面，将水份和气泡全部挤出。
6. 待其自然干燥。

## Instruction for decal application

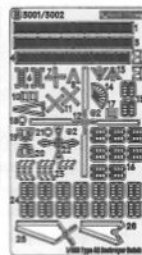
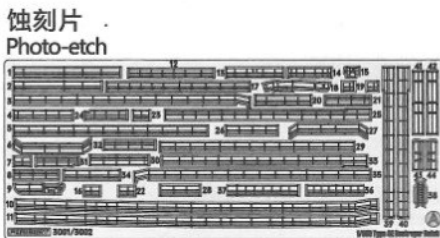
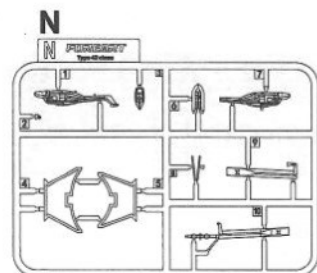
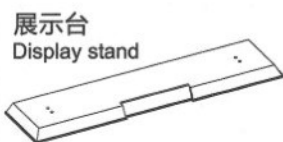
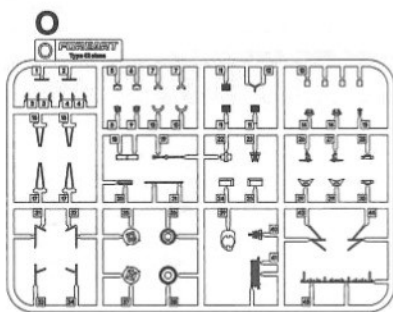
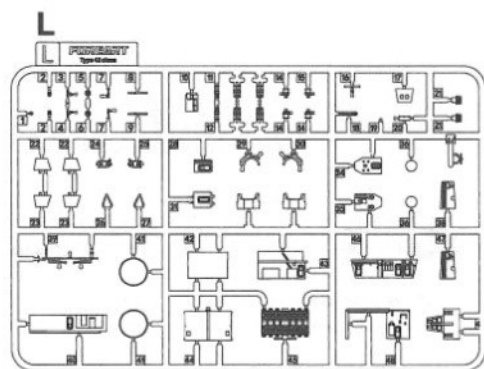
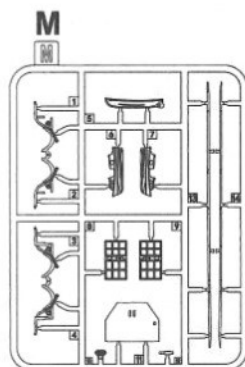
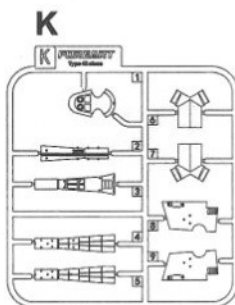
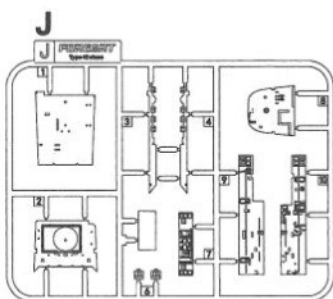
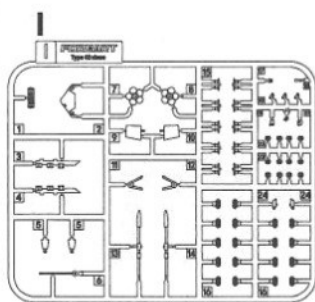
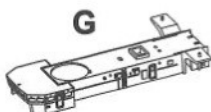
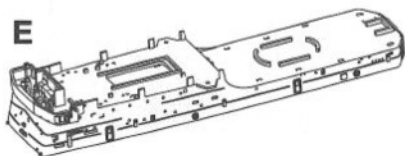
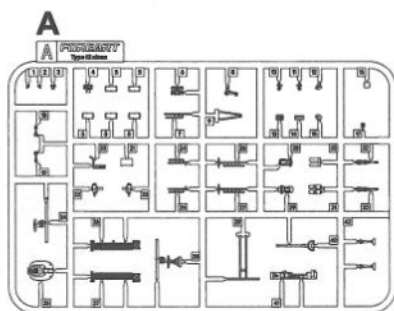
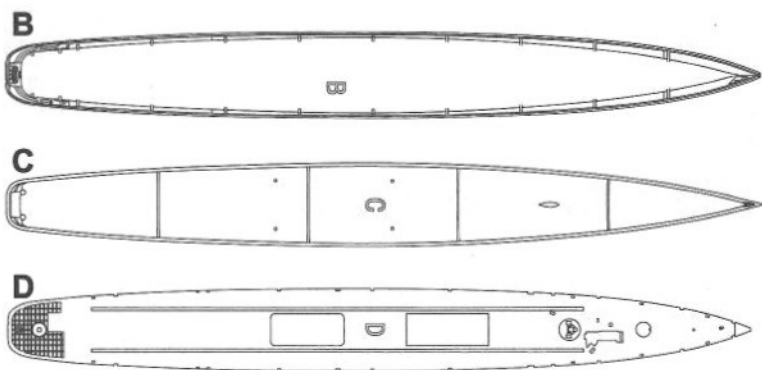
1. Cut decals from sheet and soak them into water for 15 seconds.
2. Take decals from water and wait them to separate from base paper naturally.
3. Hold the edge of decals and slide them onto the model.
4. Move decals to proper positions precisely.
5. Press decals down gently with water absorption paper or cotton bud until excess water and air bubbles are gone.
6. Wait decals dry.

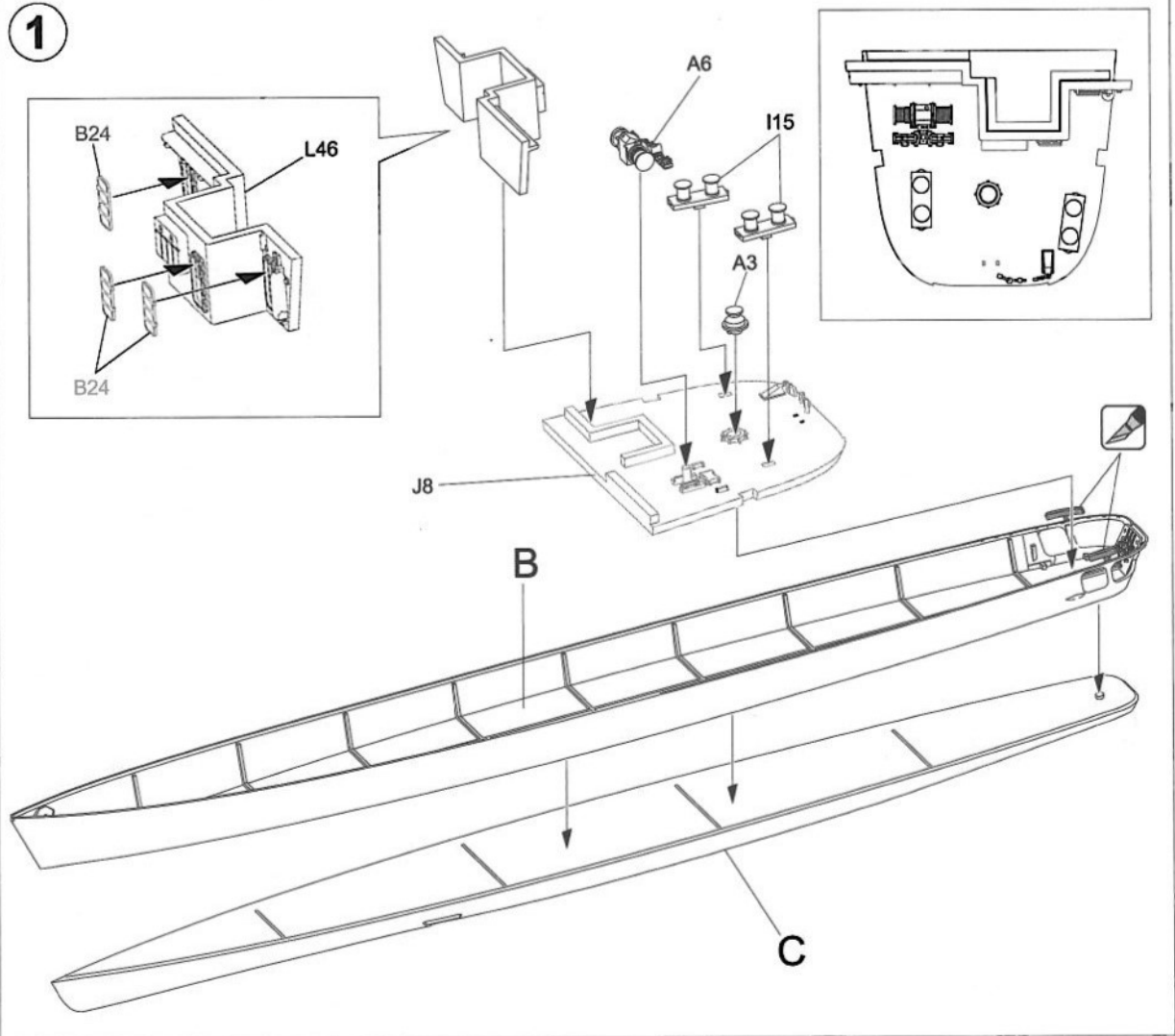
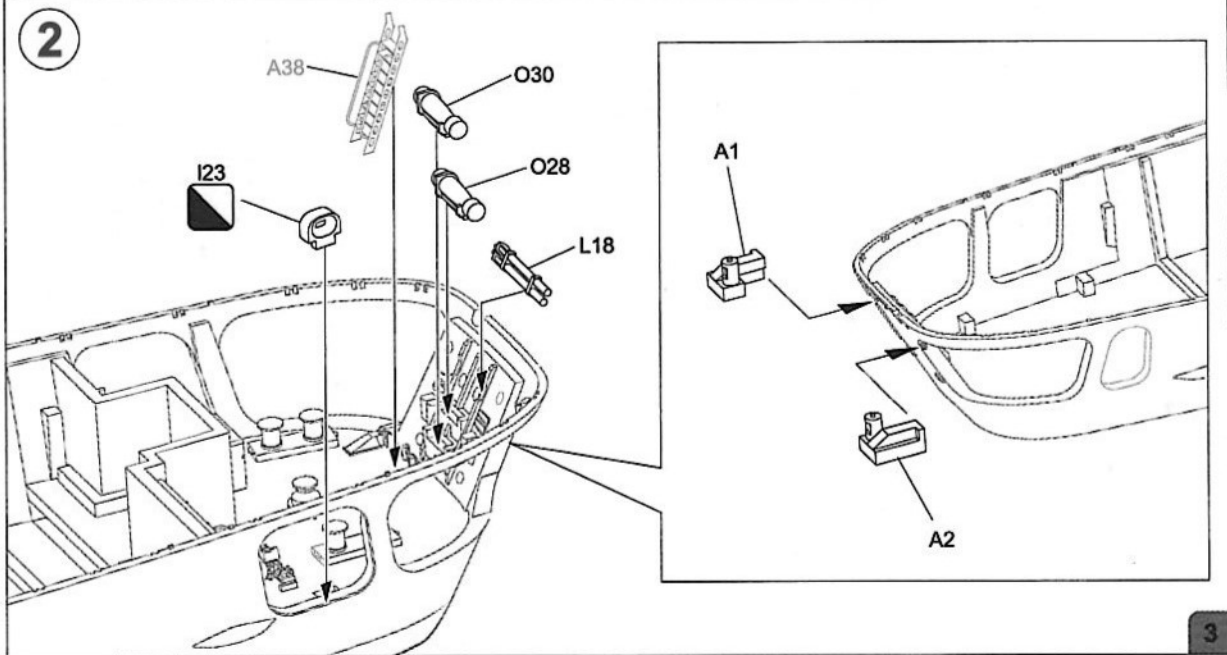
注意  
CAUTION

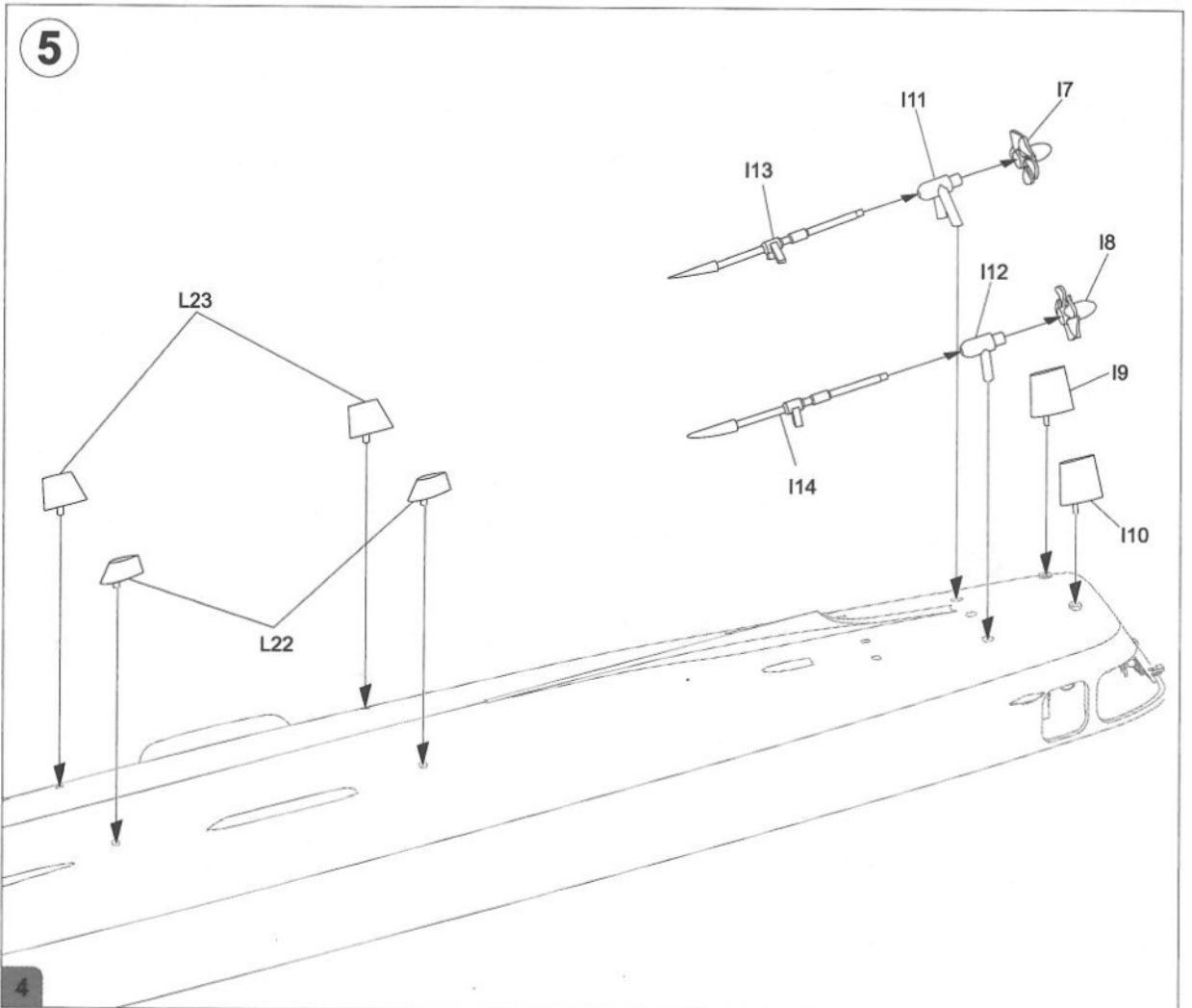
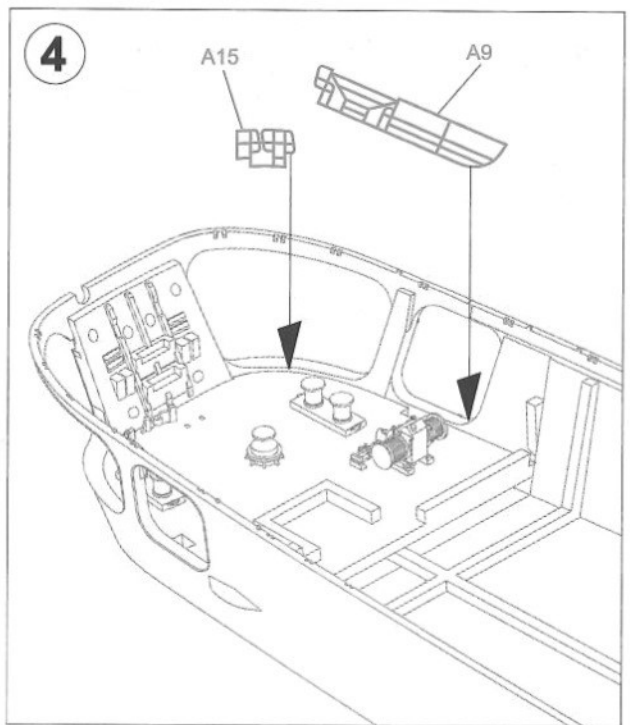
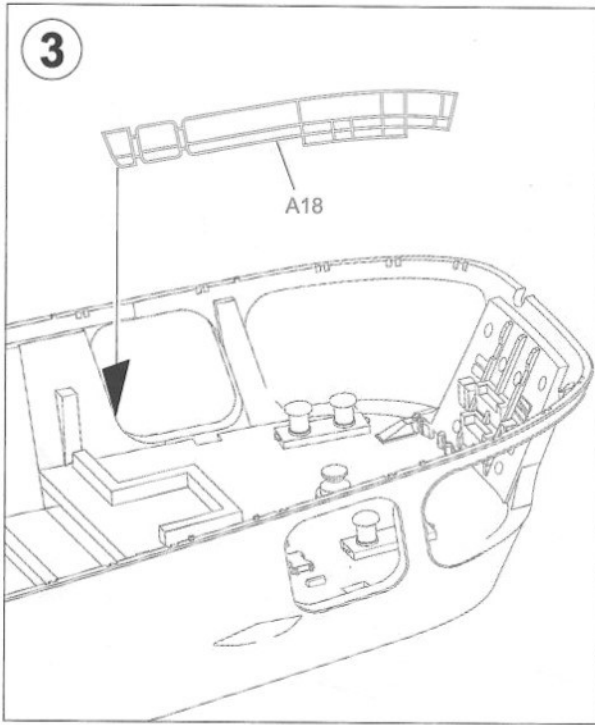
在使用胶水组装模型或进行涂装上色的过程中，请保持通风环境。

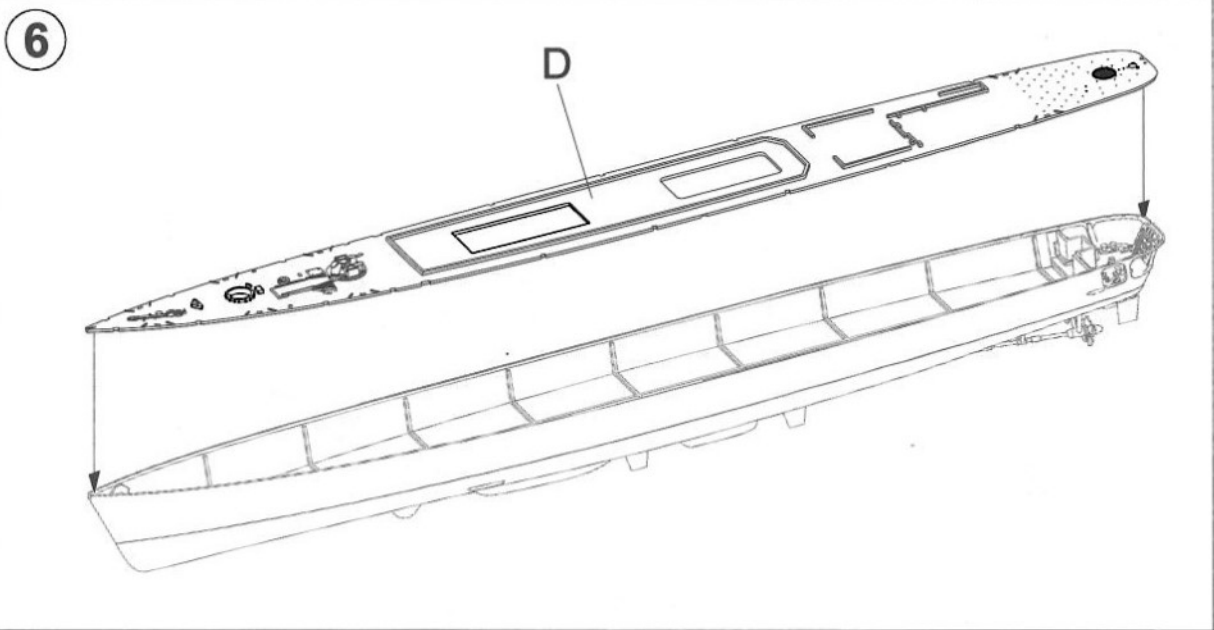
Keep ventilated when glue or paint was used

南京市极致模型玩具有限公司  
中国江苏省南京市江北新区七瑶路7号  
Nanjing JiZhi Models & Toys Co., Ltd.  
No. 7 Qi Yao Road, Jiangbei New Area, Nanjing China  
Tel: +86-25-86518995  
E-mail: forehobby@sina.com  
www.forehobby.com

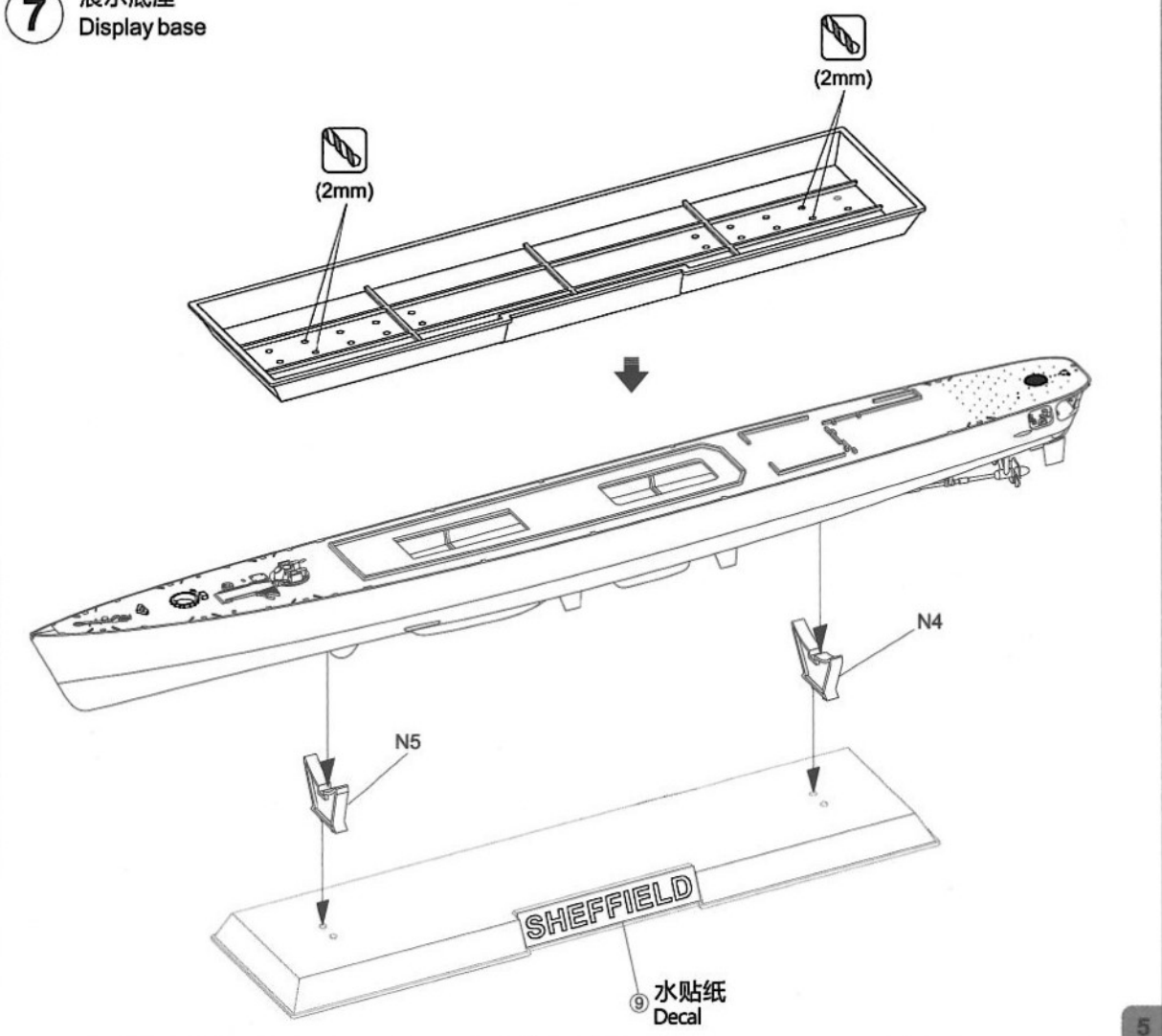


**1****2**



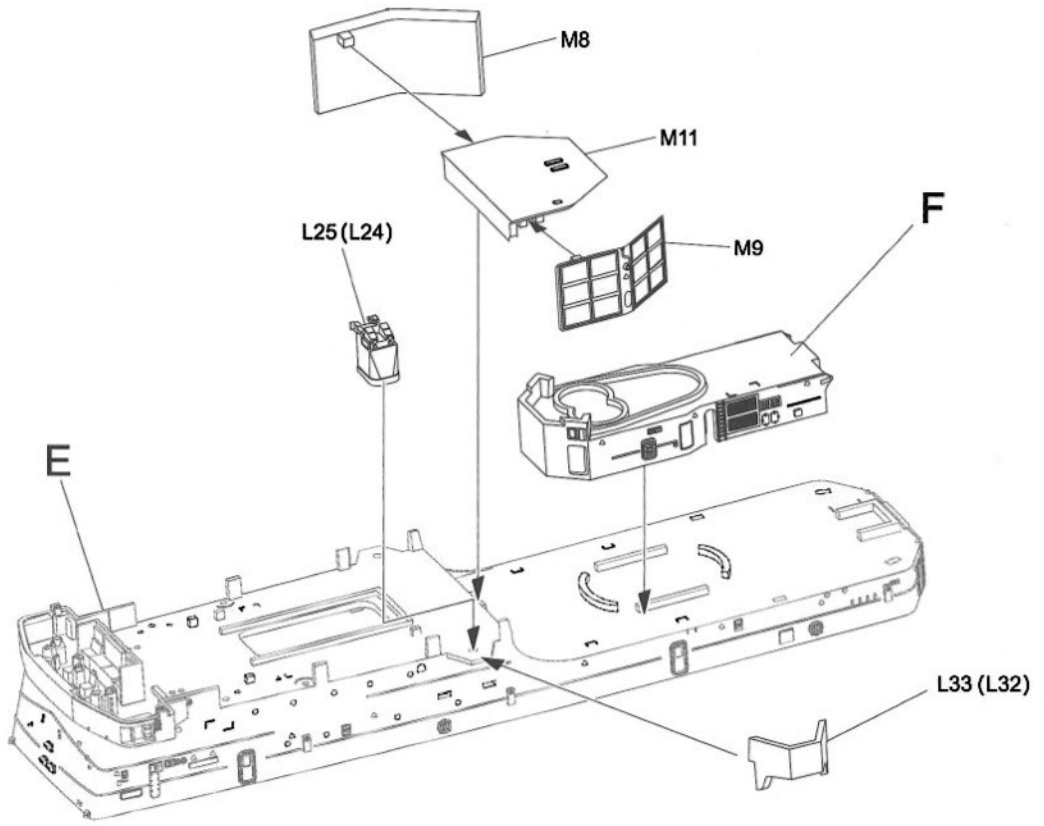


7 展示底座  
Display base

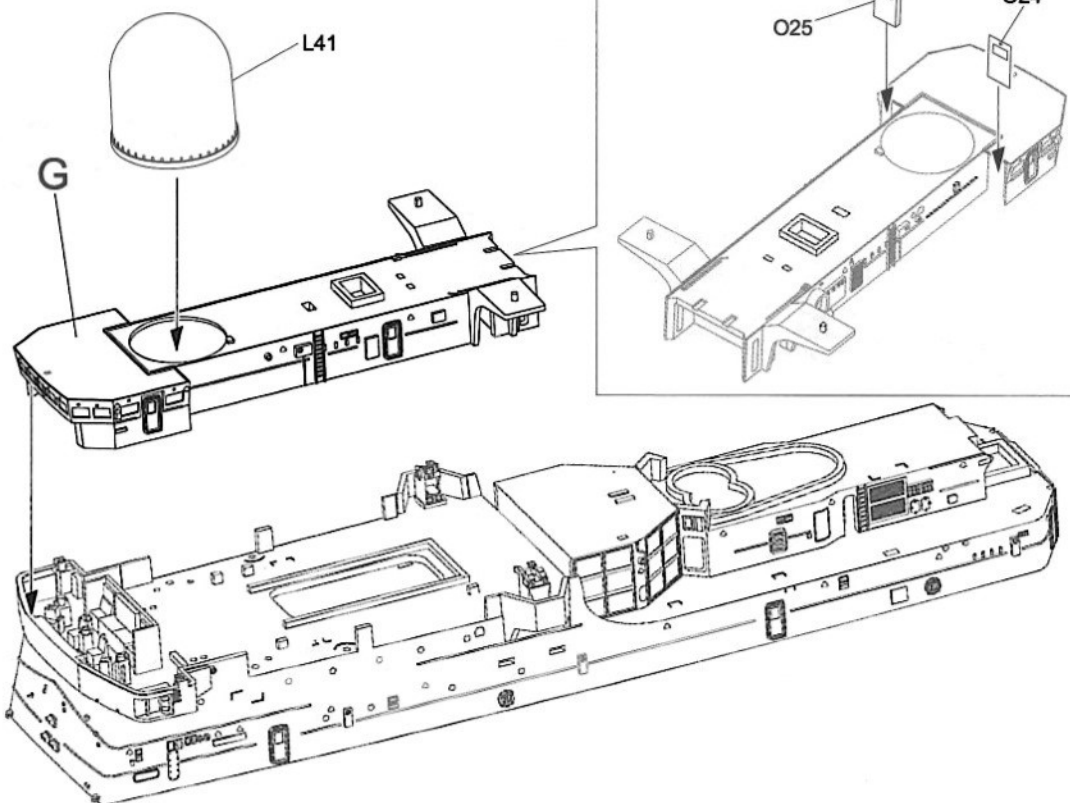




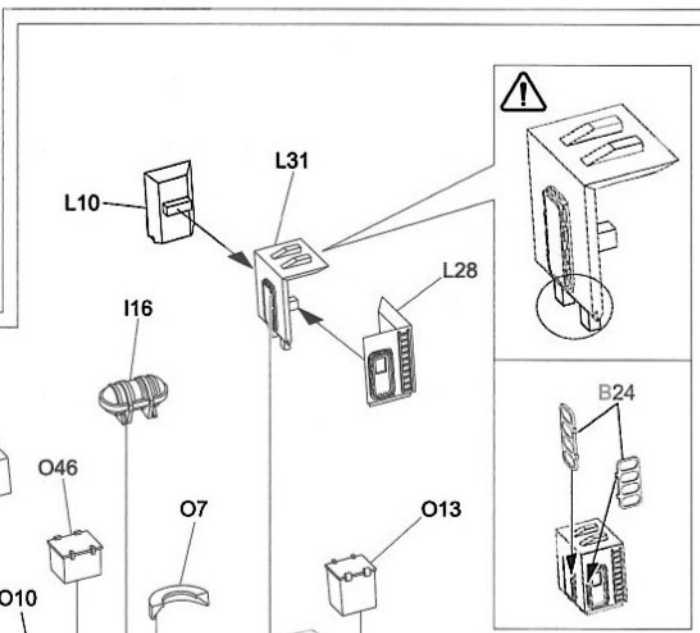
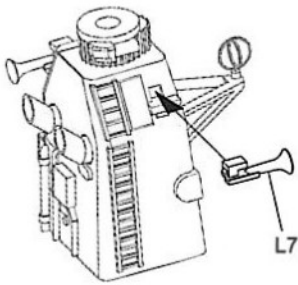
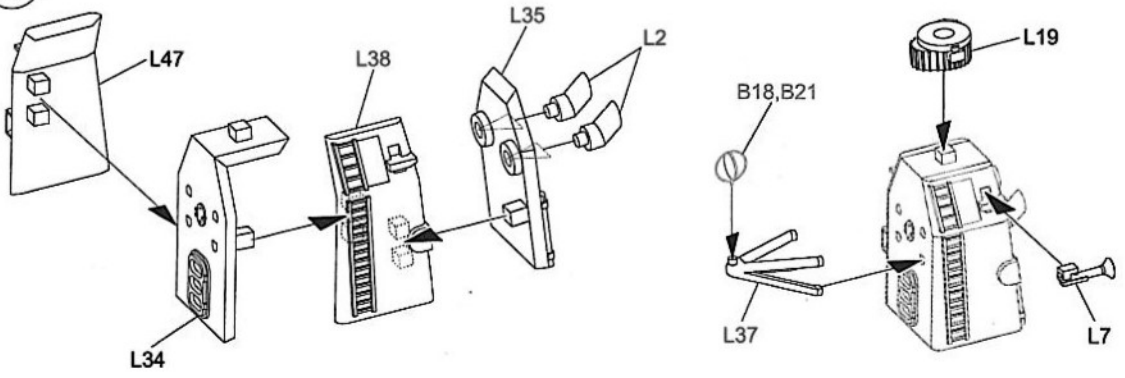
8



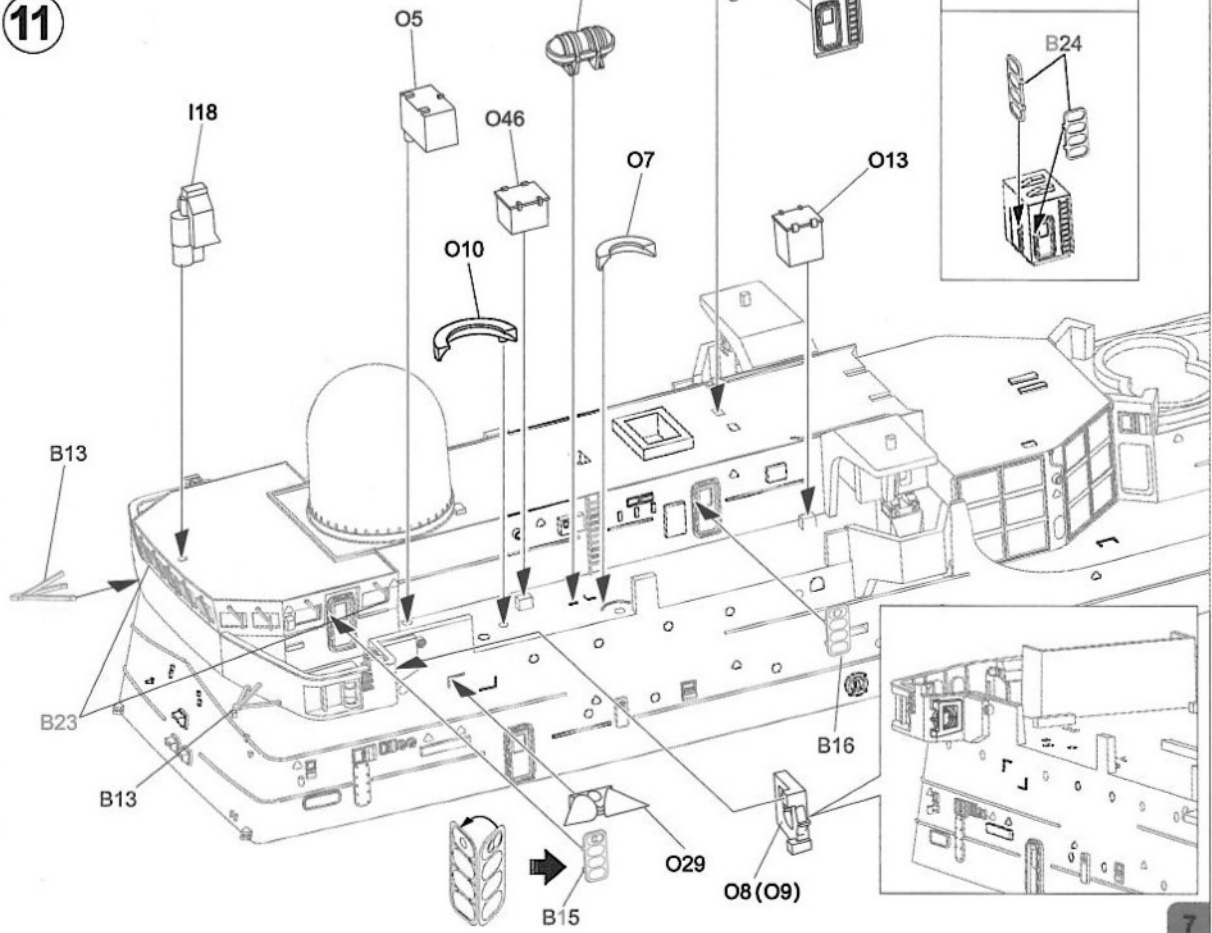
9



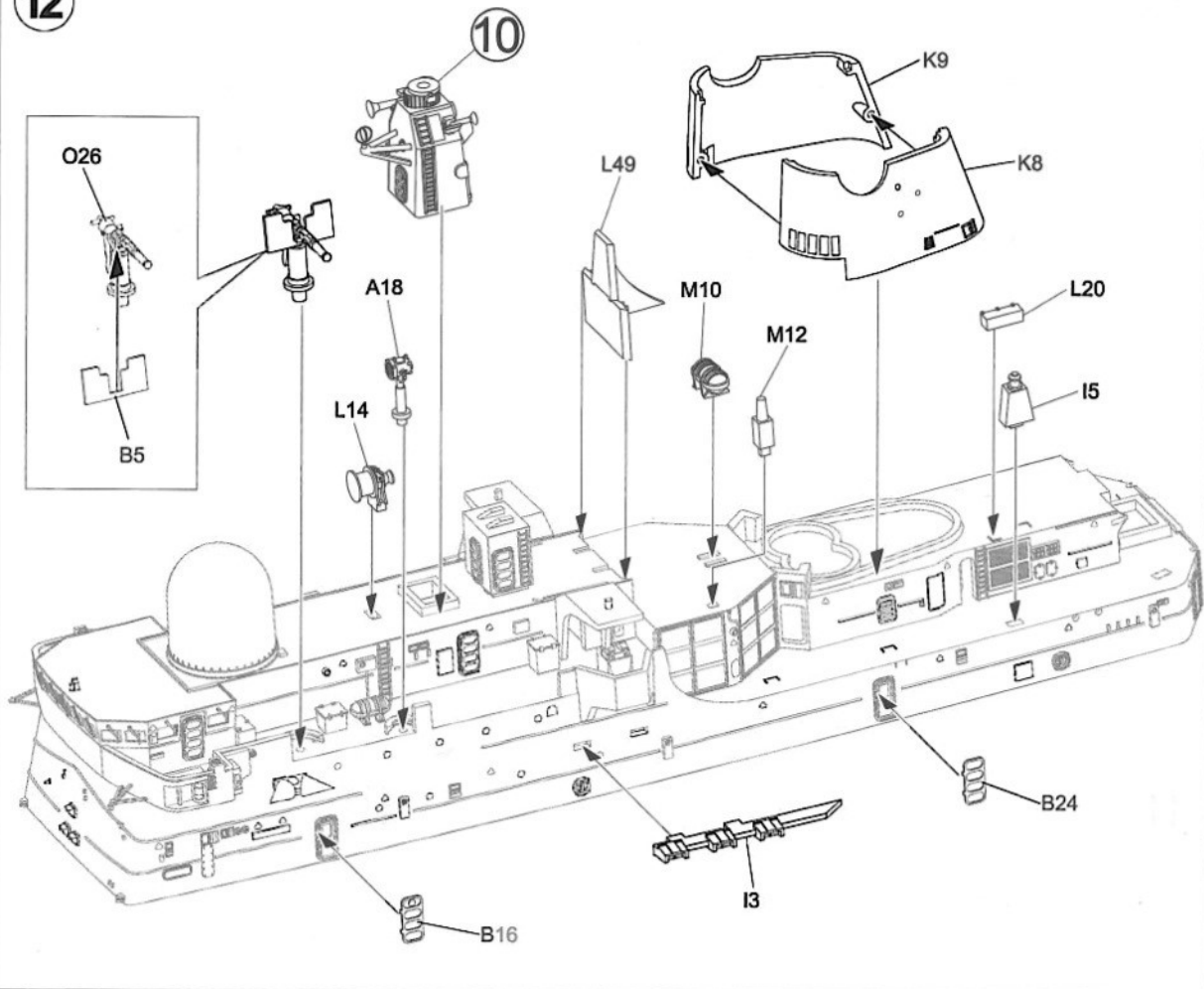
10



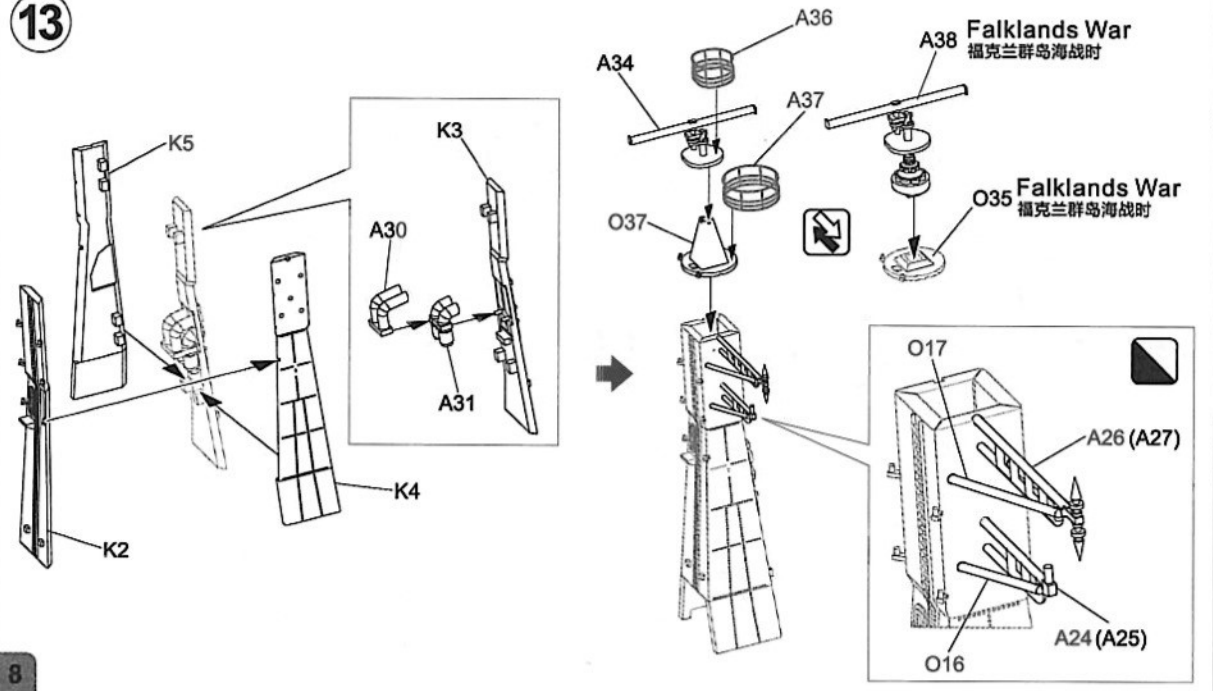
11



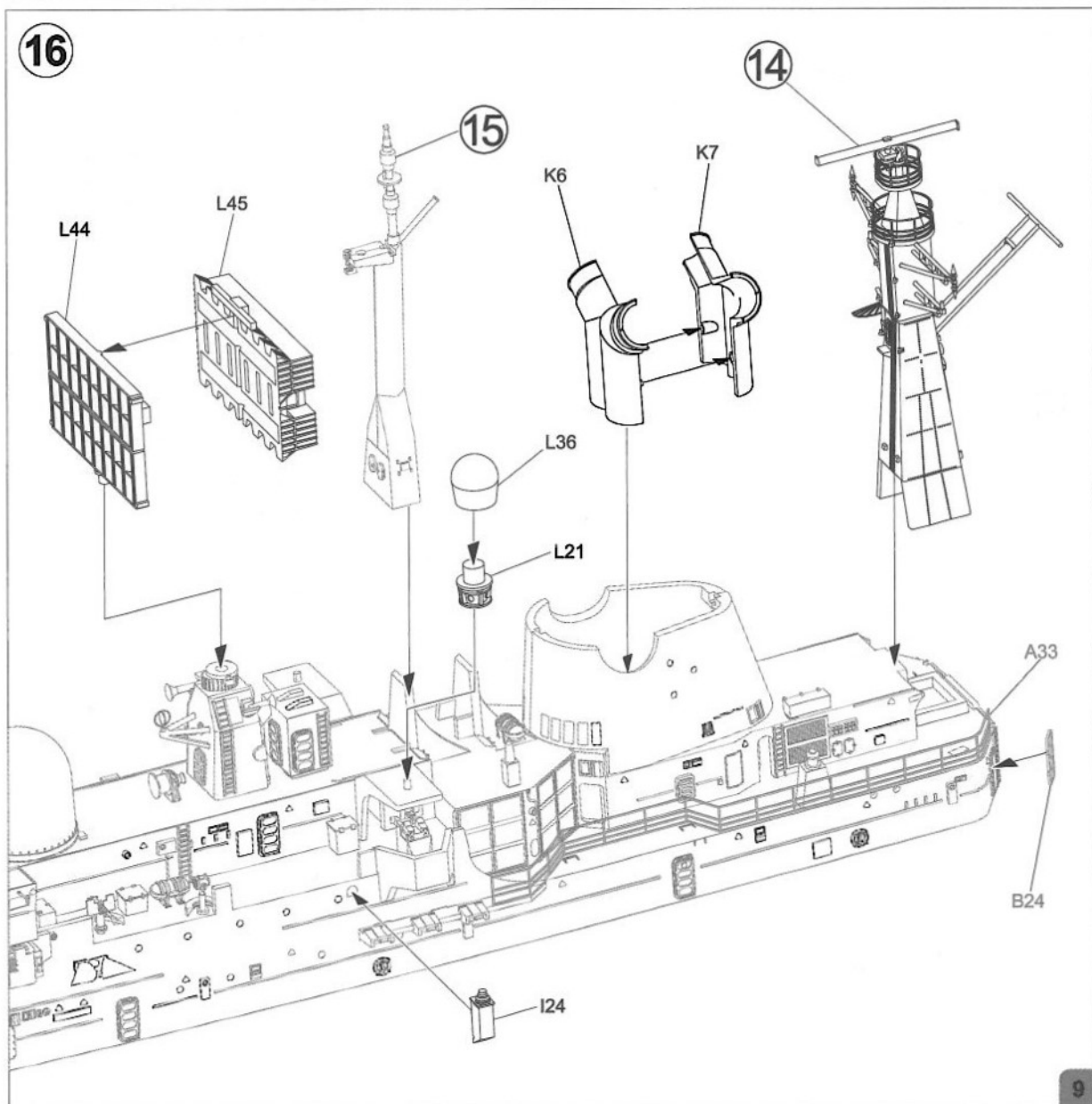
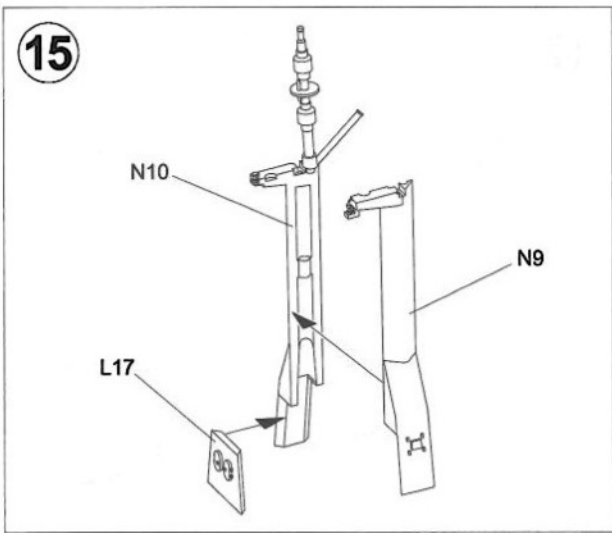
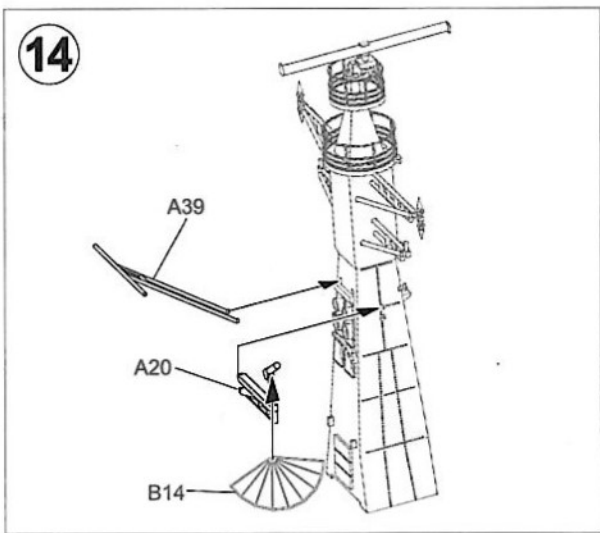
12

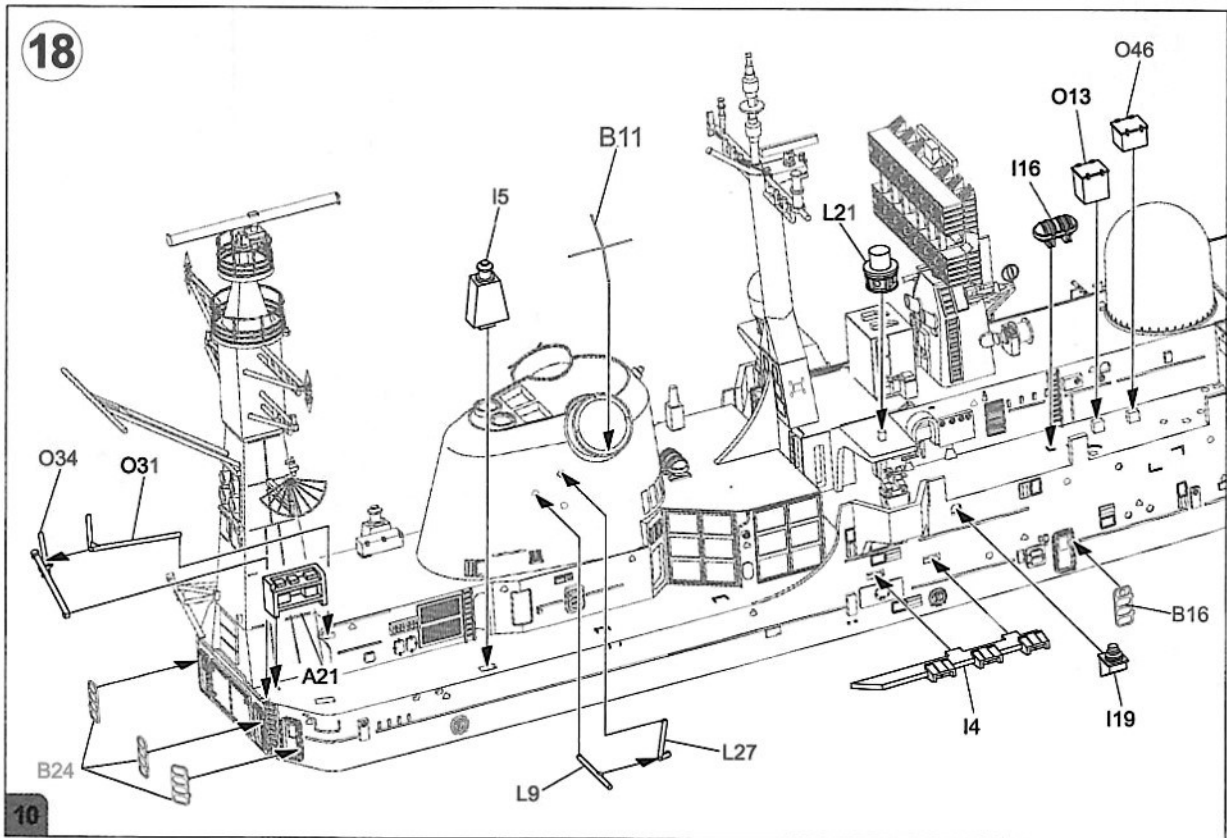
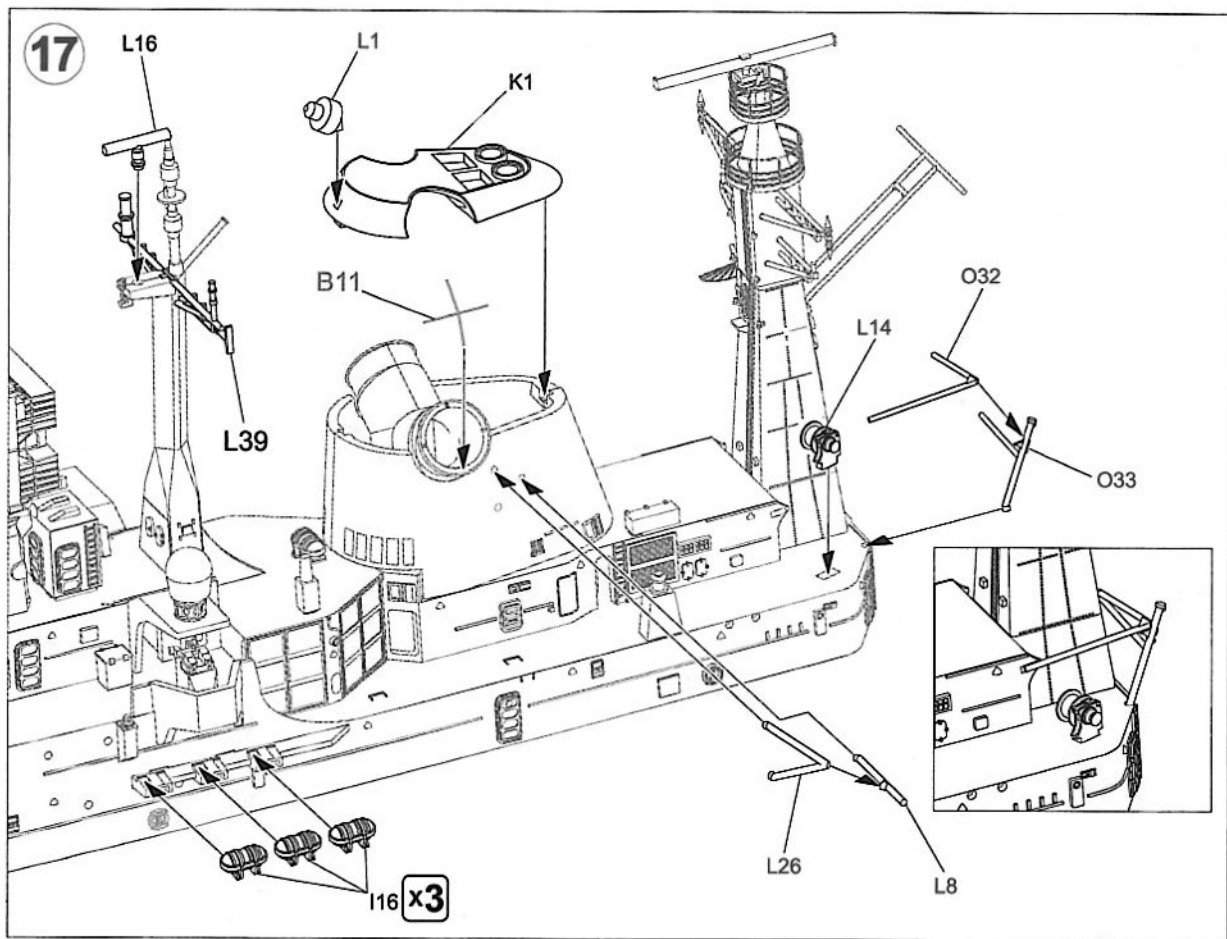


13

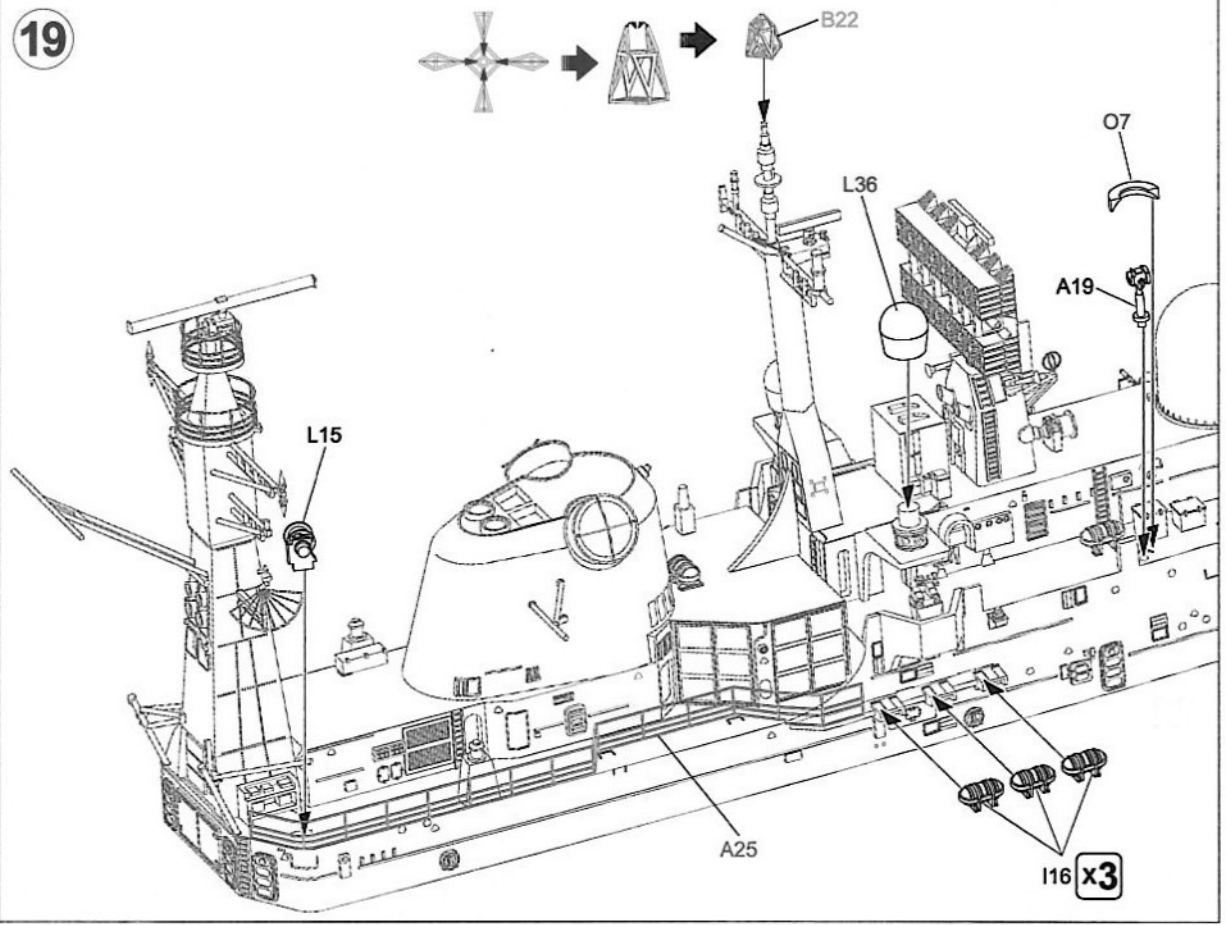




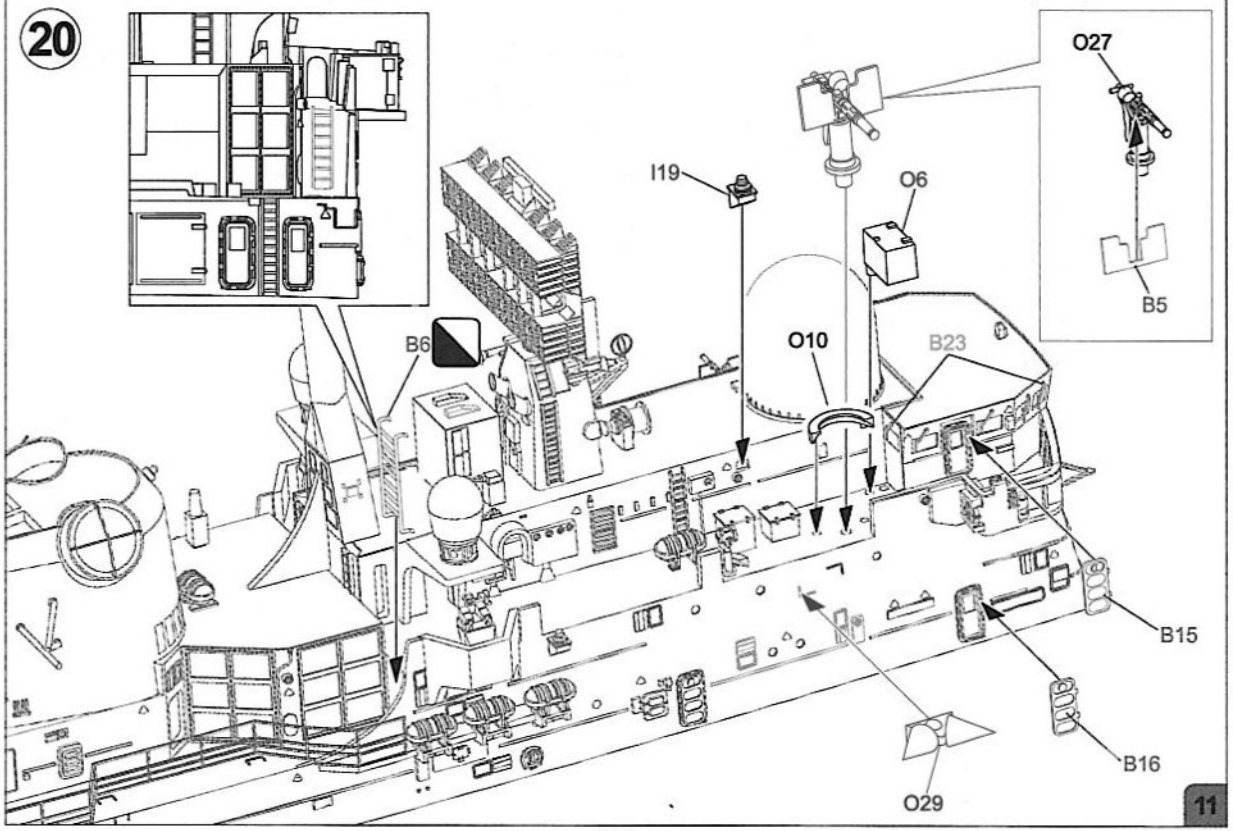




19



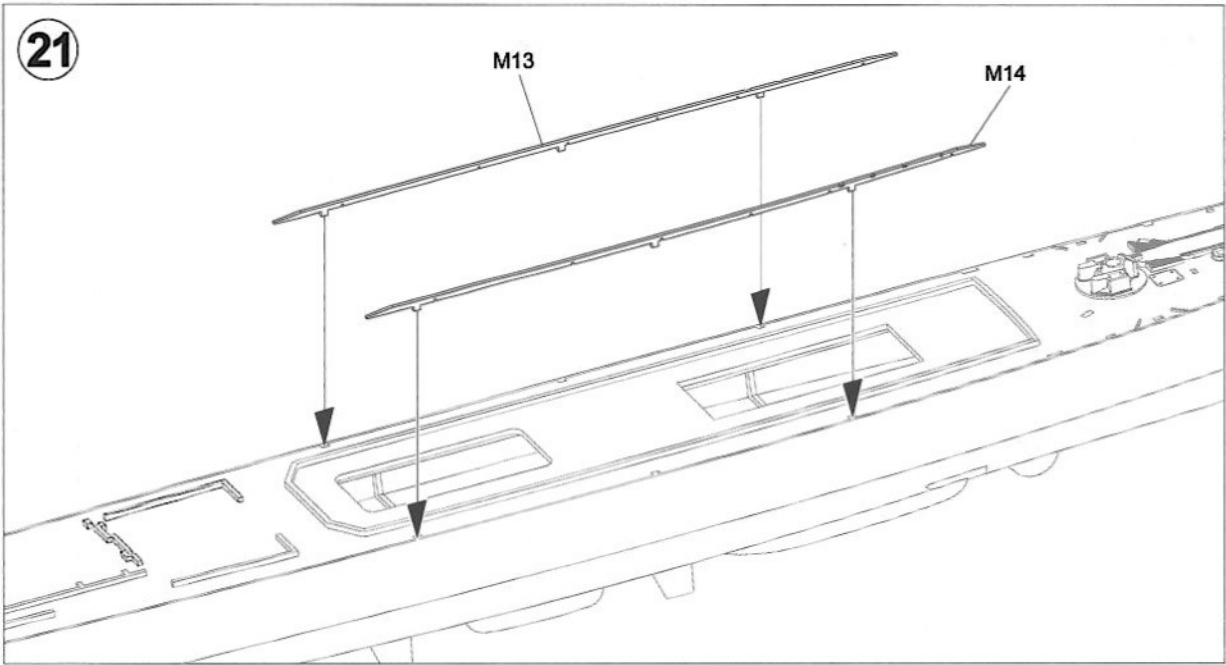
20



21

M13

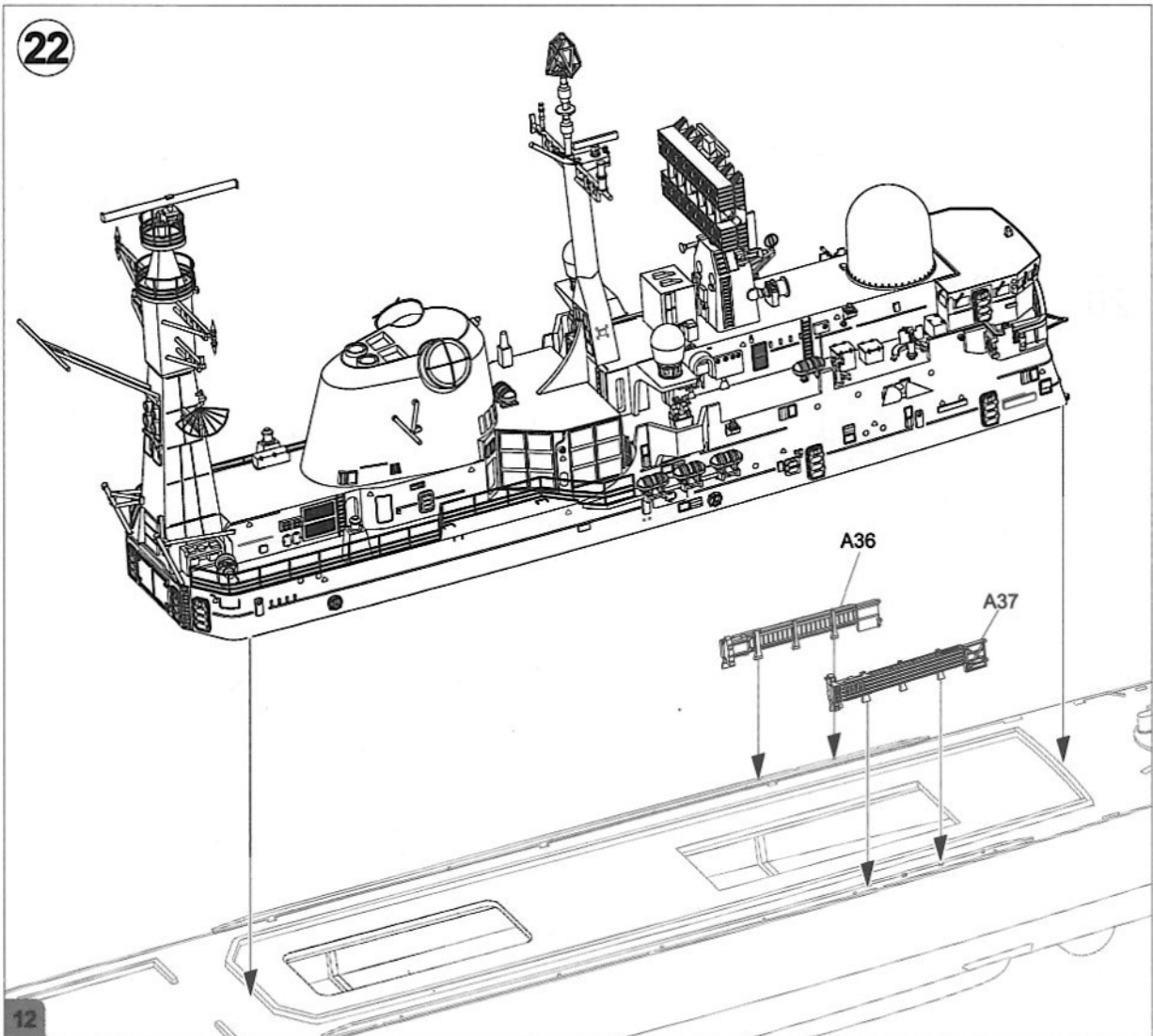
M14



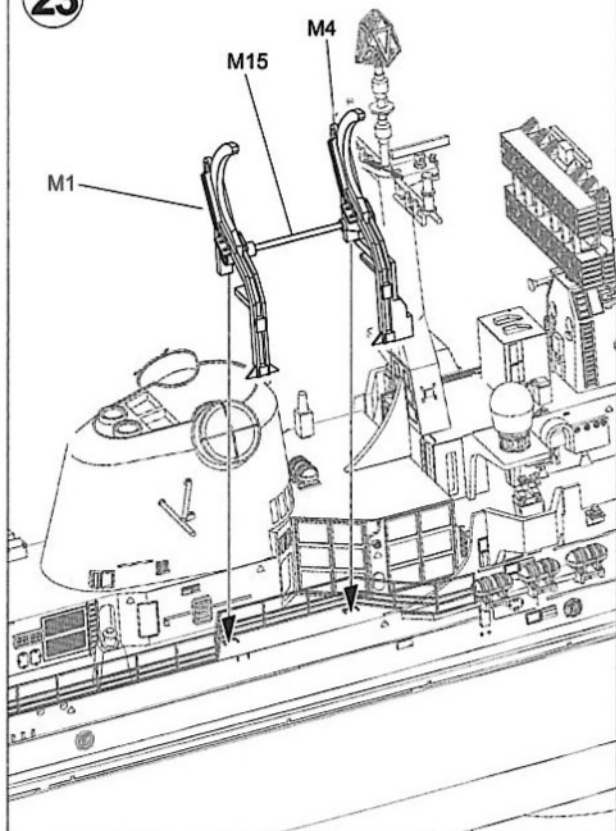
22

A36

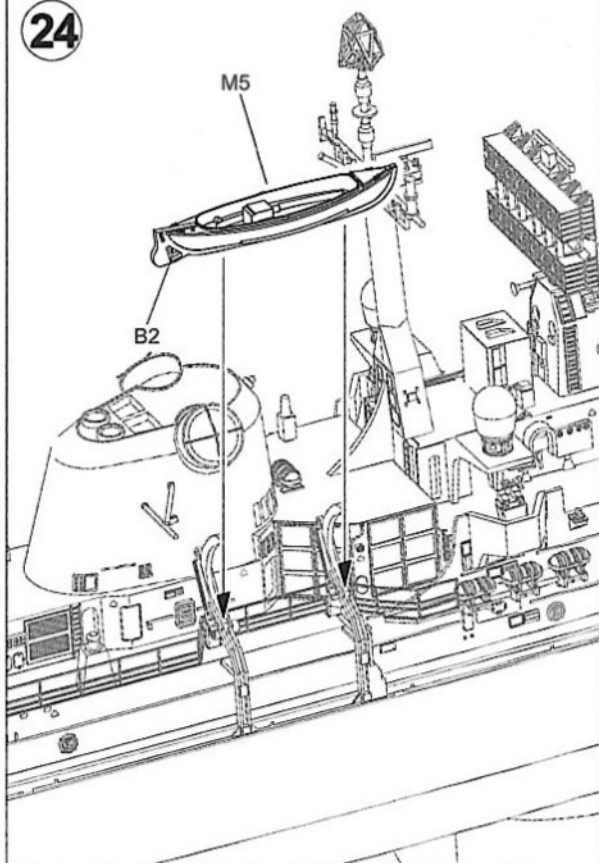
A37



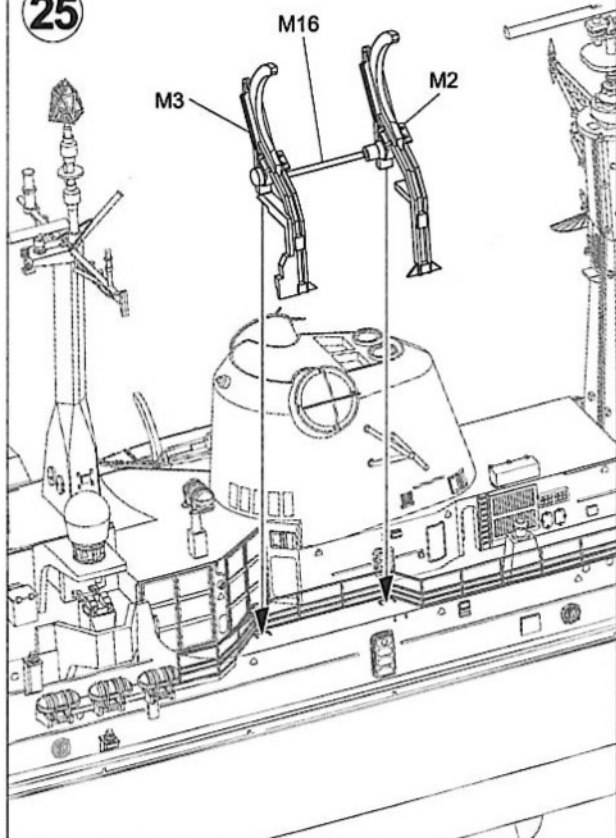
23



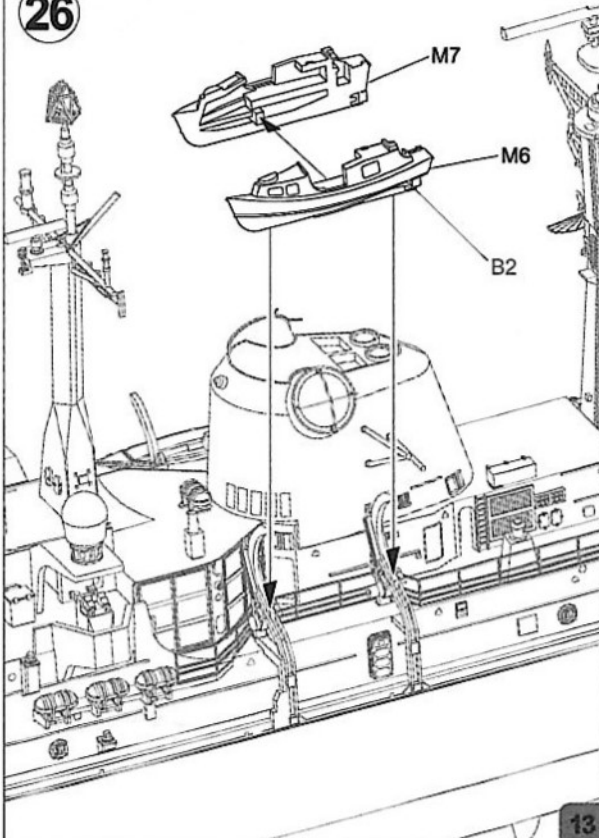
24



25

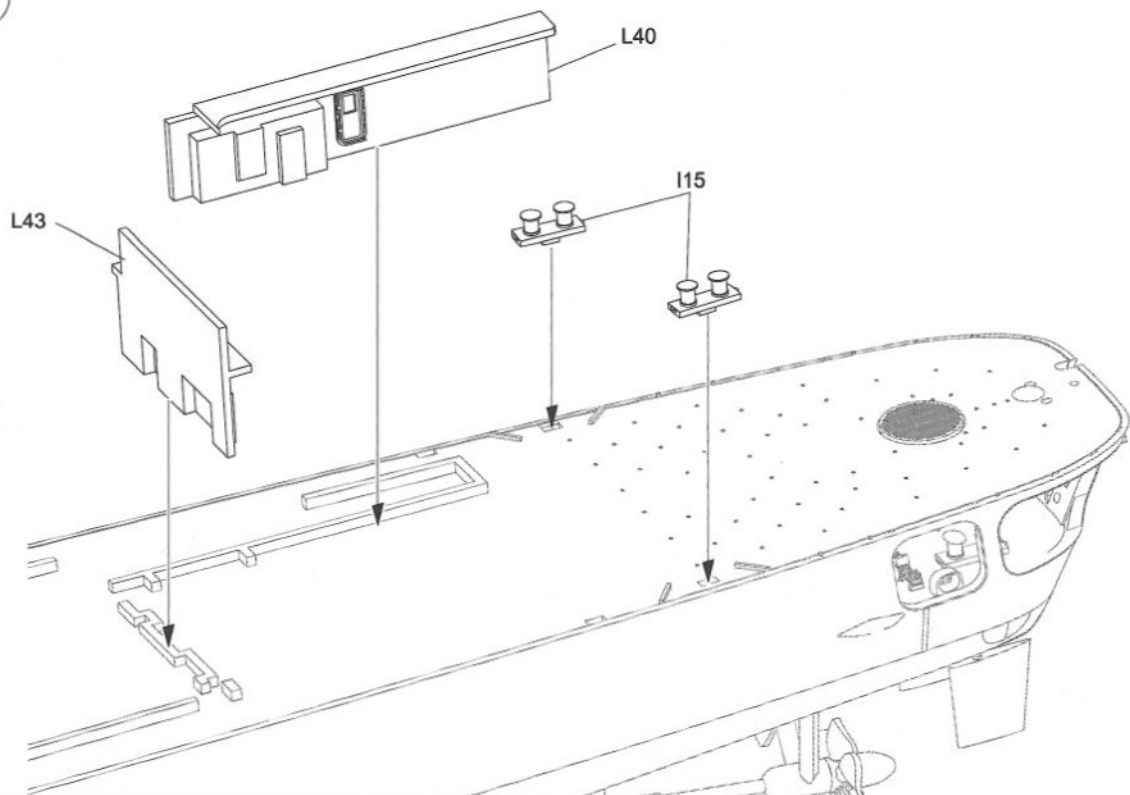


26

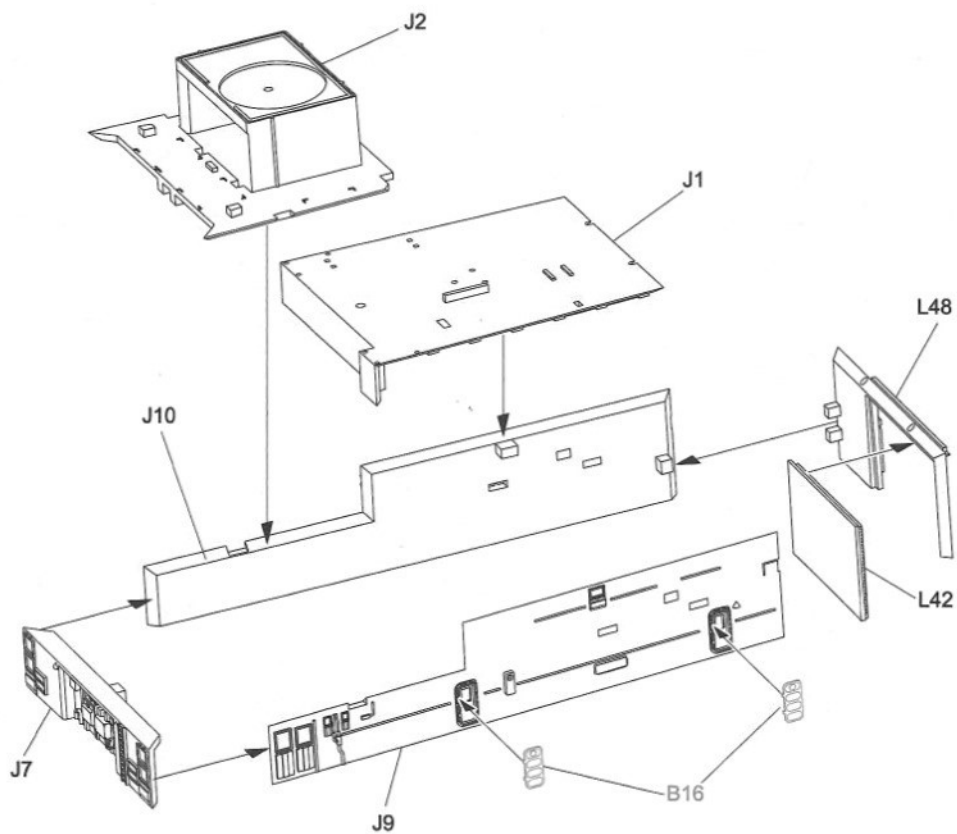




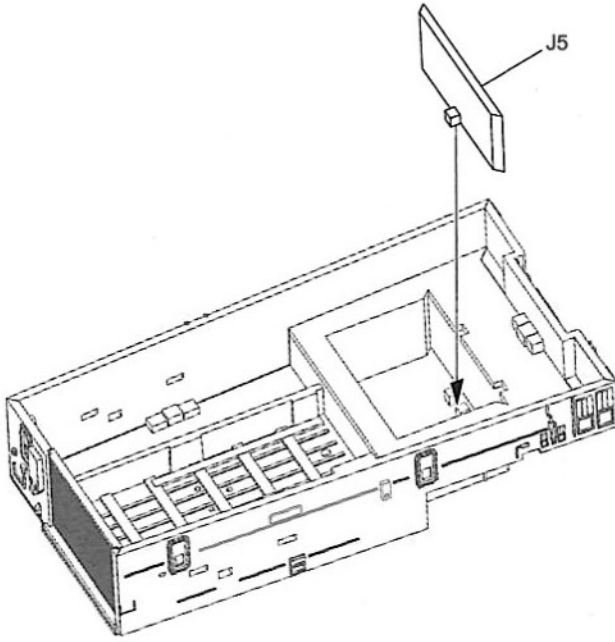
27



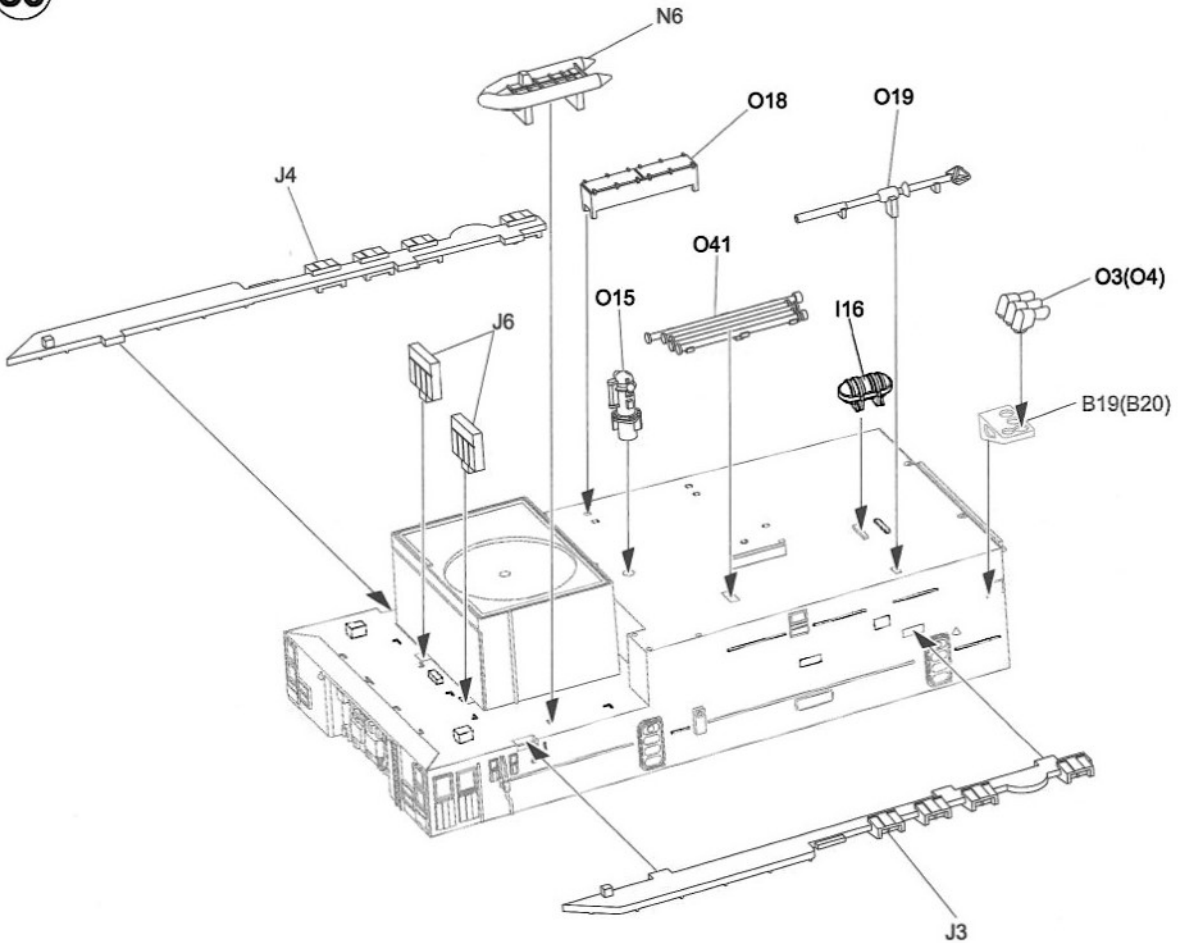
28



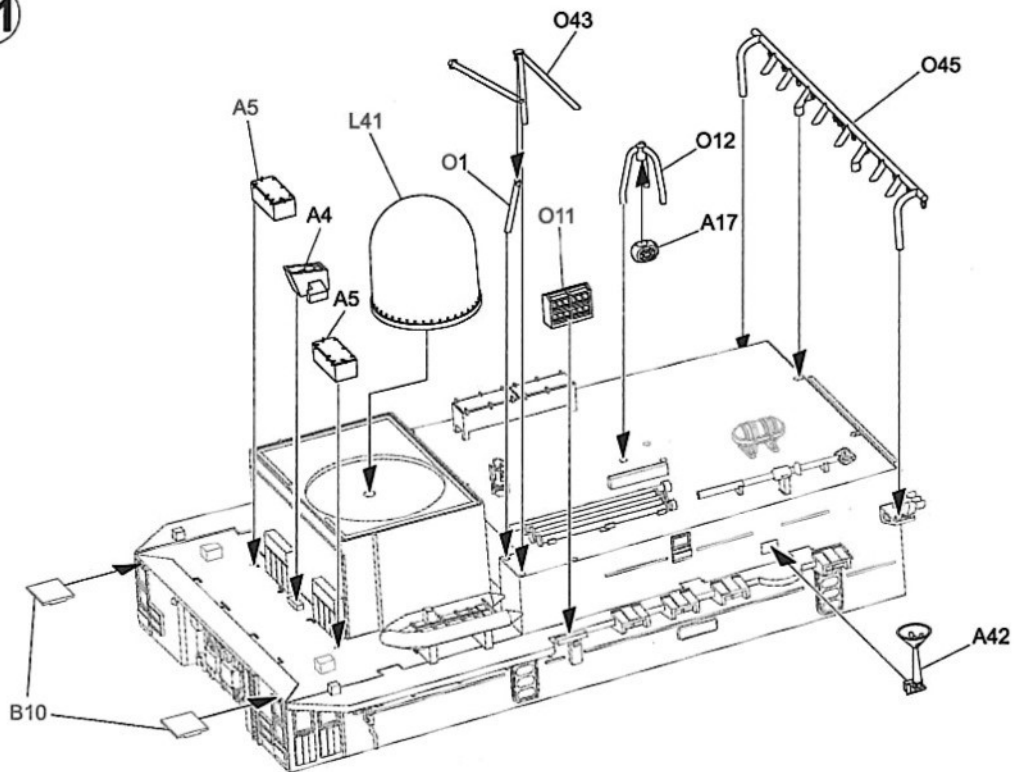
29



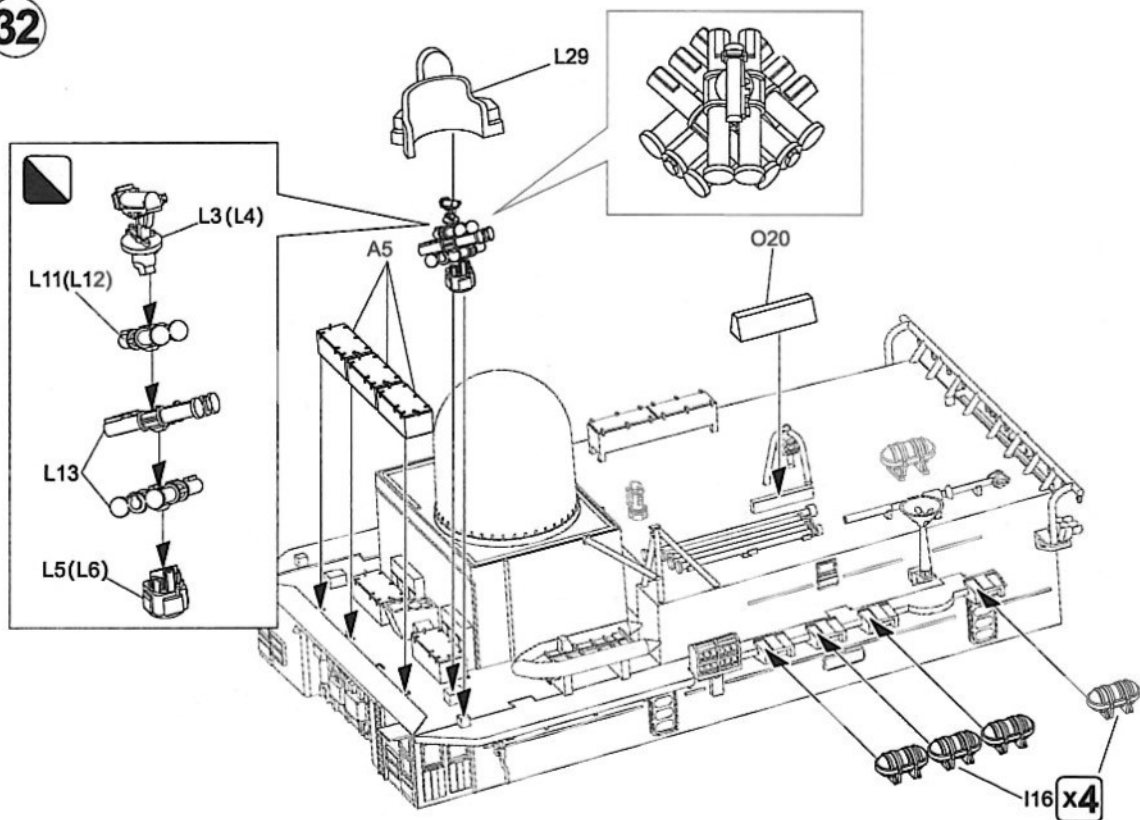
30



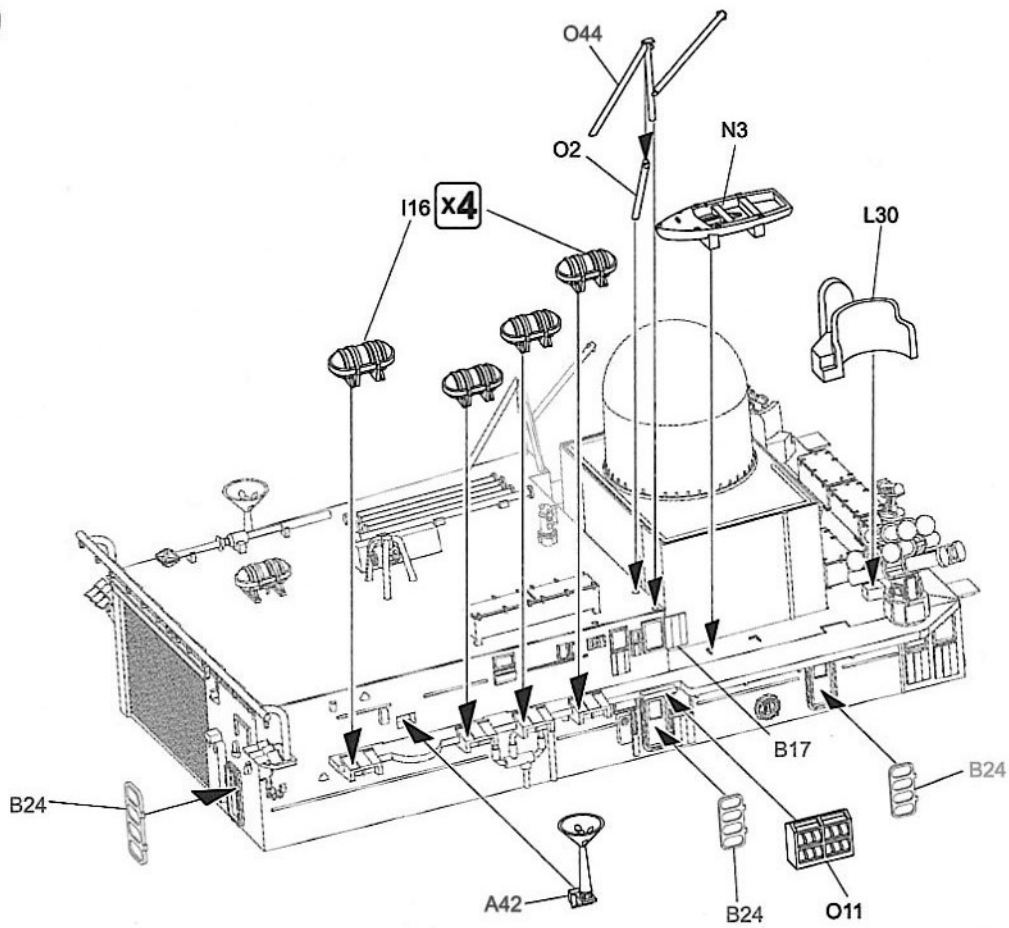
31



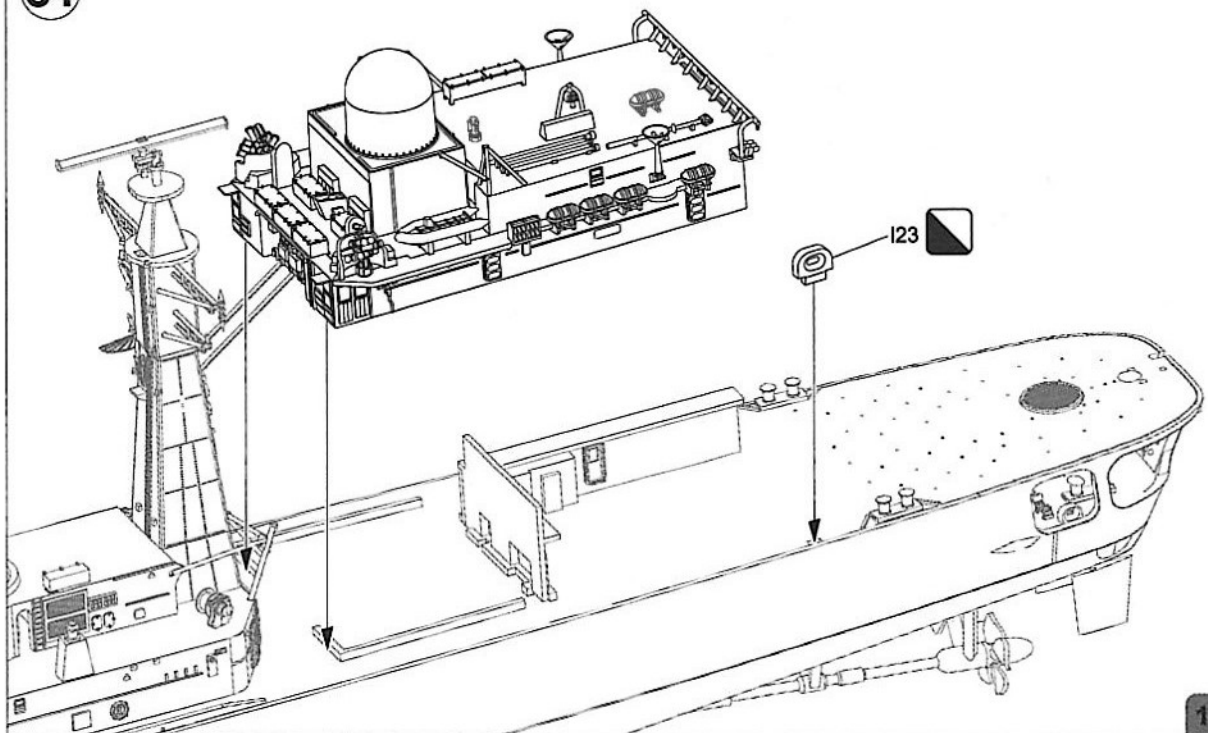
32



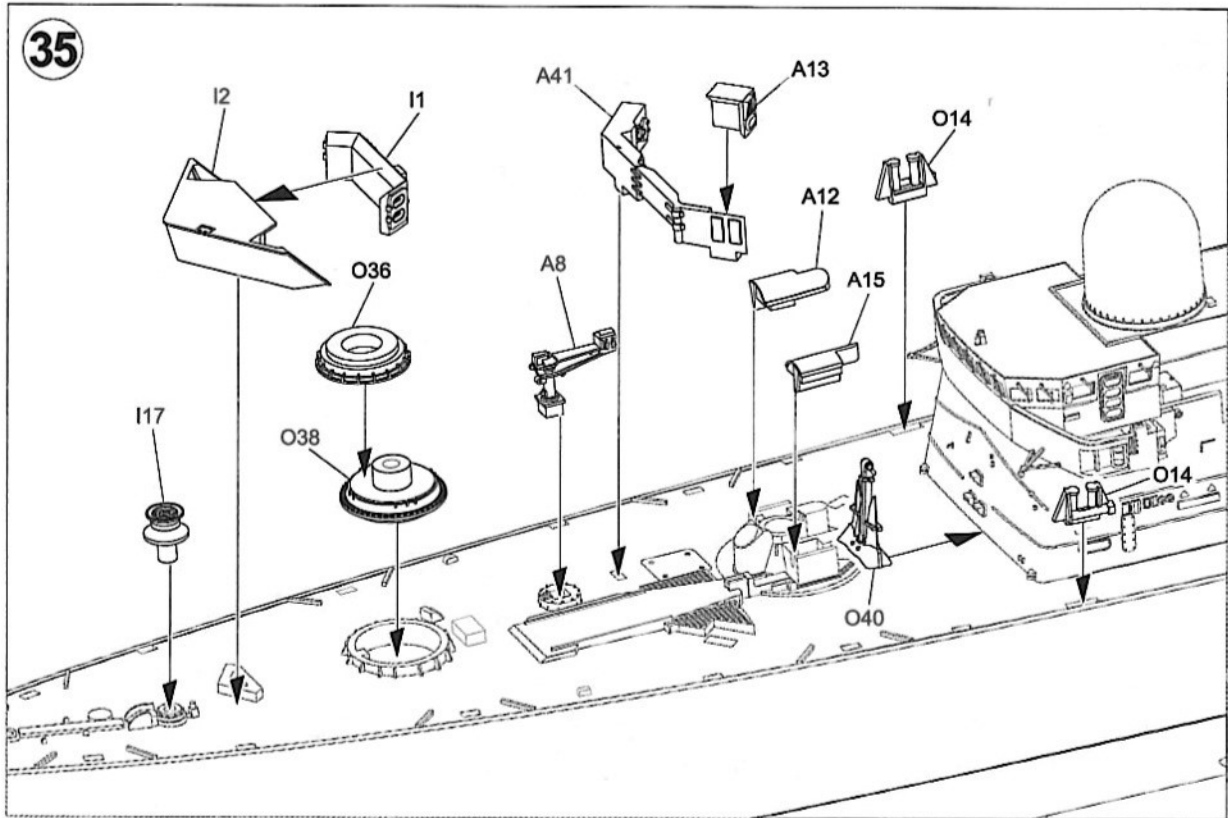
33



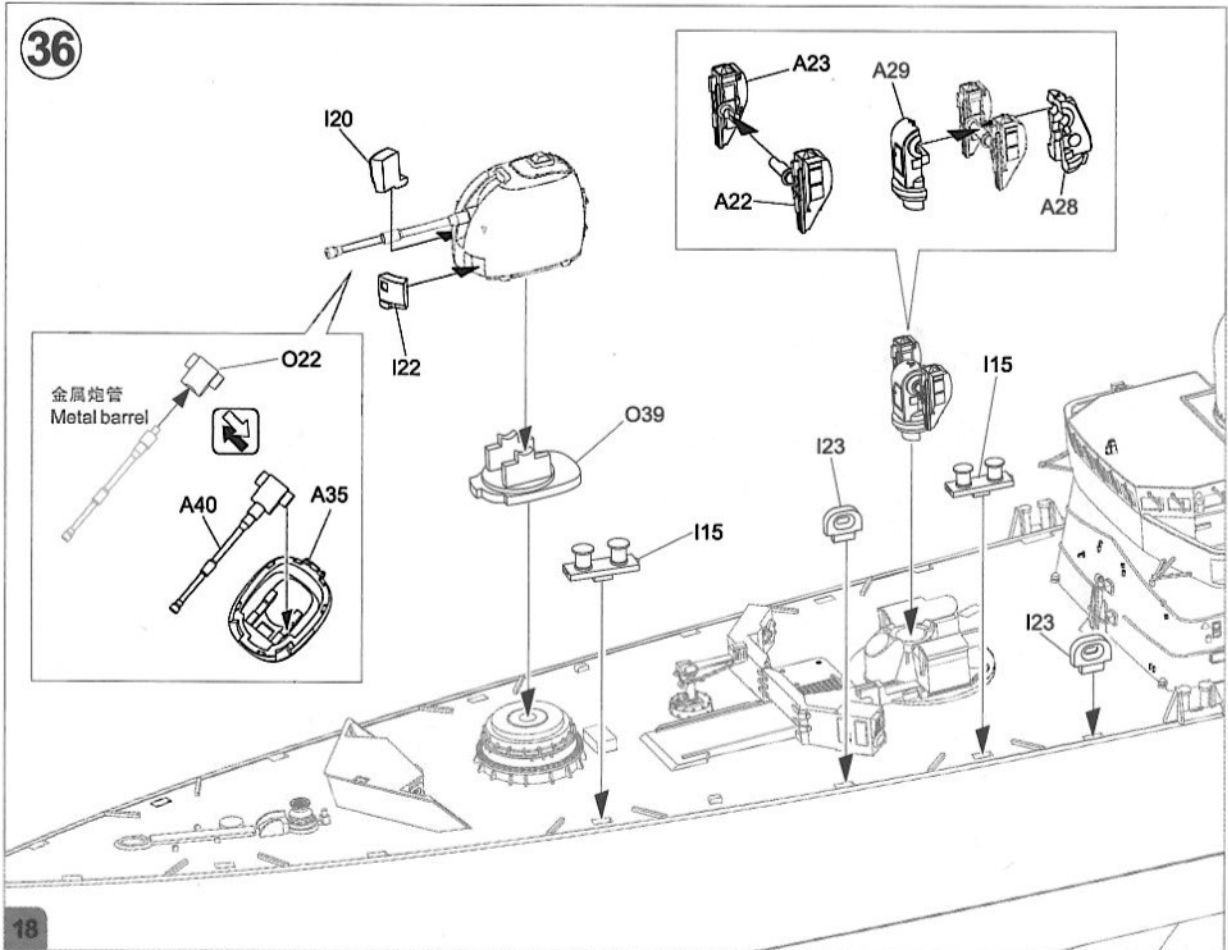
34



35

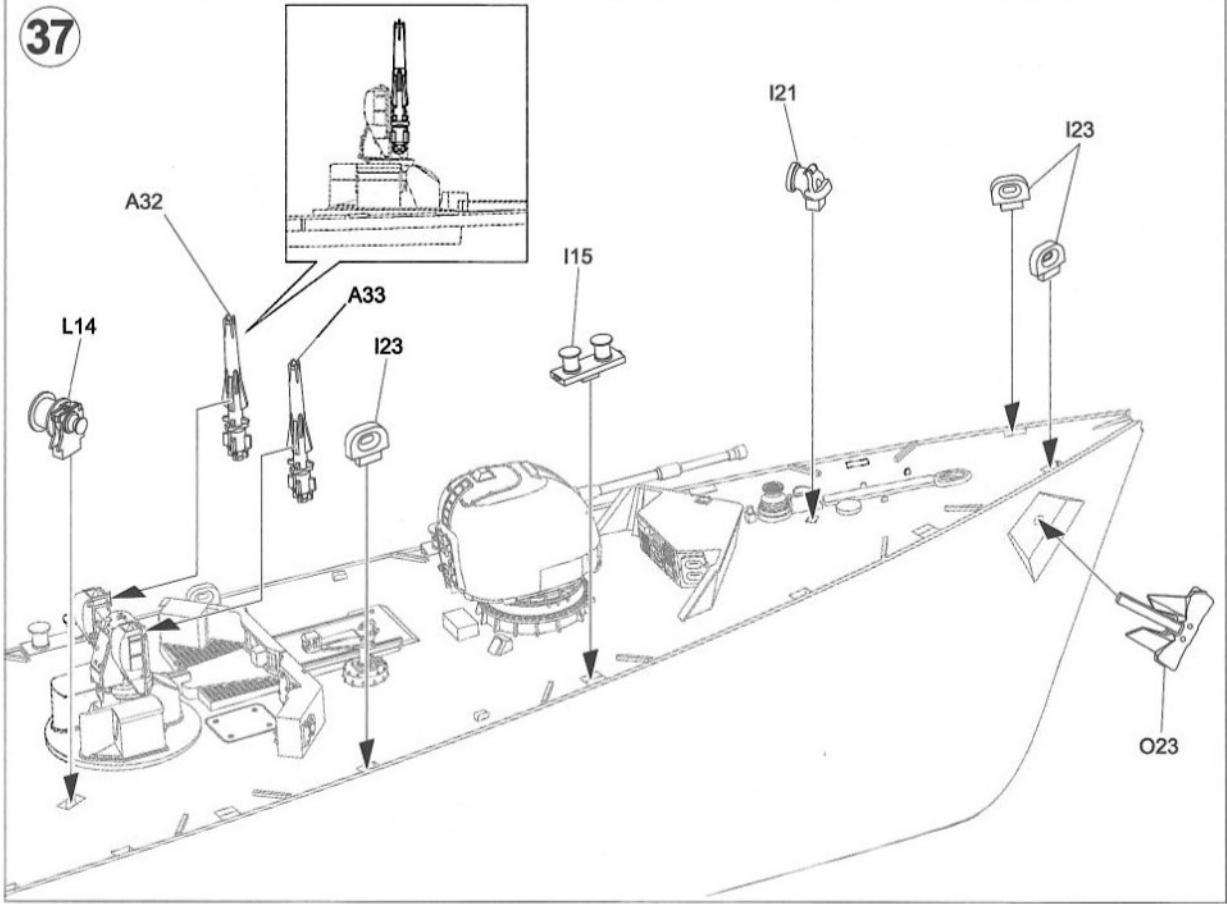


36

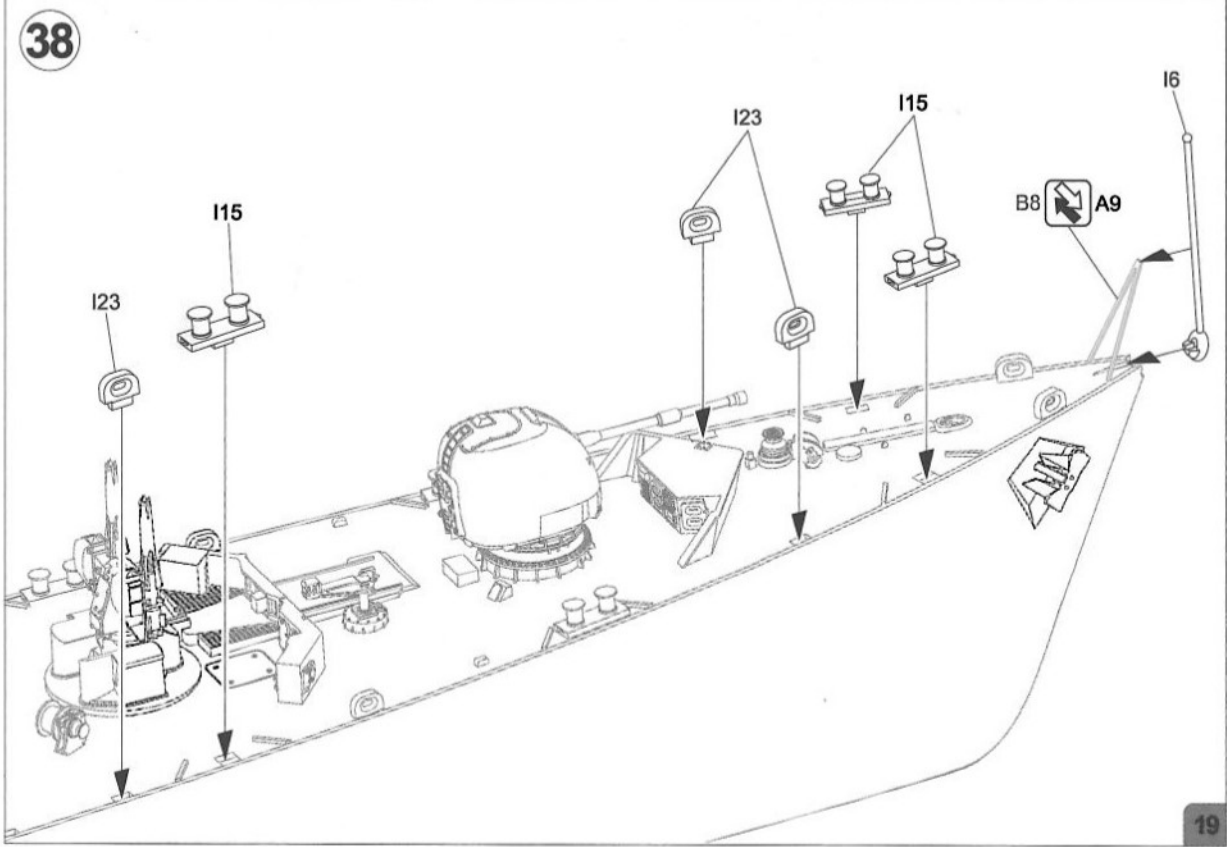




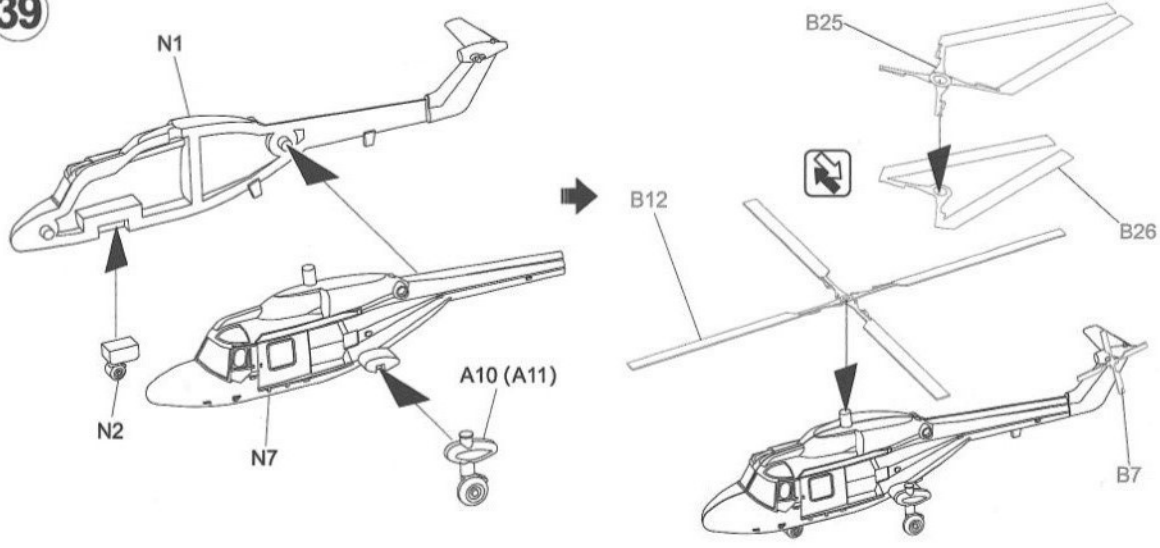
37



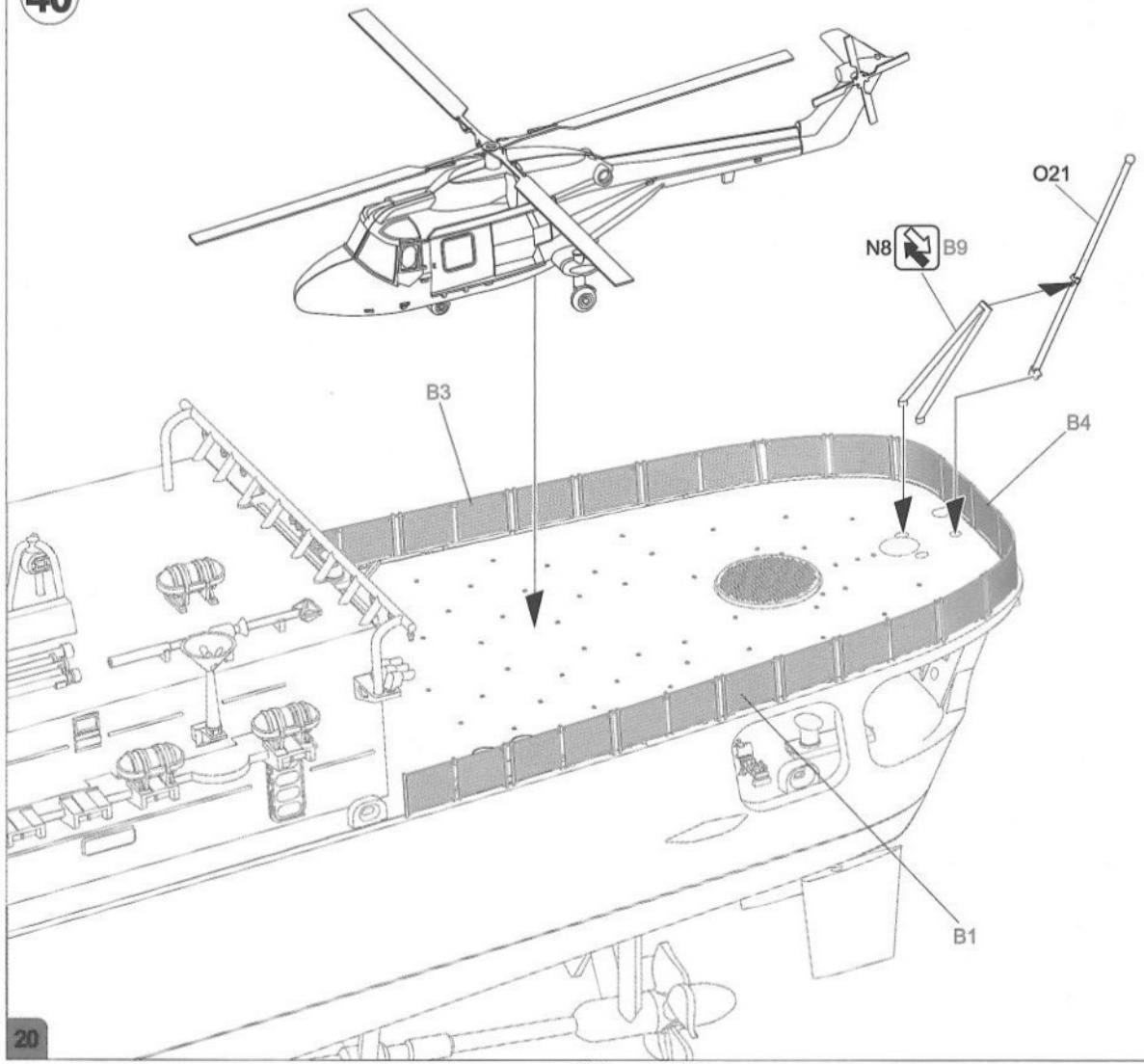
38



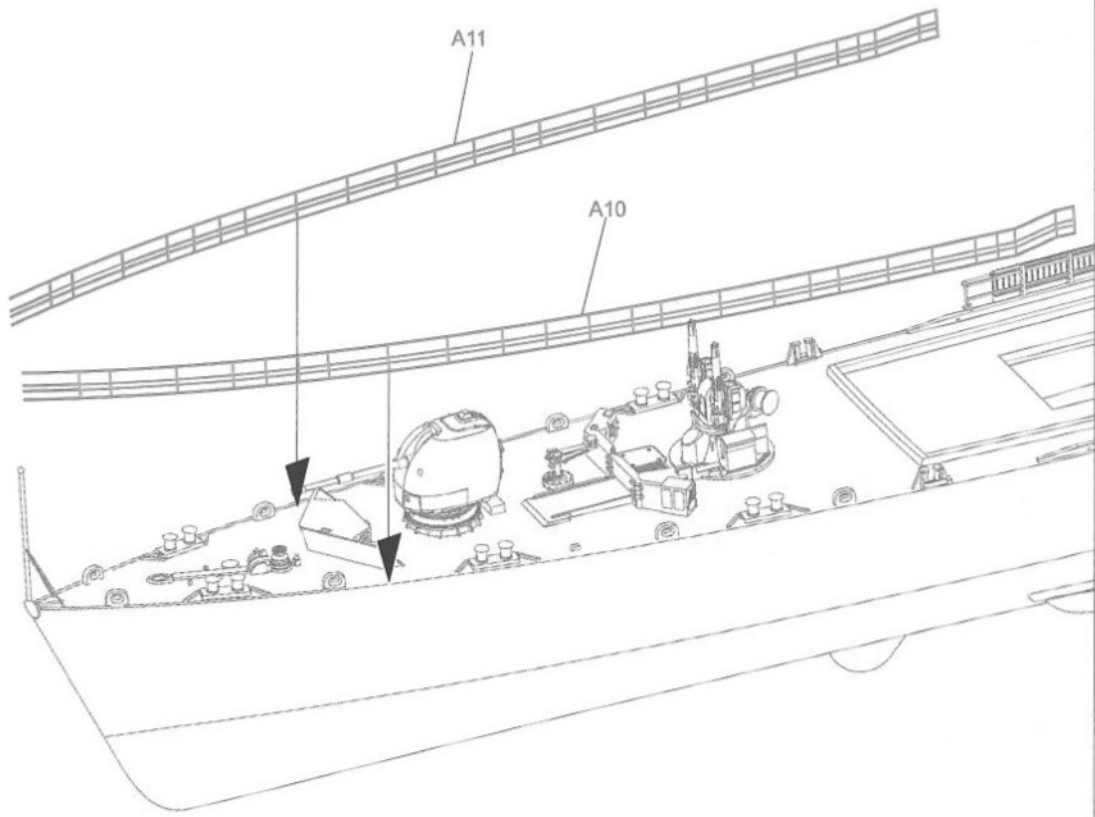
39



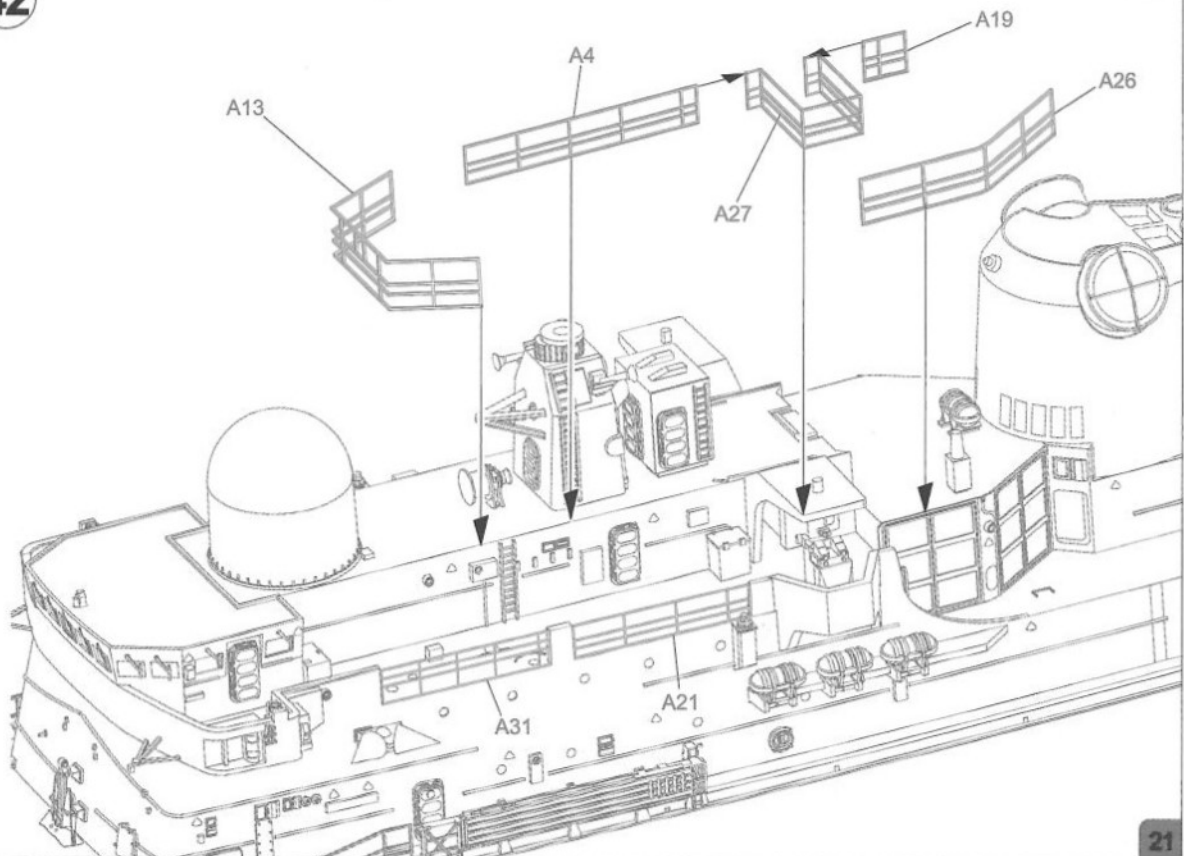
40



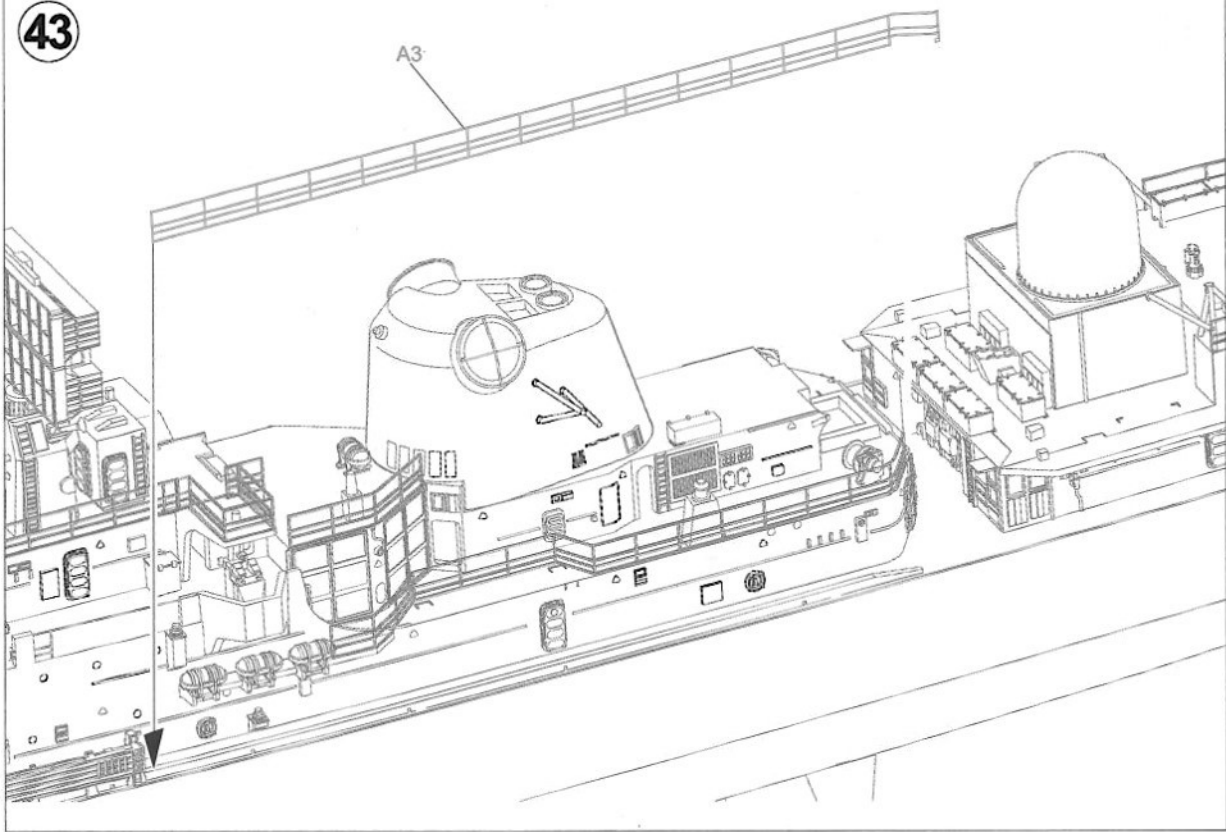
41



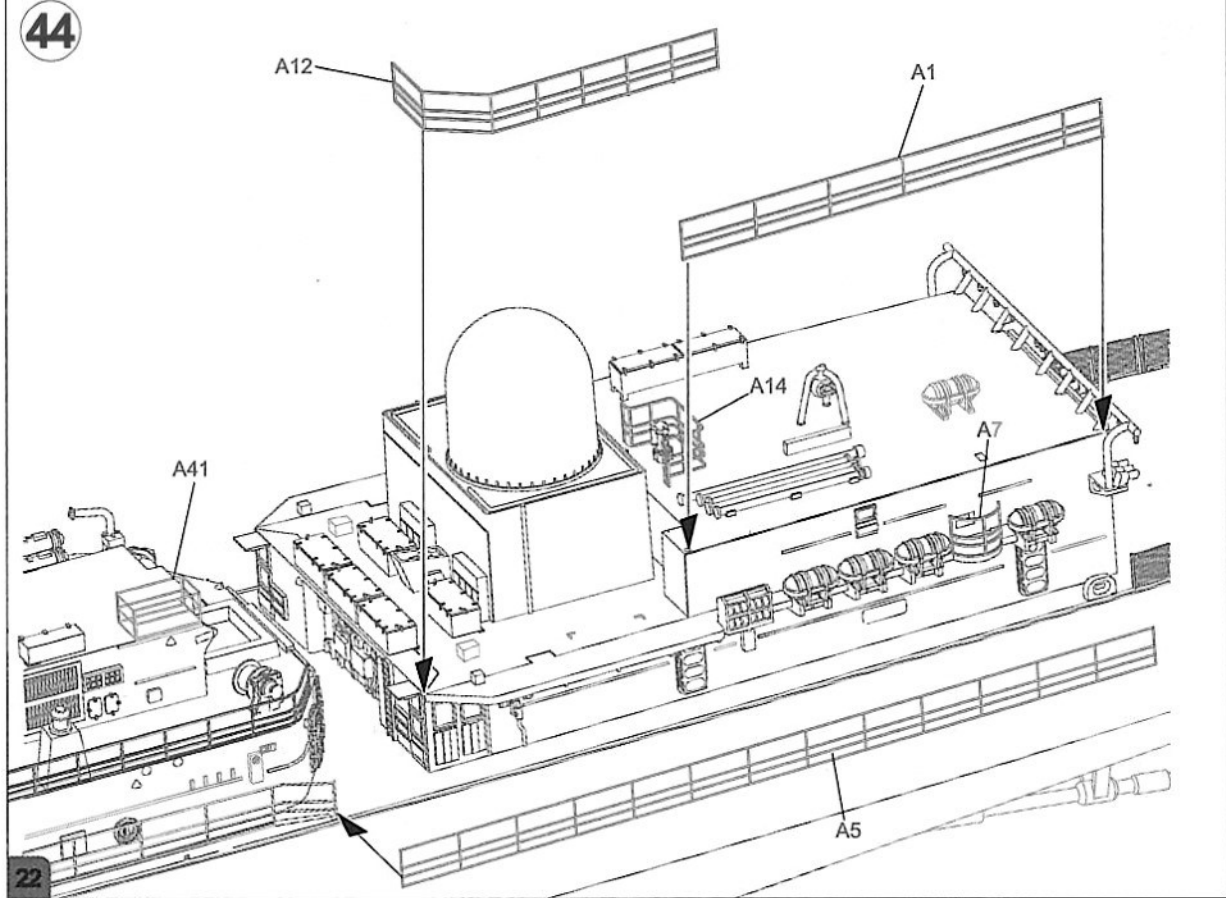
42



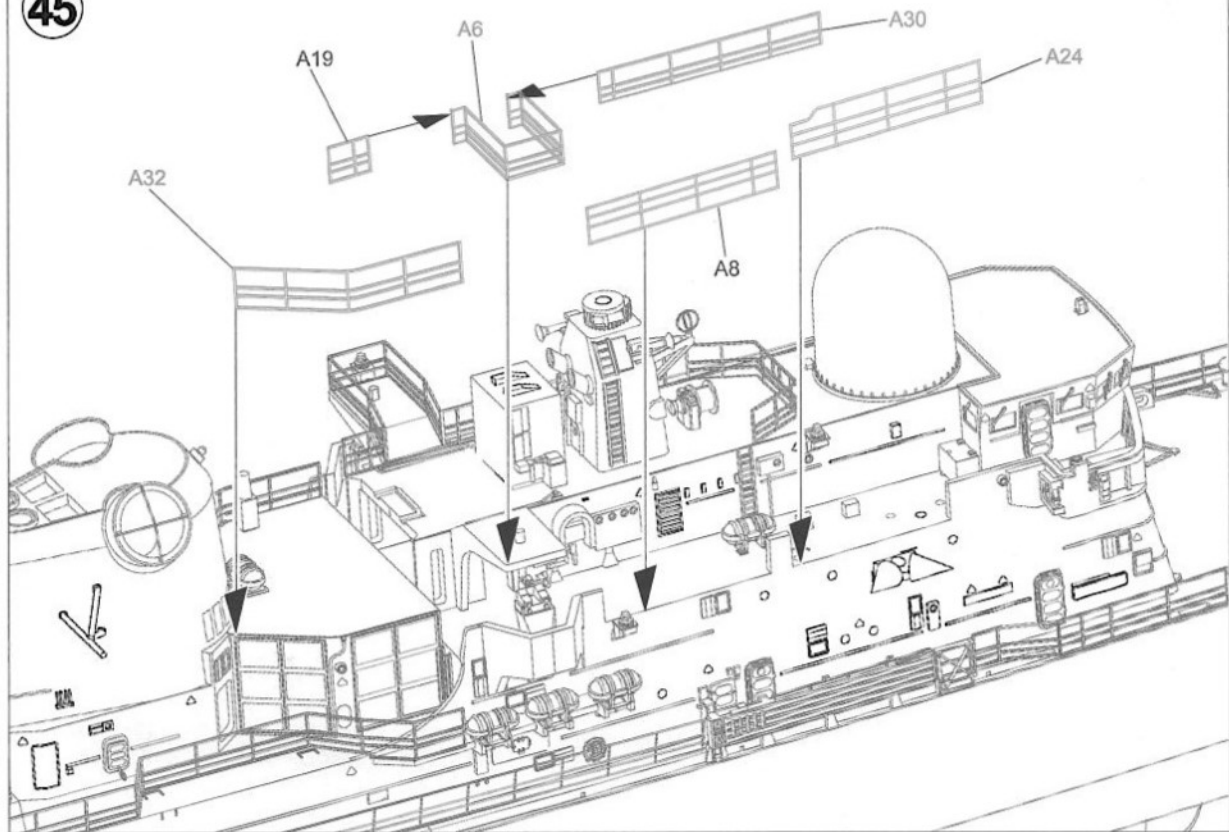
43



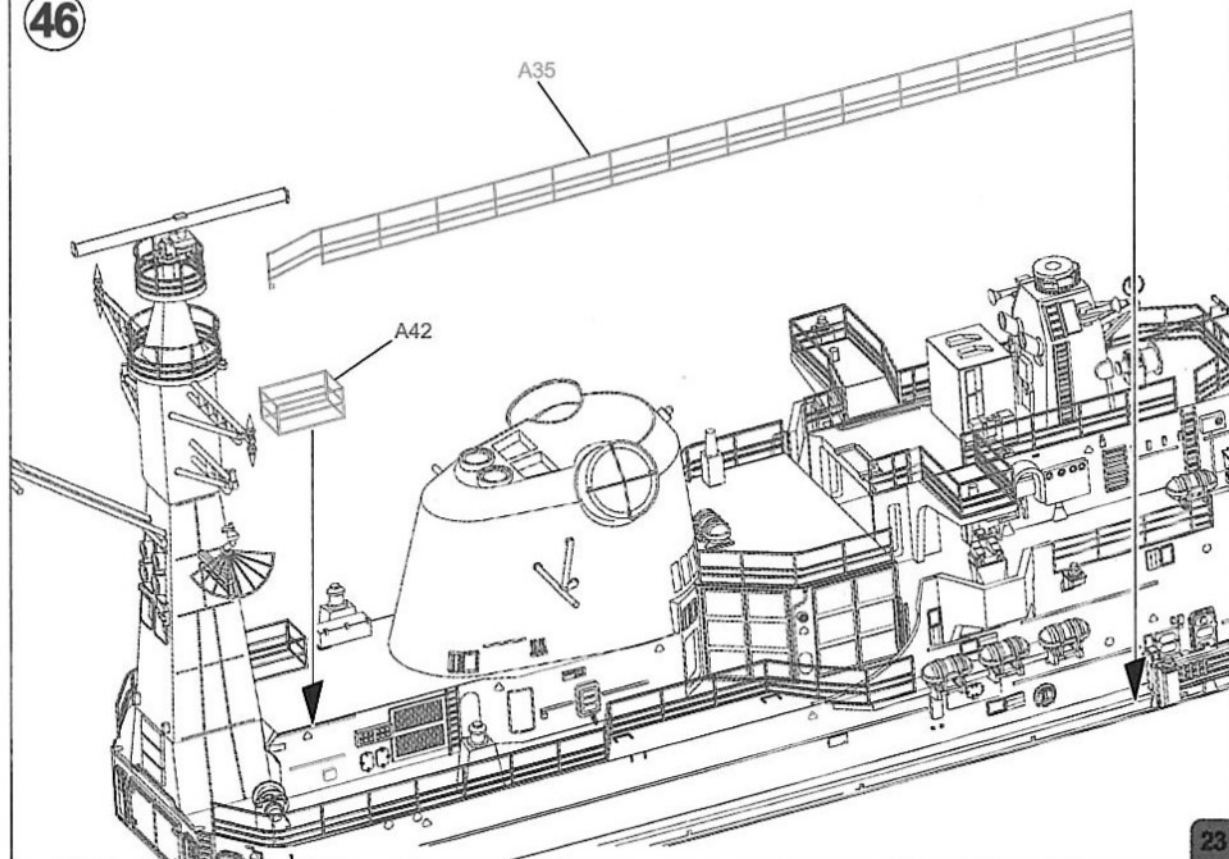
44



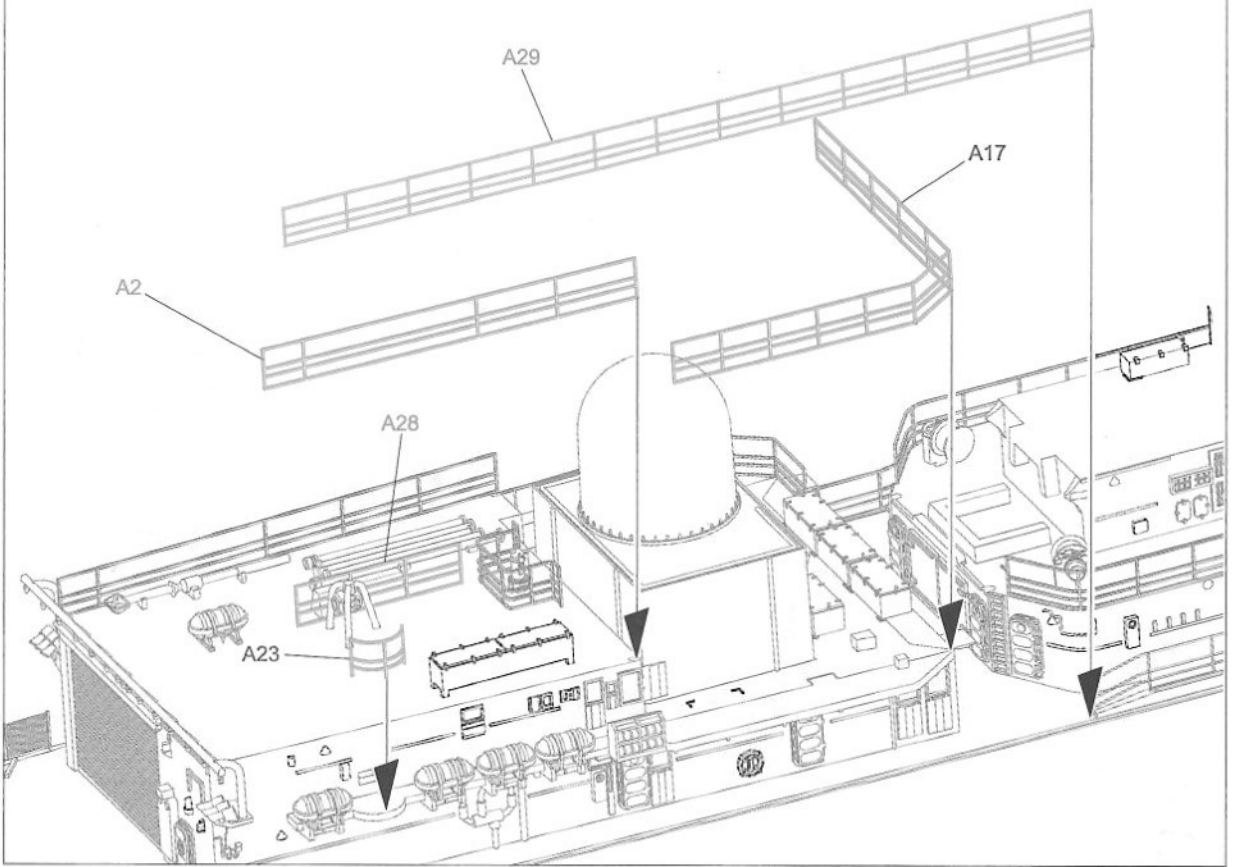
45

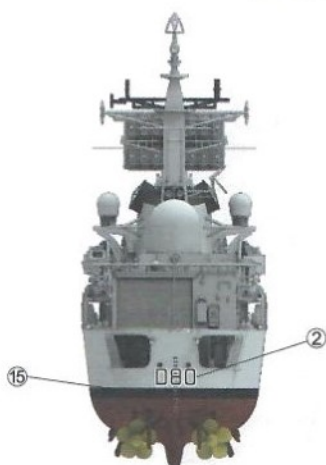
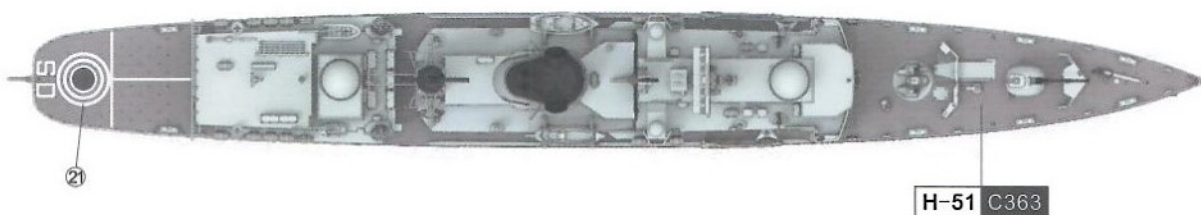
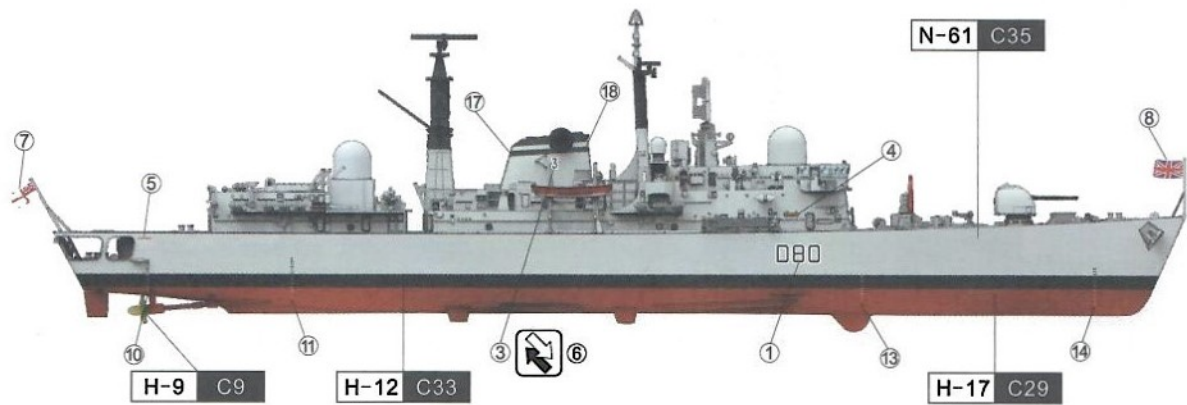


46



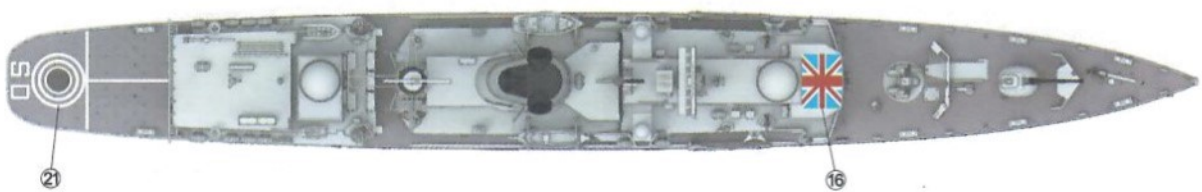
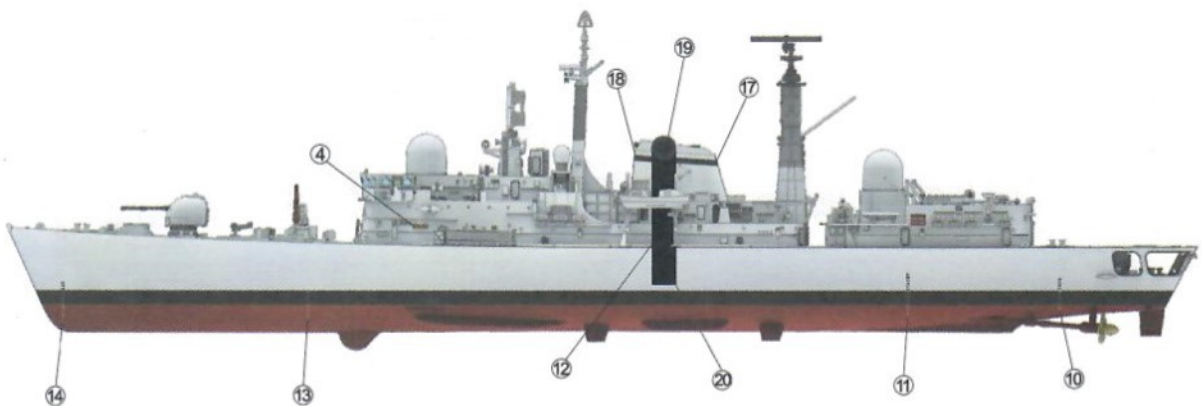
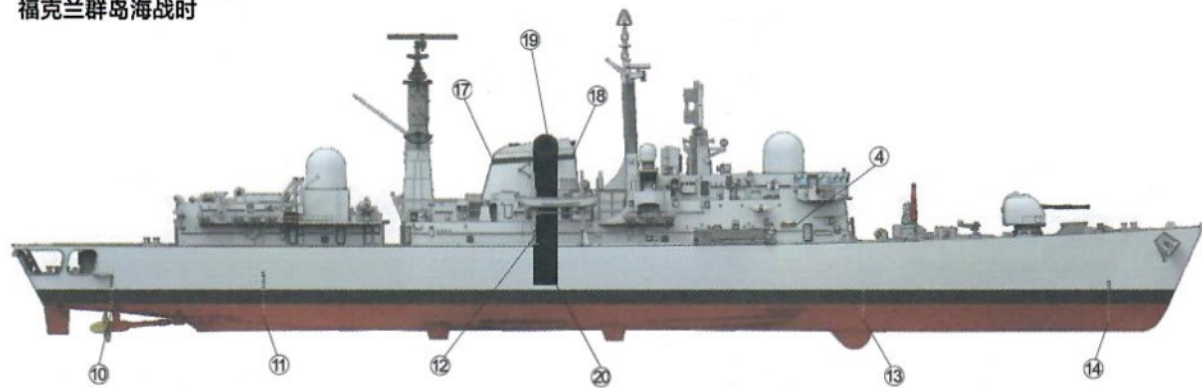






# Falklands War

福克兰群岛海战时



## Print

	Color	GSI	TAMIYA	Vallejo
灰白	Gray	N-61 C35		
中海灰	Sea Gray	H-51 C363	XF-54	
黑色	Black	H-12 C33	XF-1	70950
舰底红	Hull Red	H-17 C29	XF-9	70985
金色	Cold	H-9 C9	XF-12	70878

The logo for FOREART is displayed in a bold, white, sans-serif font against a dark blue rectangular background. The letter 'A' is stylized with a red triangle pointing upwards from its base.



