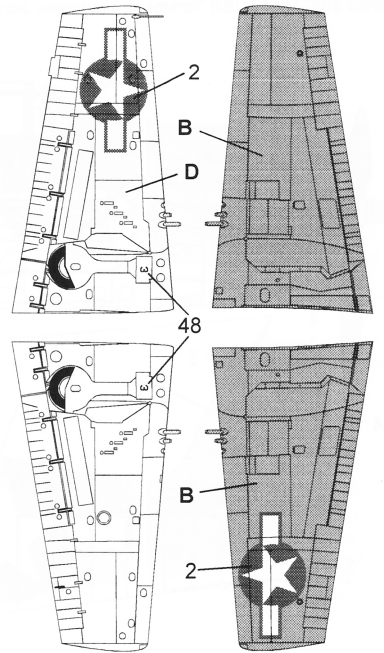
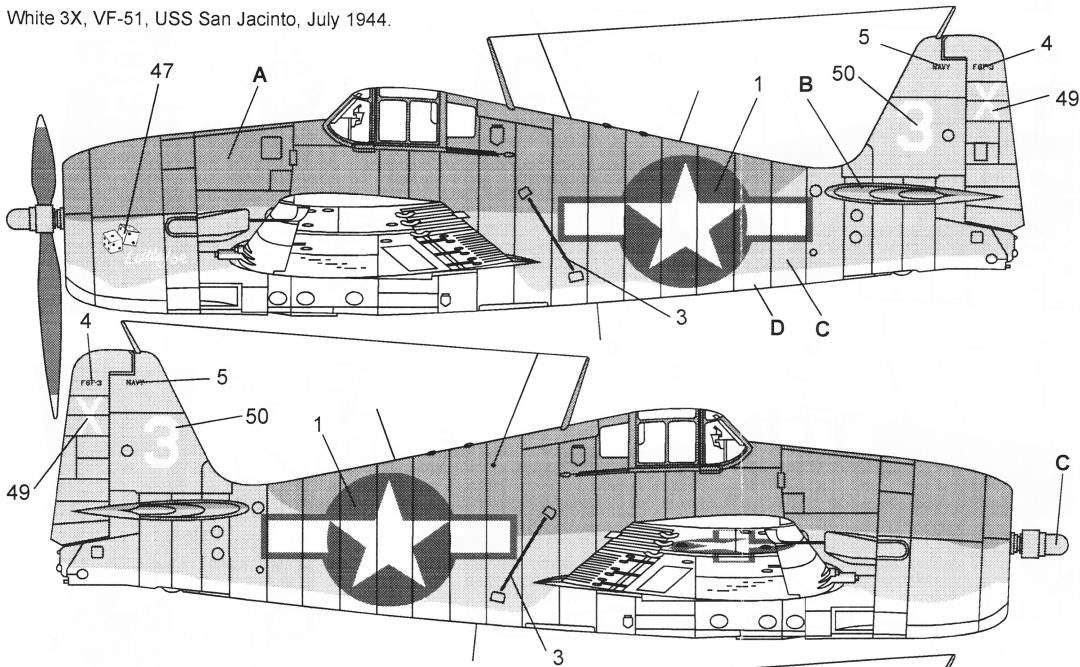
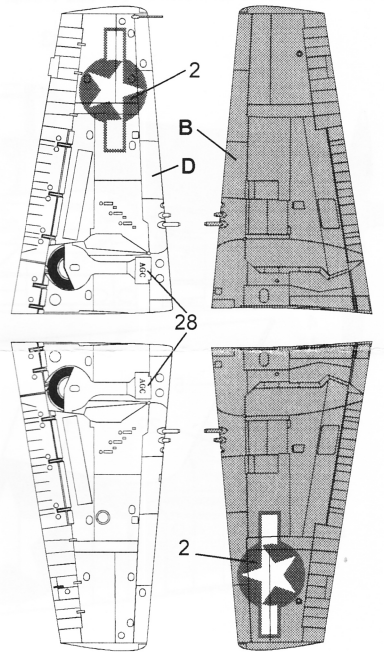
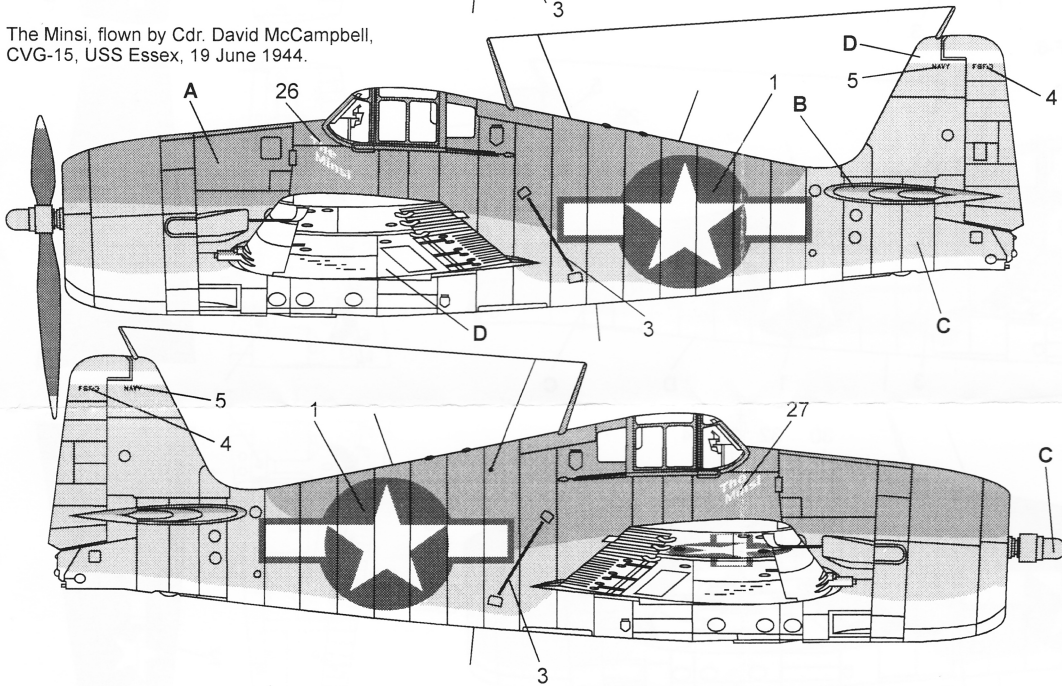


White 3X, VF-51, USS San Jacinto, July 1944.



The Minsi, flown by Cdr. David McCampbell, CVG-15, USS Essex, 19 June 1944.



Napisy eksploatacyjne
Stenciling

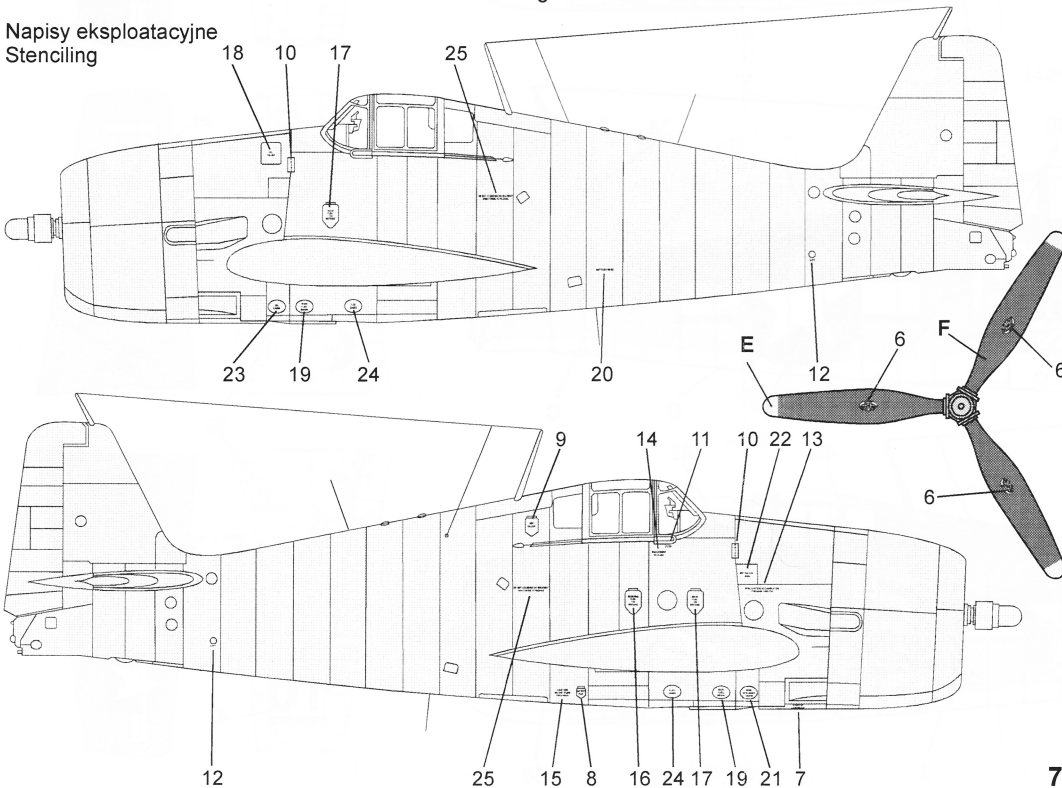


Tabela Kolorów:
Colors:

A	Non-Specular Sea Blue	FS 35042
B	Semi-Gloss Sea Blue	FS 25042
C	Non-Specular Intermediate Blue	FS 35164
D	Non-Specular Insignia White	FS 37875
E	Glossy Orange Yellow	FS 13358
F	Non-Specular Black	FS 37038

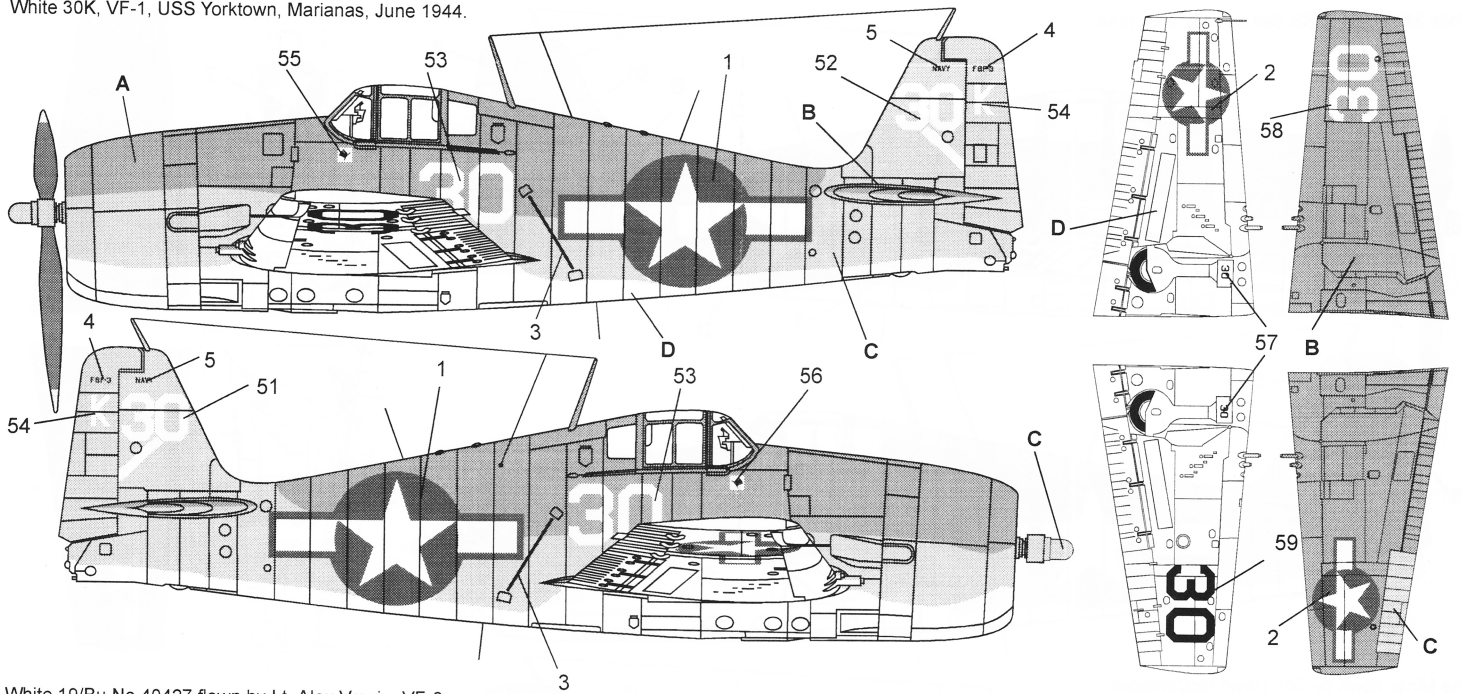
Literatura:

1. F6F Hellcat, Monografie Lotnicze 15, A. Jarski, W. Pajdosz, A. J. Press 1994.
2. F6F Hellcat in action, J. Sullivan, Squadron Signal Publication 1979.
3. U.S. Navy Carrier Fighters of World War II, Squadron Signal Publication 1987.

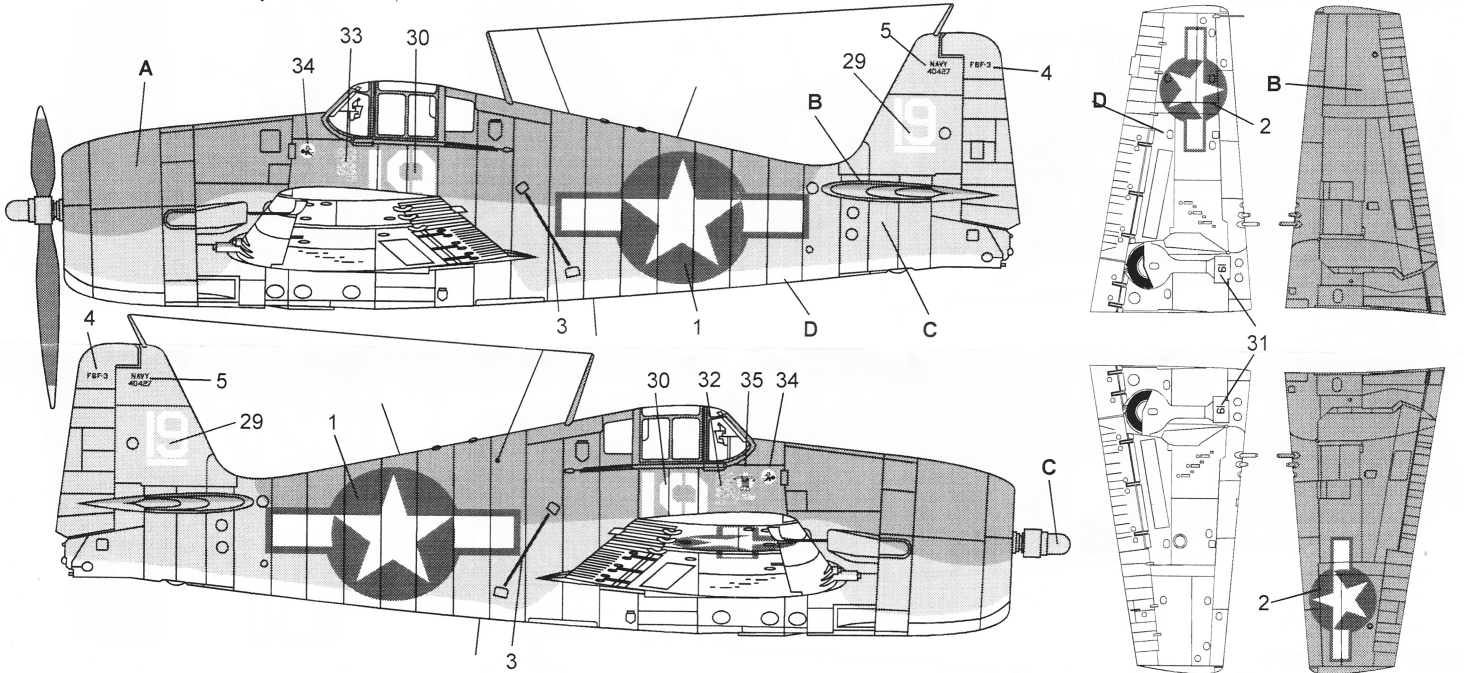
TECHMOD,
ul. Uthke 27,
41-300 DąbrowaGórnicza,
Poland
tel./fax. +48 32 2643692

72002P Grumman F6F-3 Hellcat

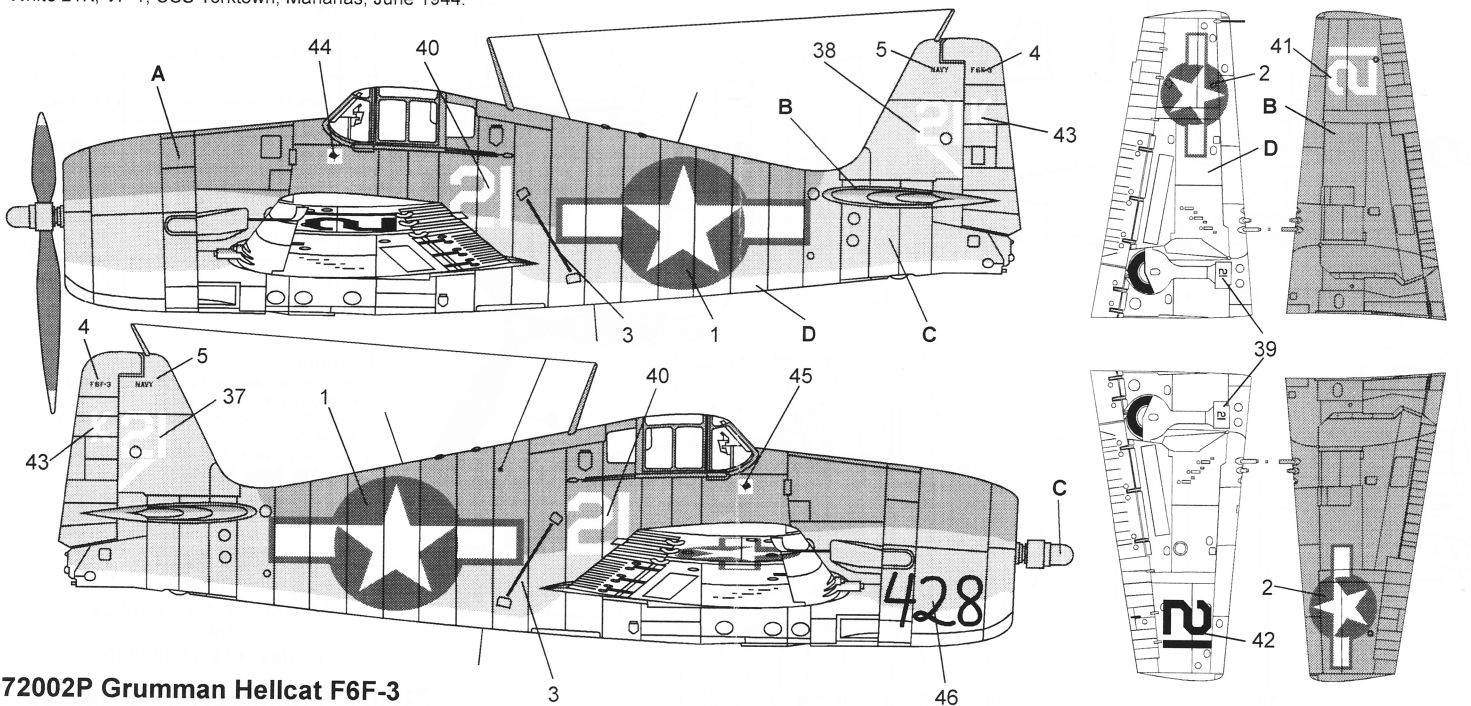
White 30K, VF-1, USS Yorktown, Marianas, June 1944.



White 19/Bu.No.40427, flown by Lt. Alex Vraciu, VF-6.



White 21K, VF-1, USS Yorktown, Marianas, June 1944.



72002P Grumman Hellcat F6F-3