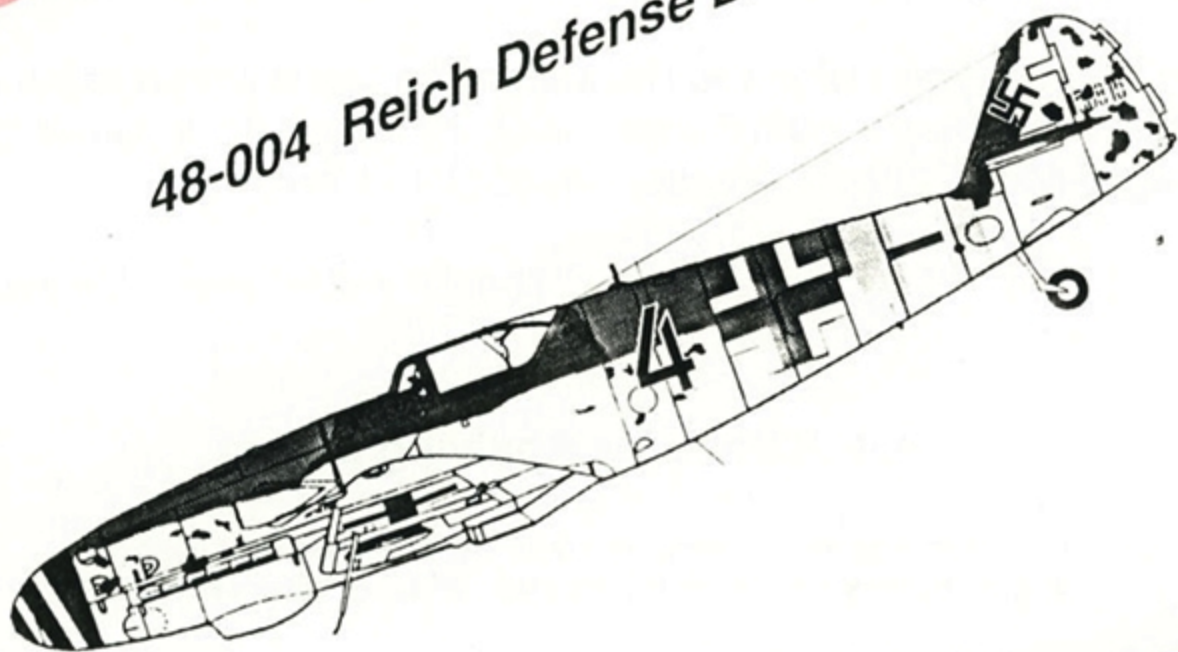


AeroMaster™

48-004 Reich Defense Bf 109G/K's



AeroMaster Decals

3615 NW 20th Avenue
Miami, Florida 33142 USA
(305) 633-8118 • Fax (305) 634-3630

TM

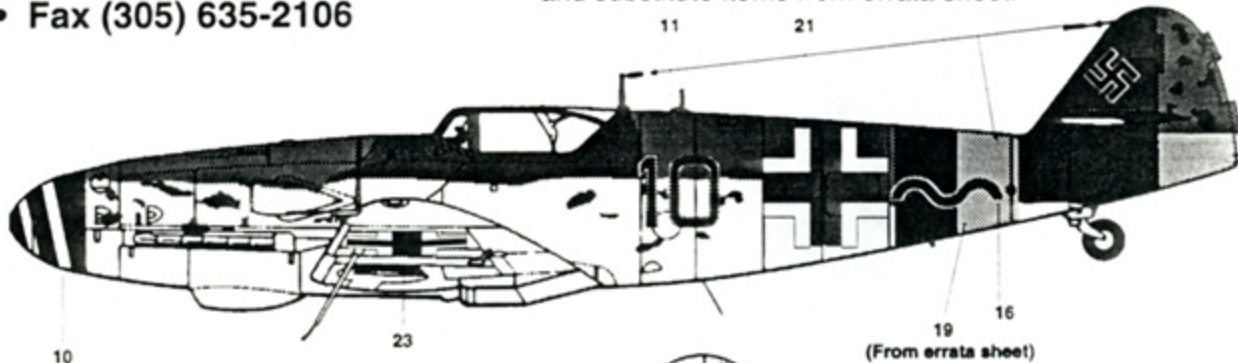
Aeromaster Decals

3615 NW 20th Ave • Miami, Florida 33142 • USA
Tel. (305) 635-3134 • Fax (305) 635-2106

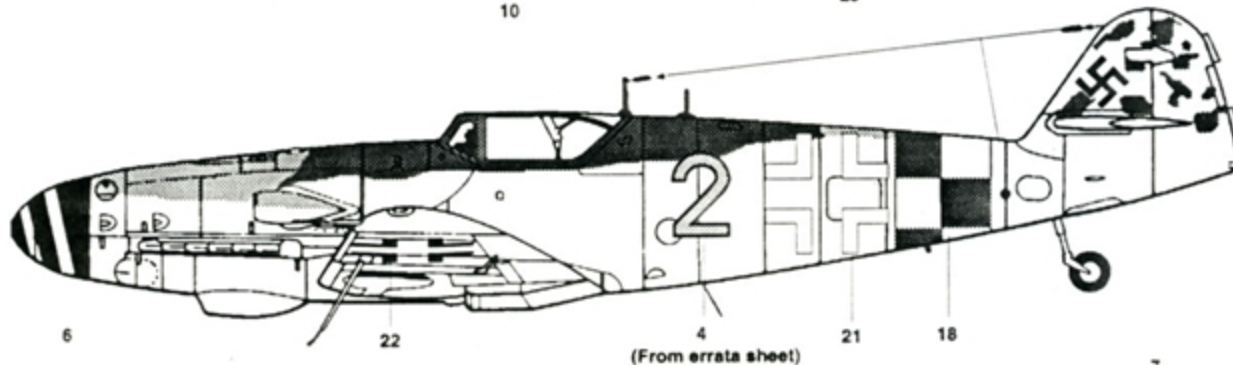
Reich Defense Bf-109G/K - 48-004

NOTE: Due to a printing error, there is an errata sheet enclosed for several items. Discard items on large sheet and substitute items from errata sheet.

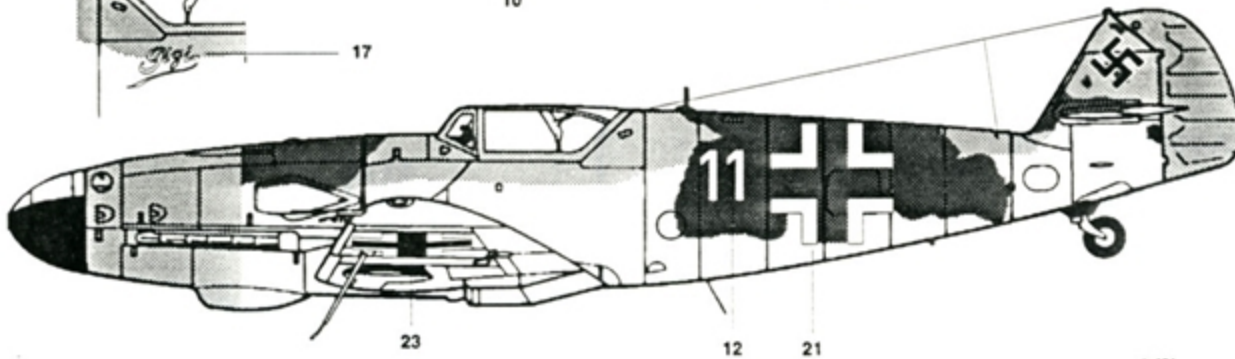
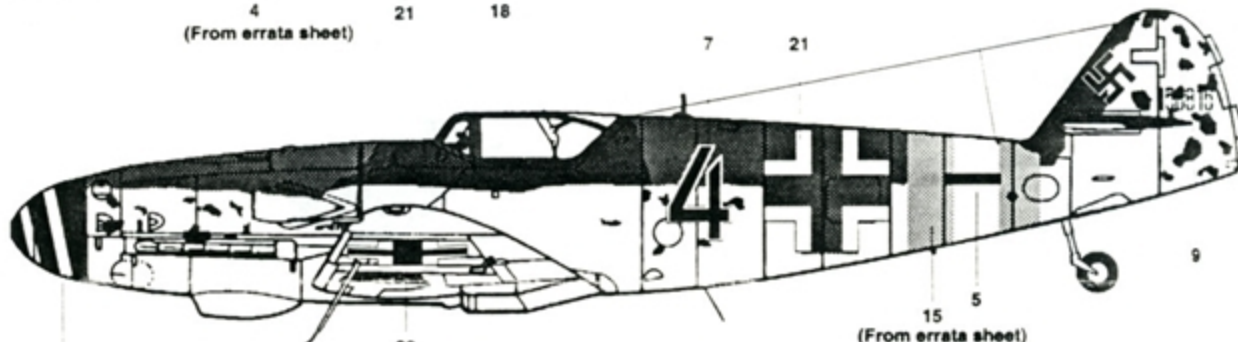
Bf-109G-14/R3/AS, IV./JG 5, Norway, 1945. Color scheme of RLM 75/82/76. Bottom of rudder yellow.



Bf-109G-10 of an unknown *Industrie-Schutzstaffel* (Industry Protection Flight), Germany, 1945. RLM 74/75/76. Right side tail band pattern not known. Use decal number 18 or trim and apply 18A to right side.

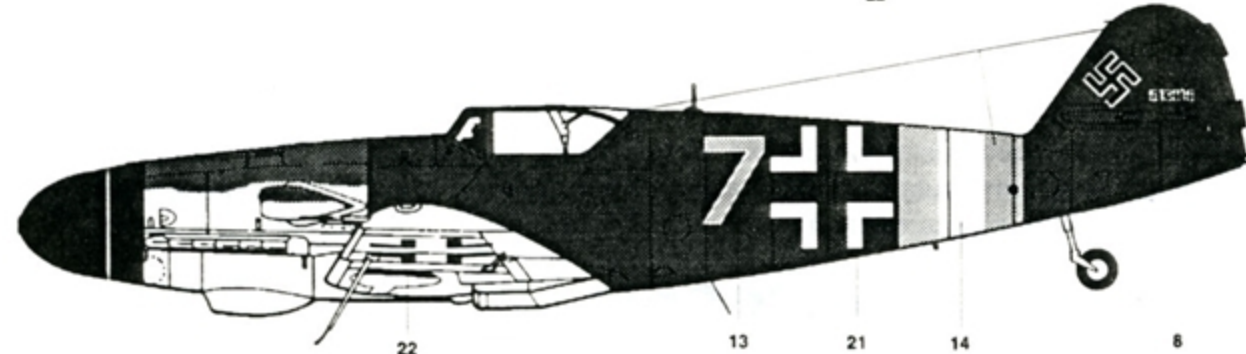
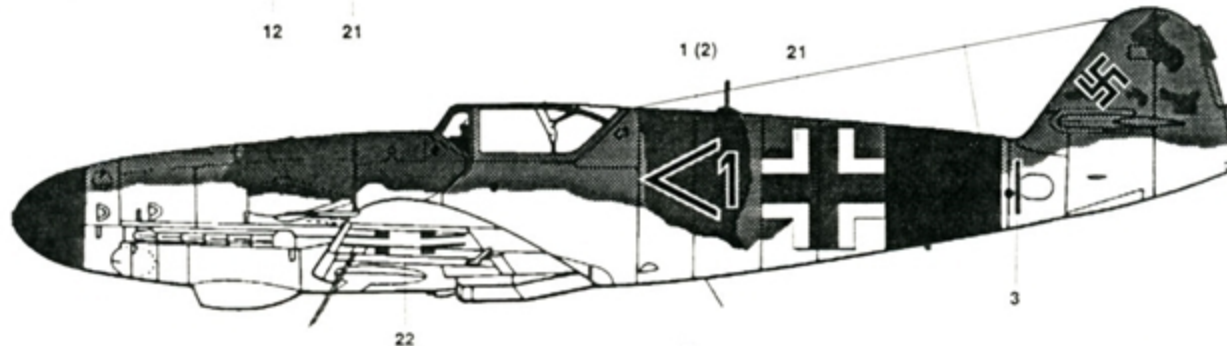


Bf-109G-10, w. nr. 150816, II./JG2, Langensalza, Germany, 1945. RLM 74/75/76 scheme. Small main wheel bulges. Non-standard upper wing crosses. See reverse side.



Bf-109G-6/AS, "Gigi", Neubiberg, Germany, 1945. Color scheme of RLM 74/75/76 with areas of darker grey overpainting. An unusual hybrid aircraft with DB605AS engine and short vertical tail. Spinner RLM 70 & white. Rudder & nose band yellow.

Bf-109K-4, III./JG53. Flown by Lt. Ernst Dieter Bernhard, Kaufbeuren, Germany, 1945. Color scheme of RLM 81/82/76. Fuselage band and spinner black.



Bf-109G-10/R3 w. nr. 613016, I./JG54, East Prussia, 1945. Color scheme of RLM 74/81/82(?)76. The cowling, probably a replacement, appears to be 74/76 while most of fuselage is very dark, possibly 81. Upper wings may be in 81/82. Spinner & nose band aft are black.

AeroMaster Decals



Location of non-standard sized upper wing crosses for Bf-109G-10, w. nr. 150816.

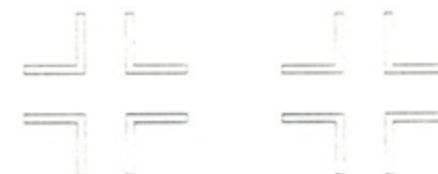
21



24



20



Use these templates to cut masks for painting upper wing and fuselage crosses in matching camouflage colors.

References:

1. Flugzeug Profile No. 5, Messerschmitt Bf-109G/K
2. Airfoil Magazine, Vol. 1, No. 1, Winter 1983
3. Airfoil Magazine, Vol. 1, No. 2, Spring 1984
4. Monogram Close-Up No. 7, Messerschmitt Bf-109G, Part 2

Suggested Kits:

Monogram/Revell Bf-109G-10
Revell Germany Bf-109K-4
Medallion Models Bf-109K-4 conversion kit



191477

Bonus markings are provided for a Messerschmitt Me-163B Komet, W. Nr. 191477 found by Allied troops at Polenz airfield near Brandis. The aircraft was painted in RLM 81/82/76. The badge was located on the nose in the same position as the 2./JG 400 insignia provided in the DML kit.

If you have suggestions for future subject matter, AeroMaster would like to hear from you. Our goal is to provide high quality, well researched decals of unusual and interesting subjects. We value our customers' inputs, so if you have specific suggestions or photographs of unusual subject matter, please contact:

AeroMaster Decals

3615 NW 20th Ave • Miami, Florida 33142 • USA