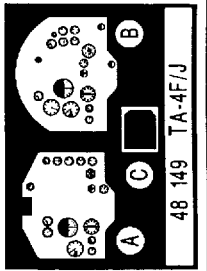
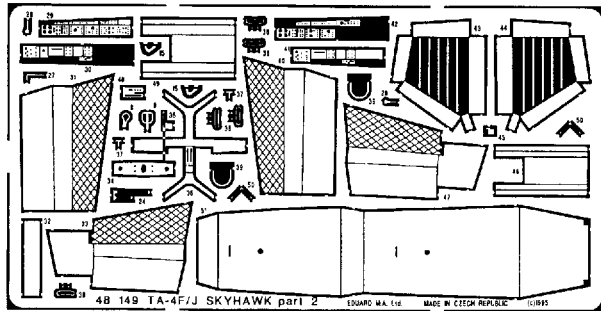
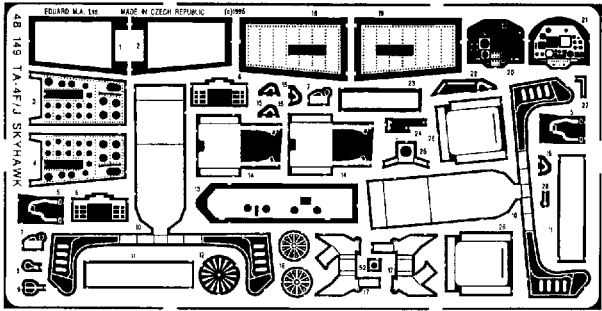




TA-4F/J Skyhawk

1/48 scale detail set for Fujimi / Academy kit



OPPOSITE SIDE



REMOVE



BEND

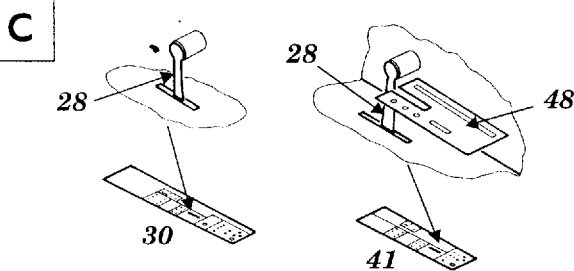
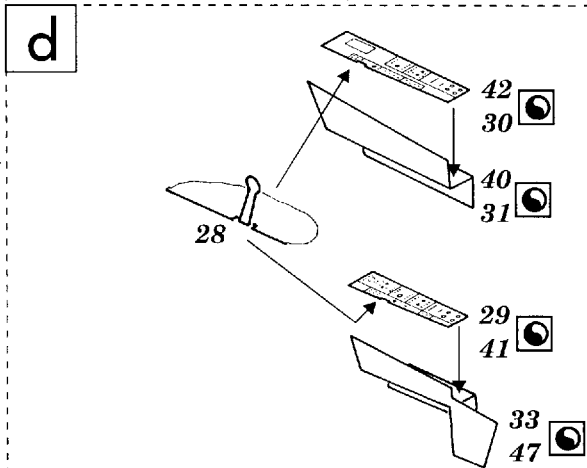
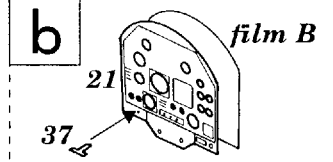
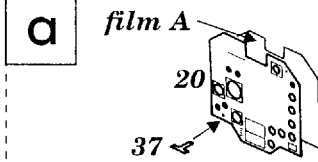
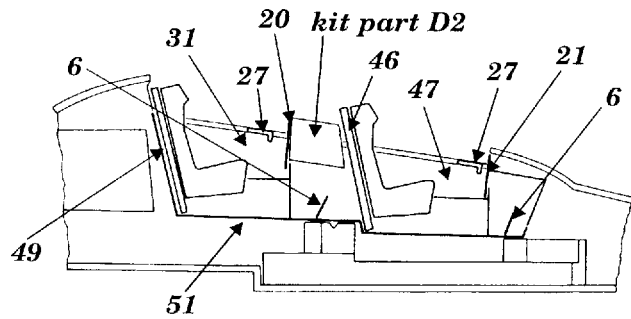
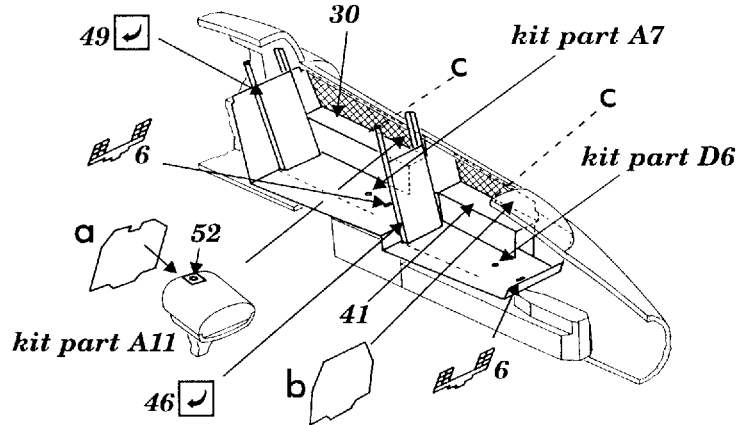
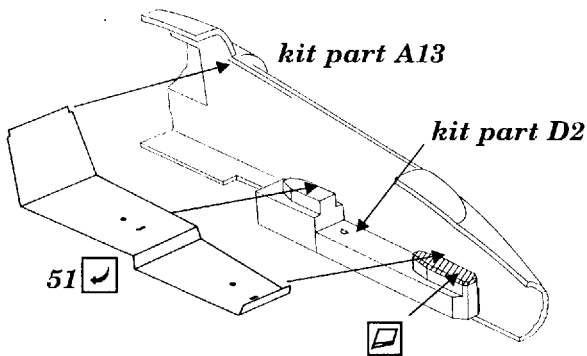


REPLACE

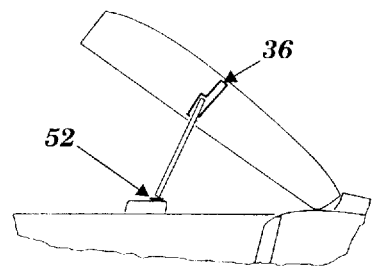
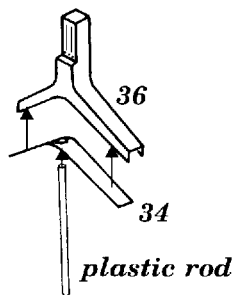
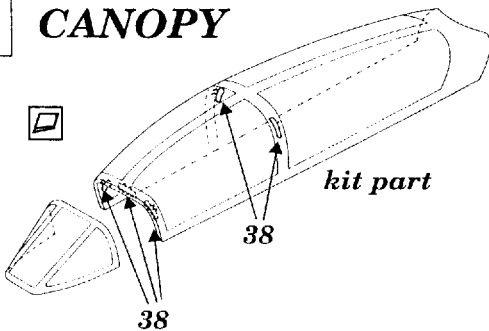


GRIND

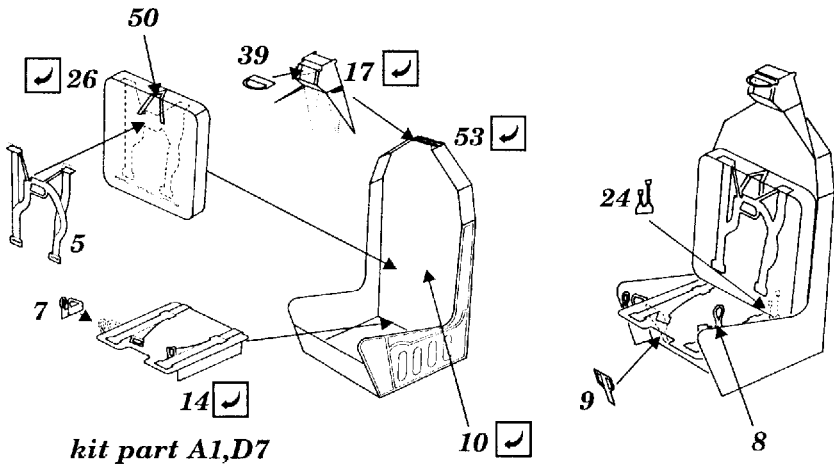
A COCKPIT



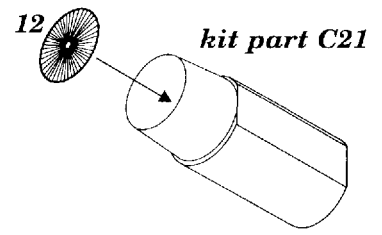
B CANOPY



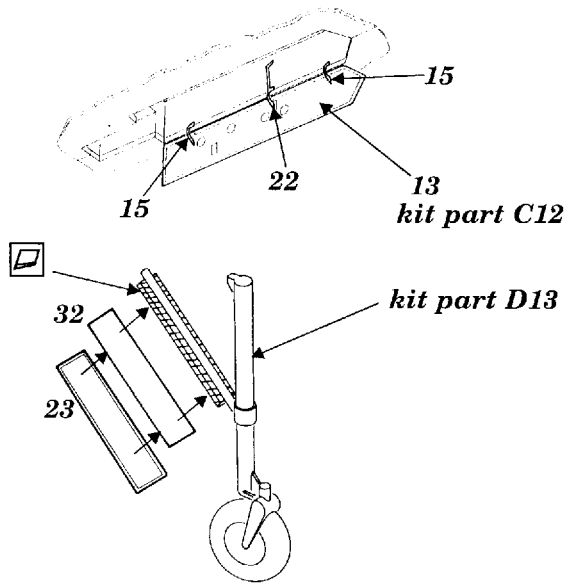
C EJECTION SEAT



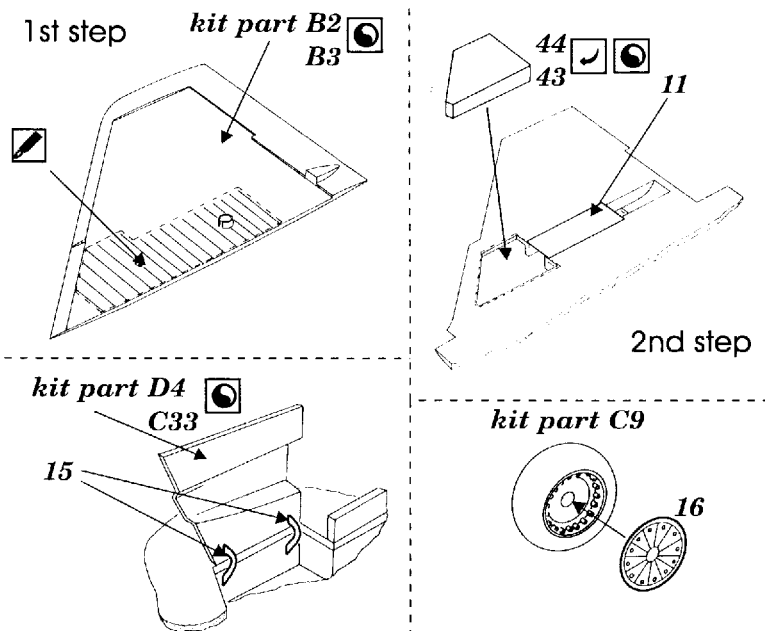
D ENGINE



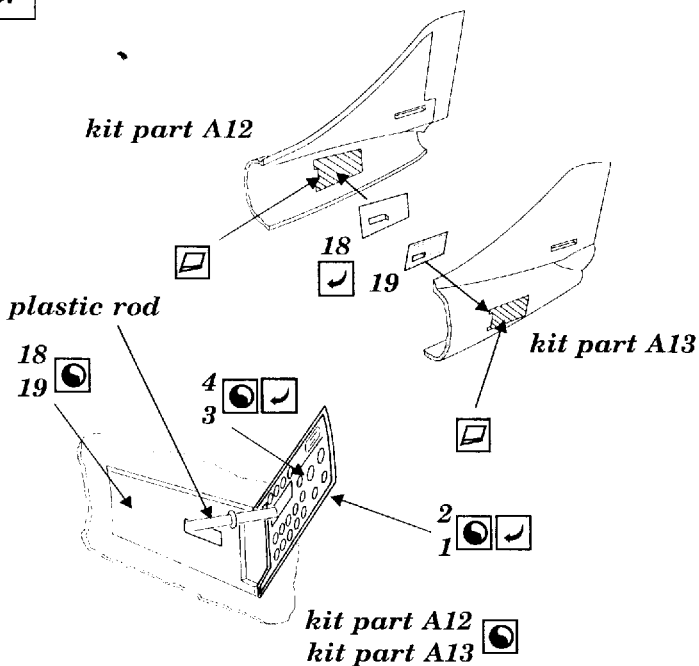
E NOSE UNDERCARRIAGE



F MAIN UNDERCARRIAGE



G AIR BRAKES



H GUNSIGHT & EXTERNAL PARTS

