

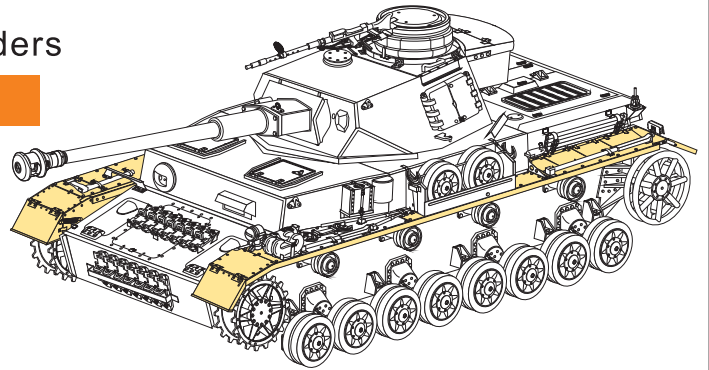
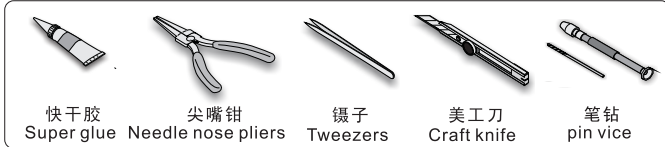
1/35 MILITARY MINIATURE VEHICLE UPGRADE SERIES PE351048

WWII German Pz.Kpfw.IV Ausf.H-J Fenders

二战德军IV号坦克中后期翼子板改造件

[FOR BORDER /RFM/DML]

■ 推荐使用工具 RECOMMENDED TOOLS

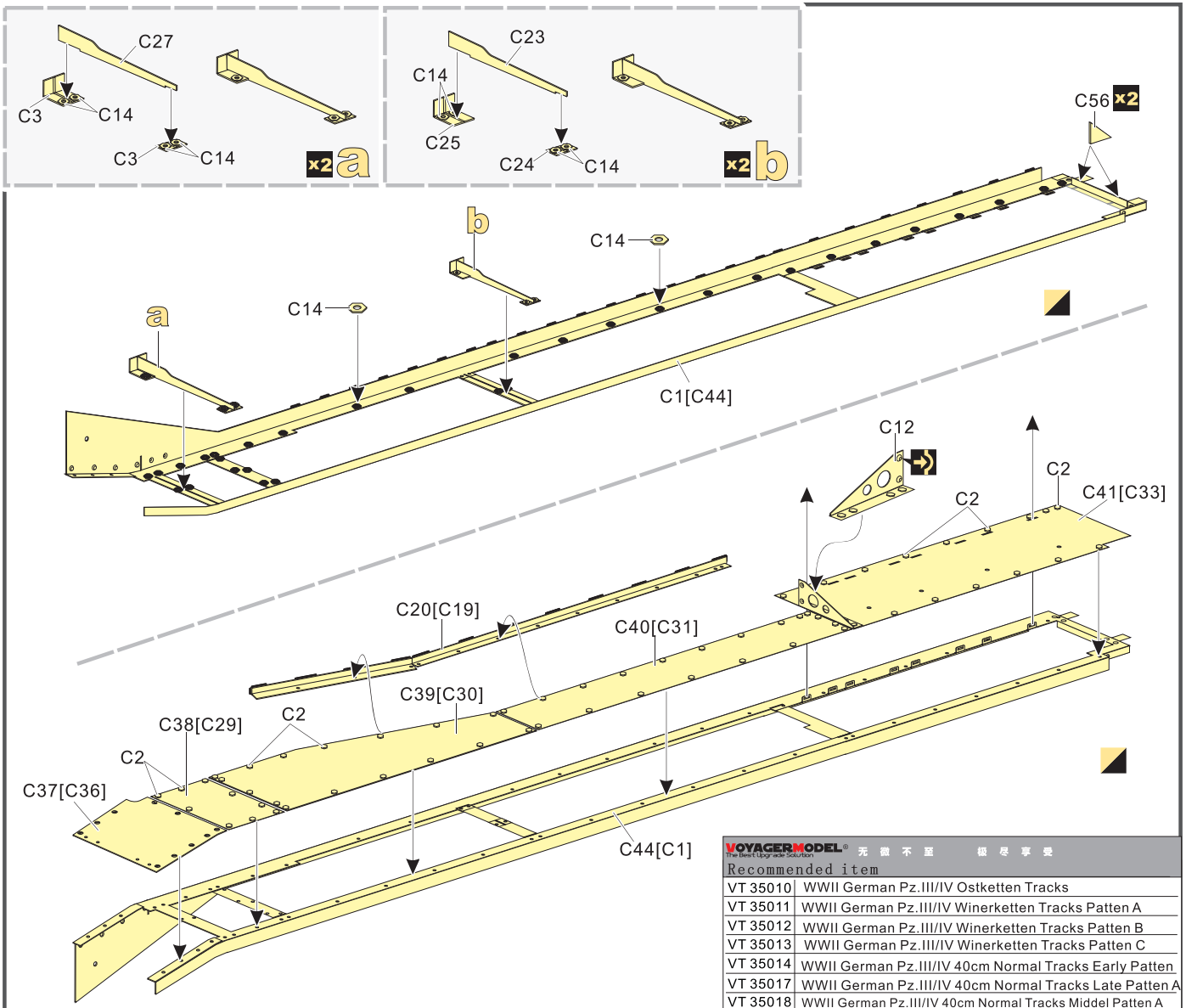


- ↑
安装
install
- ↩
折叠
bend
- A1**
改造件零件编号
PE/resin part number
- B12**
原零件编号
kit part number
- C22**
被替换的原零件编号
replaced kit part number
- ▲
另一侧相同制作
repeat on opposite side
- ✂
切除
remove
- 🔪
打磨
grind off
- 🌀
弧度卷曲
radial bending
- x2
制作若干组
multiple assembly
- ⇄
选择安装
alternative
- 🔧
钻孔
drill
- 用胶棒制作
make from plastic rod

↓
用尖端在凹槽处冲压
use penpoint to press on the dent

蚀刻片零件内侧面向上
Put the part upside down

用笔尖在凹槽处刺
Use penpoint to press on the dent

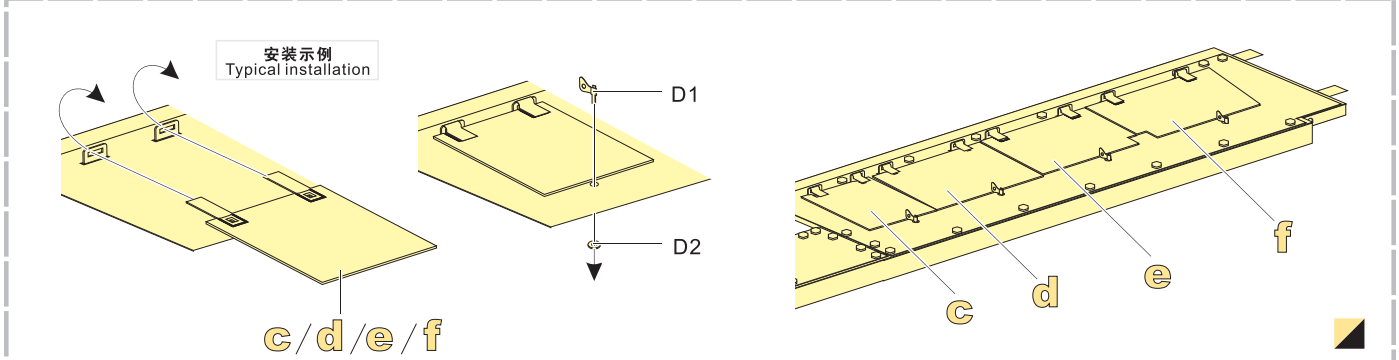
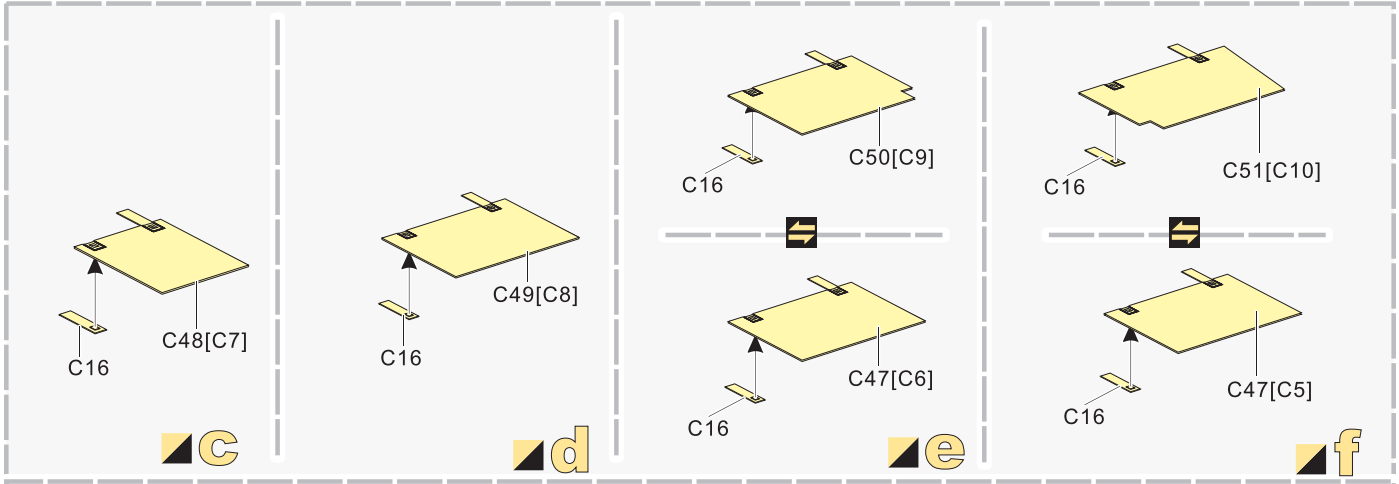


VOYAGERMODEL[®] 无微不至 精益求精

Recommended item

VT 35010	WWII German Pz.III/IV Ostketten Tracks
VT 35011	WWII German Pz.III/IV Winerketten Tracks Patten A
VT 35012	WWII German Pz.III/IV Winerketten Tracks Patten B
VT 35013	WWII German Pz.III/IV Winerketten Tracks Patten C
VT 35014	WWII German Pz.III/IV 40cm Normal Tracks Early Patten
VT 35017	WWII German Pz.III/IV 40cm Normal Tracks Late Patten A
VT 35018	WWII German Pz.III/IV 40cm Normal Tracks Middel Patten A

1/35 MILITARY MINIATURE VEHICLE UPGRADE SERIES PE351048



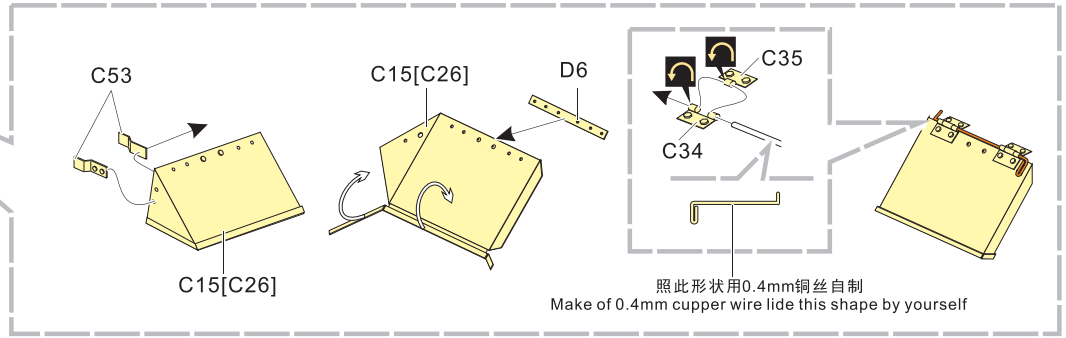
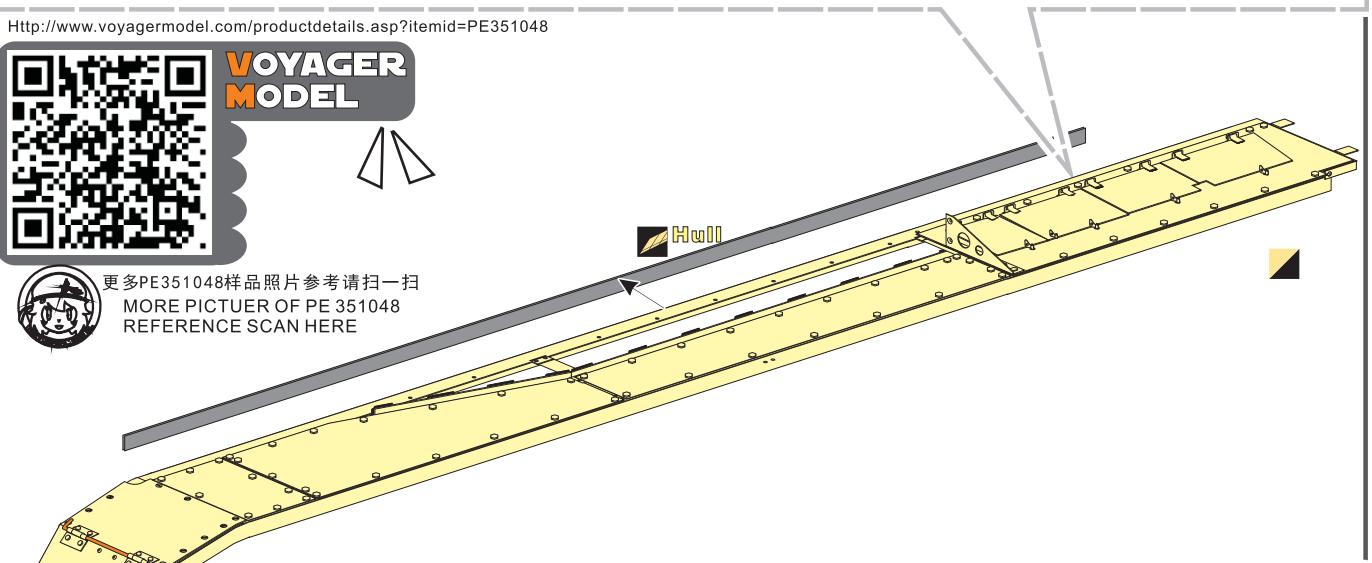
[Http://www.voyagermodel.com/productdetails.asp?itemid=PE351048](http://www.voyagermodel.com/productdetails.asp?itemid=PE351048)



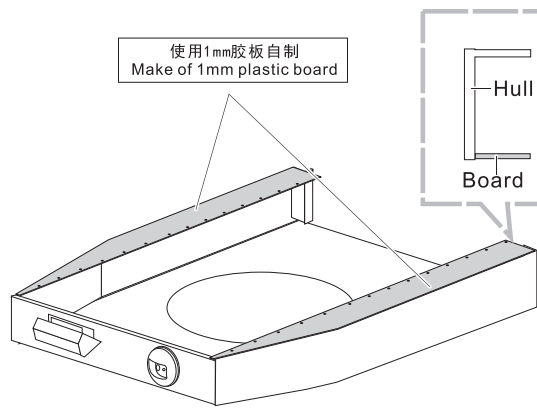
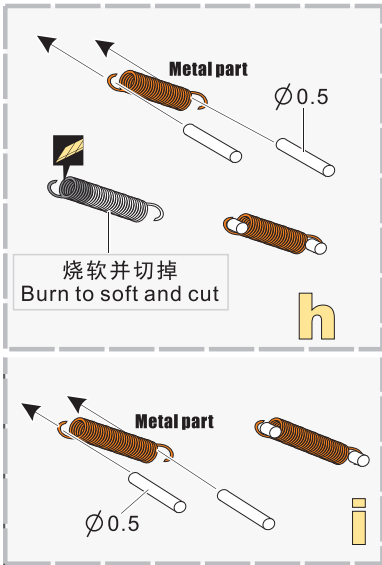
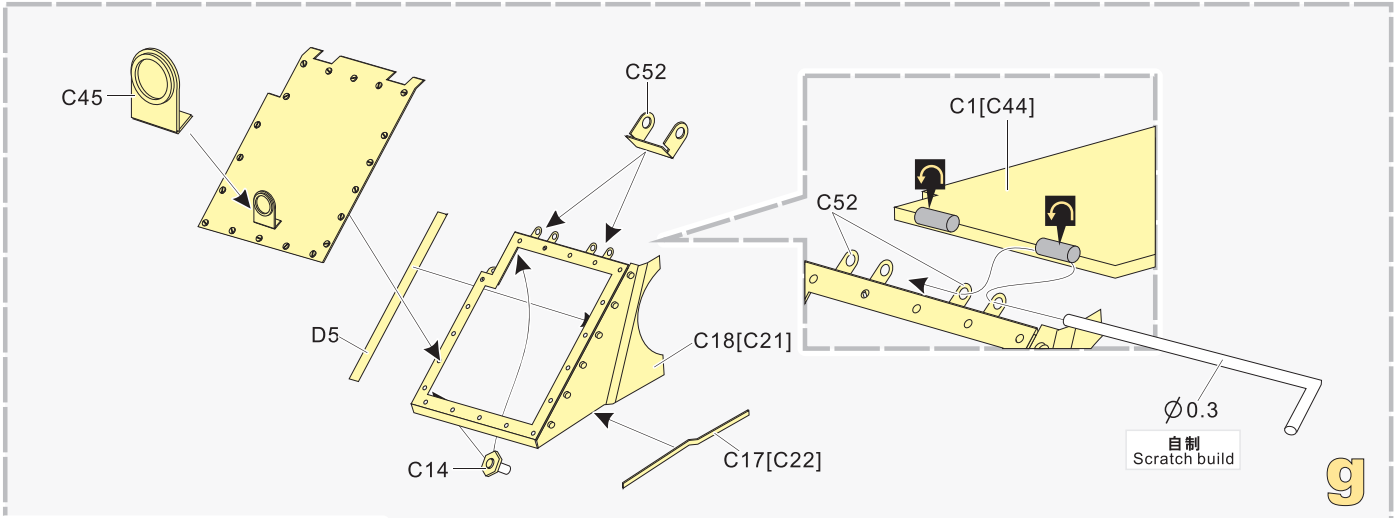
**VOYAGER
MODEL**



更多PE351048样品照片参考请扫一扫
MORE PICTUER OF PE 351048
REFERENCE SCAN HERE

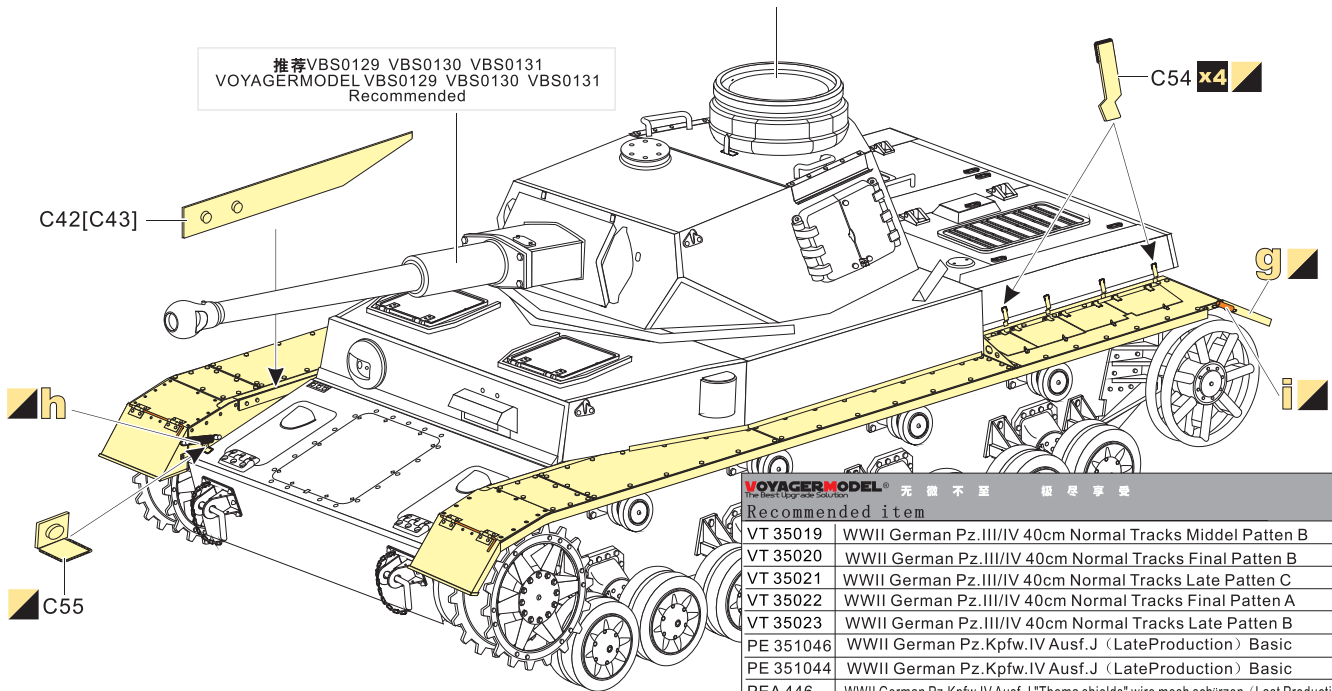


1/35 MILITARY MINIATURE VEHICLE UPGRADE SERIES PE351048



推荐PEA446 PE 351046 PE 351044
VOYAGERMODEL PEA446 PE 351046 PE 351044
Recommended

推荐VBS0129 VBS0130 VBS0131
VOYAGERMODEL VBS0129 VBS0130 VBS0131
Recommended



VOYAGERMODEL® 无限不至 极尽享受
The Best Upgrade Solution

Recommended item	
VT 35019	WWII German Pz.III/IV 40cm Normal Tracks Middel Patten B
VT 35020	WWII German Pz.III/IV 40cm Normal Tracks Final Patten B
VT 35021	WWII German Pz.III/IV 40cm Normal Tracks Late Patten C
VT 35022	WWII German Pz.III/IV 40cm Normal Tracks Final Patten A
VT 35023	WWII German Pz.III/IV 40cm Normal Tracks Late Patten B
PE 351046	WWII German Pz.Kpfw.IV Ausf.J (LateProduction) Basic
PE 351044	WWII German Pz.Kpfw.IV Ausf.J (LateProduction) Basic
PEA 446	WWII German Pz.Kpfw.IV Ausf.J "Thoma shields" wire mesh schürzen (Last Production)
VBS0131	WWII German Panzer IV Ausf H/J. L/48 75mm Barrel w/Mantlet Pattern 3
PEA052	WWII German Pz.Kpfw.IV Stowage Bin (for Ausf.E-J)