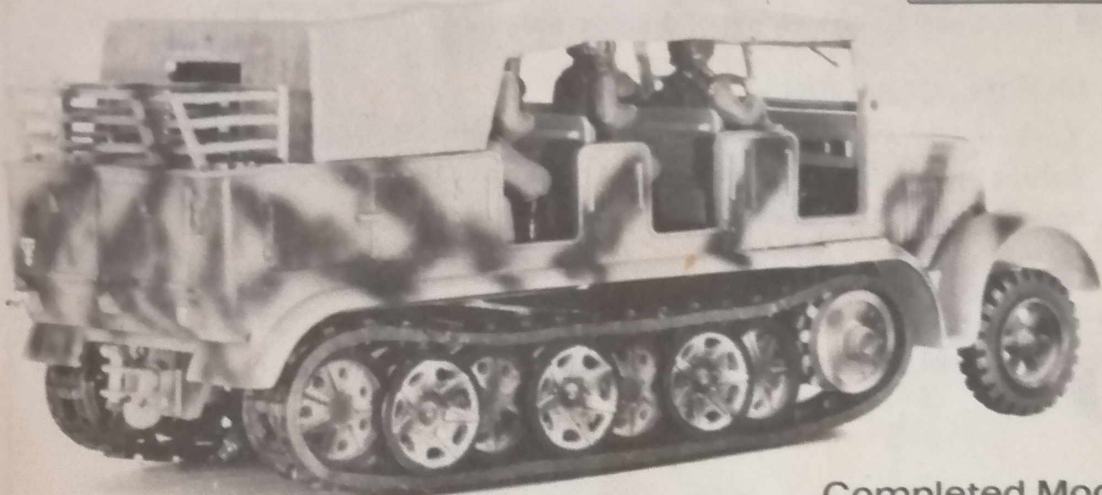
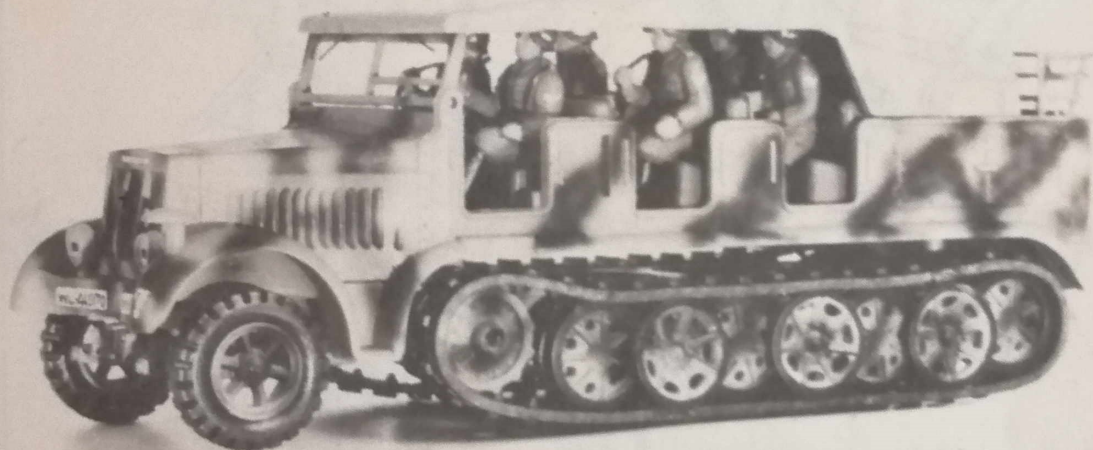


# 8TON HALF TRACK Sd.Kfz 7

1/72 SCALE



Completed Model



## History

In Germany, during the World War I the development and research on half tracks were carried out by Benz and Daimler. By mechanizing the fighter unit for the attack on enemy tanks with the cooperation of the infantry, this type of warfare was developed by Krauss-maffei Co., Ltd. Panzer-grenadier Infantry Division and other artillery divisions were distributed with this half track Sd. Kfz 7 (8 ton half track). The production of its first model began in 1934 and the final model, in 1938. In the artillery it was used as a tractor to pull the famous 88 mm guns, 100 mm and 150 mm heavy guns. Over 5,000 units were produced during the period from 1934 to the end of 1944 and saw actions with the anti-tank and anti-aircraft artillery. Sd. Kfz 7/1 was armed with quadruple 20 mm anti-aircraft guns, the Sd. Kfz 7/2 was armed with a 37 mm anti-aircraft gun and the Sd. Kfz 7/6 was equipped with launch control for the V2 rocket. Throughout the World War II these half tracks saw actions in the Eastern Front, North Africa and the Western Front.

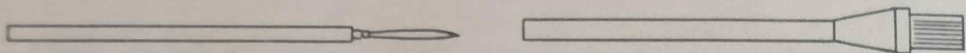
Crew: 11 / Weight: 11.5 ton / Length: 6.85 m / Width: 2.40 m / Height: 2.62 m / Traction: 8.5 ton / Engine: Maybach HL, TR. 140 HP. / Max Speed: 55 km/h (road condition), 29 km/h (rough going)

## Before Assembling Your Kit

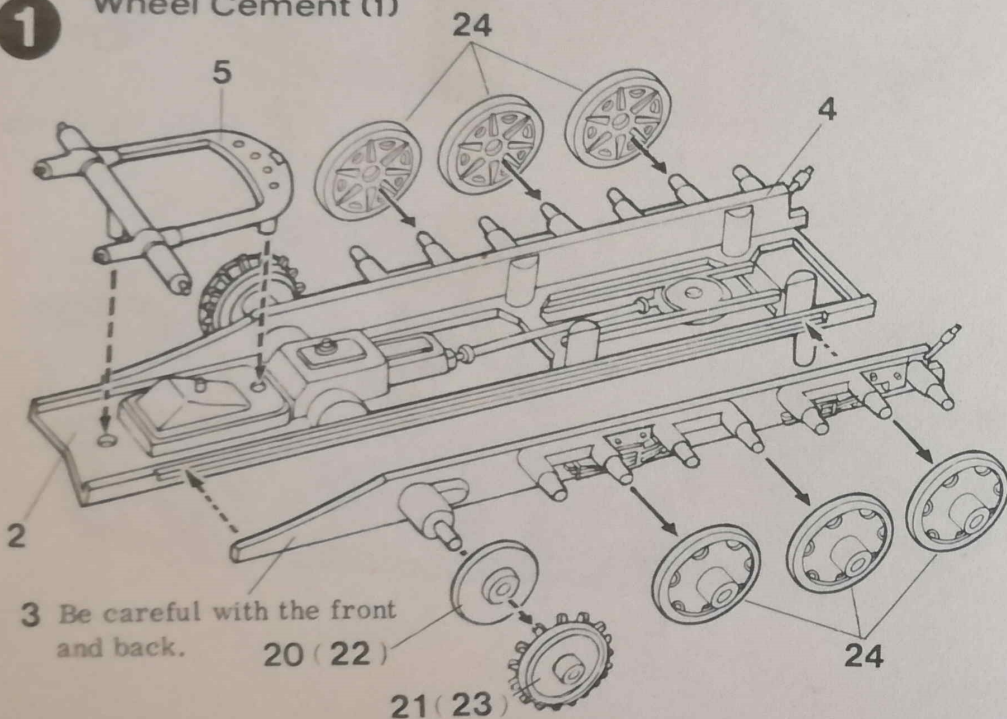
- Read these instructions carefully before assembling your model and check the exact fit of the parts.
- Clean off excess plastic, if any, with a sharp knife or a file.
- Do not tear off parts from the stem, but cut them off carefully with a knife or clipper.
- Do not use too much cement since surplus adhesive spoil the finish.

## MODEL COLORS

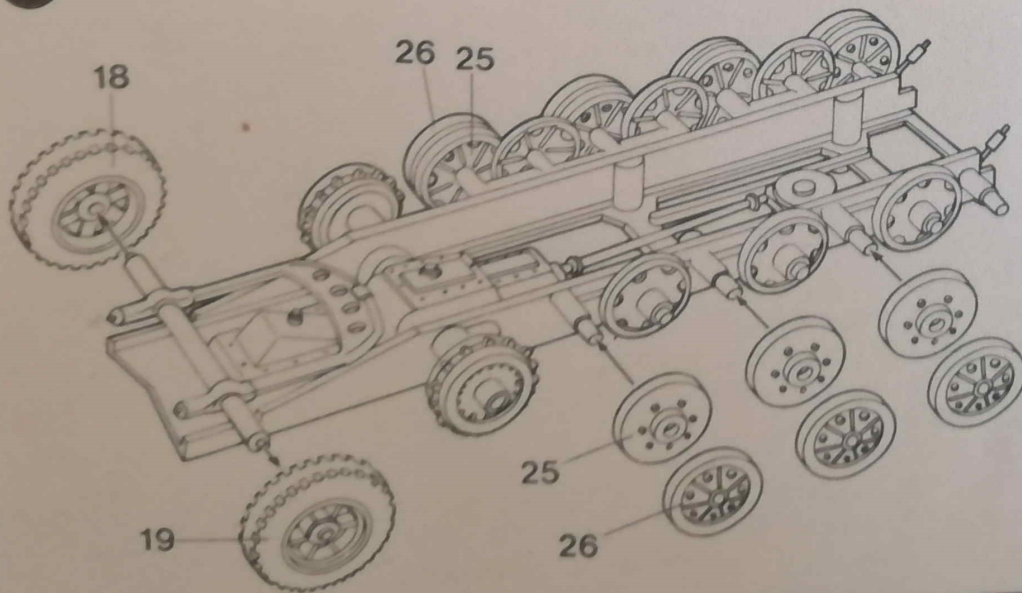
To beautify your model, paint each parts carefully. The model colors are from ① - ⑥2. Use wide brush to paint the wide area and the pointed brush for tiny parts.



### 1 Wheel Cement (1)

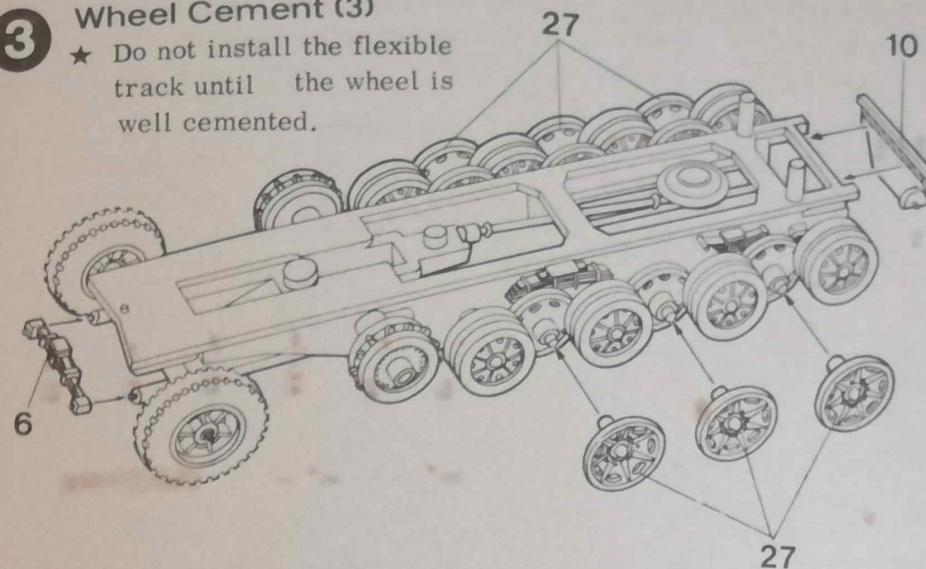


### 2 Wheel Cement (2)

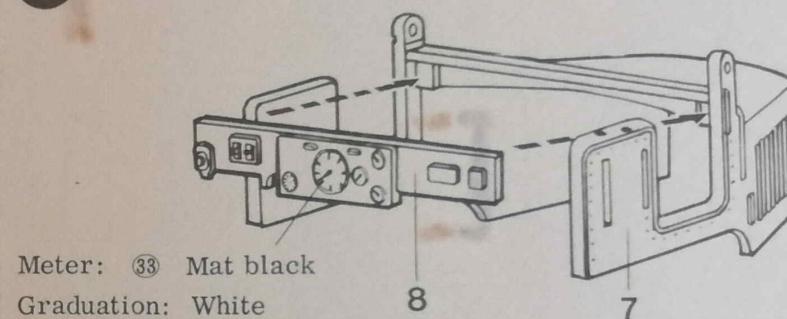


### 3 Wheel Cement (3)

- ★ Do not install the flexible track until the wheel is well cemented.



### 4 Instrument Panel Cement

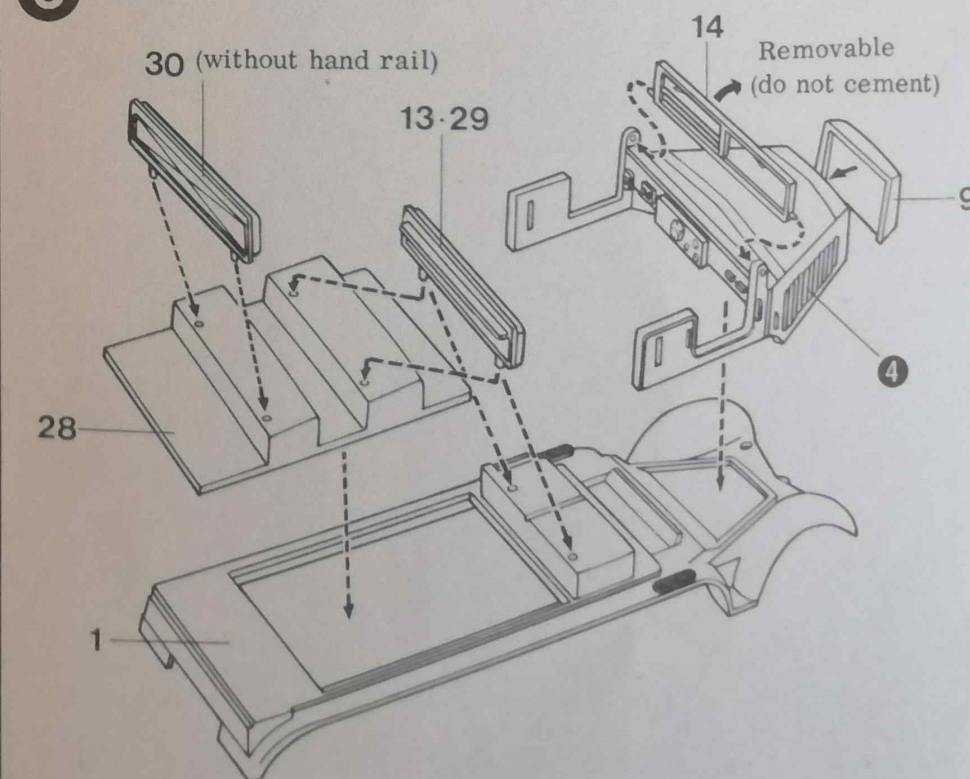


Meter: ③3 Mat black

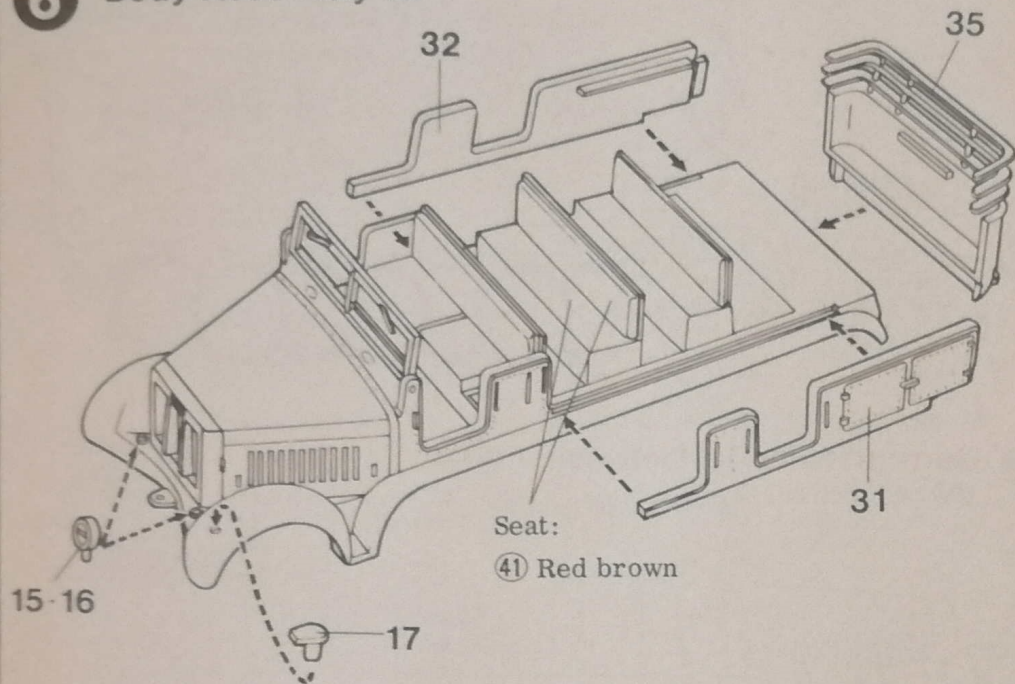
Graduation: White

Dashboard: Same color as the body

### 5 Body Assembly (1)



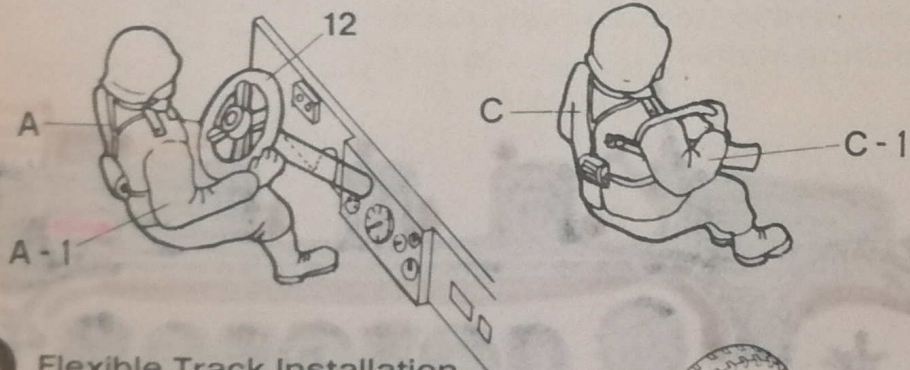
## 6 Body Assembly (2)



## 7 Figure Assembly

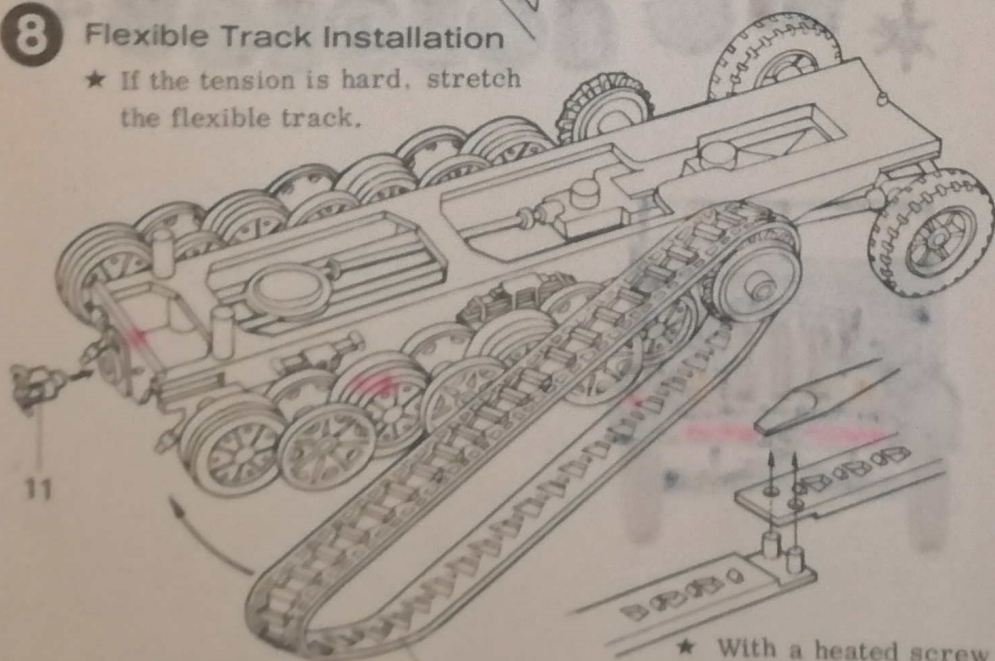
Driver (1 body)

Infantryman (2 bodies)



## 8 Flexible Track Installation

★ If the tension is hard, stretch the flexible track.

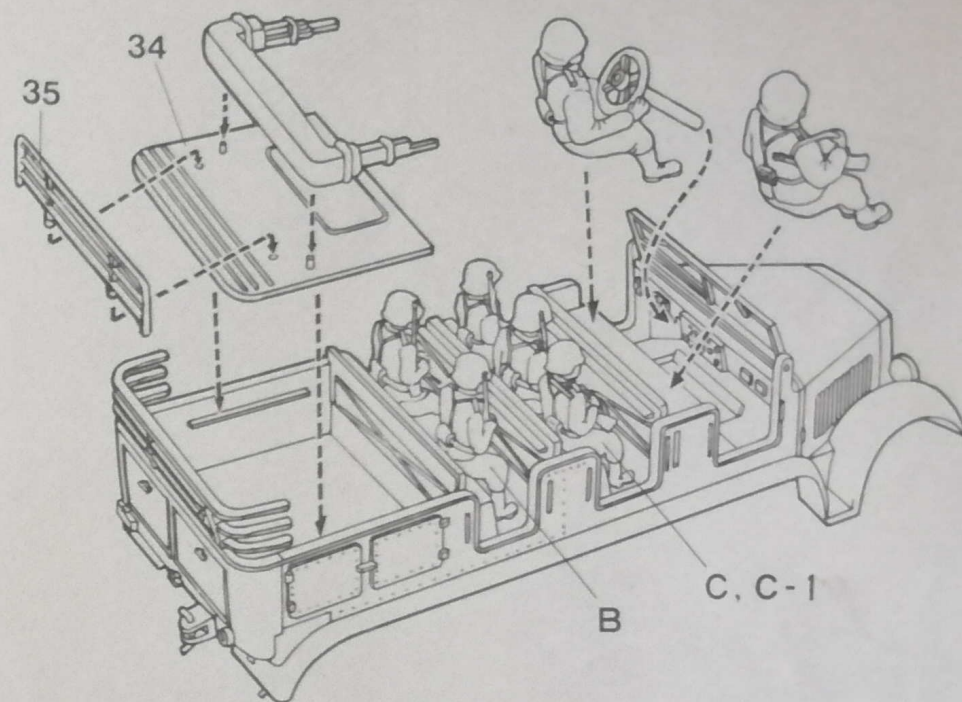


★ Be careful with the front and back.

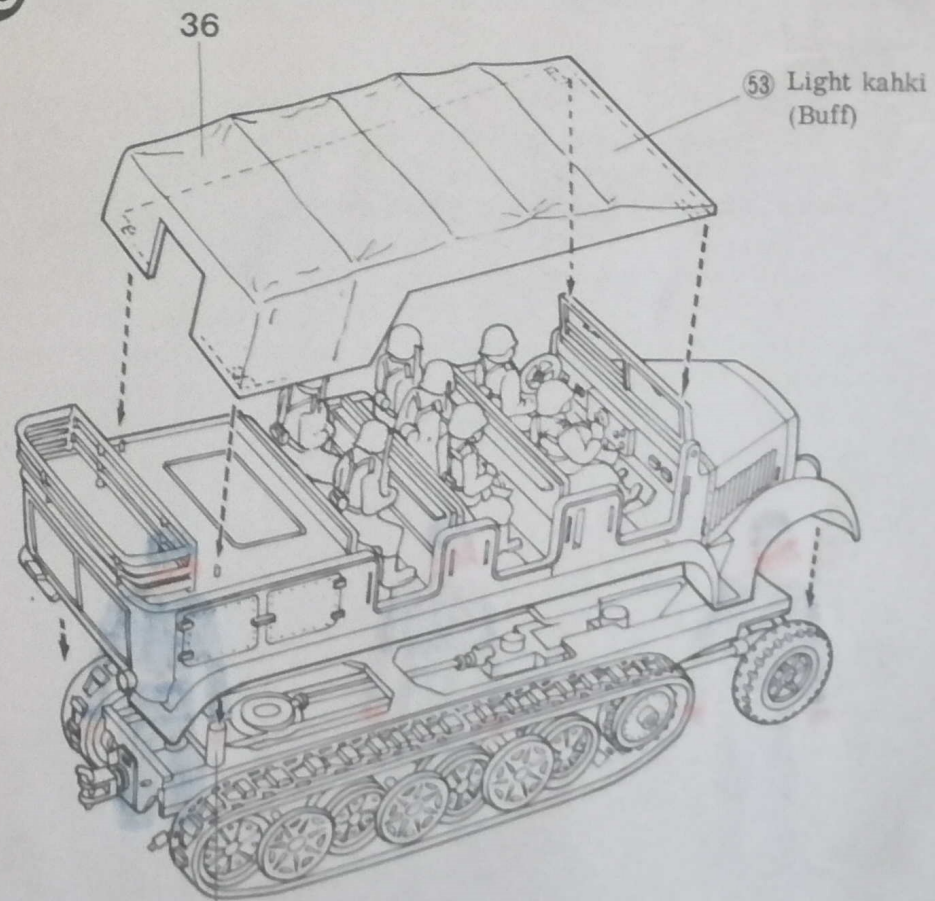
★ With a heated screw driver, melt the pin.

## 9 Body Installation (Hood folded)

★ As in Drawing - 10, cement the body to the chassis.

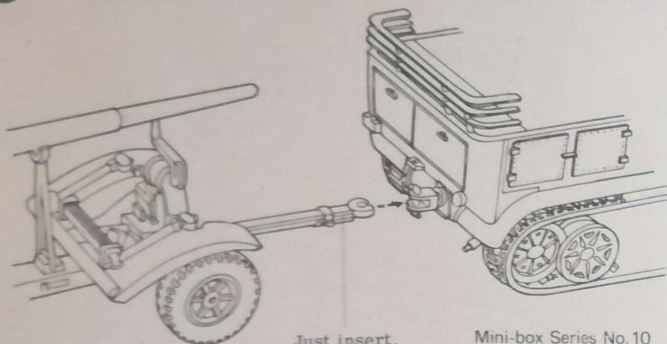


## 10 Body Installation (Hood open)



★ Cement to the slot under the body.

# 11 For Towing 88 mm Gun



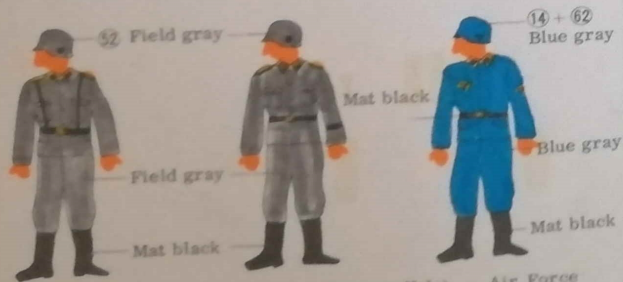
Just insert.  
Mini-box Series No.10  
88mm GUN FLAK 18



Mini-box Series No.11  
GERMAN 8t HALF TRACK Sdkfz 7

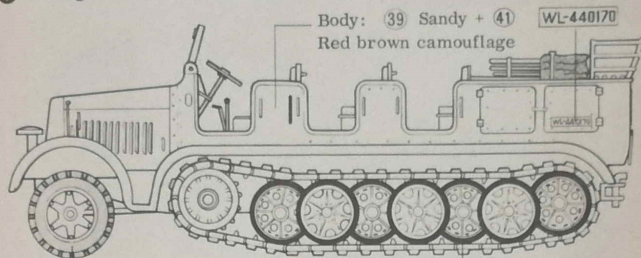
## Painting

After February 1943, the colors on all of the German military vehicles were changed to dark yellow. For the camouflage purpose, olive drab and red brown were added according to the geographic condition of the warfront. These colors were either sprayed, brushed or splashed on. There were many types of camouflage---inkspot, stripes, zig-zag. In the winter, winter white (grayish white) was brushed on, but as it was water paint, it worn off and became the camouflage of white and the base color. In the spring of 1945, German gray was used on only the heavy tanks and artilleries. To draw out the real feeling, the model should have a dirty appearance; the gloss must be removed and chassis be painted in sandy or brown.



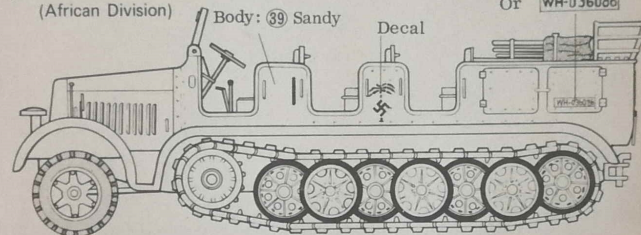
National Defense Force Bodyguard (Schutz-staffeln) Air Force

## 1 Assigned to German Air Force



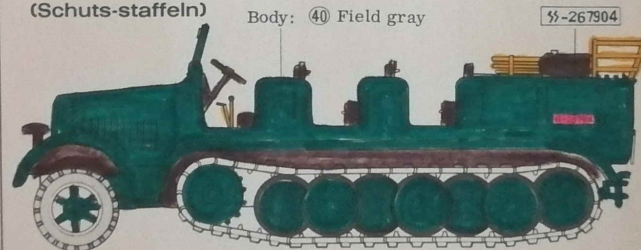
Body: 39 Sandy + 41  
Red brown camouflage  
WL-440170

## 2 German National Defense Force (African Division)

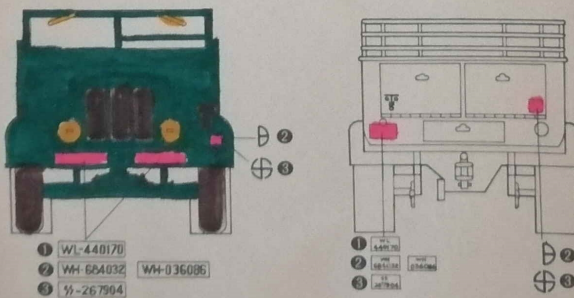


Body: 39 Sandy  
Decal  
33 Mat black  
33 Mat black  
WH-664032  
Or WH-036086

## 3 Assigned to German Bodyguard (Schutz-staffeln)



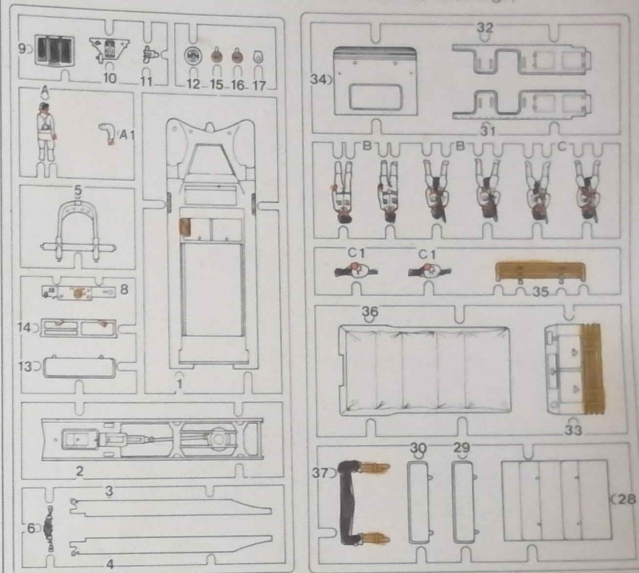
Body: 40 Field gray  
55-267904



1 WL-440170  
2 WH-664032  
3 55-267904

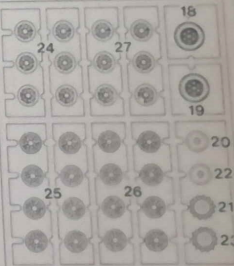
WH-036086

Parts Drawing (Before removing the parts from the stem, be sure to check them with the drawing.)



## Parts No. & Description

- |                             |                           |
|-----------------------------|---------------------------|
| 1. Floor panel              | 22. Sprocket wheel (A)    |
| 2. Chassis                  | 23. Sprocket wheel (B)    |
| 3. Rear shaft panel         | 24. Inner wheel (A)       |
| 4. Rear shaft panel (right) | 25. Inner wheel (B)       |
| 5. Front suspension         | 26. Inner wheel (C)       |
| 6. Front leaf spring        | 27. Inner wheel (D)       |
| 7. Bonnet                   | 28. Floor panel           |
| 8. Dashboard                | 29. Seat (front)          |
| 9. Radiator grill           | 30. Seat (back)           |
| 10. Rear frame              | 31. Side panel (left)     |
| 11. Hook                    | 32. Side panel (right)    |
| 12. Steering wheel          | 33. Back panel            |
| 13. Seat (front)            | 34. Back upper panel      |
| 14. Front window            | 35. Rack                  |
| 15. Headlight               | 36. Opened hood sheet     |
| 16. Headlight               | 37. Folded hood sheet     |
| 17. Black out light         | A. Driver (1 body)        |
| 18. Front wheel             | B. Infantryman (4 bodies) |
| 19. Front wheel             | C. Infantryman (2 bodies) |
| 20. Sprocket wheel (A)      | C-1 Parts for Infantryman |
| 21. Sprocket wheel (B)      |                           |



\*Cut the bag in pieces, after the part is taken out, to prevent the infant from covering it's head.

## Decal

- Place in water and remove it immediately.
- With the decal facing up, slide it off.
- After placing the decal on the model, use soft cloth to remove the bubbles.
- Do not touch the decal until it is well dried.