

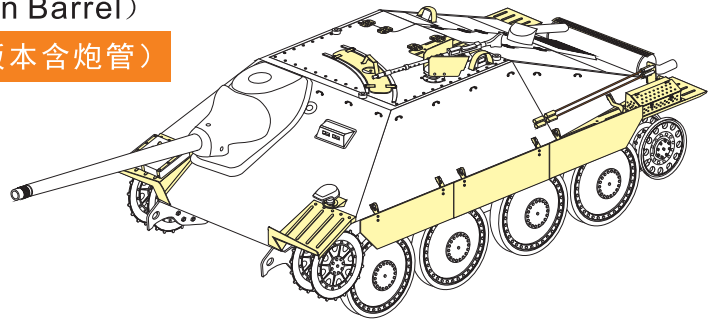
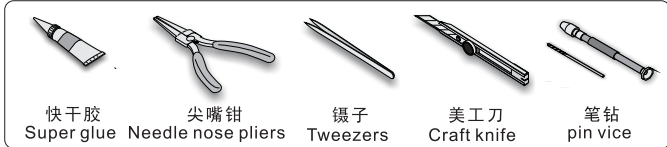
1/35 MILITARY MINIATURE VEHICLE UPGRADE SERIES PE351052

WWII German Sd.Kfz.138/2 Hetzer Tank Destroyer Early Version (B ver include Gun Barrel)

二战德军追猎者坦克歼击车早期型改造件 (B版本含炮管)

[For ACADEMY 13278]

推荐使用工具 RECOMMENDED TOOLS



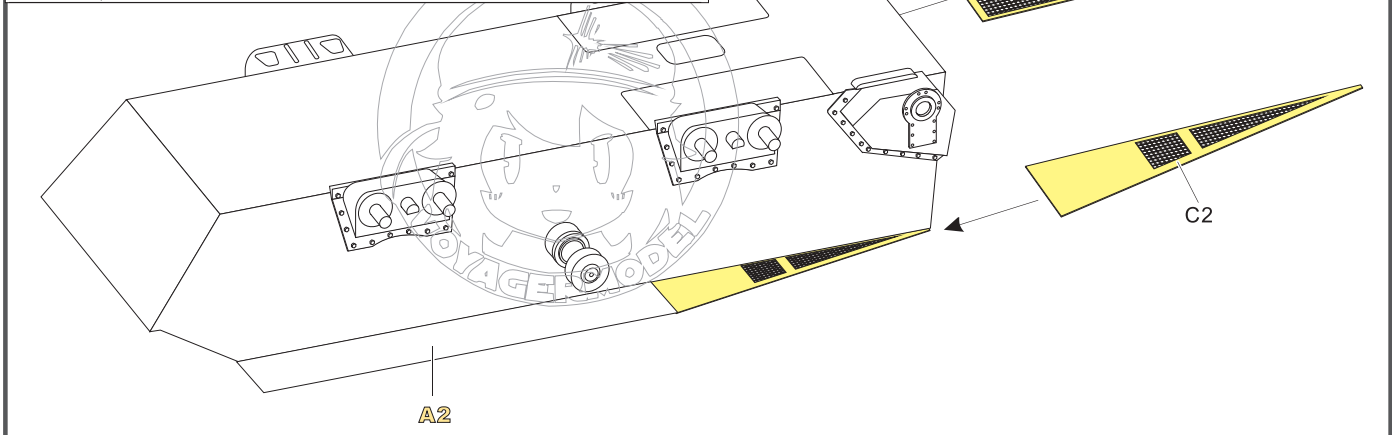
- 安装
install
- 折叠
bend
- A1**
改造件零件编号
PE/resin part number
- B12**
原零件编号
kit part number
- C22**
被替换的原零件编号
replaced kit part number
- 另一侧相同制作
repeat on opposite side
- 切除
remove
- 打磨
grind off
- 弧度卷曲
radial bending
- 制作若干组
multiple assembly
- 选择安装
alternative
- 钻孔
drill
- 用胶棒制作
make from plastic rod

用尖端在凹槽处冲压
use penpoint to press on the dent

蚀刻片零件内朝面向上
Put the part upside down
用笔尖在凹槽处刺
Use penpoint to press on the dent

VOYAGERMODEL® 无微不至 极致享受
The Best Upgrade Solution

| Recommended item | |
|------------------|---|
| PE 35916 | WWII German Bergepanzer Hetzer Basic |
| PE 35176 | WWII German HETZER |
| PE 351053 | WWII German Sd.Kfz.138/2 Hetzer Tank Destroyer Late Version (B ver include Gun Barrel) |
| PE 35666 | WWII German Sd.Kfz.138/2 Hetzer Tank Destroyer Early Version (B ver include Gun Barrel) |
| PE 351038 | WWII German Sd.Kfz.138/2 Hetzer Tank Destroyer Late Version (B ver include Gun Barrel) |
| VBS 0542 | WWII German Sd.Kfz.138/2 Hetzer Tank Destroyer Middle Version Gun Barrel |
| VBS 0541 | WWII German Sd.Kfz.138/2 Hetzer Tank Destroyer Early Version Gun Barrel |



剖面 Cross section

a

1/35 MILITARY MINIATURE VEHICLE UPGRADE SERIES PE351052

b B49, B50, B47, B51

c B48, B51

d A61, A62, $\varnothing 0.3$, **x13**

e C6, B76, B23

f Push, B33, **x24**

g A41, B66, A65, A53, A64, A54, Truck

h A41, B66, A42, A43, A53, A54, Truck, **x2**

i B59, B68, B41

j B50, B62, B51, B63, B65, B51, B28, B52, B34, **x2**

k A18, A36, A20, $\varnothing 1.0$, B2

m A23, B54

n A24, B53

o F15, Front, 开 Open, A36, 关 Close, Front, **d**

p $\varnothing 0.5$, B35, B7, B34, A57, B17, A28, **d**

1/35 MILITARY MINIATURE VEHICLE UPGRADE SERIES PE351052

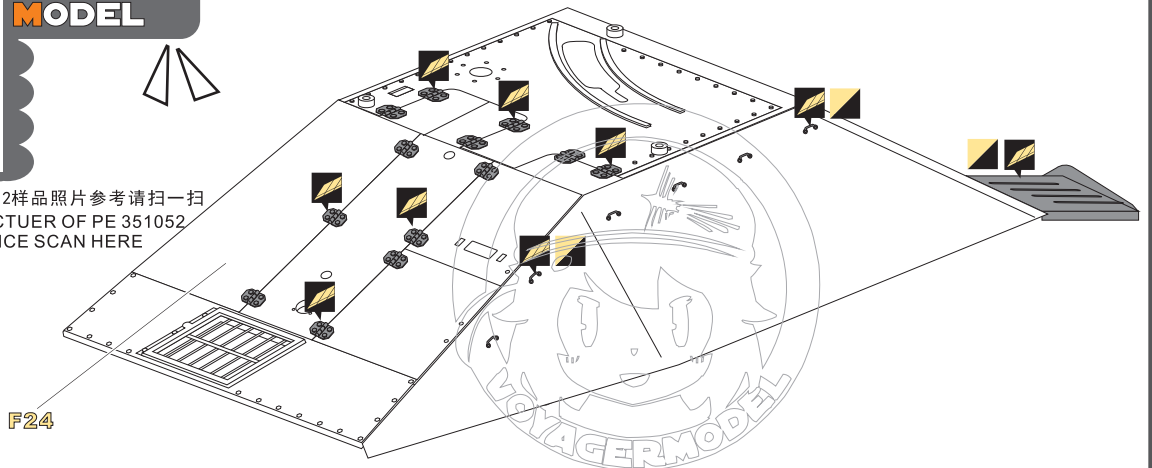
[Http://www.voyagermodel.com/productdetails.asp?itemid=PE351052](http://www.voyagermodel.com/productdetails.asp?itemid=PE351052)



**VOYAGER
MODEL**

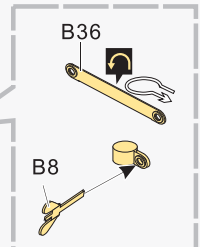
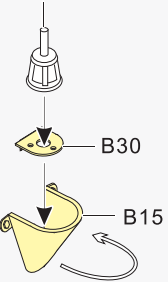


更多PE351052样品照片参考请扫一扫
MORE PICTUER OF PE 351052
REFERENCE SCAN HERE

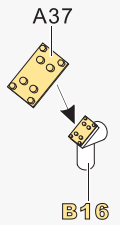
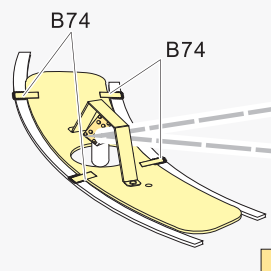
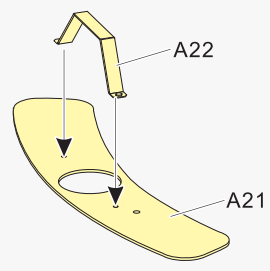


F24

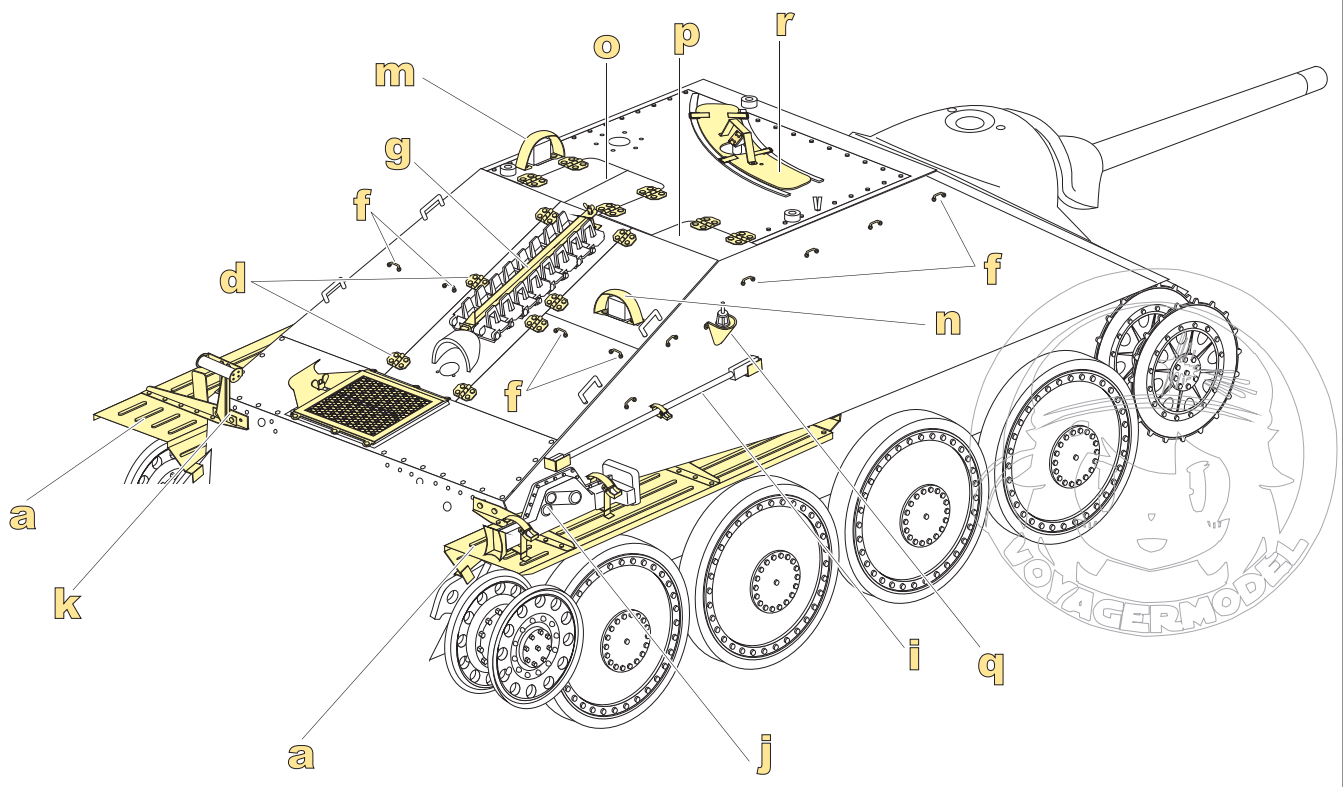
树脂件
Resin part



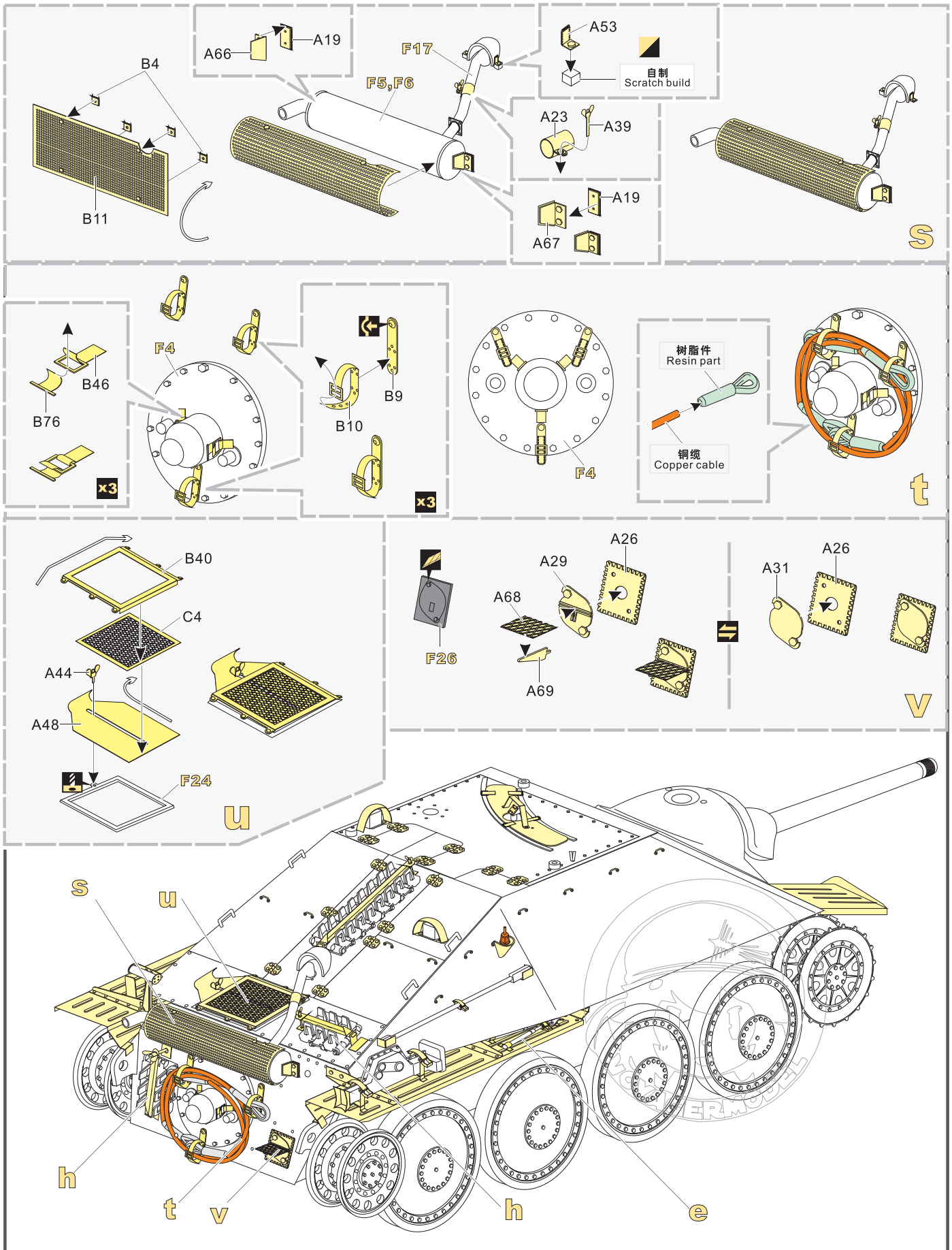
q



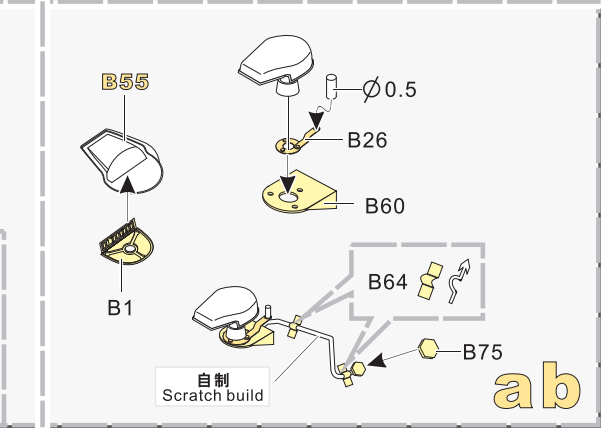
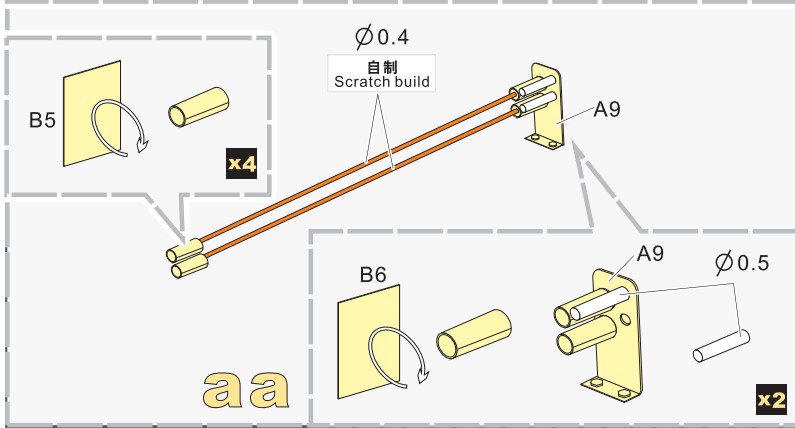
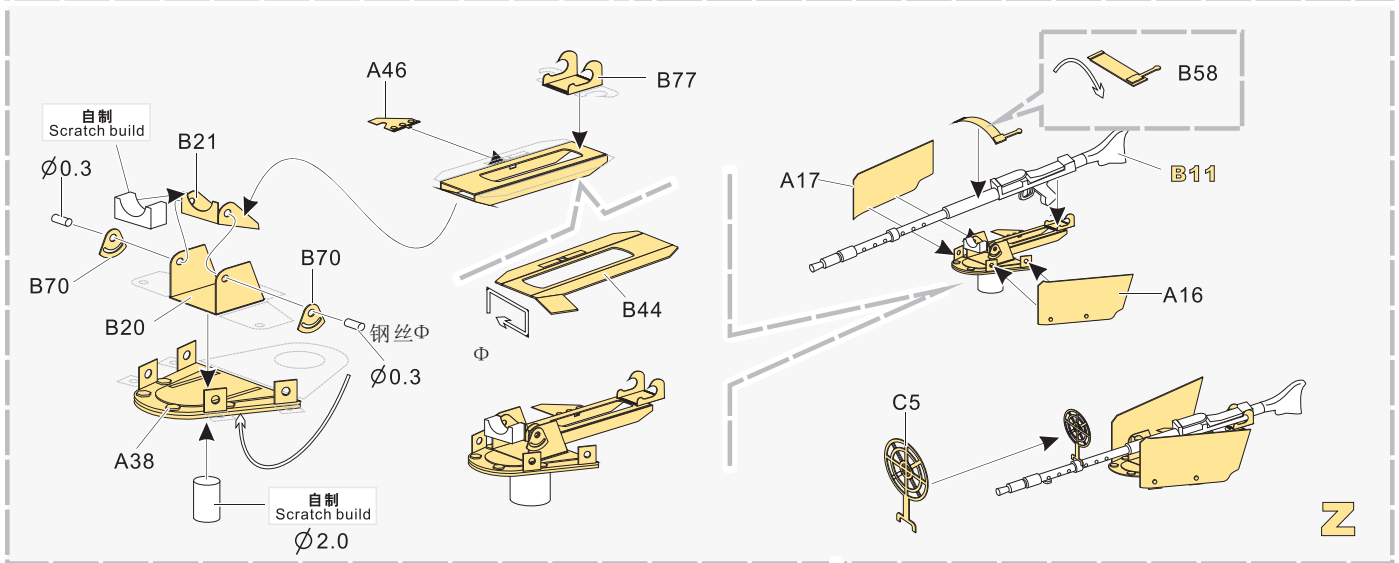
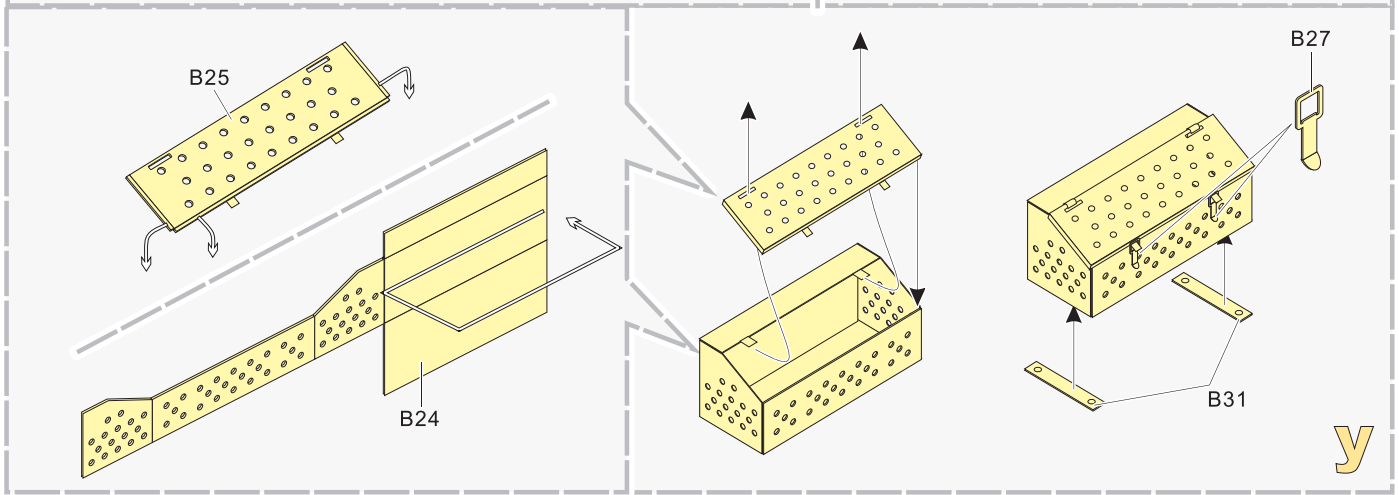
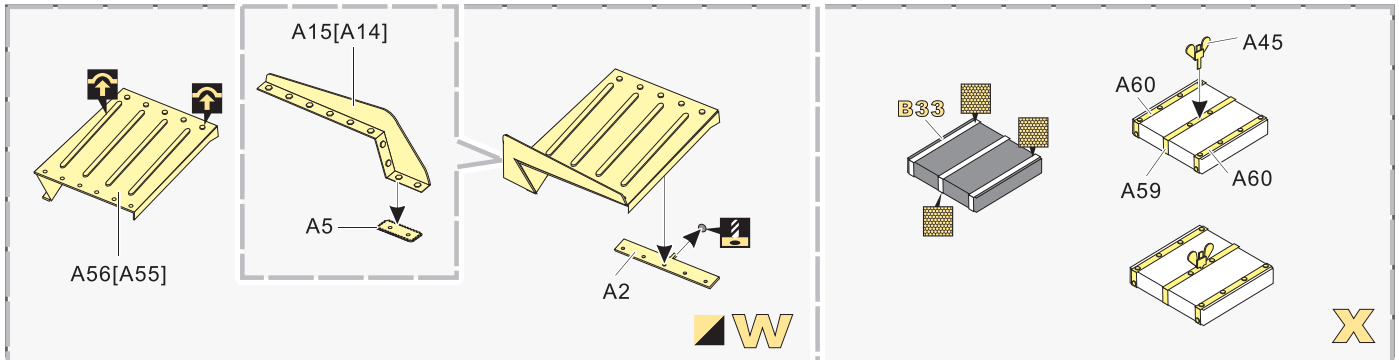
r



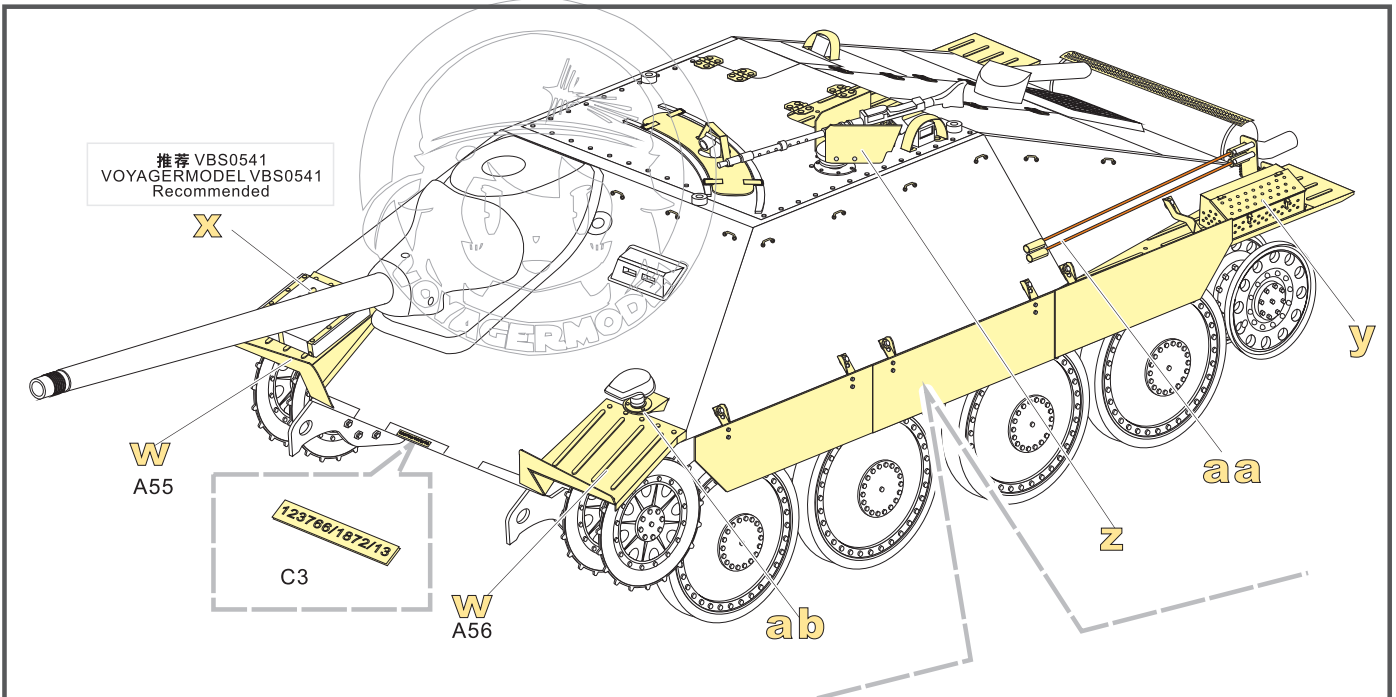
1/35 MILITARY MINIATURE VEHICLE UPGRADE SERIES PE351052



1/35 MILITARY MINIATURE VEHICLE UPGRADE SERIES PE351052



1/35 MILITARY MINIATURE VEHICLE UPGRADE SERIES PE351052

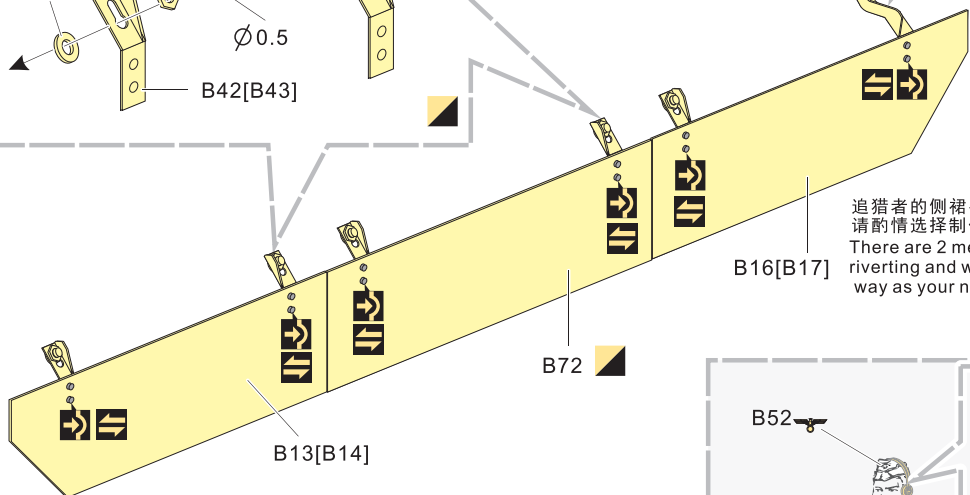
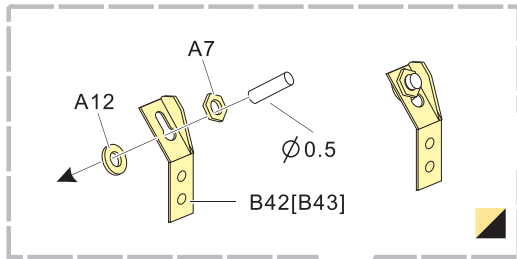
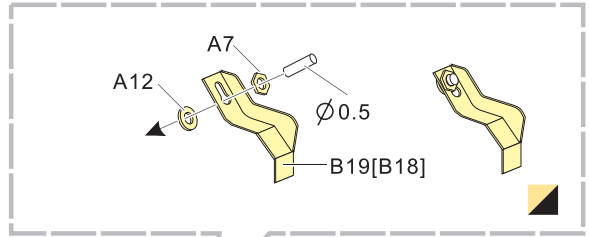


推荐 VBS0541
VOYAGERMODEL VBS0541
Recommended

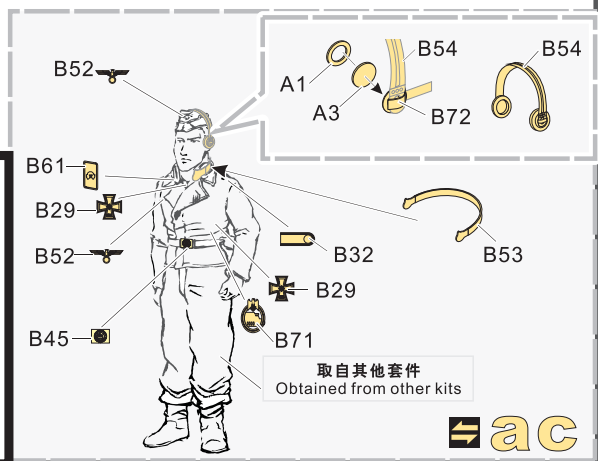
VOYAGERMODEL® 无微不至 极尽享受
The Best Upgrade Solution

Recommended item

| | |
|-----------|---|
| PE 35916 | WWII German Bergepanzer Hetzer Basic |
| PE 35176 | WWII German HETZER |
| PE 351052 | WWII German Sd.Kfz.138/2 Hetzer Tank Destroyer Early Version (B ver include Gun Barrel) |
| PE 351053 | WWII German Sd.Kfz.138/2 Hetzer Tank Destroyer Late Version (B ver include Gun Barrel) |
| PE 351038 | WWII German Sd.Kfz.138/2 Hetzer Tank Destroyer Late Version (B ver include Gun Barrel) |
| VBS 0542 | WWII German Sd.Kfz.138/2 Hetzer Tank Destroyer Middle Version Gun Barrel |
| VBS 0541 | WWII German Sd.Kfz.138/2 Hetzer Tank Destroyer Early Version Gun Barrel |



追猎者的侧裙存在铆接和焊接2种方式，
请酌情选择制作方式
There are 2 methods of side skirts of Hetzer
riveting and welding, chose the
way as your need



取自其他套件
Obtained from other kits



THE STEPS IN THE BLACK BOX APPLY FOR PE351052 B VERSION
黑框内的步骤仅适用于PE351052 B版本

金属件
Metal part