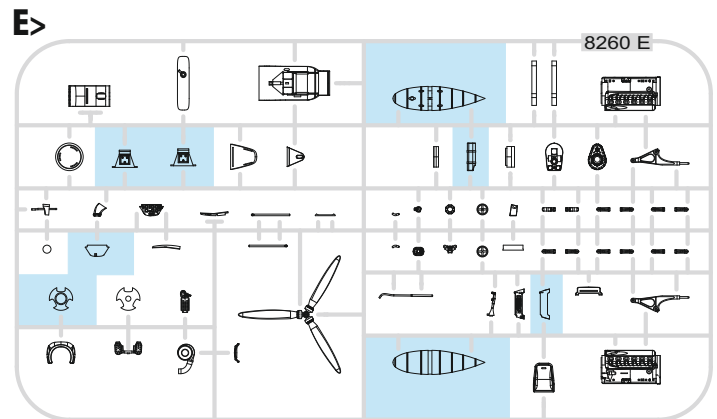
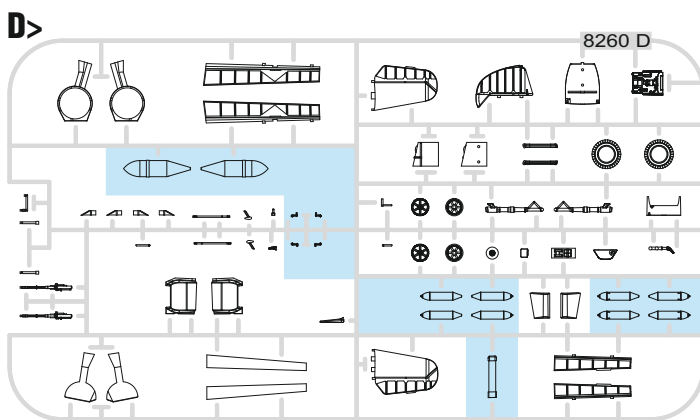
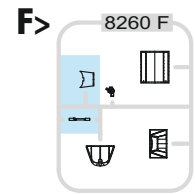
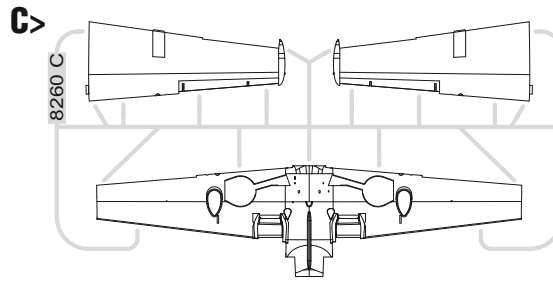
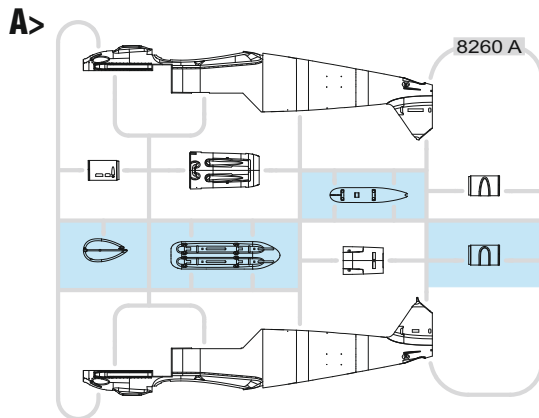


PLASTIC PARTS



GSI Creos (GUNZE)		MISSION MODELS	
AQUEOUS	Mr.COLOR	PAINTS	
H2	C2	MMP-047	BLACK
H7	C7	MMP-002	BROWN
H11	C62	MMP-001	FLAT WHITE
H12	C33	MMP-047	FLAT BLACK
H47	C41	MMP-012	RED BROWN
H64	C17	MMP-087	RLM71 DARK GREEN
H65	C18	MMP-088	RLM70 BLACK GREEN
H67	C115	MMP-057	RLM65 LIGHT BLUE
H70	C60	MMP-056	RLM02 GRAY
H77	C137	MMP-040	TIRE BLACK

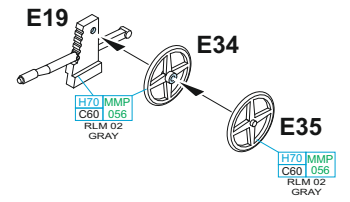
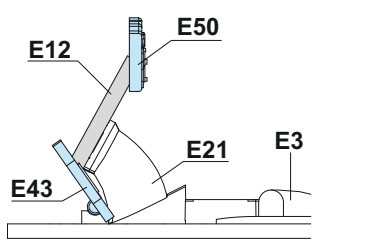
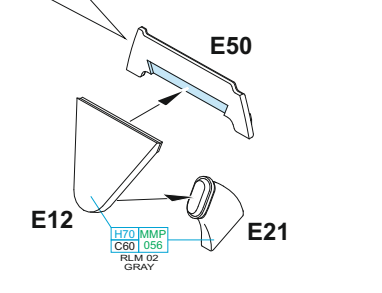
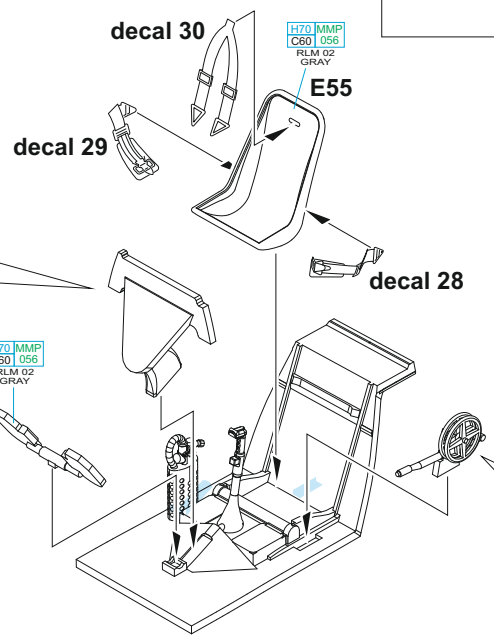
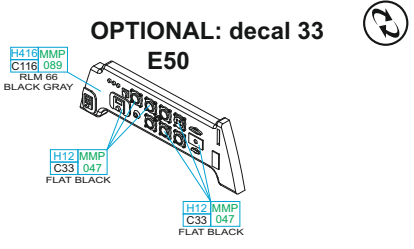
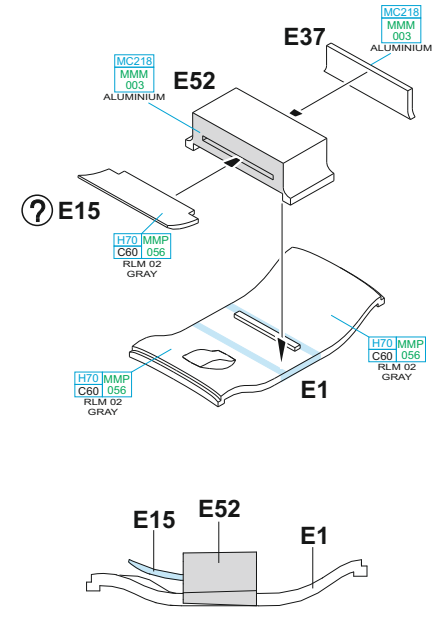
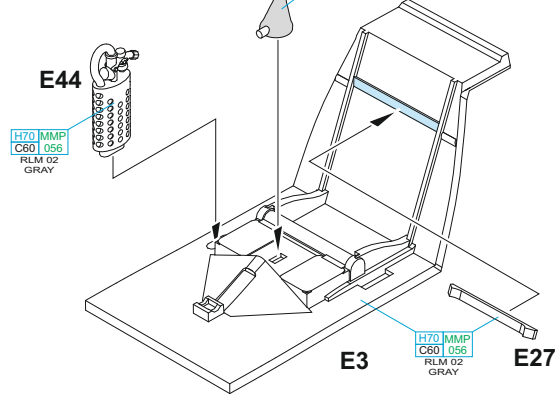
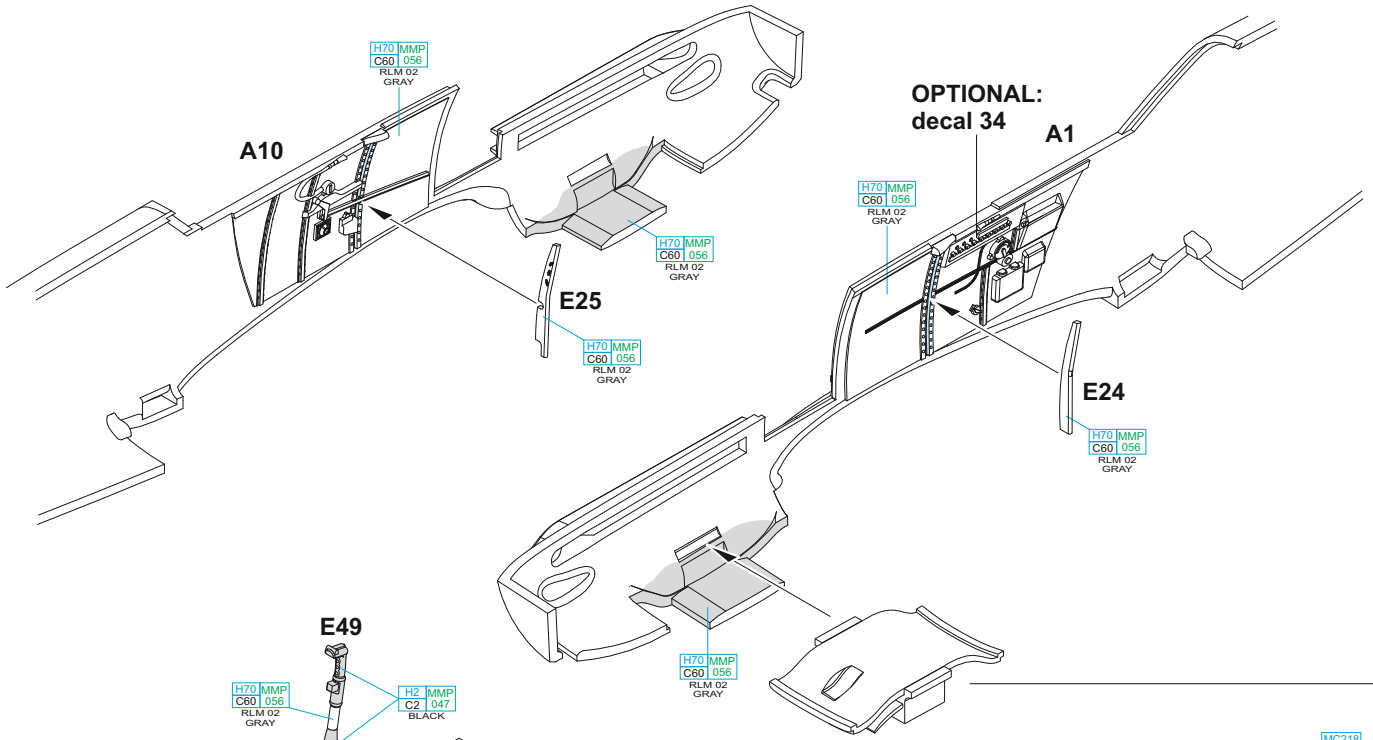
GSI Creos (GUNZE)		MISSION MODELS	
AQUEOUS	Mr.COLOR	PAINTS	
H90	C47		CLEAR RED
H94	C138		CLEAR GREEN
H413	C113	MMP-090	RLM04 YELLOW
H414	C114	MMP-003	RLM23 RED
H416	C116	MMP-089	RLM66 BLACK GRAY
Mr.METAL COLOR		METALLICS	
MC214		MMM-001	DARK IRON
MC218		MMM-003	ALUMINIUM
Mr.COLOR SUPER METALLIC		METALLICS	
SM201		MMC-001	SUPER FINE SILVER

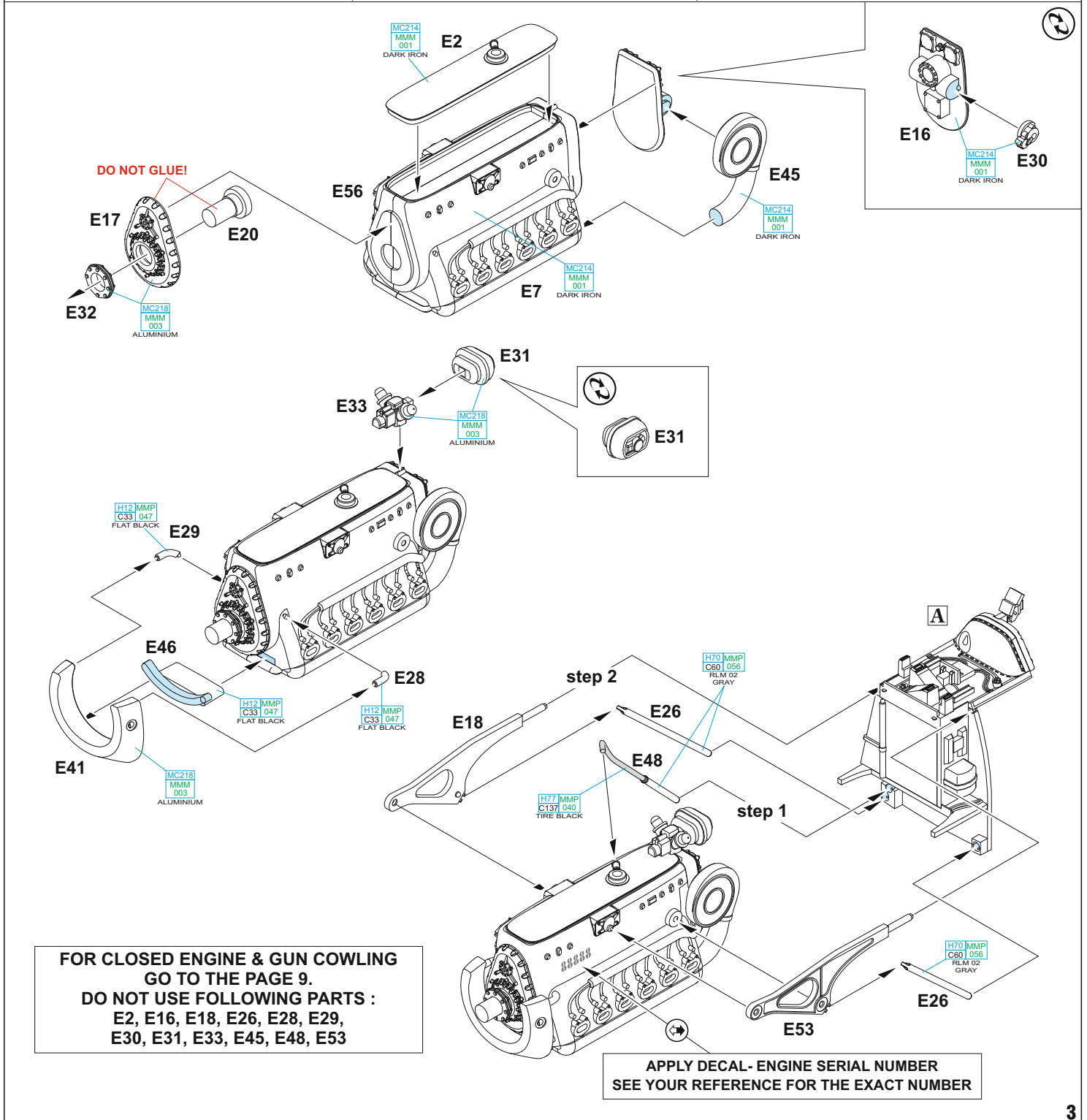
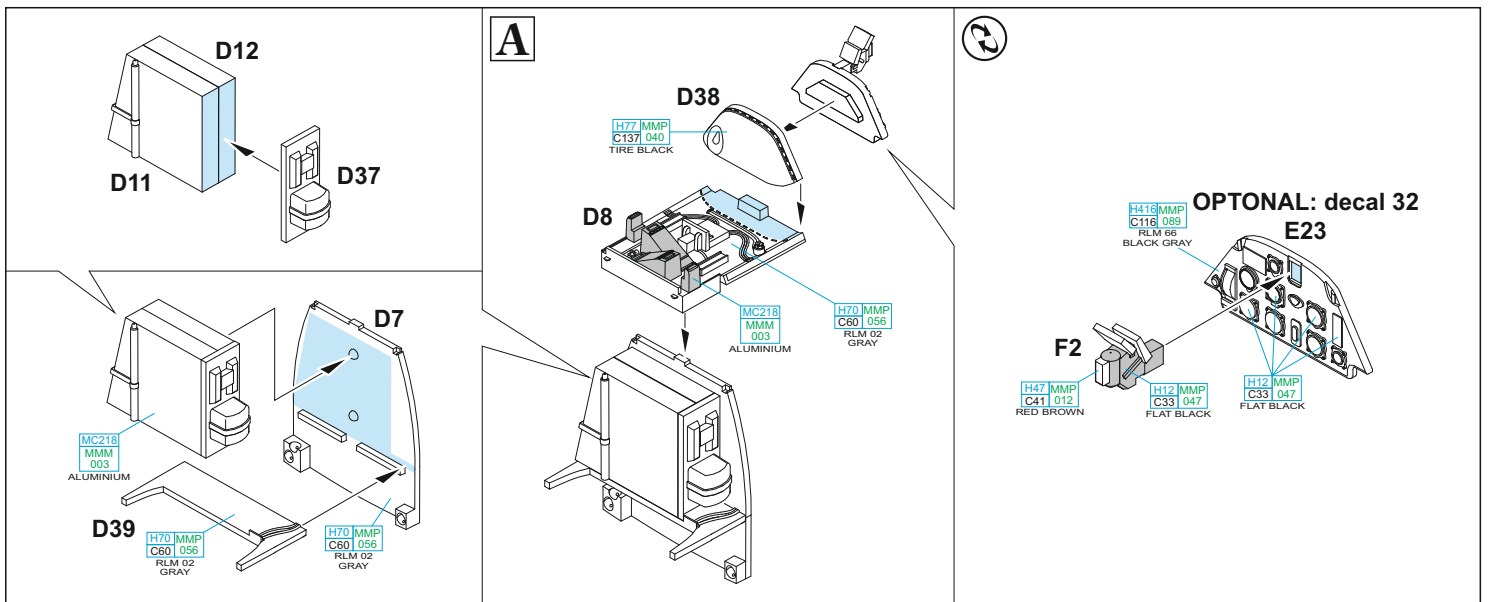
ATTENTION * UPOZORNĚNÍ * ACHTUNG * ATTENTION

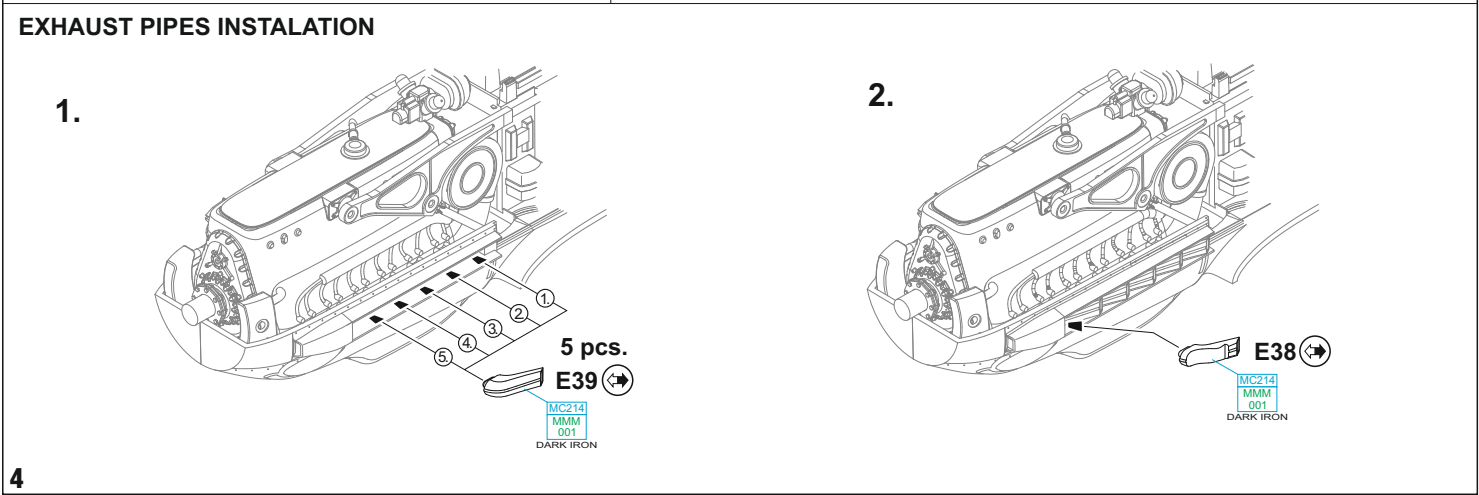
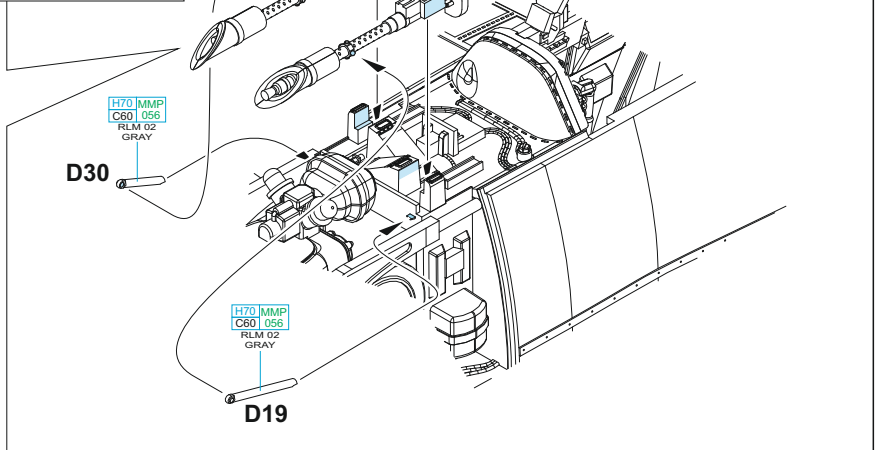
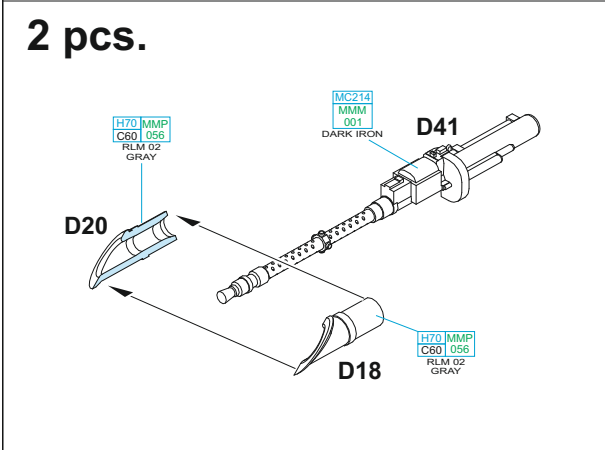
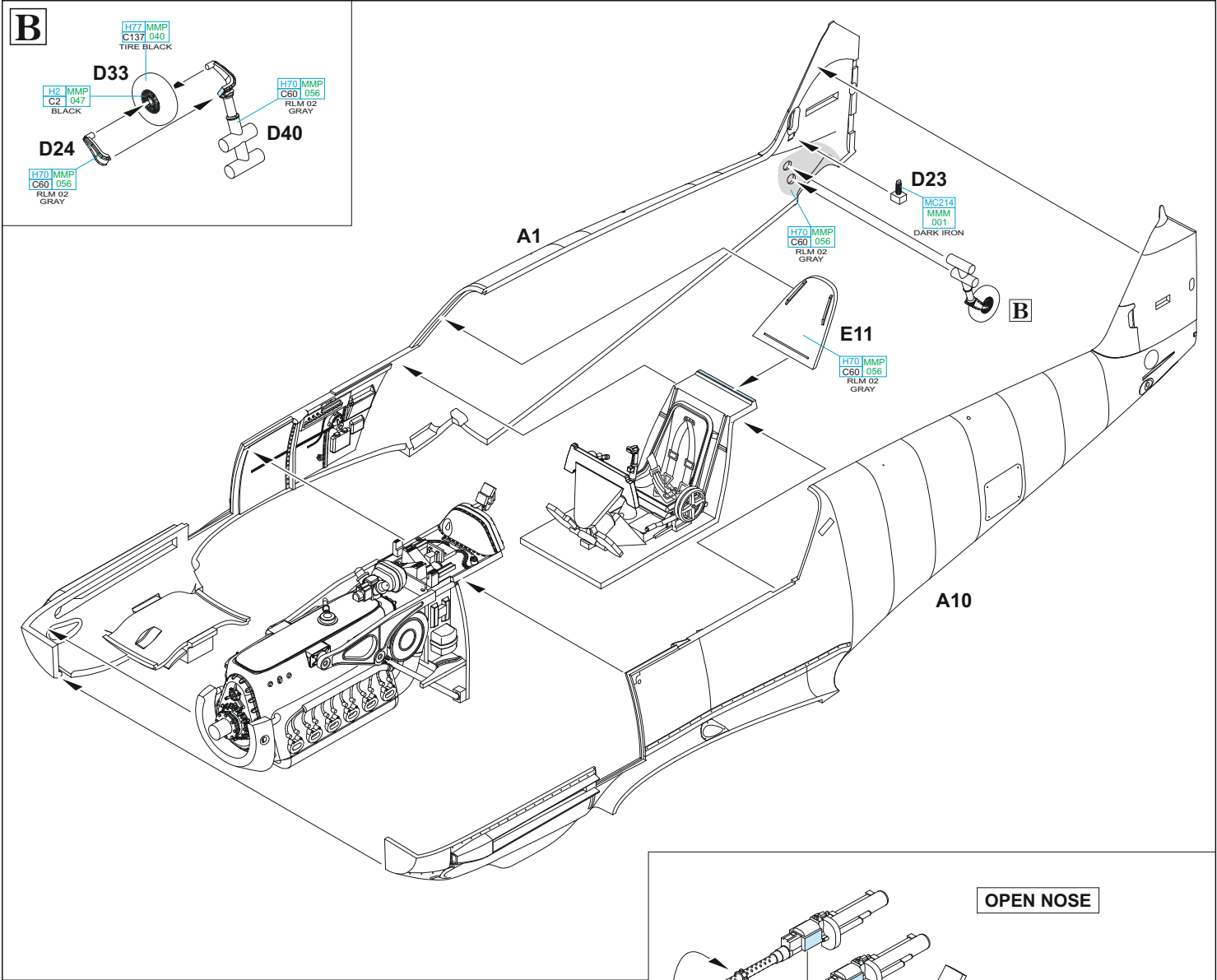
- (GB)** Carefully read instruction sheet before assembling. When you use glue or paint, do not use near open flame and use in well ventilated room. Keep out of reach of small children. Children must not be allowed to suck any part, or pull vinyl bag over the head.
- (CZ)** Před započatím stavby si pečlivě prostudujte stavební návod. Při používání barev a lepidel pracujte v dobře větrané místnosti. Lepidla ani barvy nepoužívejte v blízkosti otevřeného ohně. Model není určen malým dětem, mohlo by dojít k požití drobných dílů.
- (D)** Vor dem Zusammenbau die Bauanleitung gut durchlesen. Kleber und Farben nicht in der Nähe von offenem Feuer verwenden und für eine ausreichende Belüftung sorgen. Den Bausatz von kleinen Kindern fernhalten. Vermeiden Sie, dass Kinder Bauteile in den Mund nehmen oder sich Plastiktüten über den Kopf ziehen.
- (F)** Lire soigneusement la fiche d'instructions avant d'assembler. Ne pas utiliser de colle ou de peinture à proximité d'une flamme nue, et aérer la pièce de temps en temps. Garder hors de portée des enfants en bas âge. Ne pas laisser les enfants mettre en bouche ou sucer les pièces, ou passer un sachet vinyl sur la tête.

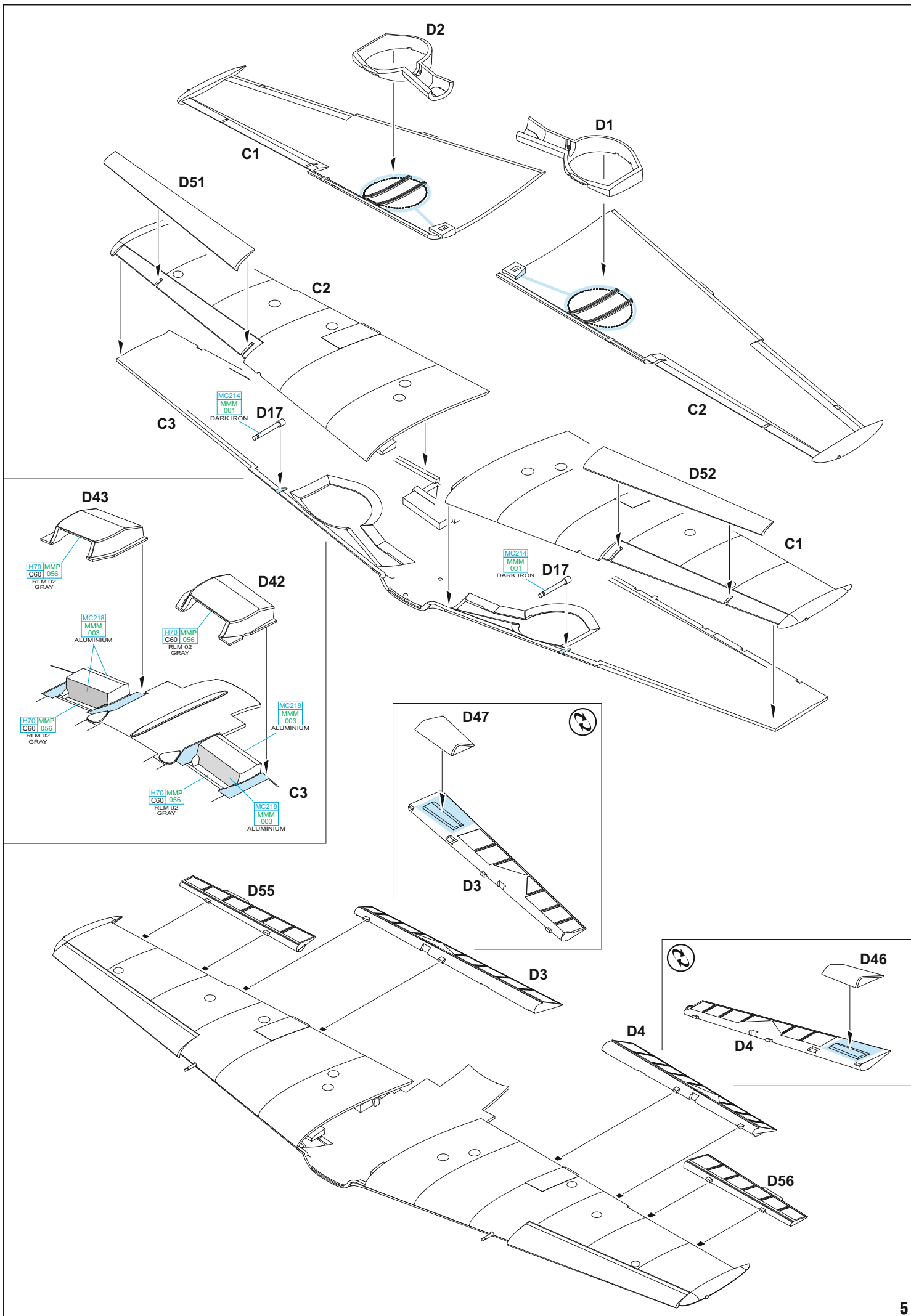
INSTRUCTION SIGNS * INSTR. SYMBOLY * INSTRUKTION SINNBILDEN * SYMBOLES

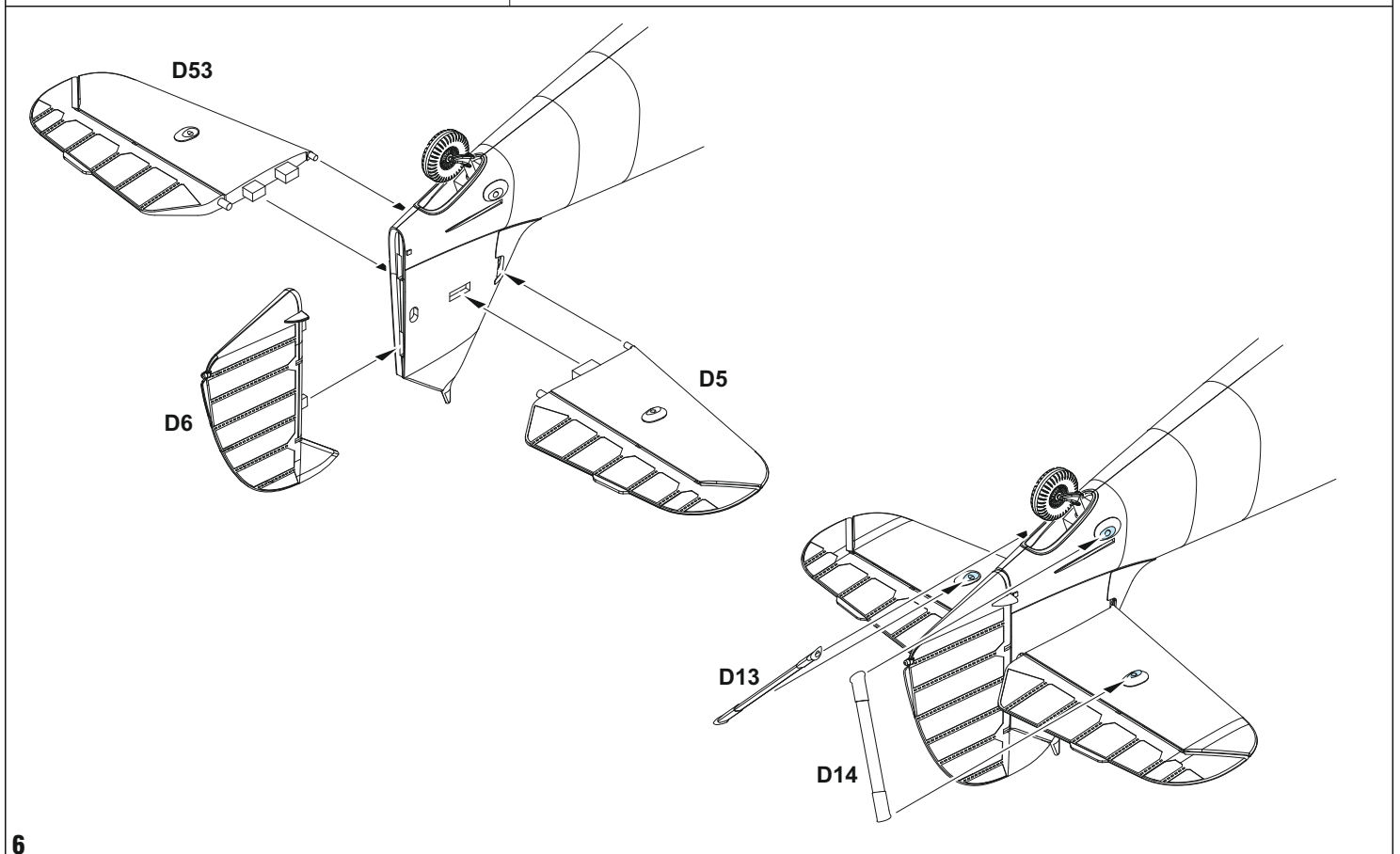
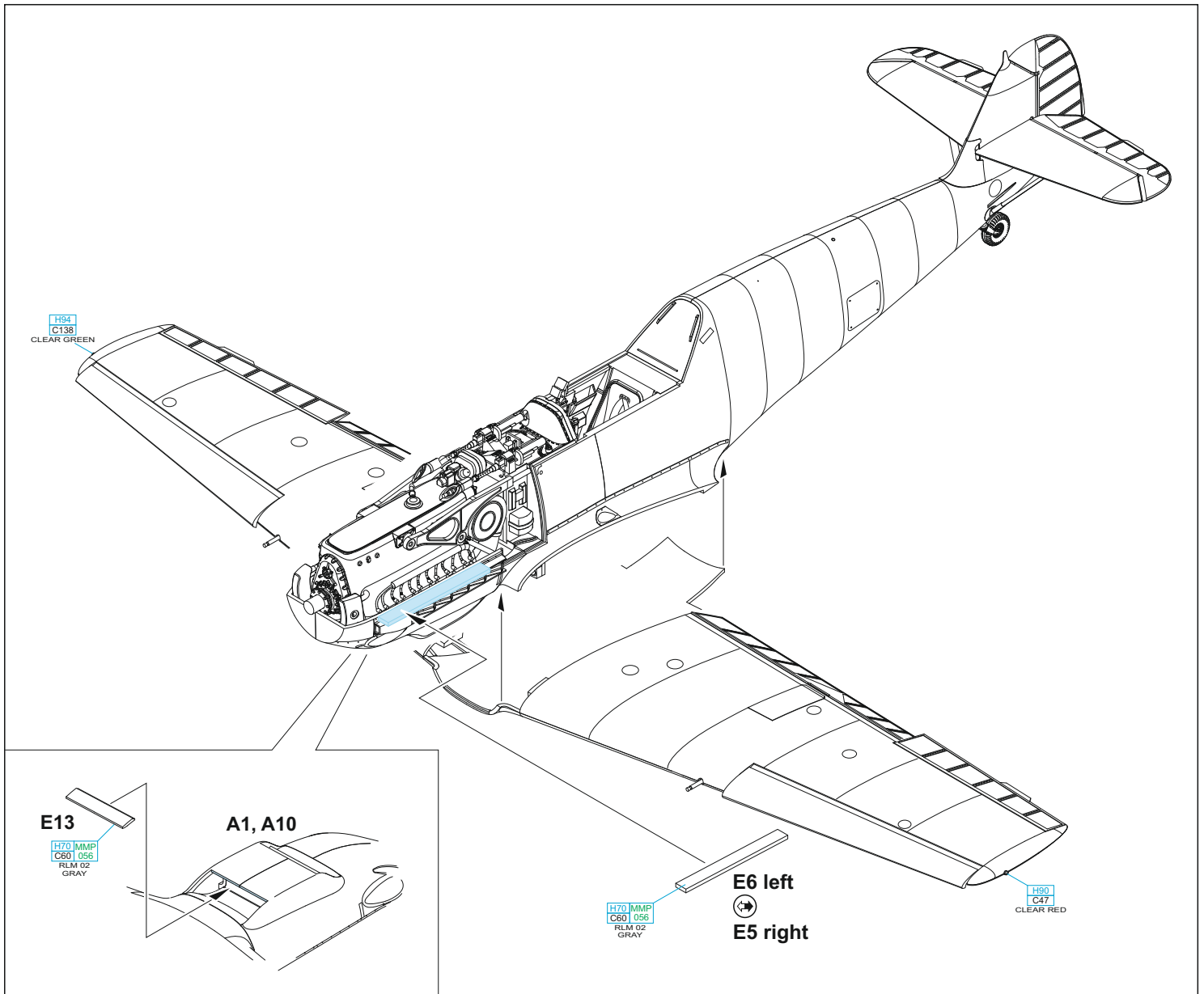
- (?)** OPTIONAL VOLBA
- (↶)** BEND OHNOUT
- (↷)** SAND BROUSIT
- (⊘)** OPEN HOLE VYVRTAT OTVOR
- (↔)** SYMETRICAL ASSEMBLY SYMETRICKÁ MONTÁŽ
- (✂)** REMOVE ODŘÍZNOUT
- (↺)** REVERSE SIDE OTOČIT
- (★)** APPLY EDUARD MASK AND PAINT POUŽIT EDUARD MASK NABARVIT

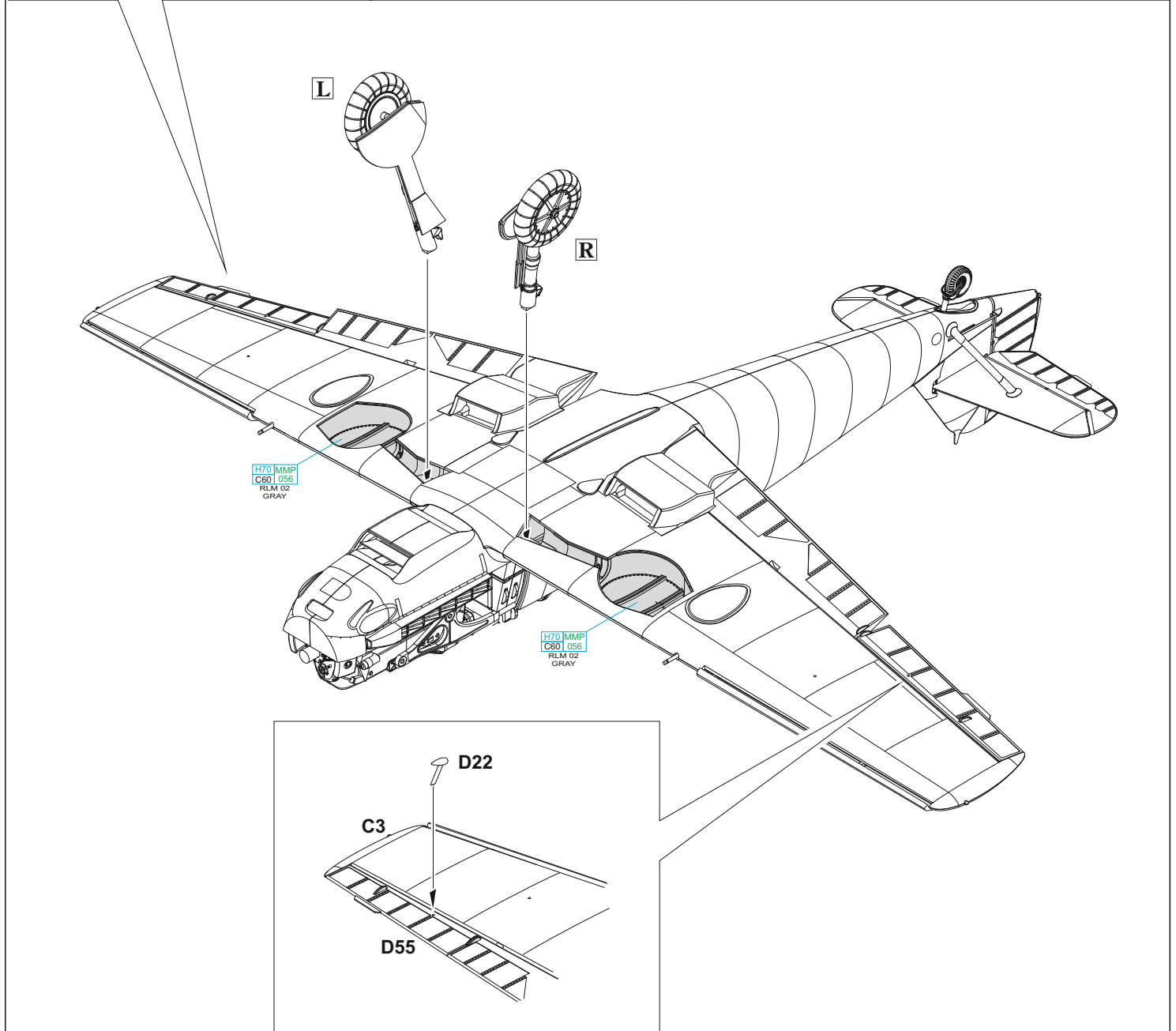
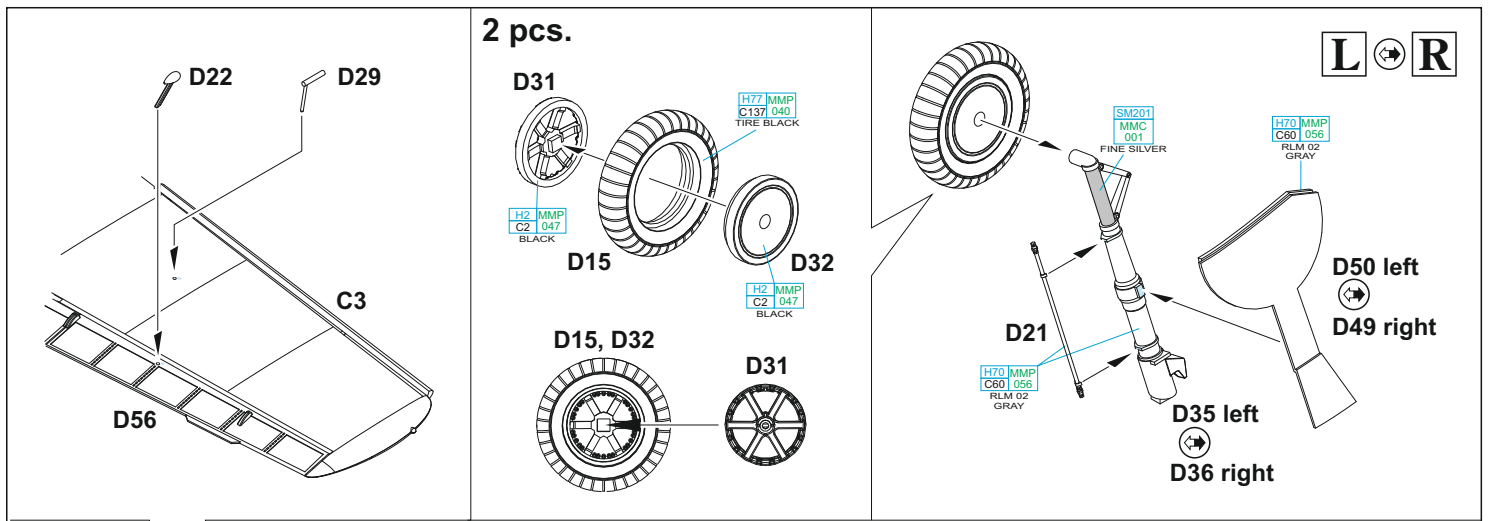




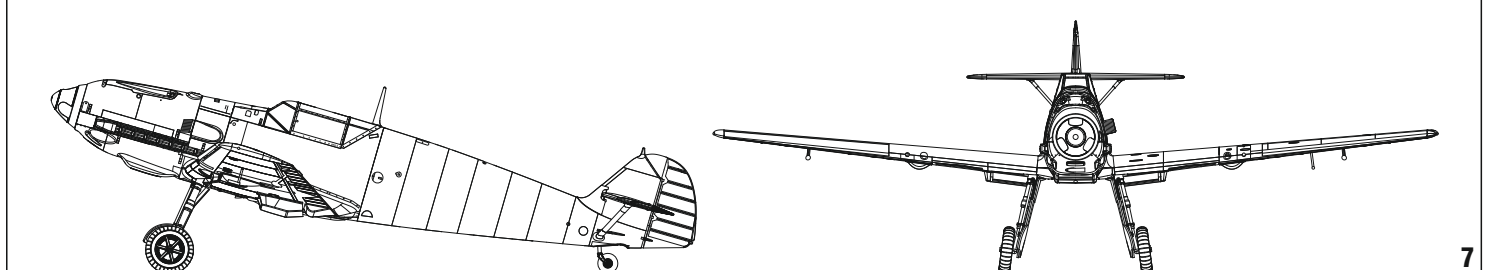




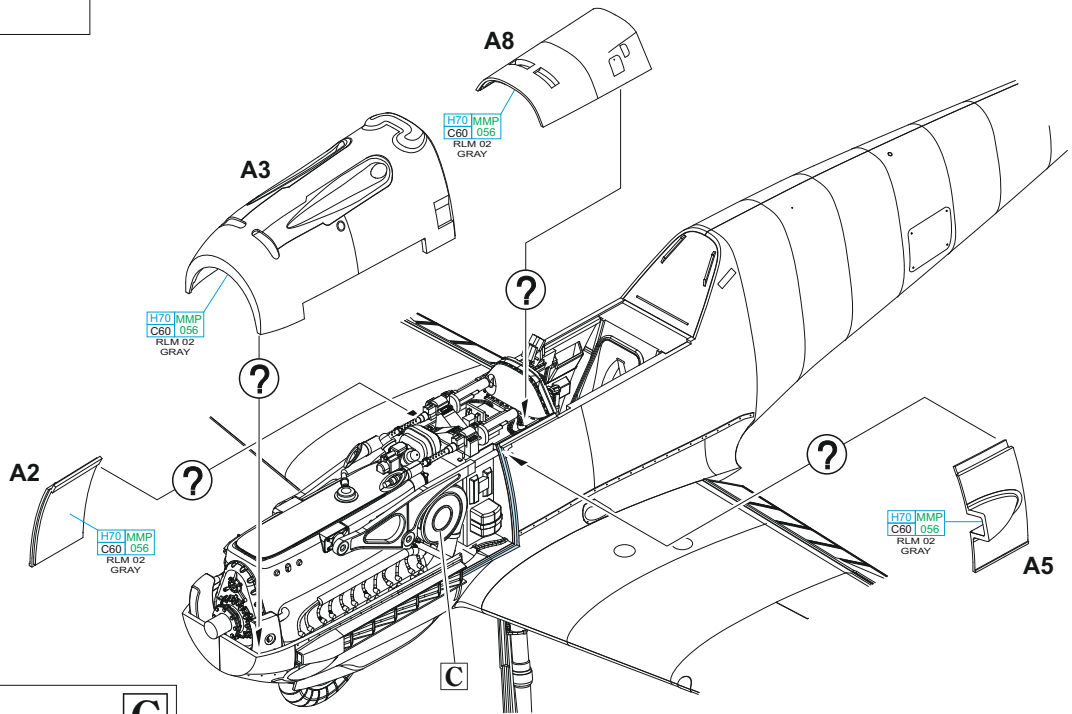




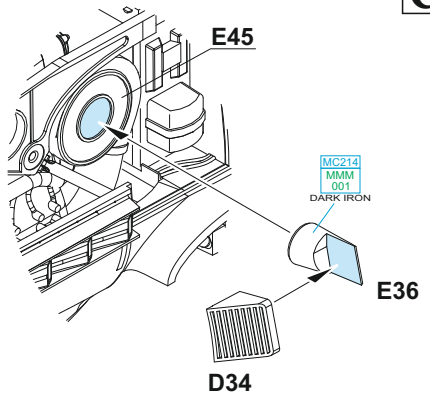
THE CORRECT POSITION OF THE UNDERCARRIAGE LEGS



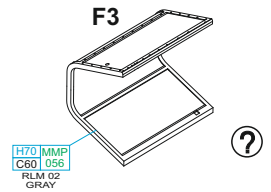
**FOR CLOSED NOSE
SEE PAGE 9**



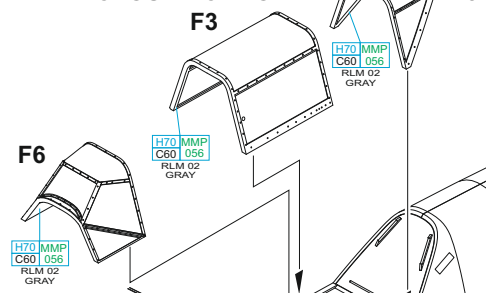
C



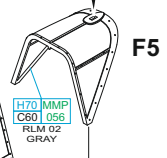
**OPEN CANOPY
F3**



**CLOSED CANOPY
F3**



D44



E47

H65 MMP C18 088 RLM 70 BLACK GREEN

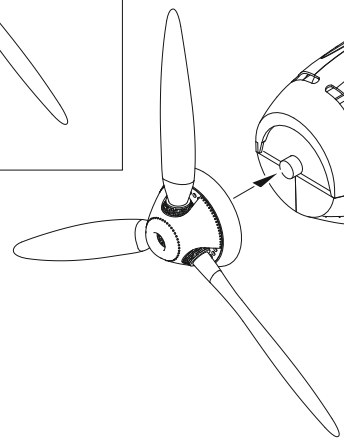
MC218 MMM 003 ALUMINIUM

MC218 MMM 003 ALUMINIUM

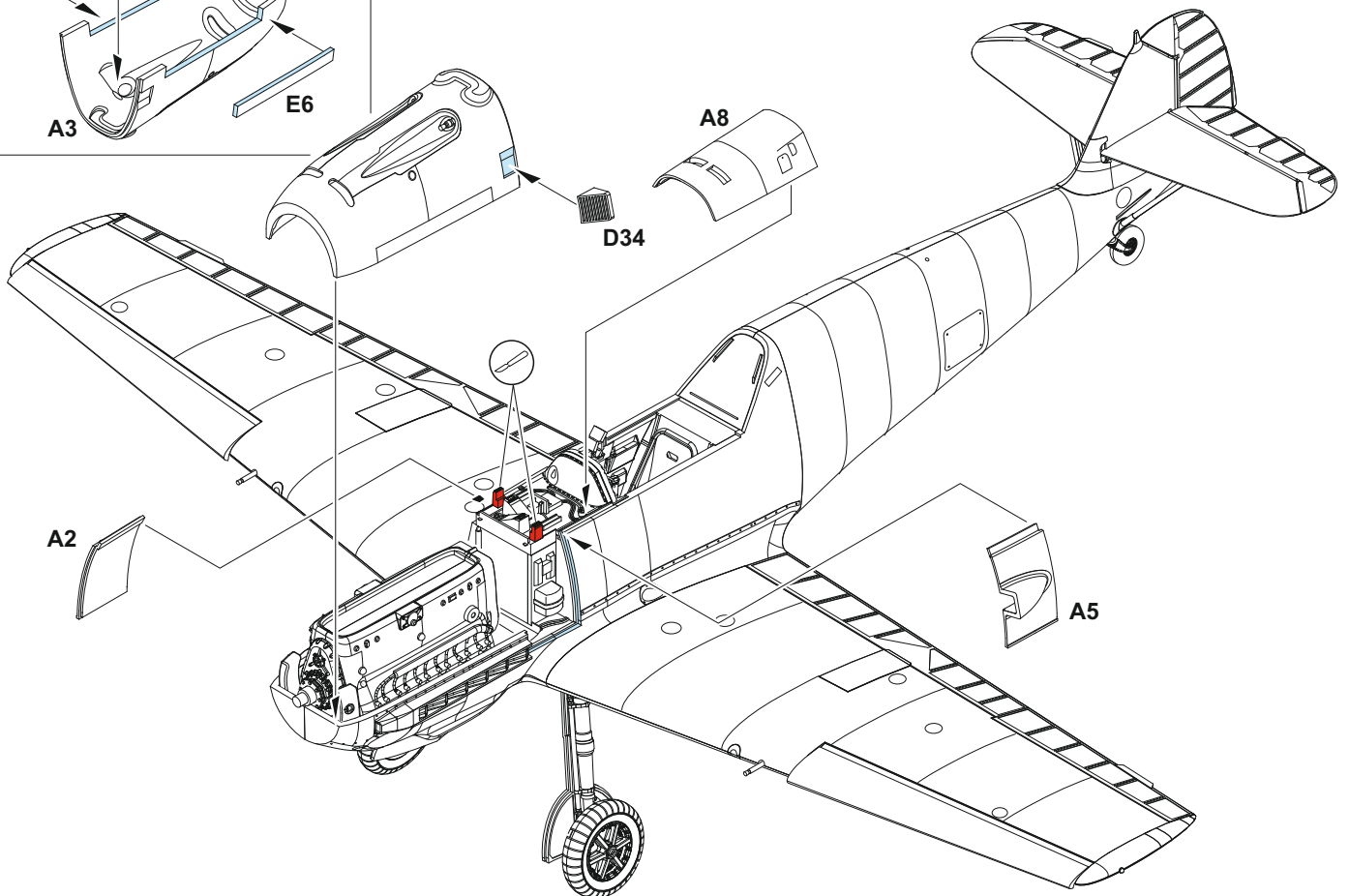
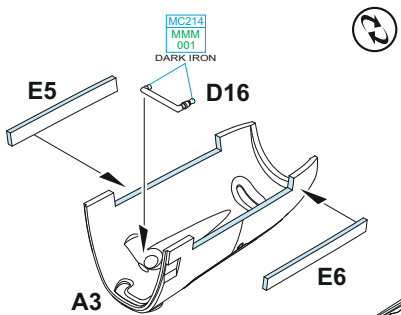
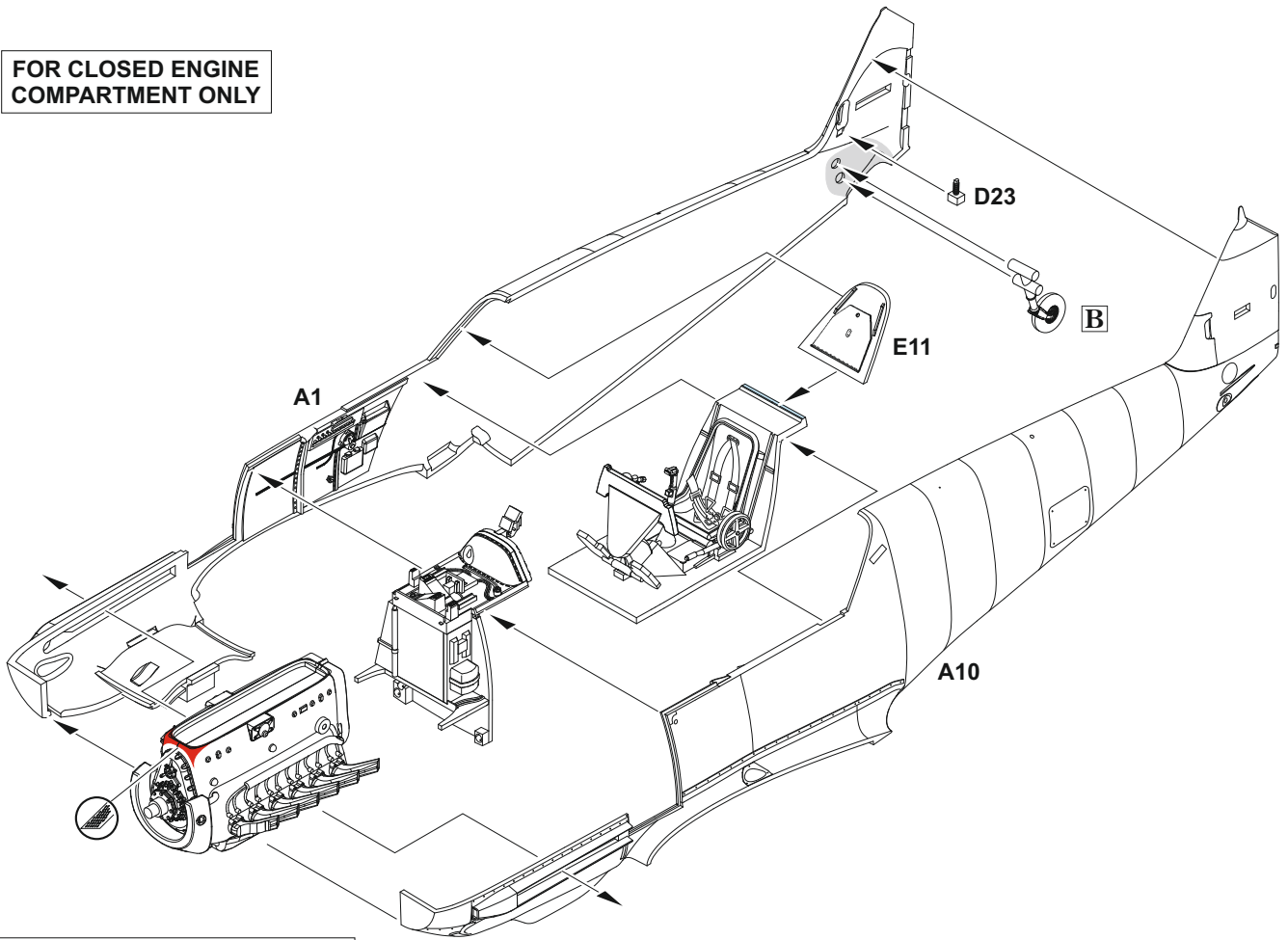
E8

E42

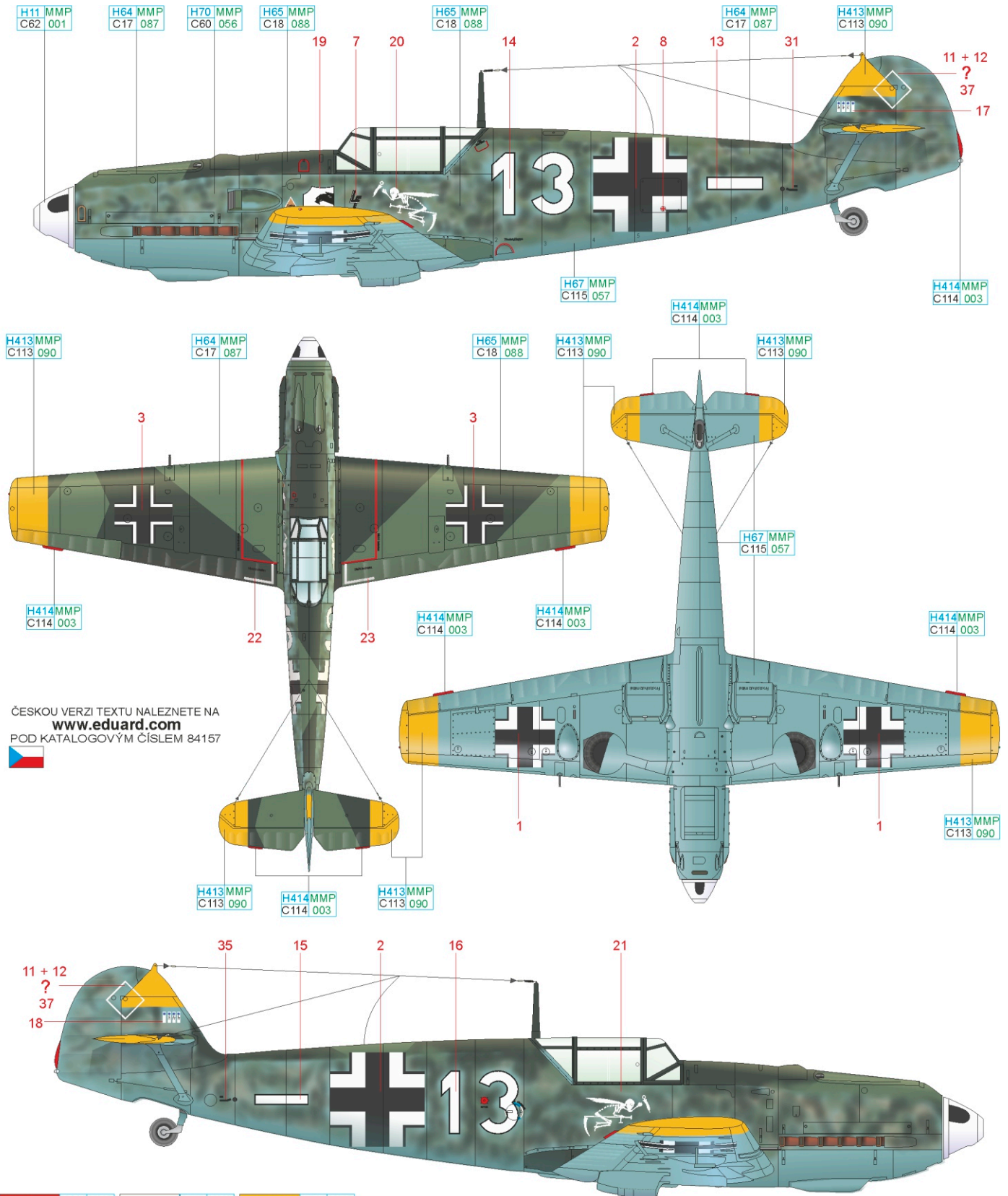
H65 MMP C18 088 RLM 70 BLACK GREEN



FOR CLOSED ENGINE COMPARTMENT ONLY



Having completed the pilot training Helmut Henz was assigned to I./JG 136 and then dispatched to Legion Condor to gain experience in Spanish Civil War combat. At the World War outbreak Oblt. Henz was the part of 4. Staffel JG 77 leadership. He claimed his first kill on December 14th, 1939 shooting down British Wellington. JG 77 was a part of the invasion forces during the attack on Norway. Its 4th Staffel led by Oblt. Henz relocated to Kristiansand - Kjevik airport on April 11th, 1940. II. Gruppe JG 77 stayed in Norway until November 1940 when it relocated to the Channel Front. In April 1941, before the attack against Yugoslavia and Greece (Operation Marita), Hptm. Henz was promoted to command the entire II./JG 77 which he led during the combat in the South of Europe until May 25th, 1941 when he scrambled to protect ship convoy to Crete against attacking Blenheims. British bomber gunner hit Henz's aircraft which, with the pilot on board, crashed into the sea nearby Greek island of Antikythera. The original camouflage in RLM 70/71/65 colors with high demarcation between upper and lower colors on the fuselage (so-called 40-er Anstrich) had irregular blotches of RLM 70, 71 and 02 added on the aircraft fuselage sides for better concealment. On the airplane port side under the windshield II. Gruppe insignia can be located, white skeleton with an umbrella flying on the scythe, 4. Staffel insignia, was painted under the canopy. LF are the name initials of the pilot's girlfriend.



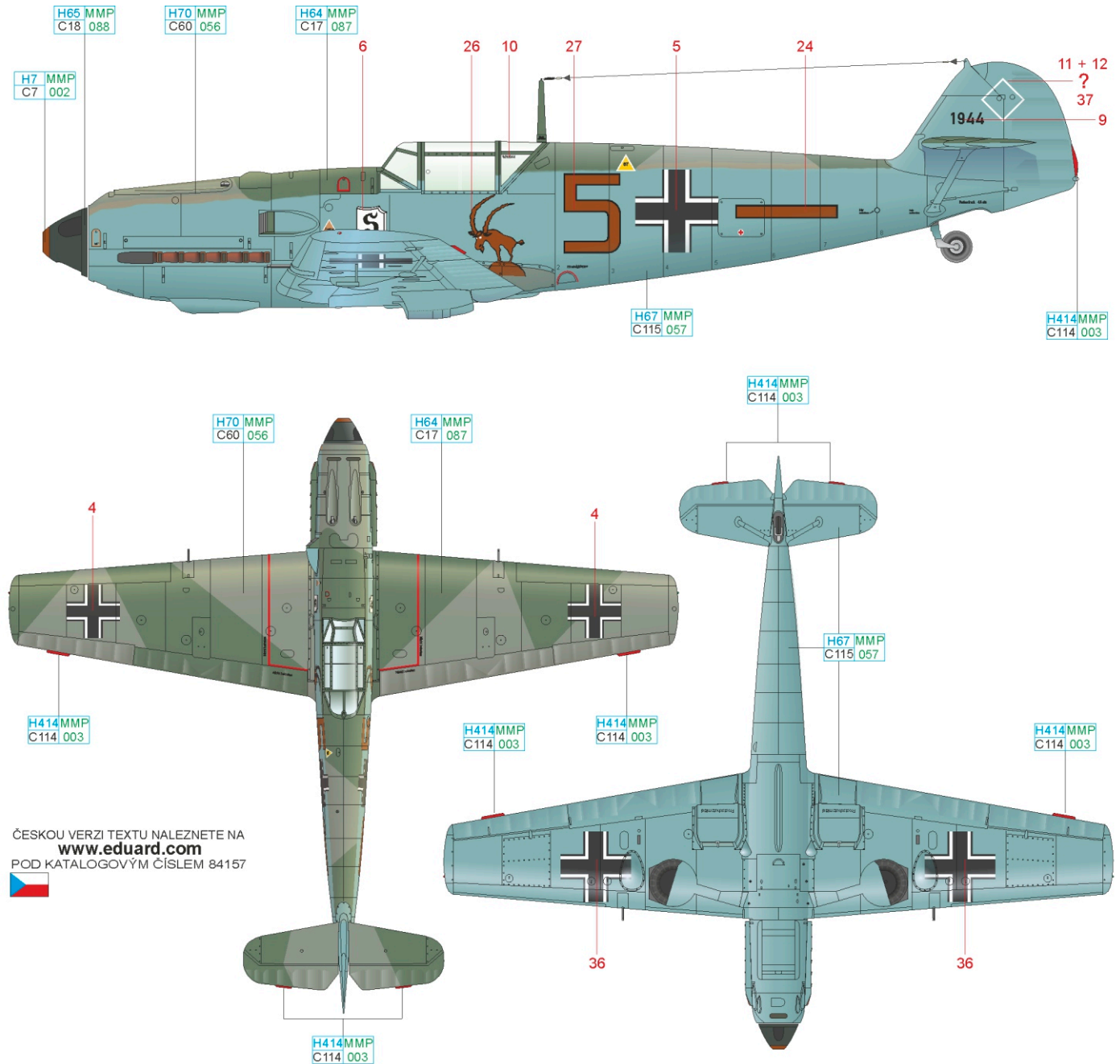
ČESKOU VERZI TEXTU NALEZNETE NA
www.eduard.com
 POD KATALOGOVÝM ČÍSLEM 84157



RLM 23	H414 MMP C114 003	WHITE	H11 MMP C62 001	RLM 04	H413 MMP C113 090
RLM 70	H65 MMP C18 088	RLM 71	H64 MMP C17 087	RLM 02	H70 MMP C60 056
				RLM 65	H67 MMP C115 057

B W.Nr. 1944, flown by Fw. Ernst Nischik, 6./JG 26, Dortmund, Germany, early 1940

New camouflage scheme, consisting of RLM 71 and 02 colors on the fuselage upper and side surfaces and wings, with lower surfaces in RLM 65 color with high demarcation between the upper and lower colors, was carried by Nischik's machine „brown 5“ as well. Since December 1939 Messerschmitts Bf 109D and E were not only leaving the factory assembly lines in such camouflage but were also repainted in the same manner at the unit level. Initially, II. Gruppe JG 132, in May 1939 re-designed as II. Gruppe JG 26, was based together with I./JG 26 at the Dortmund airport from which it flew reconnaissance sorties against the Allied reconnaissance flights.



ČESKOU VERZI TEXTU NALEZNETE NA
www.eduard.com
 POD KATALOGOVÝM ČÍSLEM 84157



RLM 23	H414 MMP C114 003	BROWN	H7 MMP C7 002	
RLM 70	H65 MMP C18 088	RLM 71	H64 MMP C17 087	
	RLM 02	H70 MMP C60 056	RLM 65	H67 MMP C115 057

