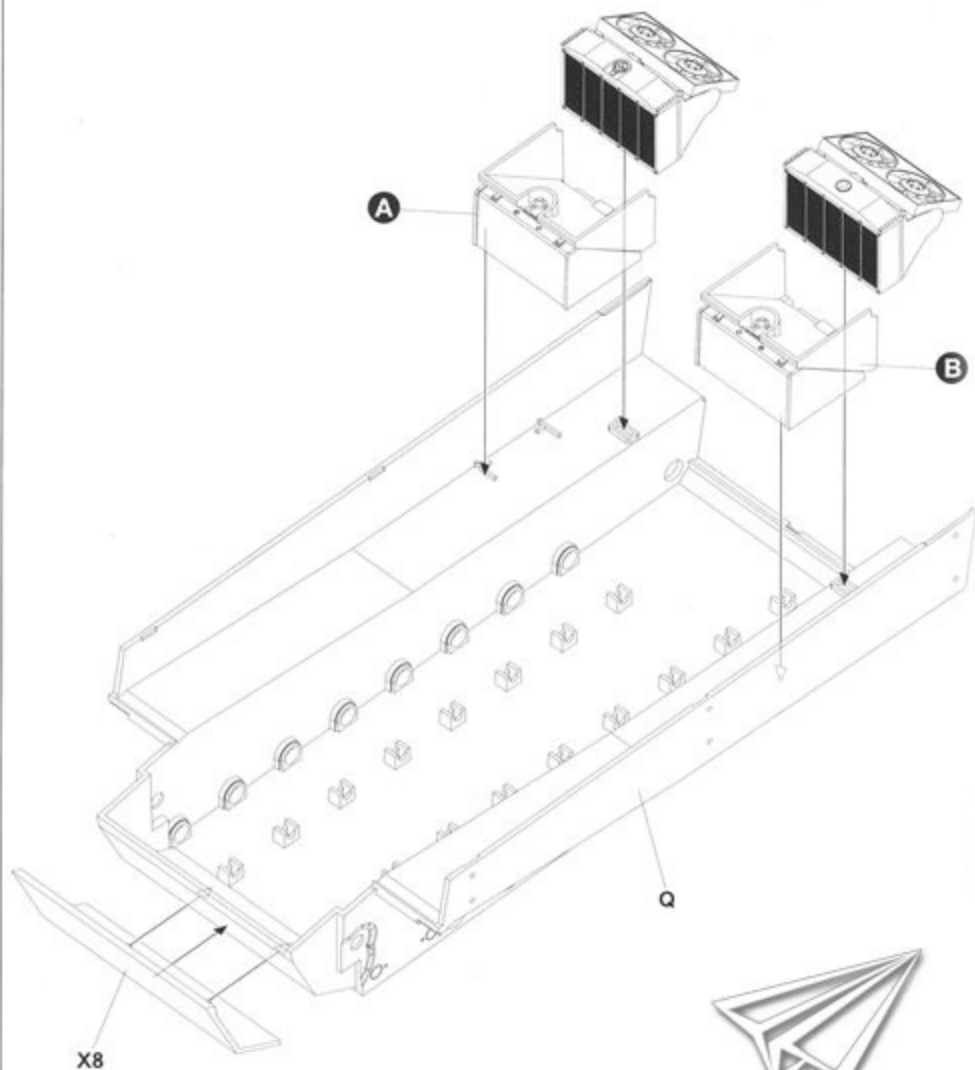
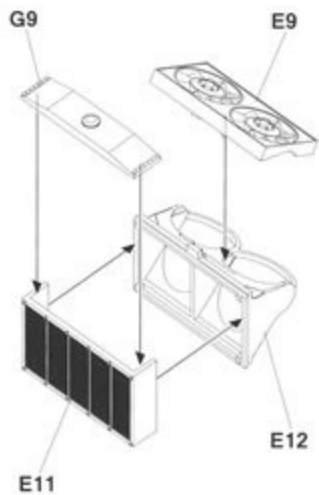
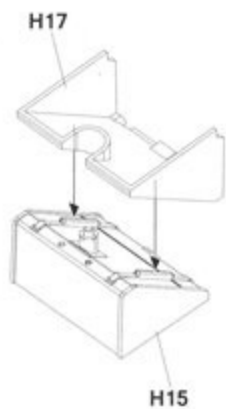
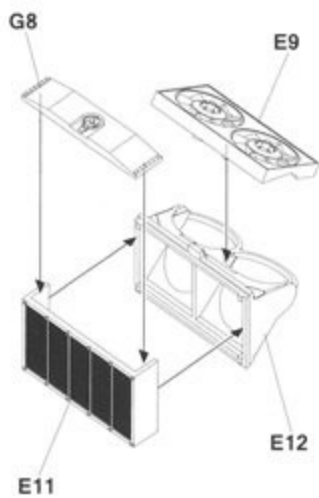
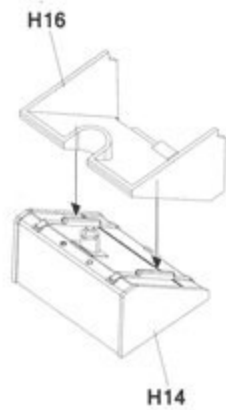
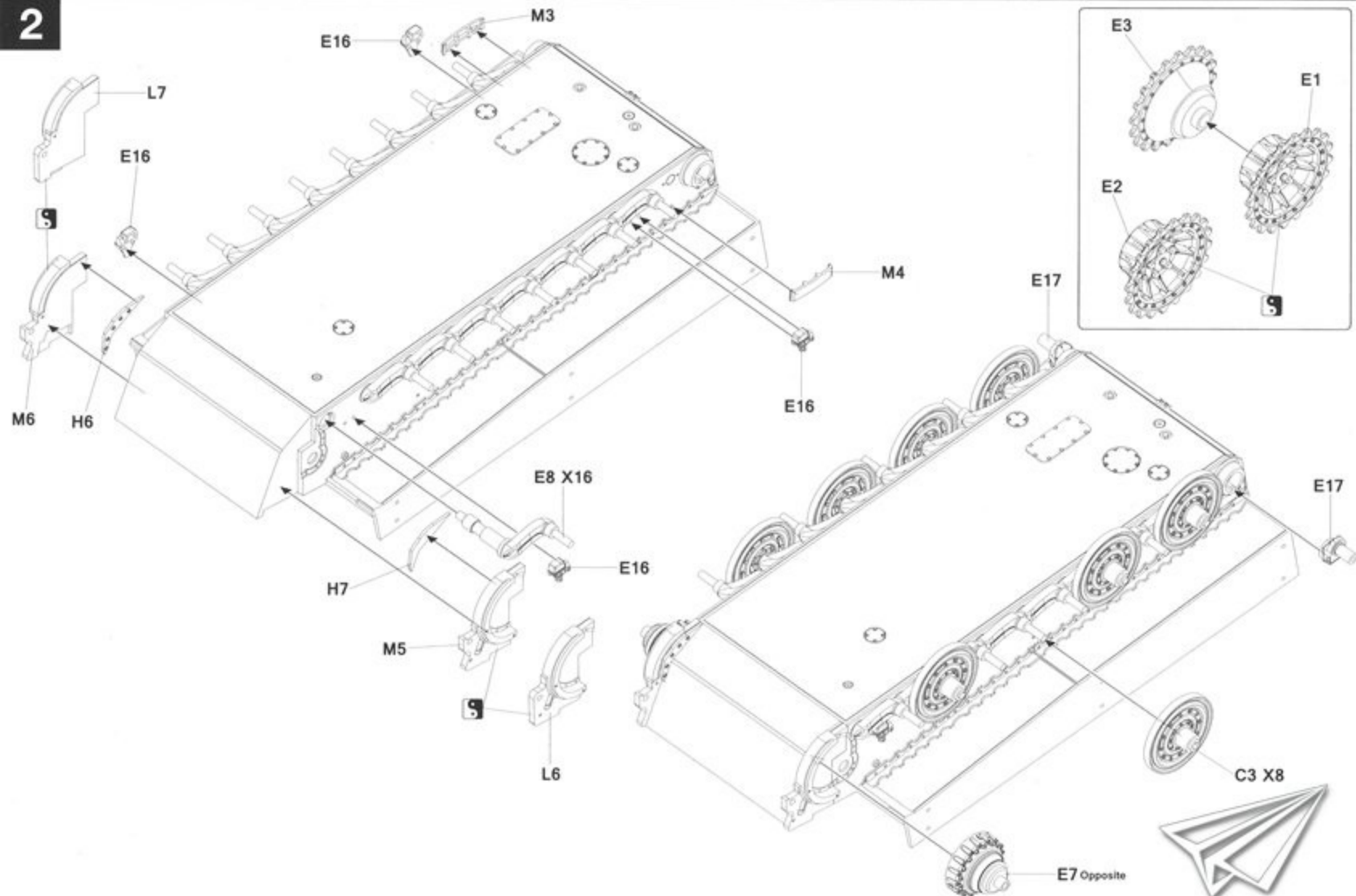
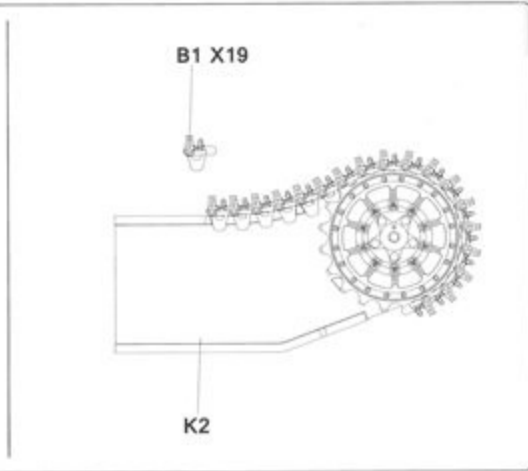
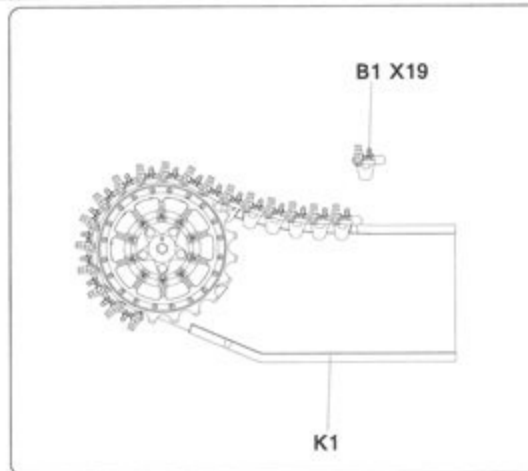
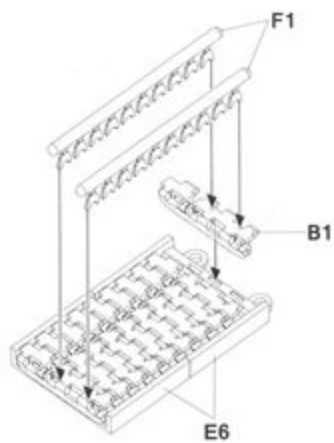
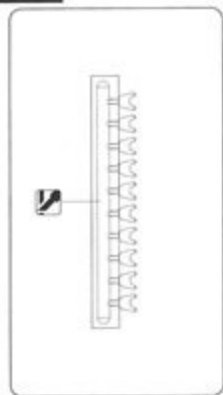
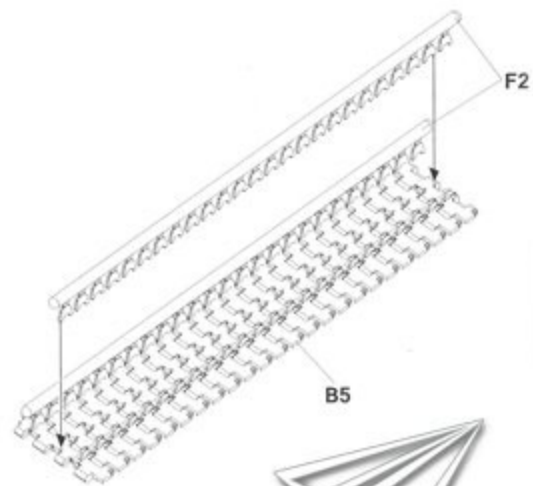
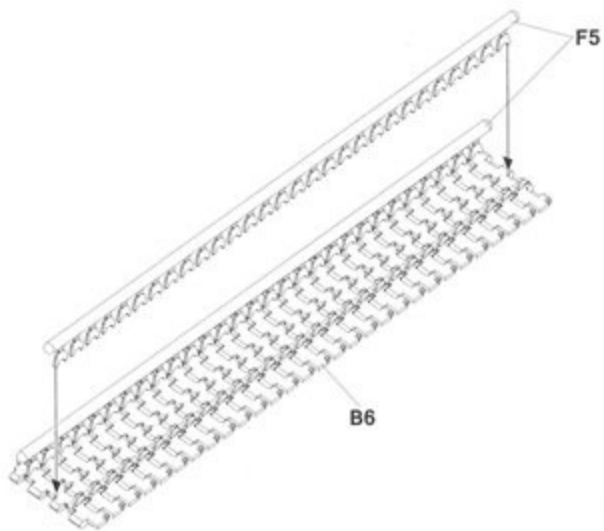
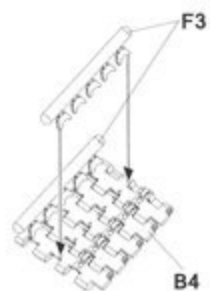
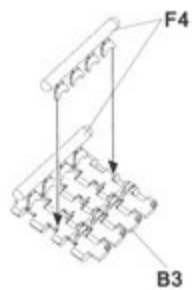


1**3**

2



4

3**4****5**

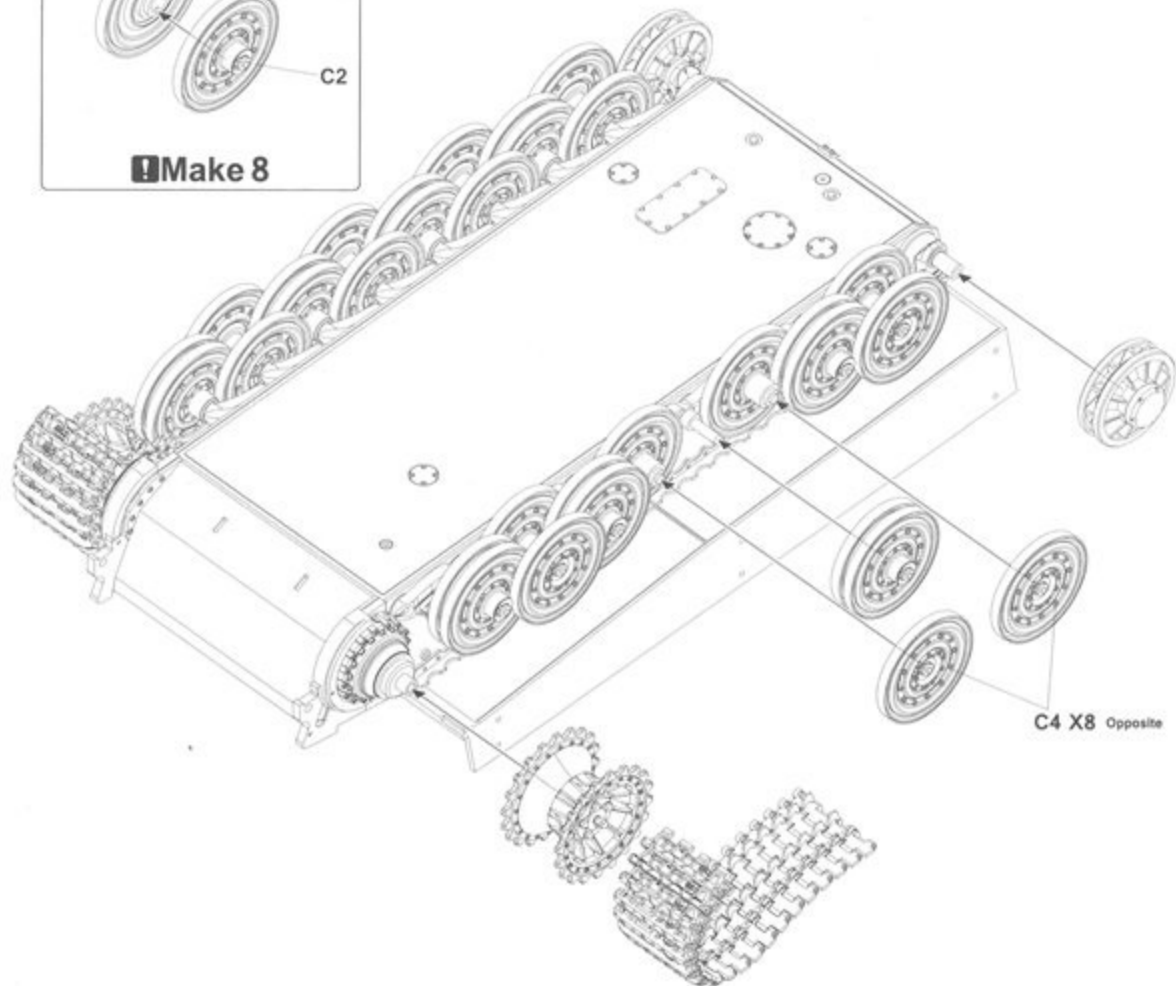
5

C1



C2

Make 8



C6



C5

Make 2

9

E5

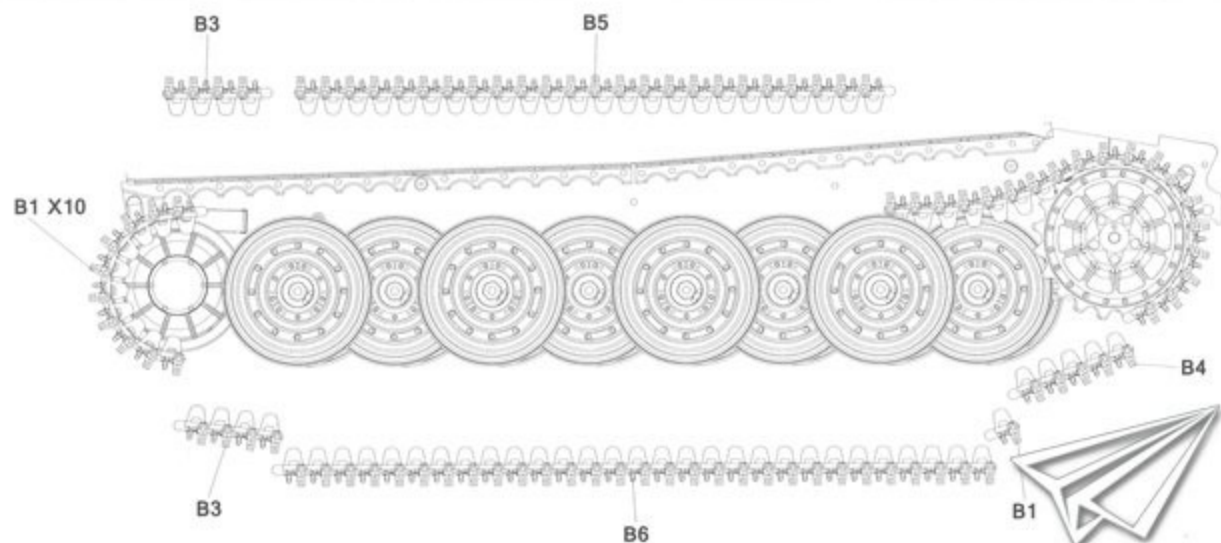
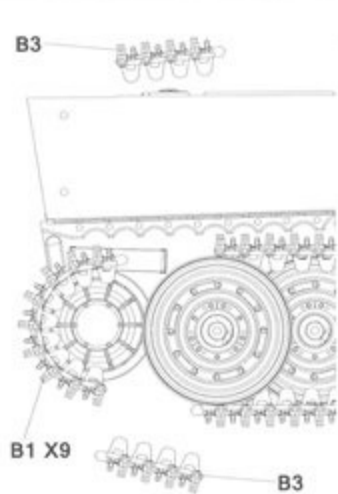
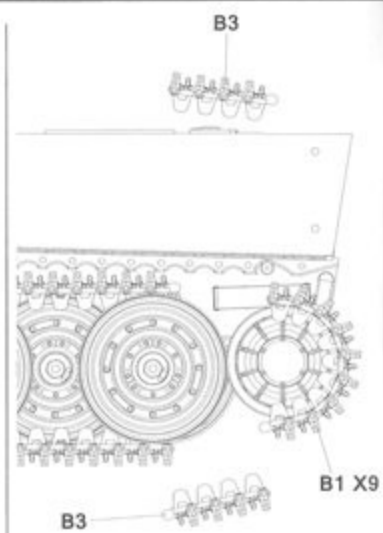
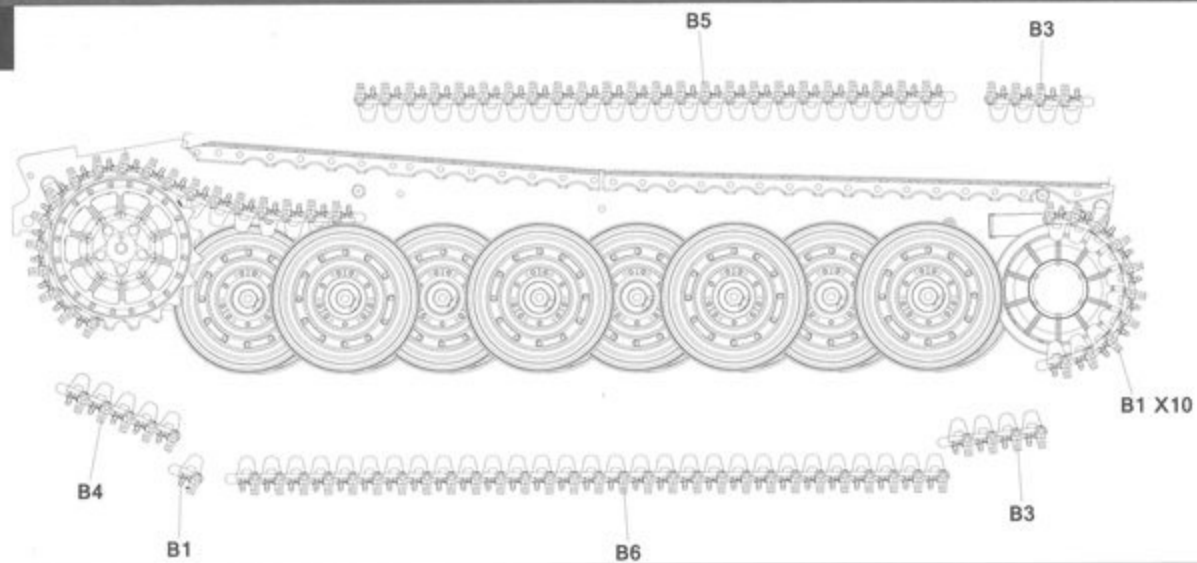


E4

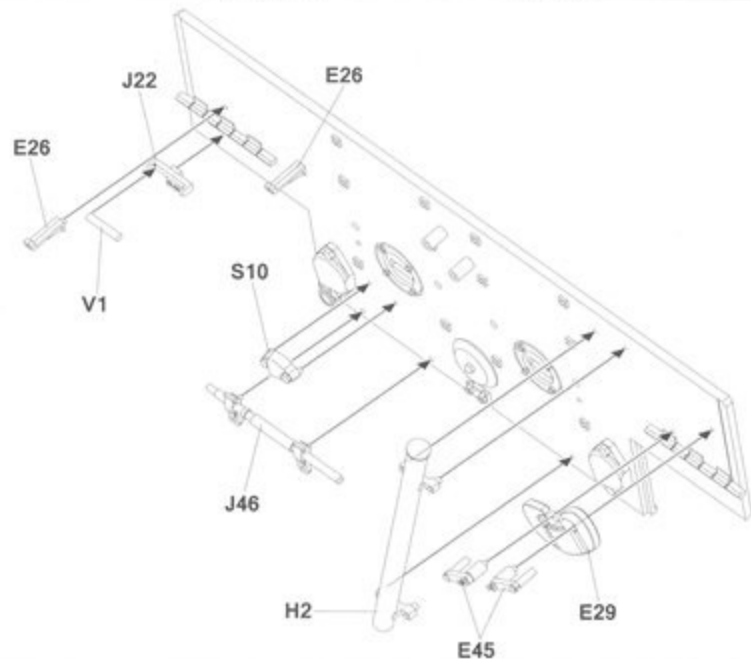
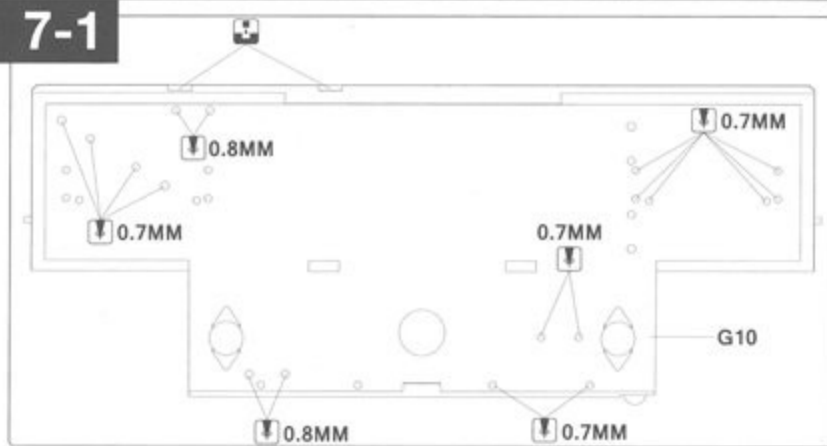
Make 2



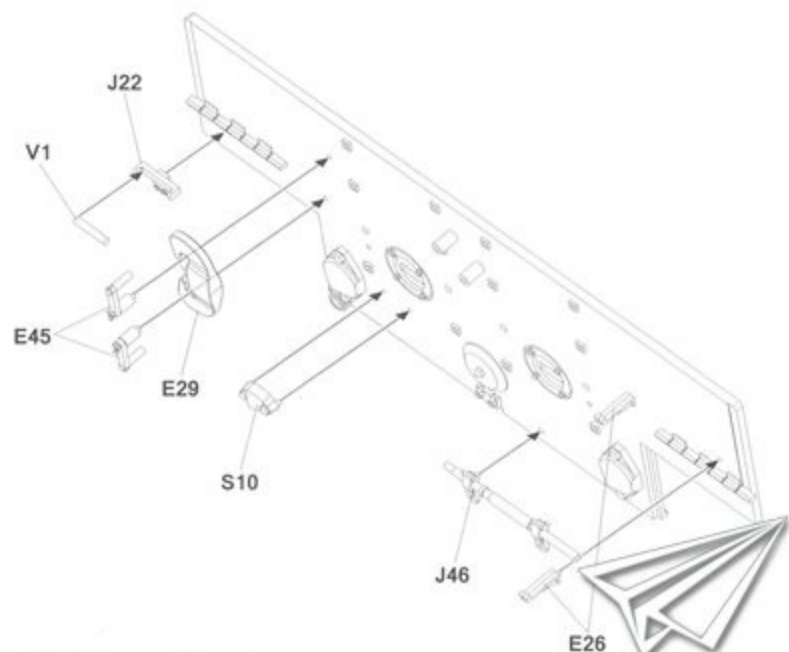
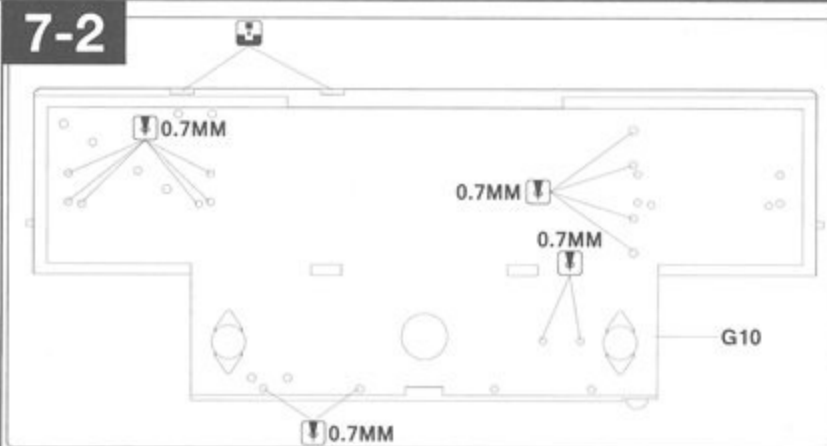
6

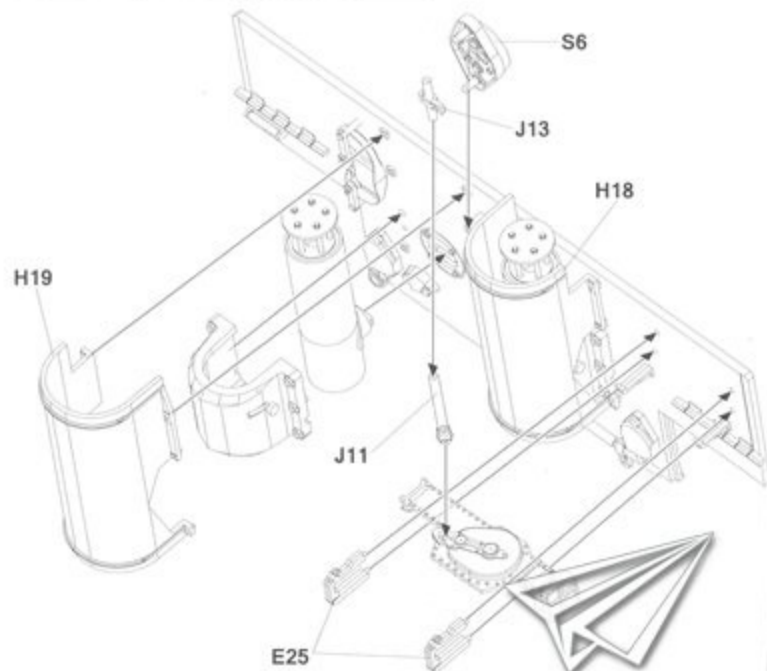
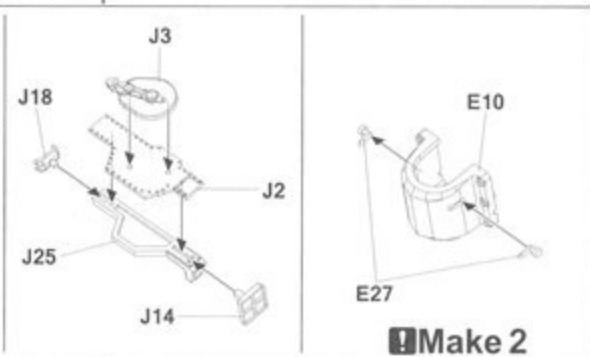
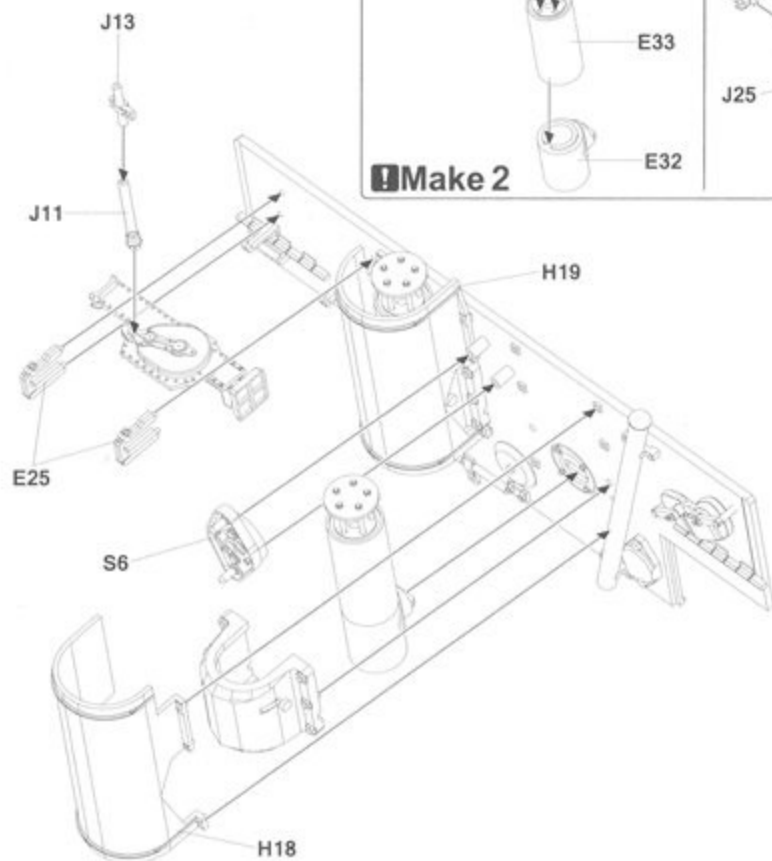


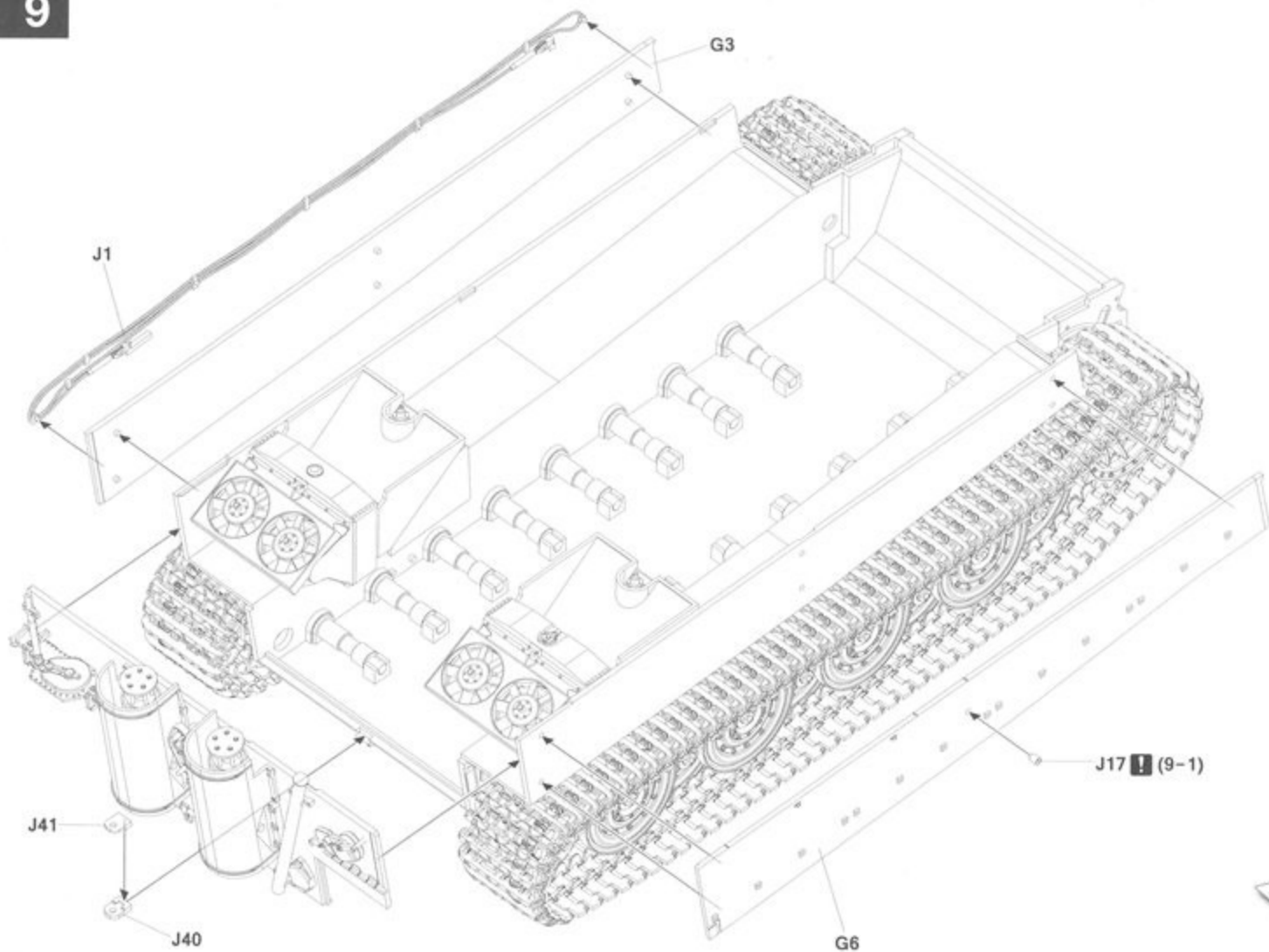
7-1



7-2



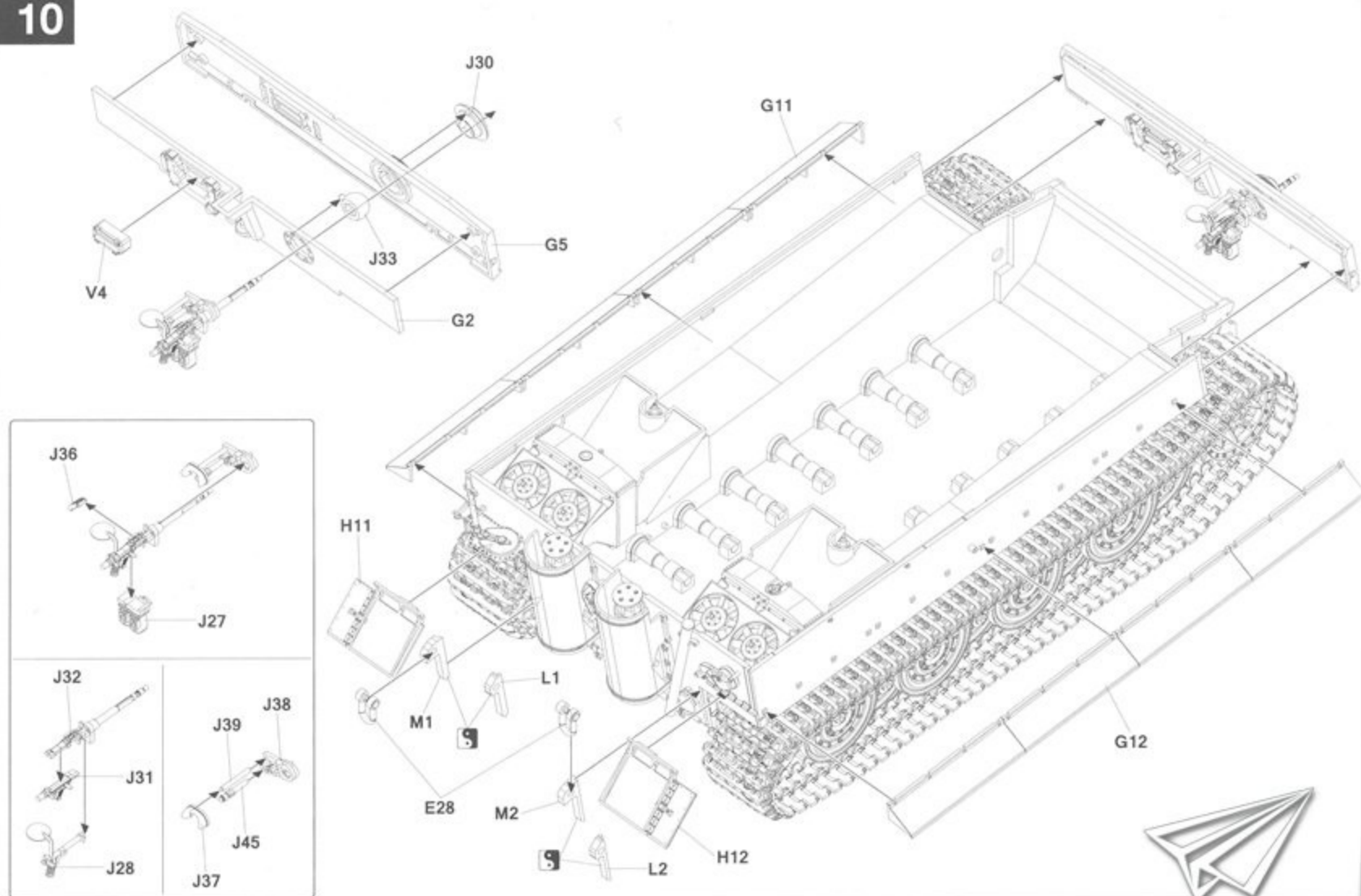




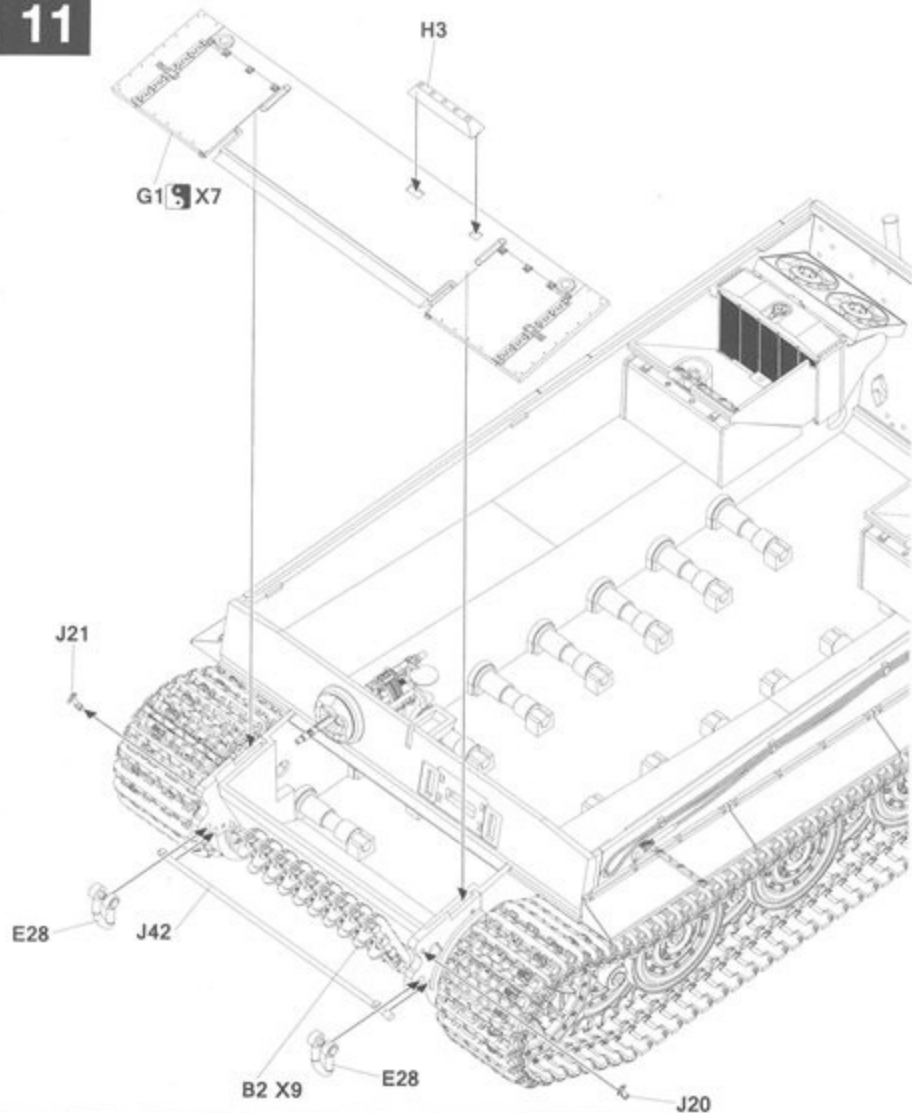
! 1MM

J17 (9-1)

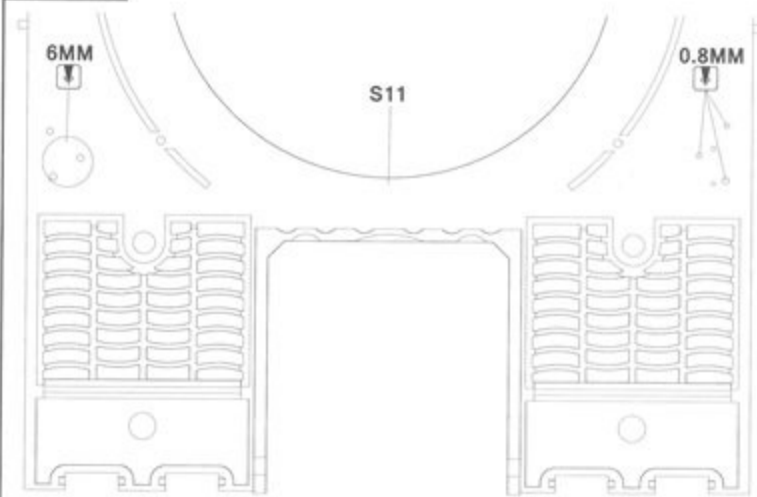
J17



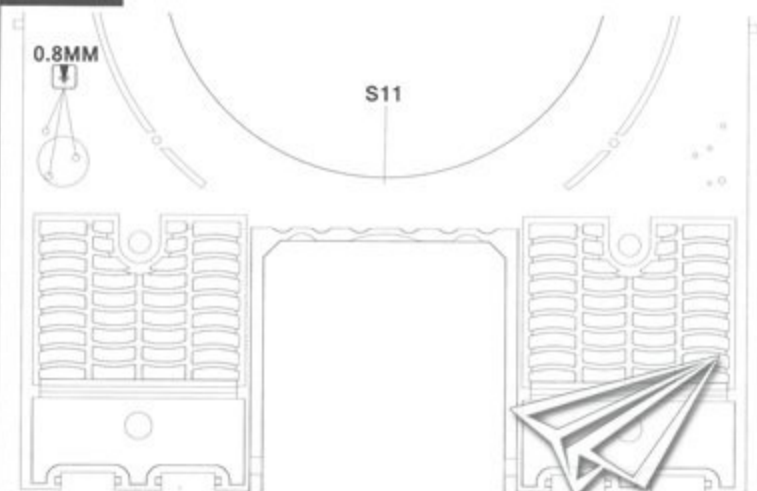
11

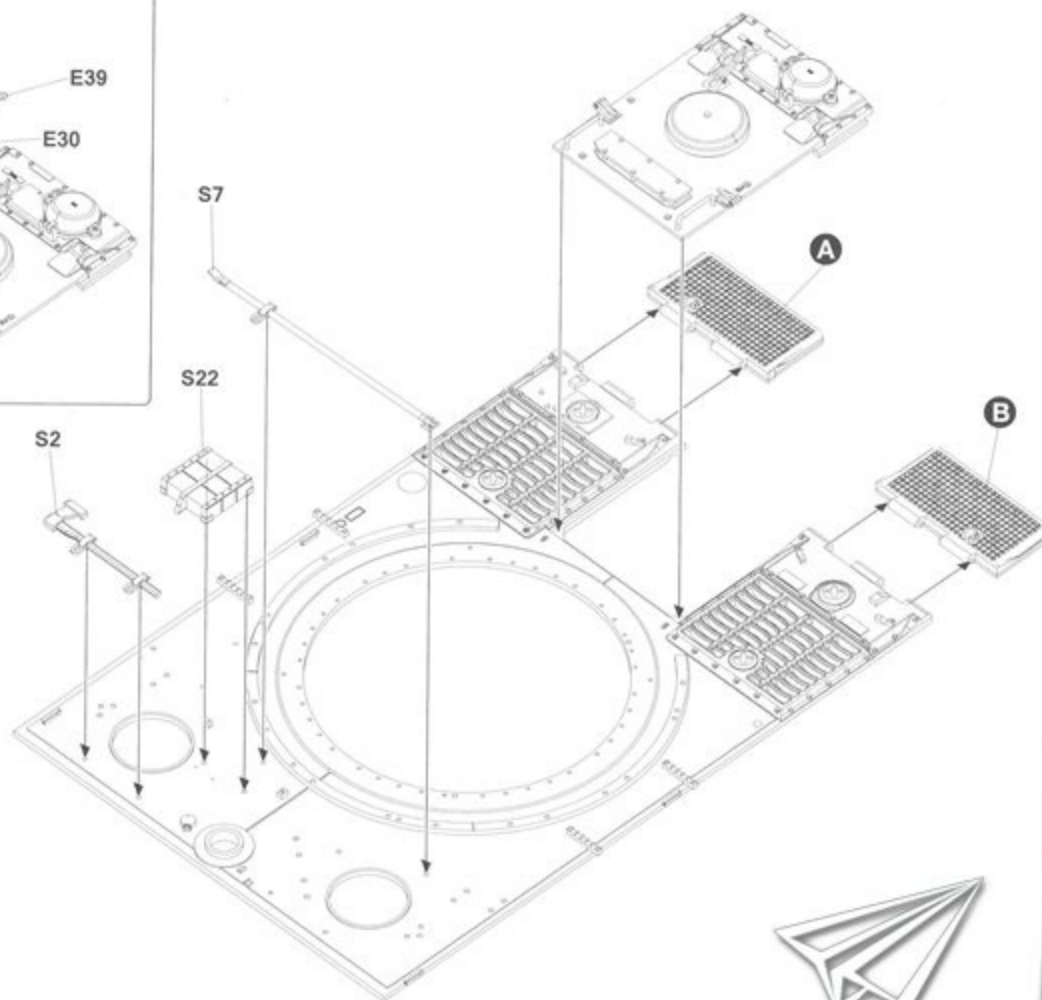
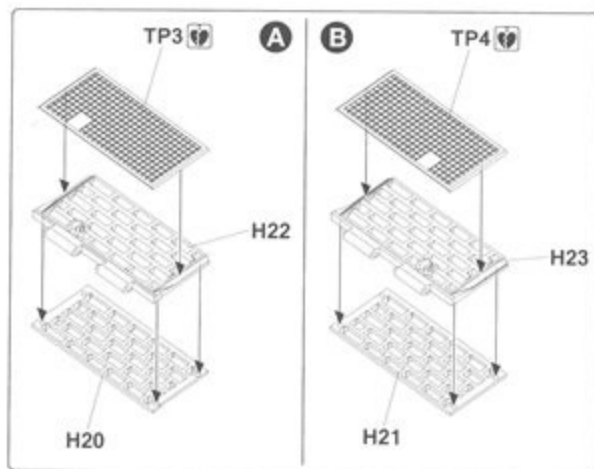
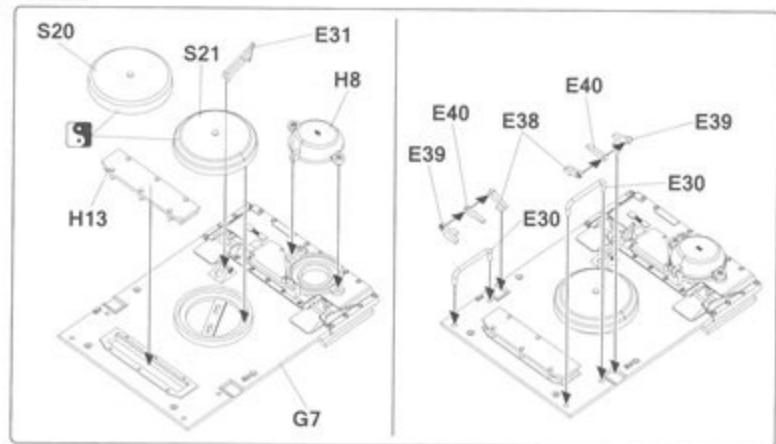


12-1

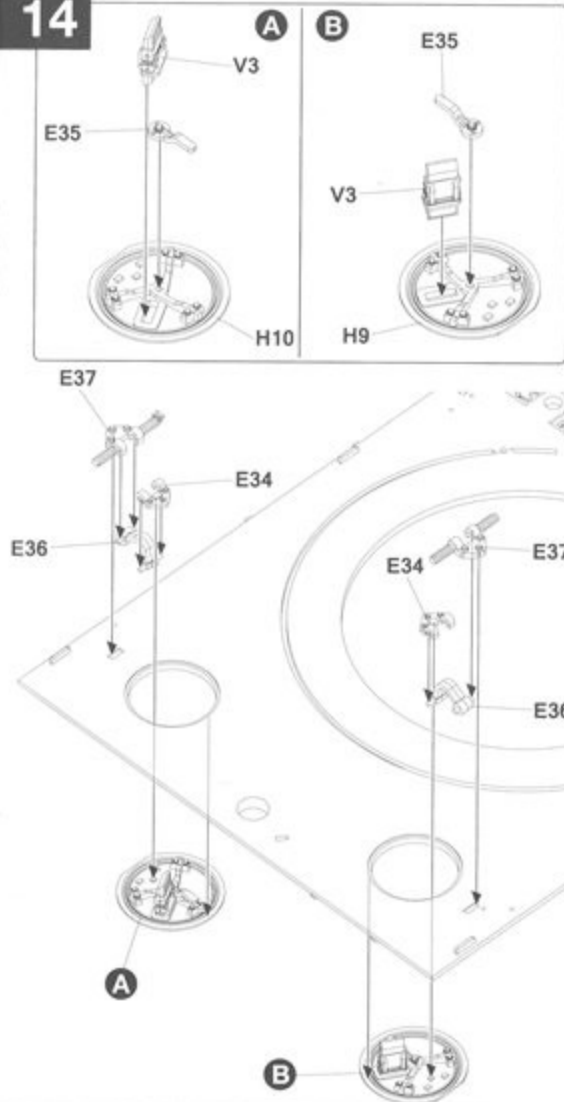


12-2

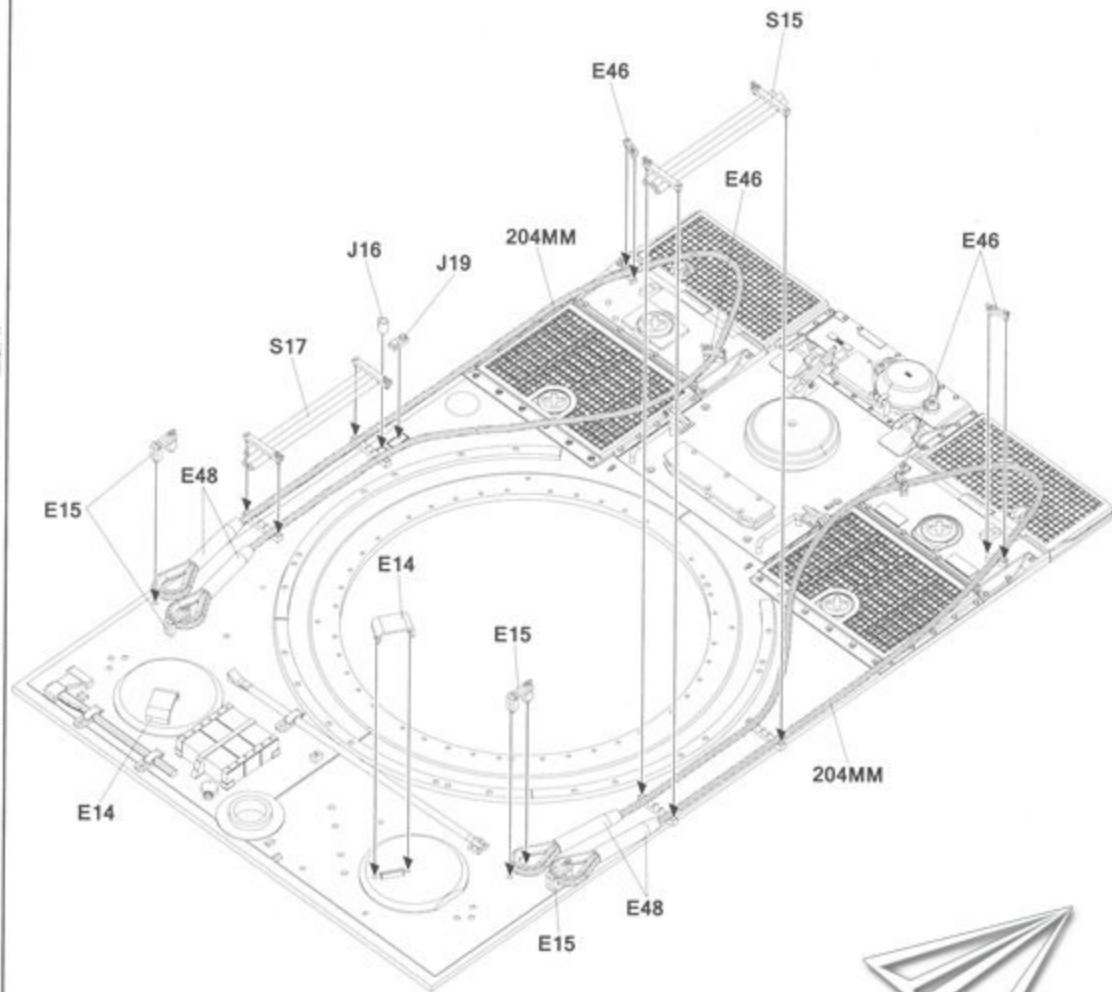




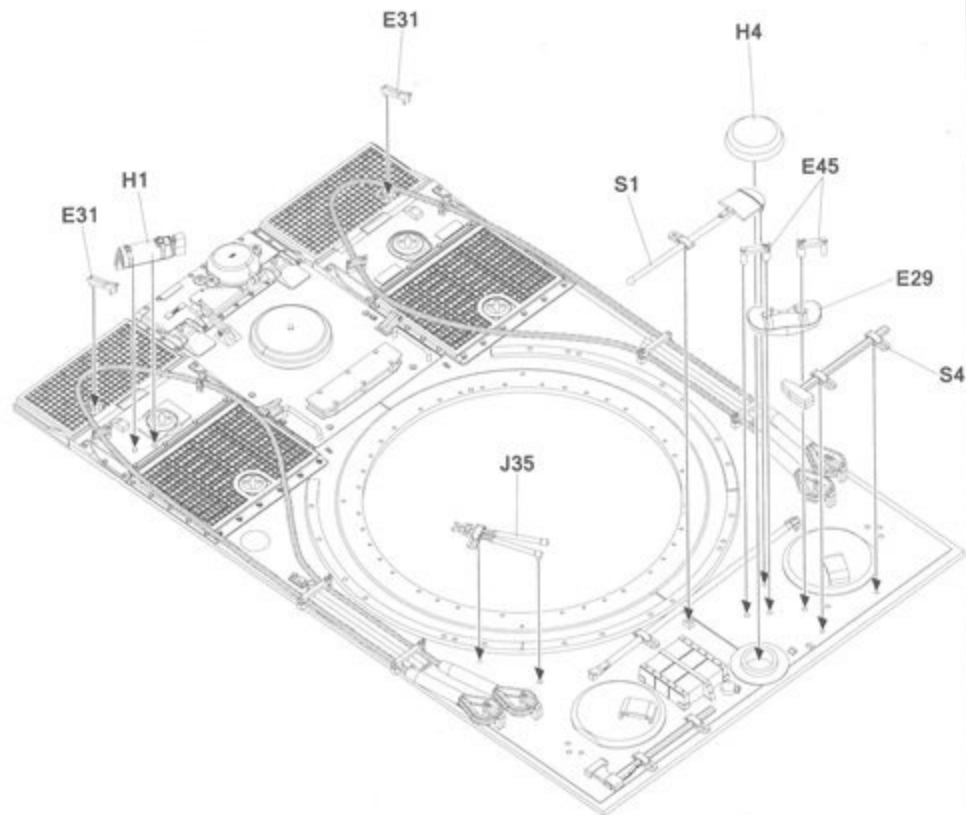
14



15

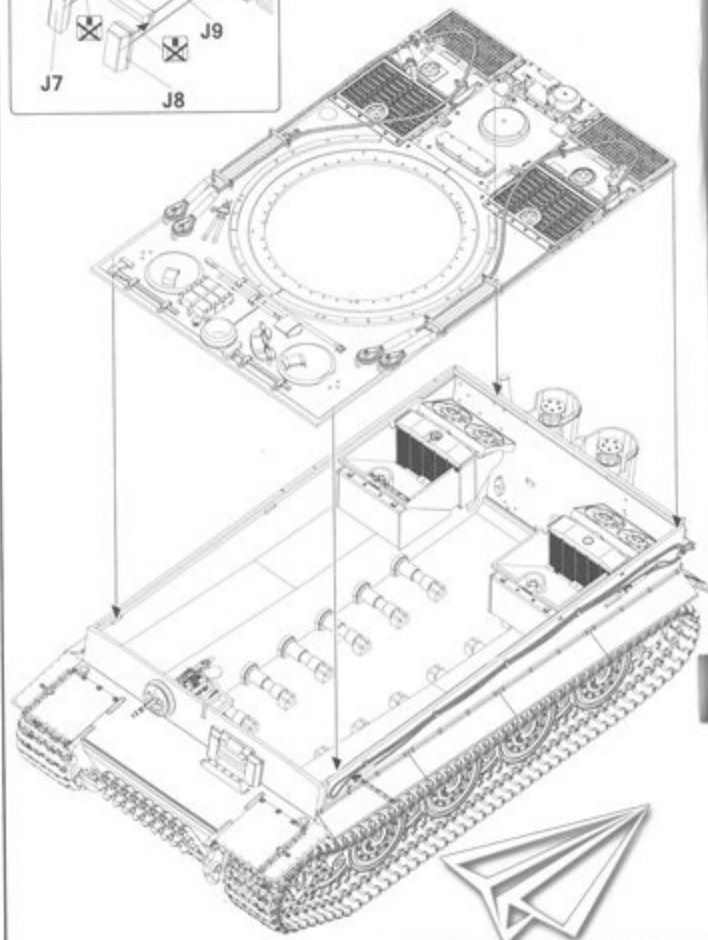
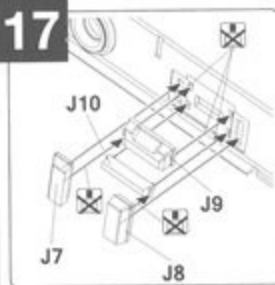


16

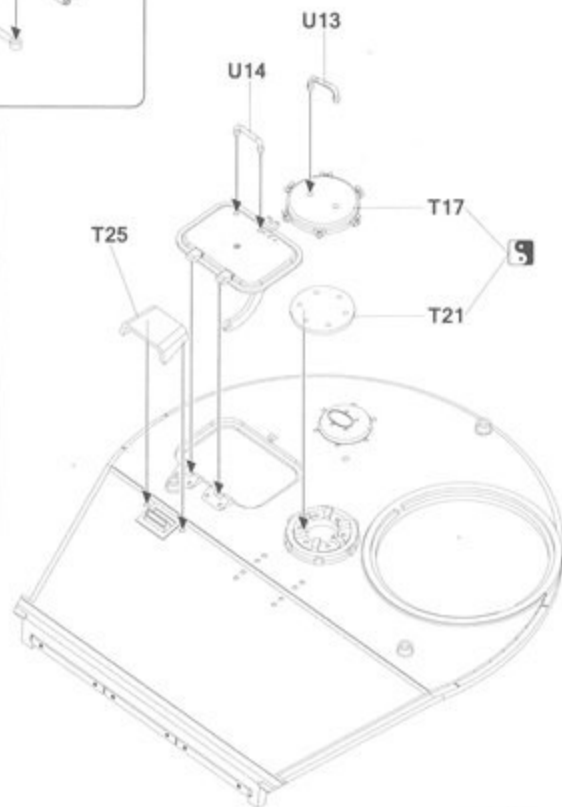
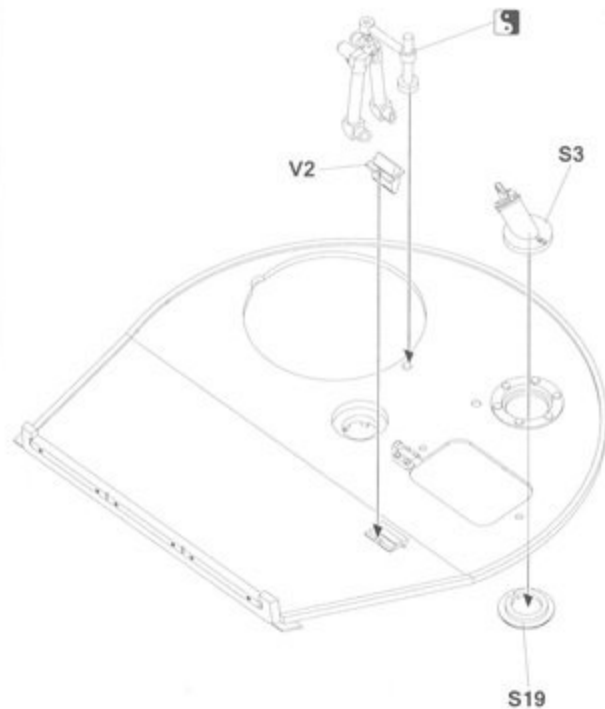
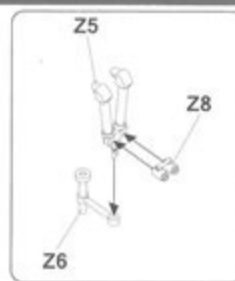
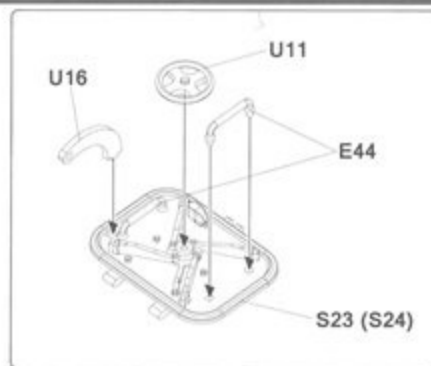
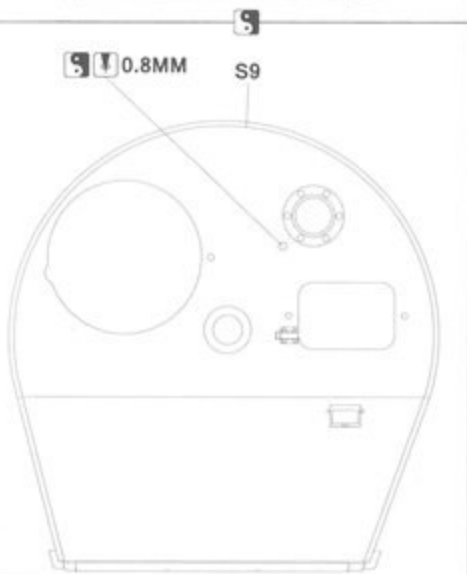
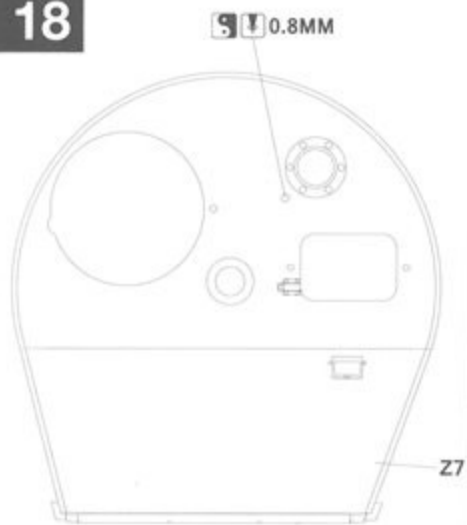


15

17



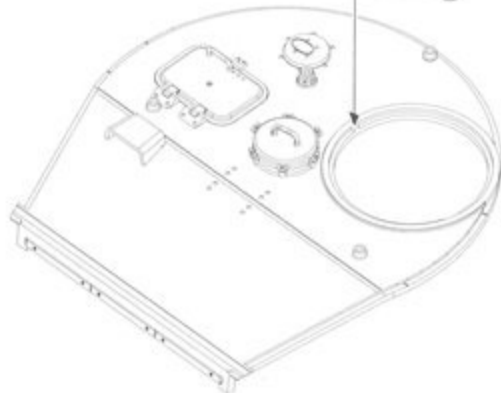
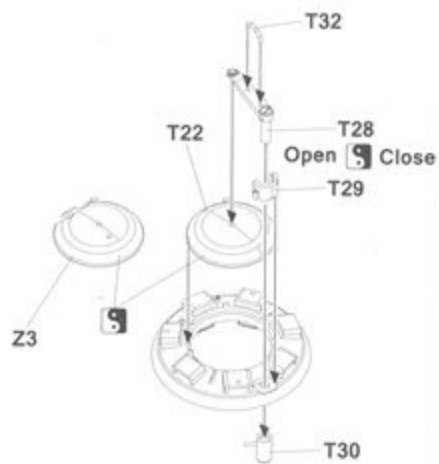
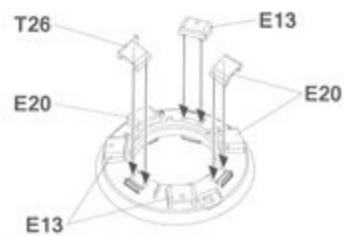
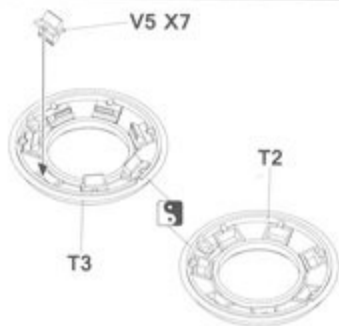
18



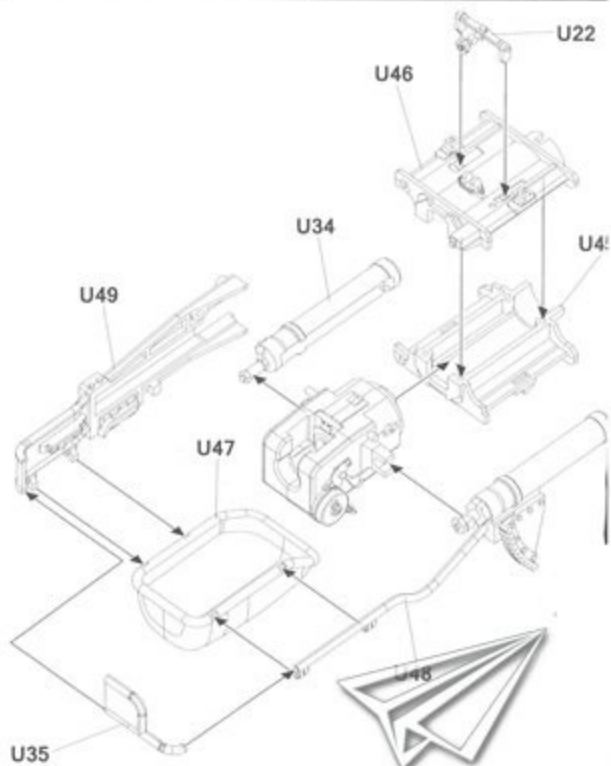
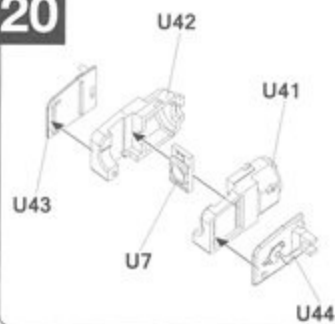
16



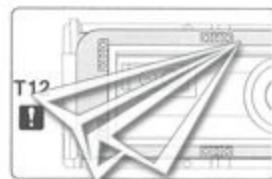
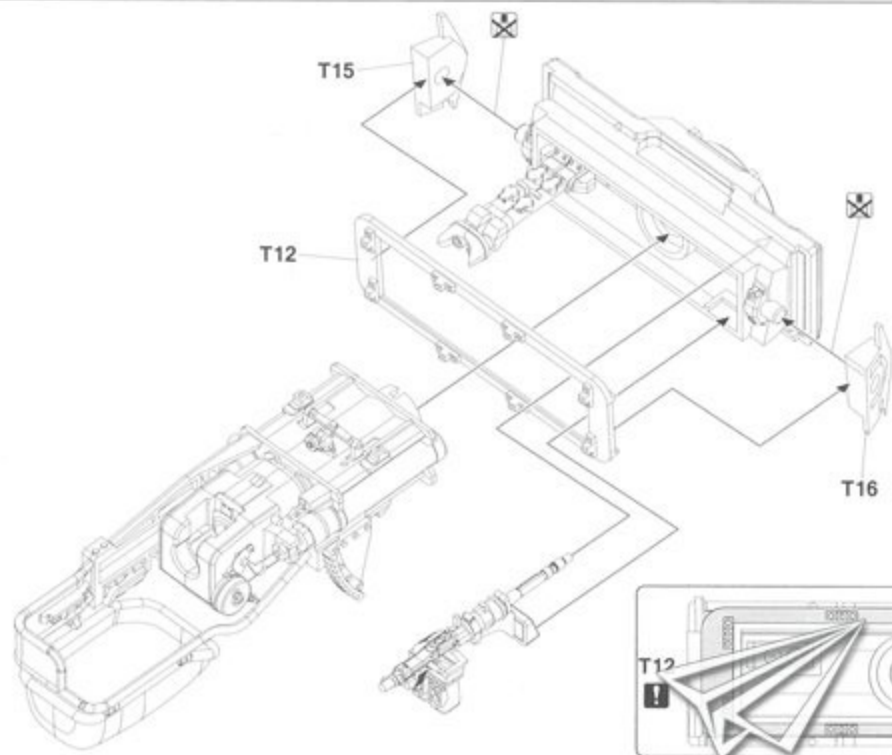
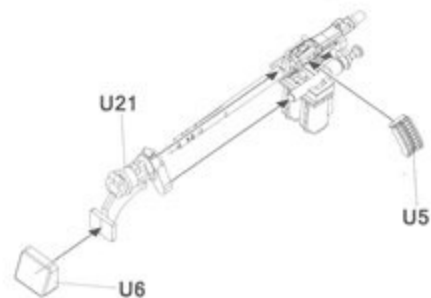
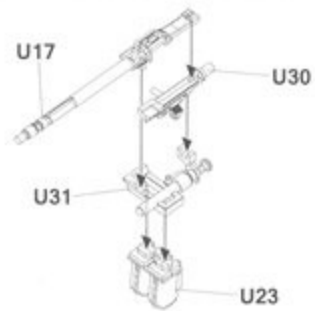
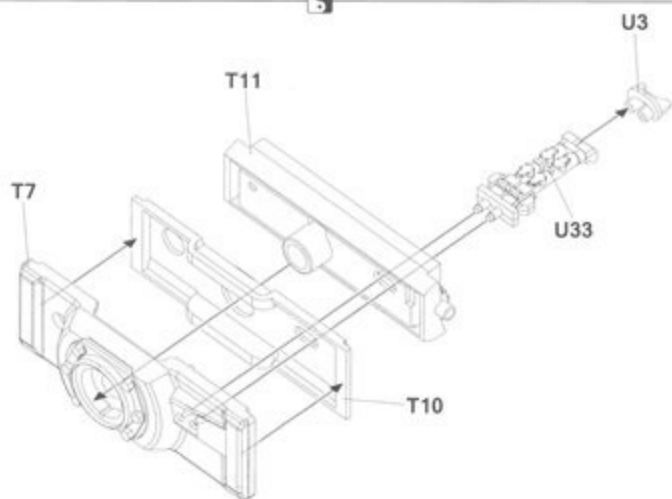
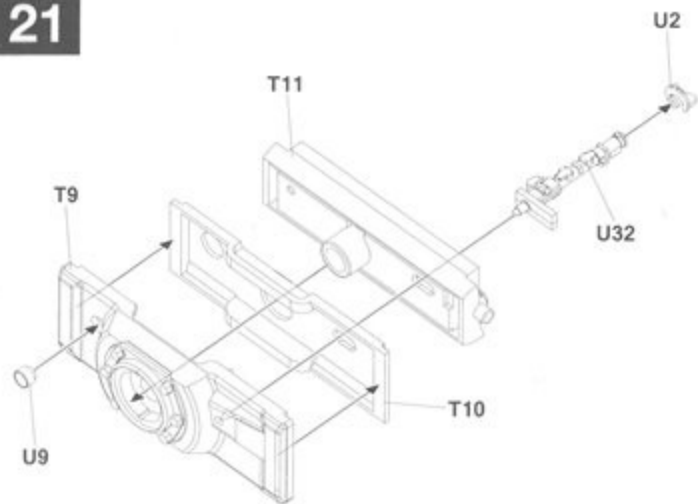
19



20

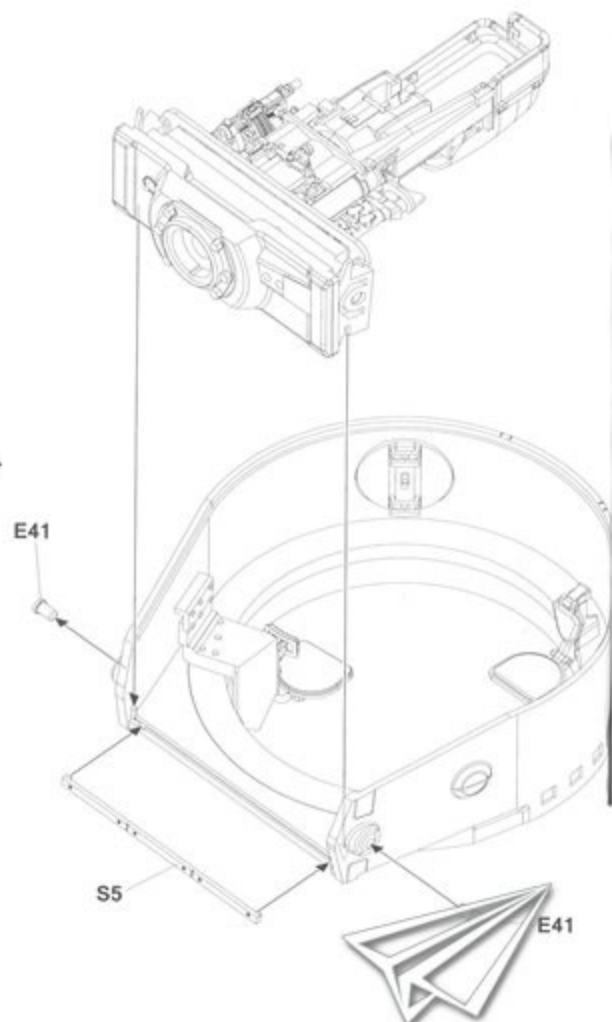
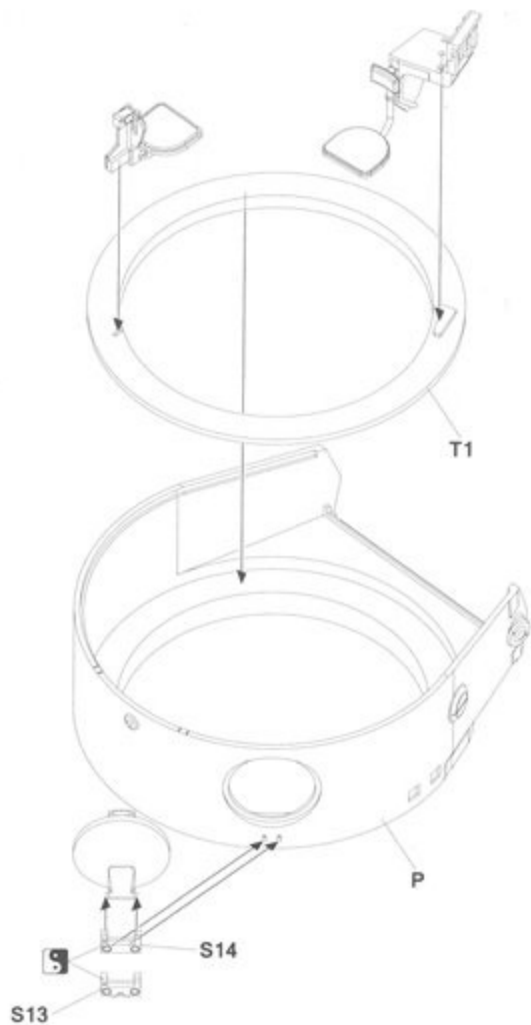
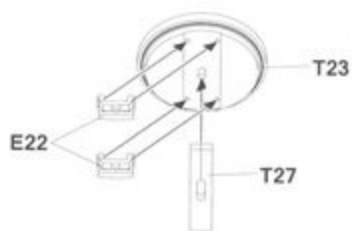
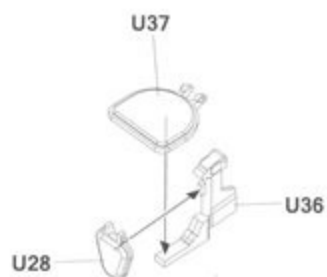
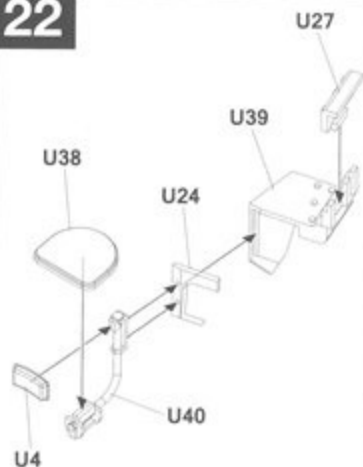


21

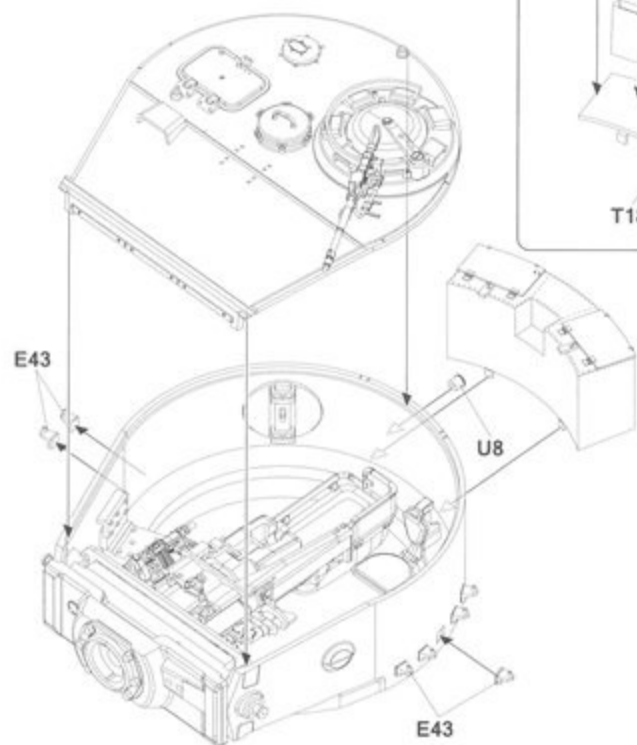


18

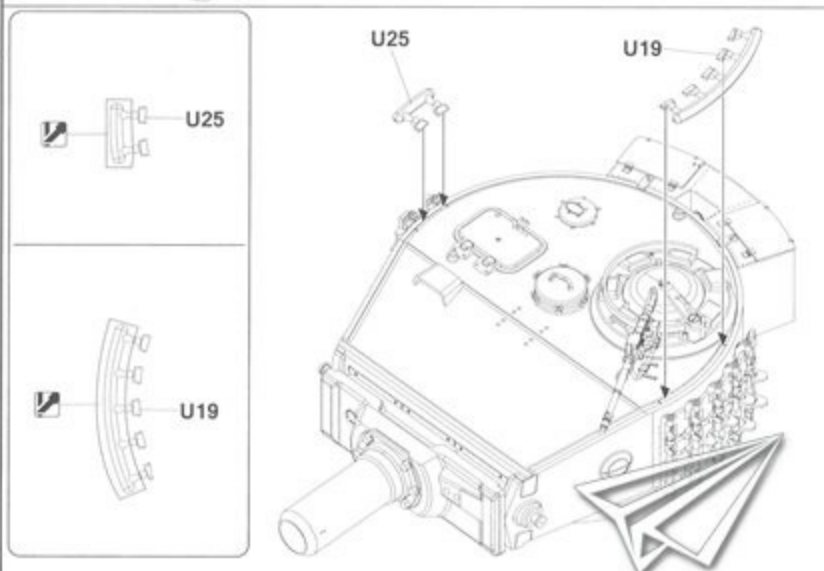
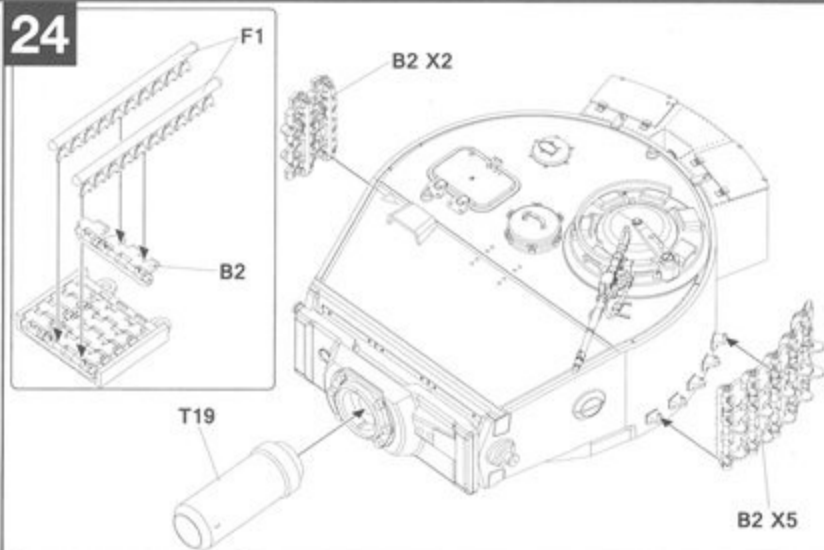
MOXINGFANS.COM



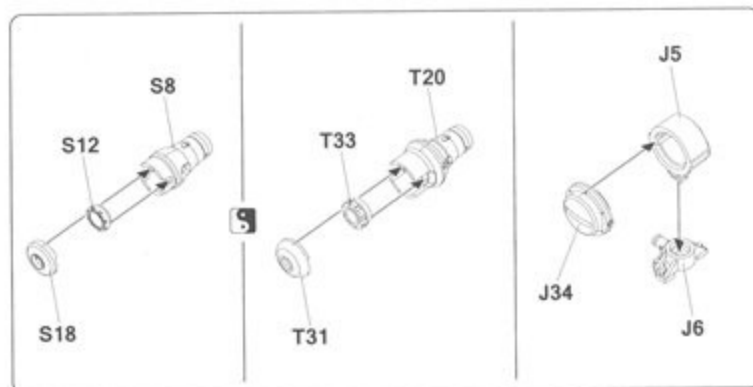
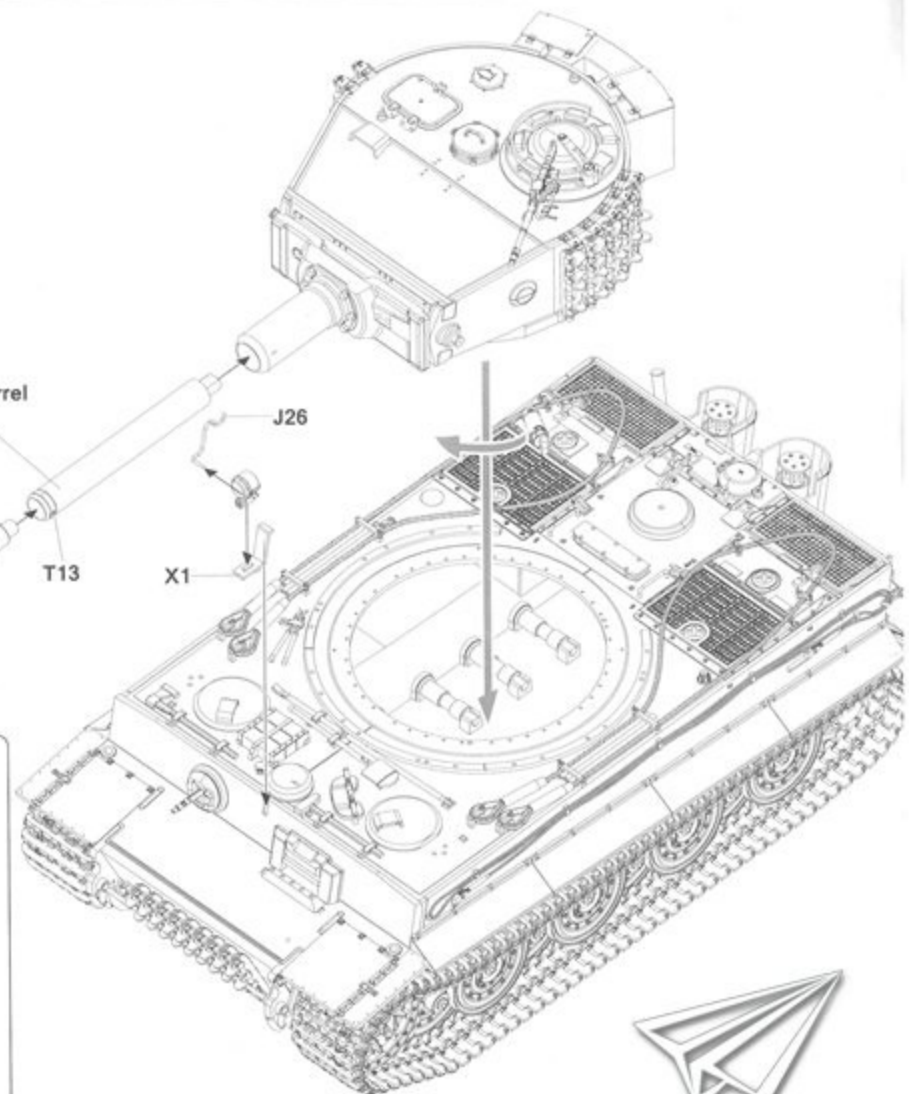
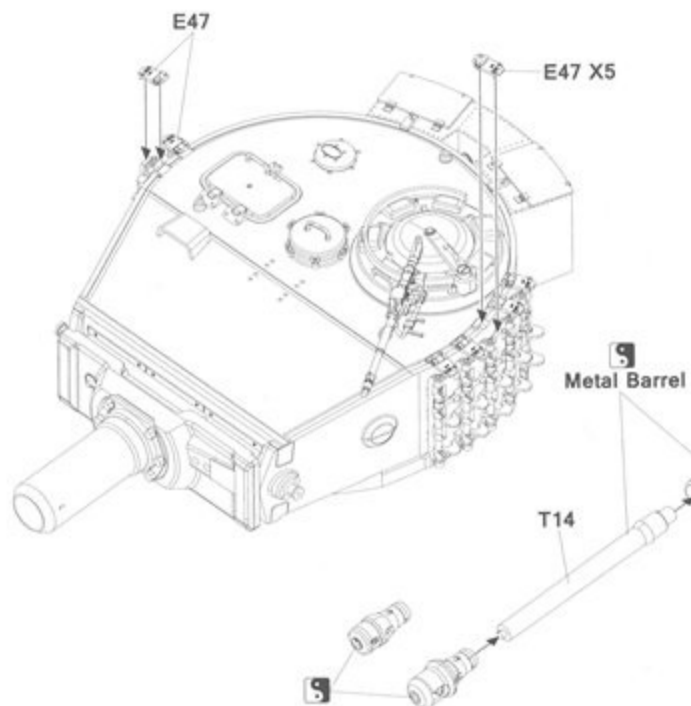
23



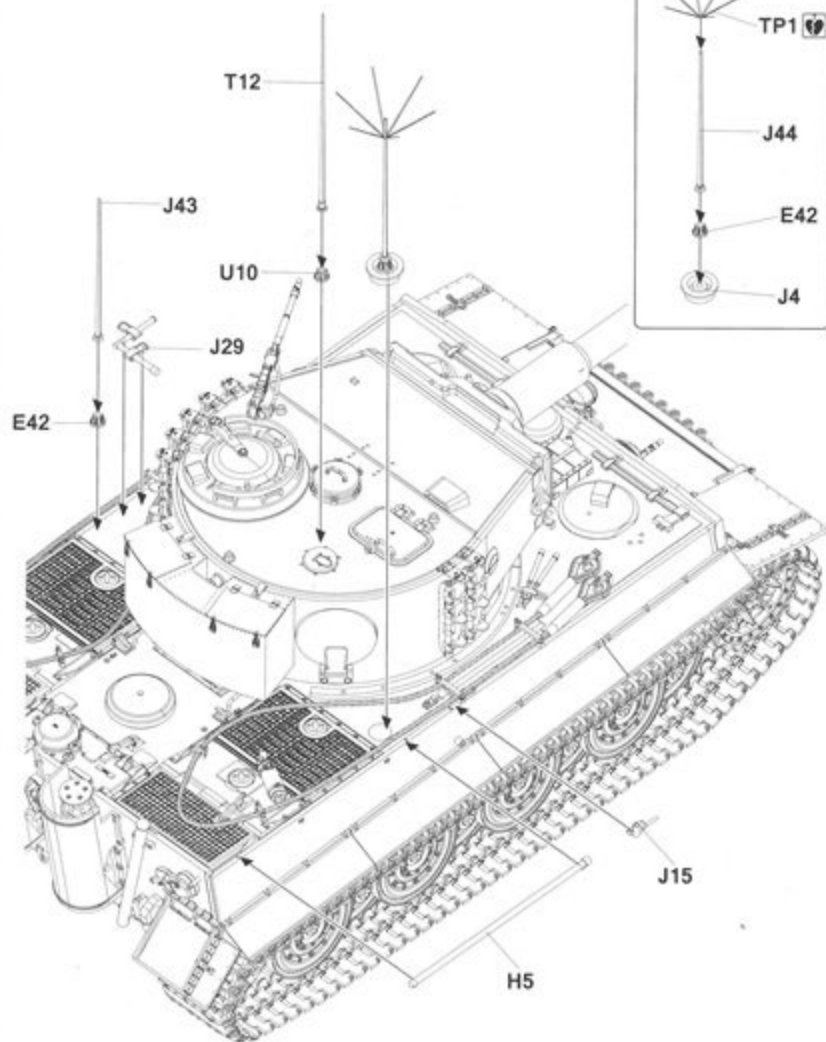
24



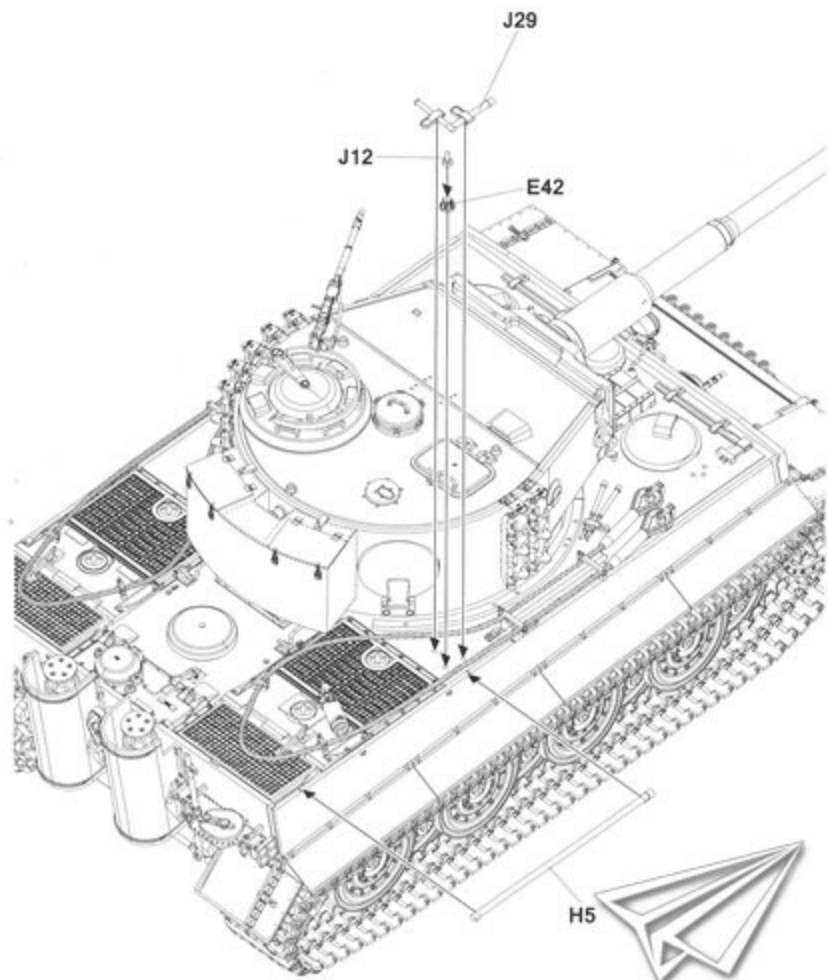
20

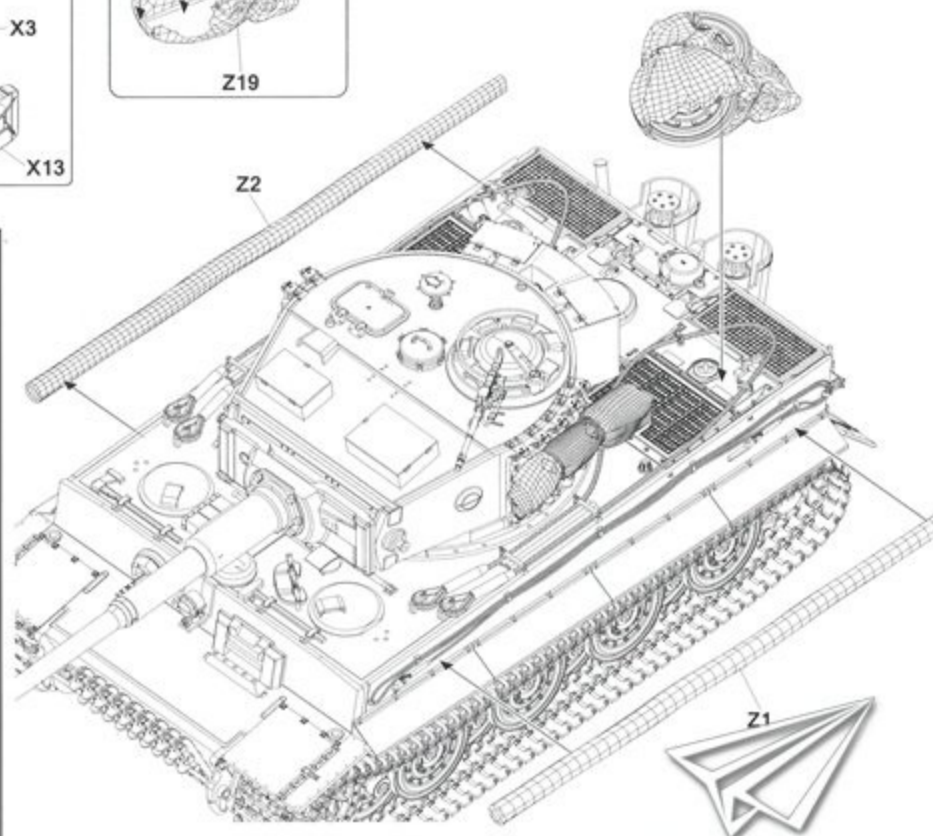
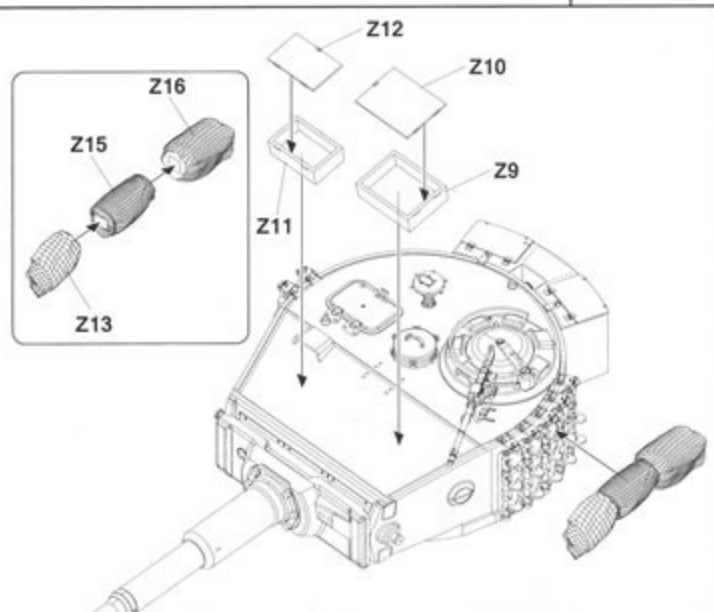
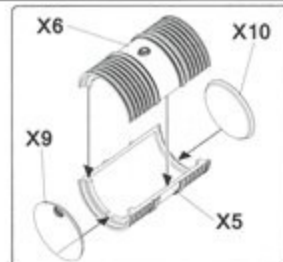
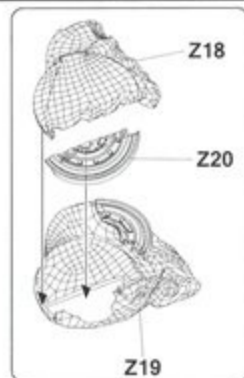
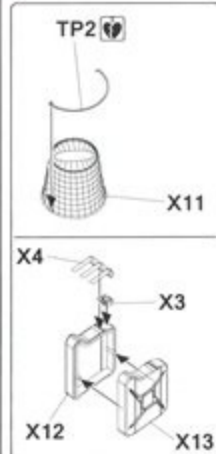
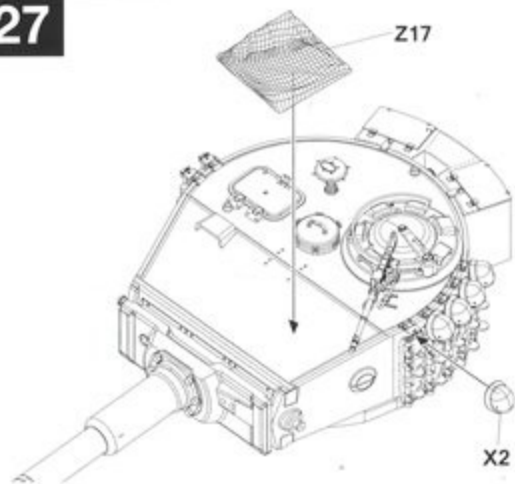


26-1



26-2





TIGER I MID-PRODUCTION w/Zimmerit

Painting and Marking Guide

TAKOM N° 2199

3rd./schwere SS-Panzerabteilung 102, Nürtingen
France, 1944



TIGER I MID-PRODUCTION w/Zimmerit

Painting and Marking Guide

TAKOM N° 2199

3./schwere Panzerabteilung 505, Eastern Front/Kovle
Sector, July 1944

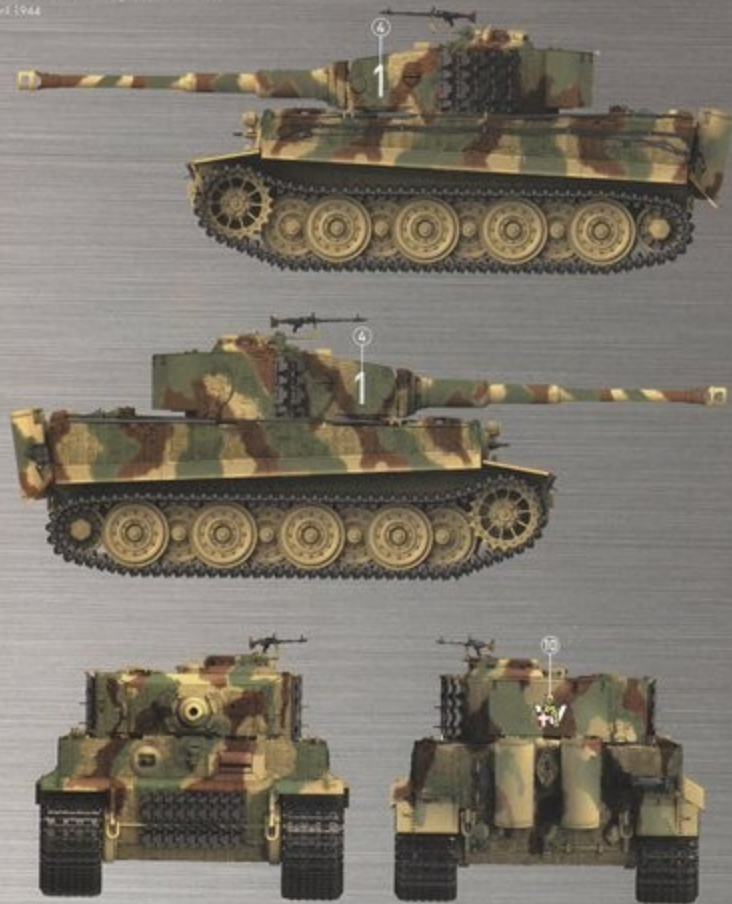


TIGER I MID-PRODUCTION w/Zimmerit

Painting and Marking Guide

TAKOM N°: 2199

1./schwere Panzerabteilung 506, Eastern Front,
April 1944



TIGER I MID-PRODUCTION w/Zimmerit

Painting and Marking Guide

TAKOM N°: 2199

2./schwere Panzerabteilung 503, France,
June 1944

