


*Are you ready for realistic models?*

- 1 Prepare parts: Please sand all blue surfaces and delete all details
- 2 Paint all of the parts and cockpit.
- 3 Apply clear coat all of the surfaces that will applied 3D-Decals.
- 4 Cut the sticker with a scissor and separate the 3D-Decal part in warm water.
- 5 Remove any water with an earstick or a tissue.
- 6 You can apply CA glue to invisible spots if needed.

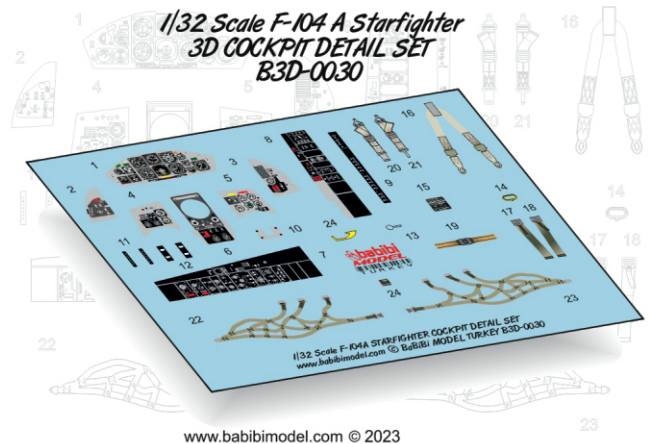
[www.babibimodel.com](http://www.babibimodel.com)

 Babibi TV

 groups/babibimodel

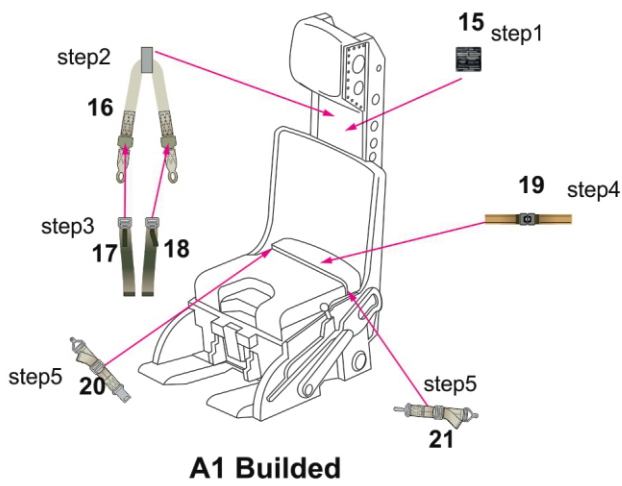
 Babibimodel

*Thank you for purchasing Babibi Model products.*



www.babibimodel.com © 2023

**For Italeri  
1/32 Kits**



**A1 Buildd**

