

1:35 SCALE

Russian Heavy Tank IS-3M

(前苏联) IS-3M重战车

颜色指示
COLOR

银色 Silver

消光白 Flat white

黑铁色 Steel

沙黄色 Sand yellow

消光黑 Flat black

苏式绿 Russian green

烧铁色 Burnt iron

cyanoacrylate glue
使用强力胶weight
配重make hole
钻孔cut / remove
切除bend
弯曲file / sand
锉平option
选择no cement
不涂胶水decal
贴纸

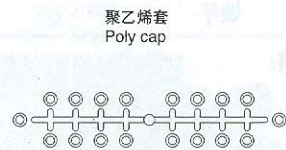
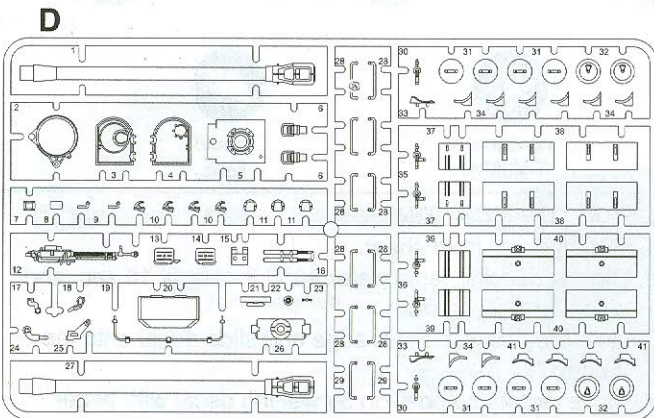
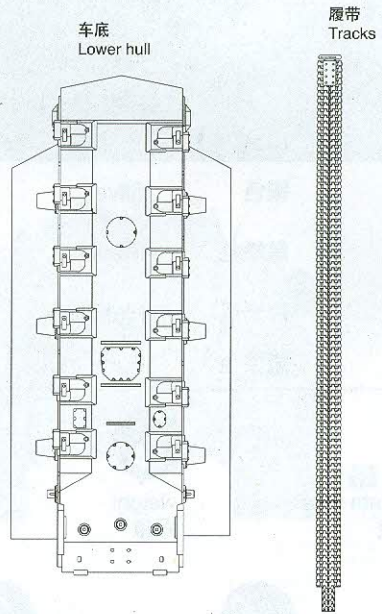
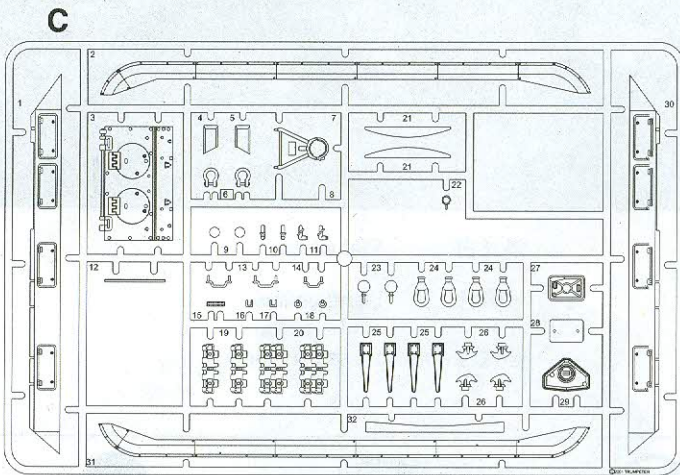
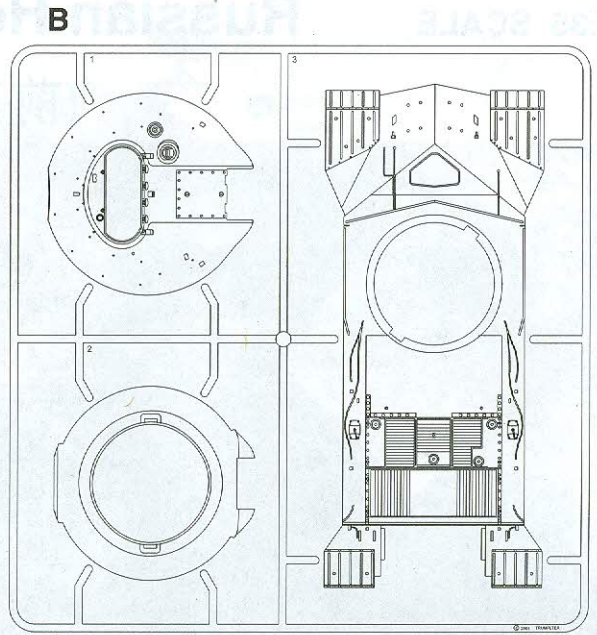
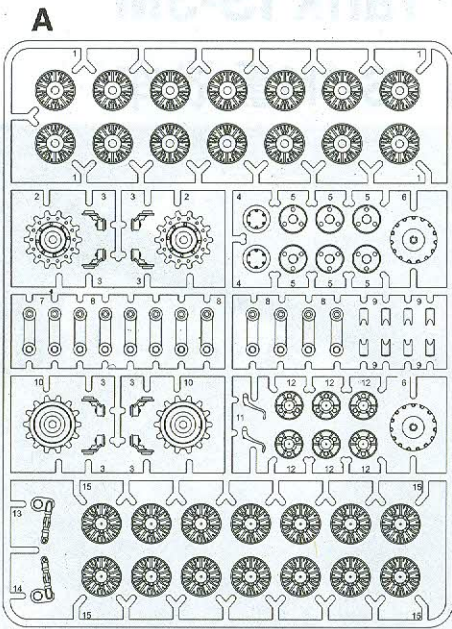
水贴纸的使用:

1. 从水贴上剪下印花;
2. 将印花放入温水中浸10秒, 然后放在干净布上。
3. 拿着印花纸板将印花移到模型上;
4. 手指蘸水将印花移到适当的位置;
5. 用软布轻压印花直至水干, 汽泡消失。

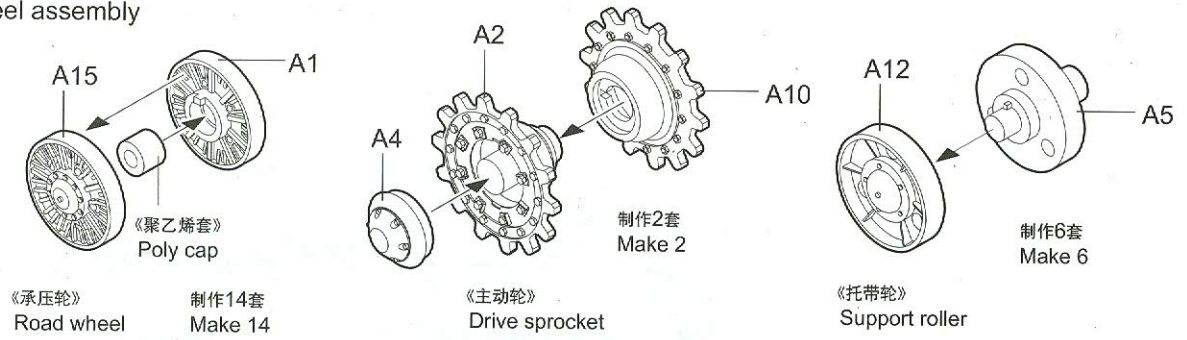
DECAL APPLICATION

1. Cut off decal from sheet.
2. Dip the decal in tepid water 40°C for about 10 sec. and place on a clean cloth.
3. Hold the backing sheet edge and slide decal onto the model.
4. Move decal into position by wetting decal with finger.
5. Press decal gently down with a soft cloth until excess water and air bubbles are gone.

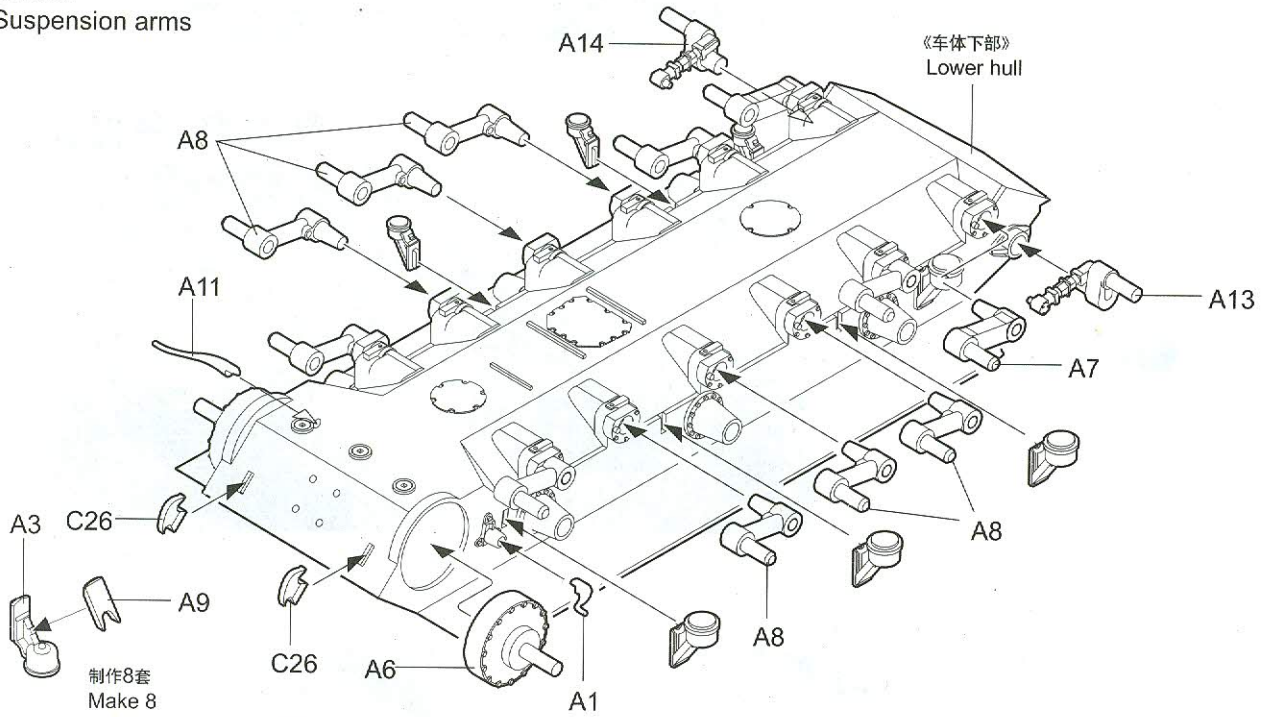
部品图 Parts



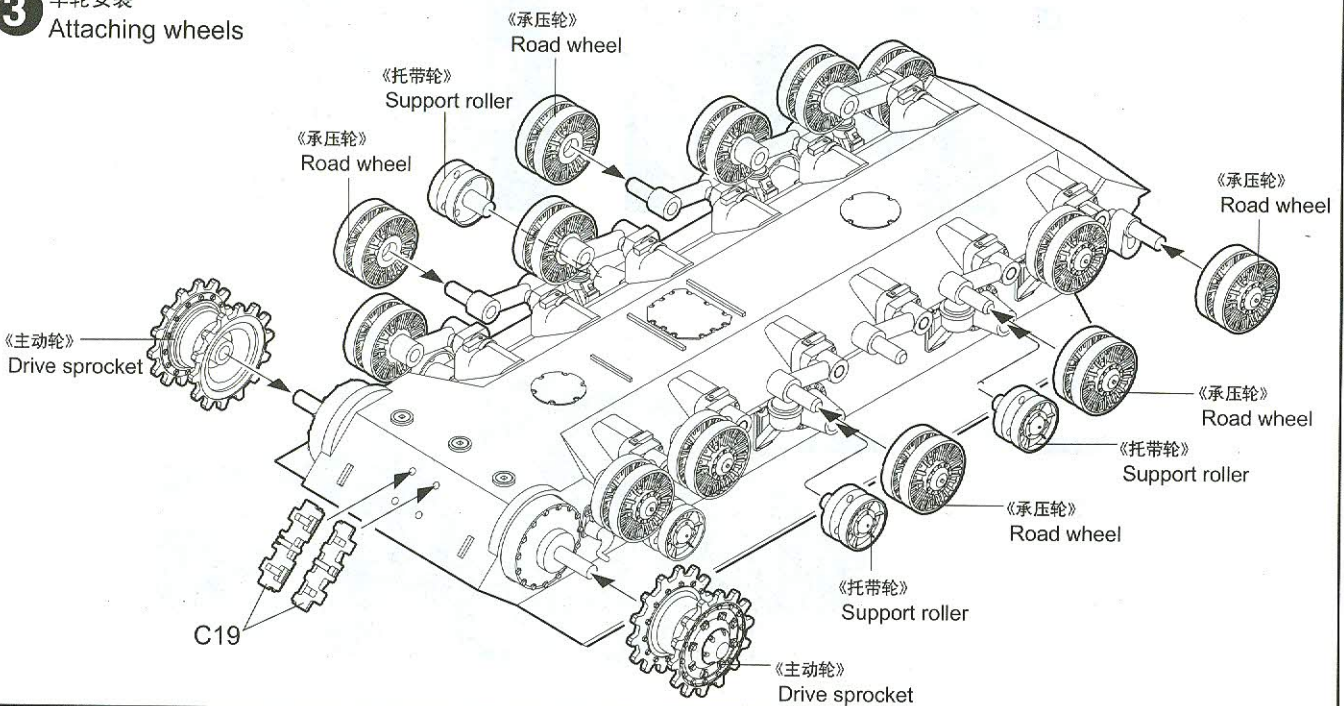
1 车轮组装
Wheel assembly



2 悬臂安装
Suspension arms

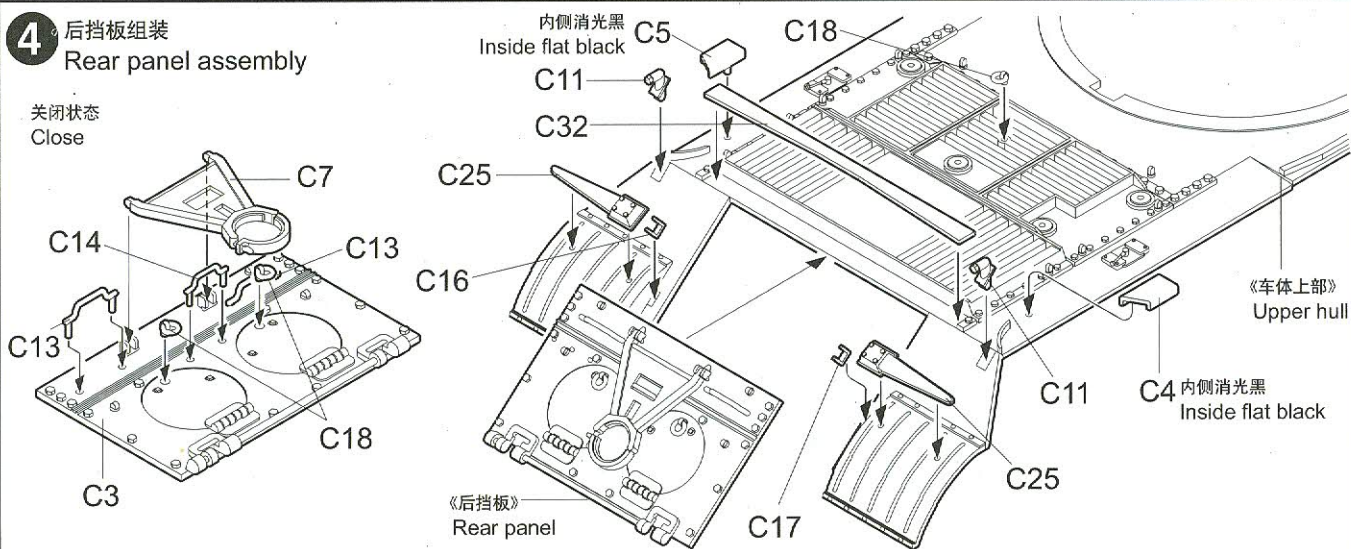


3 车轮安装
Attaching wheels

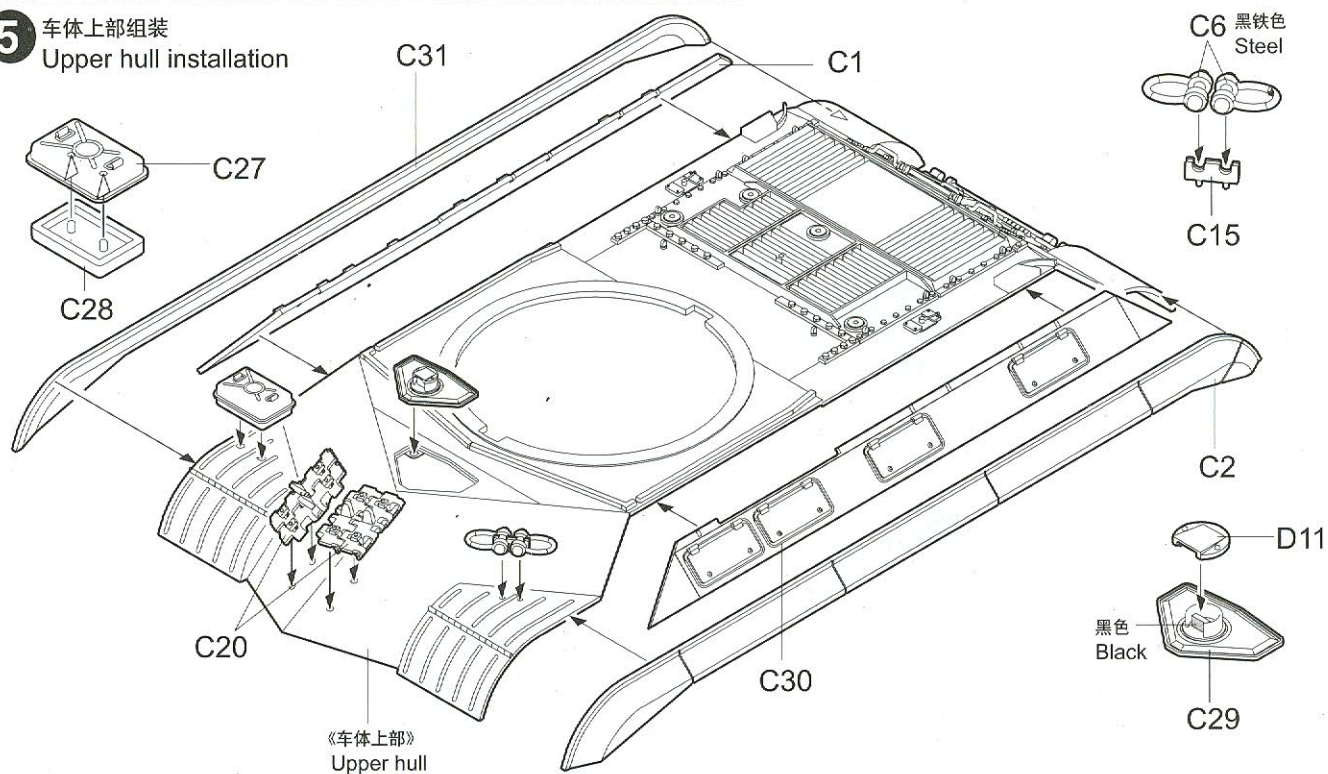


4 后挡板组装
Rear panel assembly

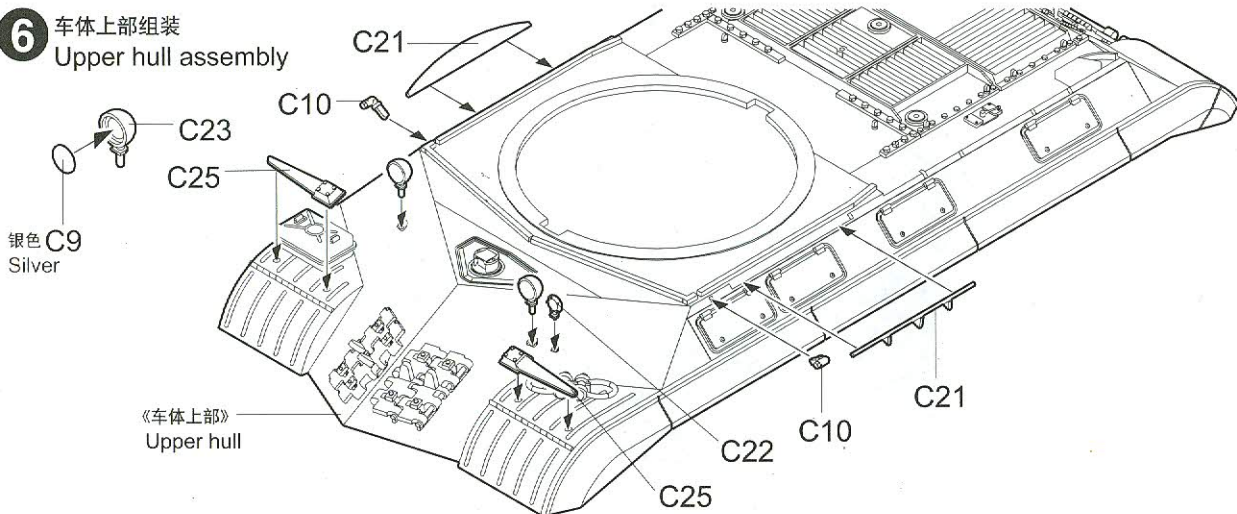
关闭状态
Close



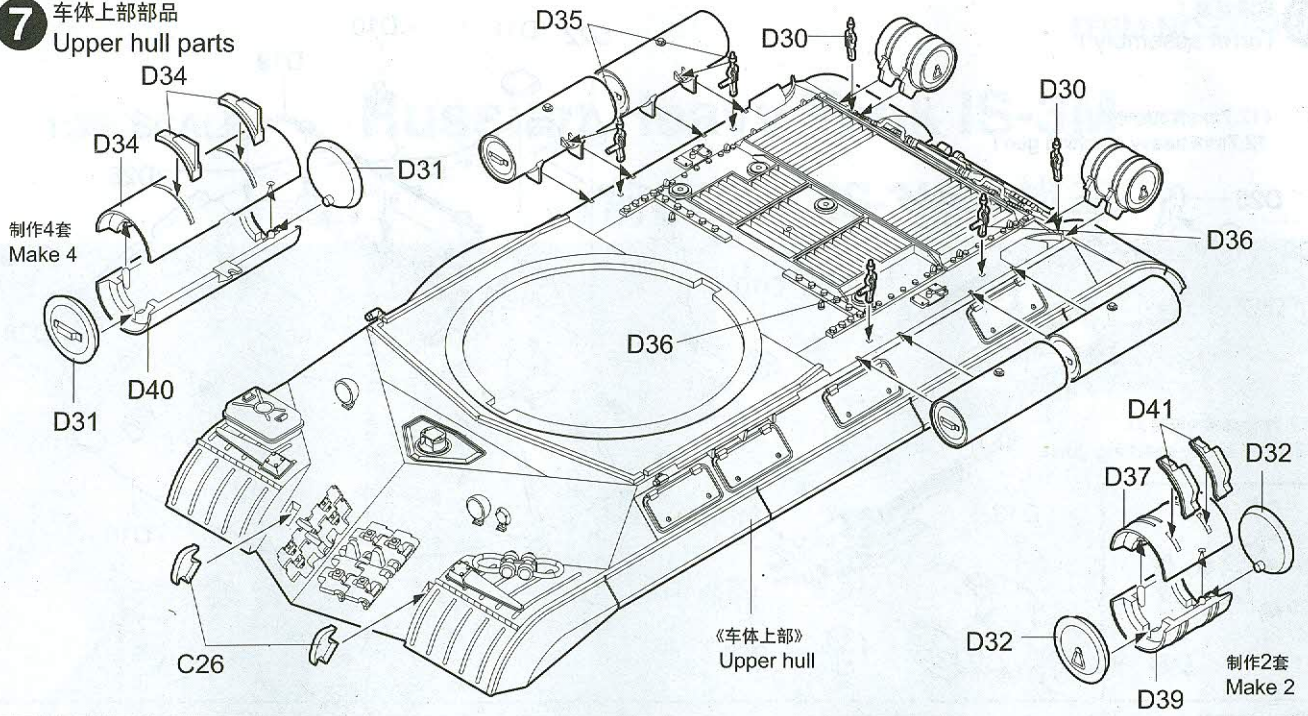
5 车体上部组装
Upper hull installation



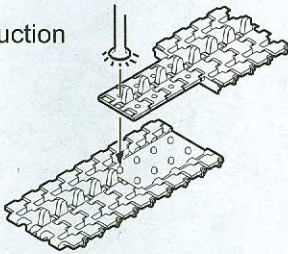
6 车体上部组装
Upper hull assembly



7 车体上部部品
Upper hull parts



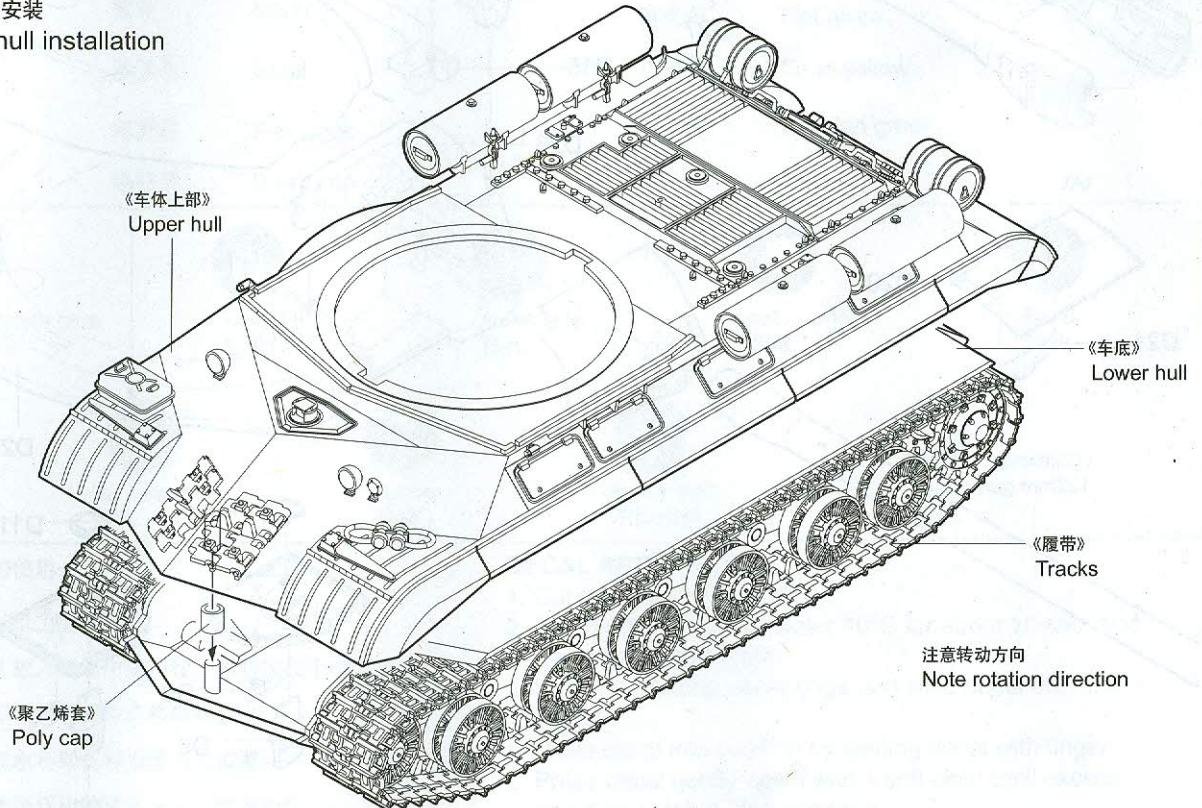
8 履带连接
Track construction



- ★根据实际要求选择履带尺寸。
- ★用热铁钉软化接头，用手指压下接头。
- ★若履带断裂，用细丝线固定。

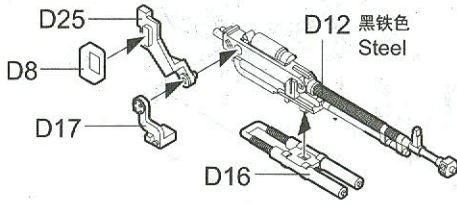
- ★Melt pin heads carefully with a heated nail etc.
- ★Immediately press pin heads with your finger.
- ★If track is broken strengthen with staples or thread.

9 车体上部安装
Upper hull installation

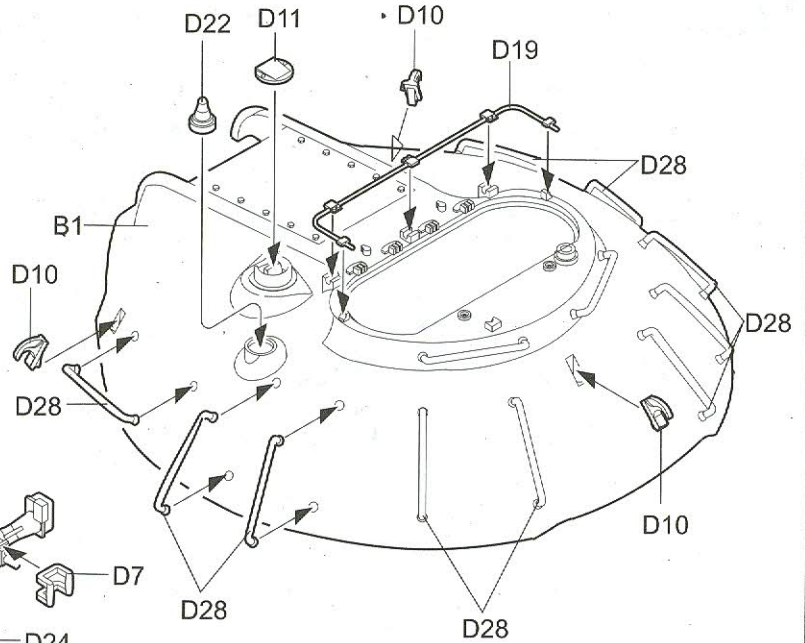
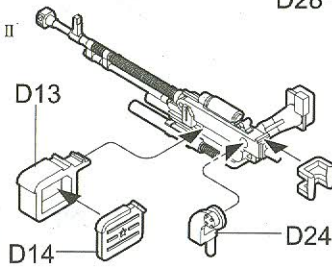
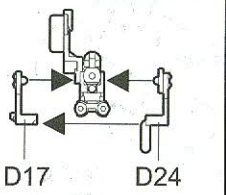


10 炮塔组装 I
Turret assembly I

《12.7mm重机枪组装 I》
12.7mm heavy machine gun I

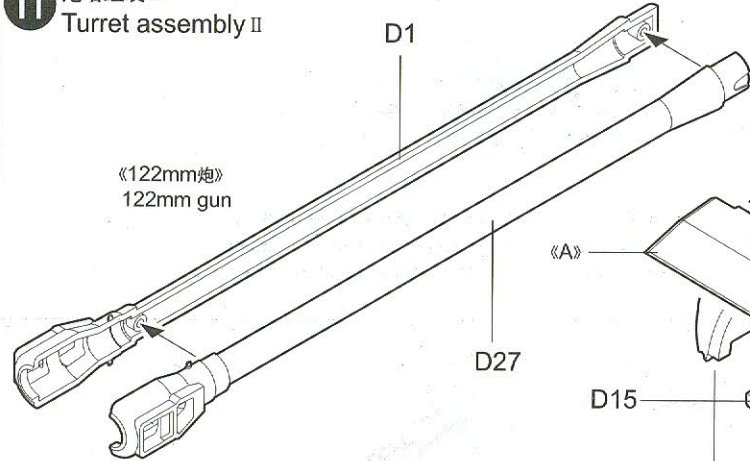


《12.7mm重机枪组装 II》
12.7mm heavy machine gun II

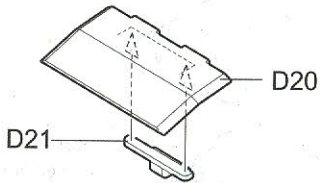


11 炮塔组装 II
Turret assembly II

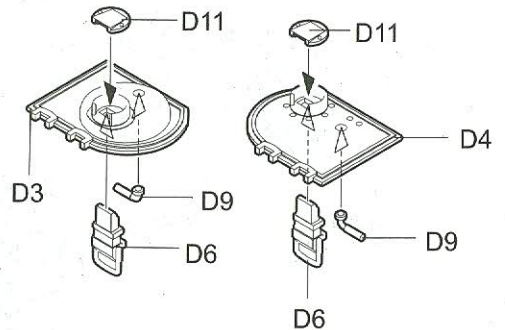
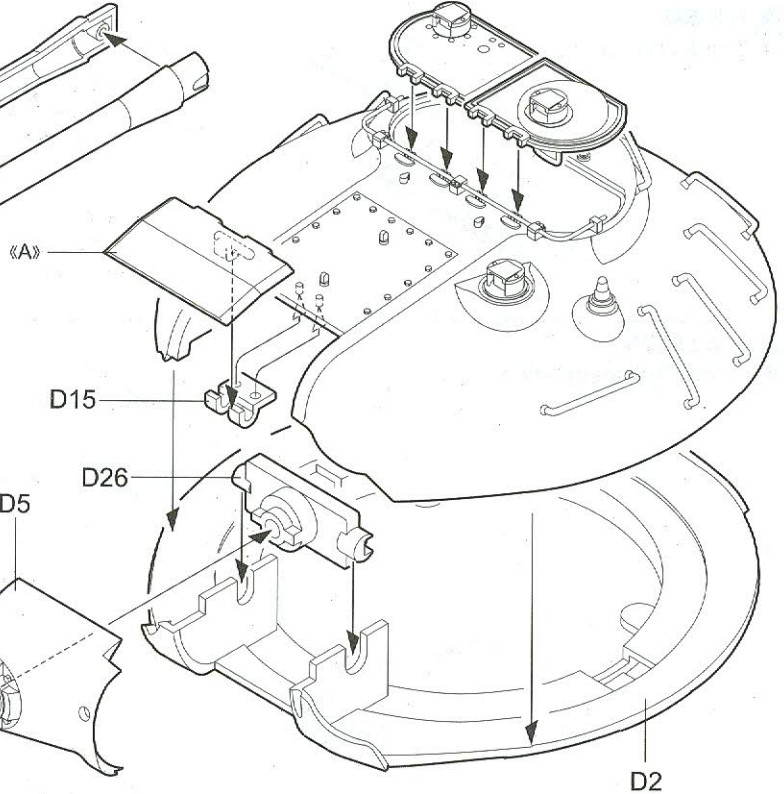
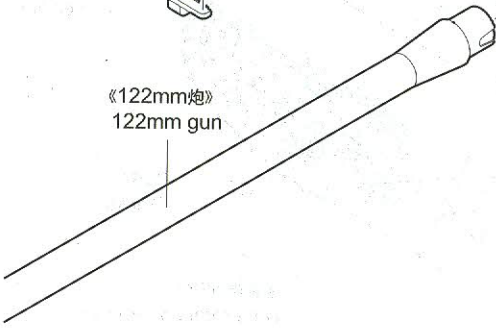
《122mm炮》
122mm gun



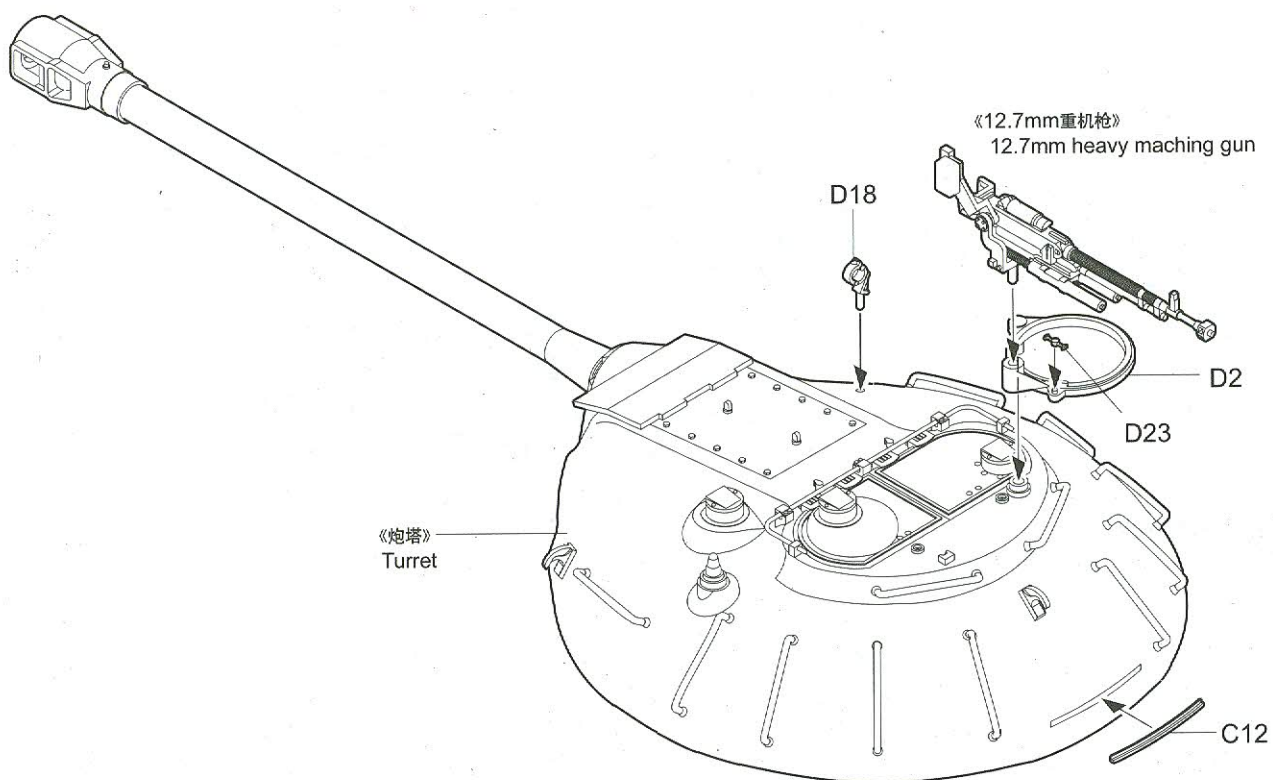
«A»



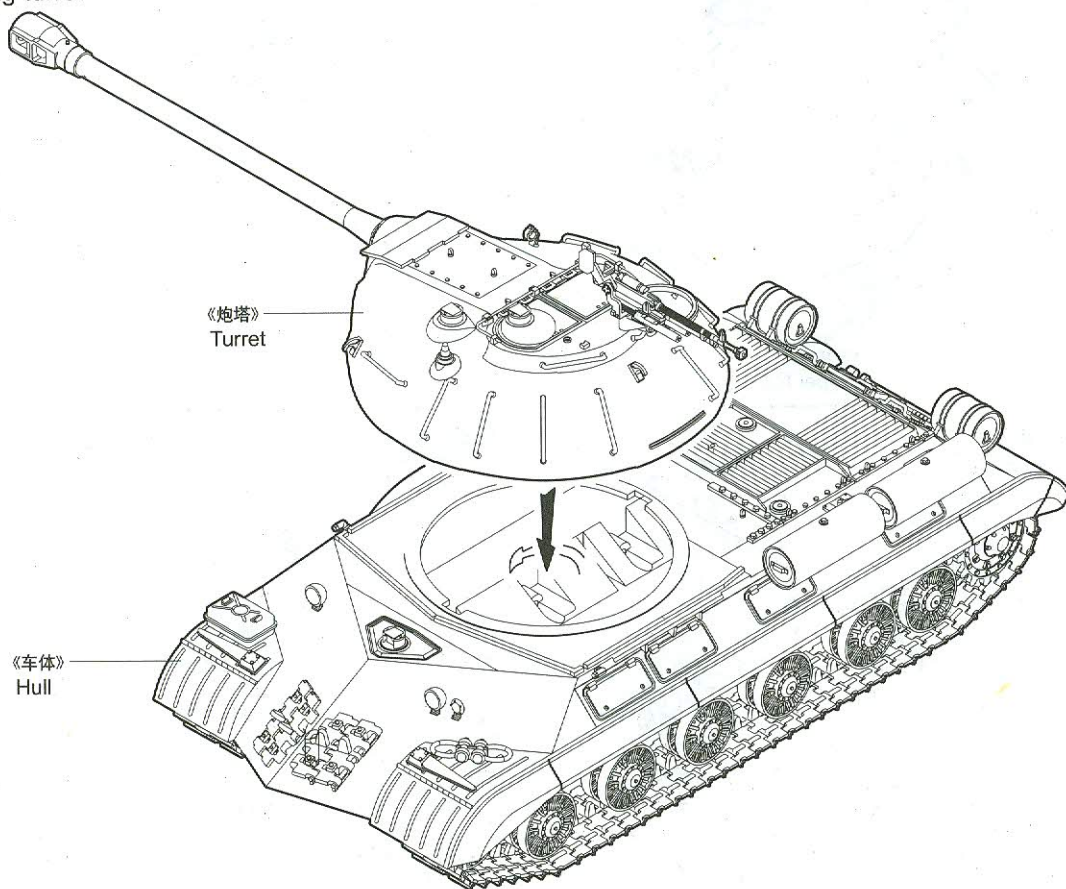
《122mm炮》
122mm gun



12 炮塔组装 II
Turret assembly II



13 炮塔的安装
Attaching turret



涂装同标贴指示
Painting & Marking guide

郡仕色使用

Gunze Mr. color used

