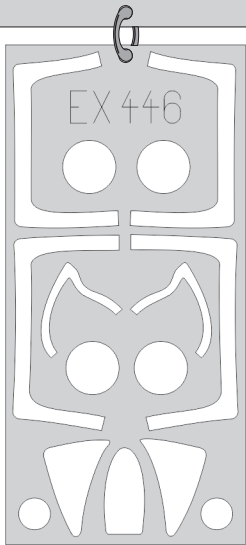


**eduard**  
**MASK**

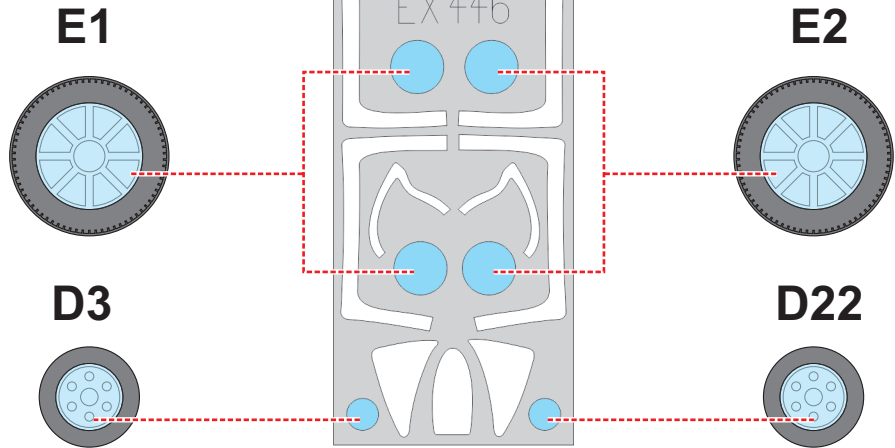
**EX 446**

# TF-9J 1/48

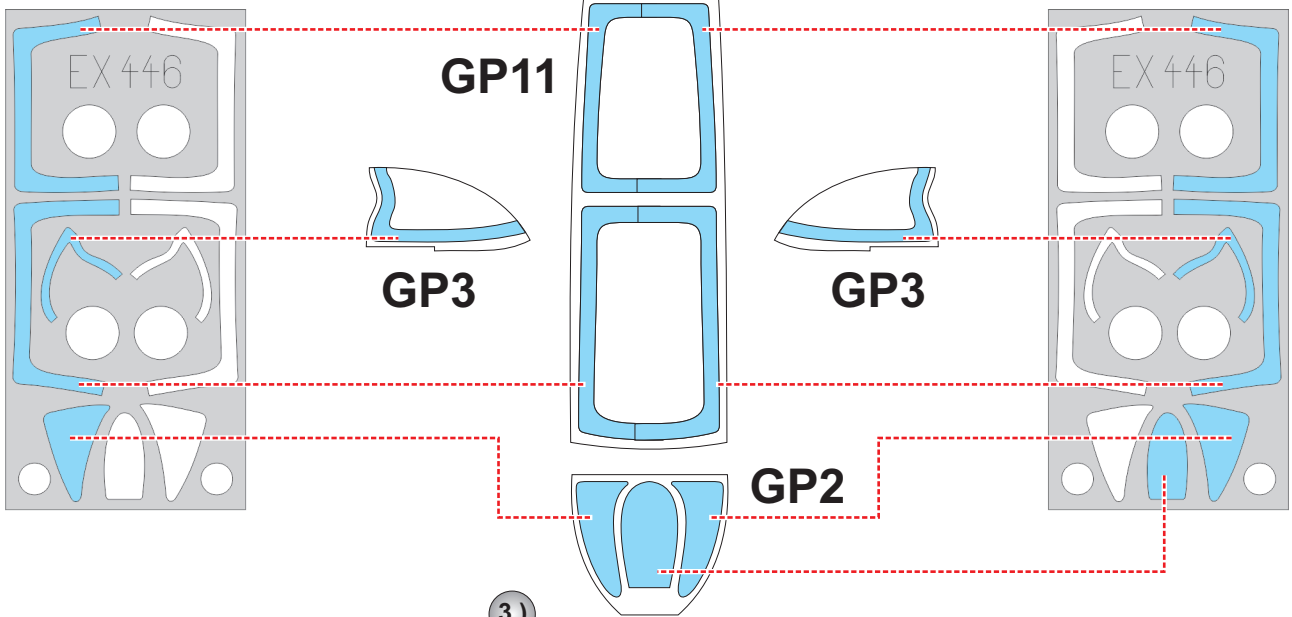
The die-cut mask for accurate canopy frame painting of the  
*Kitty Hawk KH80129 scale 1/48 KIT*



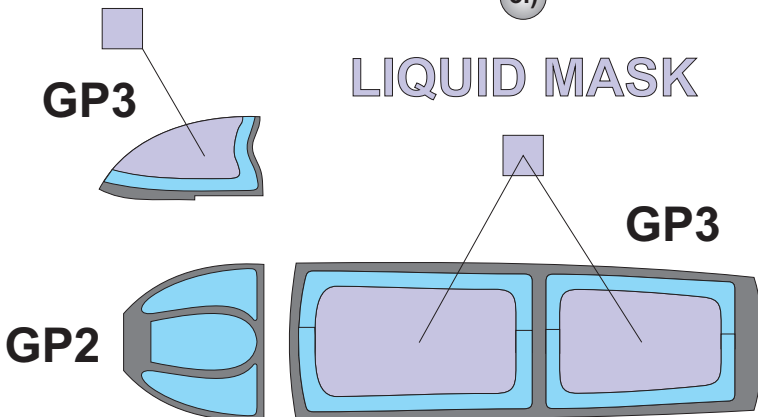
1.)



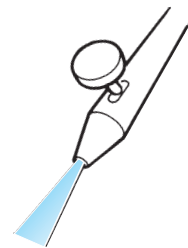
2.)



3.)



4.)



LIQUID MASK