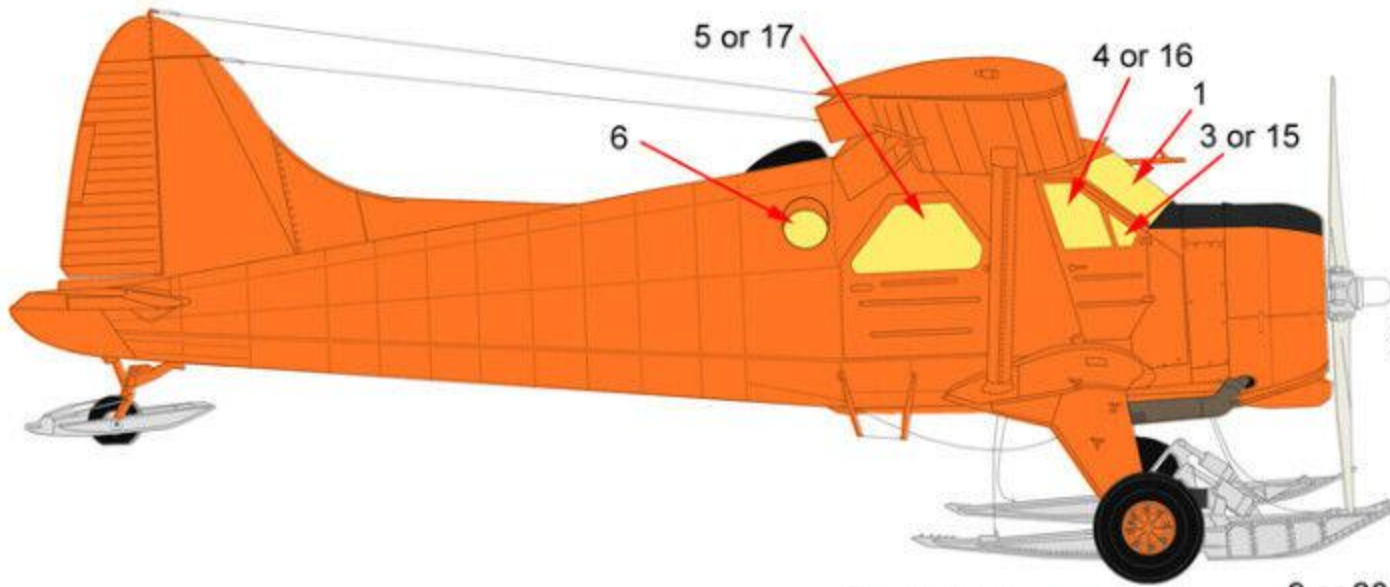
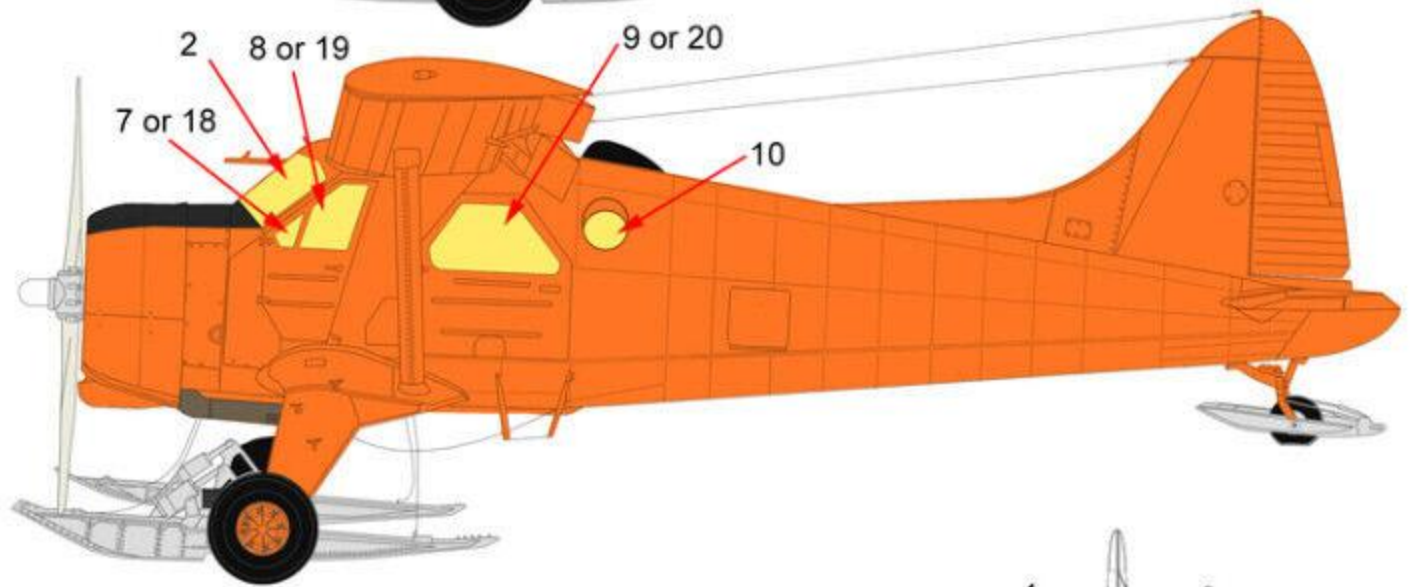


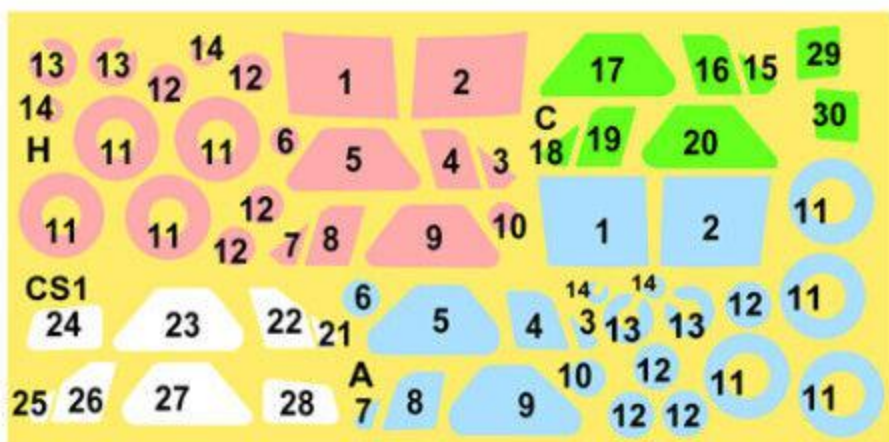
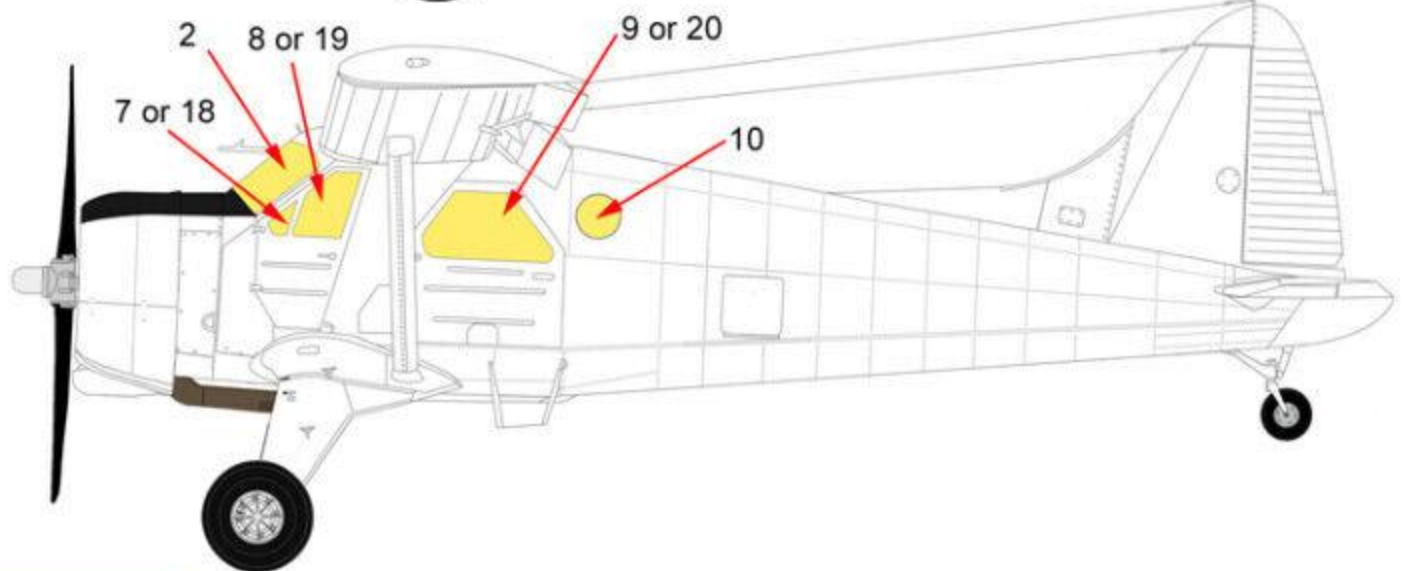
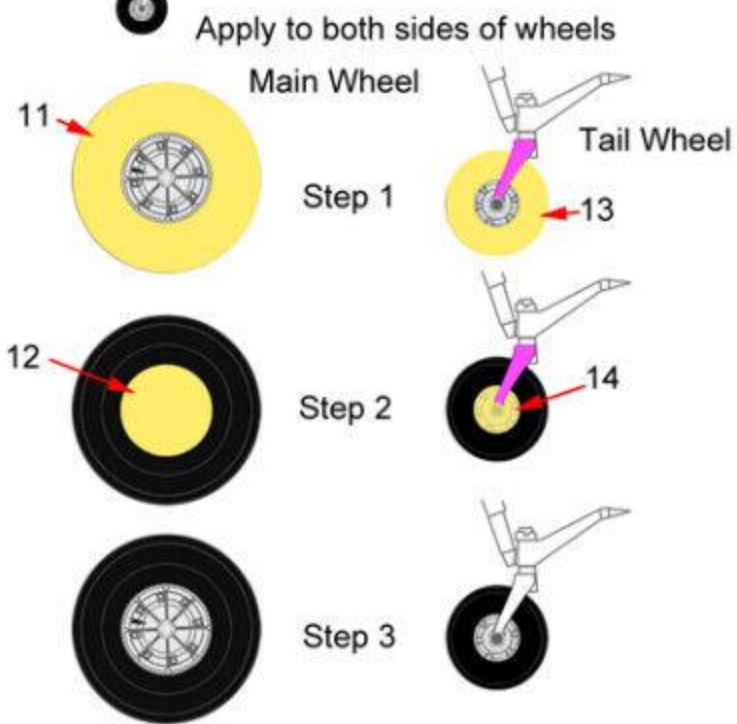
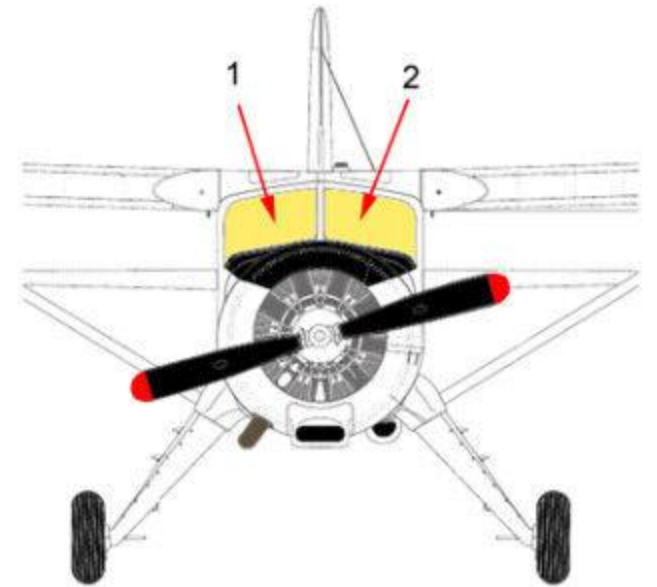
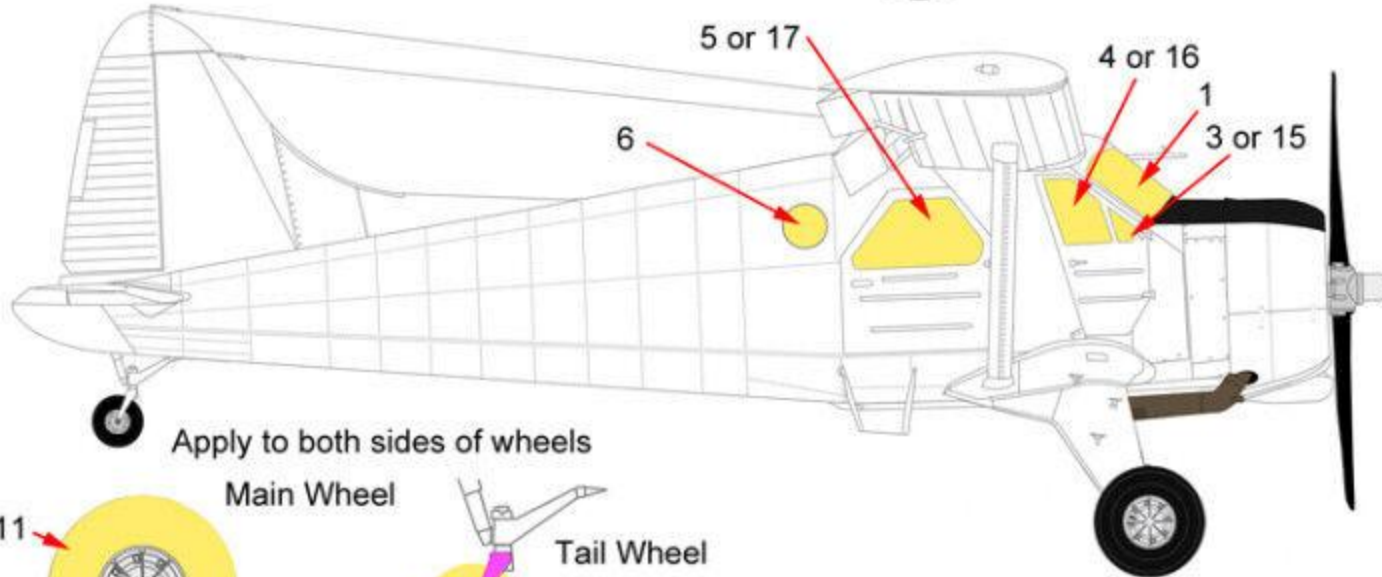
DHC-2 Beaver Paint Masks 1/72 Hobbycraft & Airfix



Standard version of the A.N.A.R.E Beaver had a round Camera Window at the rear protrudes out on an angle looking down.



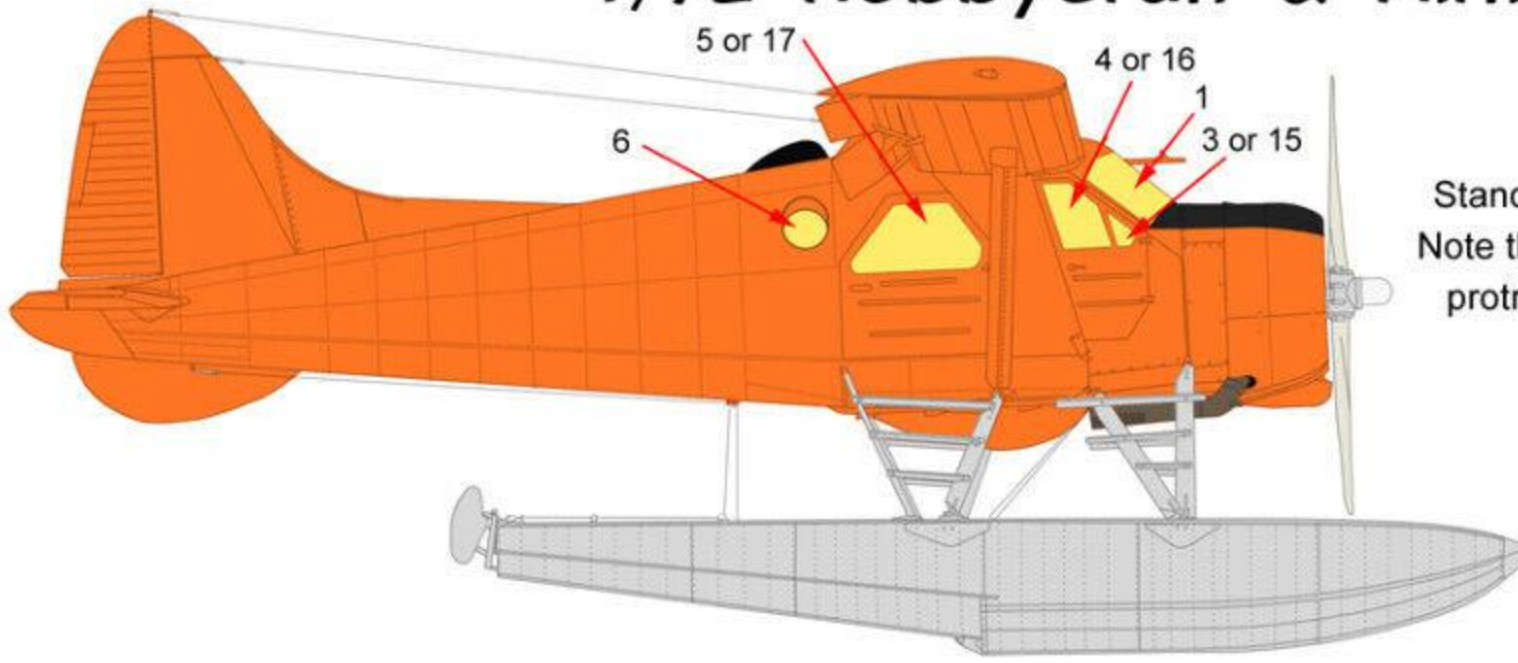
Standard version of the DHC-2 Beaver



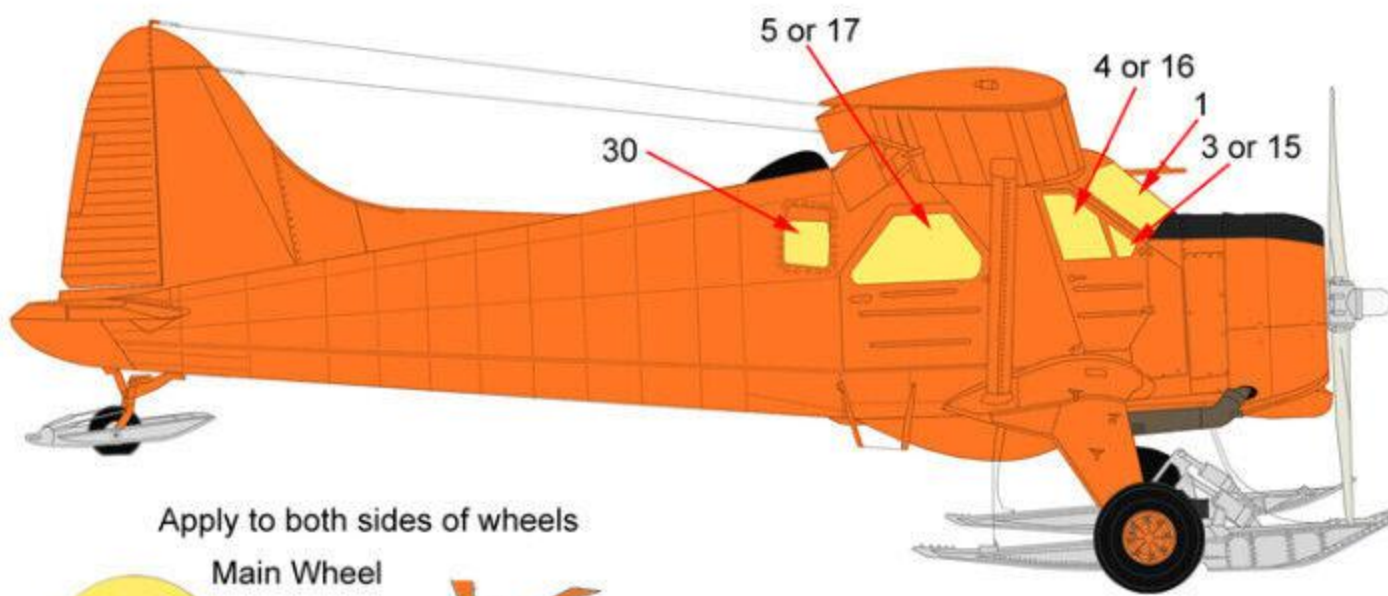
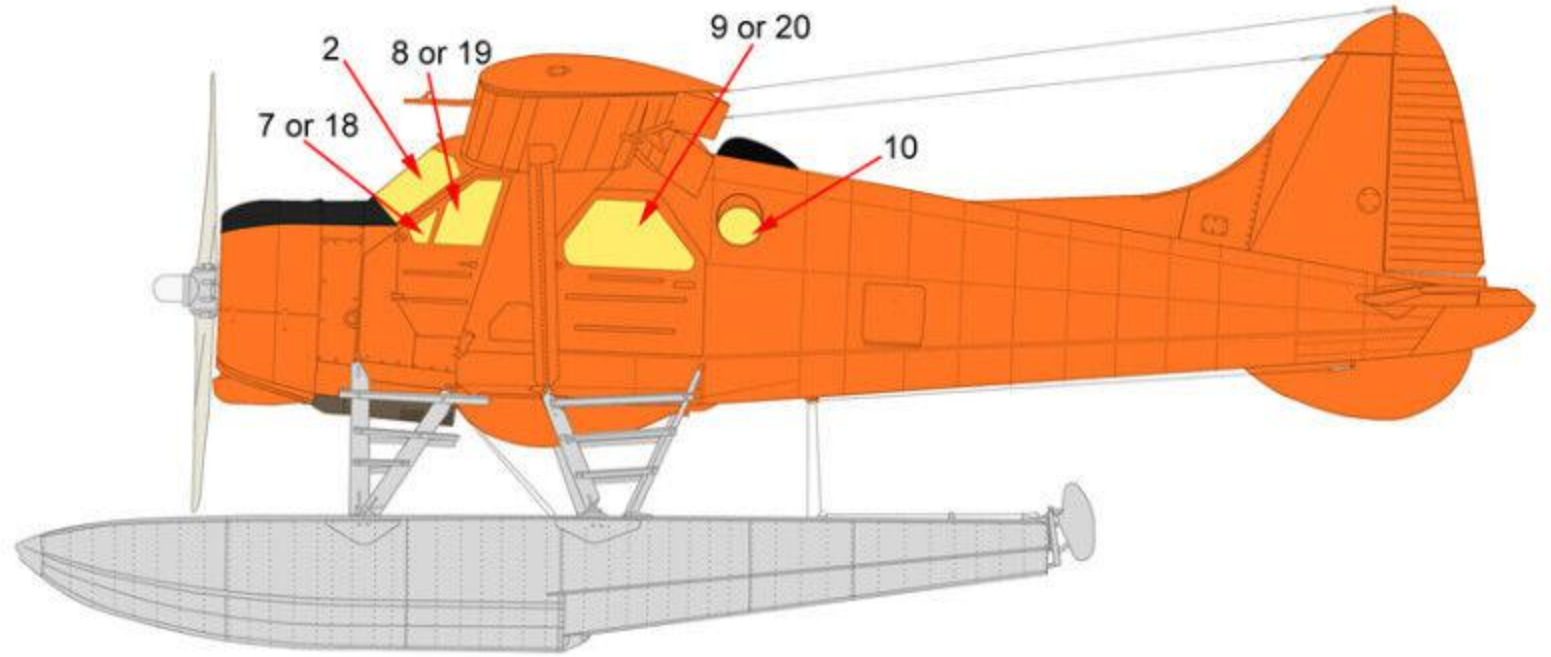
- Mask for Hobbycraft kit.
- Correction mask for windows.
- Mask for Airfix kit.
- Civil Version masks for windows.

DHC-2 Beaver Paint Masks

1/72 Hobbycraft & Airfix



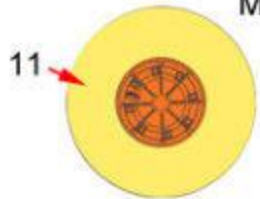
Standard A.N.A.R.E Beaver with Floats.
Note the round Camera Window at the rear protrudes out on an angle looking down.



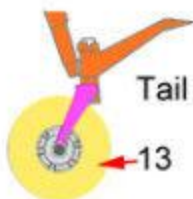
A Later version of the A.N.A.R.E Beaver had a square Camera Window at the rear protrudes out on an angle looking down.

Apply to both sides of wheels

Main Wheel

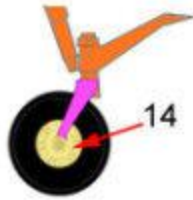


Step 1



Tail Wheel

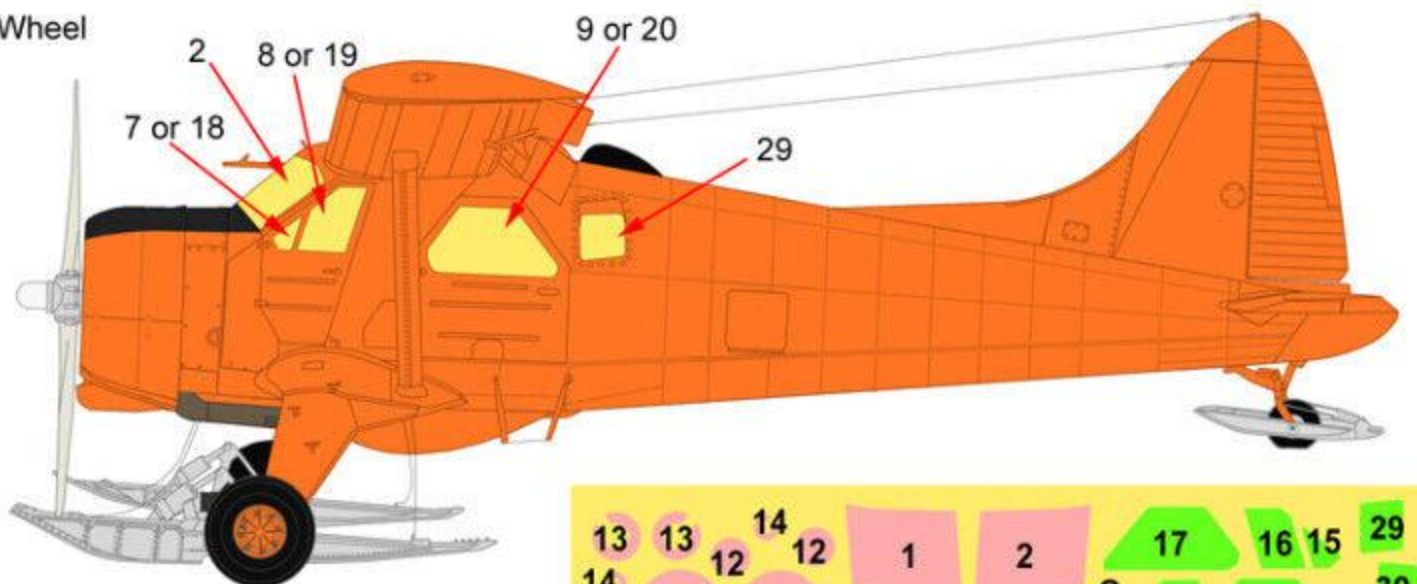
Step 1



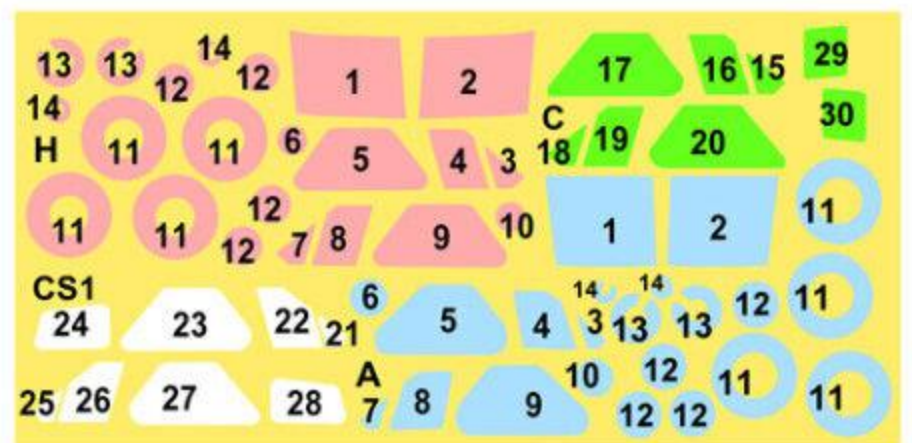
Step 2



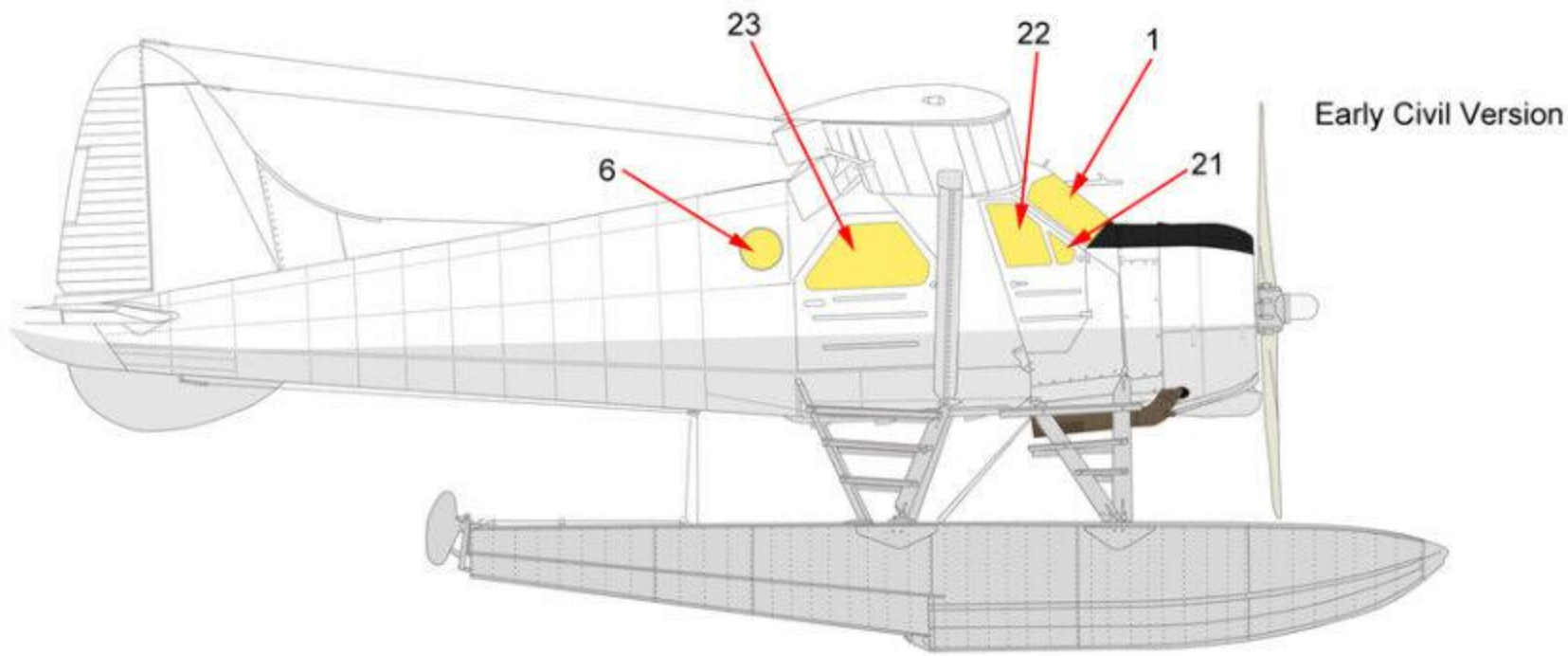
Step 3



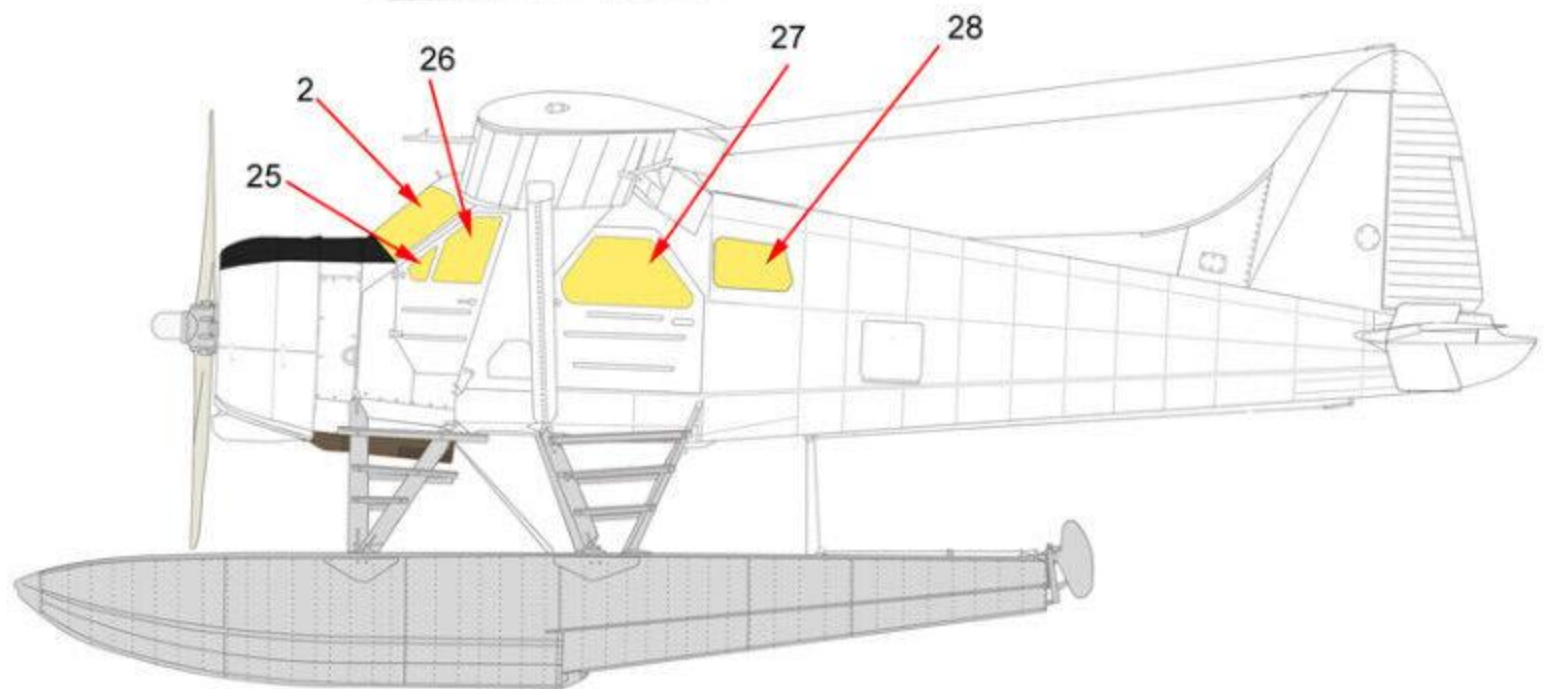
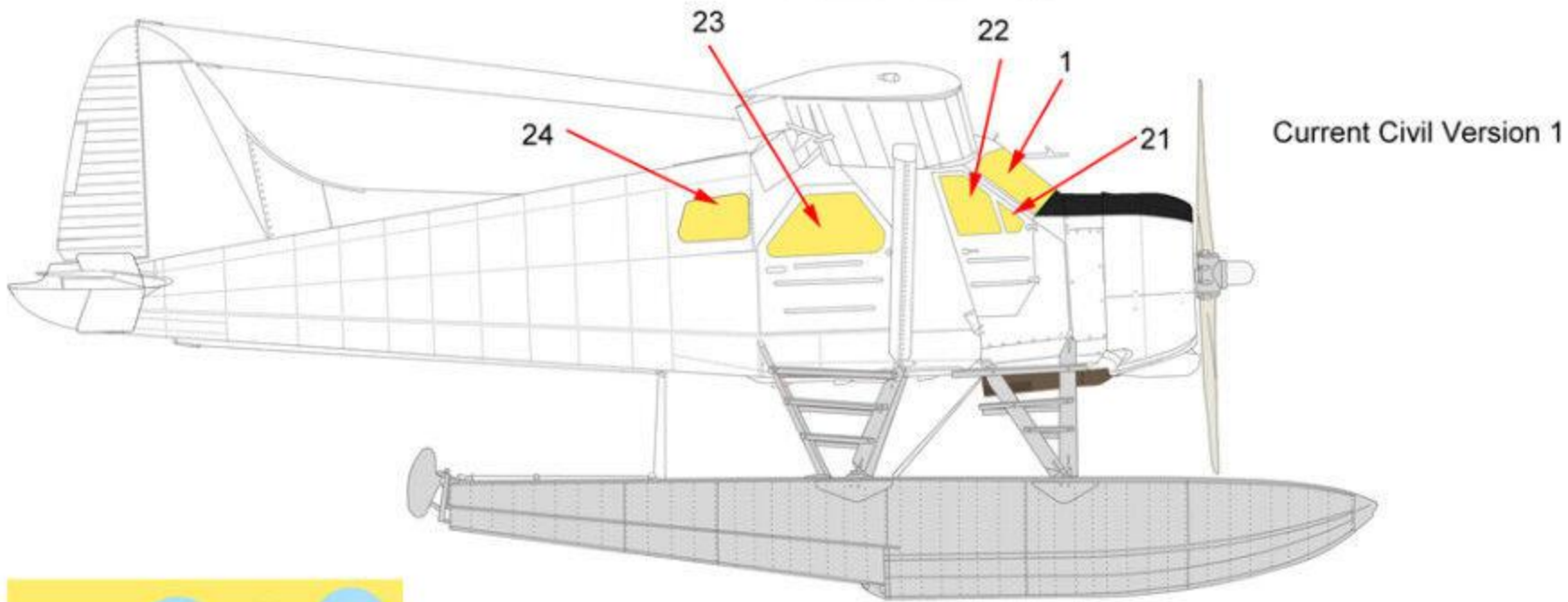
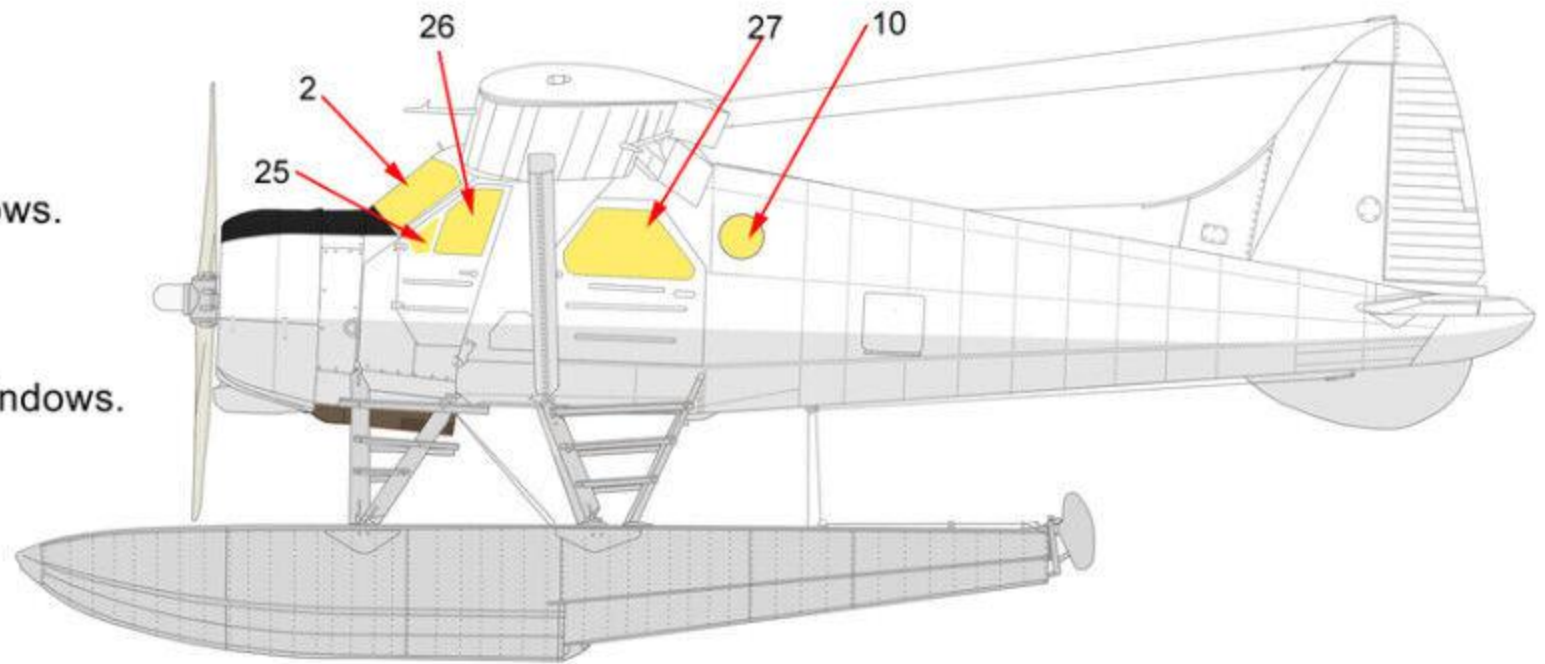
- Mask for Hobbycraft kit.
- Correction mask for windows.
- Mask for Airfix kit.
- Civil Version masks for windows.



DHC-2 Beaver Paint Masks 1/72 Hobbycraft & Airfix



- Mask for Hobbycraft kit.
- Correction mask for windows.
- Mask for Airfix kit.
- Civil Version masks for windows.



RPM-005 DHC-2 Beaver Paint Masks