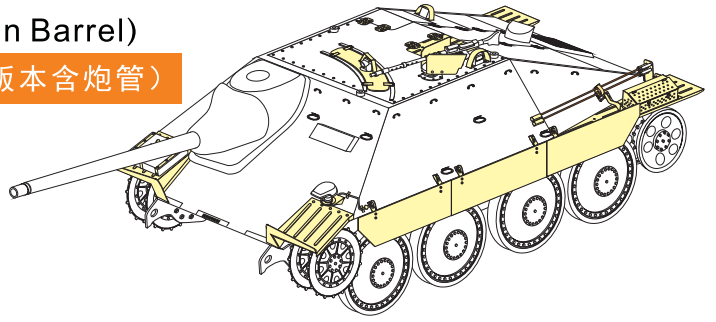


1/35 MILITARY MINIATURE VEHICLE UPGRADE SERIES PE351053

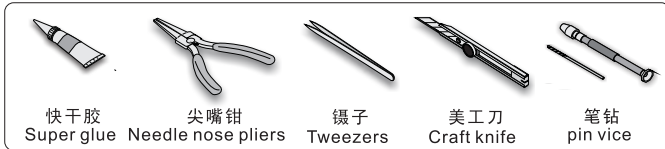
WWII German Sd.Kfz. 138/2 Hetzer Tank Destroyer Late Version (B ver include Gun Barrel)











二战德军追猎者坦克歼击车后期型改造件 (B版本含炮管)


[For ACADMY 13230 13277]



■ 推荐使用工具 RECOMMENDED TOOLS



- 
 安装
install
- 
 折叠
bend
- A1**
 改造件零件编号
PE/resin part number
- B12**
 原零件编号
kit part number
- C22**
 被替换的原零件编号
replaced kit part number
- 
 另一侧相同制作
repeat on opposite side
- 
 切除
remove
- 
 打磨
grind off
- 
 弧度卷曲
radial bending
- 
 制作若干组
multiple assembly
- 
 选择安装
alternative
- 
 钻孔
drill
- 
 用胶棒制作
make from plastic rod

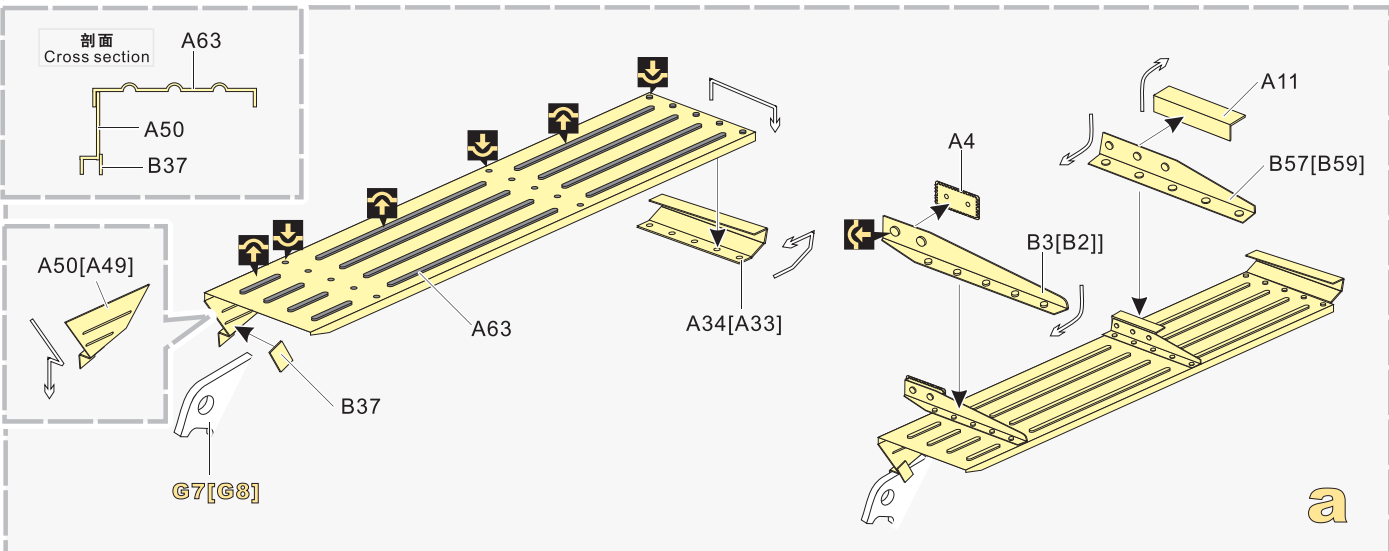
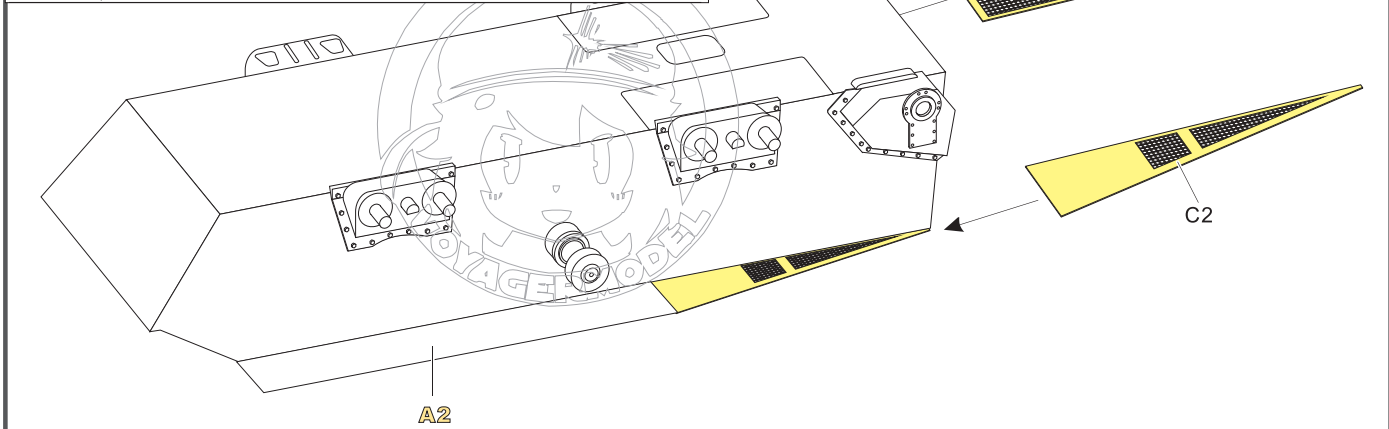

 用尖端在凹槽处冲压
use penpoint to press on the dent

蚀刻片零件内朝面向上
Put the part upside down
 用笔尖在凹槽处刻
Use penpoint to press on the dent



VOYAGERMODEL® 无微不至 极致享受

Recommended item	
PE 35916	WWII German Bergepanzer Hetzer Basic
PE 35176	WWII German HETZER
PE 351052	WWII German Sd. Kfz. 138/2 Hetzer Tank Destroyer Early Version (B ver include Gun Barrel)
PE 35666	WWII German Sd.Kfz.138/2 Hetzer Tank Destroyer Early Version (B ver include Gun Barrel)
PE 351038	WWII German Sd.Kfz.138/2 Hetzer Tank Destroyer Late Version (B ver include Gun Barrel)
VBS 0542	WWII German Sd.Kfz.138/2 Hetzer Tank Destroyer Middle Version Gun Barrel
VBS 0541	WWII German Sd.Kfz.138/2 Hetzer Tank Destroyer Early Version Gun Barrel



1/35 MILITARY MINIATURE VEHICLE UPGRADE SERIES PE351053

b

c

d x19

e

f x24

g

h x2

i

j

k

l

m

n

o

p

1/35 MILITARY MINIATURE VEHICLE UPGRADE SERIES PE351053

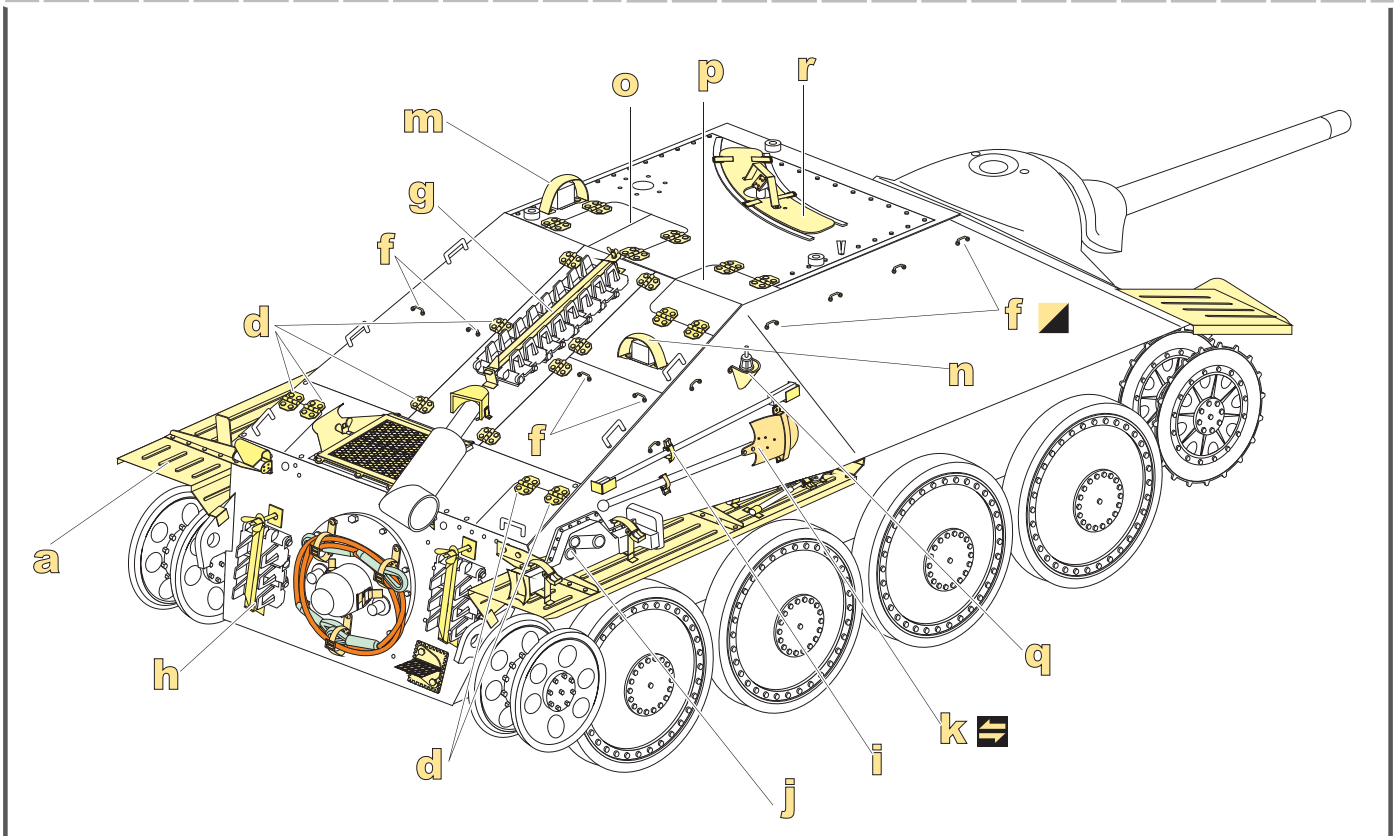
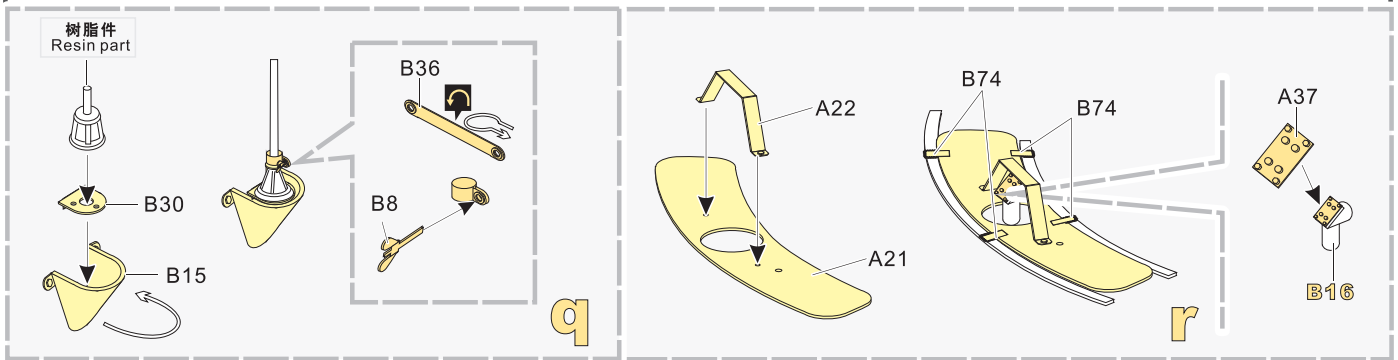
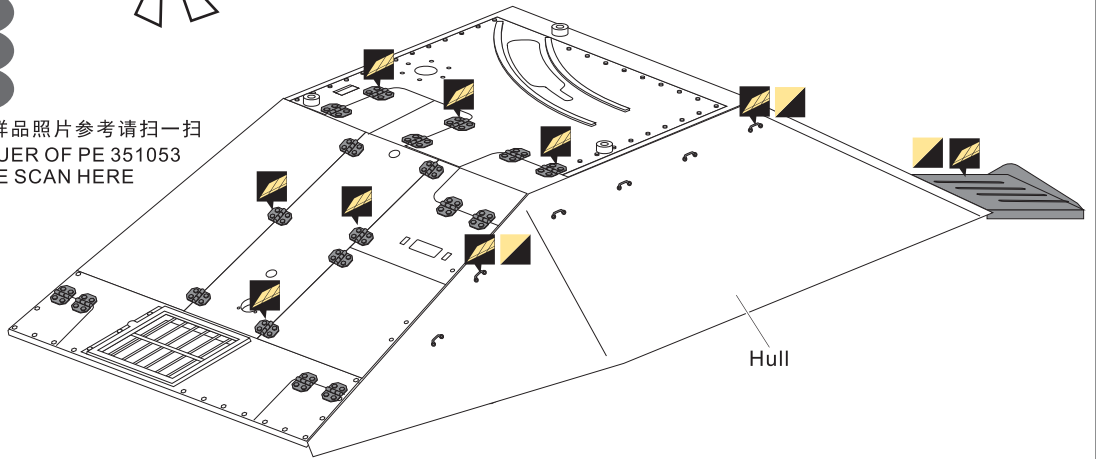
<http://www.voyagermodel.com/productdetails.asp?itemid=PE351053>



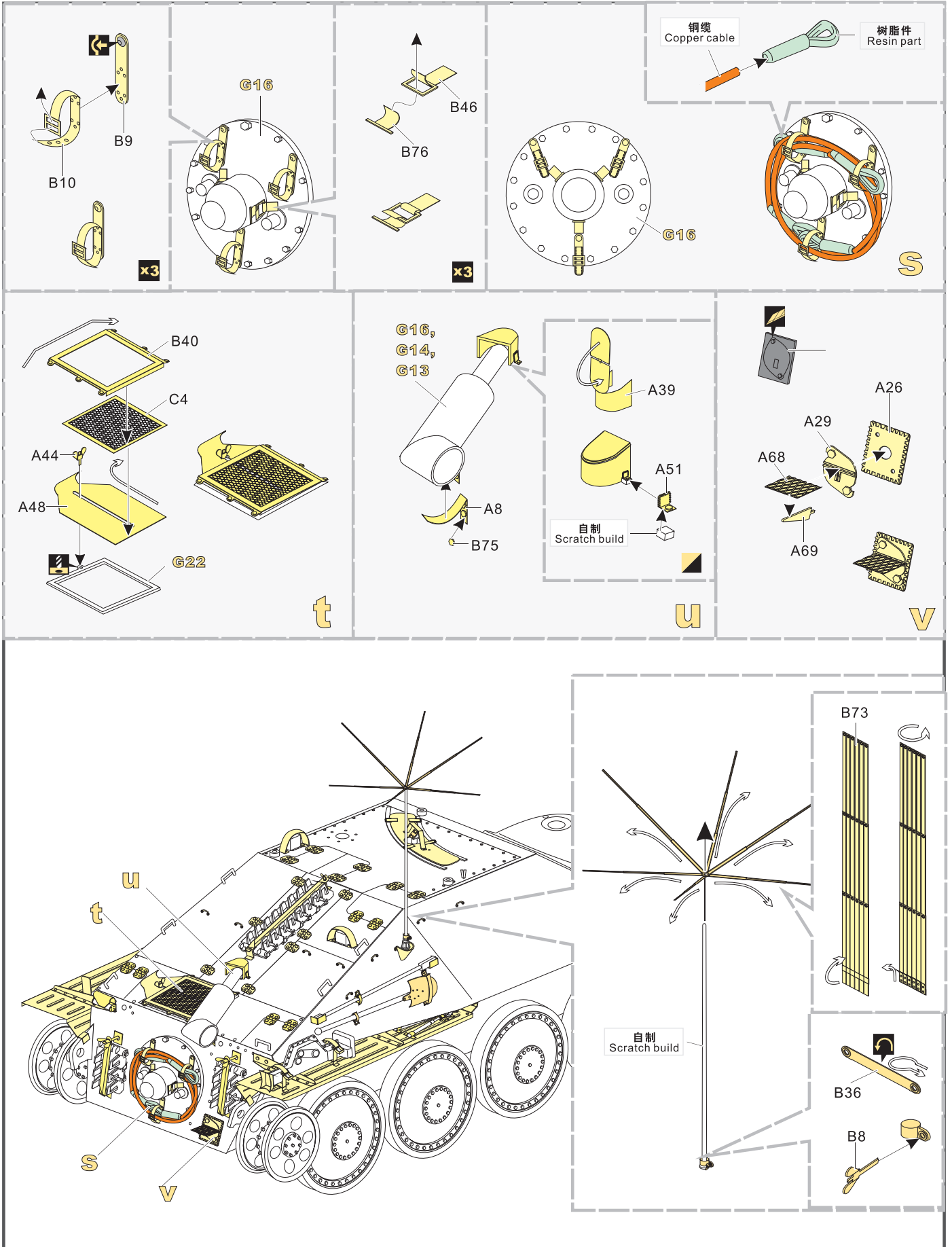
**VOYAGER
MODEL**



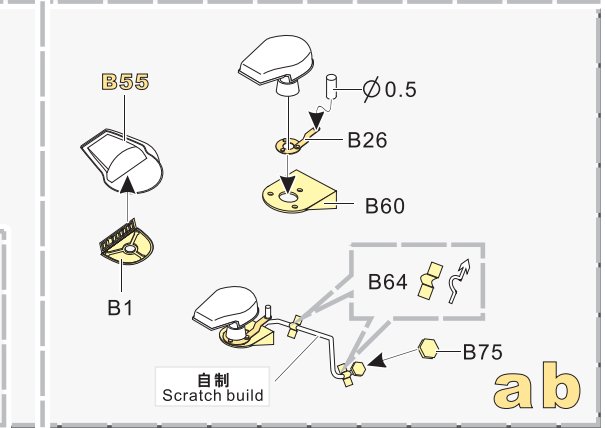
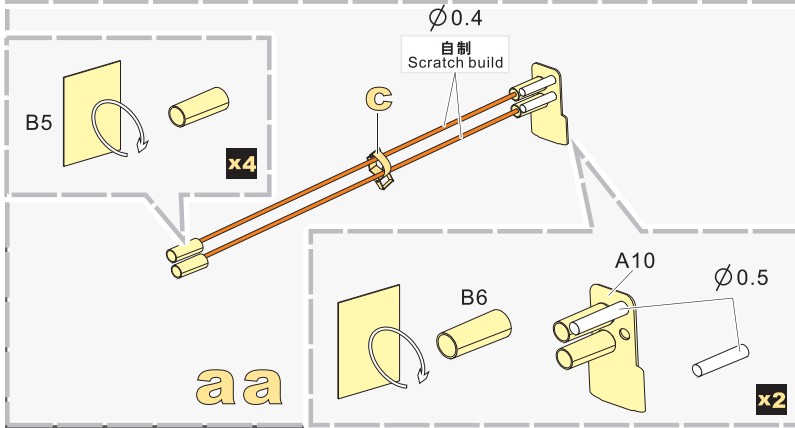
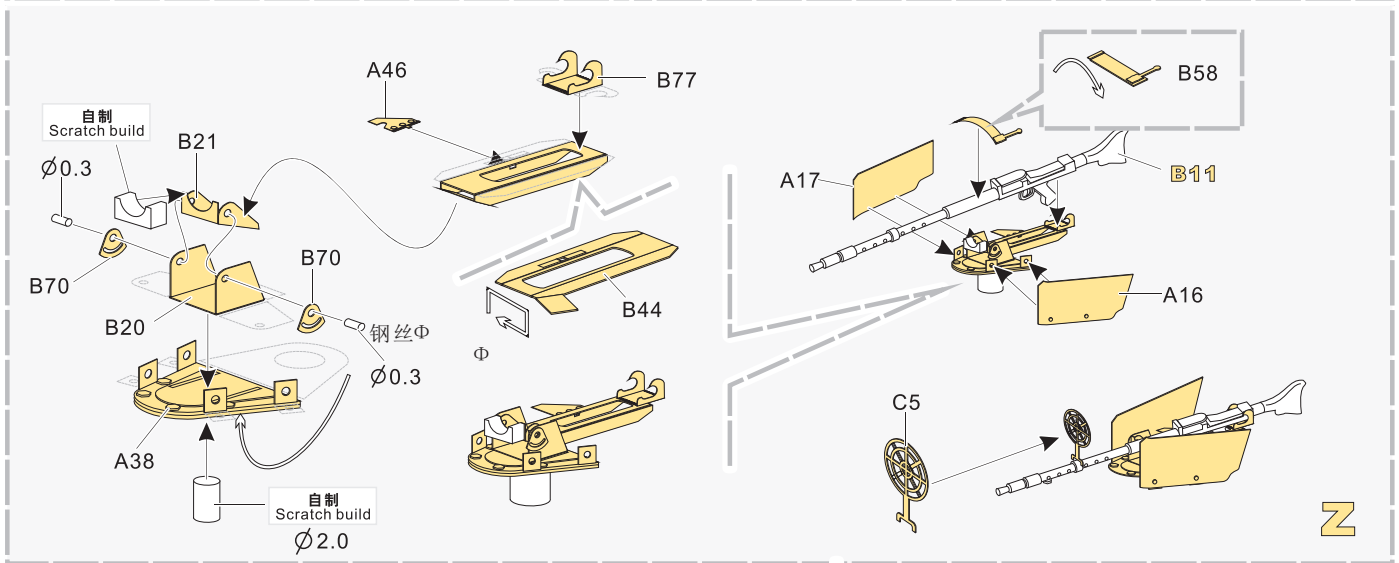
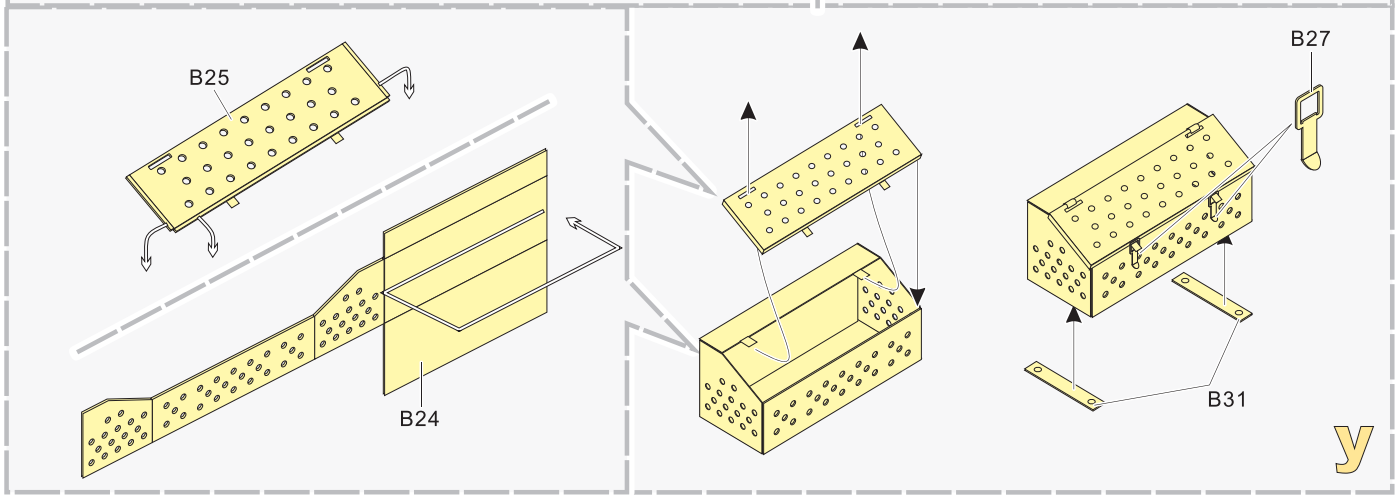
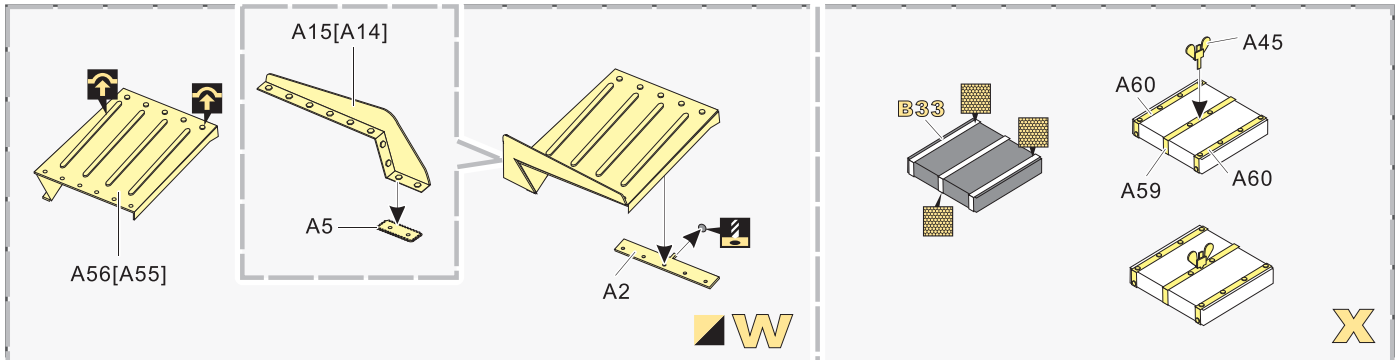
更多PE351053样品照片参考请扫一扫
MORE PICTUER OF PE 351053
REFERENCE SCAN HERE



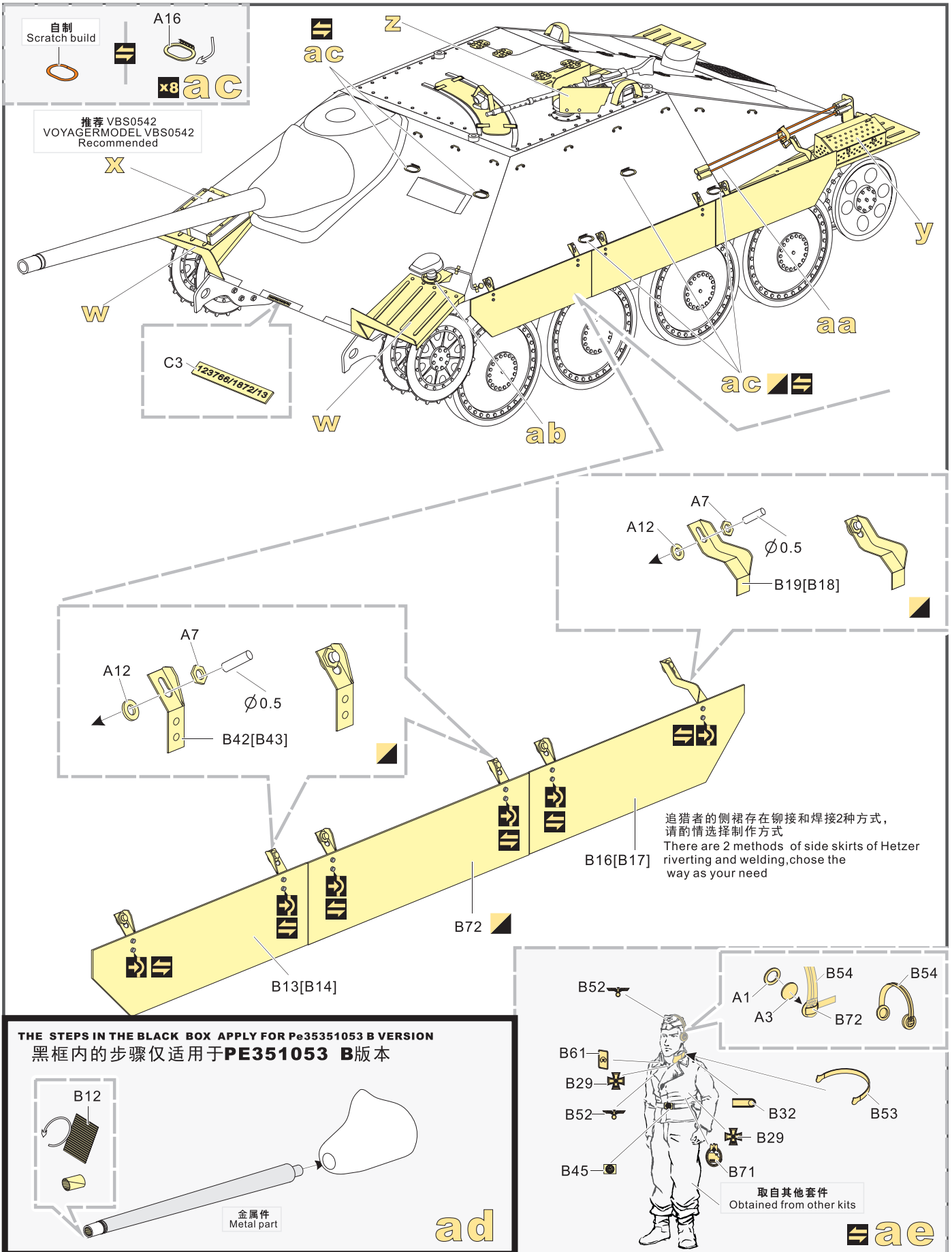
1/35 MILITARY MINIATURE VEHICLE UPGRADE SERIES PE351053



1/35 MILITARY MINIATURE VEHICLE UPGRADE SERIES PE351053



1/35 MILITARY MINIATURE VEHICLE UPGRADE SERIES PE351053



自制
Scratch build

A16

x8 ac

推荐 VBS0542
VOYAGERMODEL VBS0542
Recommended

C3

123760/1672/13

A7

A12

∅0.5

B19[B18]

A7

A12

∅0.5

B42[B43]

追猎者的侧裙存在铆接和焊接2种方式，
请酌情选择制作方式
There are 2 methods of side skirts of Hetzer
riveting and welding, chose the
way as your need

THE STEPS IN THE BLACK BOX APPLY FOR Pe35351053 B VERSION
黑框内的步骤仅适用于PE351053 B版本

B12

金属件
Metal part

ad

B52

A1

A3

B54

B72

B54

B61

B29

B52

B45

B32

B29

B71

取自其他套件
Obtained from other kits

ae