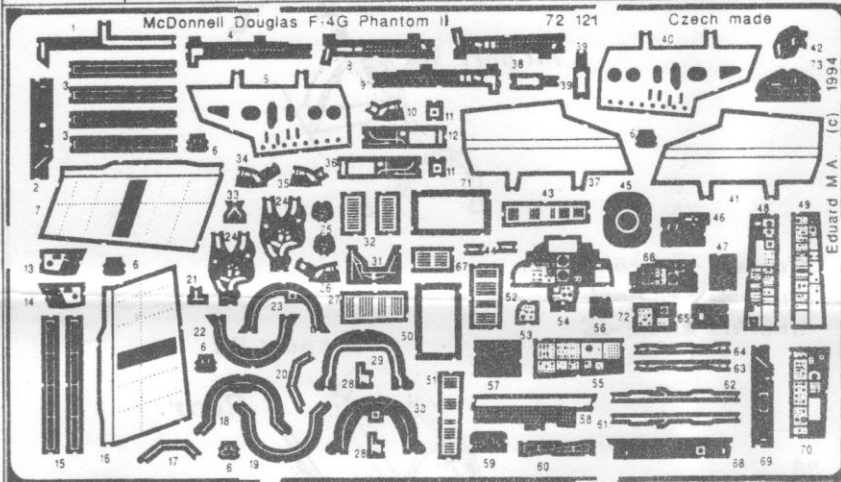







# F-4G Phantom II

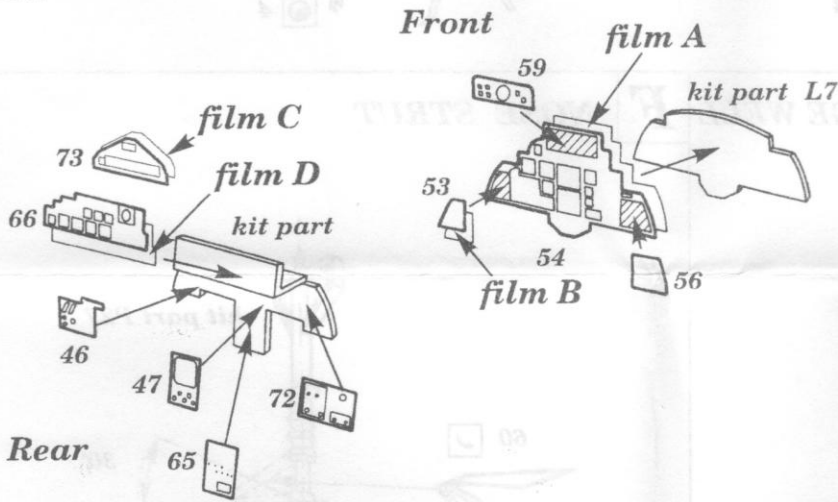
1/72 scale detail set for Hasegawa kit



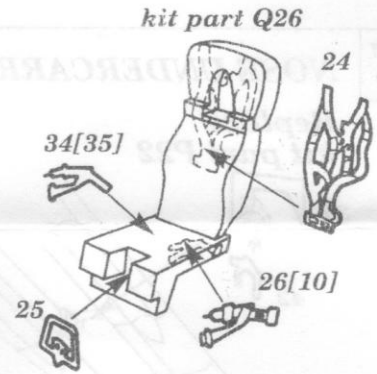
**CAUTION!**  
PHOTO-ETCHED PARTS CAN BE ONLY GLUED WITH CYANOACRYLATE GLUE. WORK IN A WELL VENTILATED AREA. DON'T INHALE VAPORS, SINCE THESE CAN BE HARMFUL. WASH YOUR HANDS AFTER USING.

-  OPPOSITE SIDE
-  REMOVE
-  BEND

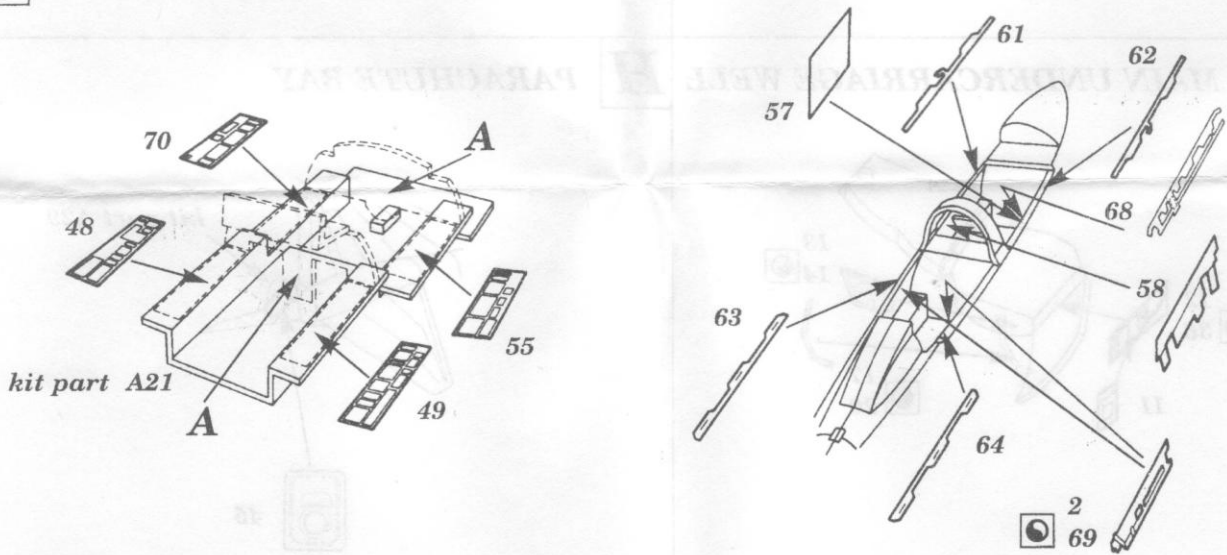
## A INSTRUMENT PANELS



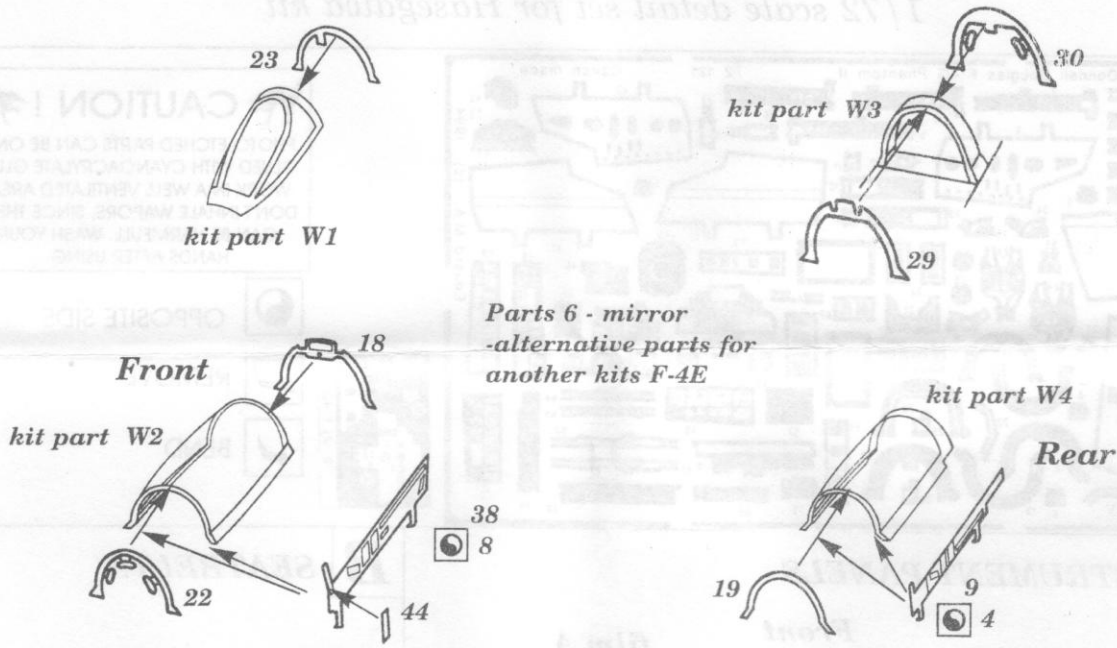
## B SEATBELTS



## C COCKPIT - CANOPY LOCKS

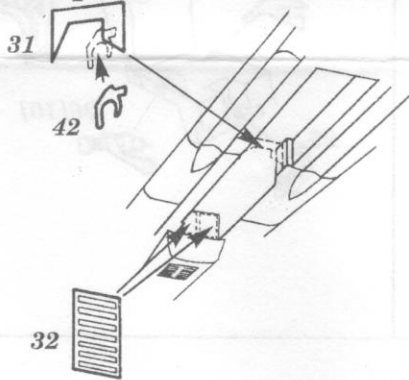


# D CANOPY

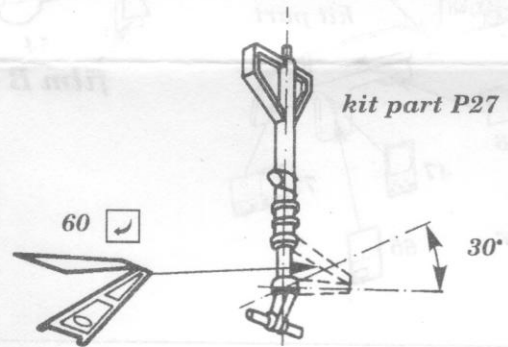


# E NOSE UNDERCARRIAGE WELL

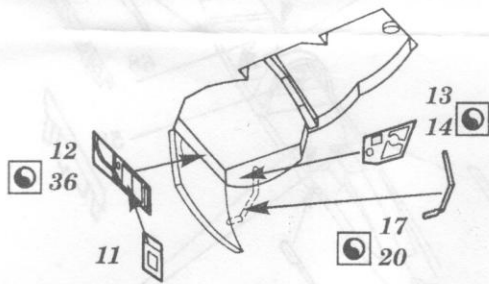
Replace  
kit part P22



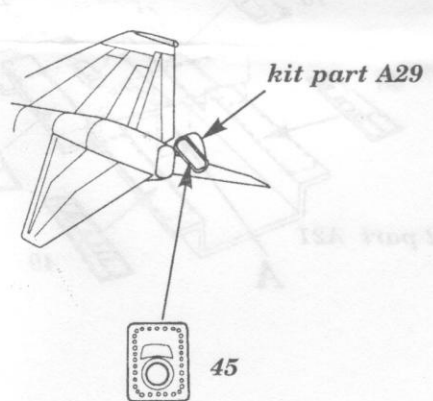
# F NOSE STRUT



# G MAIN UNDERCARRIAGE WELL

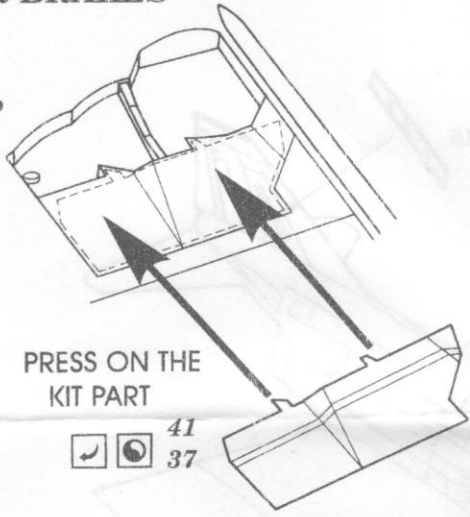


# H PARACHUTE BAY

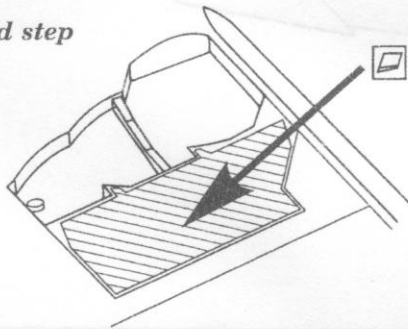


# I AIR BRAKES

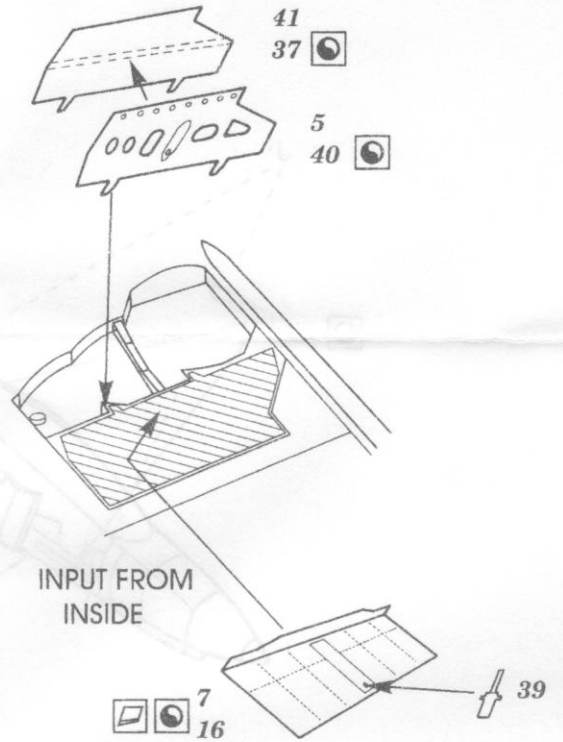
1st step



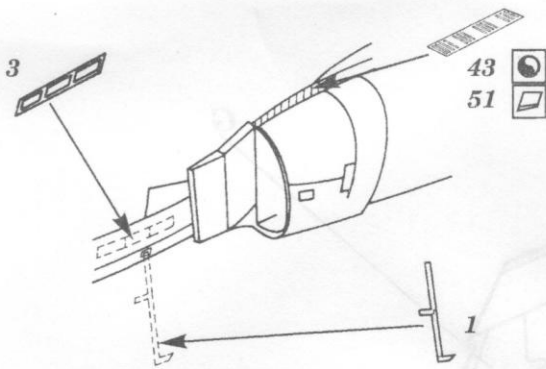
2nd step



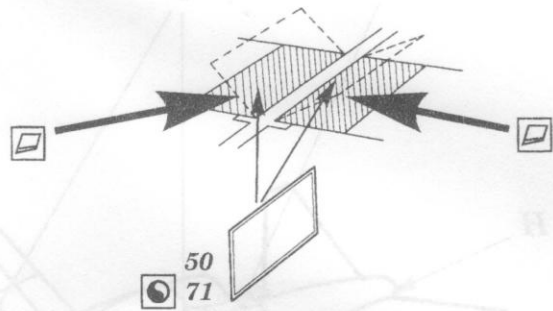
3rd step



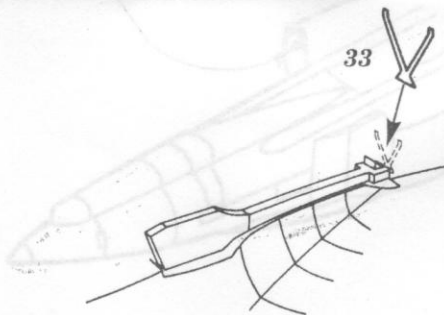
# J BOARDING LADDER



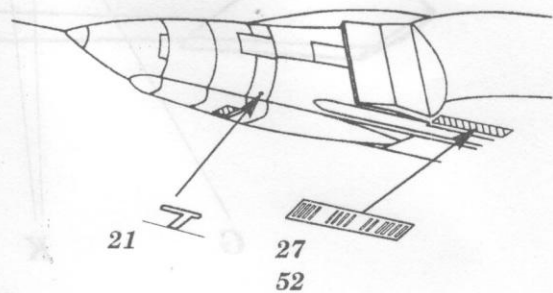
# K INTAKE DOORS



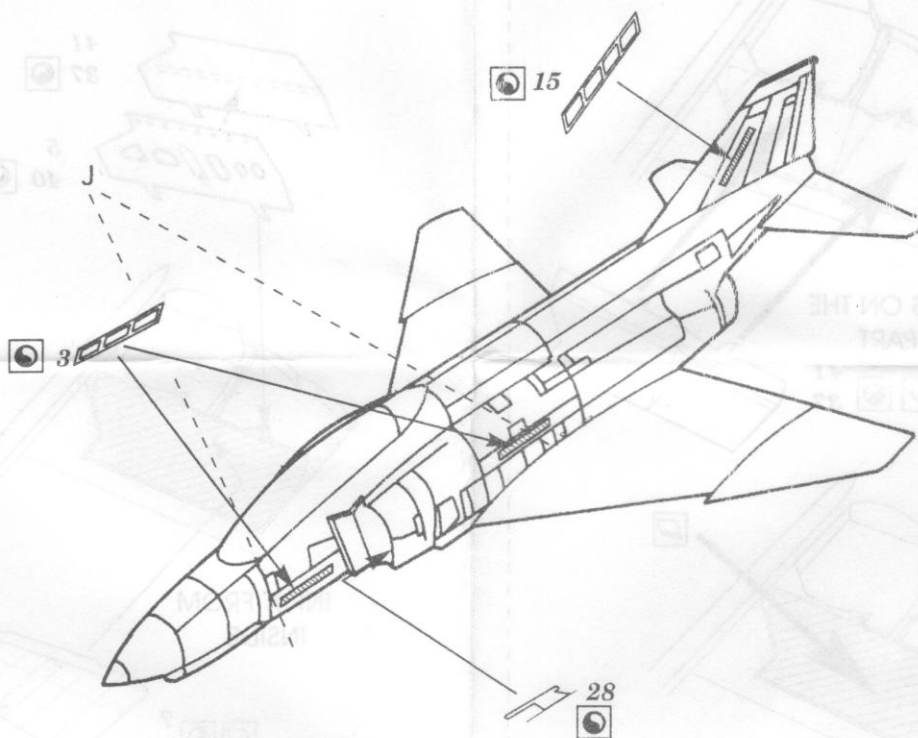
# L ARRESTING HOOK



# M GRILLS



# N EXTERNAL PARTS - TOP



# O EXTERNAL PARTS - BOTTOM

