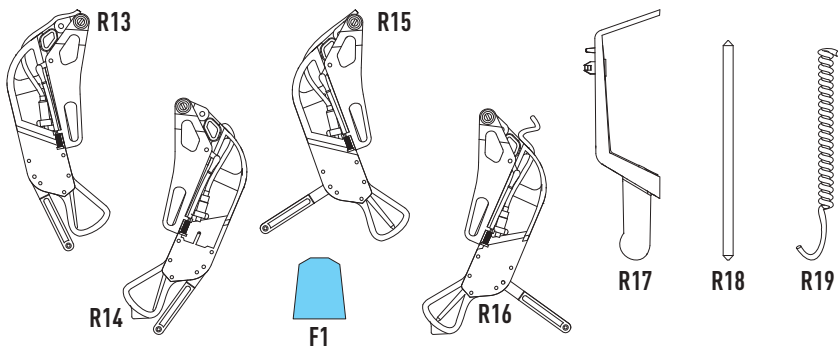
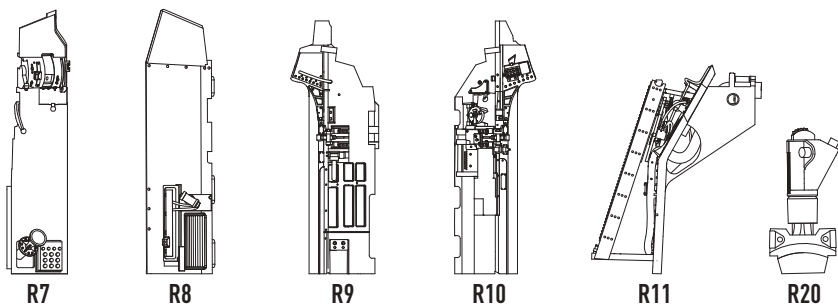
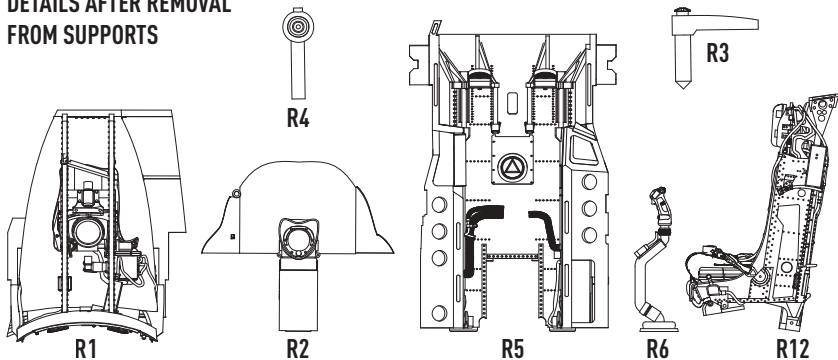
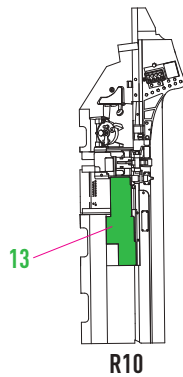
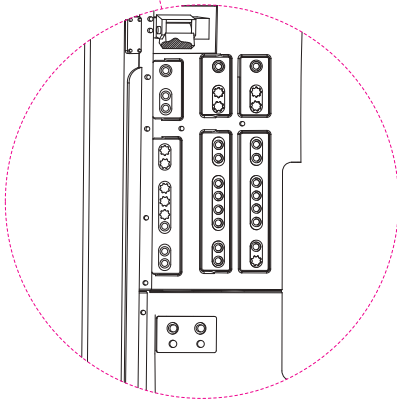
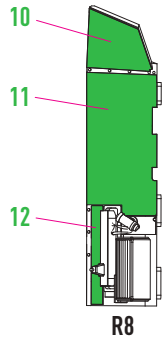
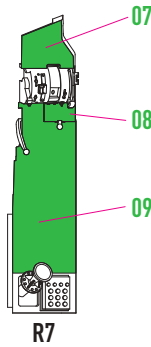
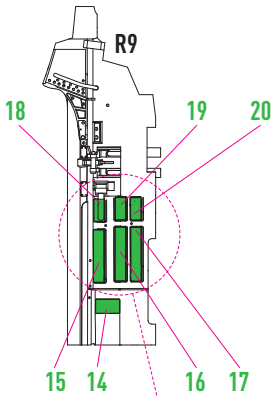
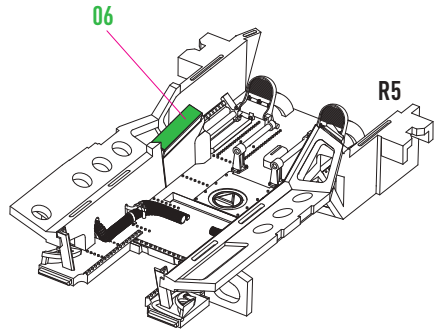
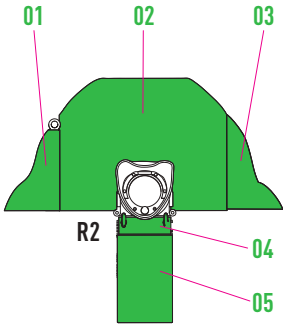


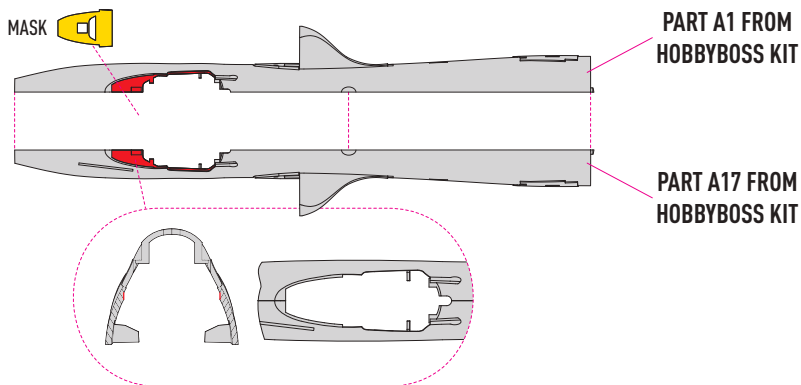
DETAILS AFTER REMOVAL FROM SUPPORTS



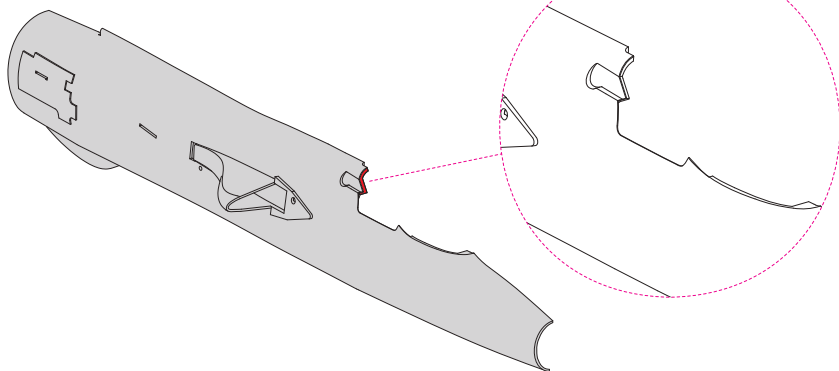
3D-DECAL INSTRUCTION



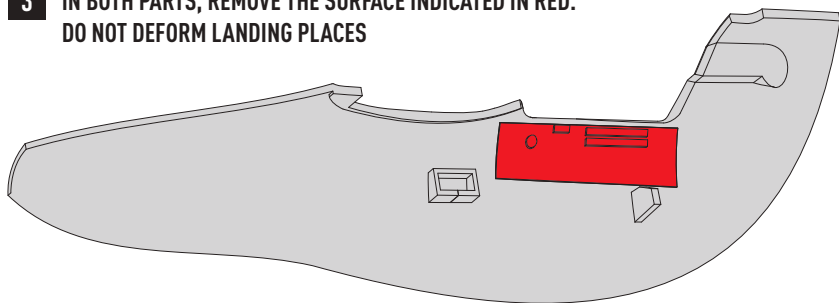
- 1** APPLY WITHOUT GLUING THE TWO CASTS TOGETHER AND PASTE THE MASK.
MARK THE PATH OF THE CONTOUR AND DELETE THE PART INDICATED IN RED



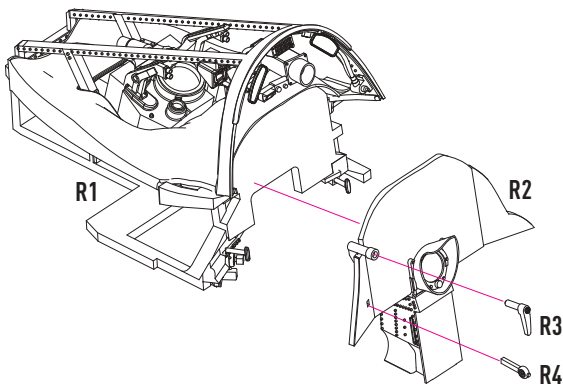
- 2** CUT IN BOTH PARTS (IN THE PLACES INDICATED IN RED)
CHAMFER NOT LESS THAN 45°



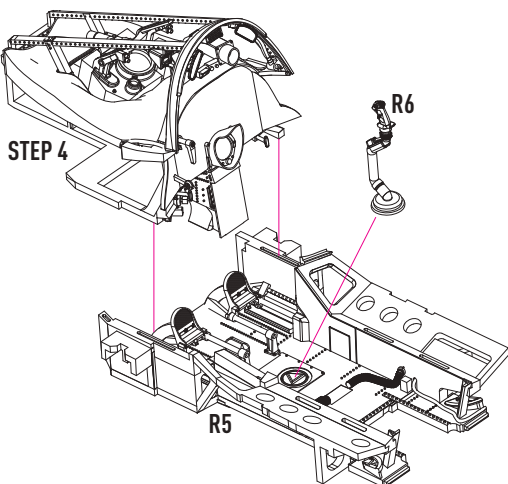
- 3** IN BOTH PARTS, REMOVE THE SURFACE INDICATED IN RED.
DO NOT DEFORM LANDING PLACES



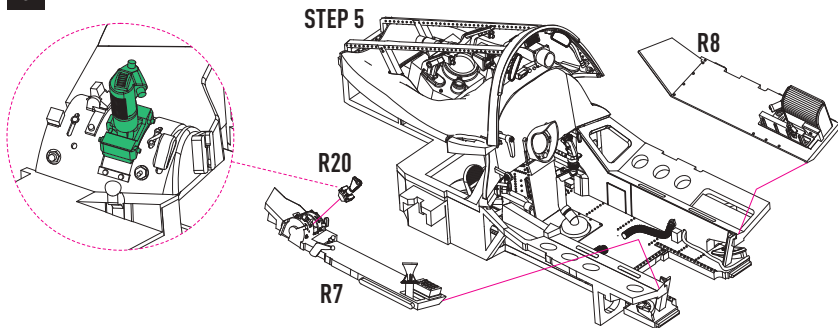
4



5

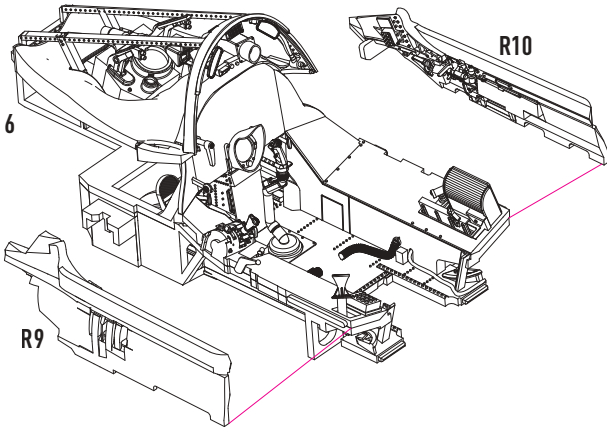


6



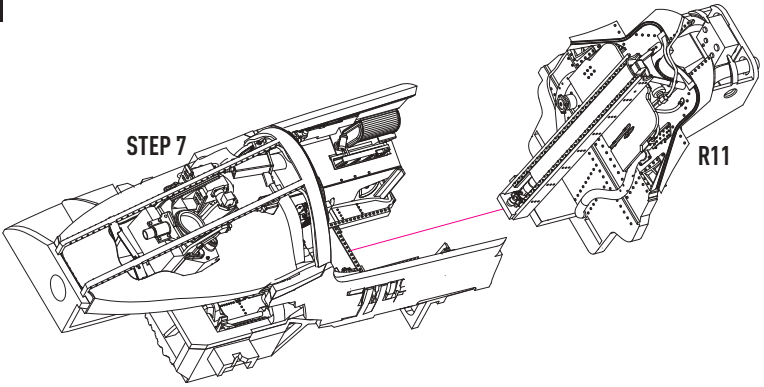
7

STEP 6

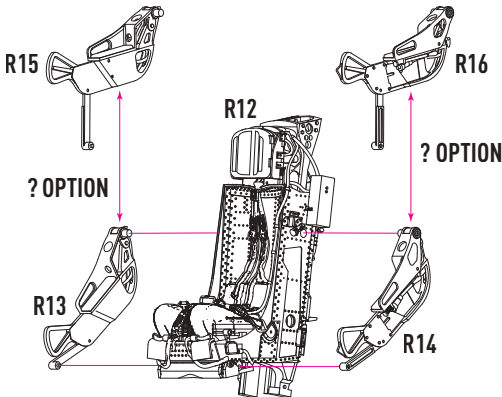


8

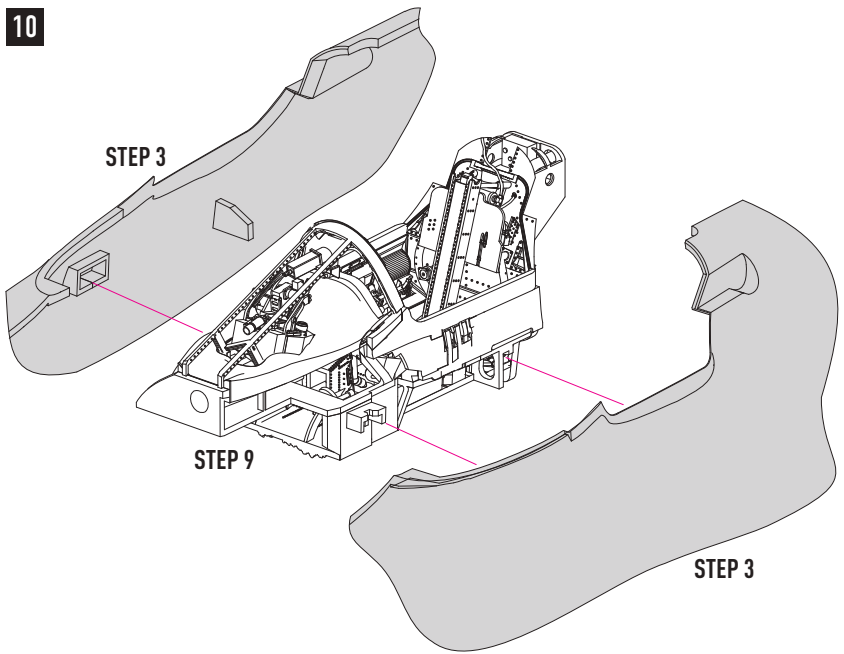
STEP 7



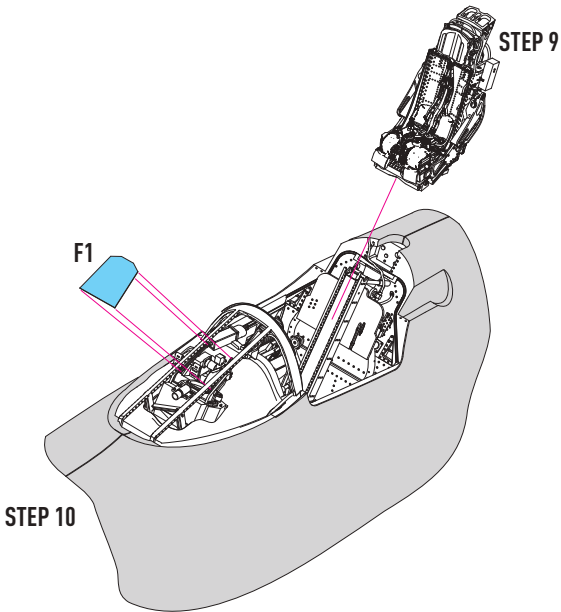
9



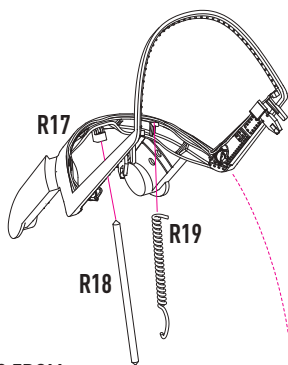
10



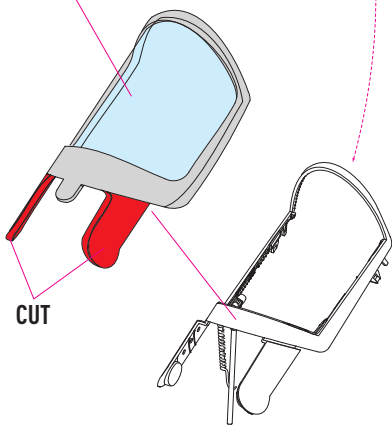
11



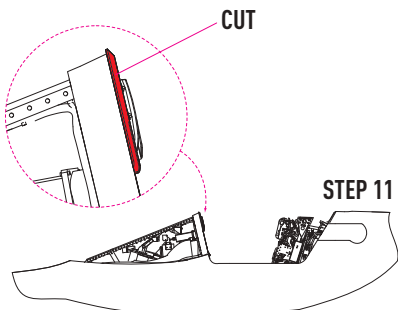
FOR AN OPEN COCKPIT



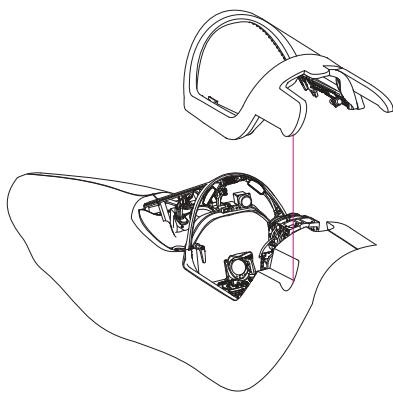
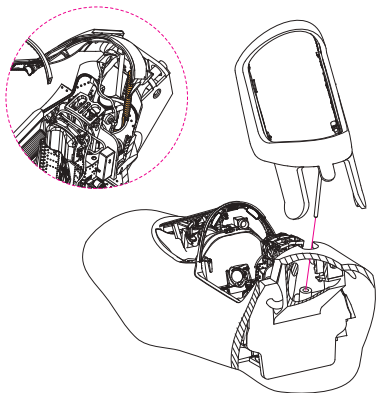
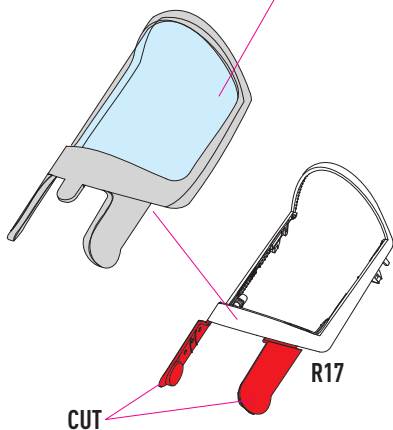
PART M9 FROM HOBBYBOSS KIT



FOR A CLOSED COCKPIT



PART M9 FROM HOBBYBOSS KIT



DECAL INSTRUCTION

