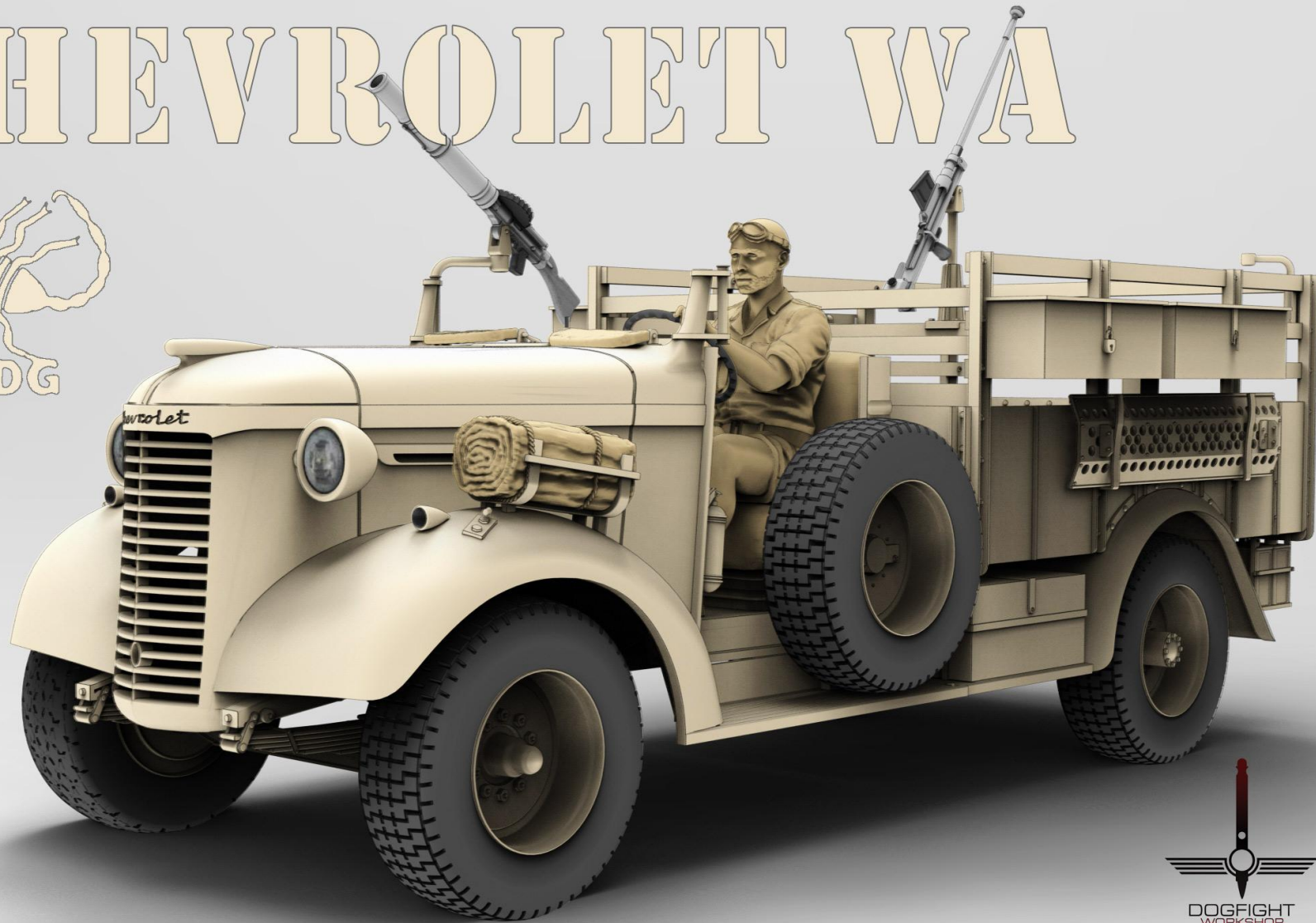
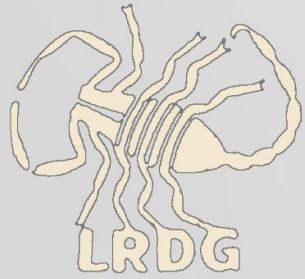
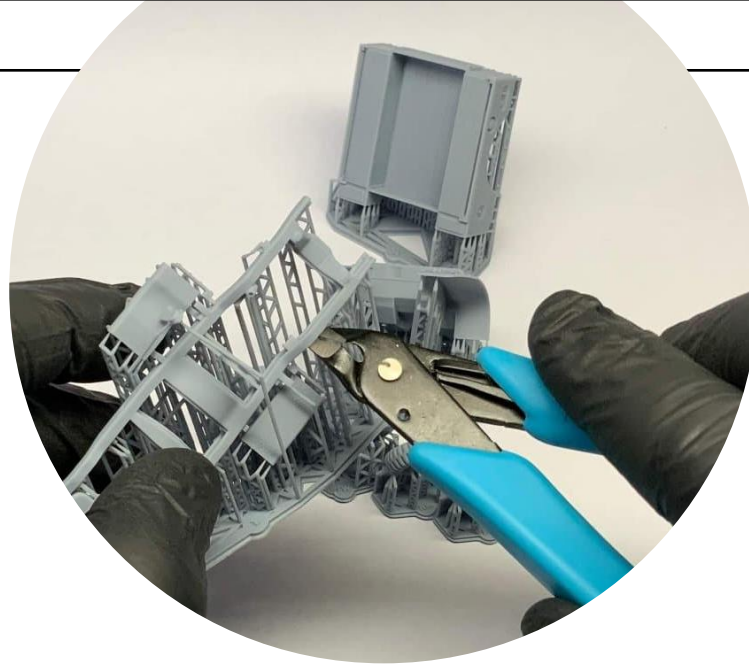
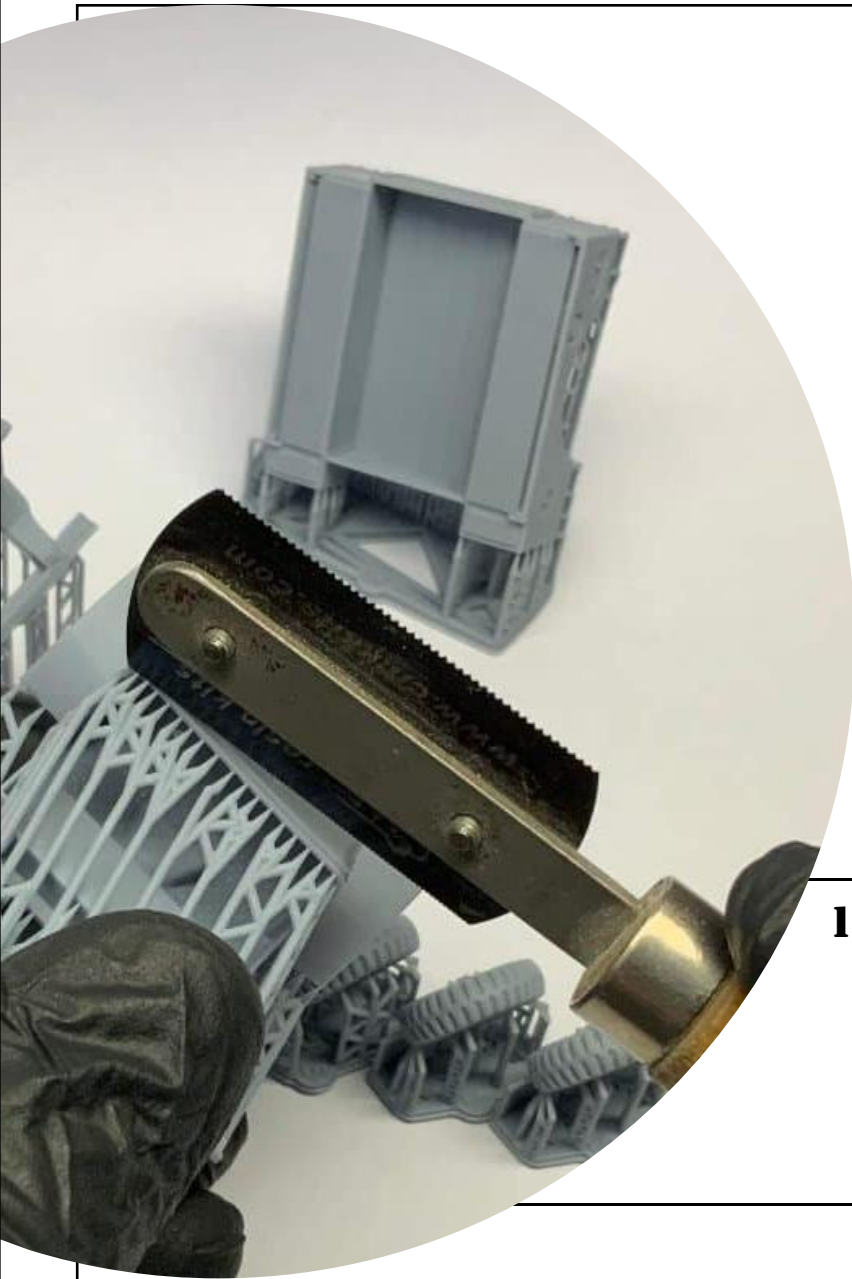


CHEVROLET WA



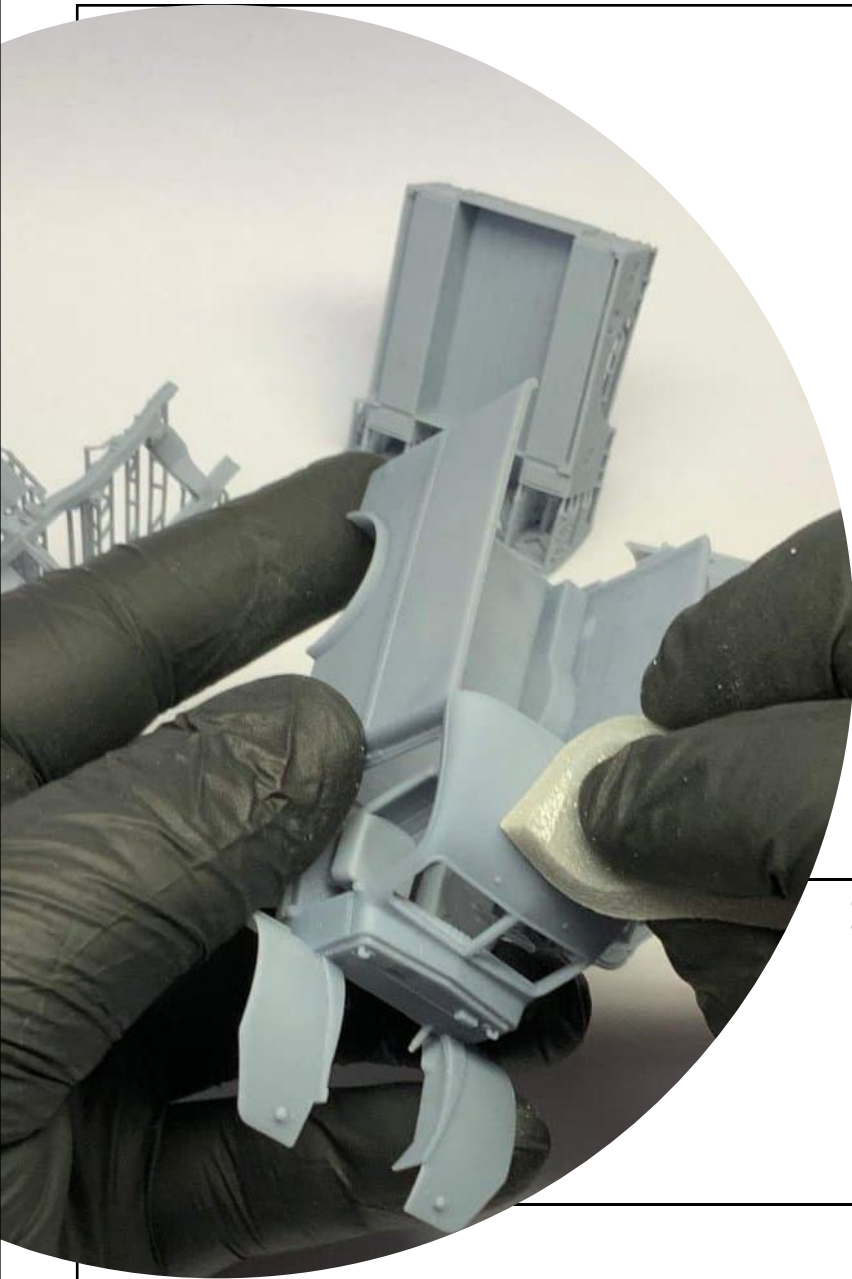
35A08 / 48A15 / 72A11



A few tips and tricks how to prepare our models

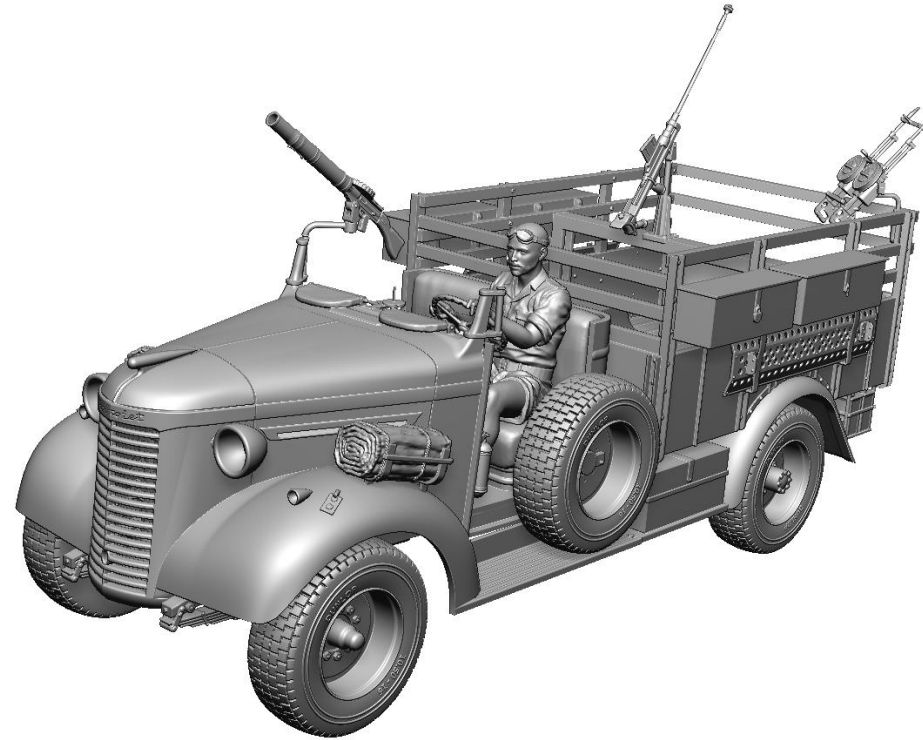
1 - CUTTING OFF PRINTING SUPPORTS ...

- MODELLING KNIFE**
- MODELLING CUTTER**
- MODELLING SAW**



2 - GRINDING AND SANDING ...

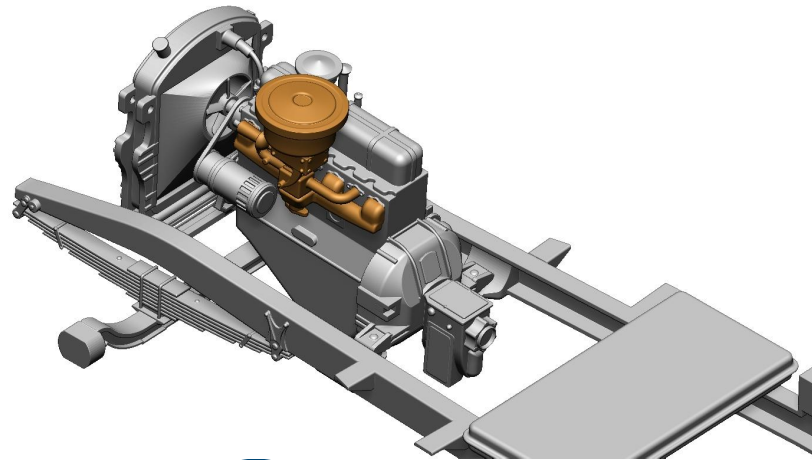
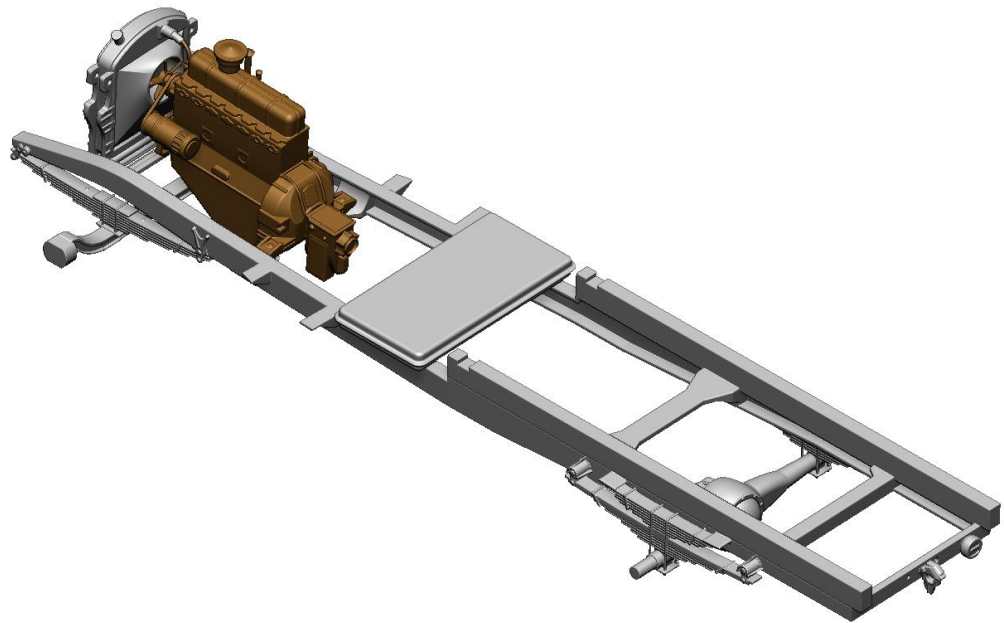
- MODELLING GRINDING WOOL**
- MODELLING SPONGE**
- MODELLING FILE**



THE BUILD

35A08
48A15
72A11

CHEVROLET WA



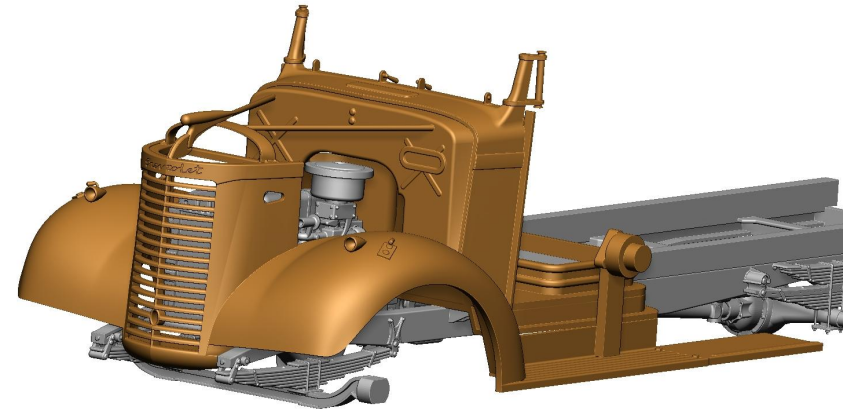
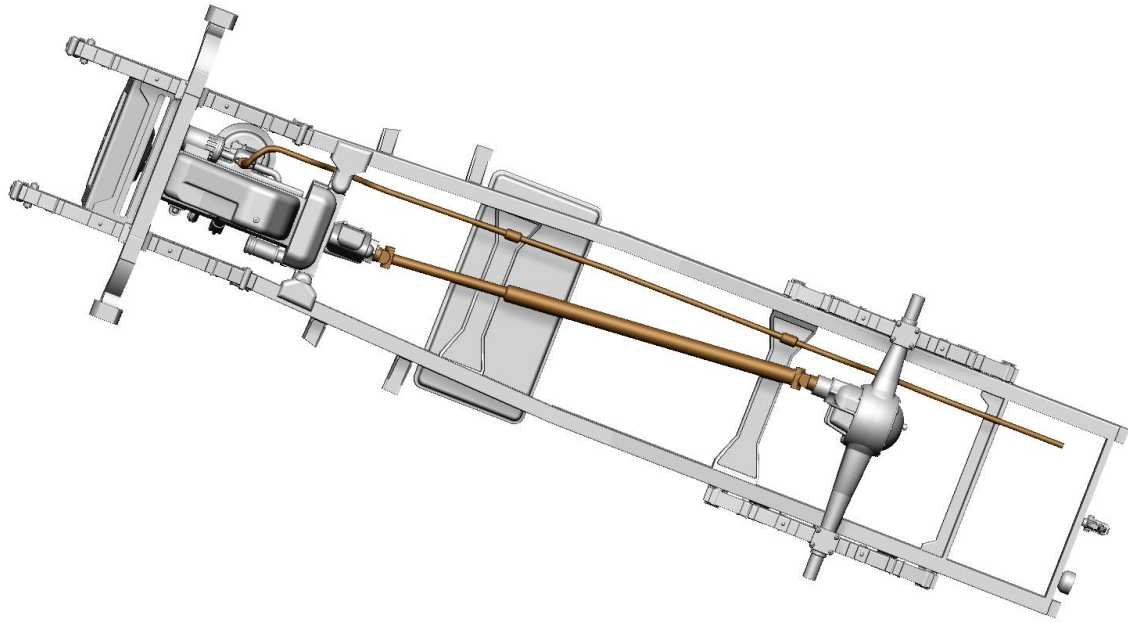
Chevrolet WA

LRDG Service

48A15

35A08





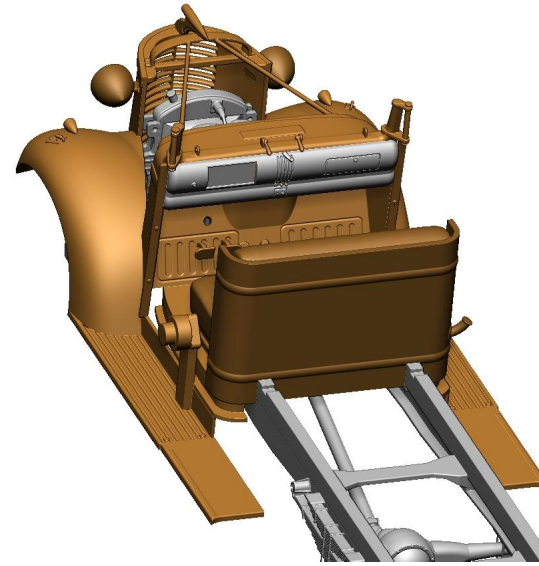
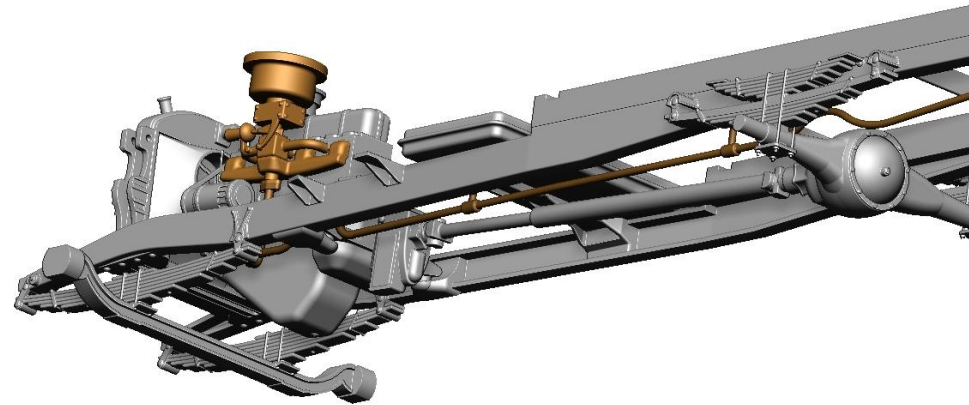
Chevrolet WA

LRDG Service

48A15

35A08



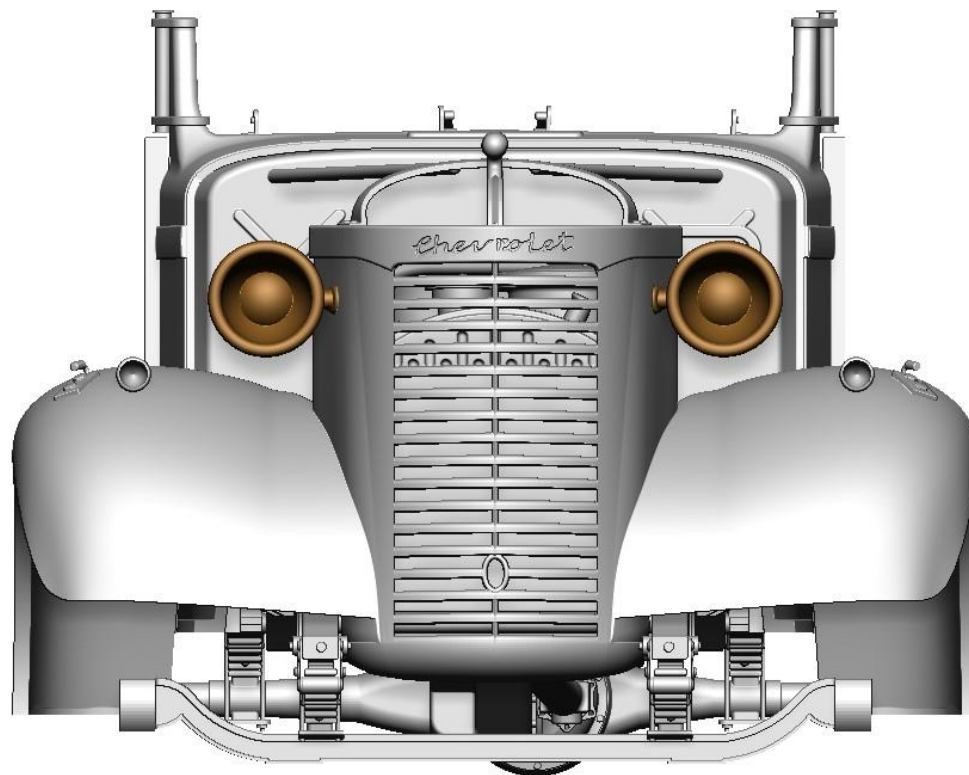
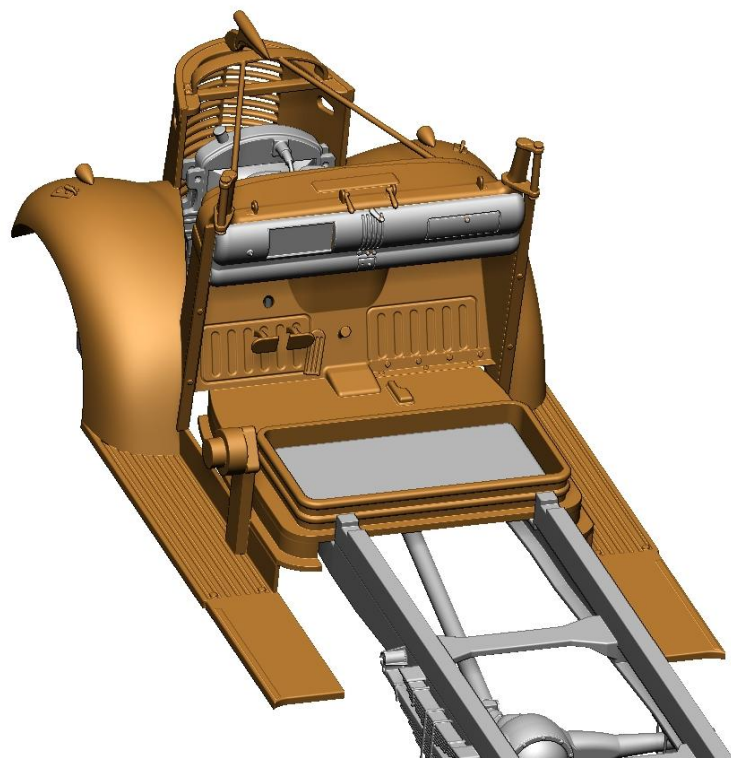


Chevrolet WA

LRDG Service

72A11





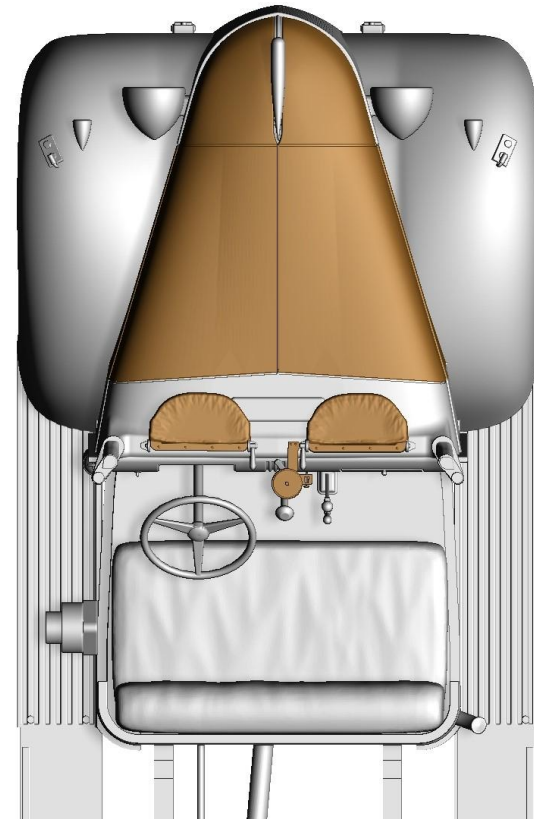
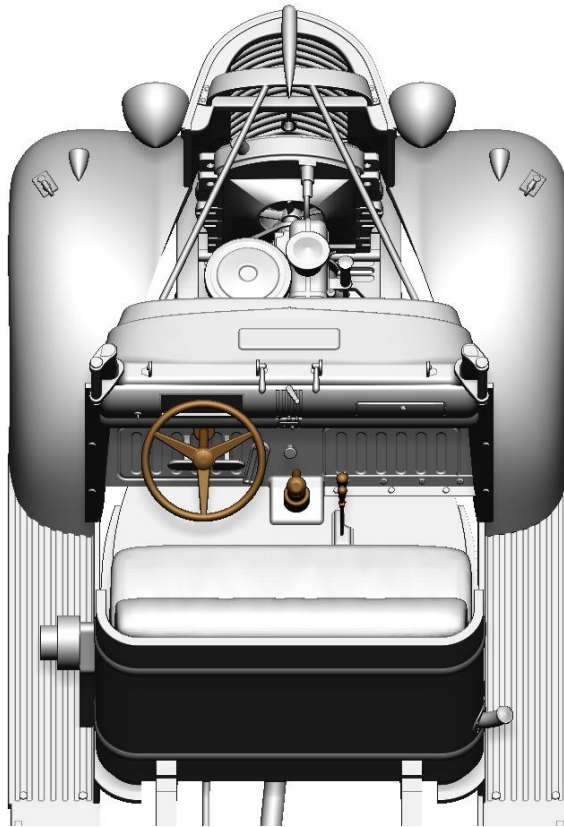
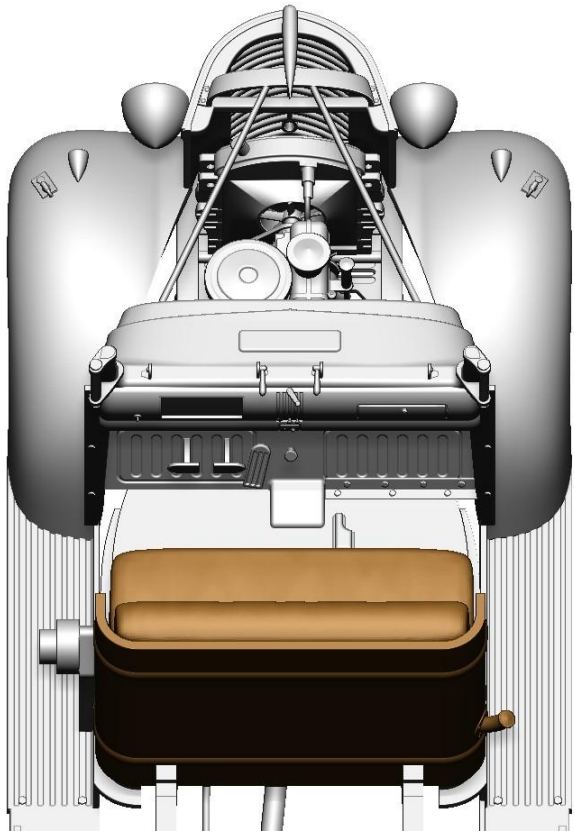
Chevrolet WA

LRDG Service

48A15

35A08





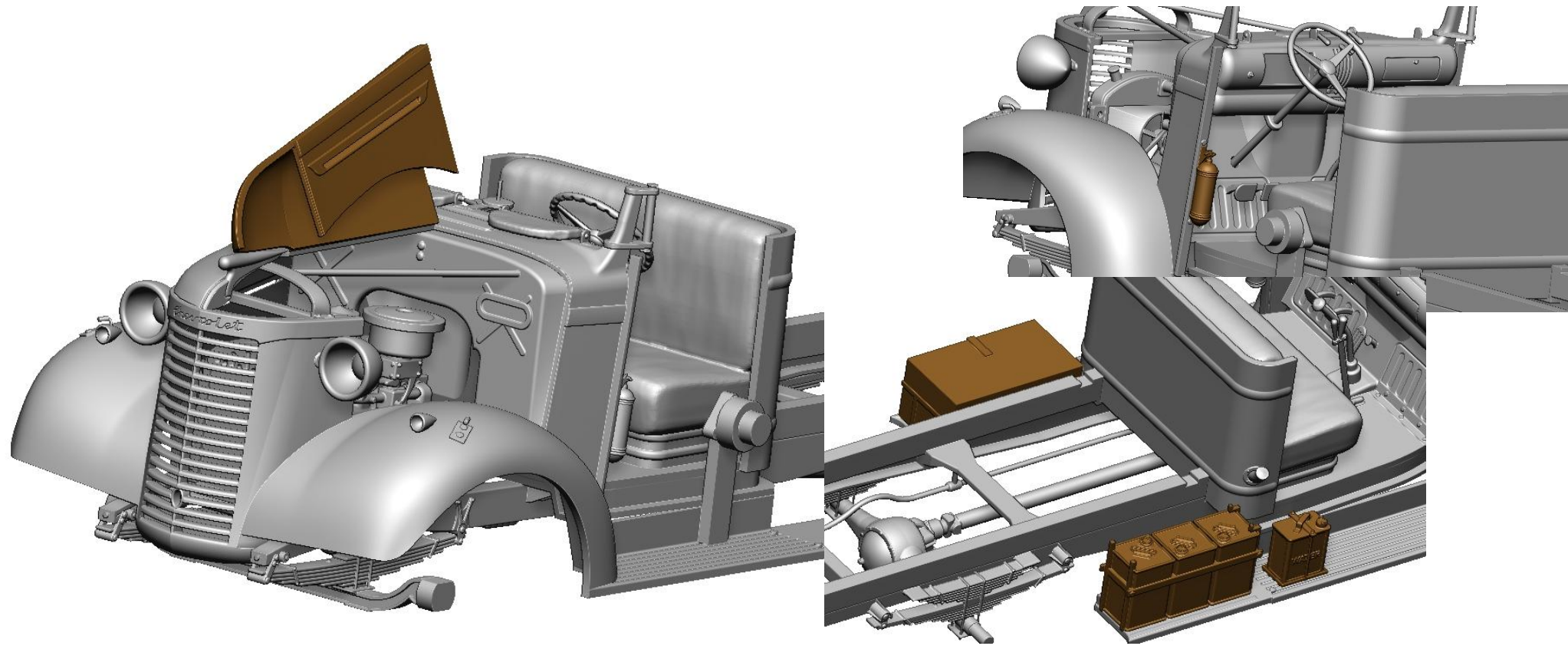
Chevrolet WA

LRDG Service

48A15

35A08





Chevrolet WA

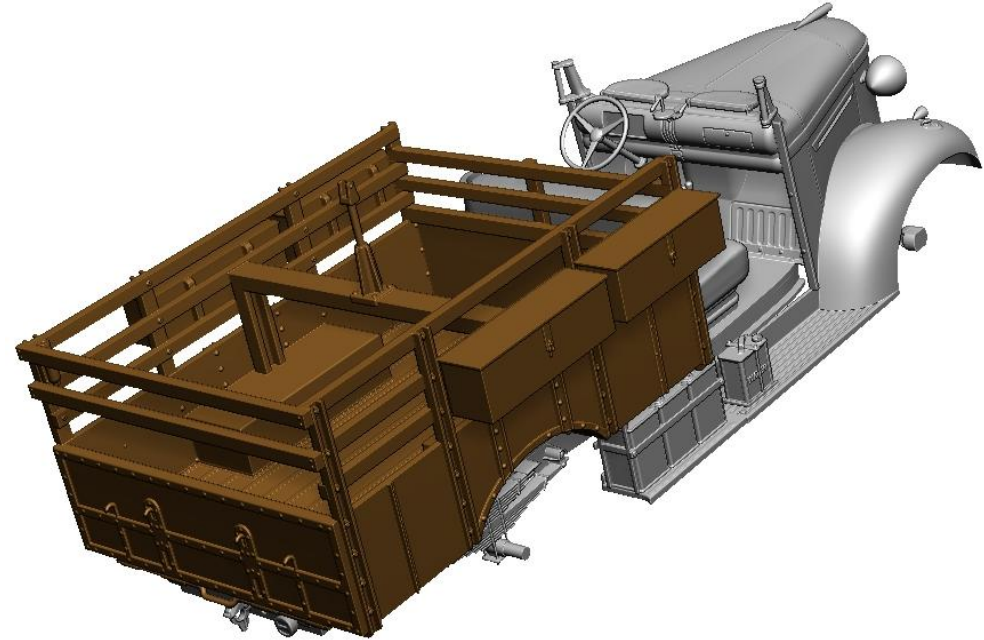
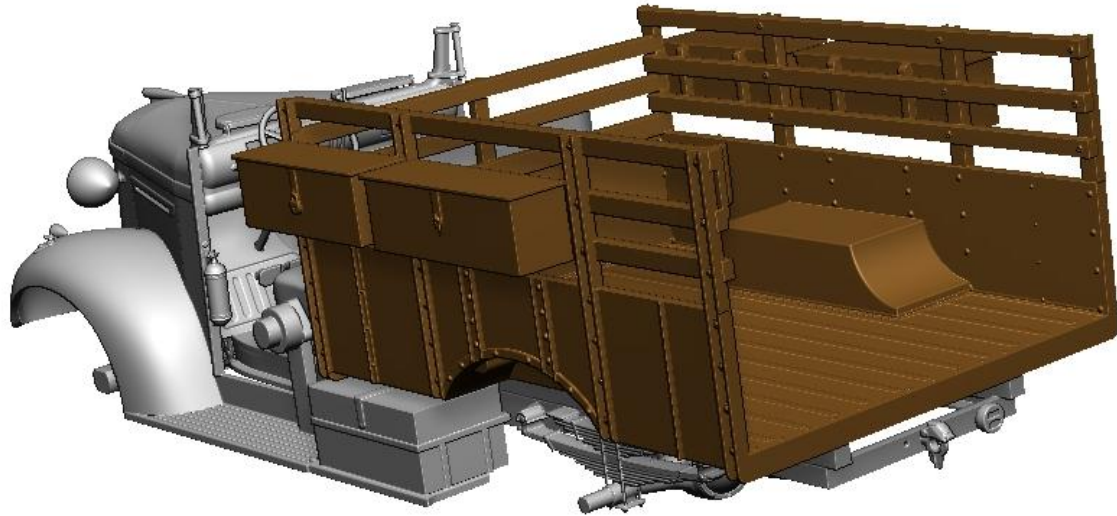
LRDG Service

48A15

35A08



72A11

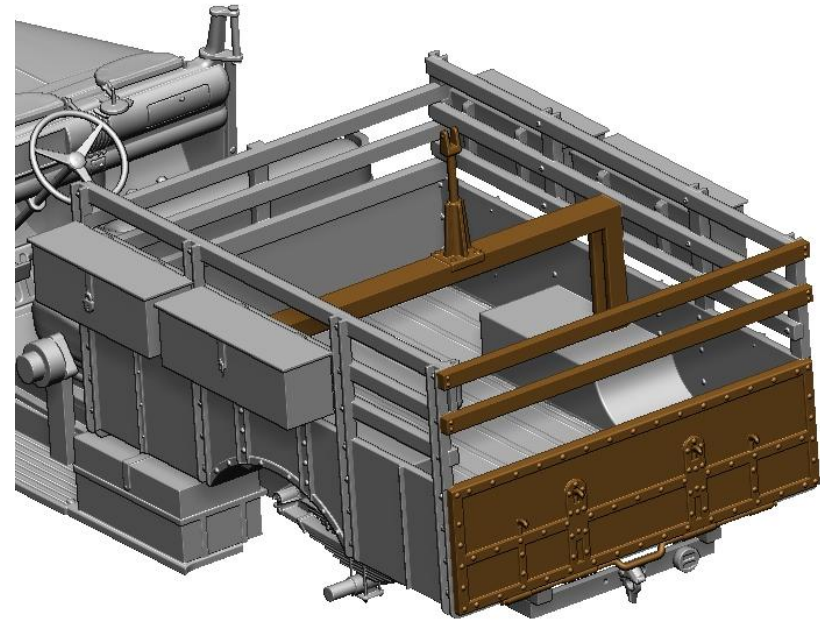
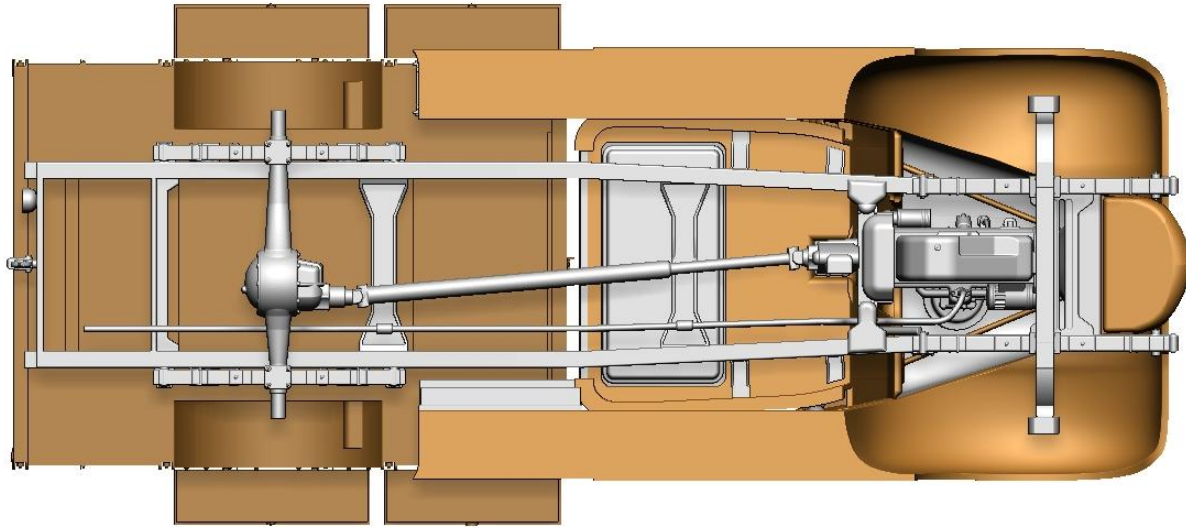


Chevrolet WA
LRDG Service

48A15

35A08





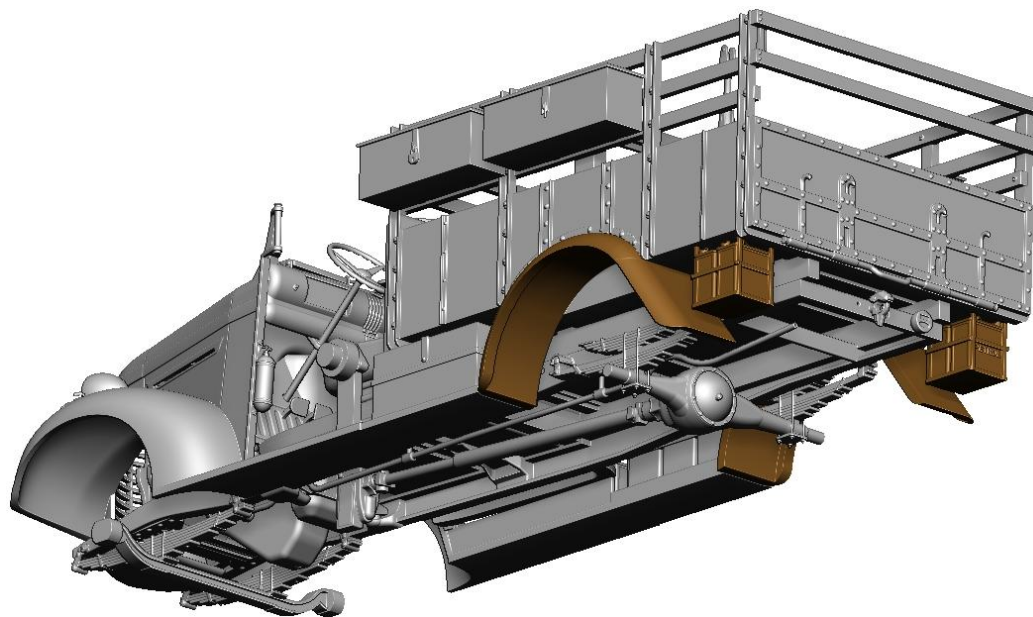
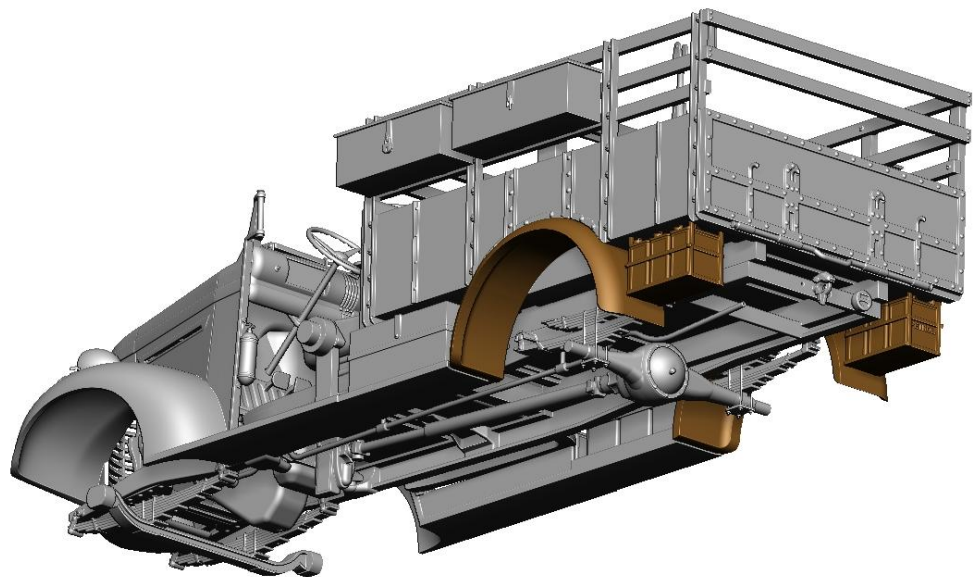
Chevrolet WA

LRDG Service

48A15

35A08





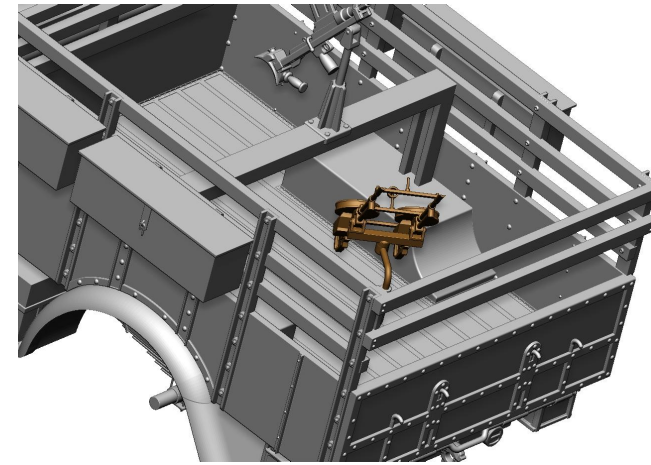
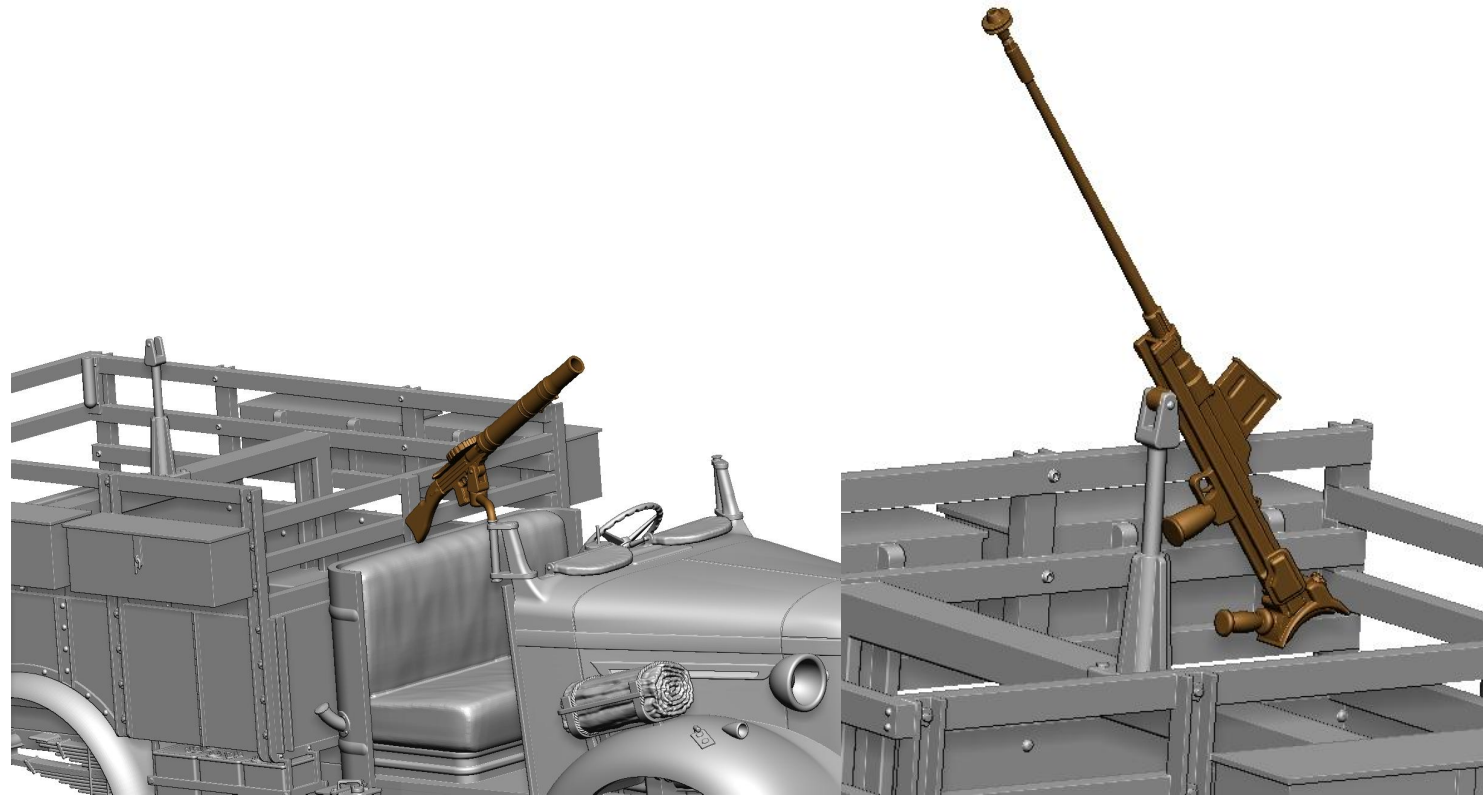
Chevrolet WA

LRDG Service

48A15

35A08



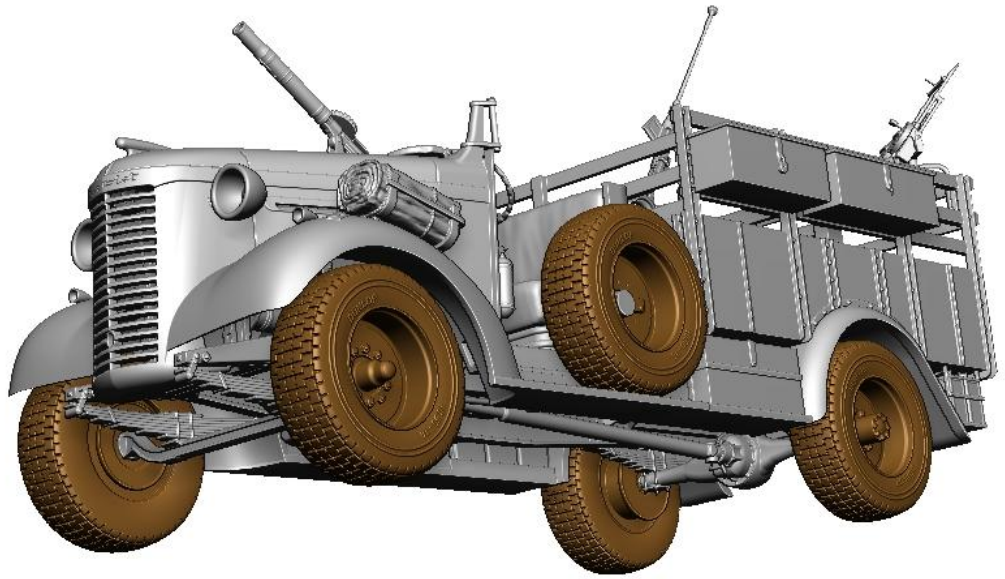


Chevrolet WA
LRDG Service

48A15

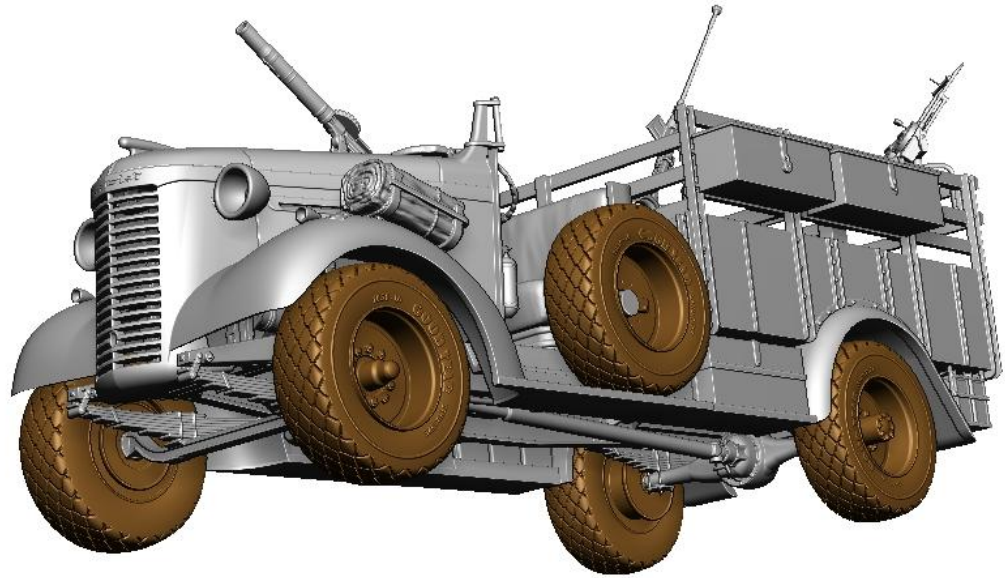
35A08





DUNLOP

GOOD YEAR

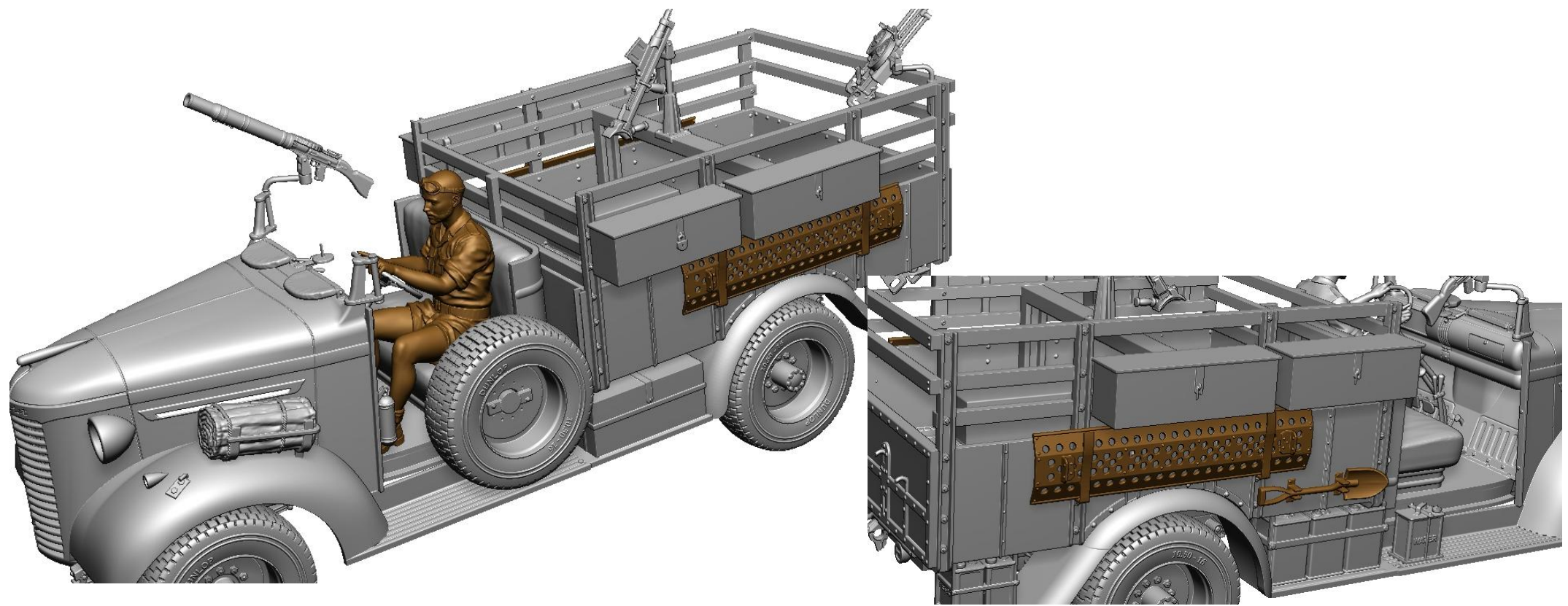


Chevrolet WA
LRDG Service

48A15

35A08





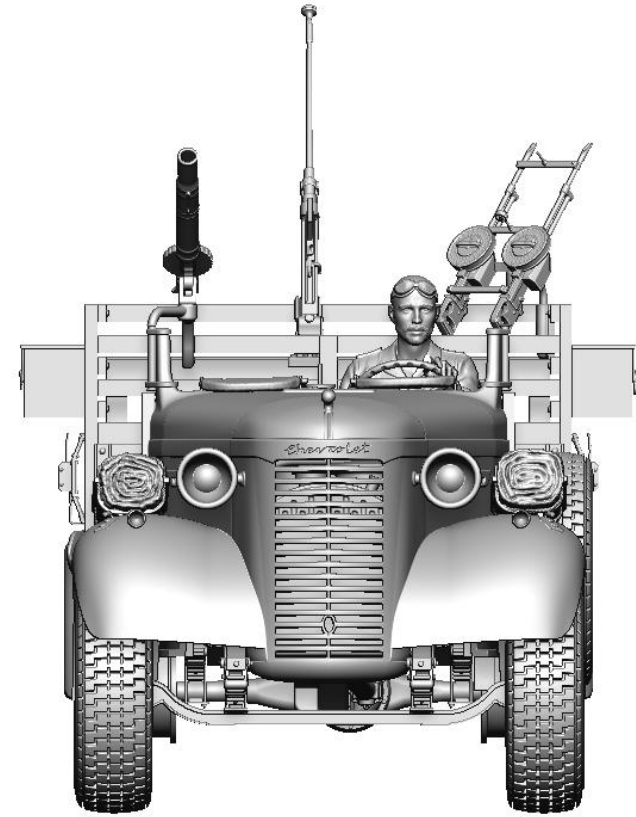
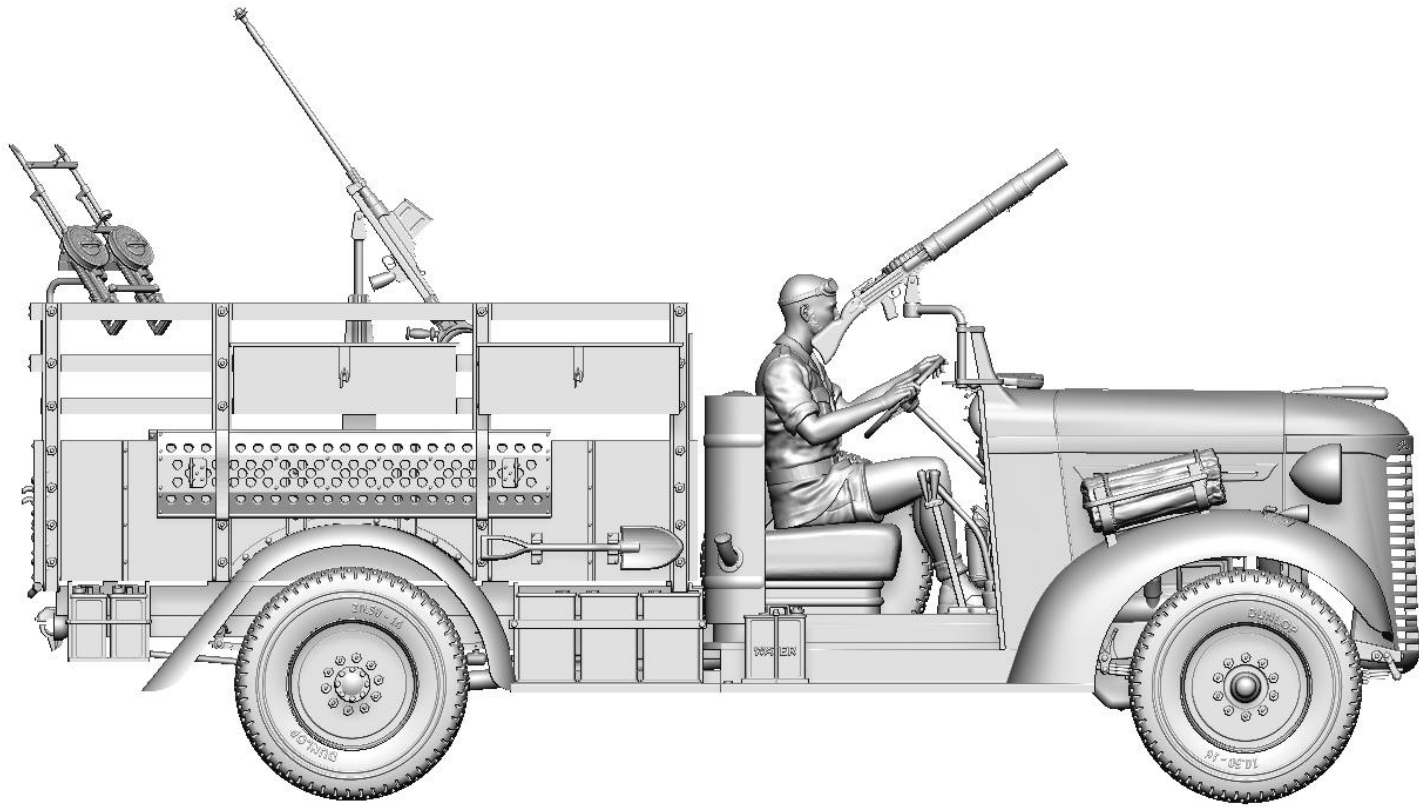
Chevrolet WA

LRDG Service

48A15

35A08





Chevrolet WA

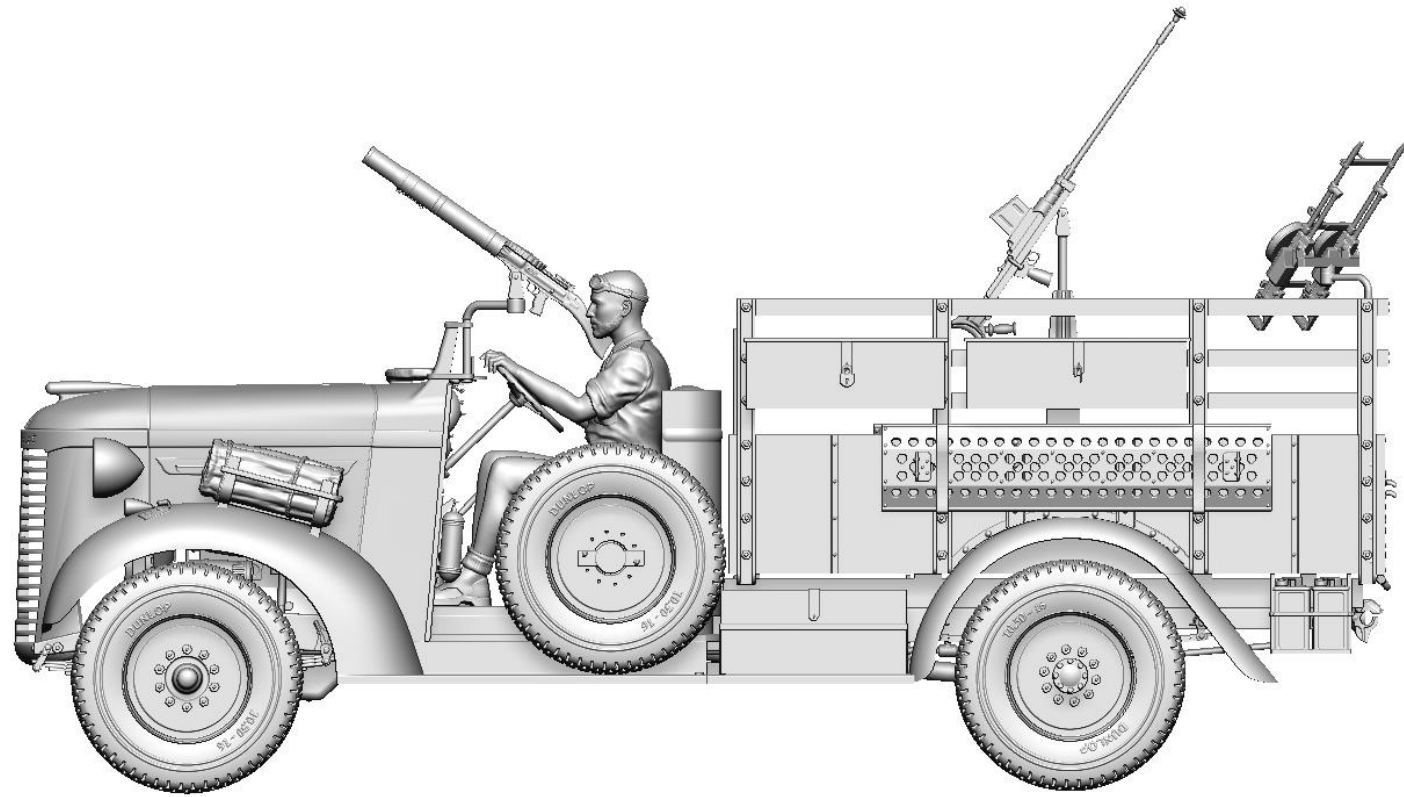
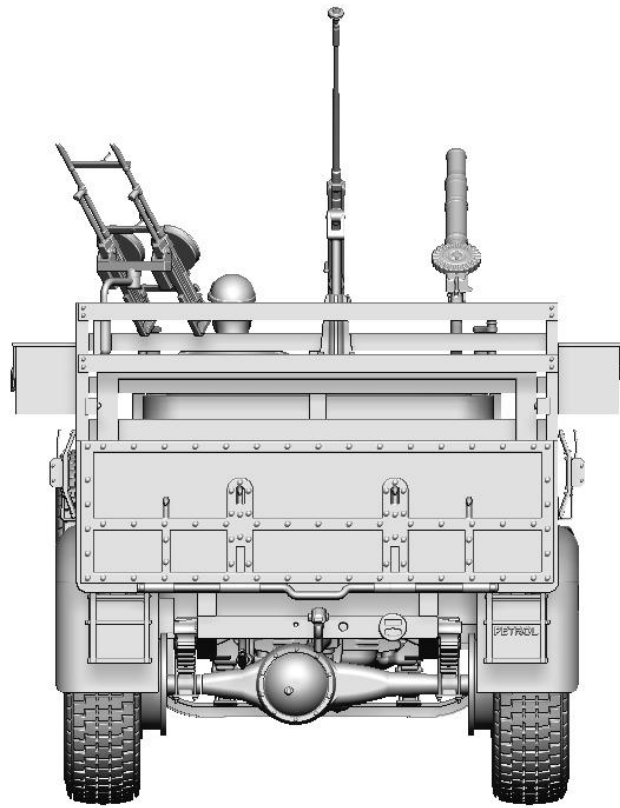
LRDG Service

35A08

48A15

72A10





Chevrolet WA

LRDG Service

35A08

48A15

72A10





Thank you for choosing our product. With each subsequent one we make every effort to make our models better and better.

Happy Modelling

Dogfight Workshop Team

www.dogfightworkshop.pl

OFFICE@DOGFIGHTWORKSHOP.PL

