

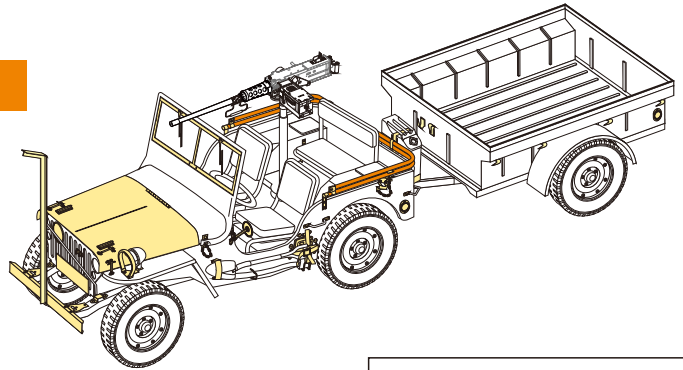
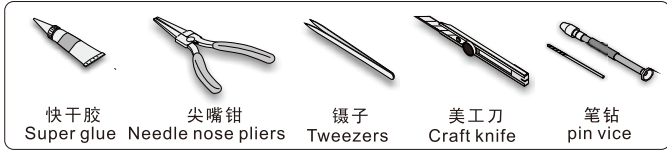
1/35 MILITARY MINIATURE VEHICLE UPGRADE SERIES PE351065

WWII U.S. Jeep Willys MB upgrade set

二战美军威力MB型吉普车改造件

[For TAKOM 2126]

推荐使用工具 RECOMMENDED TOOLS



- 安装
install
- 折叠
bend
- A1**

改造件零件编号
PE/resin part number
- B12**

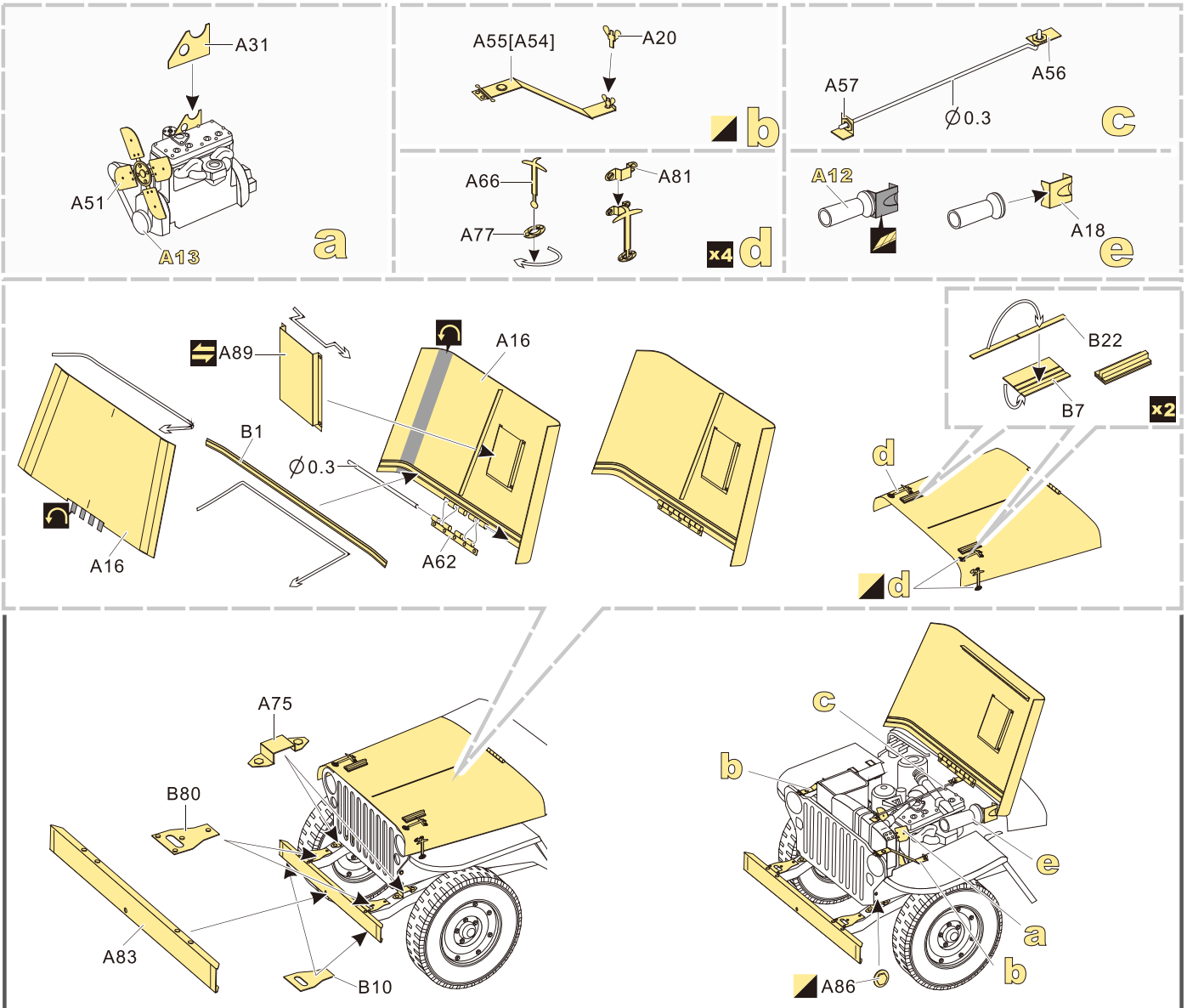
原零件编号
kit part number
- C22**

被替换的原零件编号
replaced kit part number
- 另一侧相同制作
repeat on opposite side
- 切除
remove
- 打磨
grind off
- 弧度卷曲
radial bending
- x2**

制作若干组
multiple assembly
- 选择安装
alternative
- 用铜管制作
make from brass tube

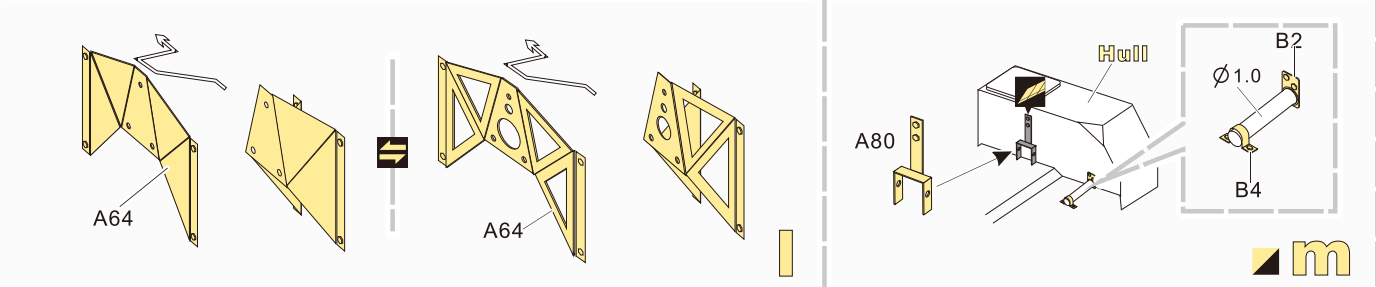
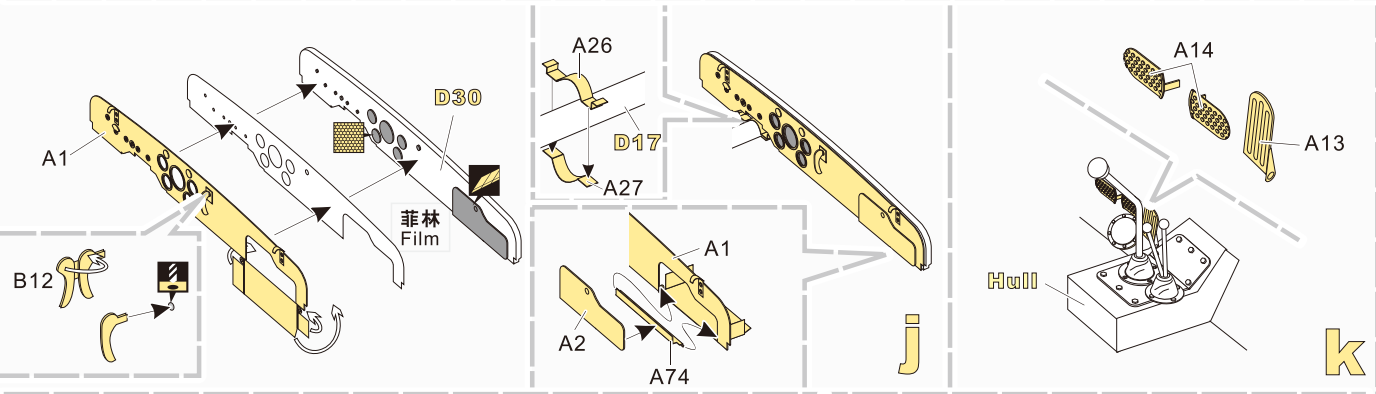
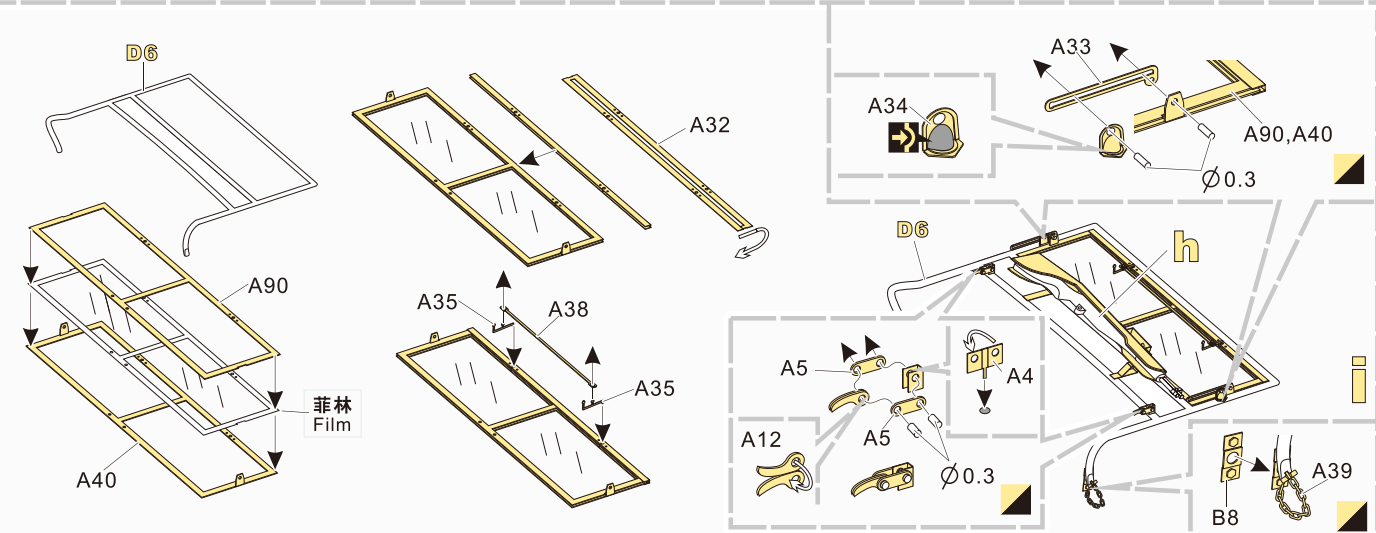
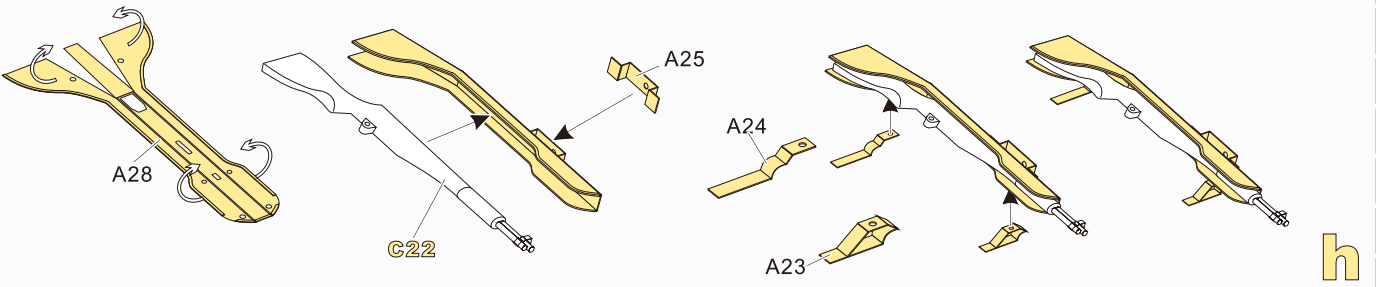
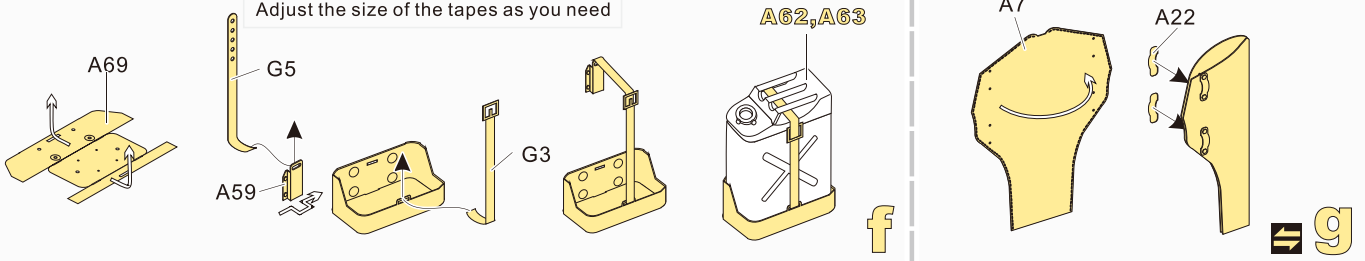
用尖端在凹槽处冲压
use penpoint to press on the dent

蚀刻片零件内侧面向上
Put the part upside down
用笔尖在凹槽处刺
Use penpoint to press on the dent

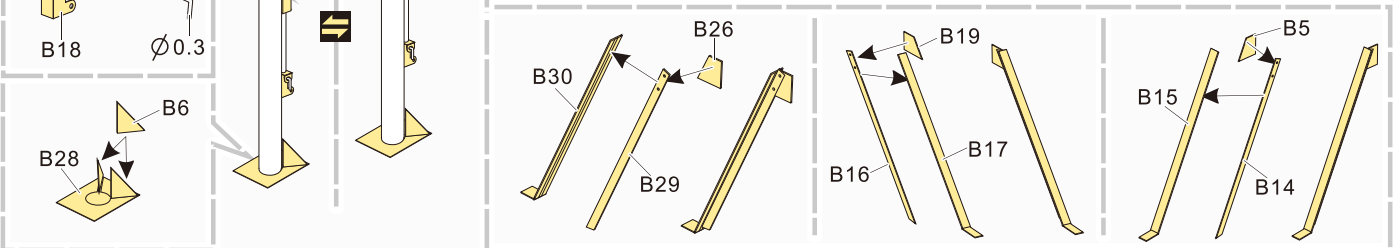
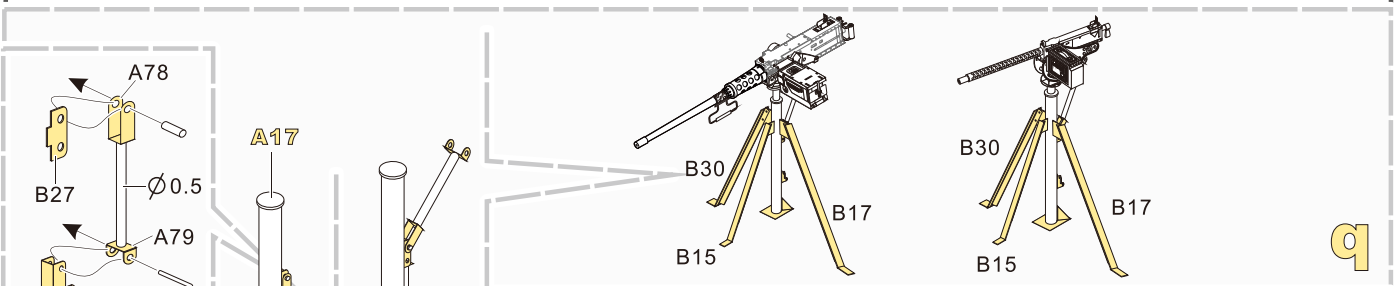
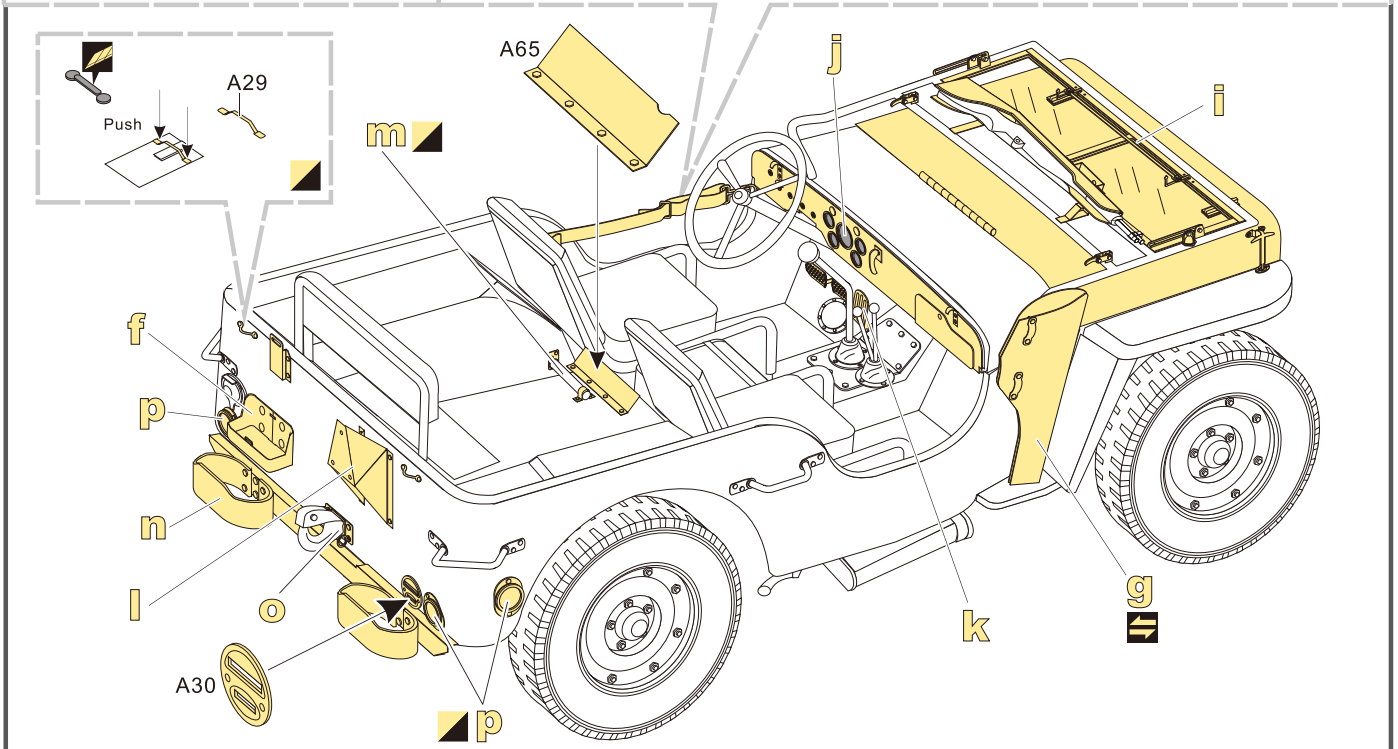
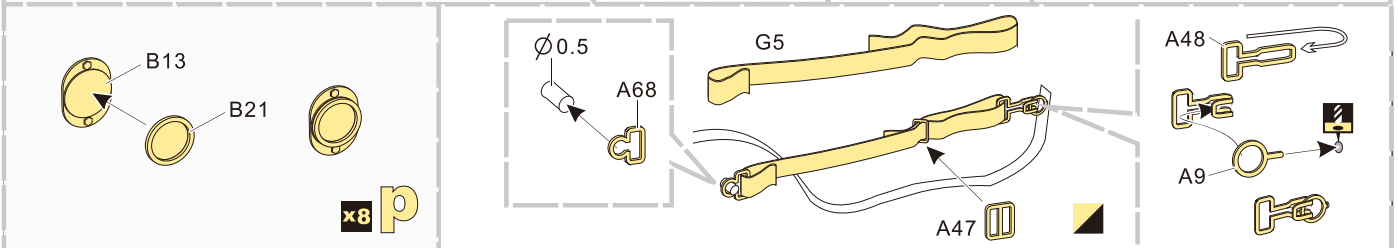
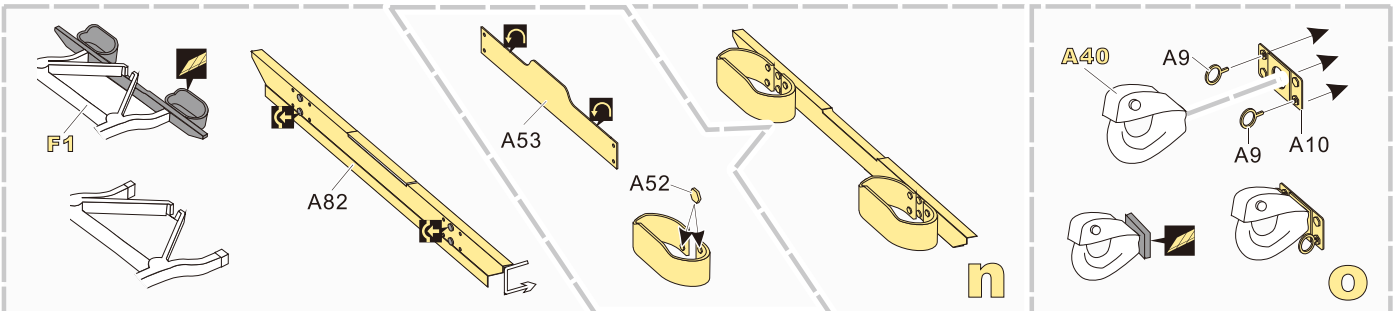


1/35 MILITARY MINIATURE VEHICLE UPGRADE SERIES PE351065

根据需要调整箱带长度以及松紧
Adjust the size of the tapes as you need



1/35 MILITARY MINIATURE VEHICLE UPGRADE SERIES PE351065



1/35 MILITARY MINIATURE VEHICLE UPGRADE SERIES PE351065



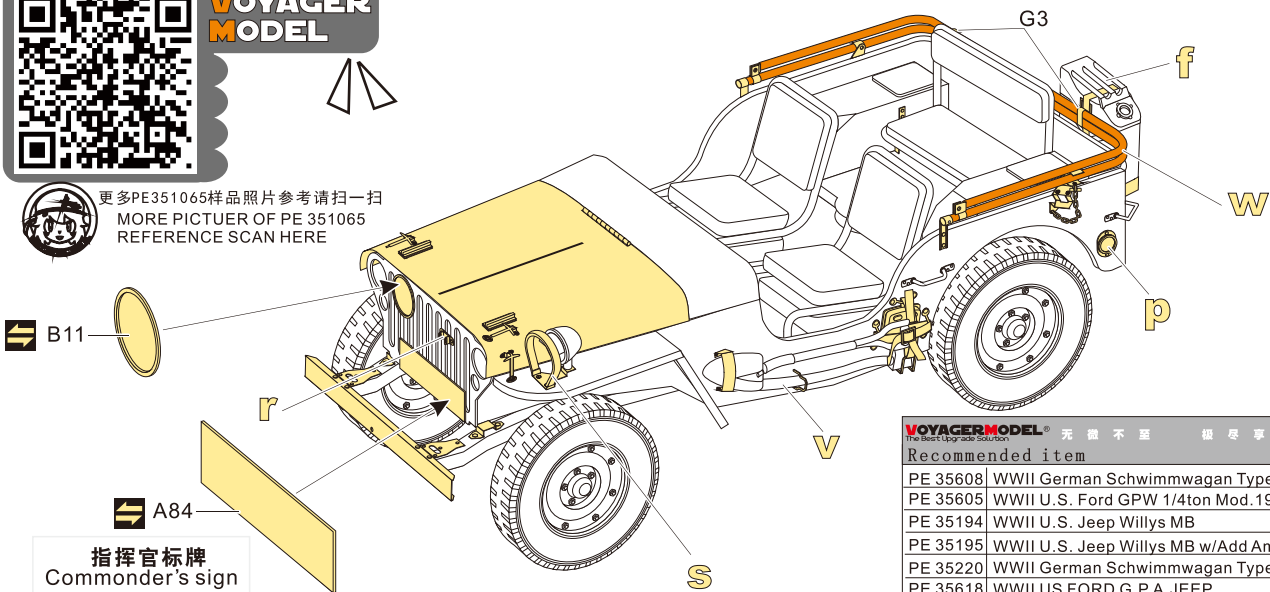
[Http://www.voyagermodel.com/productdetails.asp?itemid=PE351065](http://www.voyagermodel.com/productdetails.asp?itemid=PE351065)



**VOYAGER
MODEL**



更多PE351065样品照片参考请扫一扫
MORE PICTUER OF PE 351065
REFERENCE SCAN HERE



VOYAGERMODEL® 无微不至 极尽享受
The Best Upgrade Solution

| Recommended item | |
|------------------|---|
| PE 35608 | WWII German Schwimmwagen Type 128 |
| PE 35605 | WWII U.S. Ford GPW 1/4ton Mod.1942 |
| PE 35194 | WWII U.S. Jeep Willys MB |
| PE 35195 | WWII U.S. Jeep Willys MB w/Add Amour |
| PE 35220 | WWII German Schwimmwagen Type 166 |
| PE 35618 | WWII US FORD G.P.A. JEEP |
| PE 35465 | WWII U.S. GMC 2.5ton 6X6 Cargo Truck |
| PEA 185 | WWII U.S. Jeep Willys MB snow plow w/ tyre chains |
| PEA 187 | WWII U.S. Jeep Willys MB tyre chains |

1/35 MILITARY MINIATURE VEHICLE UPGRADE SERIES PE351065

