

1/35 SCALE
5043
Military Miniature Series



Panzer IV Ausf. J Sd.Kfz.161/2

w/Full Interior & Clear Parts & Workable Track Links

ドイツIV戦車J型最終期型 w/フルインテリア & 連結組立可動式履帯
德国4号坦克J型最后期型 全内构版含透明壳体和活动履带

ASSEMBLY ICONS



OPTIONAL
选择



CEMENT
膠水



DO NOT CEMENT
不使用膠水



INSTANT CEMENT
瞬間接著劑



BEND
彎折



MAKE 2
製作2組



OPEN HOLE
鑽孔



REMOVE
切除



BE CAREFUL
注意



APPLY DECAL
貼上水貼紙

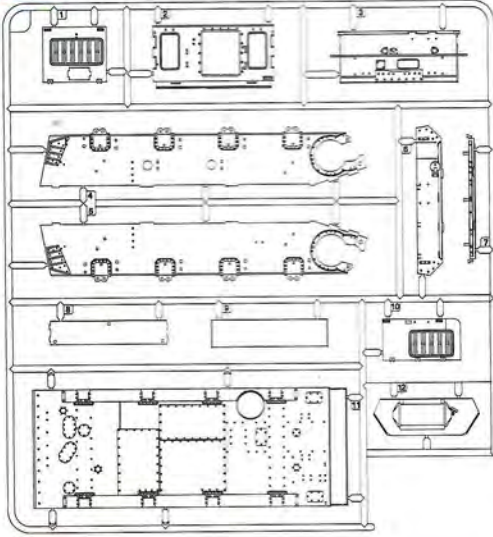
CAUTION!

Read carefully and fully understand the instructions before commencing assembly.
Supervising adult should also read the instructions if a child assembles the model.
When you used glue or paint, do not use near a naked flame, and use in a well-ventilated room.
When assembling this kit, tools including knives are used. Extra care should be taken to avoid personal injury.
Read and follow the instructions supplied with paints and/or cement. Use plastic cement and paints only.
Keep out of reach of small children. Children must not be allowed to suck any part, or pull vinyl bag over the head.

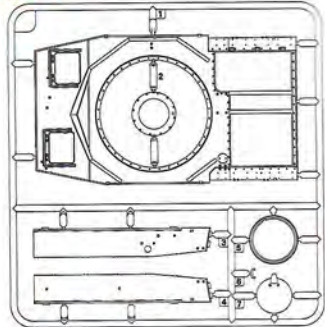
在裝配前仔細閱讀說明並完全理解。小孩裝配時需成人看護且需仔細閱讀說明。
使用膠水和油漆時，應遠離火源並打開窗戶保持空氣流通。
製作時請格外注意工具刀和零件的鋒利尖銳部分，避免對身體造成傷害。
在使用膠水和油漆前仔細閱讀注意事項，按照說明正確使用膠水和油漆。
請將本品放在兒童接觸不到的地方，套件中的塑膠包裝袋會對兒童造成窒息的危險。

PARTS · 部品图

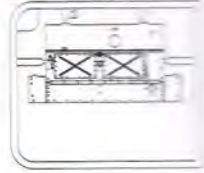
A x1



B x1



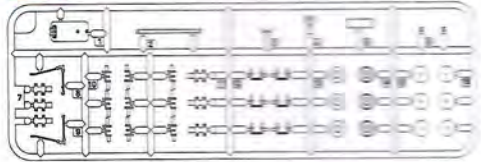
N x1



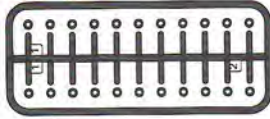
Turret



D x2



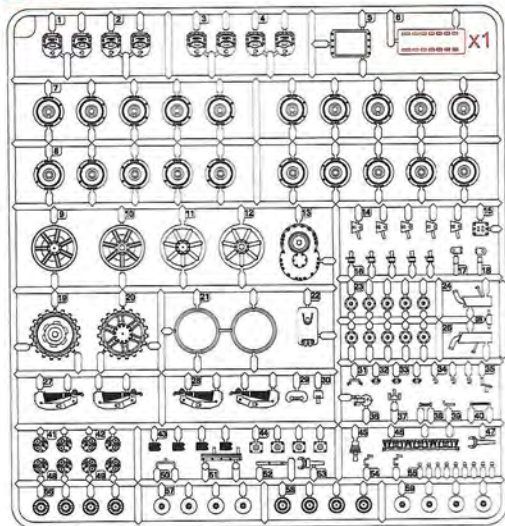
Poly Cap



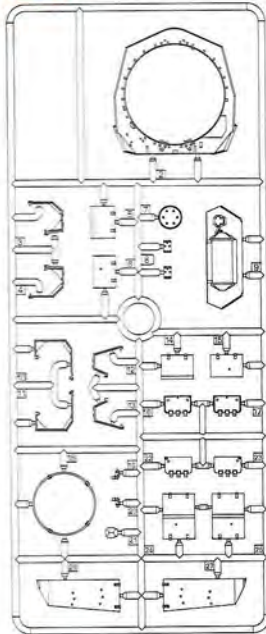
R x1



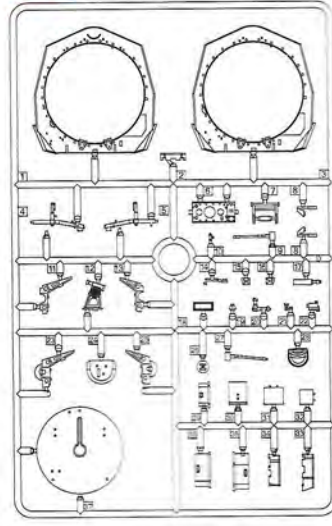
C x2



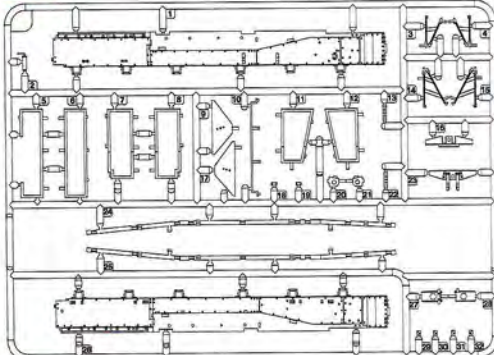
E x1



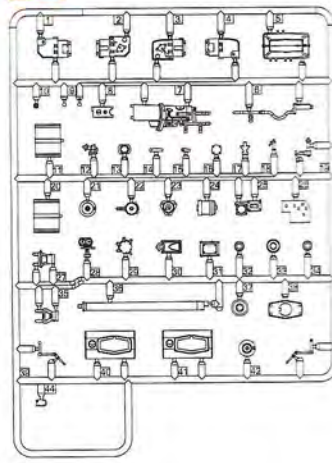
F x1



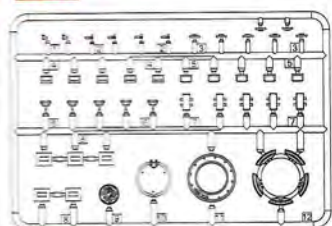
G x1



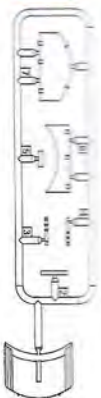
H x1



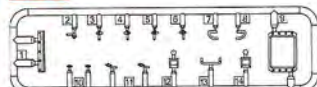
J1 x1



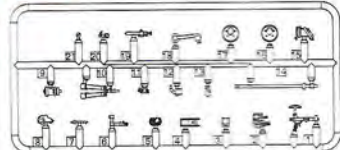
J4 x1



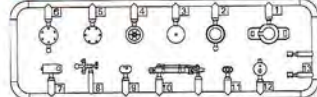
M x1



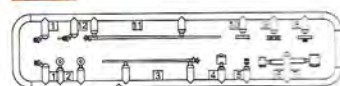
S x1



P x1

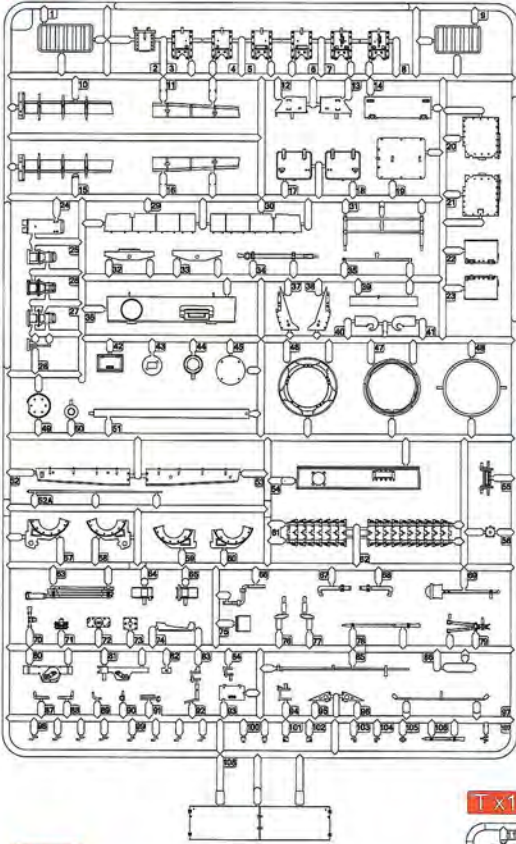


U1 x1

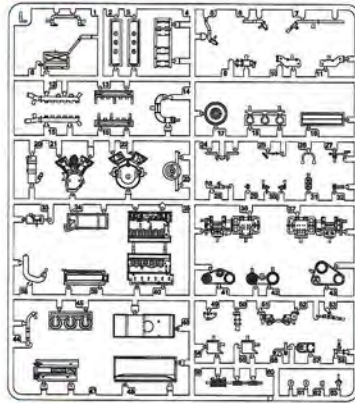


PARTS · 部品图

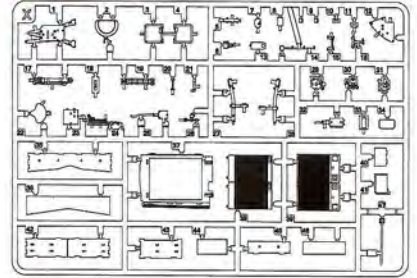
K x1



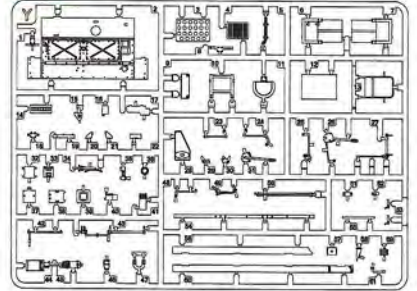
L x1



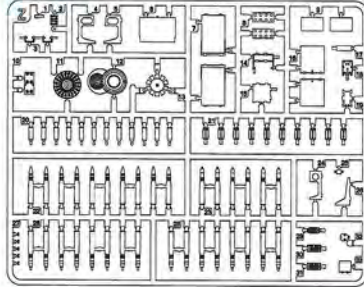
X x1



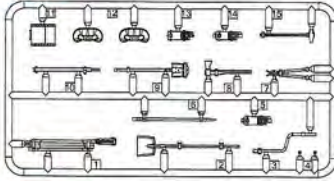
Y x1



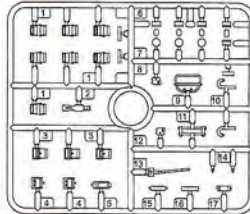
Z x2



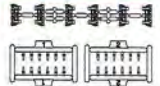
T x1



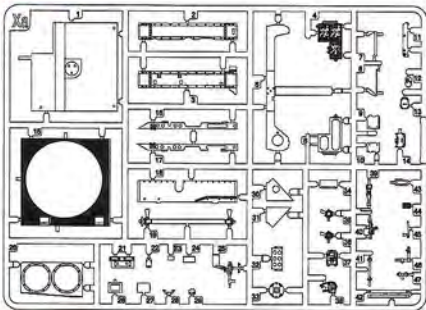
W x1



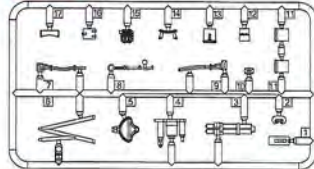
Tracks x 204



Xa x1



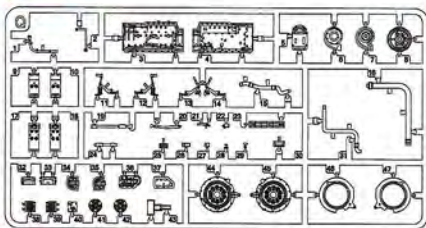
V x1



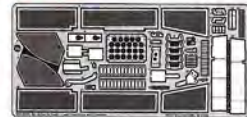
Decal



Q x1



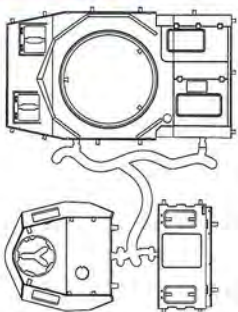
Ya x1

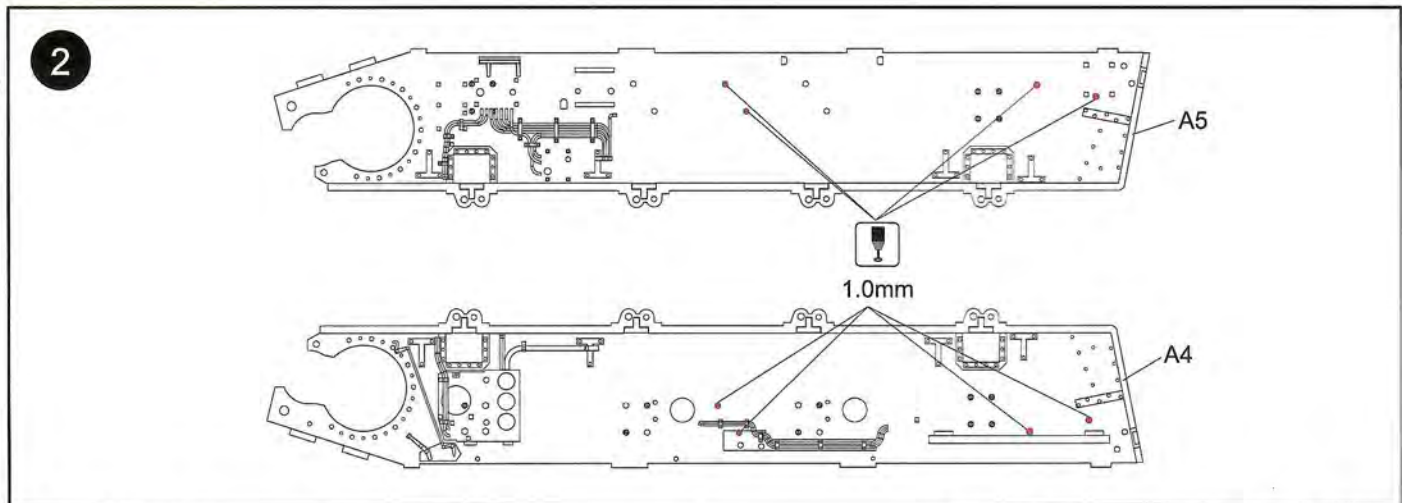
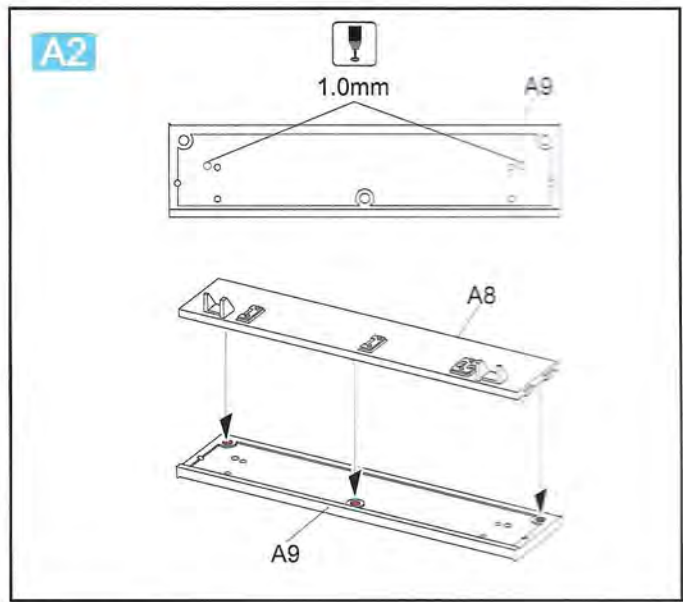
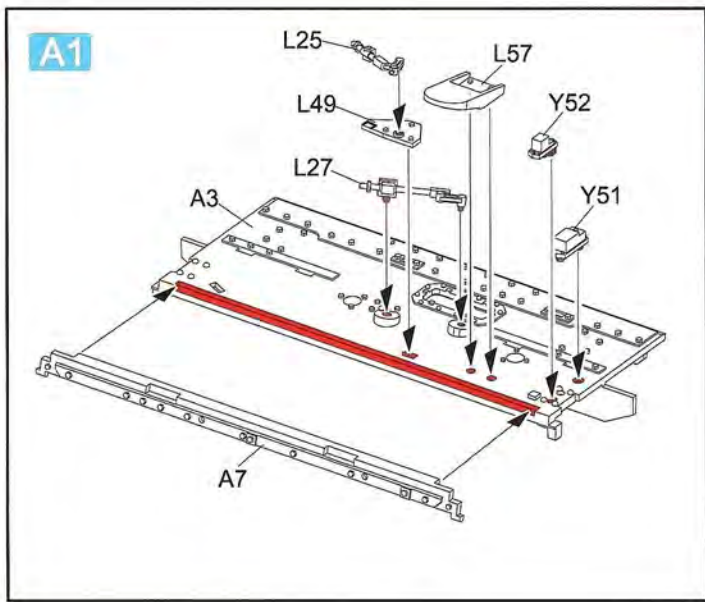
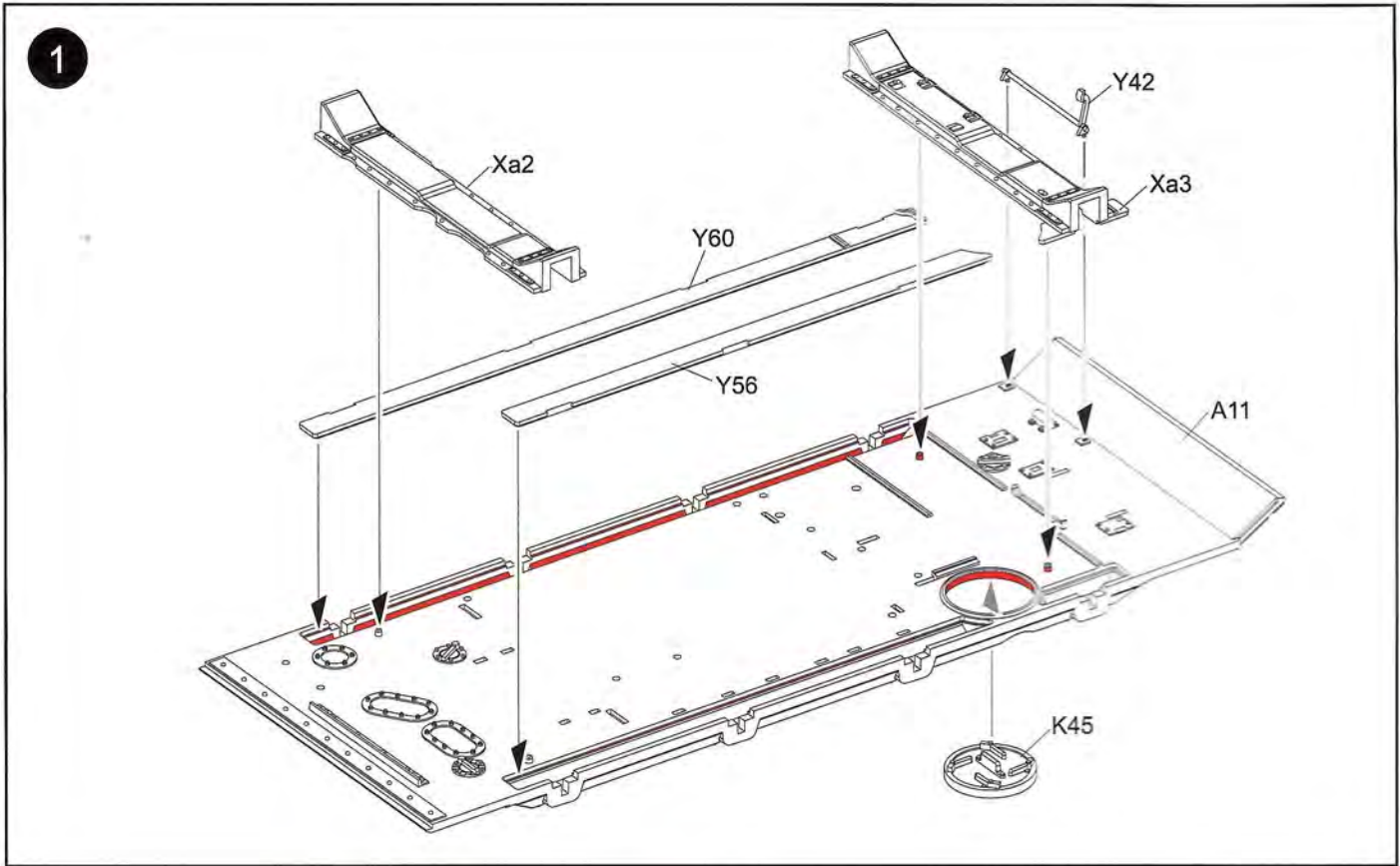


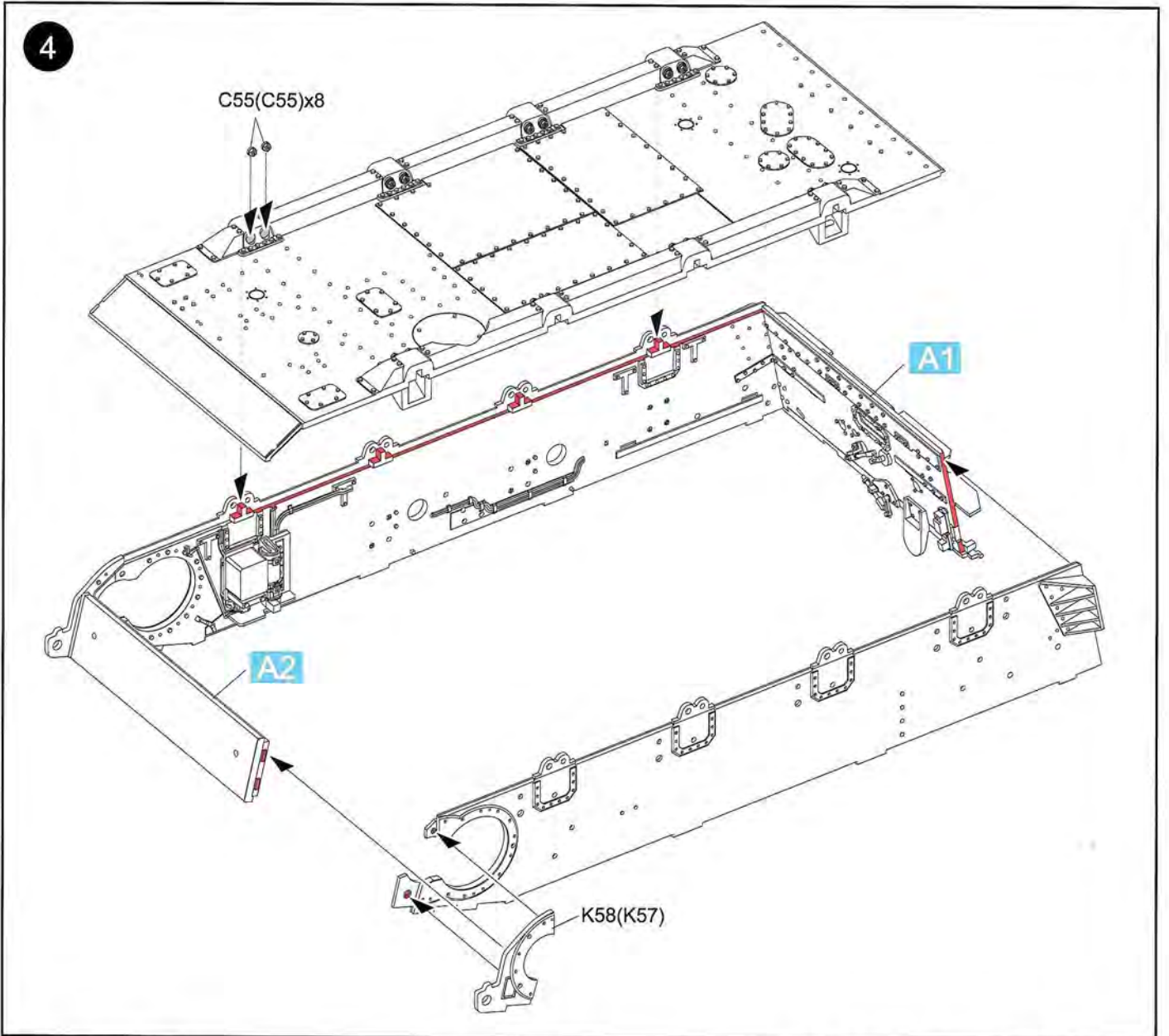
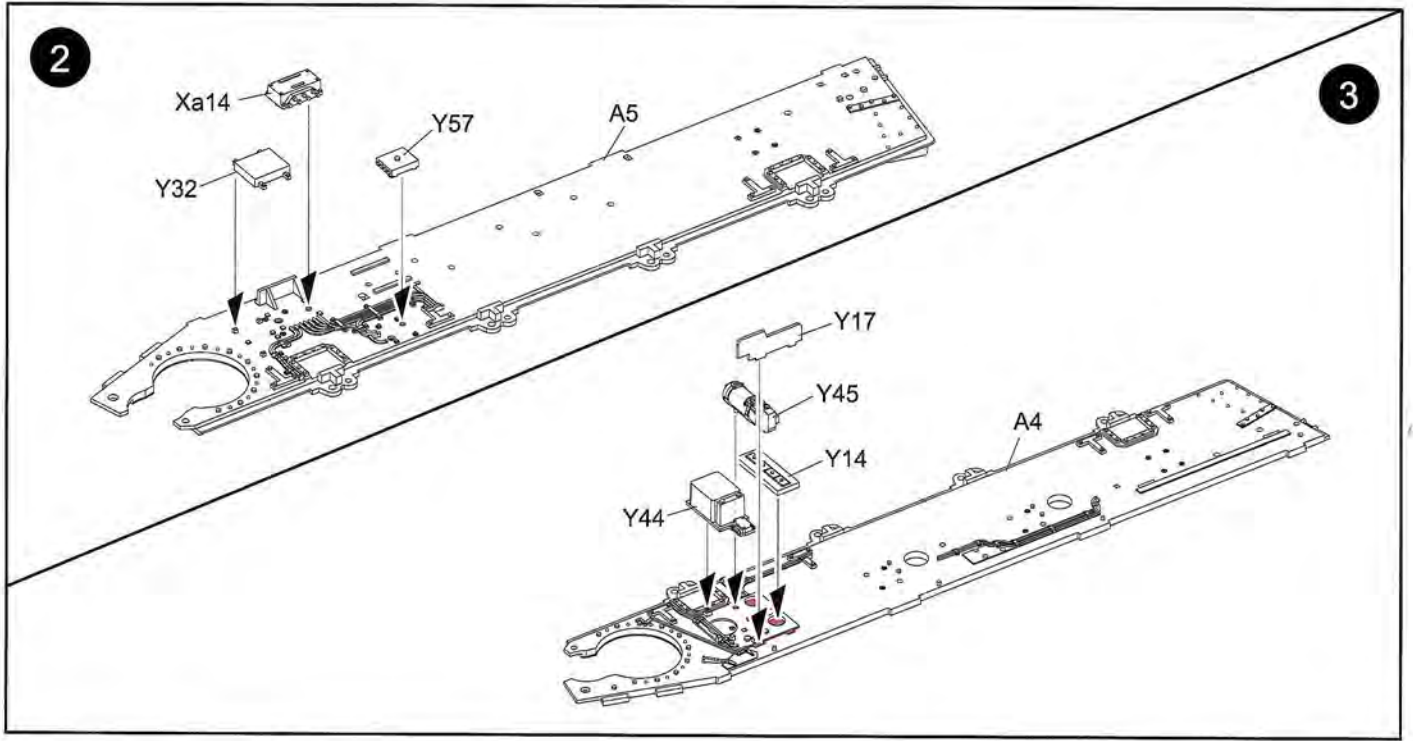
Yb x1

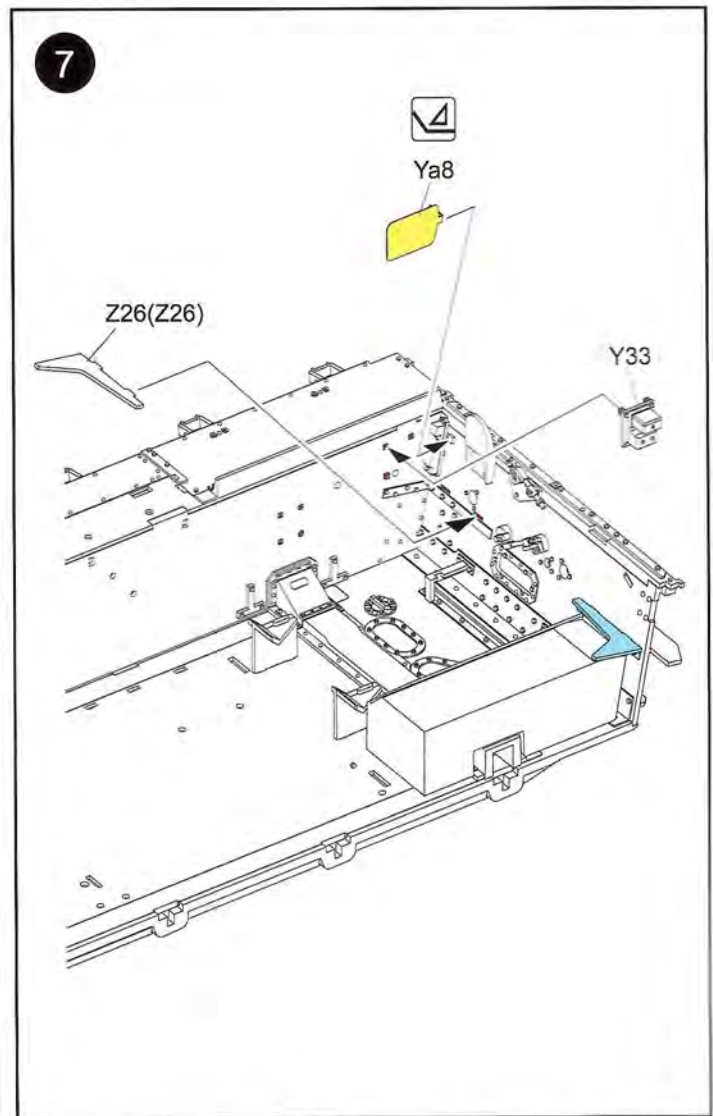
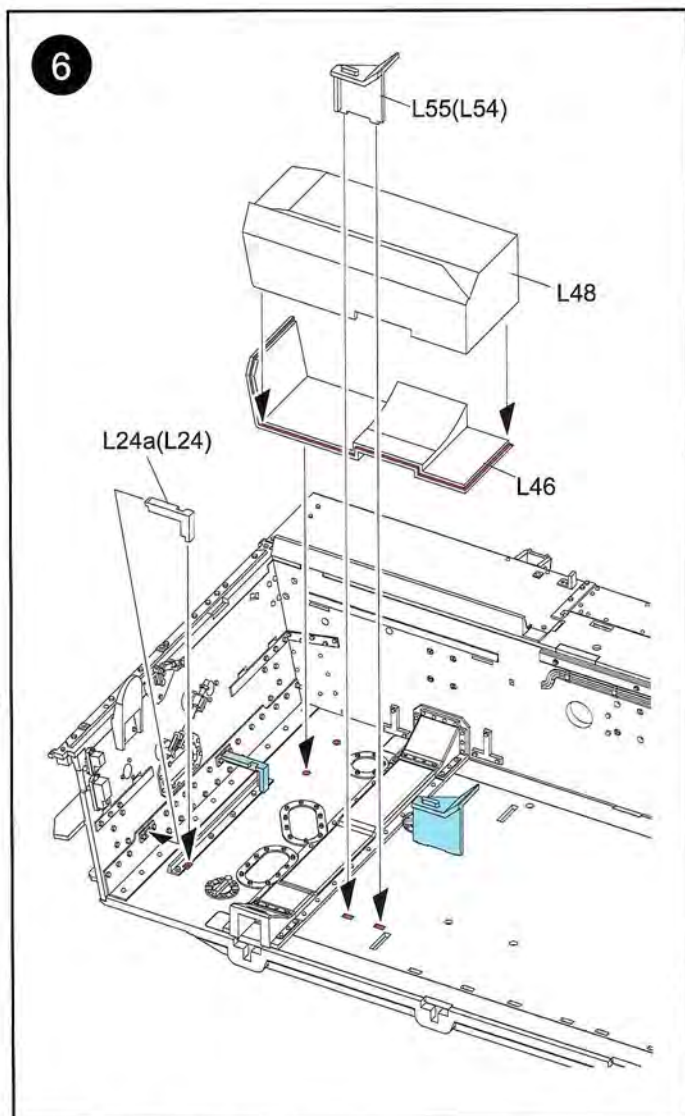
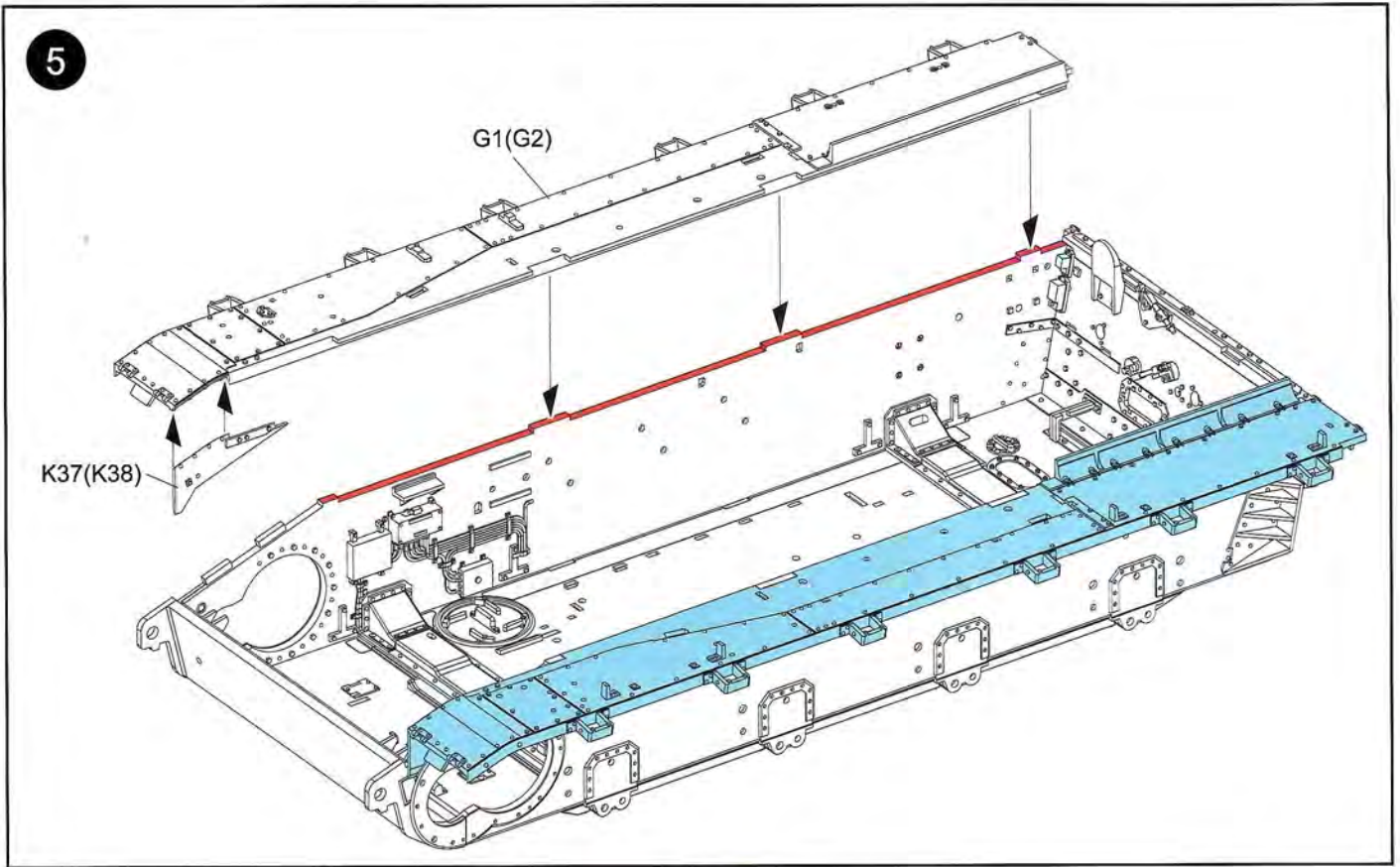


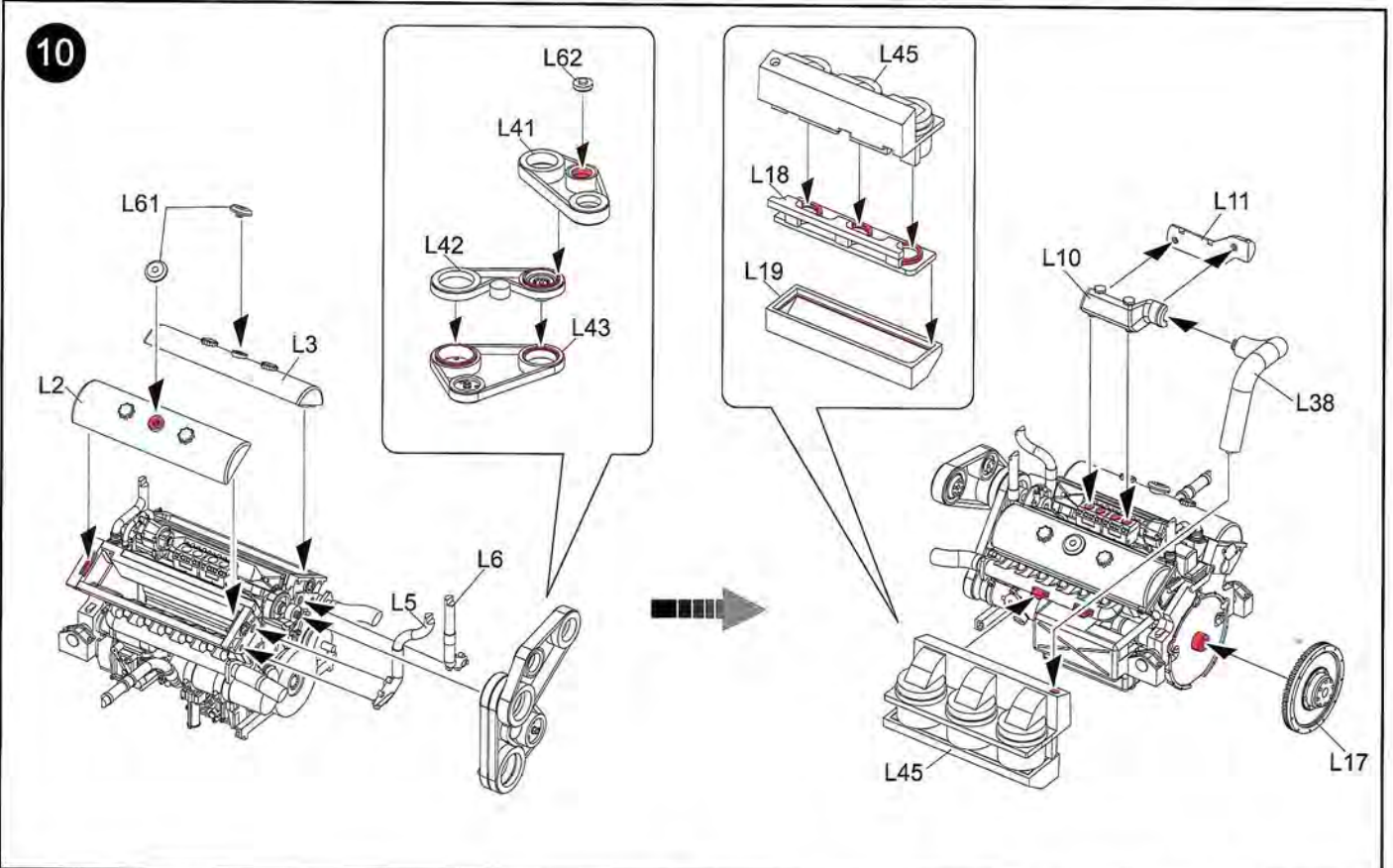
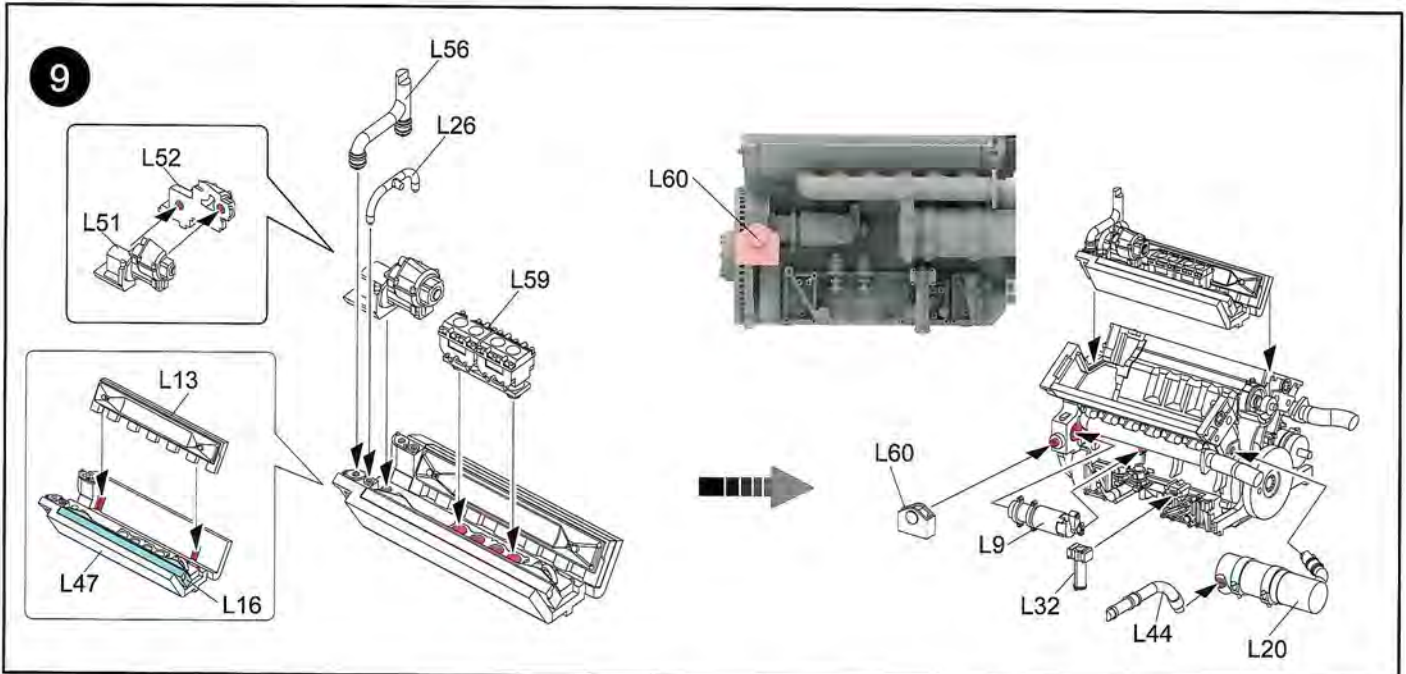
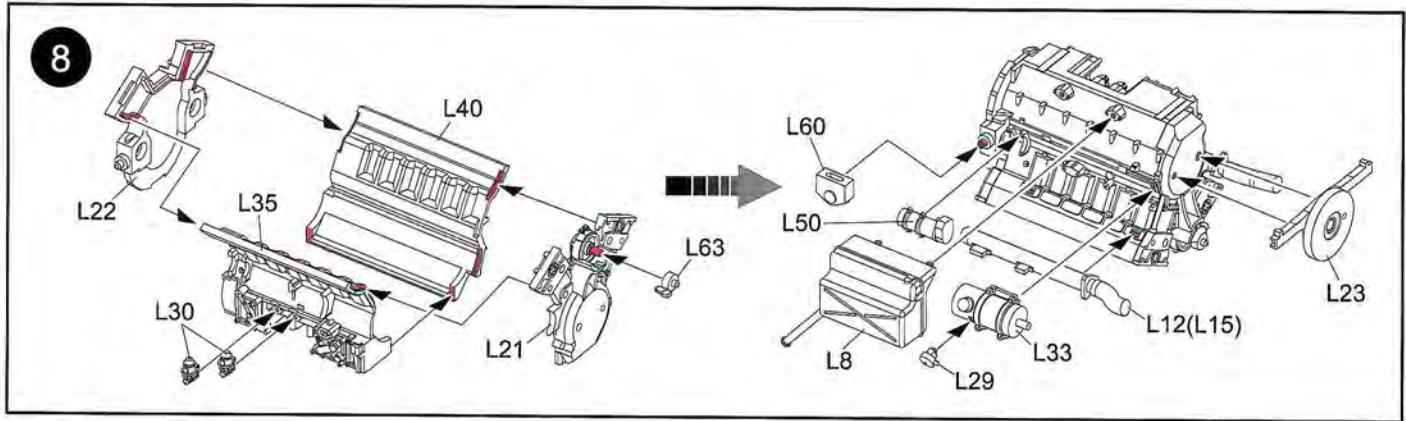
Clear parts



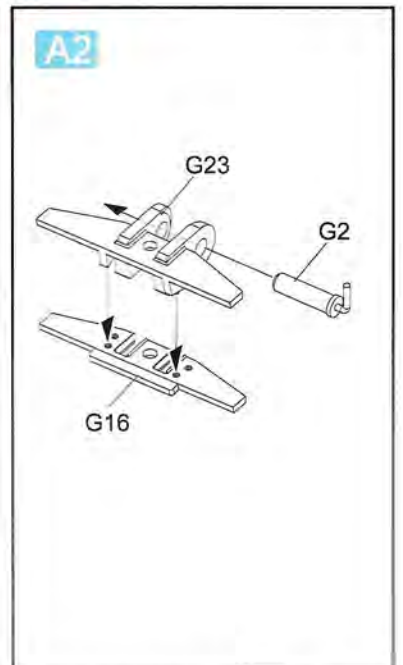
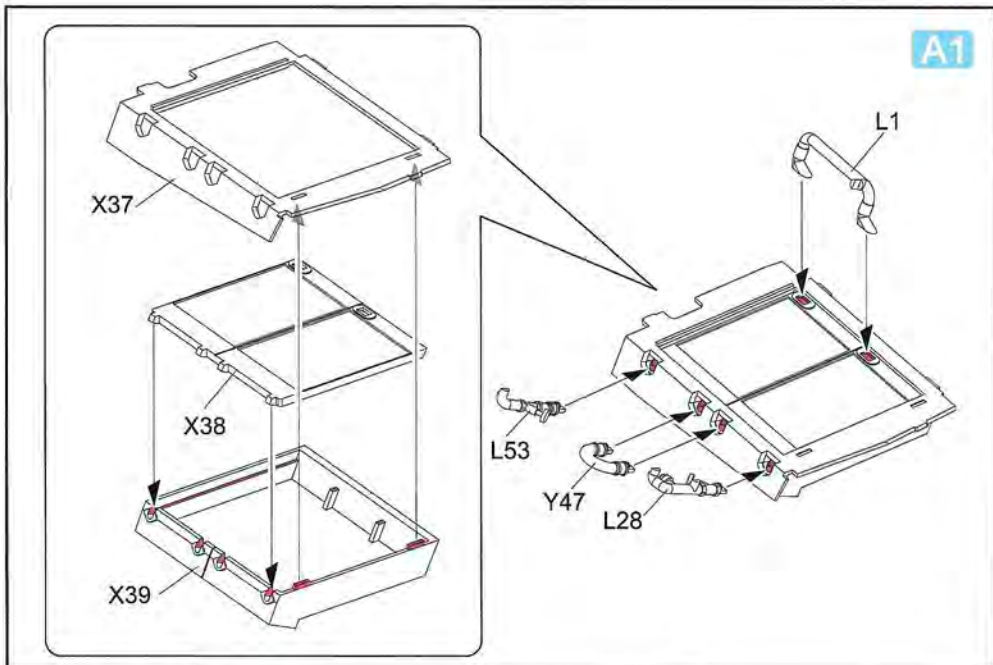
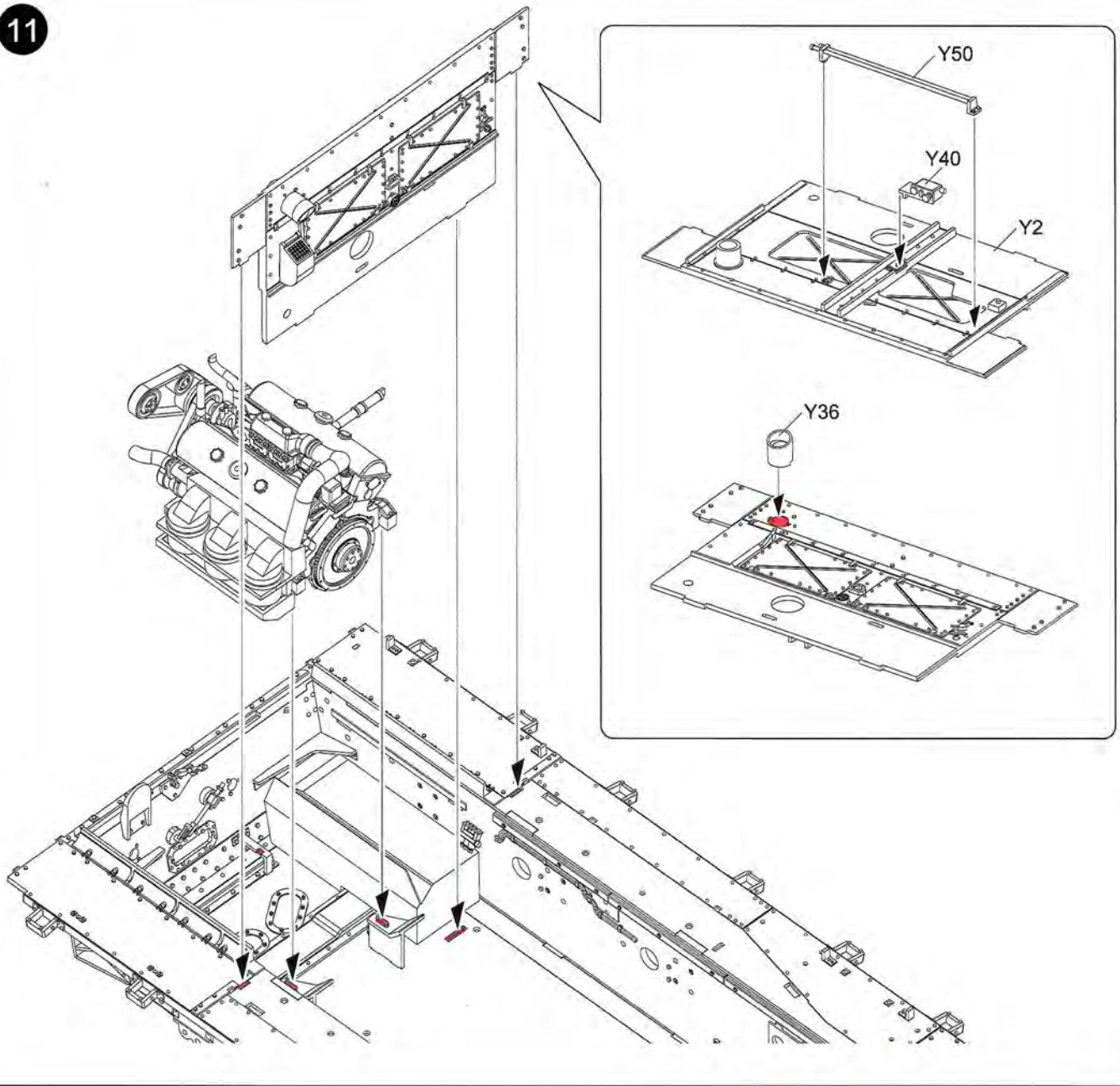




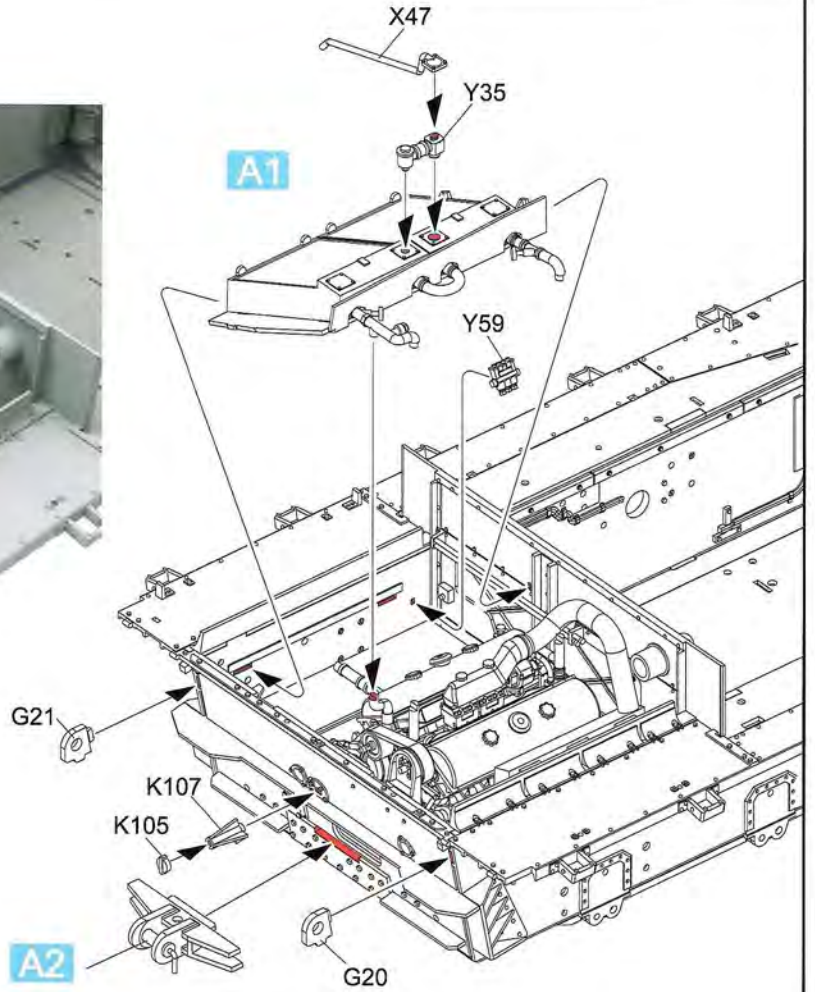
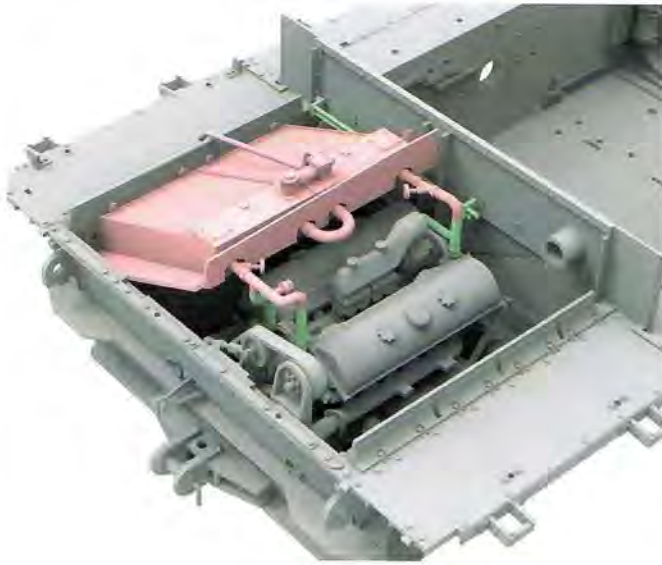




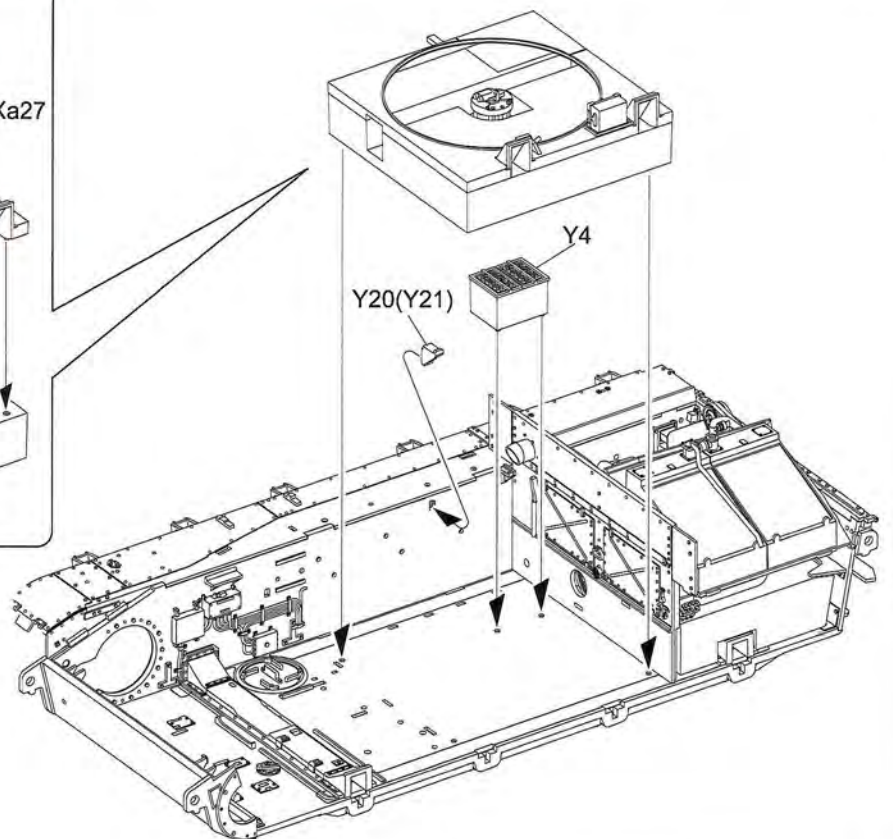
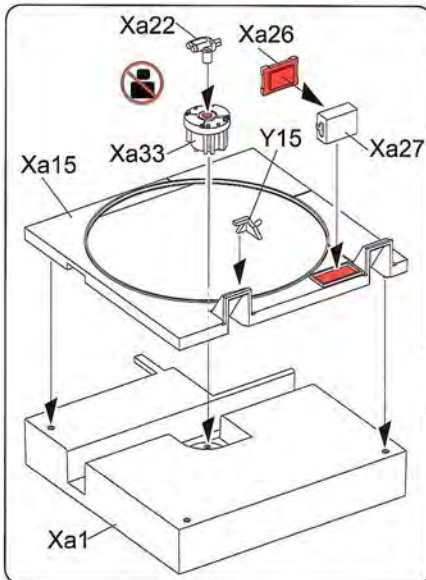
11



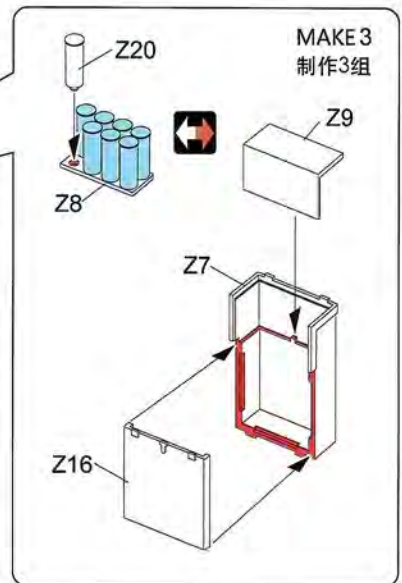
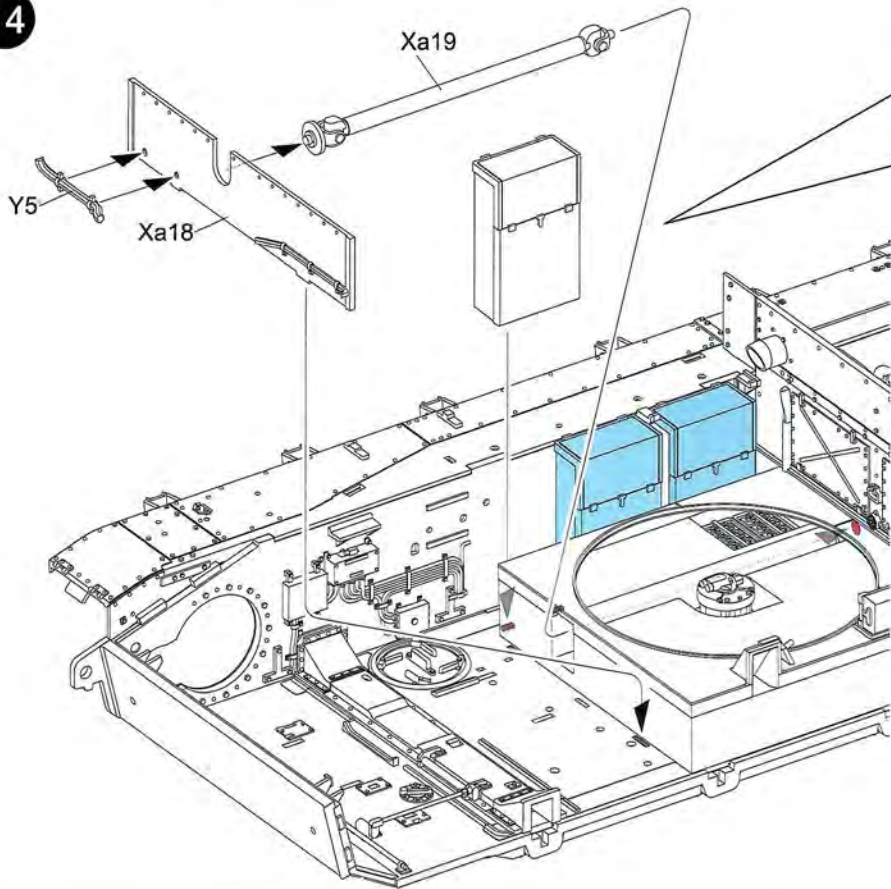
12



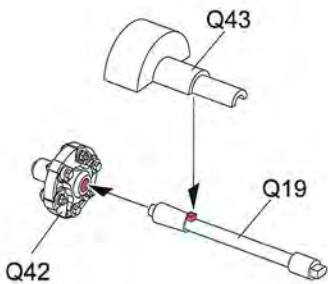
13



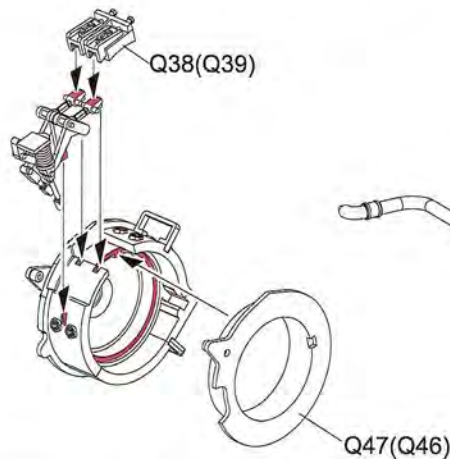
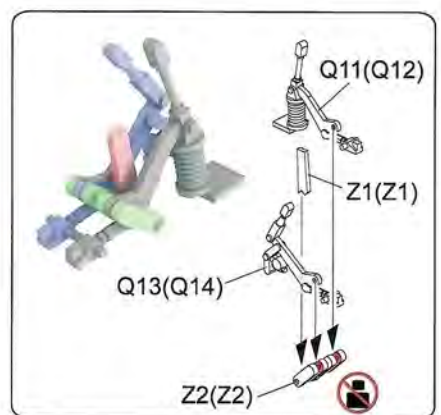
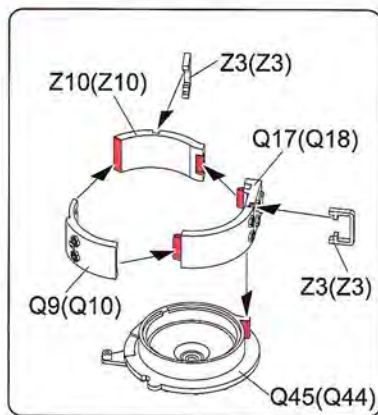
14



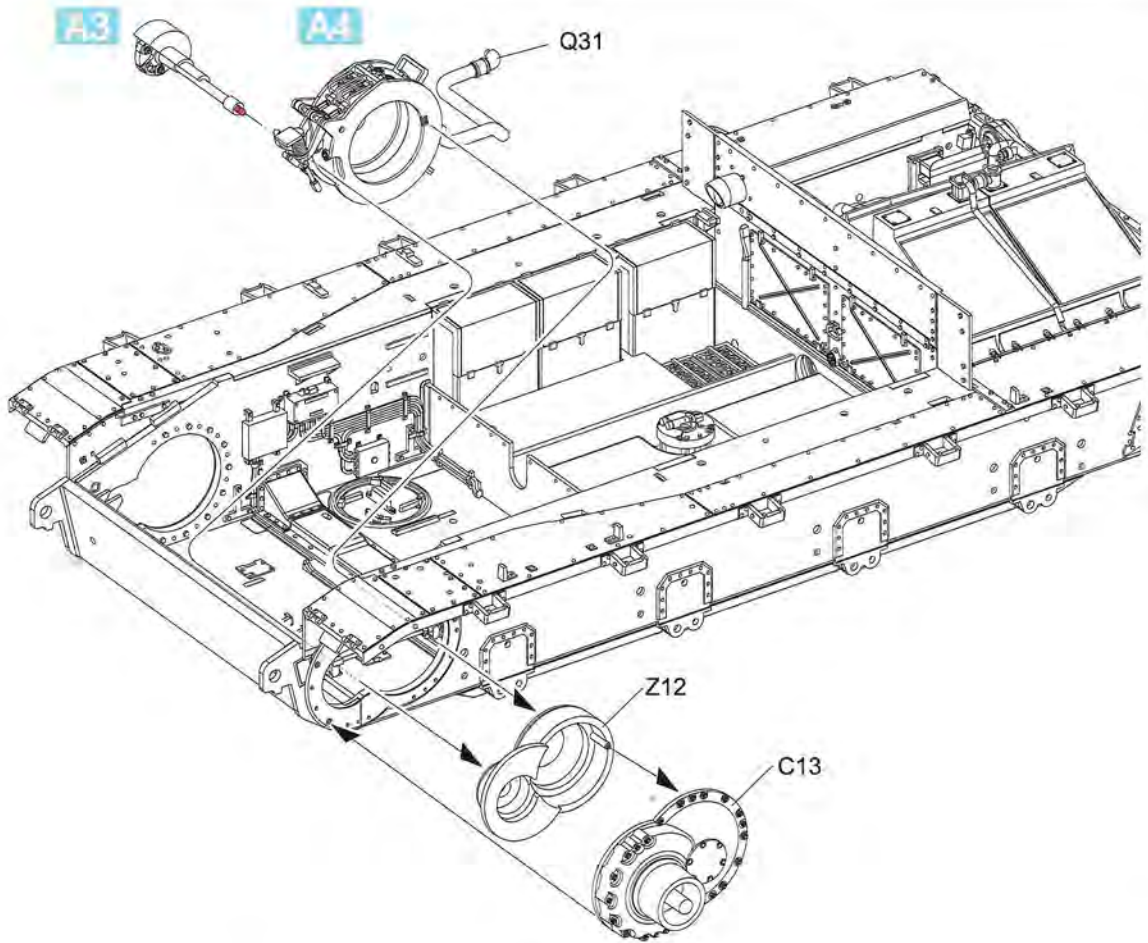
A3



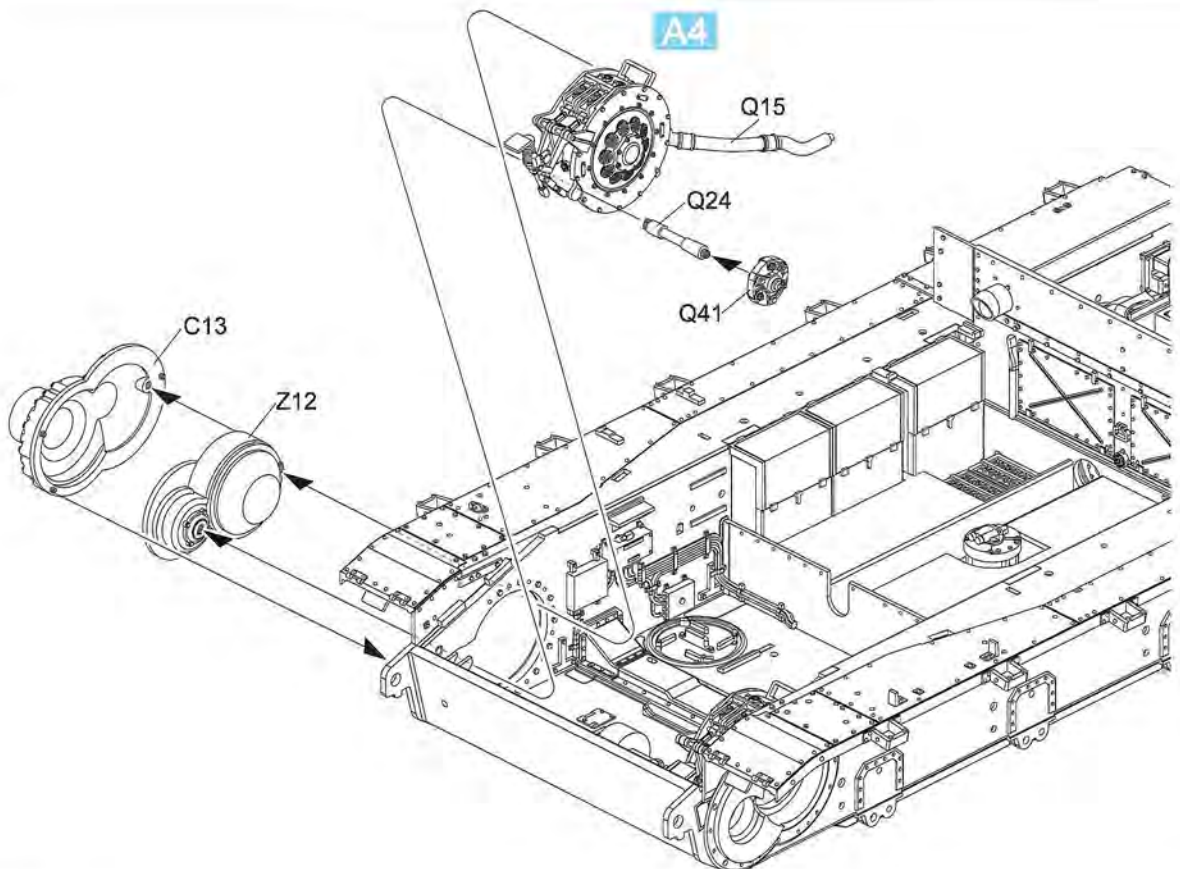
A4



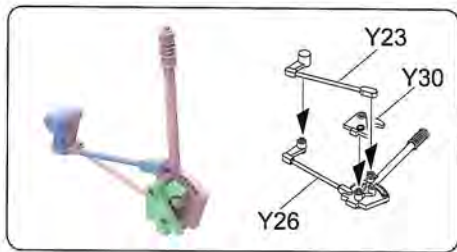
15



16



17

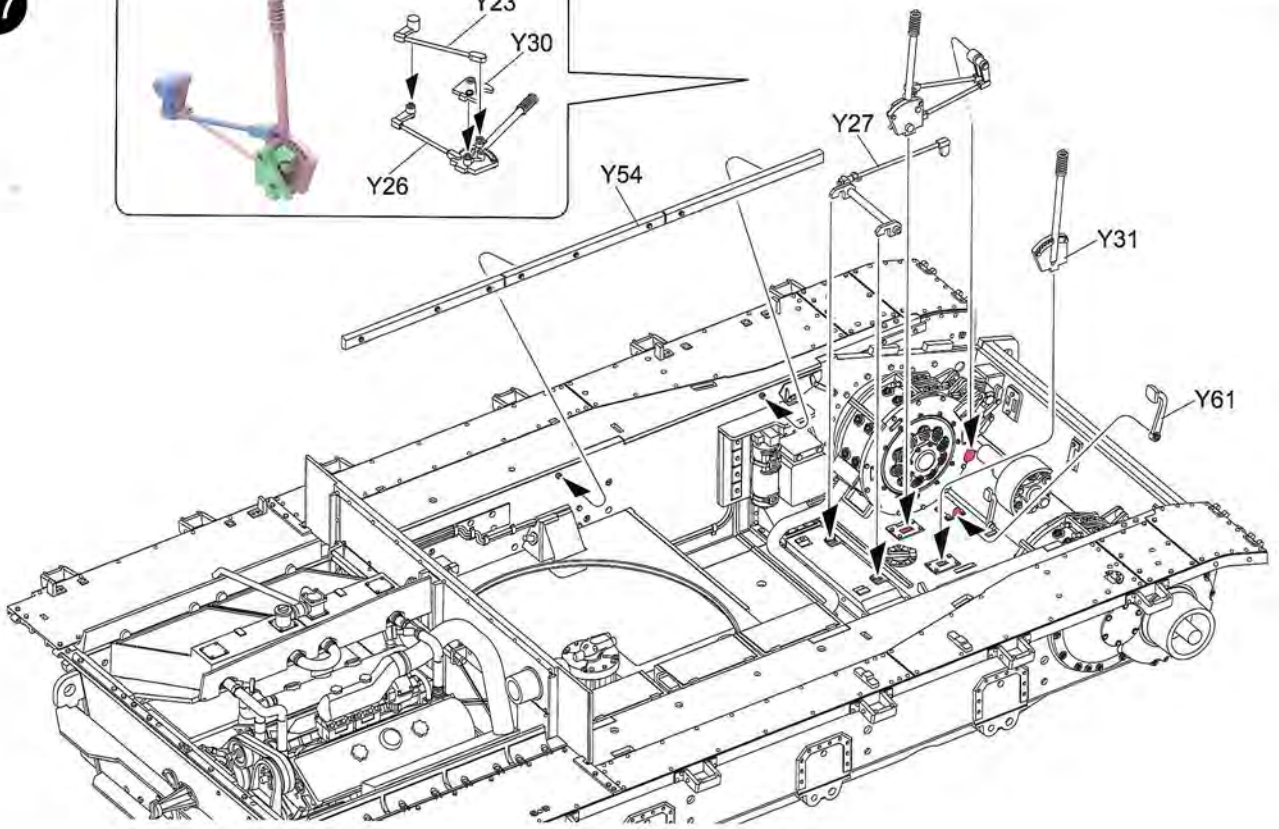


Y54

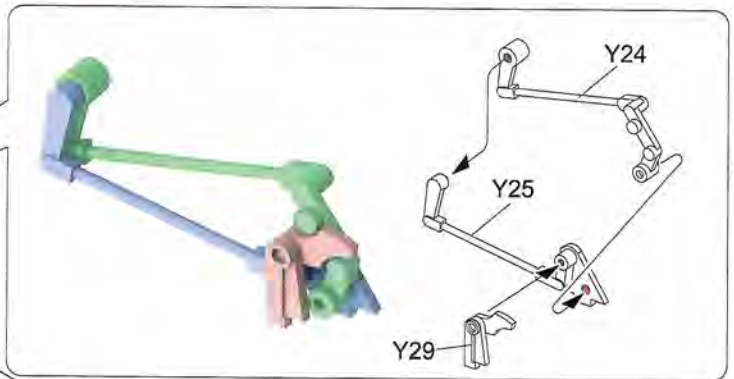
Y27

Y31

Y61



18

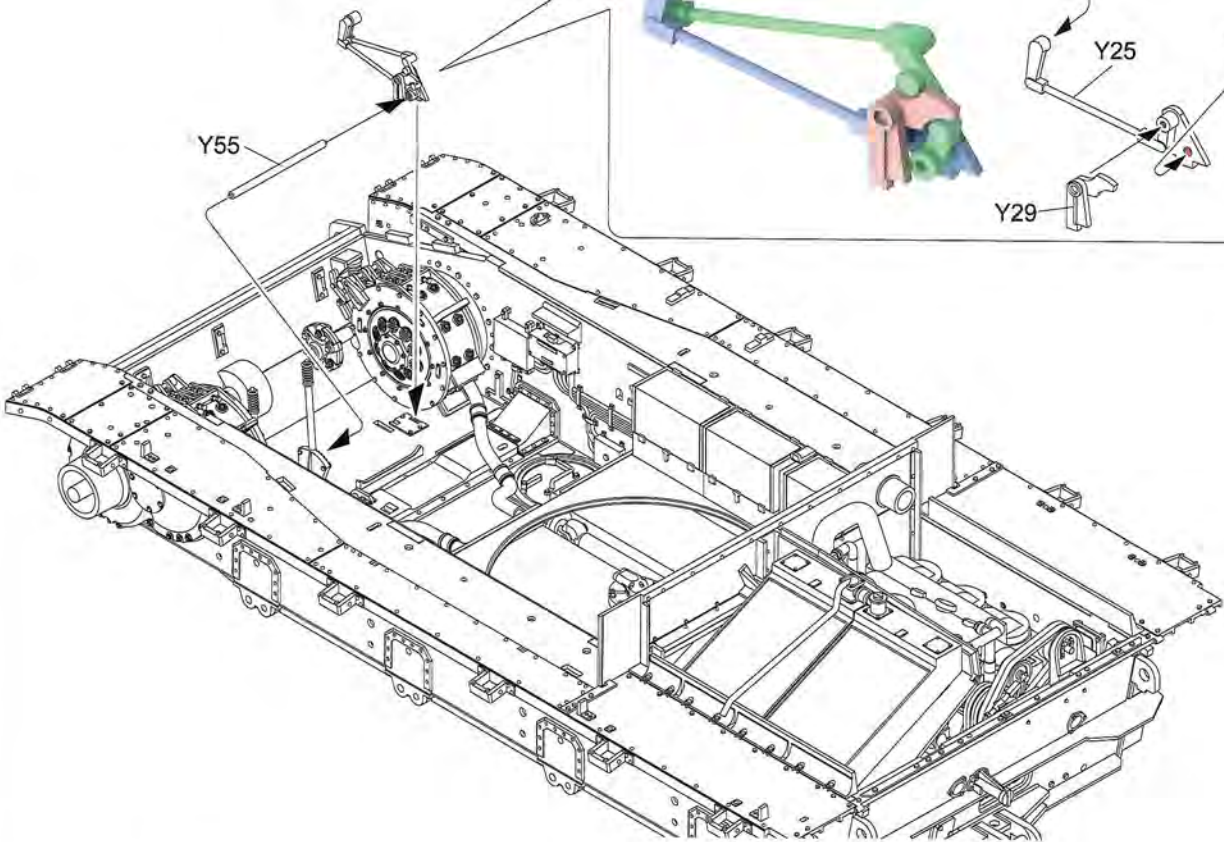


Y55

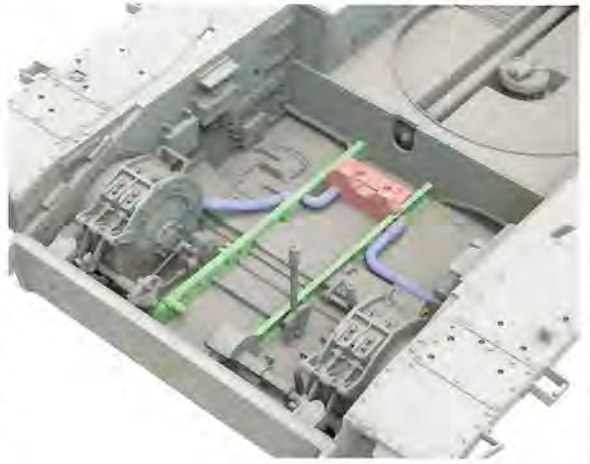
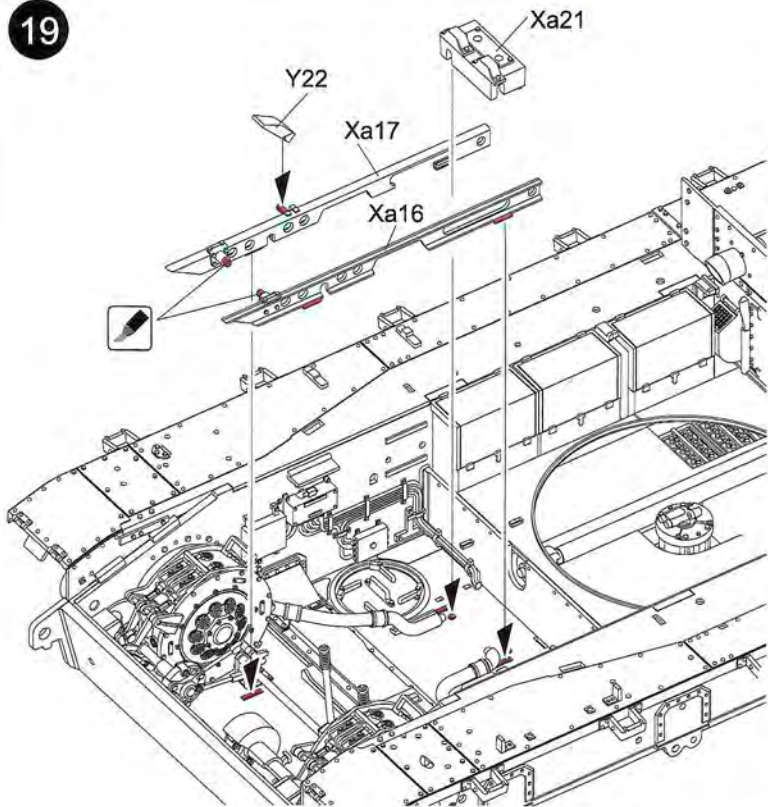
Y24

Y25

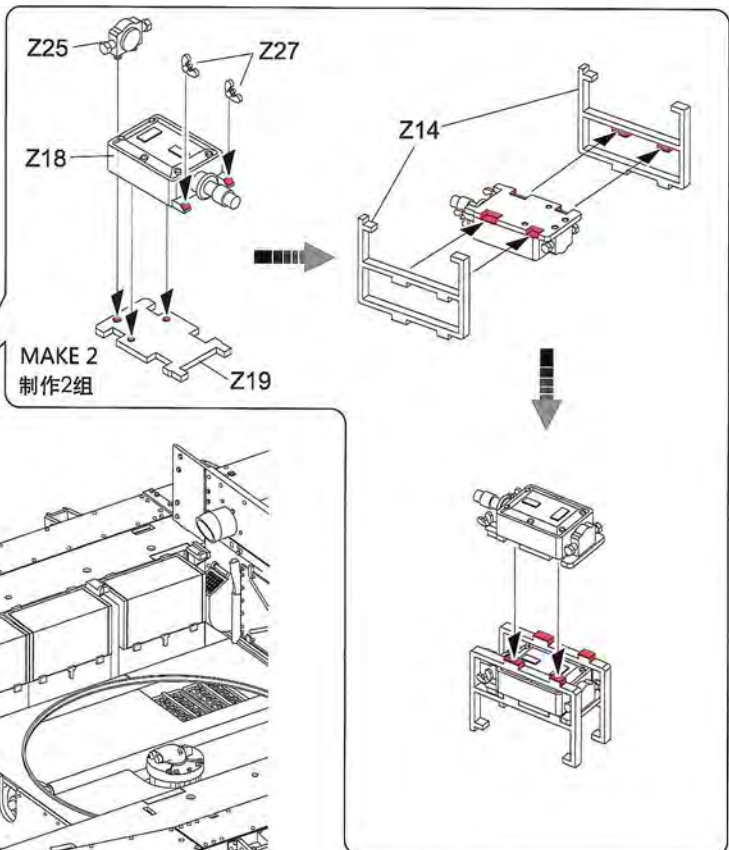
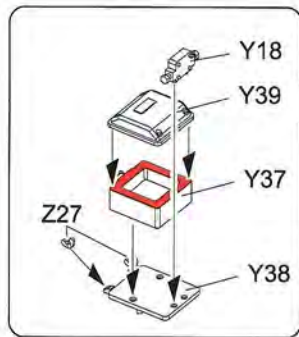
Y29

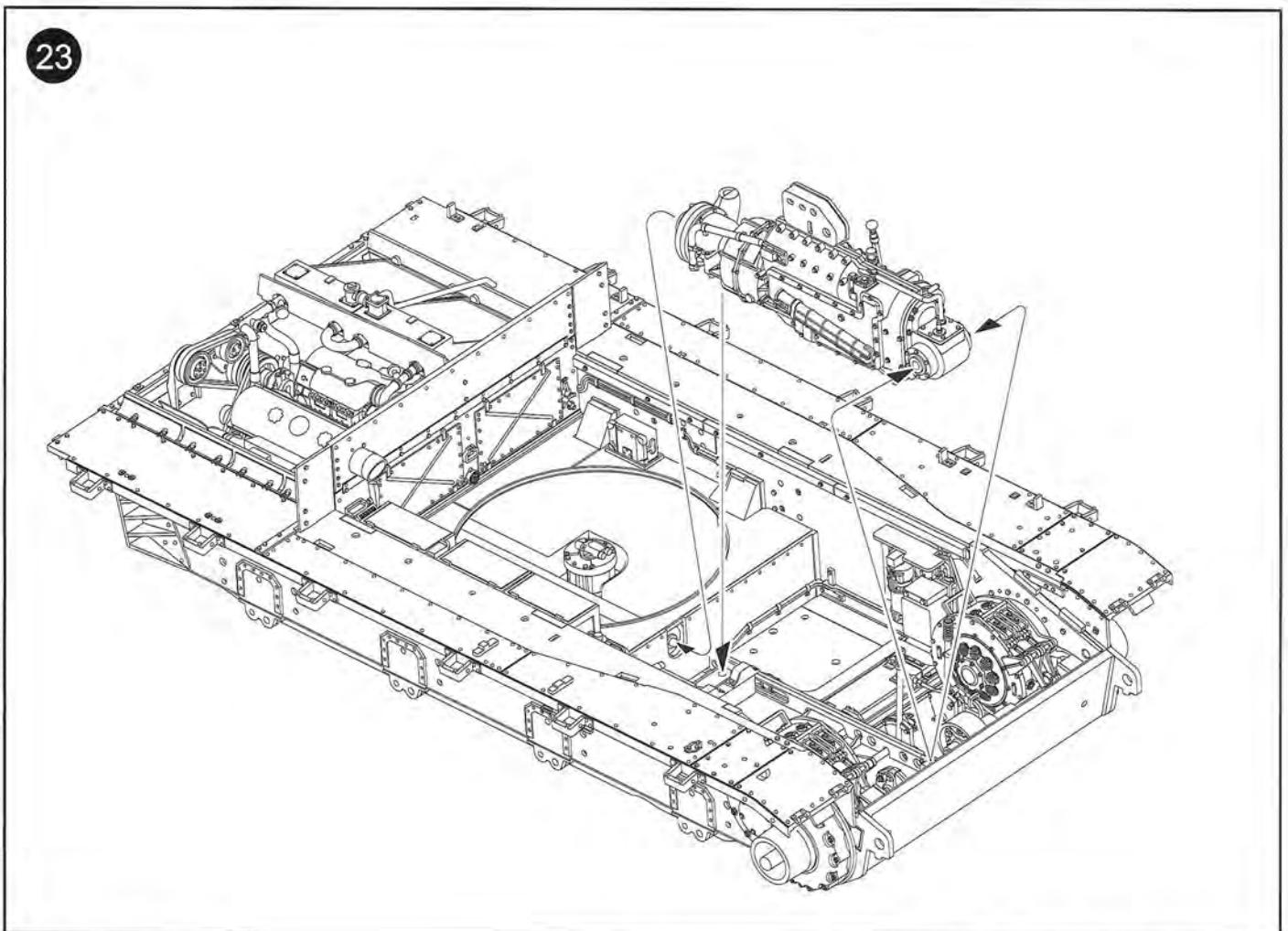
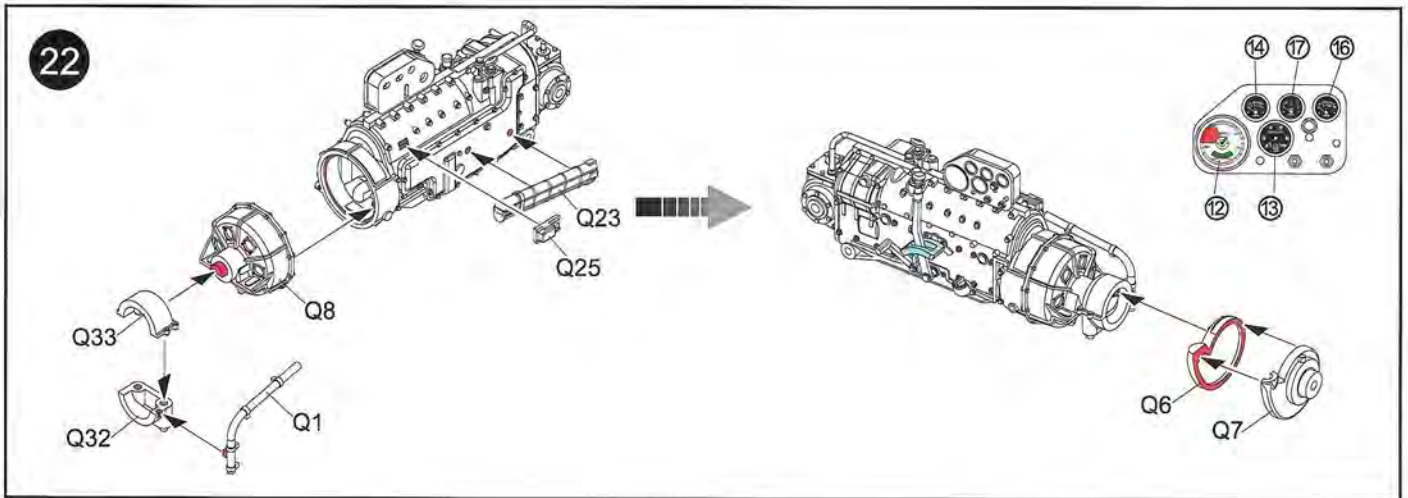
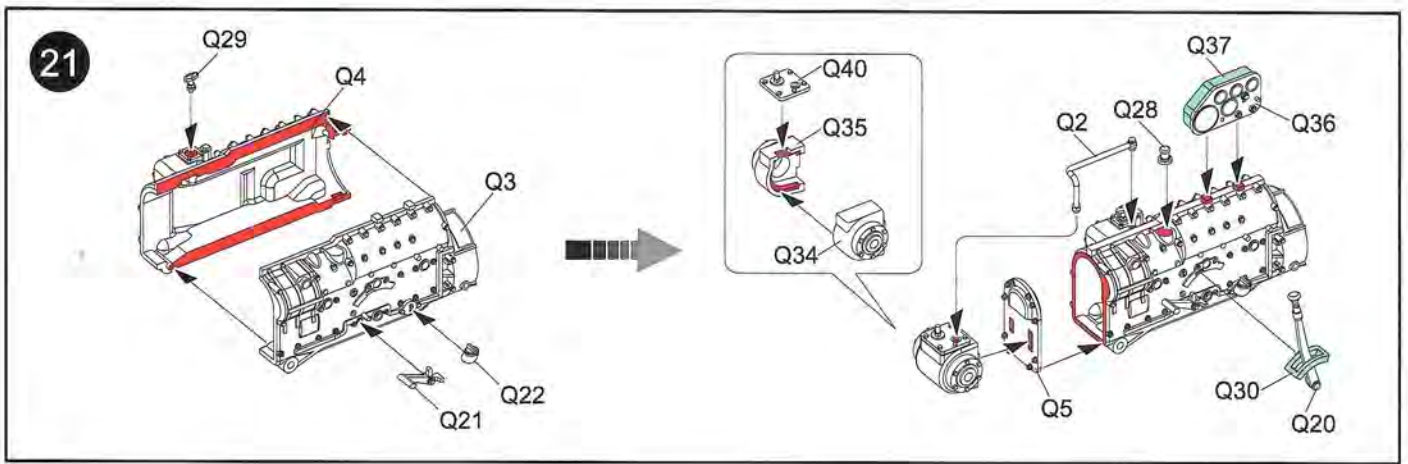


19

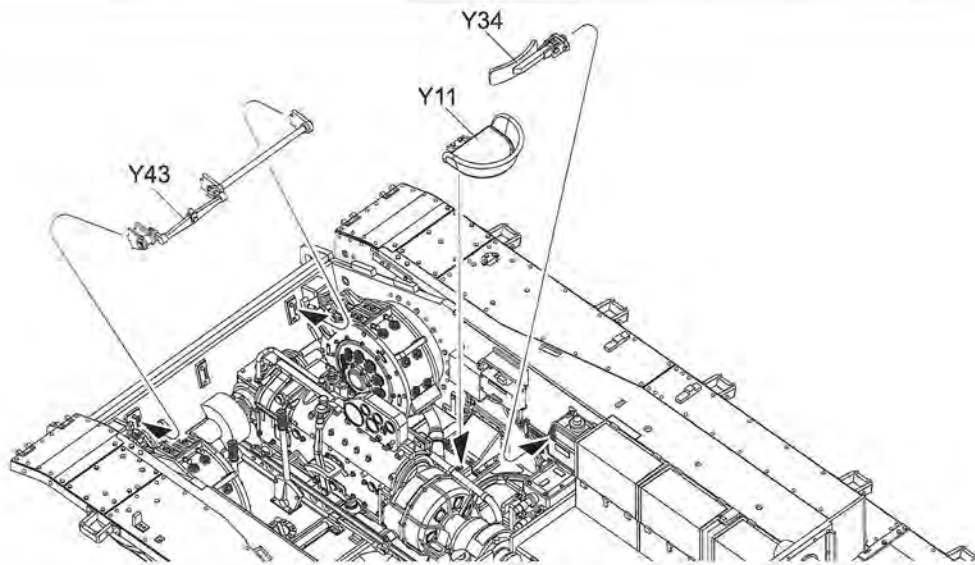


20

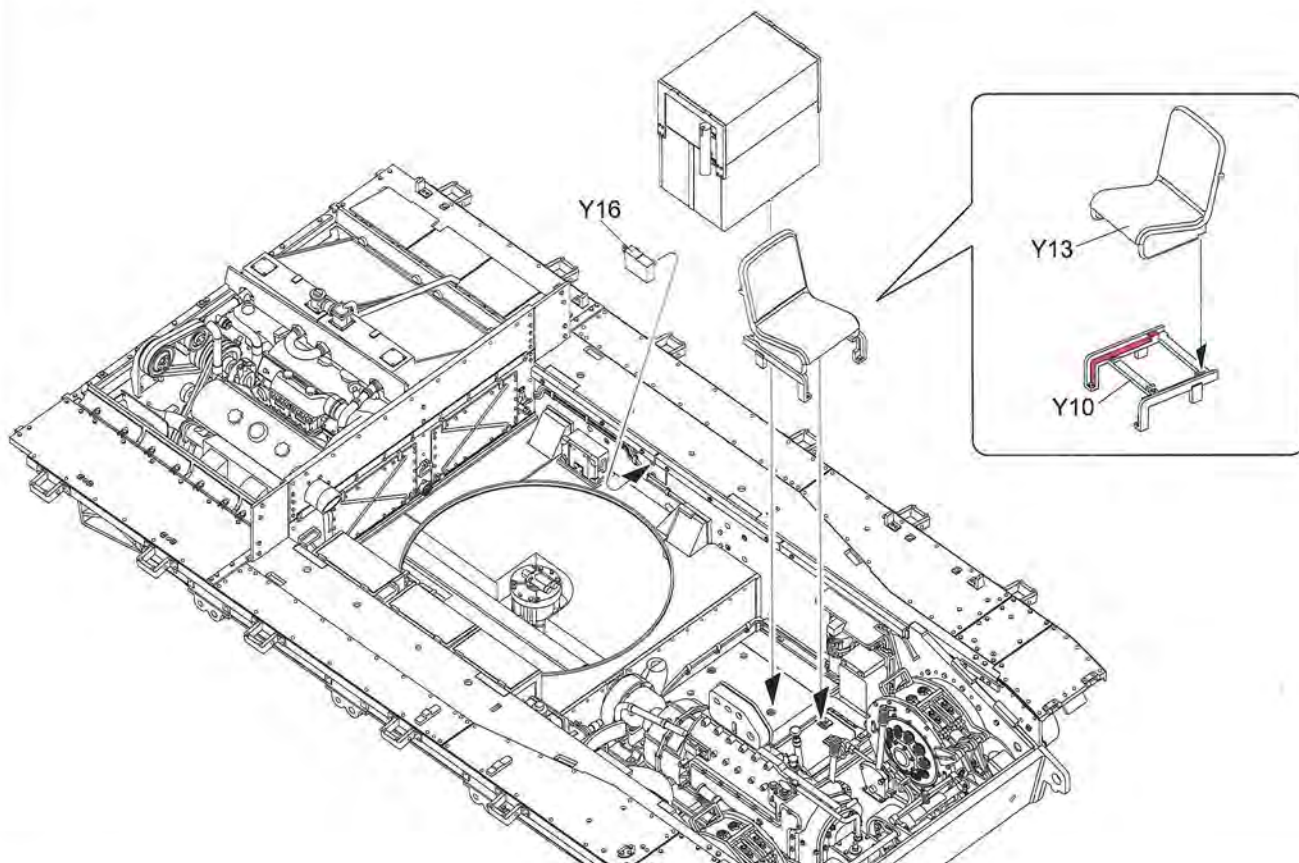
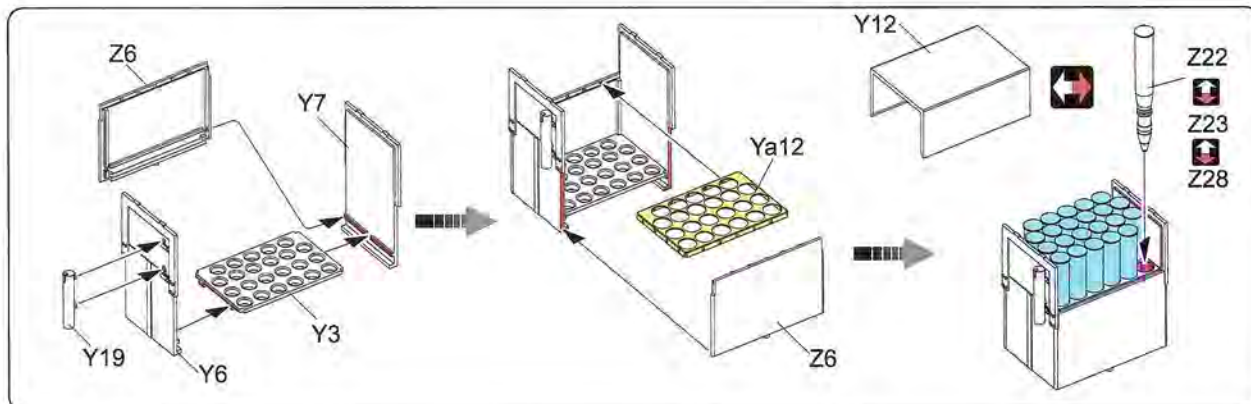




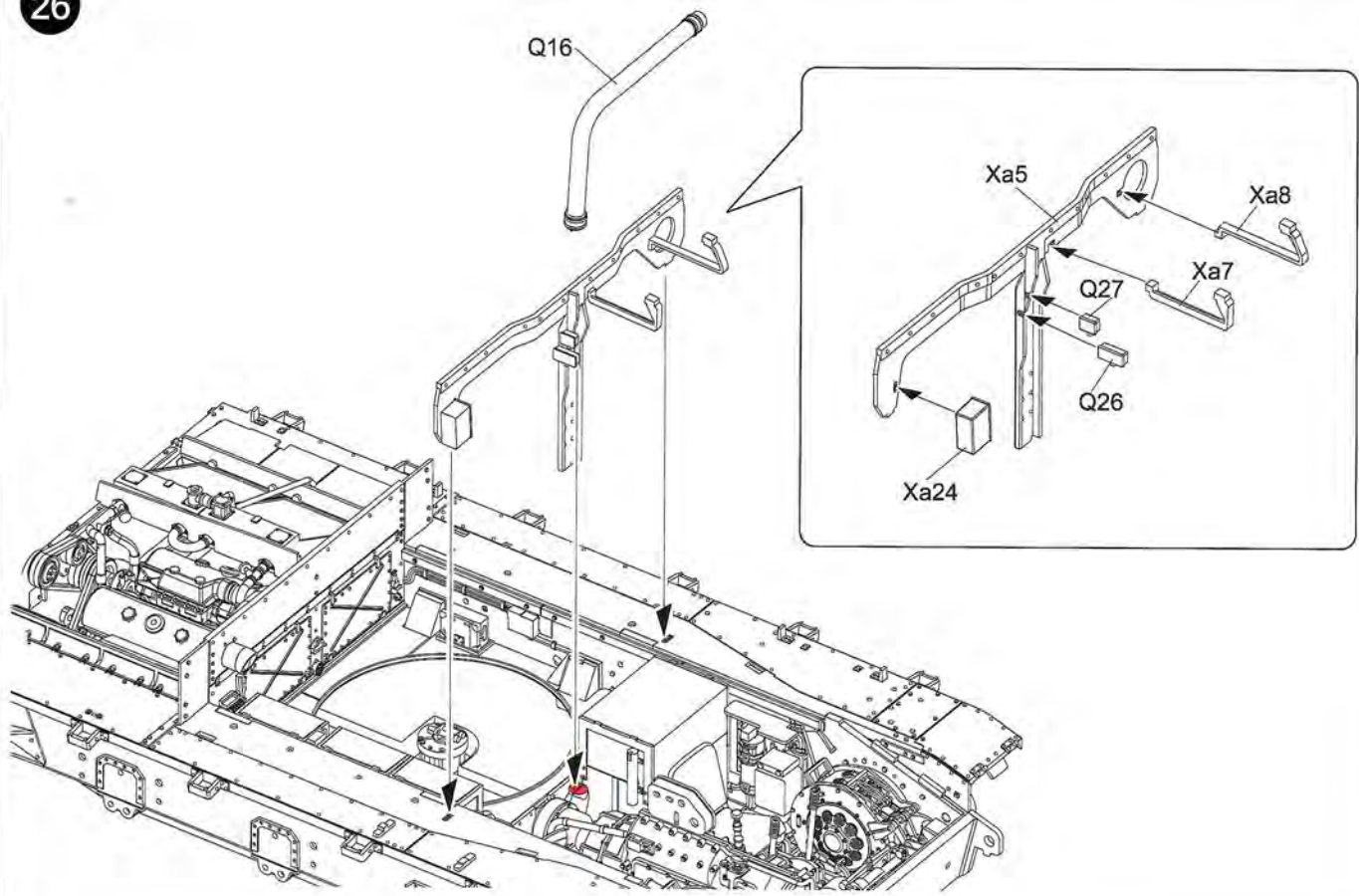
24



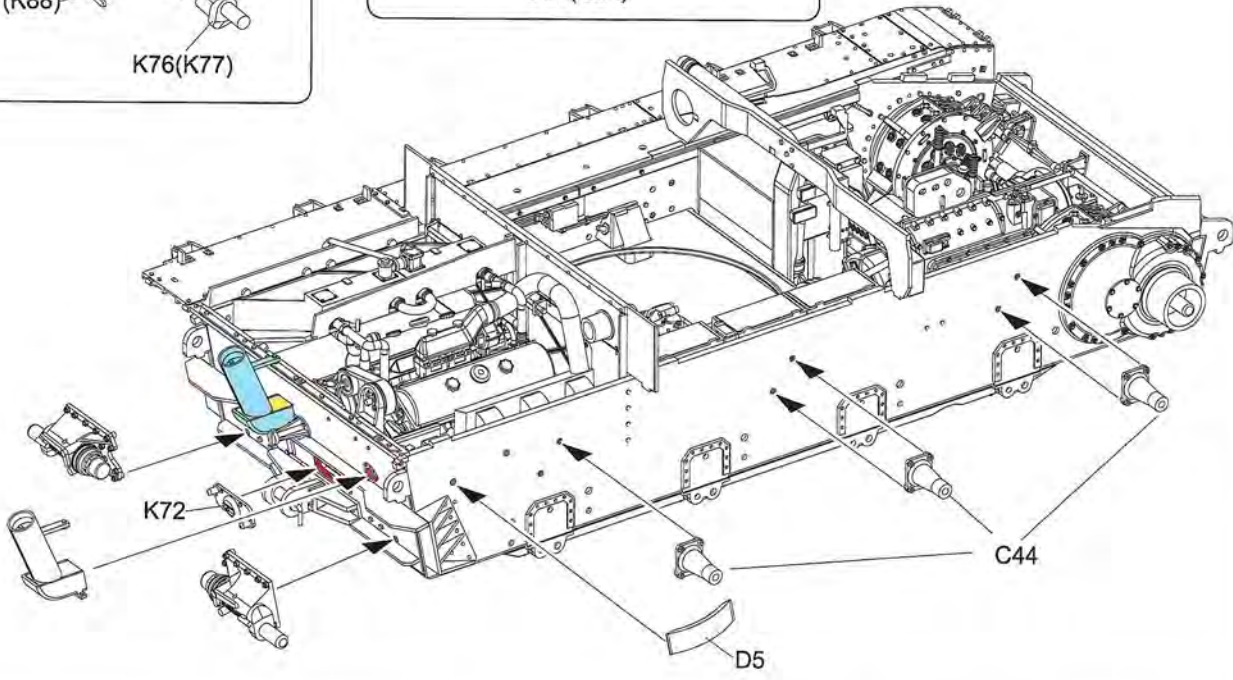
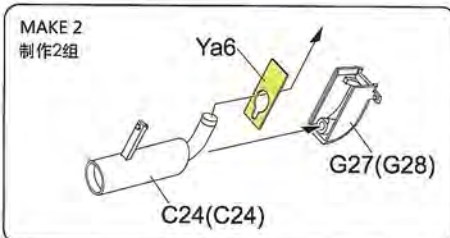
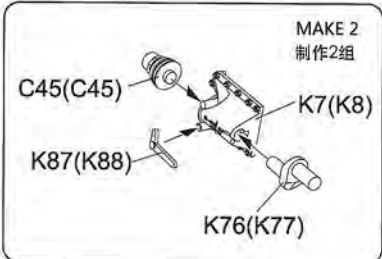
25



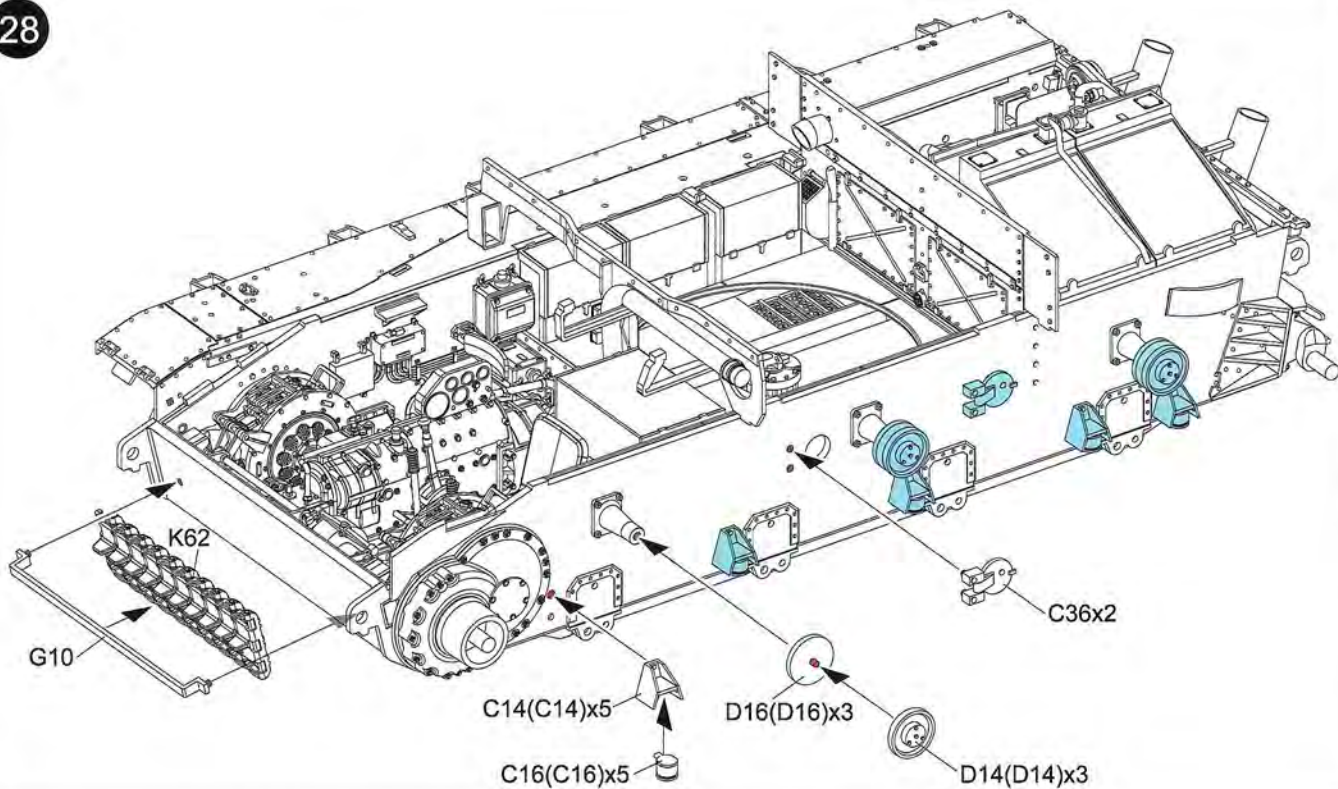
26



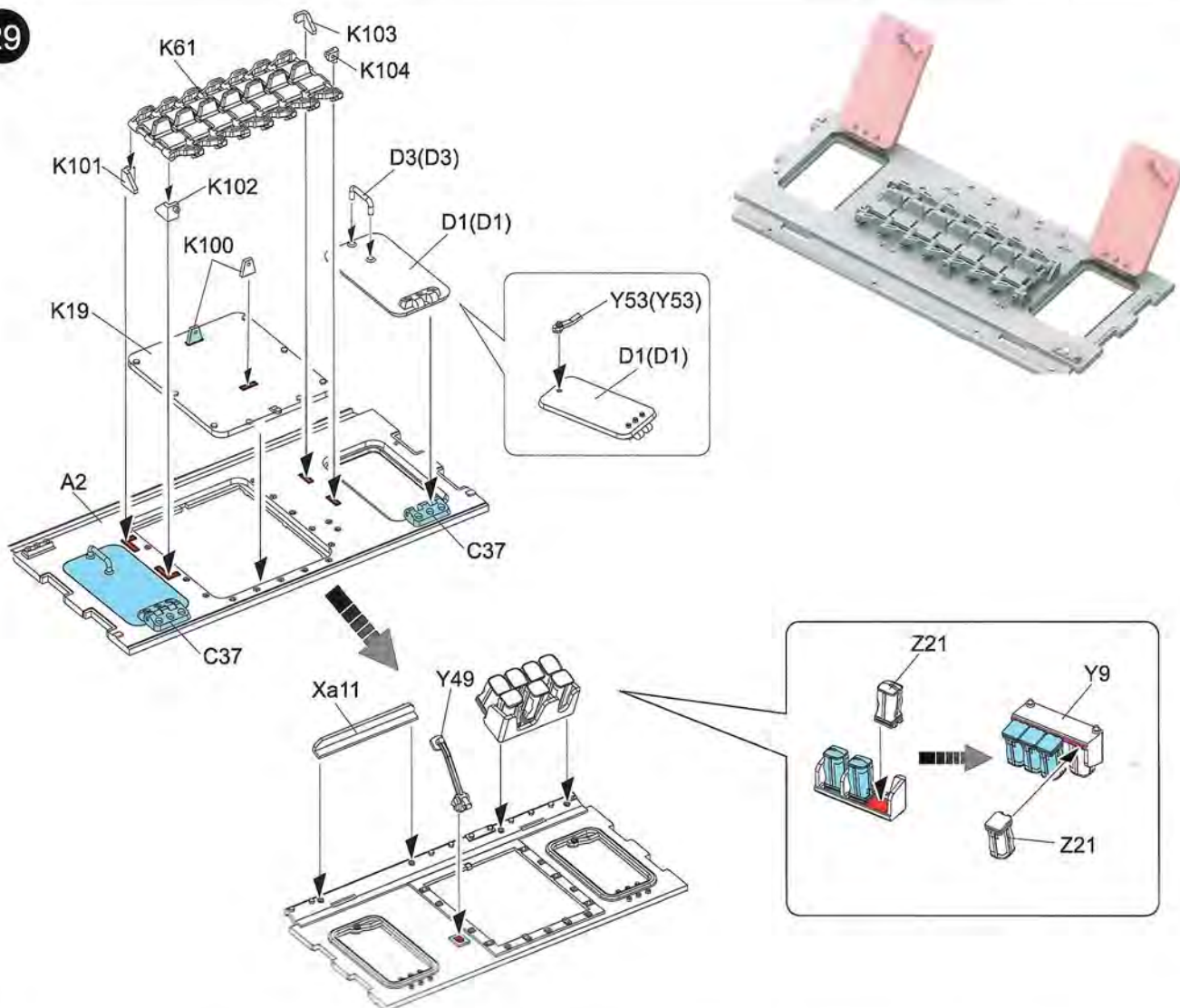
27



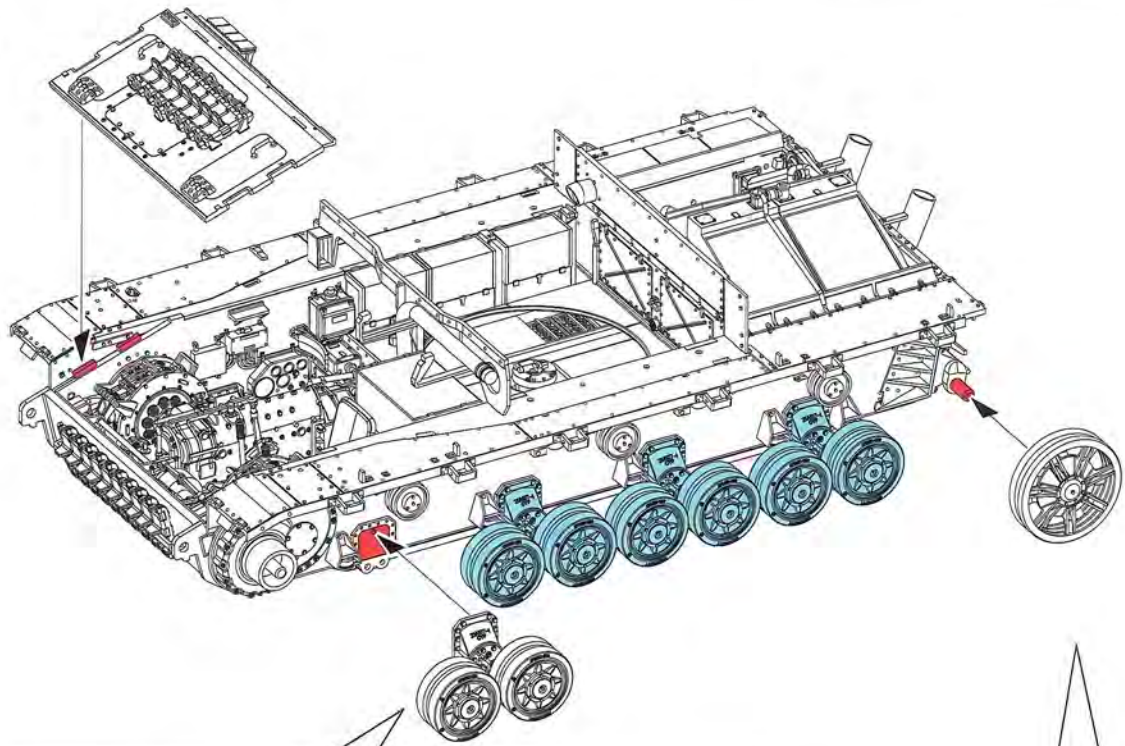
28



29



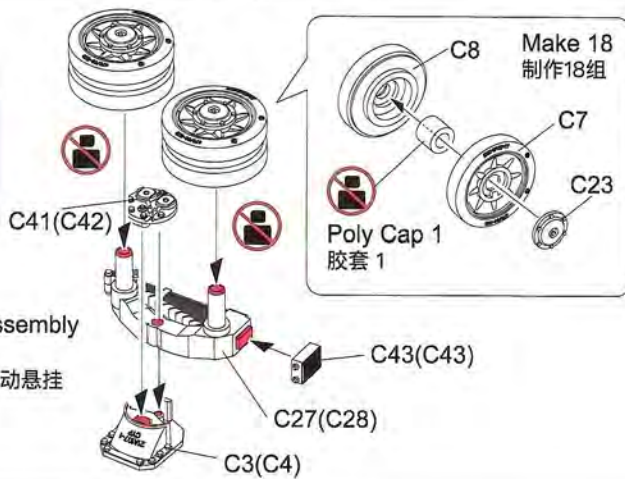
30



MAKE 4
制作4组



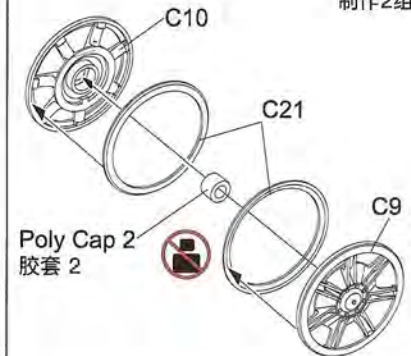
Cut off in order to assembly workable status
切除红色部分可制作活动悬挂



Make 18
制作18组

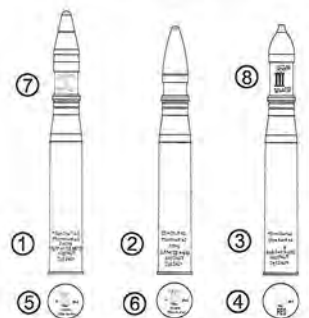
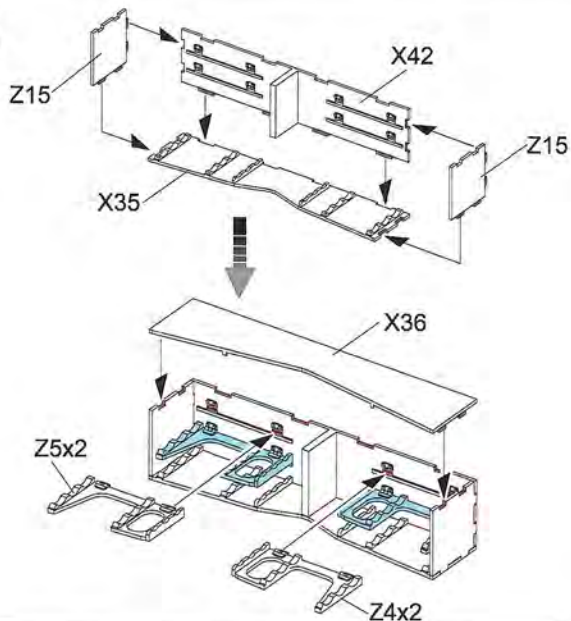
Poly Cap 1
胶套 1

MAKE 2
制作2组



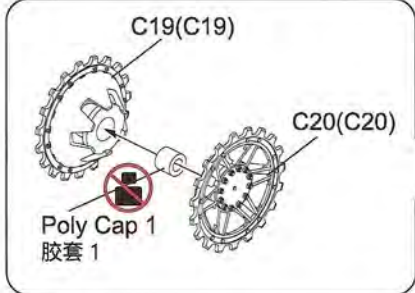
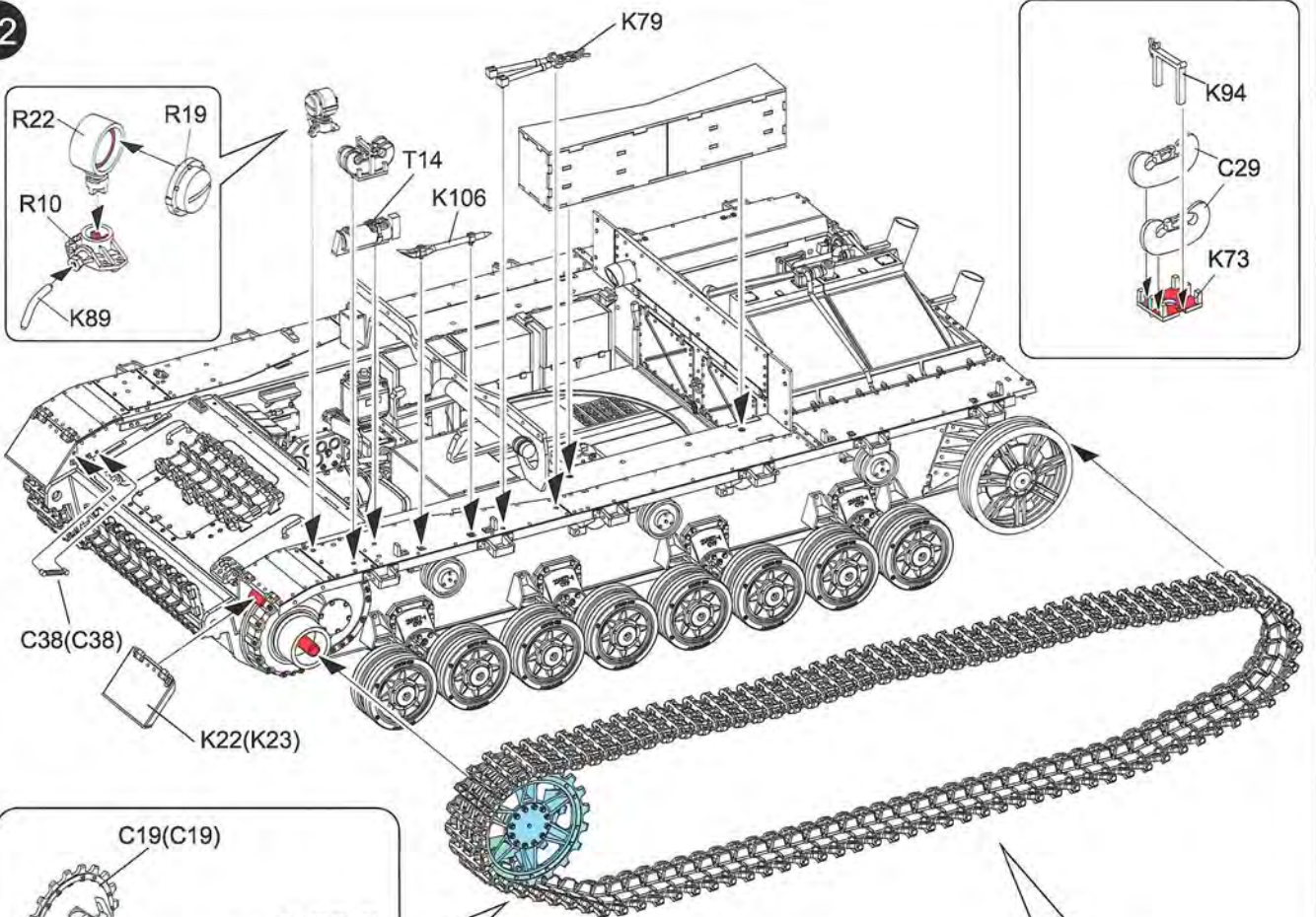
Poly Cap 2
胶套 2

31



Z22 Z23 Z28

32

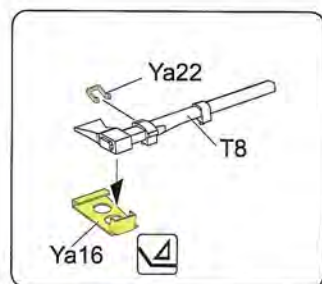
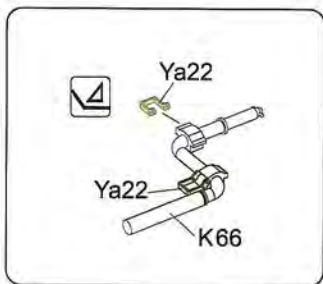
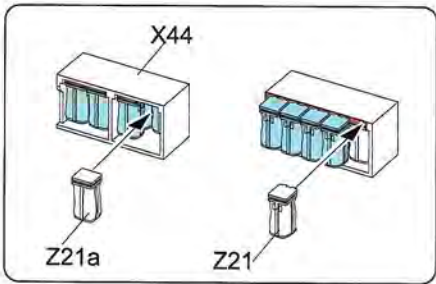
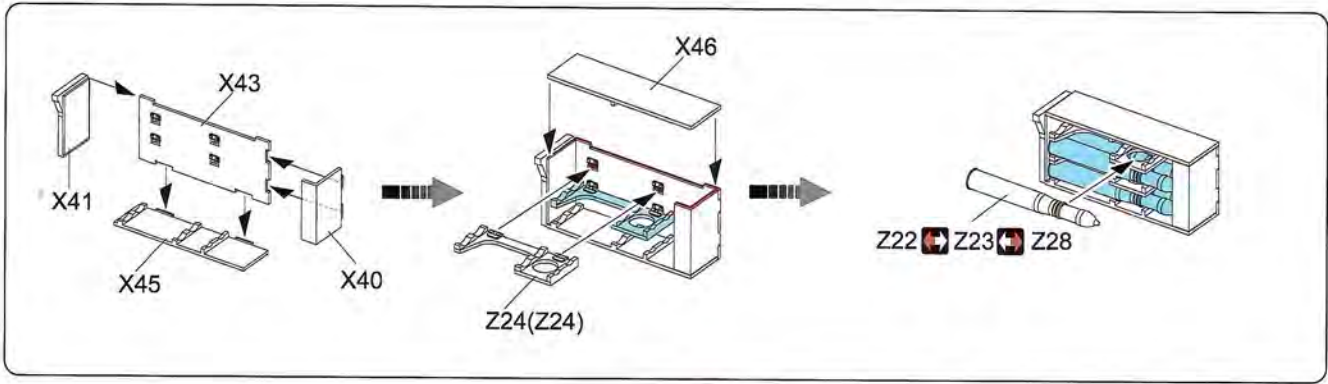


MAKE 2
制作2组

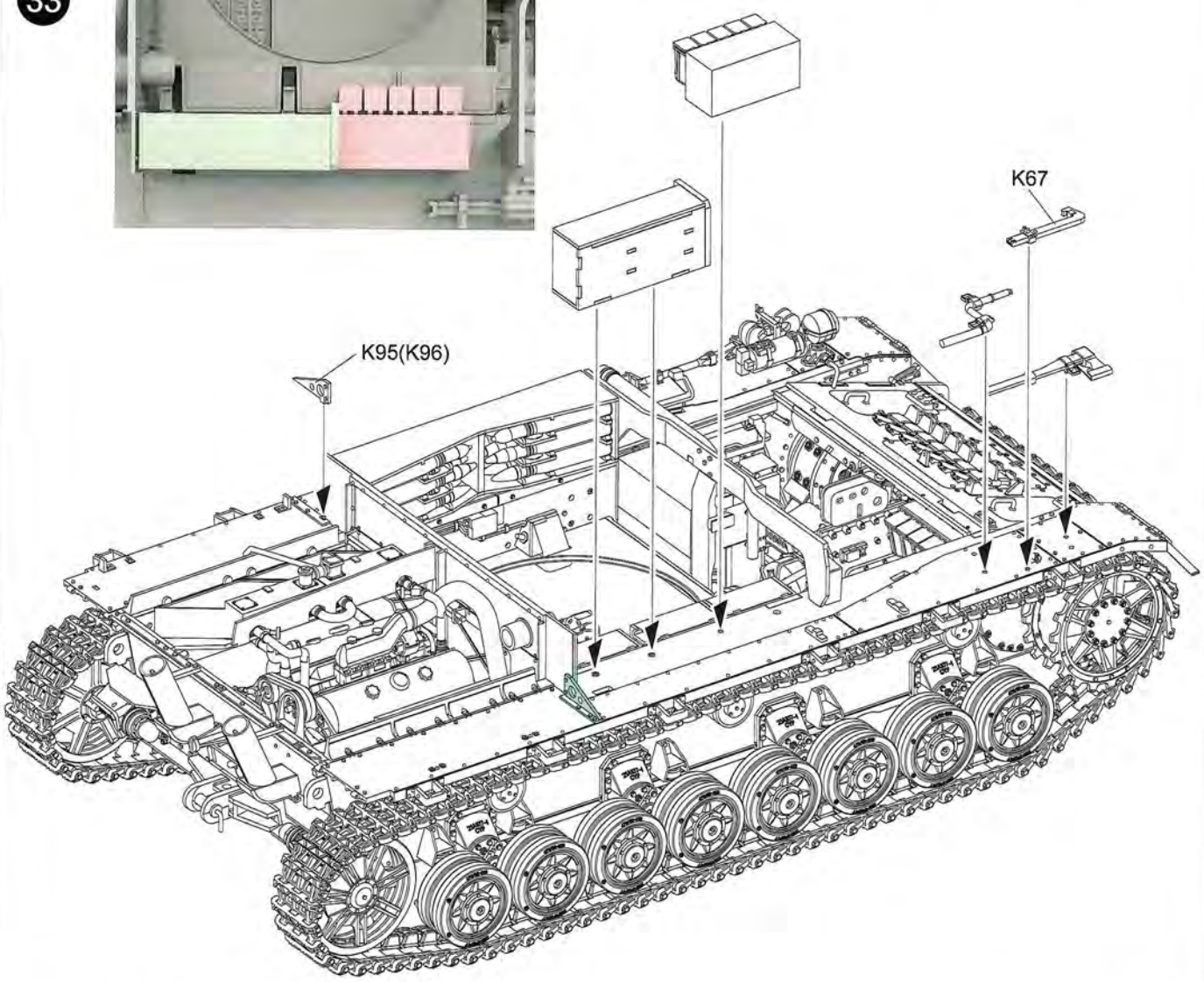
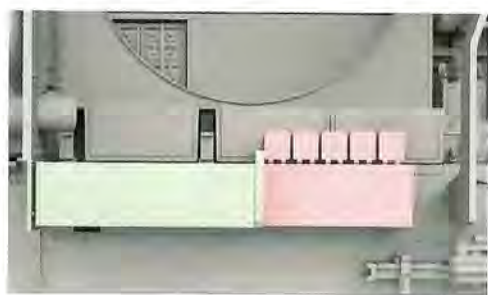
98 pieces per side
每侧98节

Use the cement only on the red parts to ensure that the track can workable.
仅在红色部分上使用胶水以确保履带的活动性。

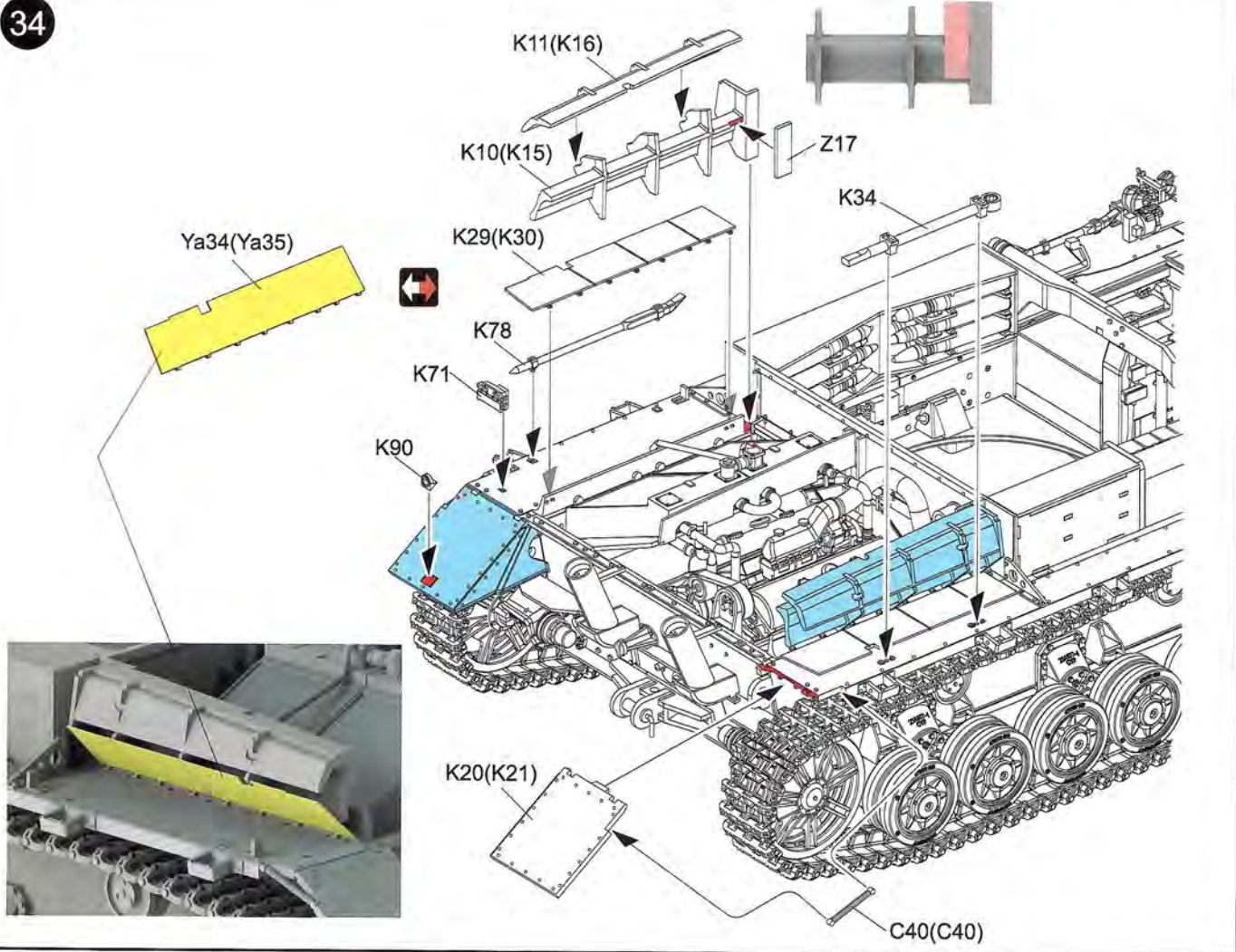




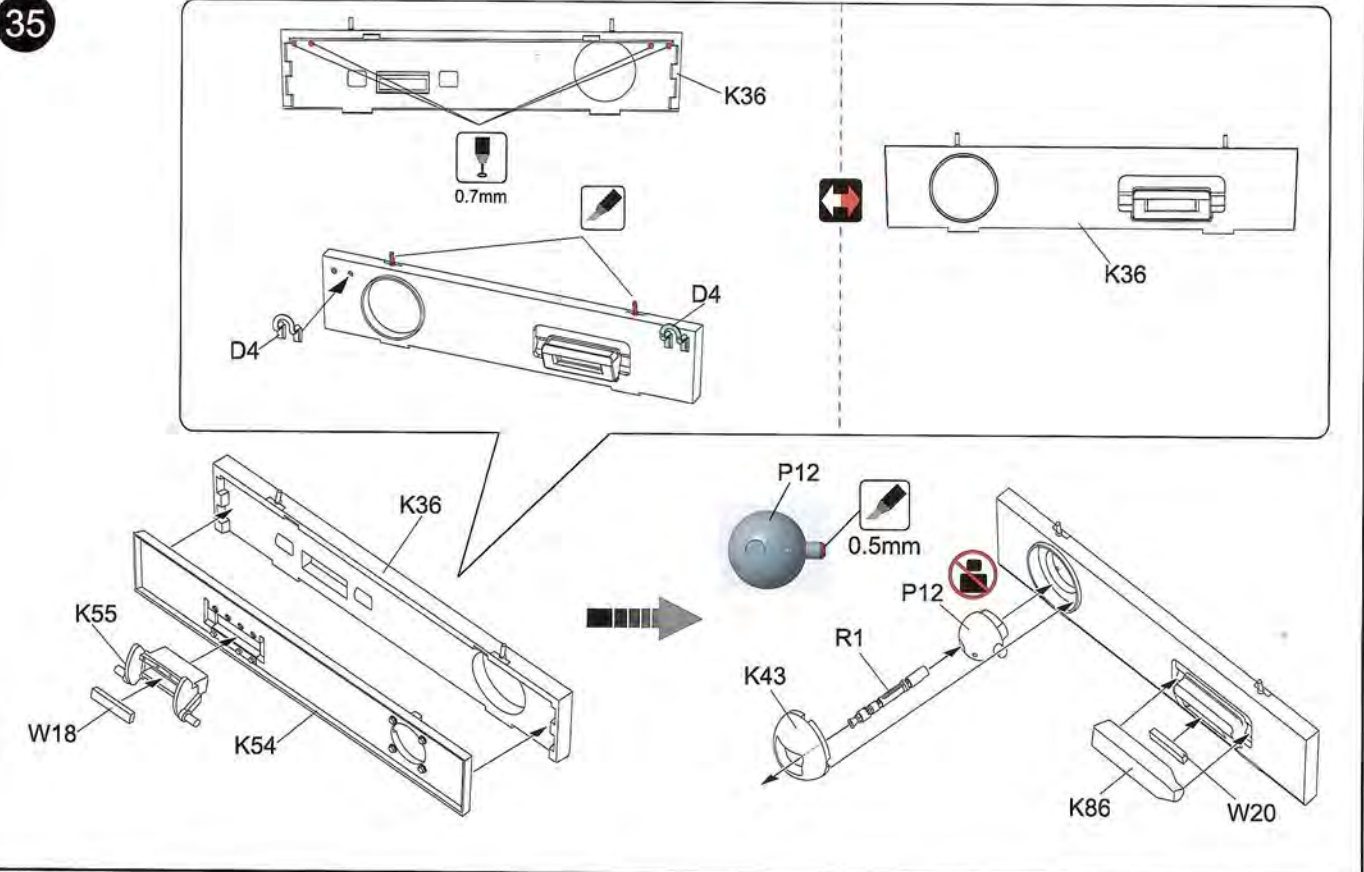
33



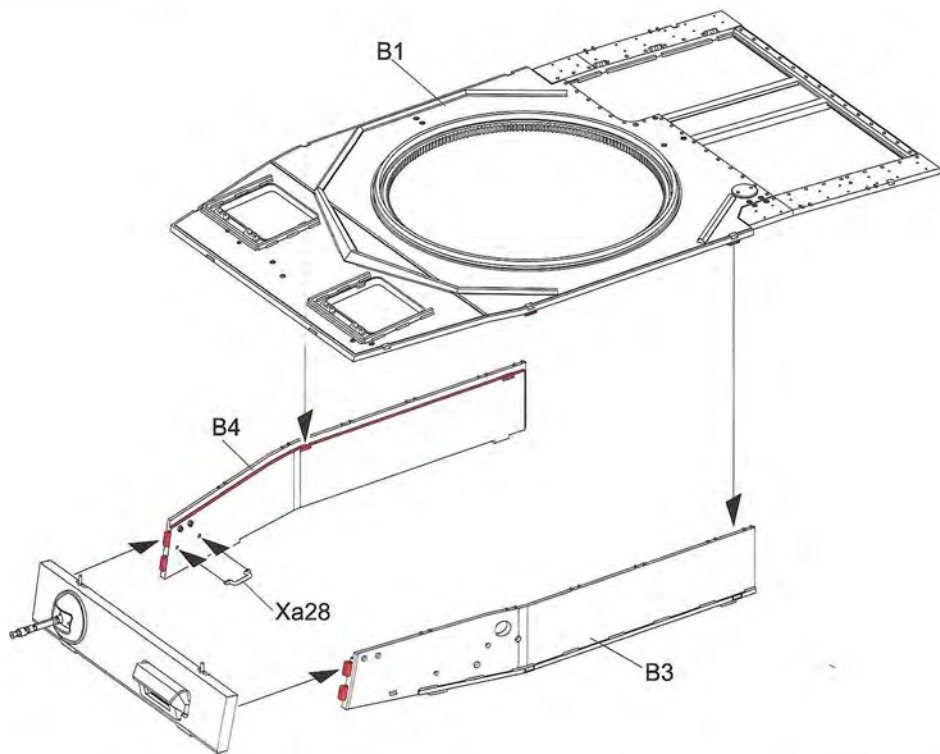
34



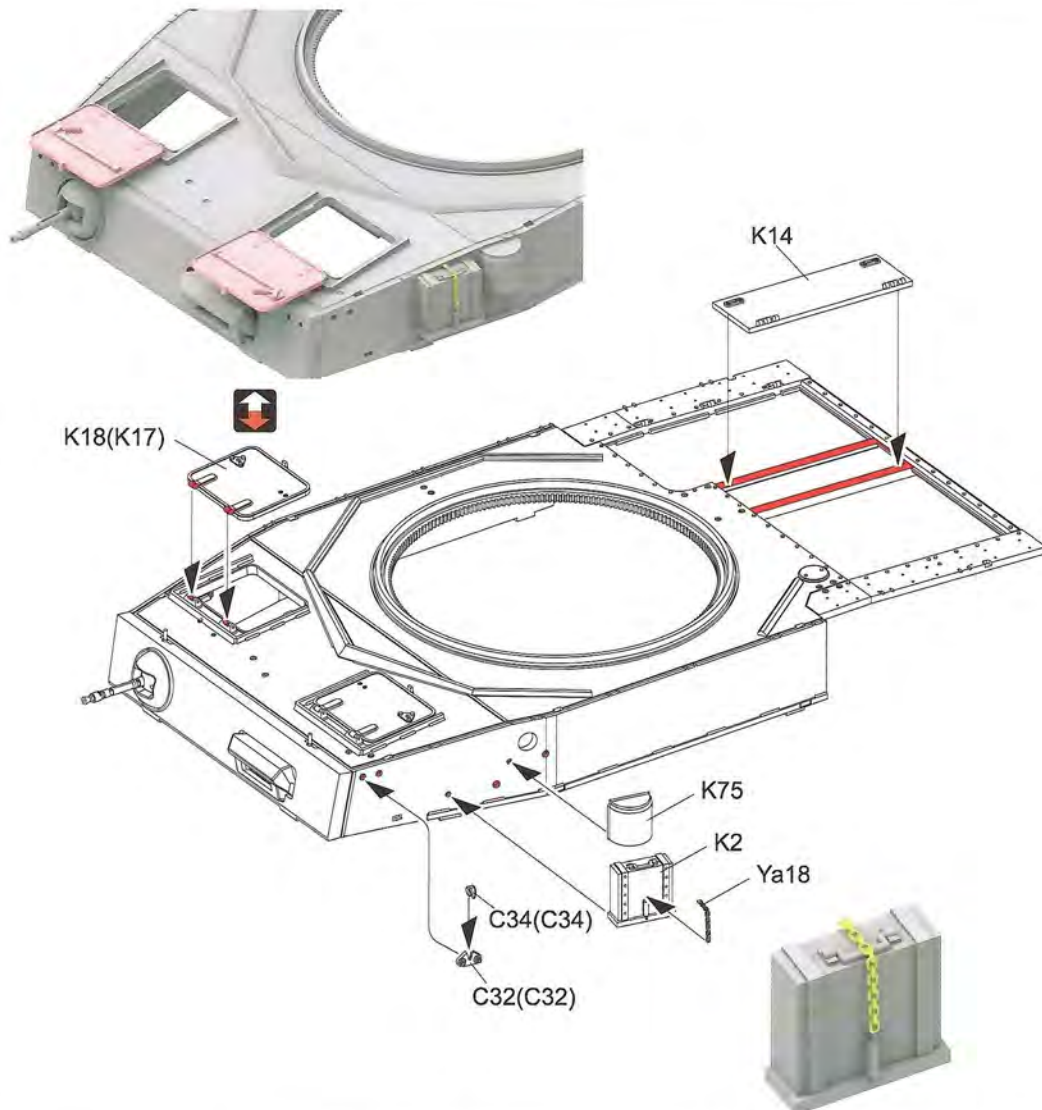
35



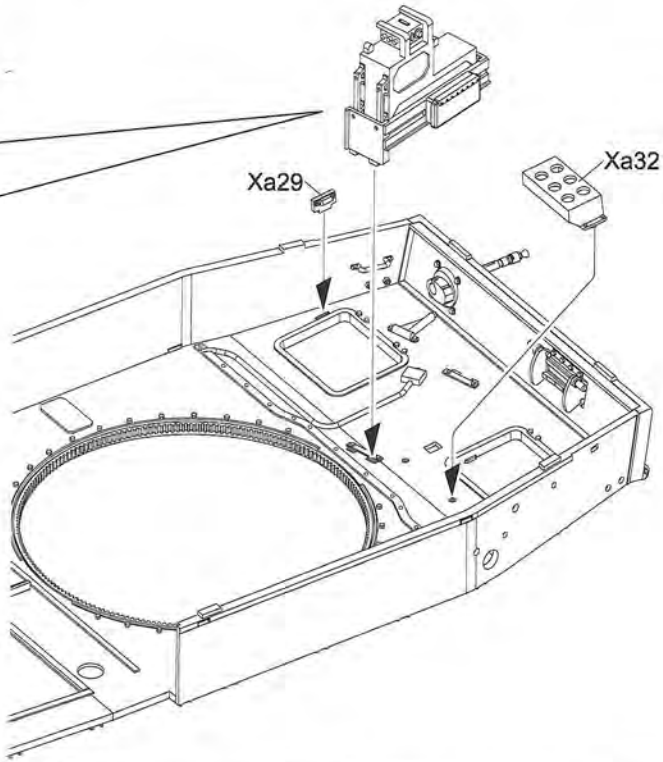
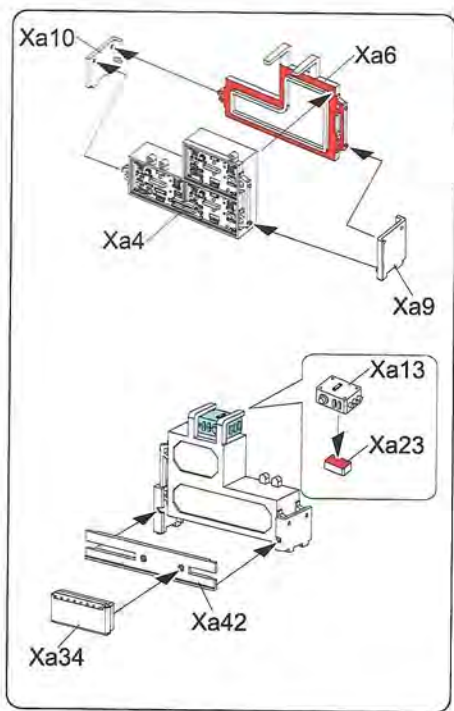
36



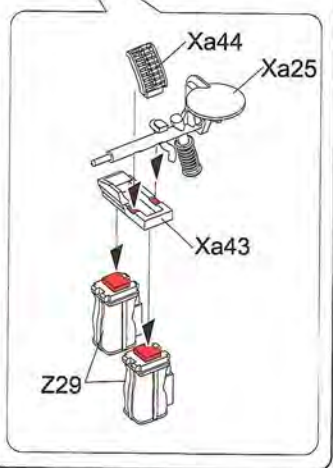
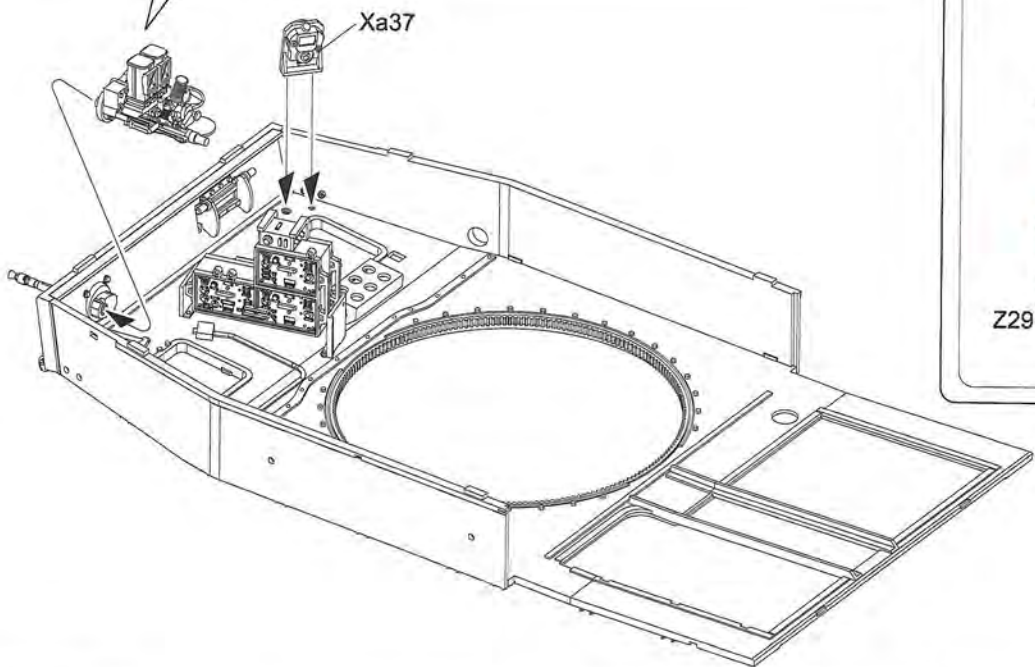
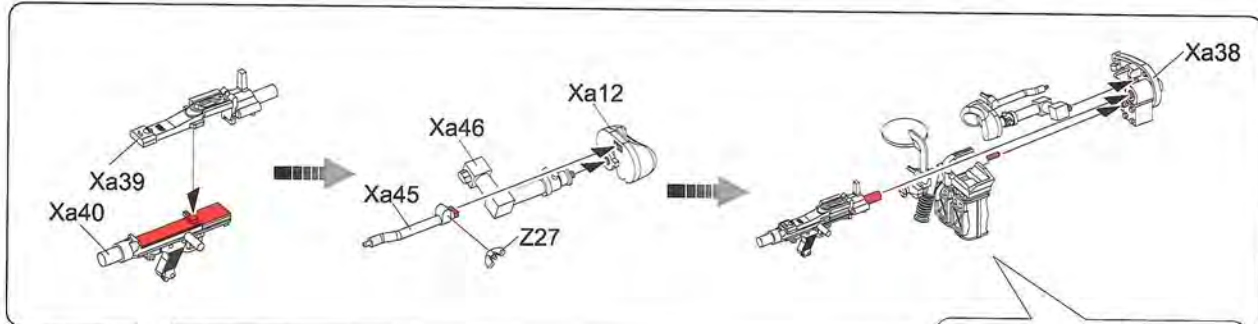
37



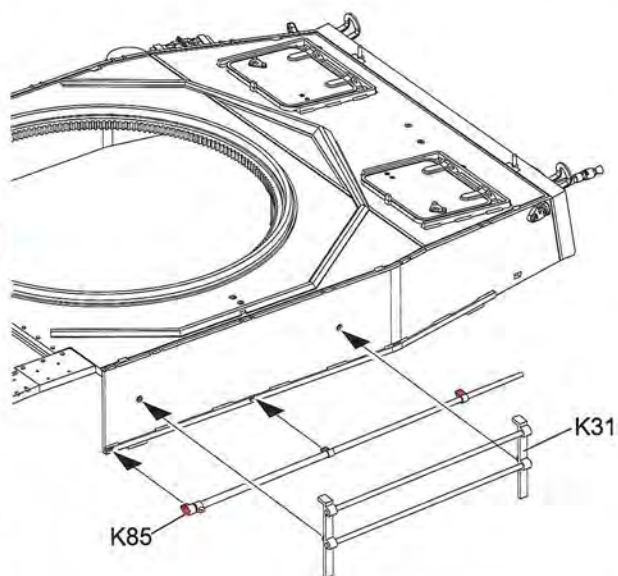
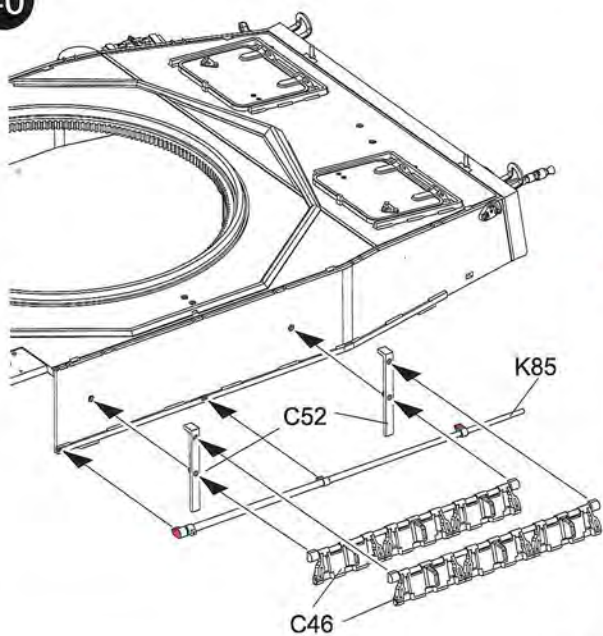
38



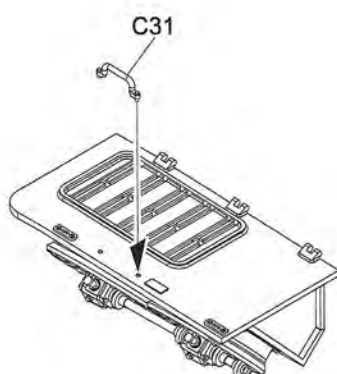
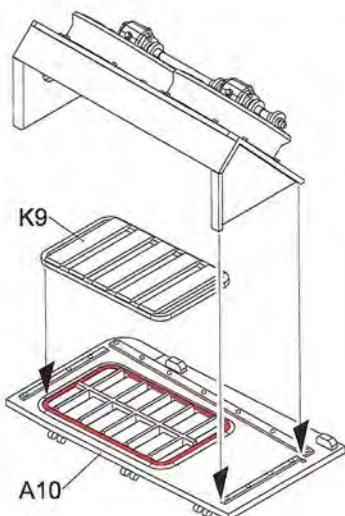
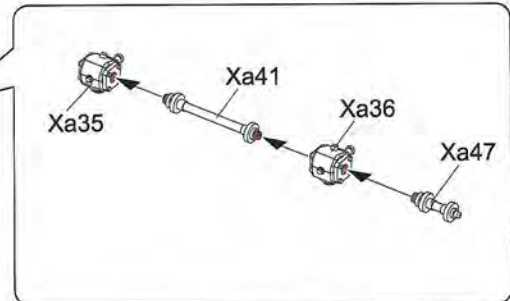
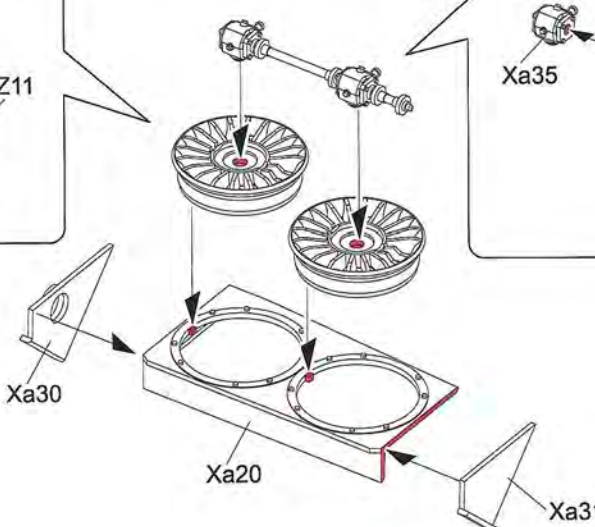
39



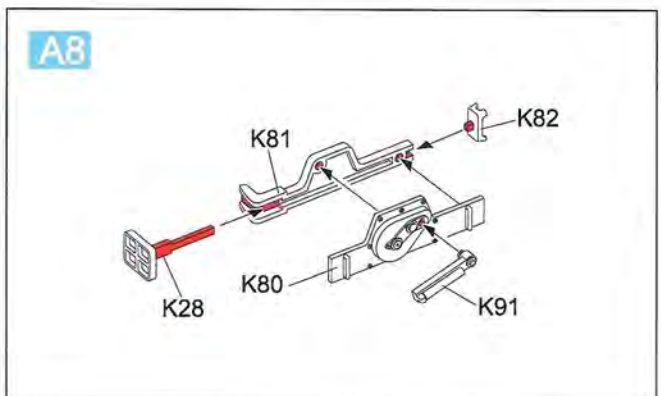
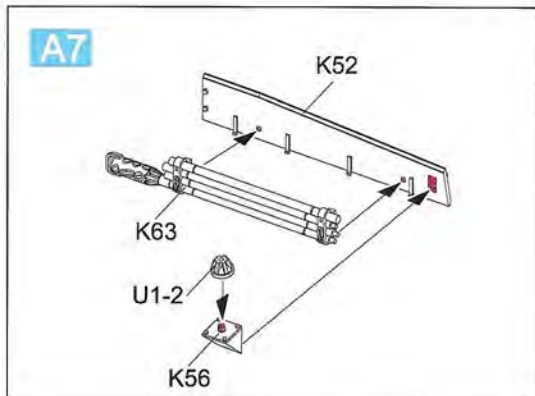
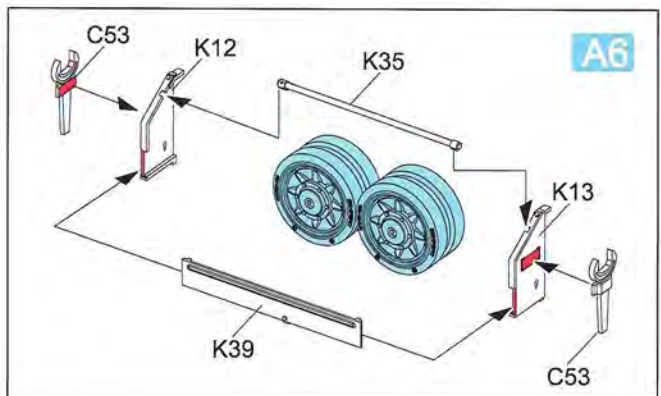
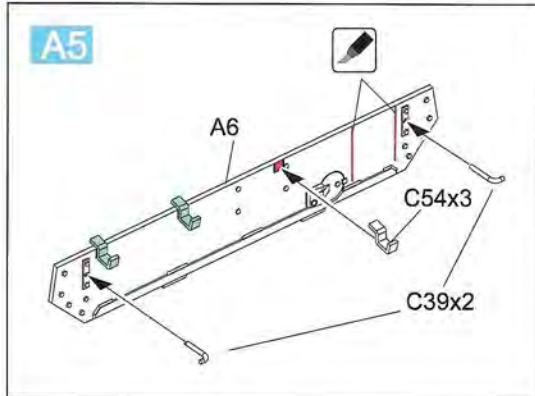
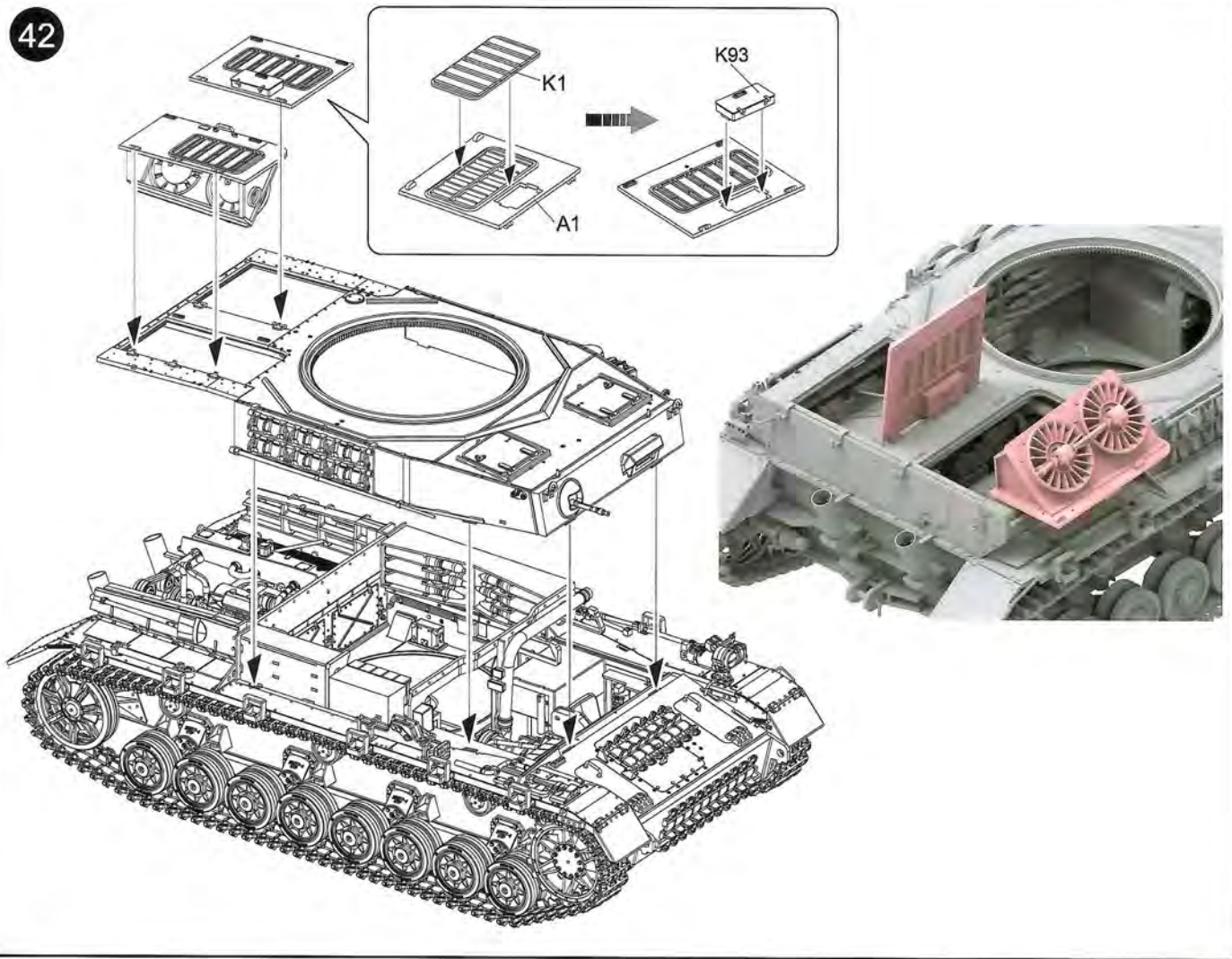
40



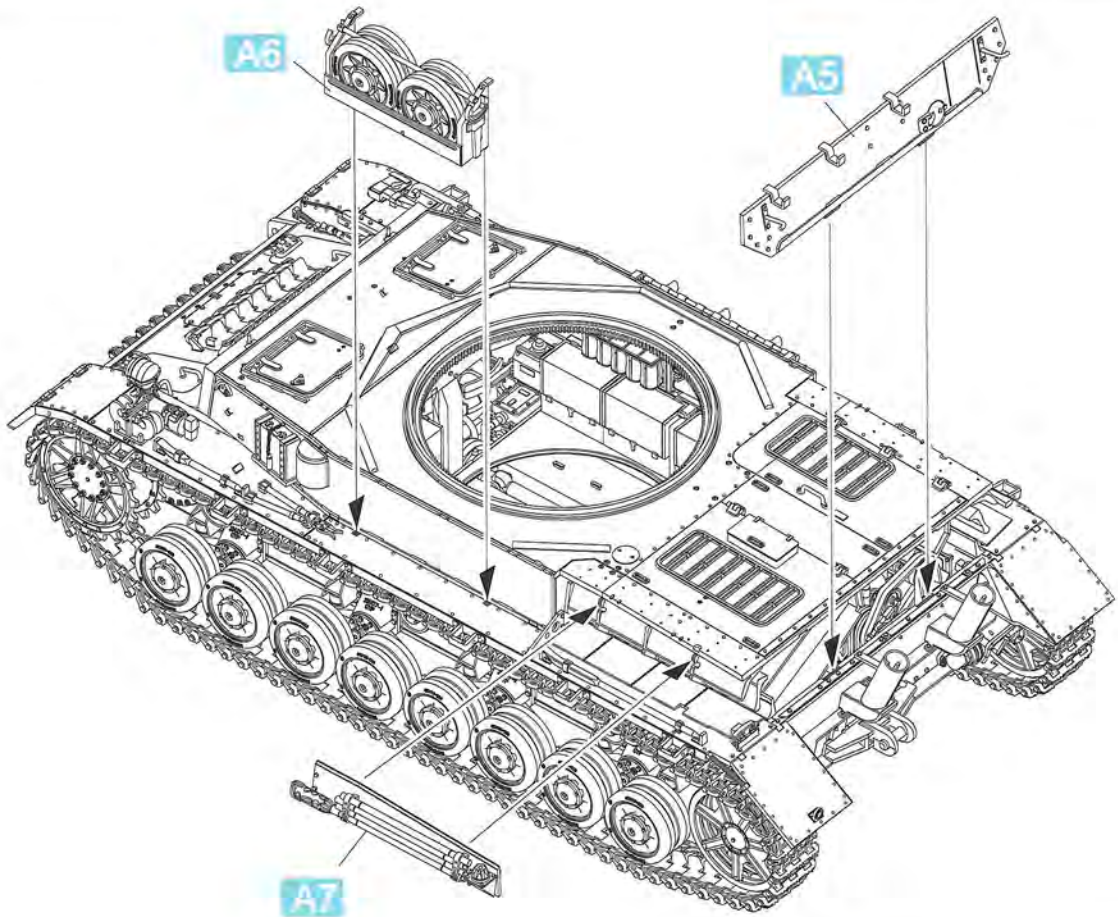
41



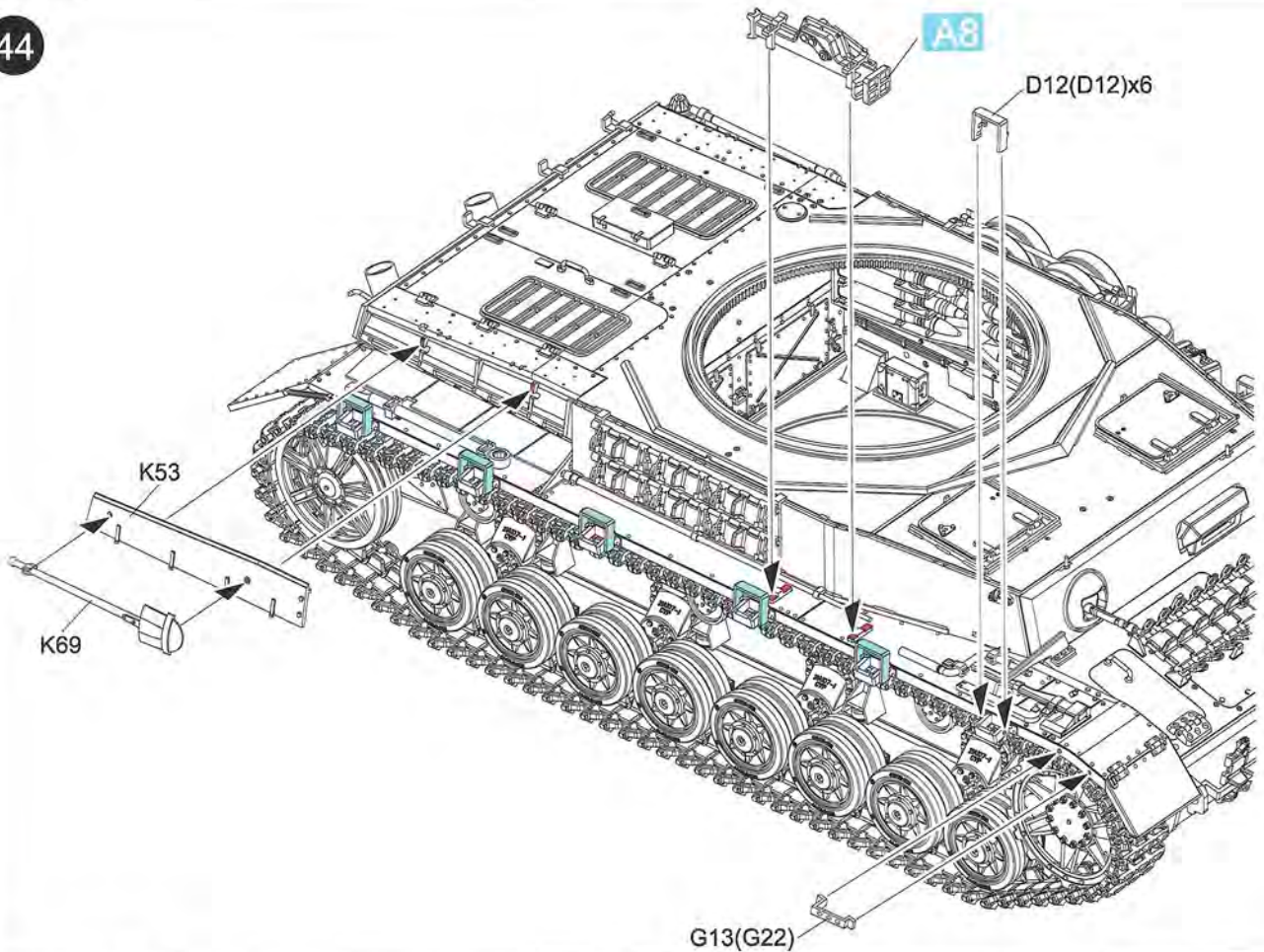
42



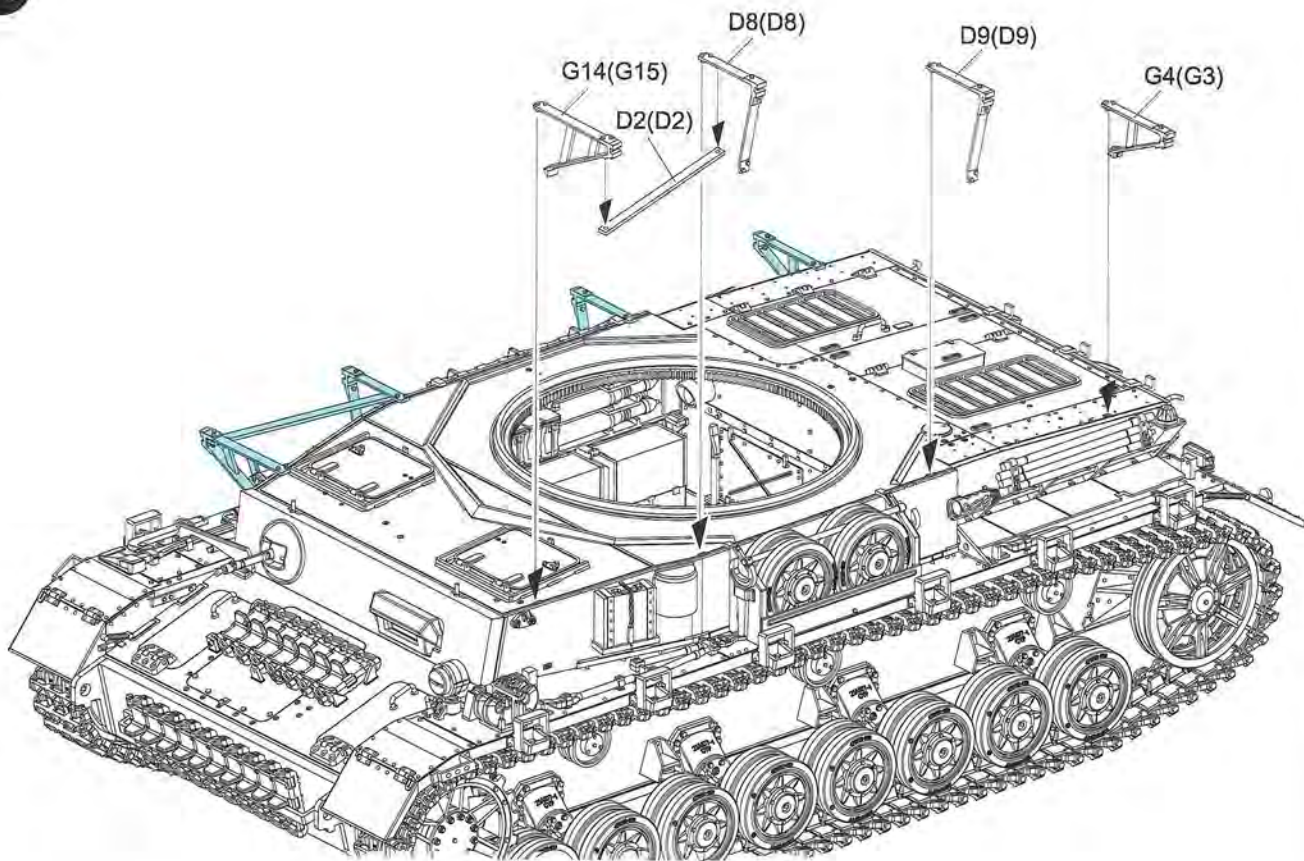
43



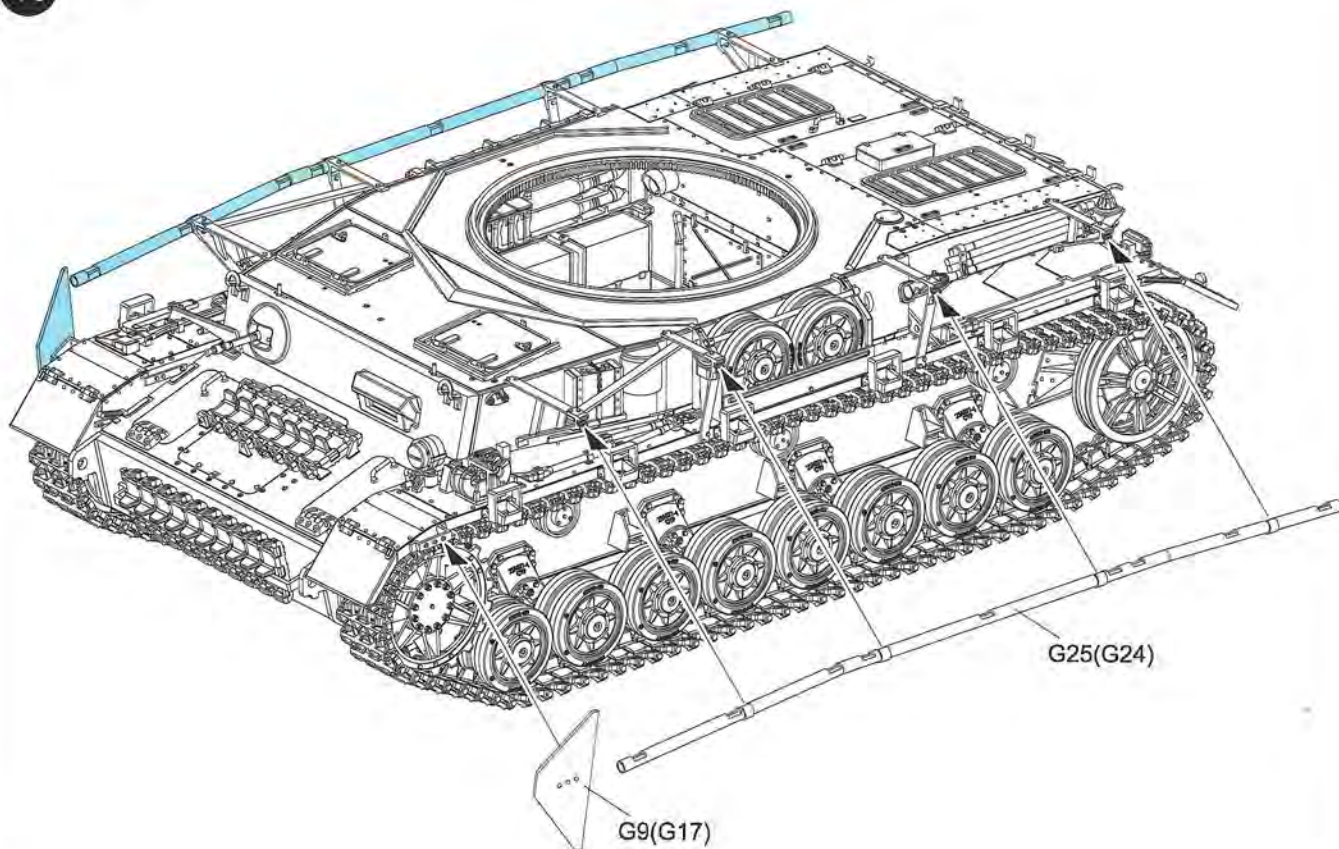
44

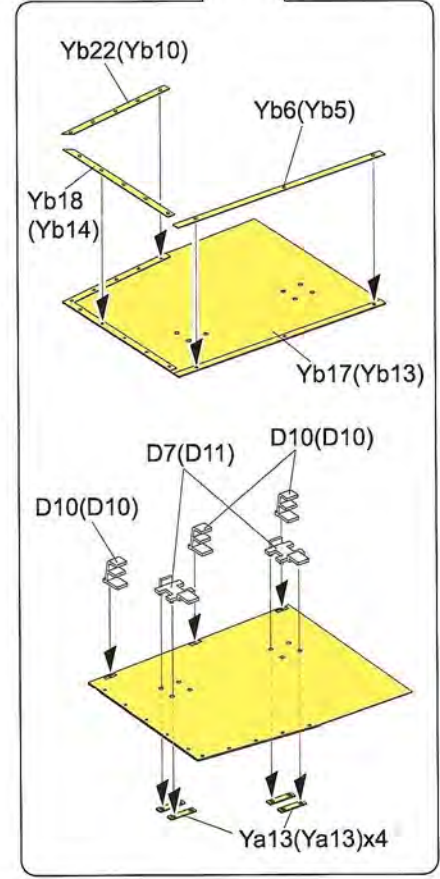
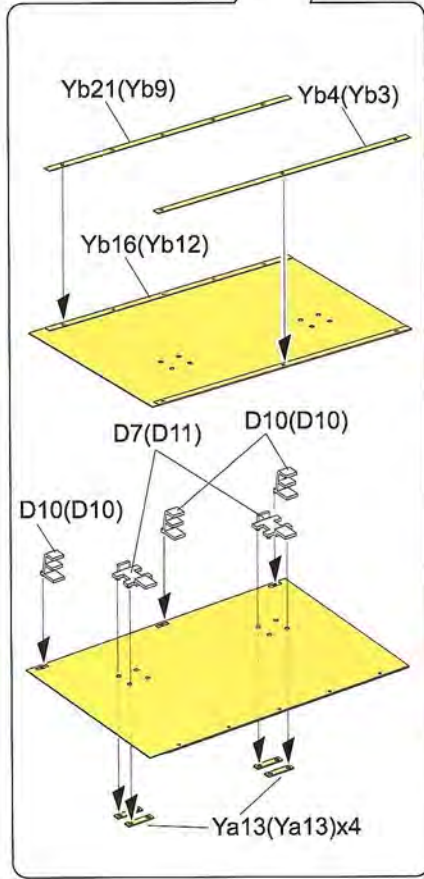
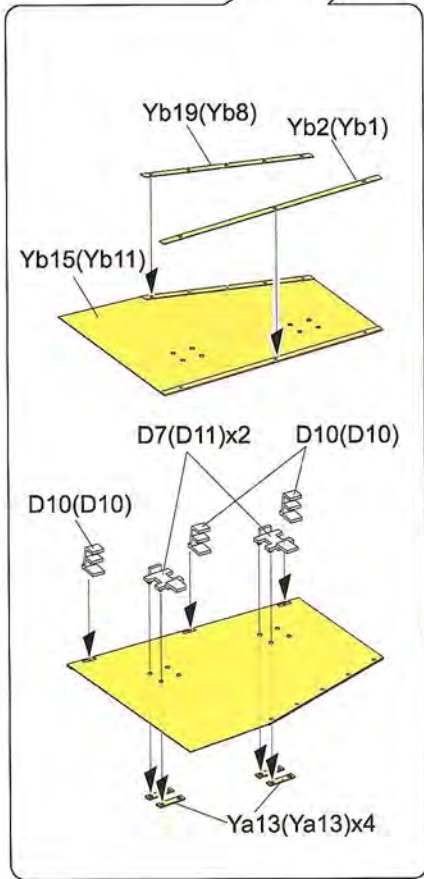
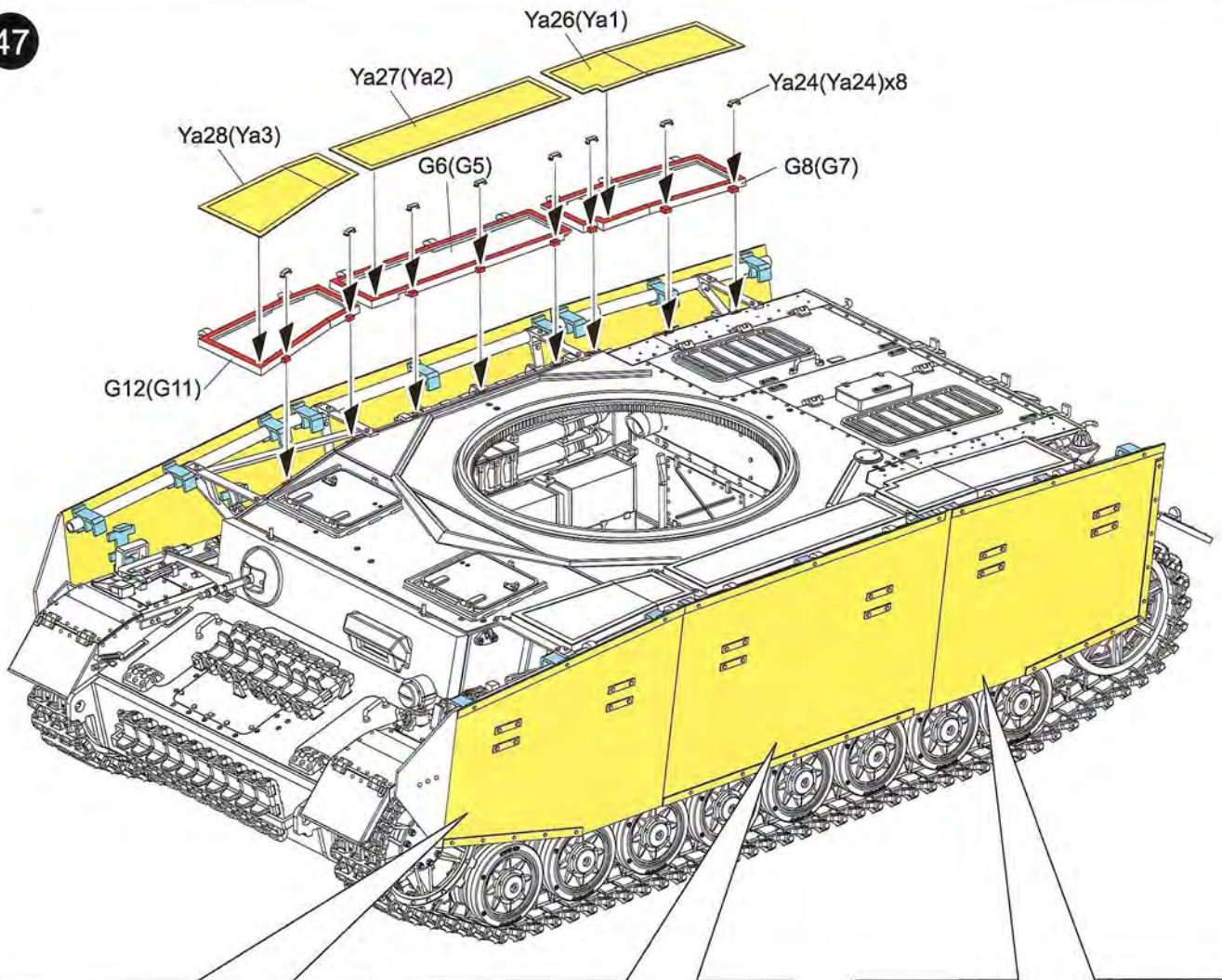


45

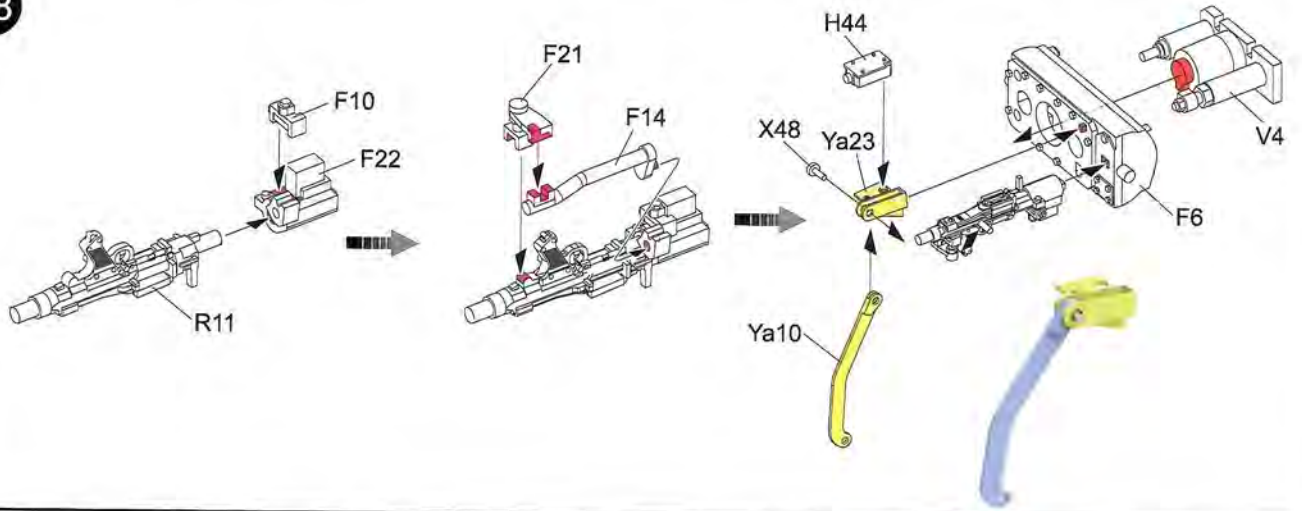


46

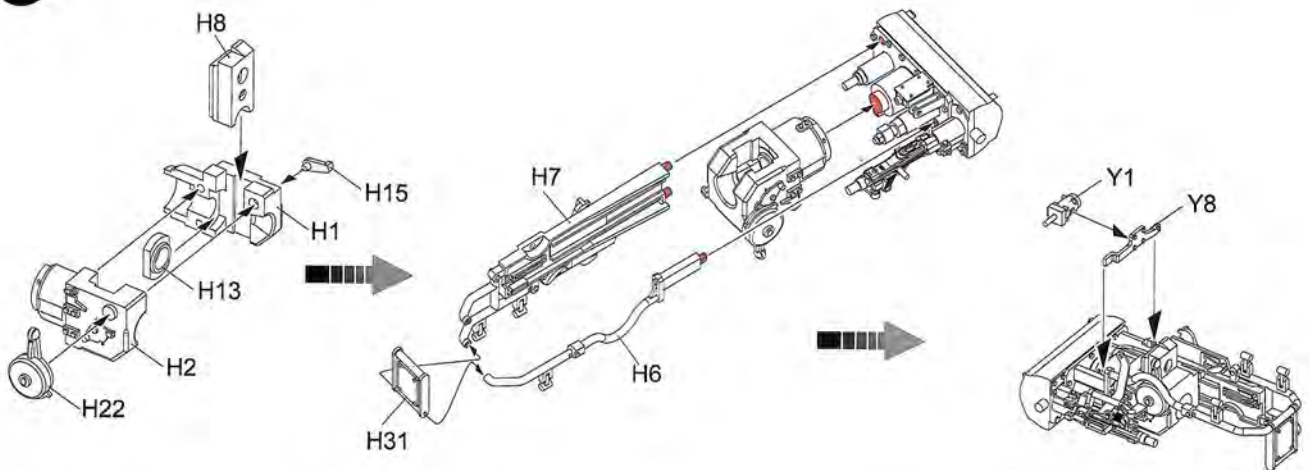




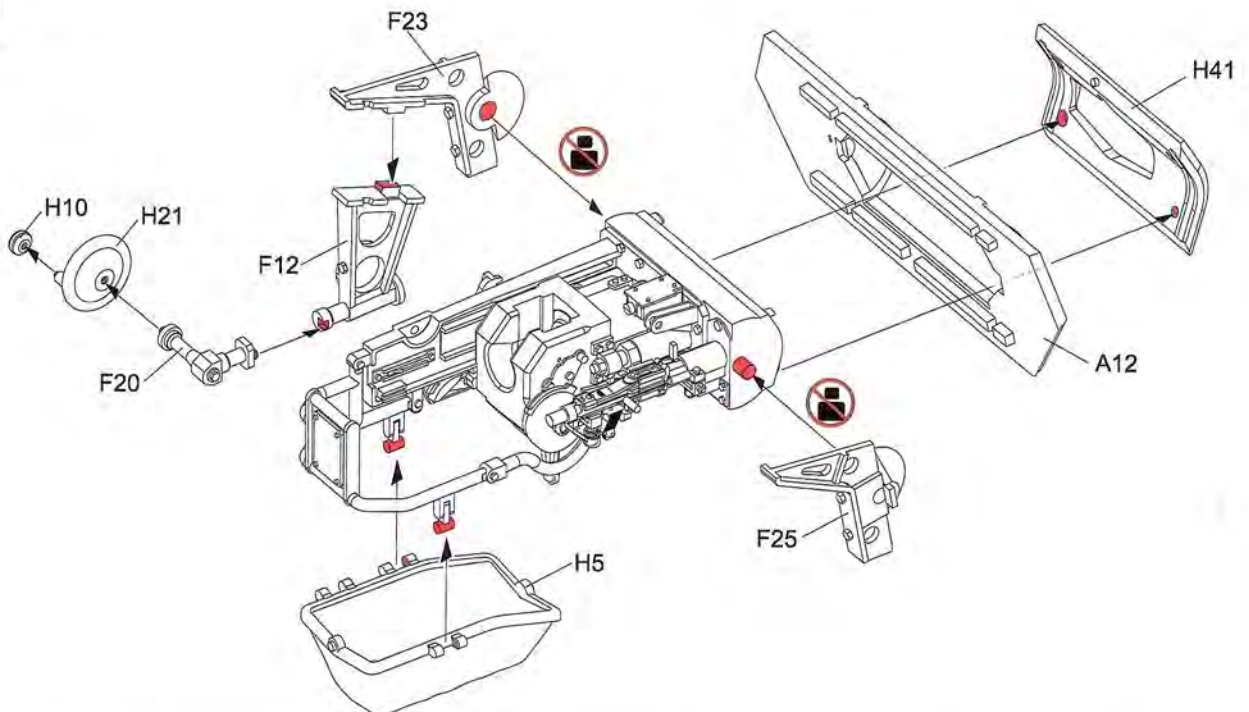
48



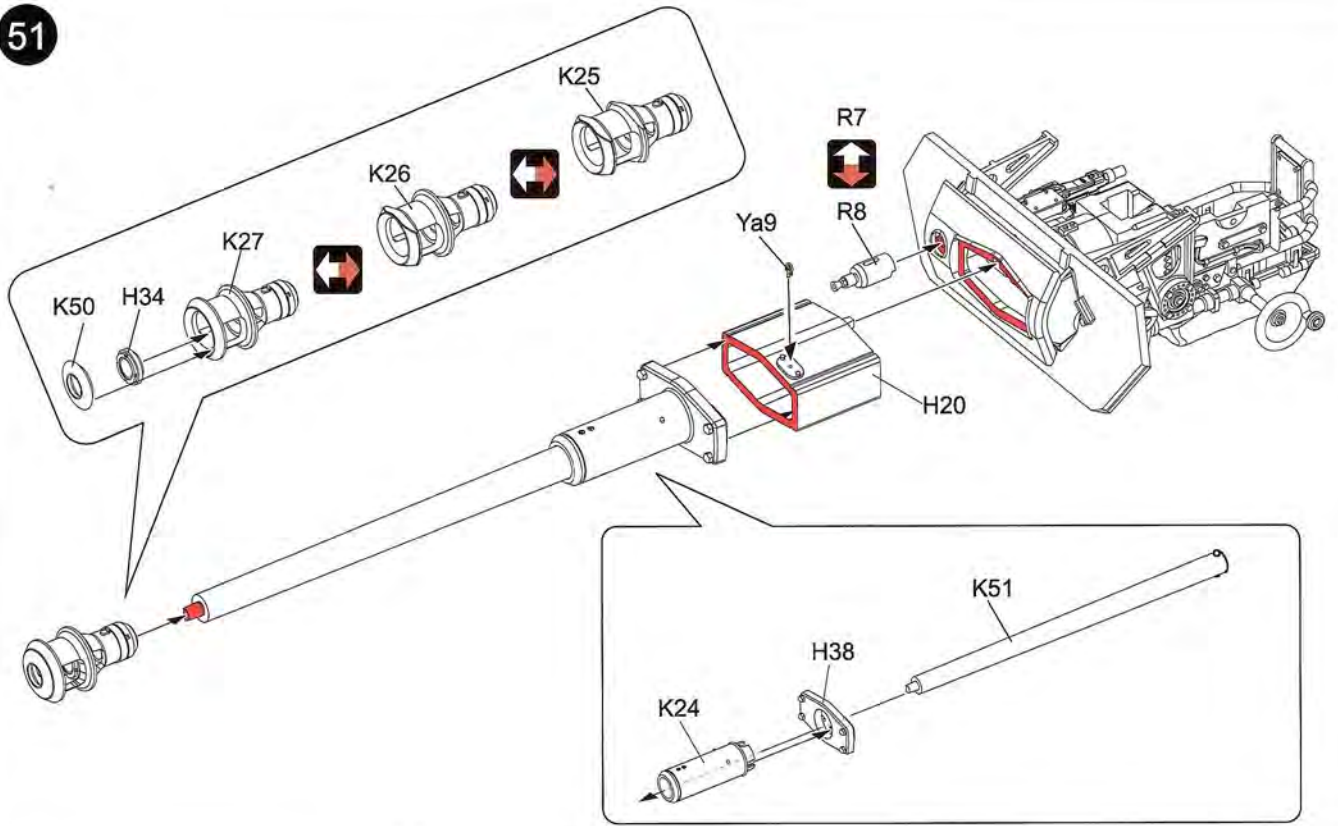
49



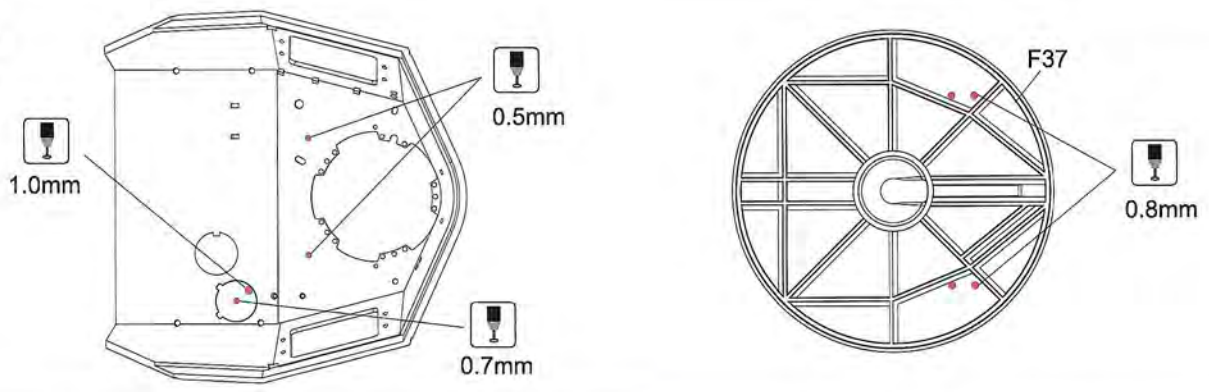
50



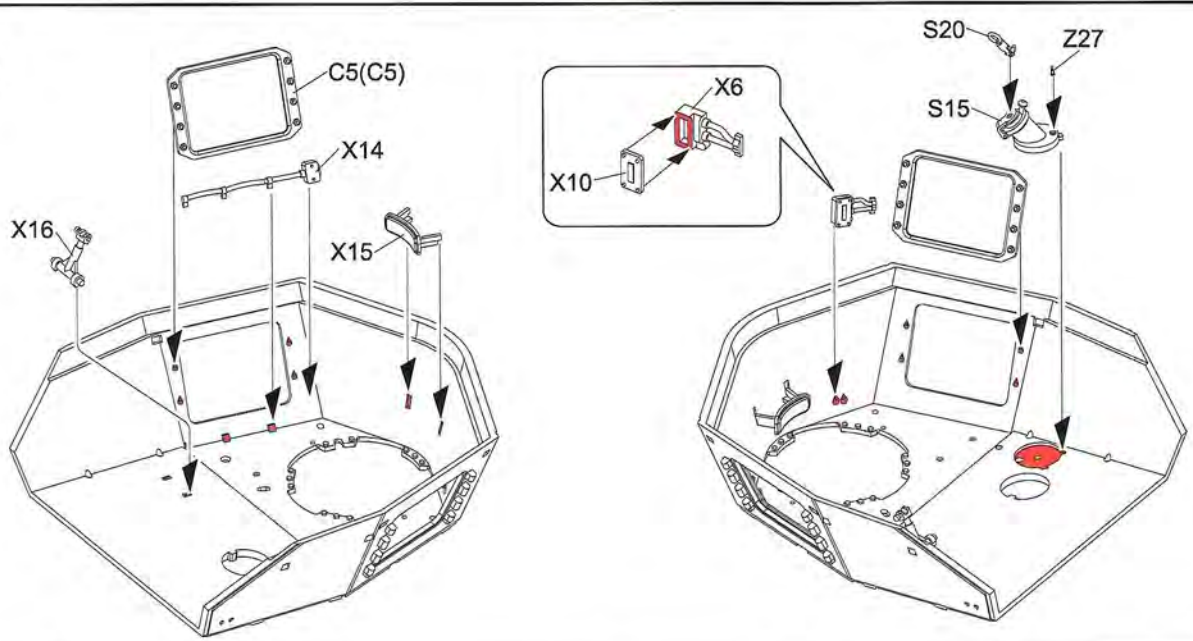
51



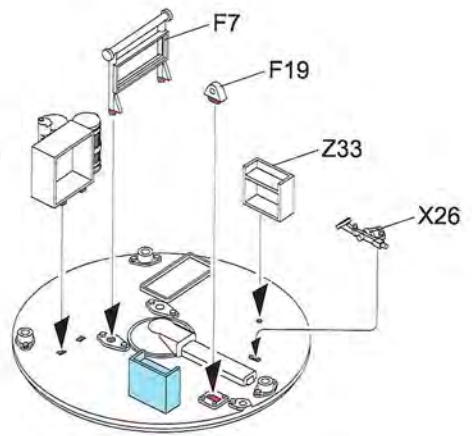
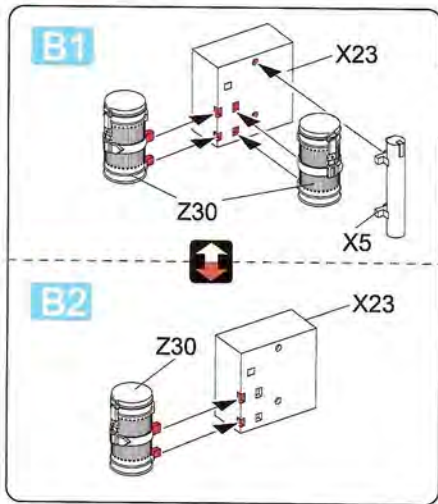
52



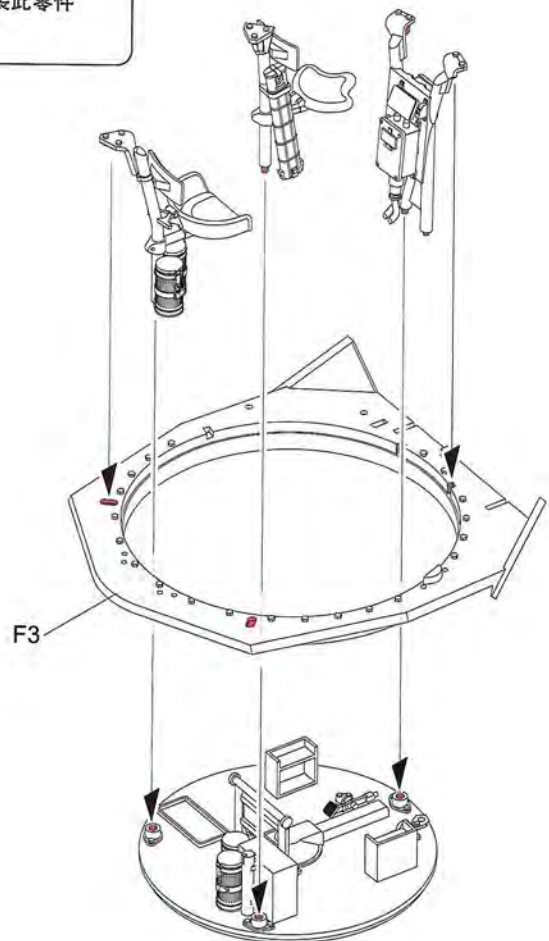
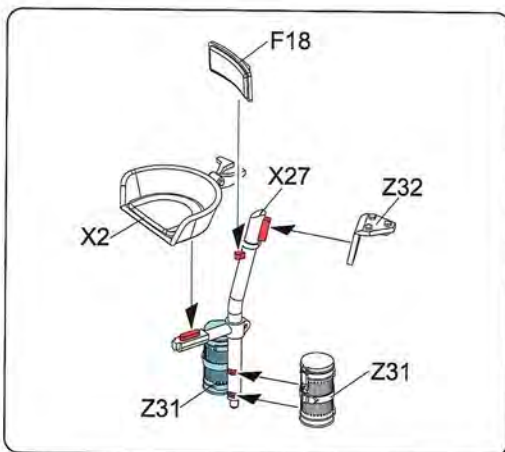
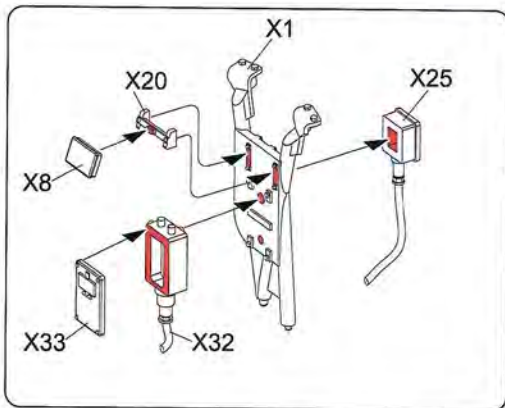
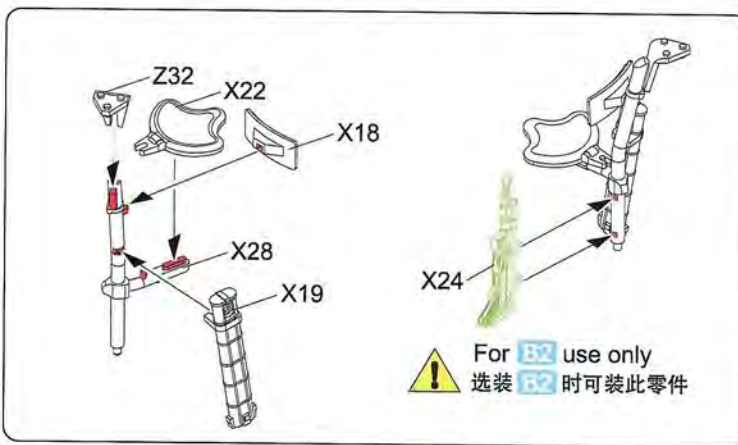
53



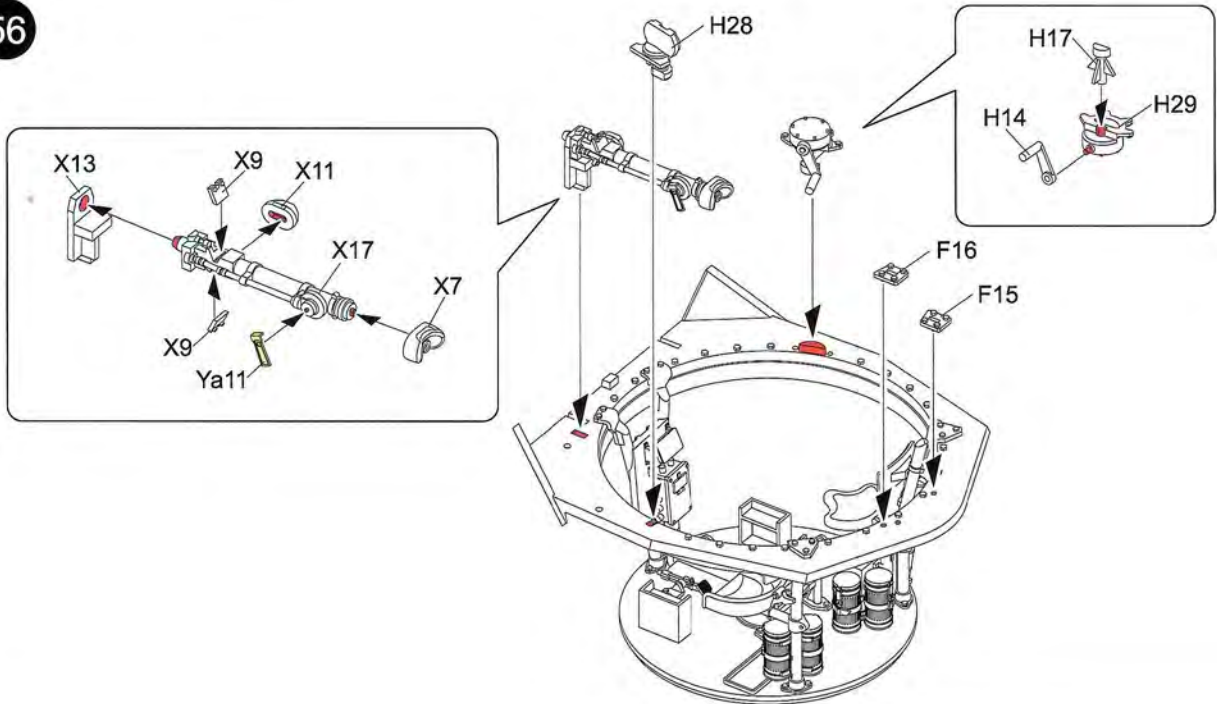
54



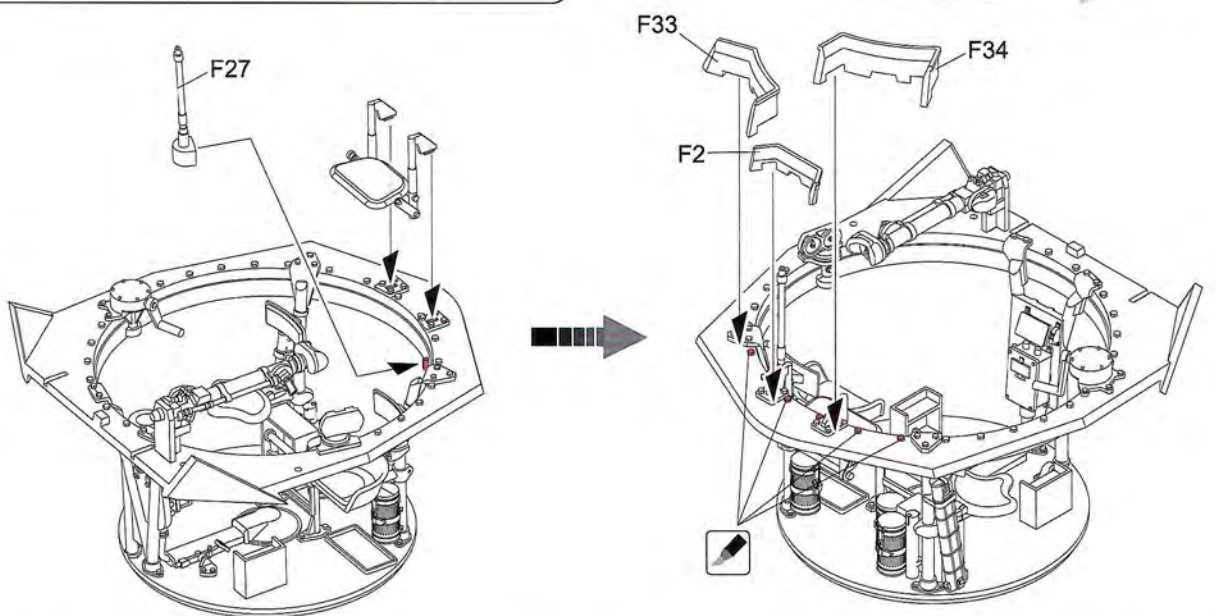
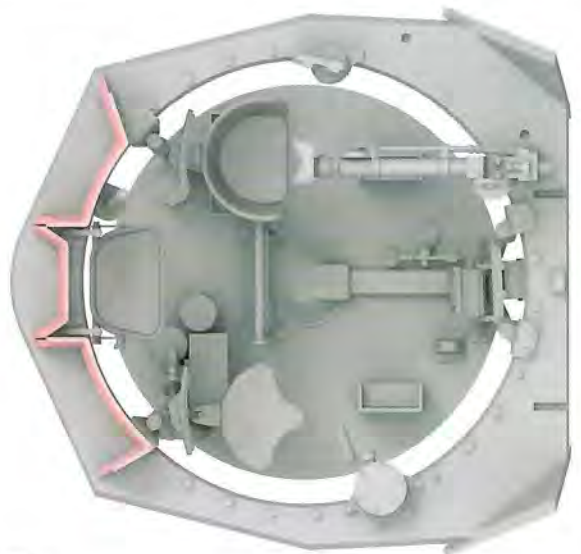
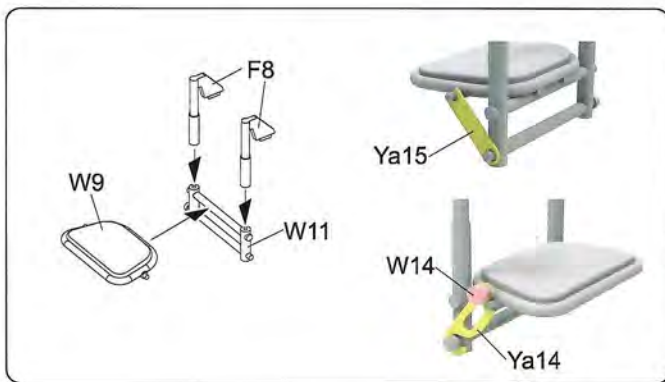
55



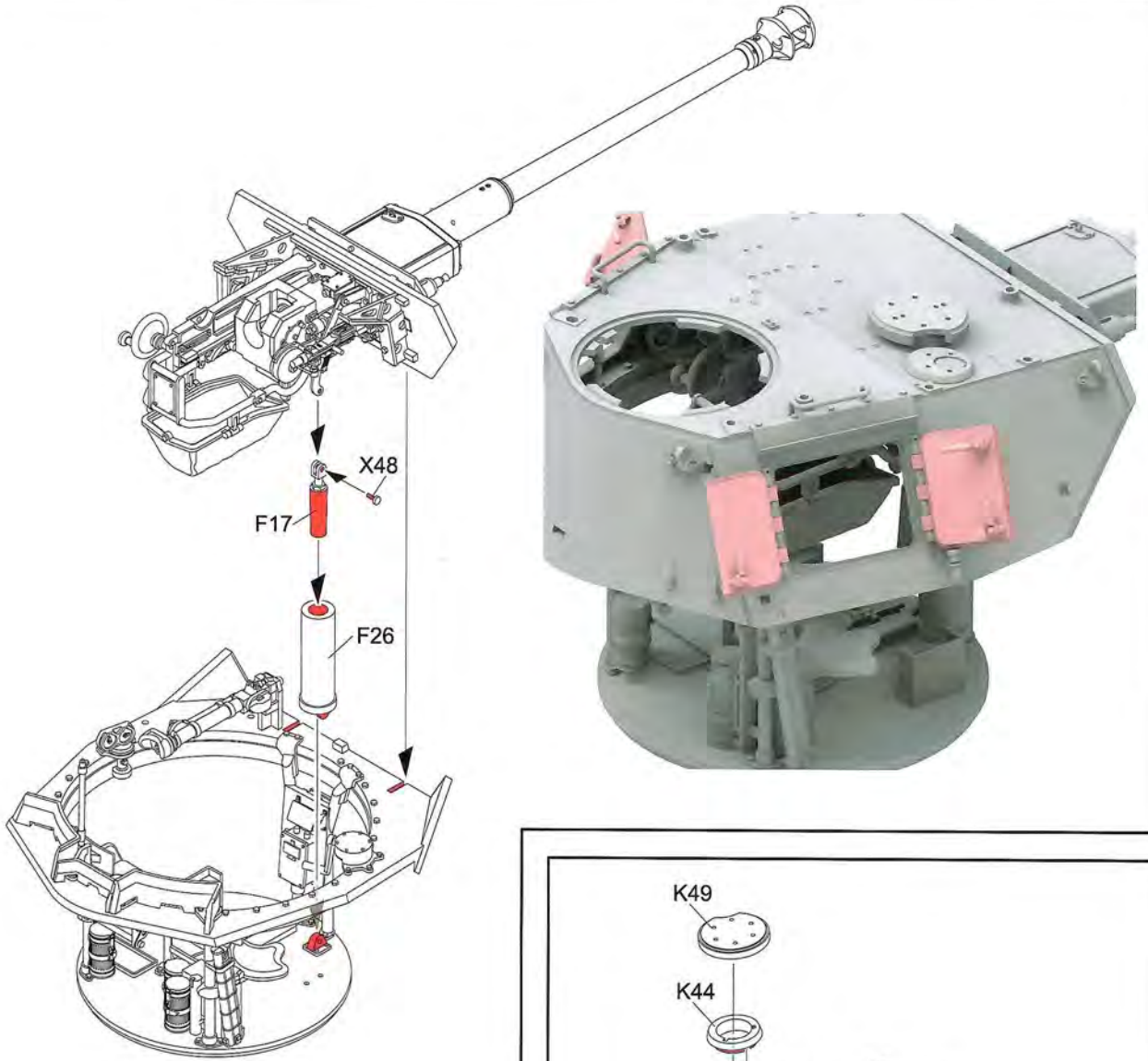
56



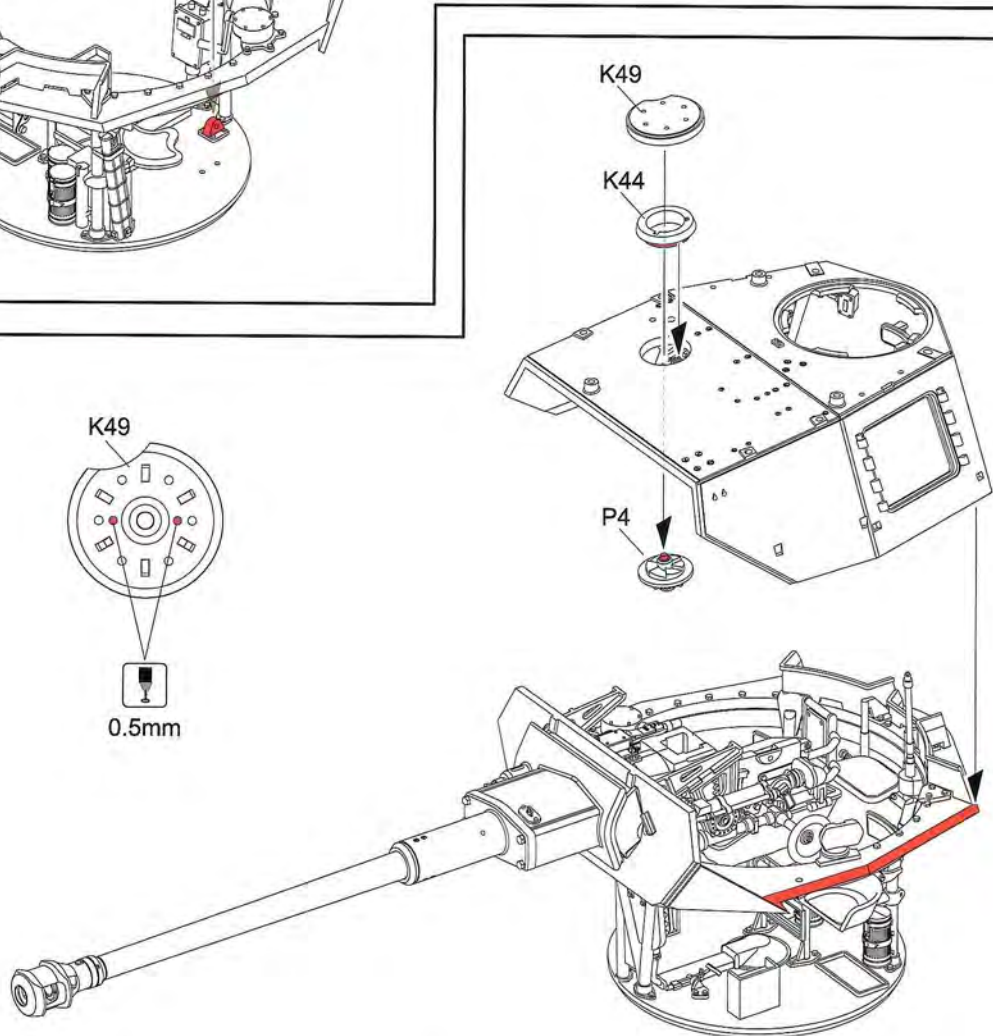
57



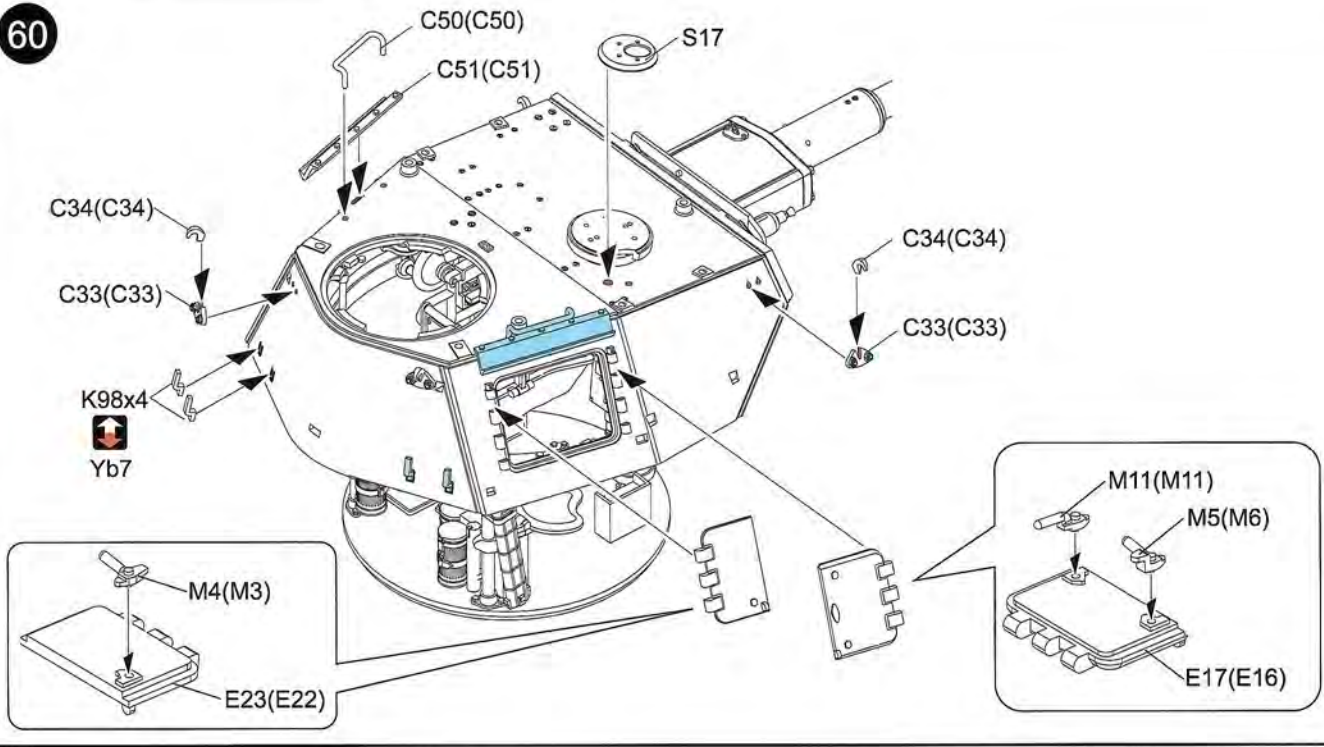
58



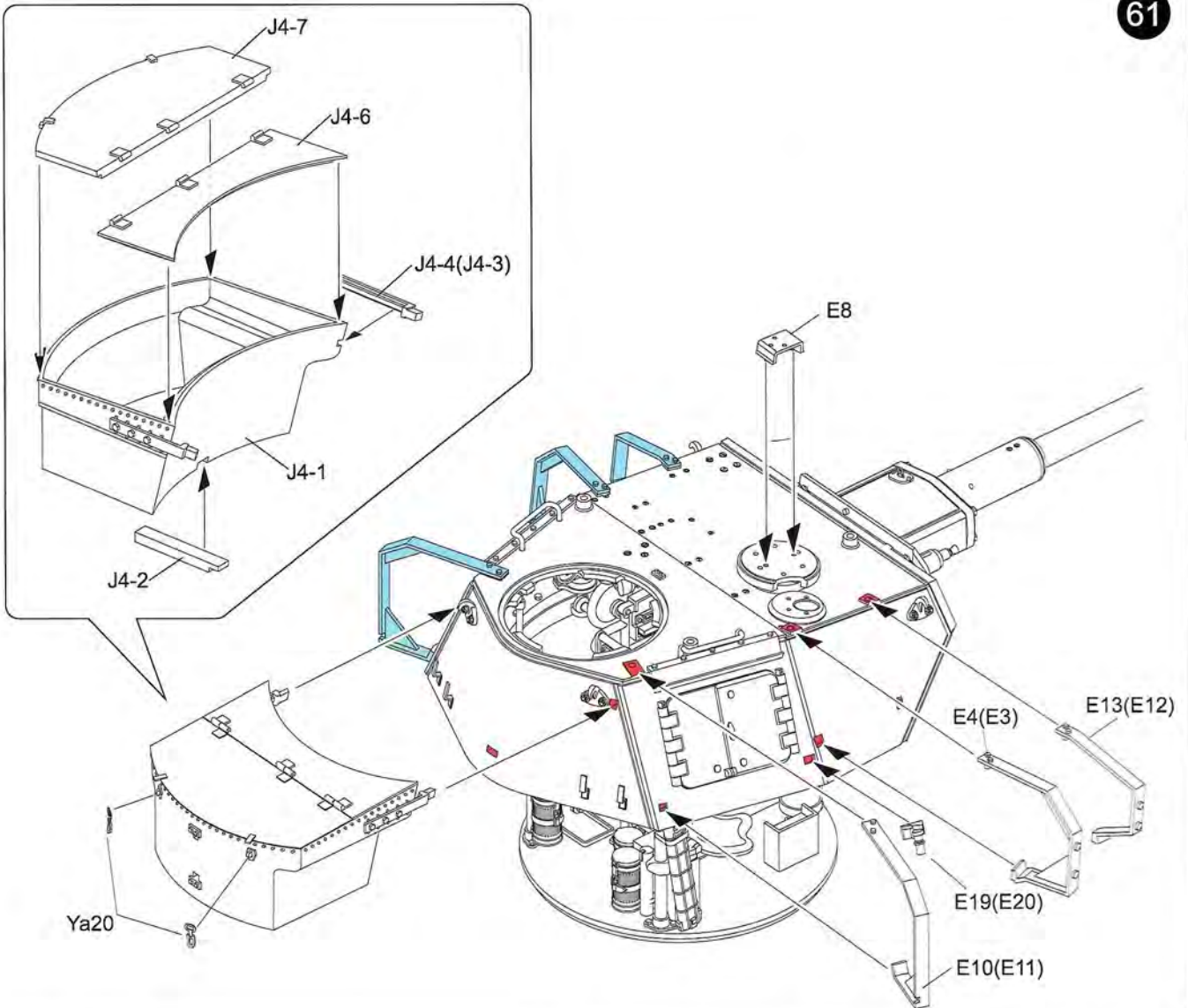
59

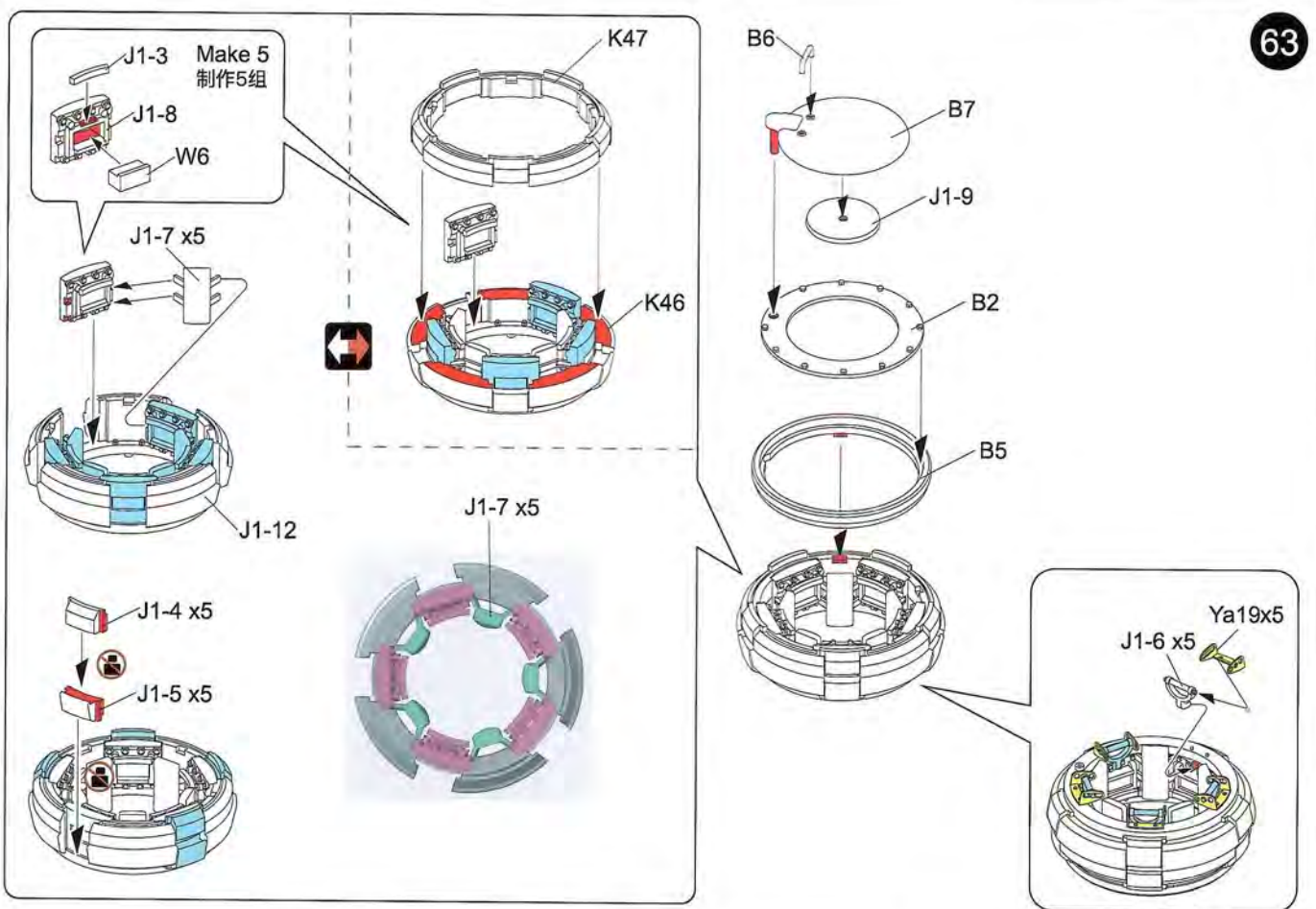
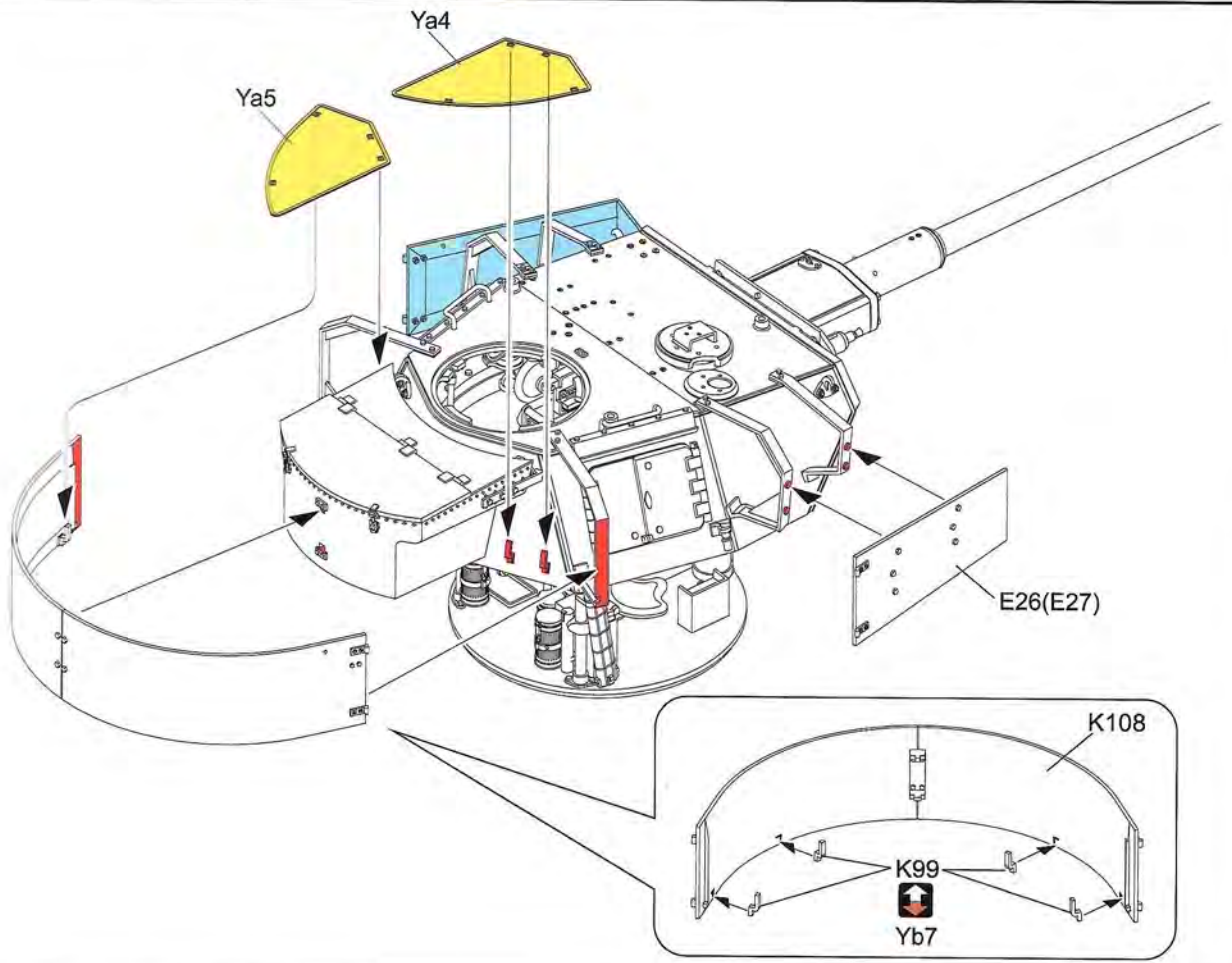


60

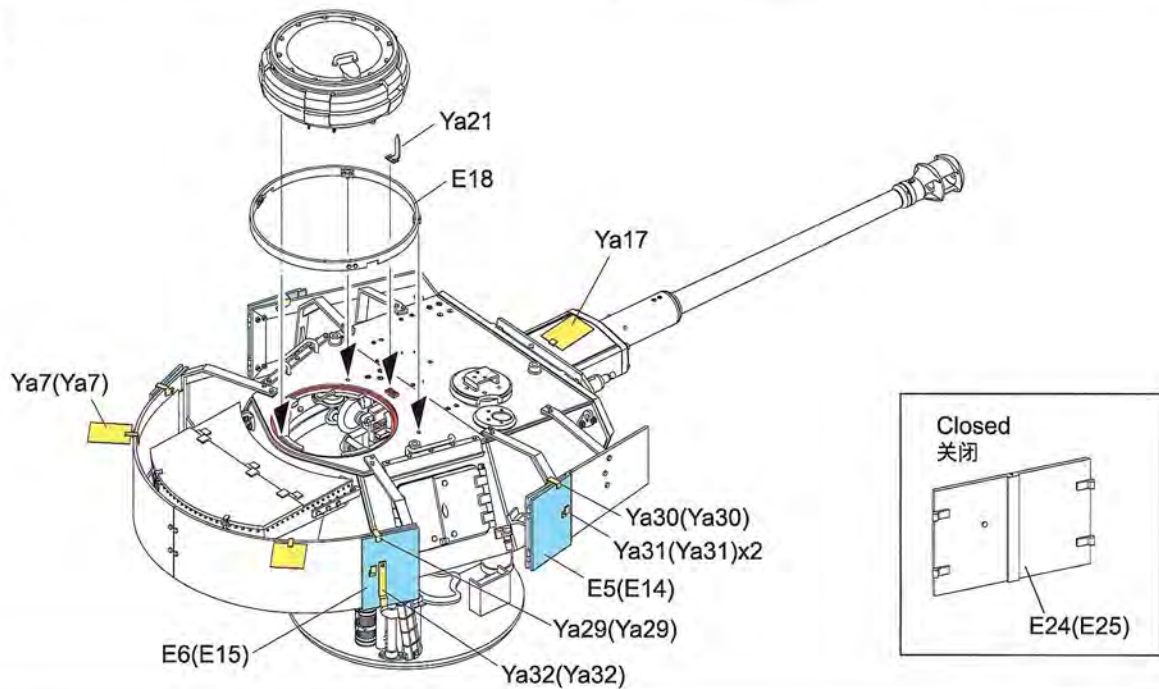


61

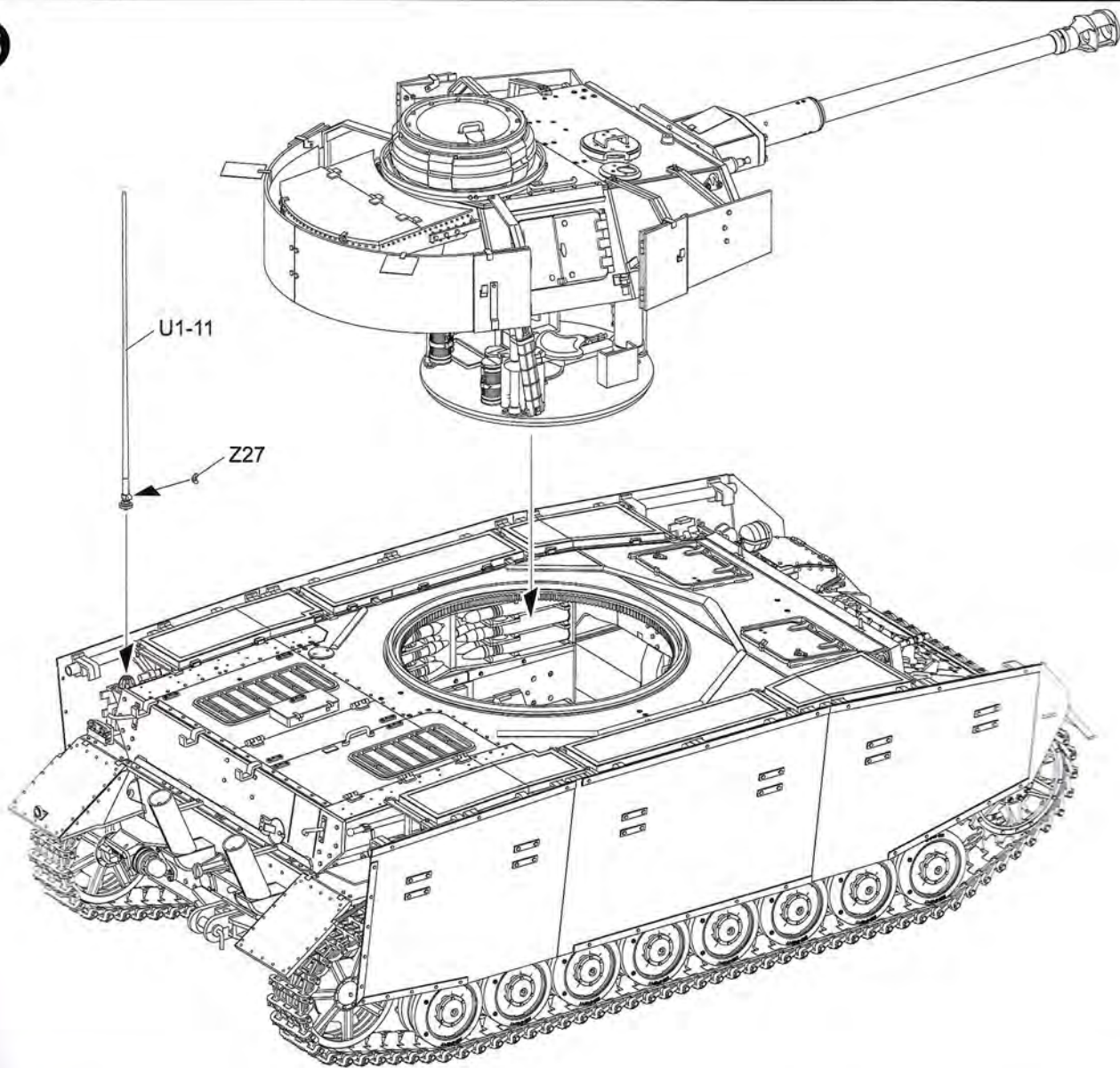




64







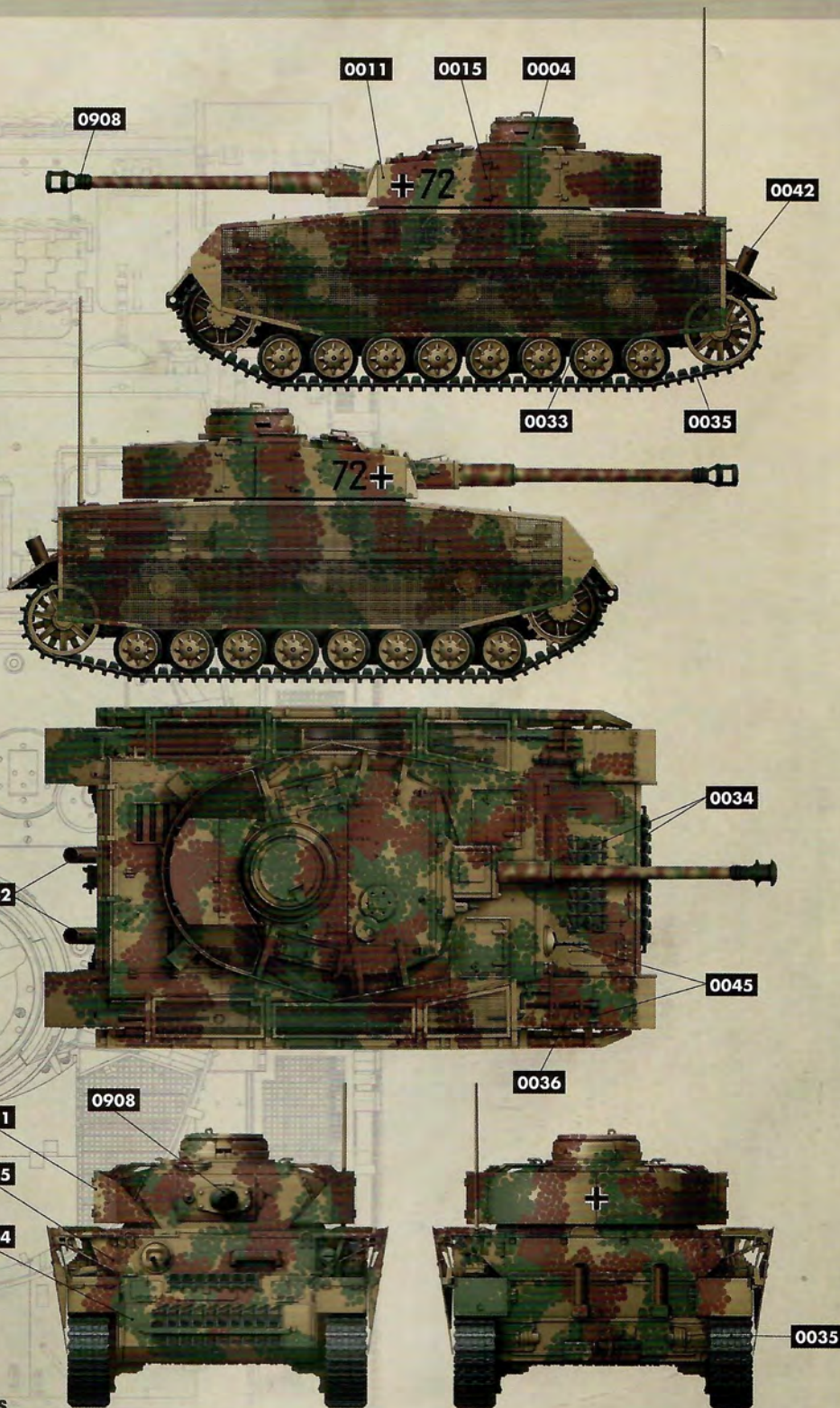
65



Pz IV Ausf. J Late

Painting and Marking Guide

 A.MIG-0035 Dark Tracks	 A.MIG-0034 Rust Tracks	 A.MIG-0033 Rubber & Tires	 A.MIG-0042 Old Rust
 A.MIG-0045 Gun Metal	 A.MIG-0036 Old Wood	 A.MIG-0011 RAL 7028 Dunkelgelb Aus '44 DG1	 A.MIG-0015 RAL 8017 Schokobraun
 A.MIG-0004 RAL 6011 B Resedagrün	 A.MIG-0908 Dunkelgrau Base		



WEATHERING STEPS WITH AMMO PRODUCTS

1 GENERAL WASH A.MIG-1000 Brown Wash for Dark Yellow	3 STREAKING A.MIG-1256 Streakingbrusher Green-Grey Grime	5 RUST A.MIG-1204 Streaking Rust Effects	7 MUD A.MIG-1705 Wet Mud	9 FUEL A.MIG-1409 Fuel Stains
2 FILTER A.MIG-1510 Tan for 3 Tone Camo	4 TRACKS WASH A.MIG-1002 Tracks Wash	6 DUST A.MIG-3004 Europe Earth	8 SPLASHES A.MIG-1754 Damp Earth	10 OIL A.MIG-1408 Fresh Engine Oil

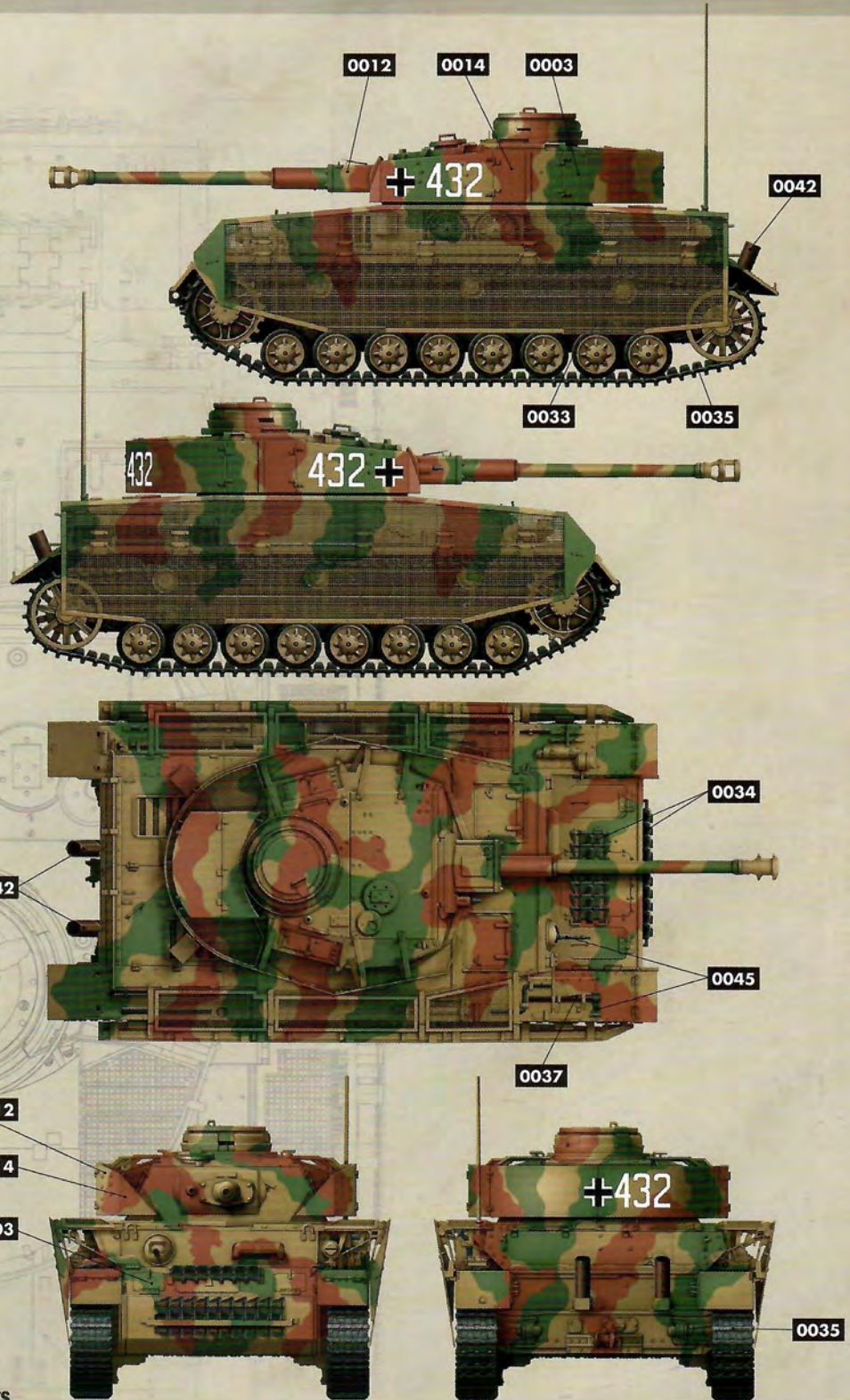
Pz IV Ausf. J Late

Painting and Marking Guide

www.migjimenez.com



- A.MIG-0035 Dark Tracks
- A.MIG-0034 Rust Tracks
- A.MIG-0033 Rubber & Tires
- A.MIG-0042 Old Rust
- A.MIG-0045 Gun Metal
- A.MIG-0037 New Wood
- A.MIG-0012 RAL 7028 Dunkelgelb Aus '44 DG III
- A.MIG-0014 RAL 8012 Rotbraun
- A.MIG-0003 RAL 6011 Resedagrün



WEATHERING STEPS WITH AMMO PRODUCTS

- | | | | |
|---|--|--|---|
| 1 GENERAL WASH
A.MIG-1000 Brown Wash for Dark Yellow | 3 STREAKING
A.MIG-1253 Streakingbrusher Grime | 5 RUST
A.MIG-1254 Streakingbrusher Rust | 7 MUD
A.MIG-1703 Moist Ground |
| 2 FILTER
A.MIG-1510 Tan for 3 Tone Camo | 4 TRACKS WASH
A.MIG-1002 Tracks Wash | 6 DUST
A.MIG-3013 Rubble | 8 SPLASHES
A.MIG-1752 Loose Ground |
| | | | 9 FUEL
A.MIG-1409 Fuel Stains |
| | | | 10 OIL
A.MIG-1408 Fresh Engine Oil |



Pz IV Ausf. J Late

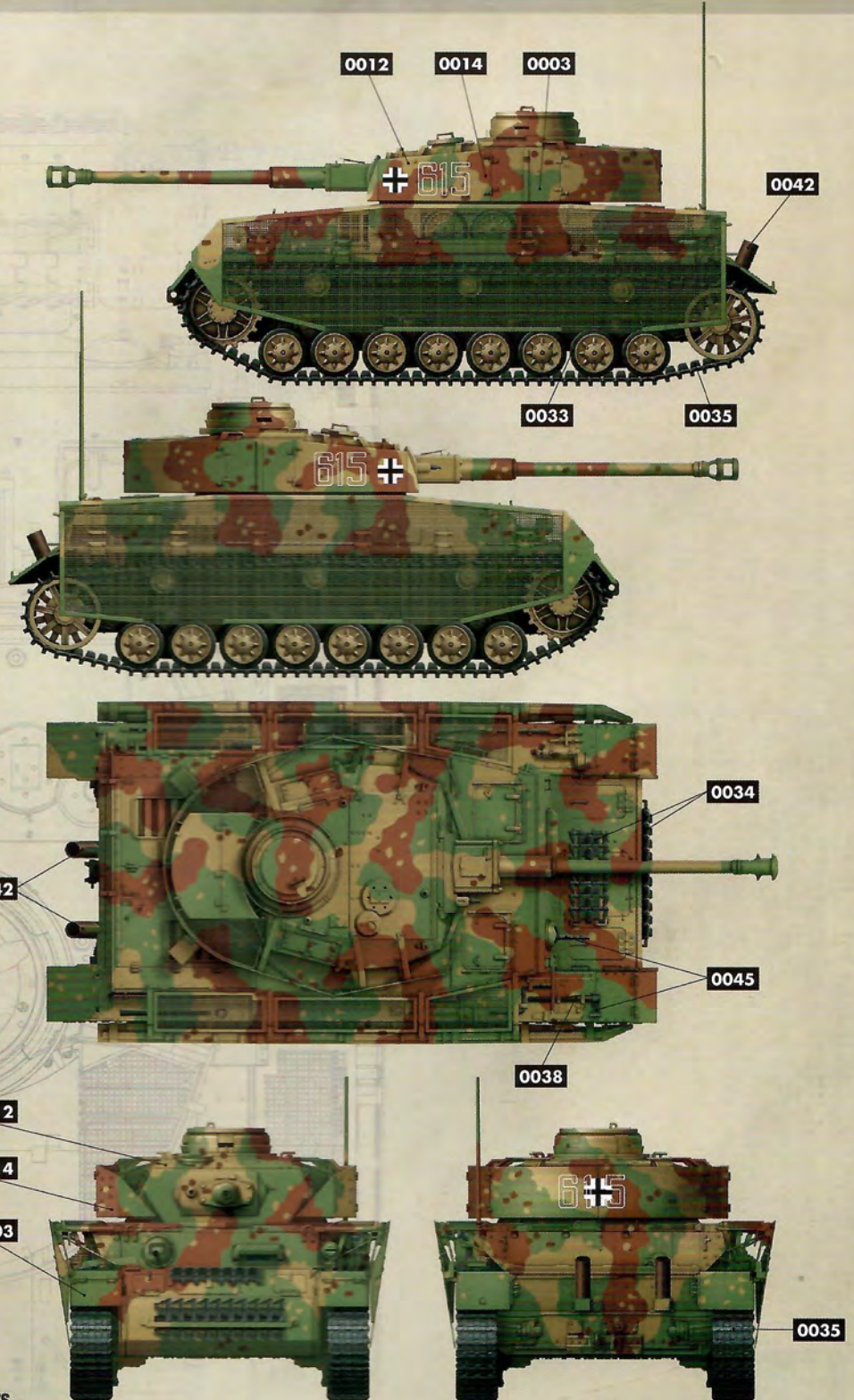
Painting and Marking Guide

www.migjimenez.com



by MIG Jimenez

- A.MIG-0035 Dark Tracks
- A.MIG-0034 Rust Tracks
- A.MIG-0033 Rubber & Tires
- A.MIG-0042 Old Rust
- A.MIG-0045 Gun Metal
- A.MIG-0038 Light Wood
- A.MIG-0012 RAL 7028 Dunkelgelb Aus '44 D6 III
- A.MIG-0014 RAL 8012 Rotbraun
- A.MIG-0003 RAL 6011 Resedagrün

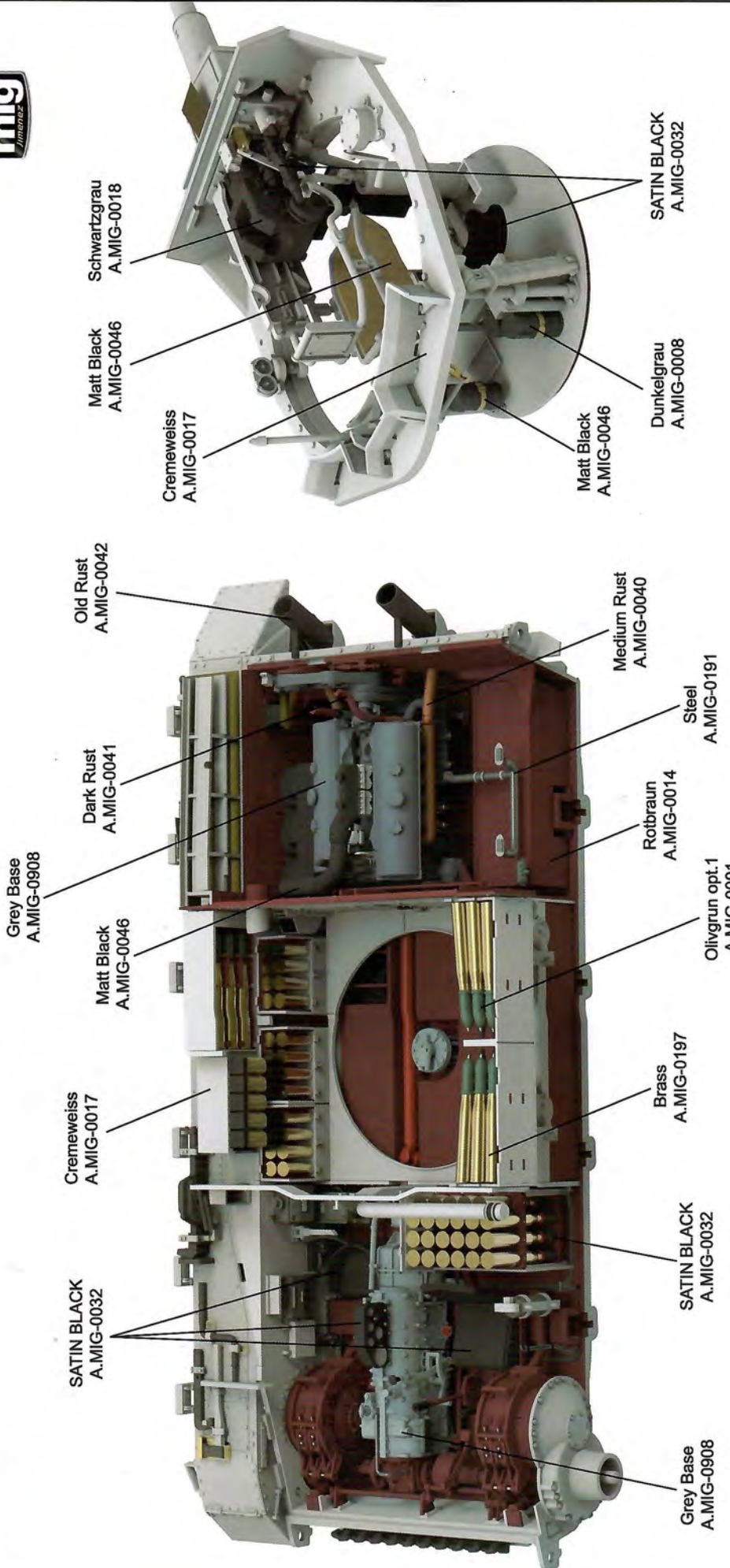


WEATHERING STEPS WITH AMMO PRODUCTS

- | | | | |
|---|---|---|---|
| 1 GENERAL WASH
A.MIG-1005 Dark Brown Wash for Green Vehicles | 3 STREAKING
A.MIG-1203 Streaking Grime | 5 RUST
A.MIG-1204 Streaking Rust Effects | 7 MUD
A.MIG-1704 Heavy Earth |
| 2 FILTER
A.MIG-1510 Tan for 3 Tone Camo | 4 TRACKS WASH
A.MIG-1002 Tracks Wash | 6 DUST
A.MIG-3004 Europe Earth | 8 SPLASHES
A.MIG-1753 Turned Dirt |
| | | | 9 FUEL
A.MIG-1409 Fuel Stains |
| | | | 10 OIL
A.MIG-1408 Fresh Engine Oil |

1/35 SCALE
5043
 MINDY MINIATURES SCULPT

Color info and profiles
 by



SATIN BLACK
 A.MIG-0032

Cremeweiss
 A.MIG-0017

Matt Black
 A.MIG-0046

Grey Base
 A.MIG-0908

Dark Rust
 A.MIG-0041

Old Rust
 A.MIG-0042

Matt Black
 A.MIG-0046

Cremeweiss
 A.MIG-0017

Schwartzgrau
 A.MIG-0018

Grey Base
 A.MIG-0908

SATIN BLACK
 A.MIG-0032

Brass
 A.MIG-0197

Olivgrun opt.1
 A.MIG-0001

Rotbraun
 A.MIG-0014

Steel
 A.MIG-0191

Medium Rust
 A.MIG-0040

Matt Black
 A.MIG-0046

Dunkelgrau
 A.MIG-0008

SATIN BLACK
 A.MIG-0032

SD.KFZ.161/2
PANZER IV AUSE.H
WITH FULL INTERIOR KIT

RYEFIELD MODEL. MADE IN CHINA
RFM
 RYEFIELD MODEL®
 香港美田模玩有限公司
 NO.14-17 AVENUE ROAD NORTH HONG KONG
 RM000-01, WOIENBERG COMMERCIAL BUILDING



微信公众号



微博



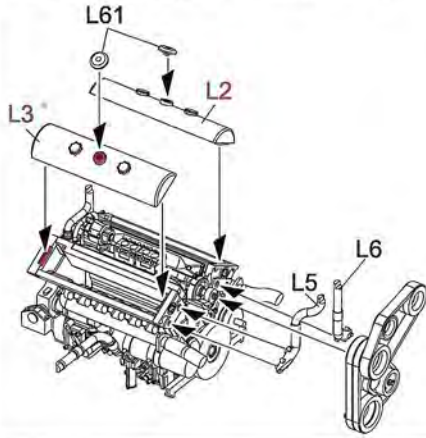
FACE BOOK



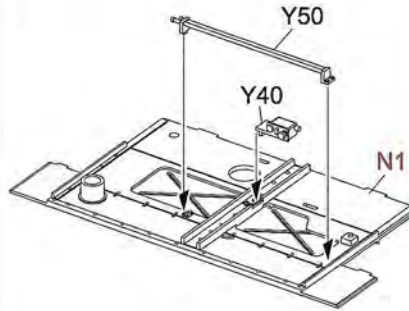
WEBSITE

Correction of mistakes for the parts 零件编号错误的修正

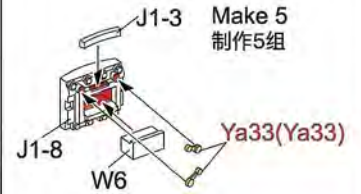
The Step7 on page 10 第7页step10



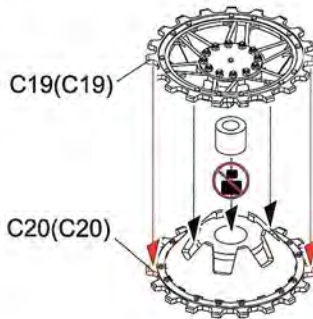
The Step11 on page 8 第8页step11



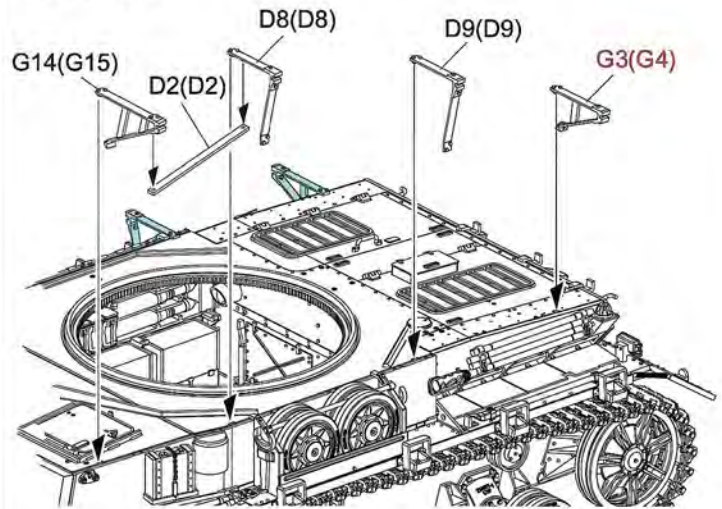
The Step63 on page 35 第35页step63



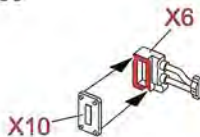
The Step32 on page 19 第19页step32



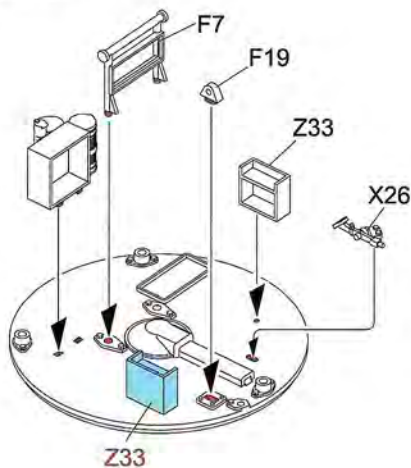
The Step 45 on page 27 第27页step45



The Step53 on page 30 第30页step53



The Step54 on page 31 第31页step54



The Step 64 on page 36 第36页step64

