

1/35 SCALE

5042

Military Miniature Series



SHERMAN

U.S. MEDIUM TANK M4A3 76W HVSS

WITH FULL INTERIOR KIT

BOOTH20

RYEFIELD MODEL

ASSEMBLY ICONS



OPTIONAL
选择



CEMENT
膠水



DO NOT CEMENT
不使用膠水



INSTANT CEMENT
瞬間接著劑



BEND
彎折



MAKE 2
製作2組



OPEN HOLE
鑽孔



REMOVE
切除



BE CAREFUL
注意



APPLY DECAL
貼上水貼紙

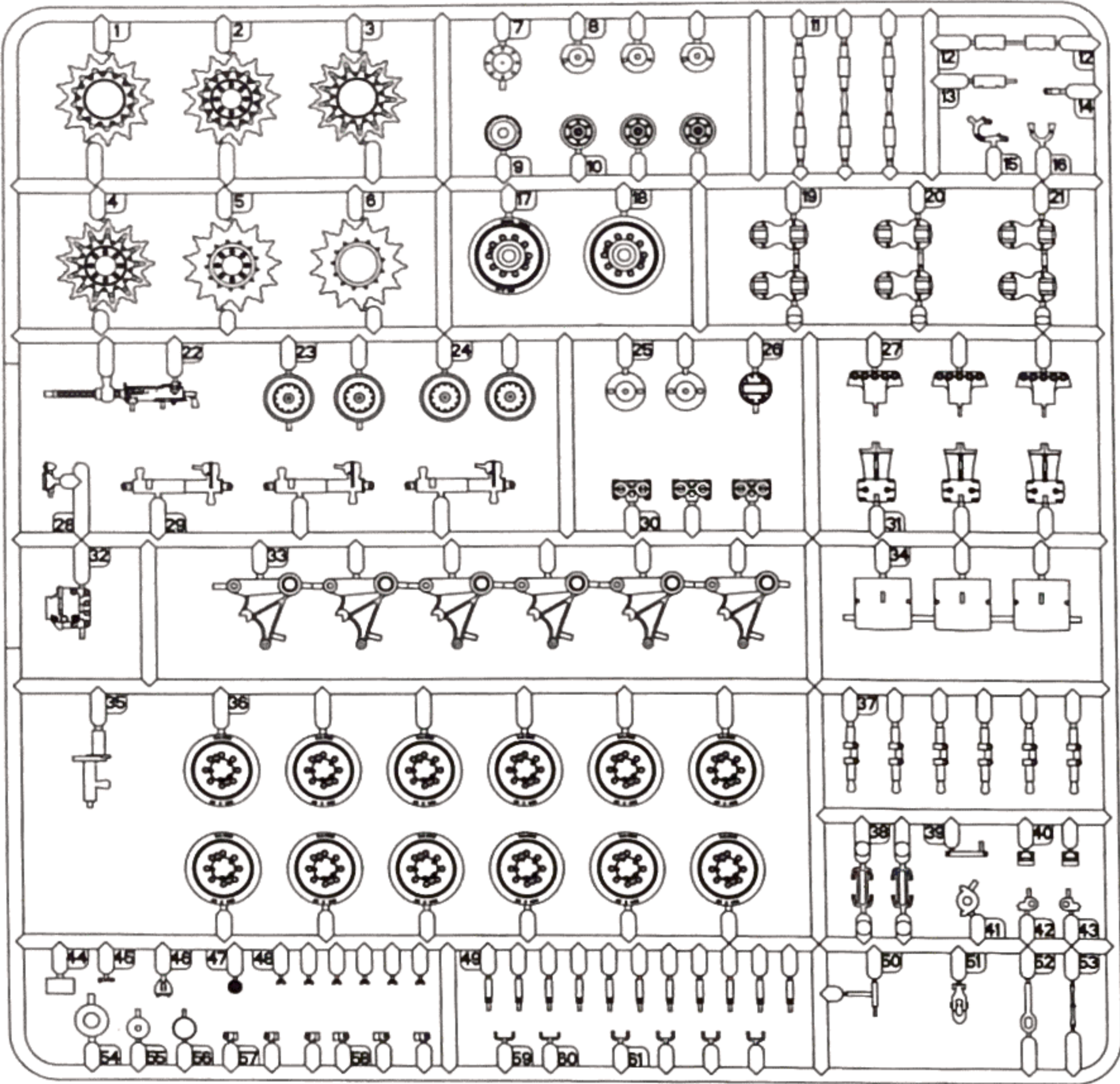
CAUTION!

Read carefully and fully understand the instructions before commencing assembly. Supervising adult should also read the instructions if a child assembles the model. When you used glue or paint, do not use near a naked flame, and use in a well-ventilated room. When assembling this kit, tools including knives are used. Extra care should be taken to avoid personal injury. Read and follow the instructions supplied with paints and/ or cement. Use plastic cement and paints only. Keep out of reach of small children. Children must not be allowed to suck any part, or pull vinyl bag over the head.

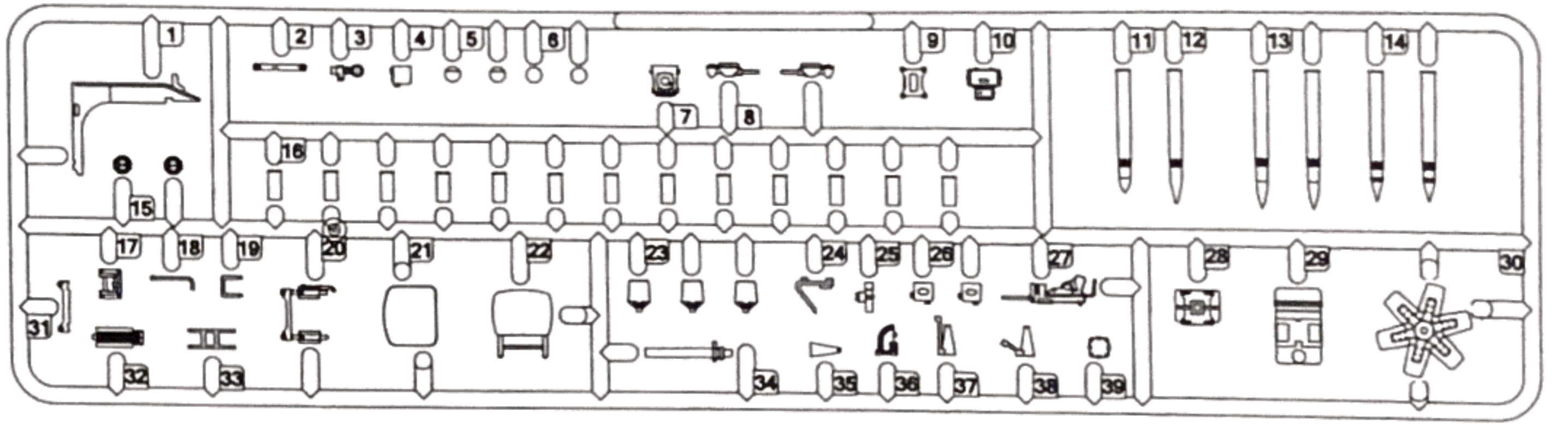
在裝配前仔細閱讀說明並完全理解。小孩裝配時需成人看護且需仔細閱讀說明。
使用膠水和油漆時，應遠離火源並打開窗戶保持空氣流通。
製作時請格外注意工具刀和零件的鋒利尖銳部分，避免對身體造成傷害。
在使用膠水和油漆前仔細閱讀注意事項，按照說明正確使用膠水和油漆。
請將本品放在兒童接觸不到的地方，套件中的塑膠包裝袋會對兒童造成窒息的危險。

PARTS 部品图

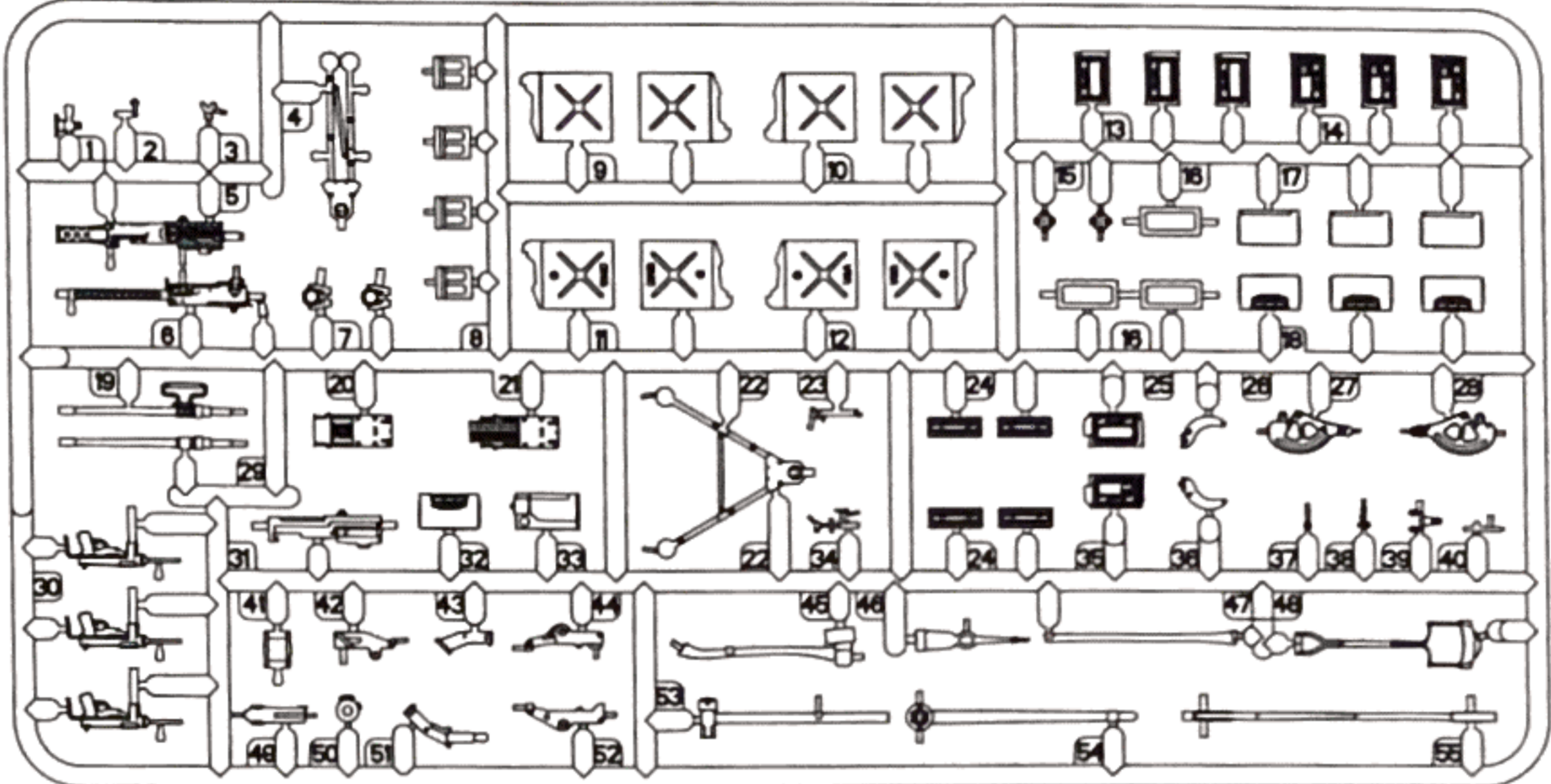
A x2



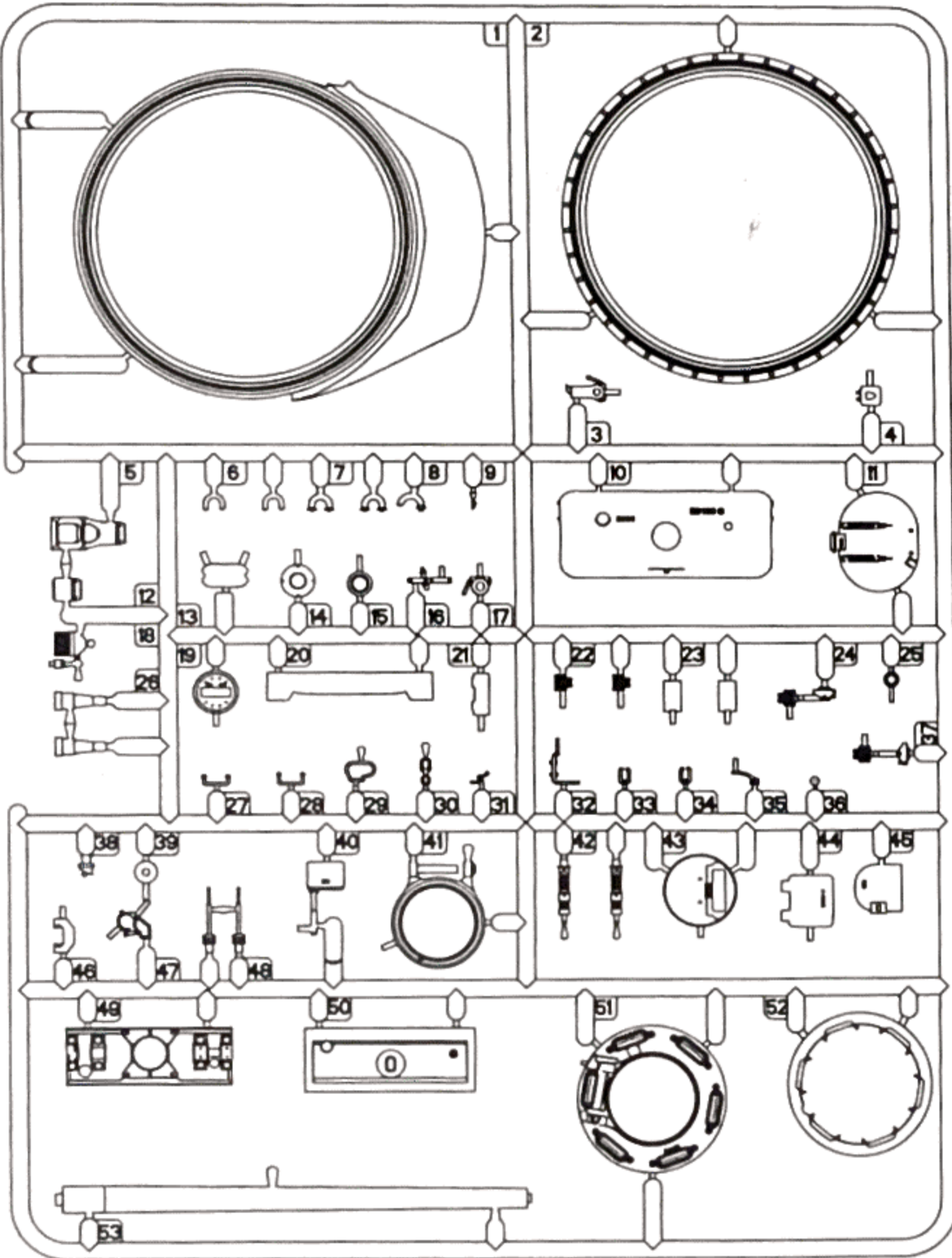
W x2



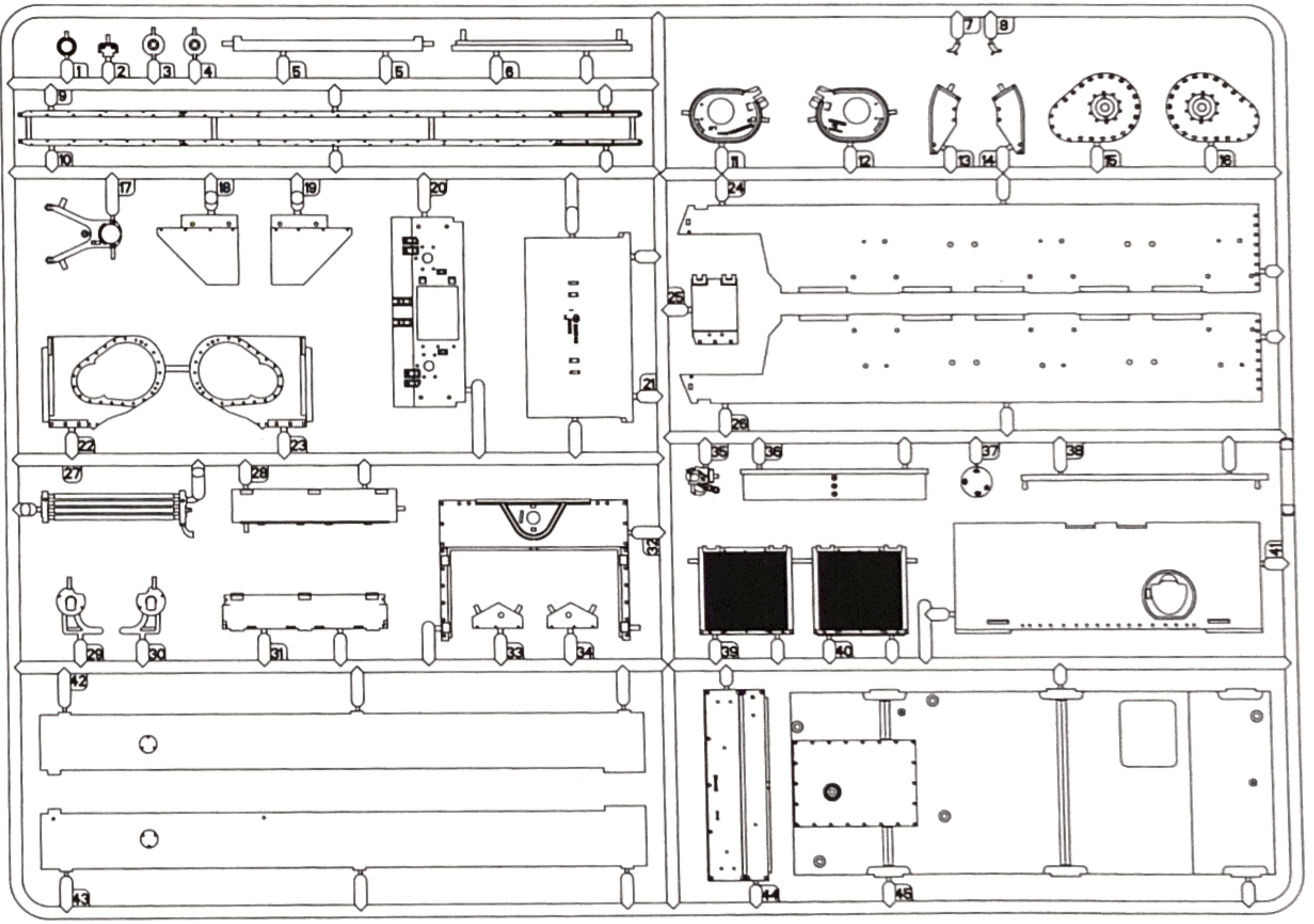
B x1



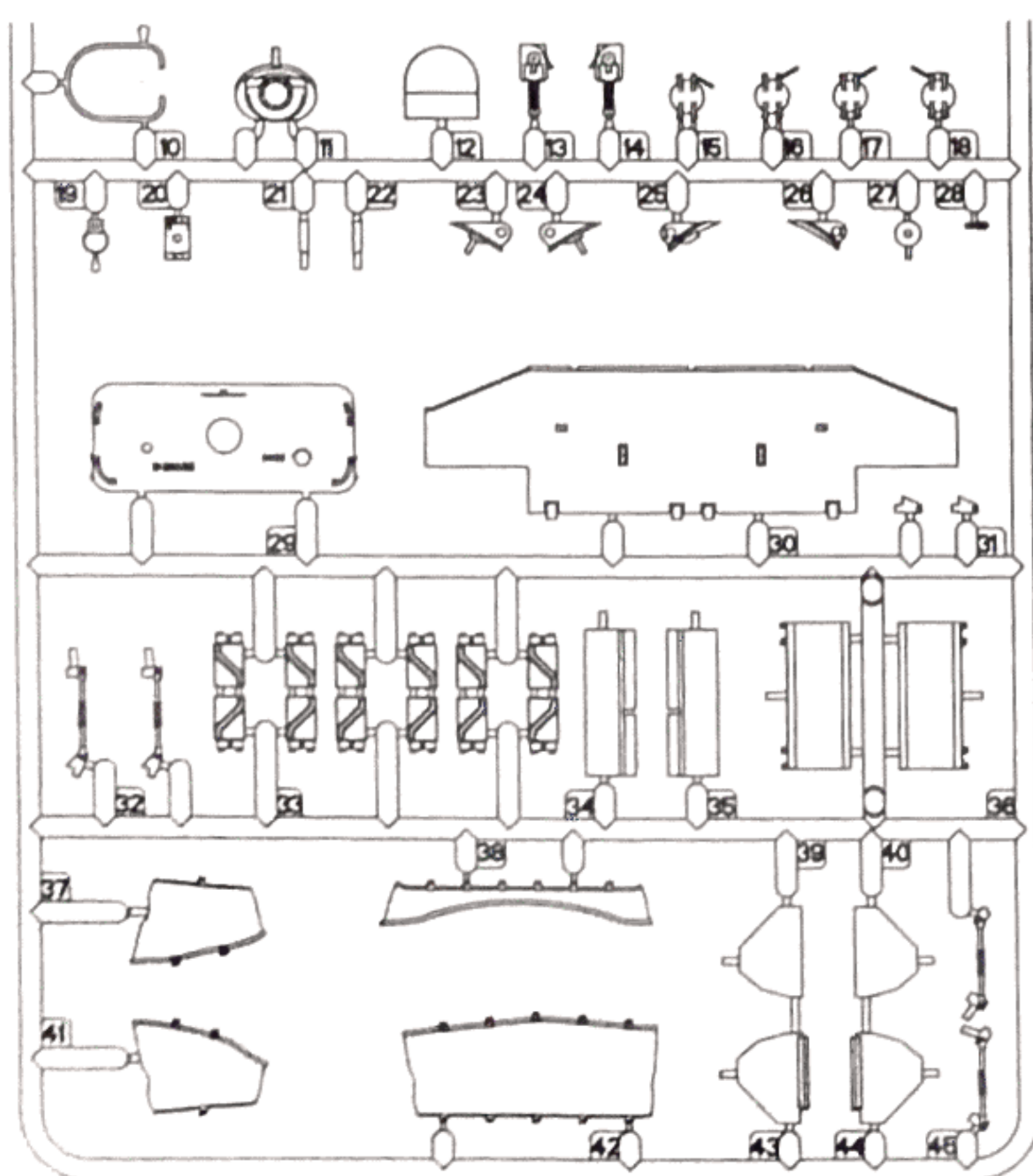
C x1



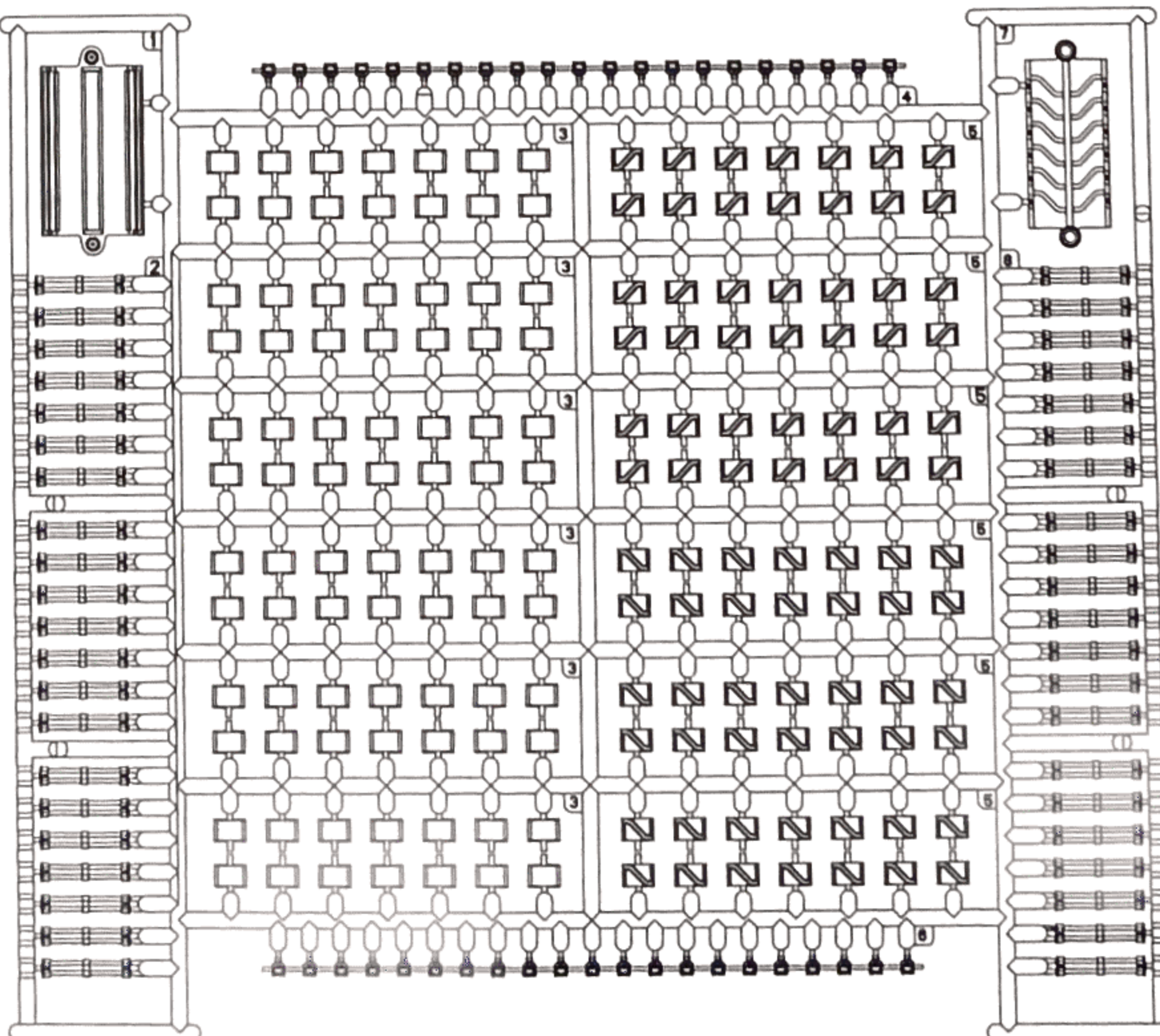
E x1



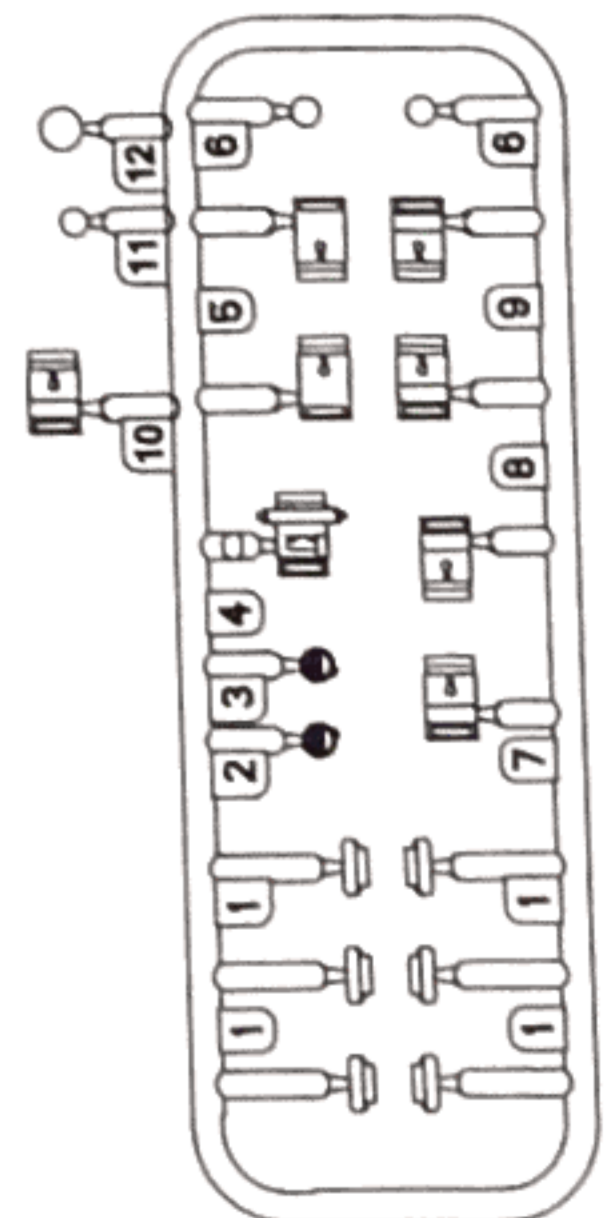
D x1



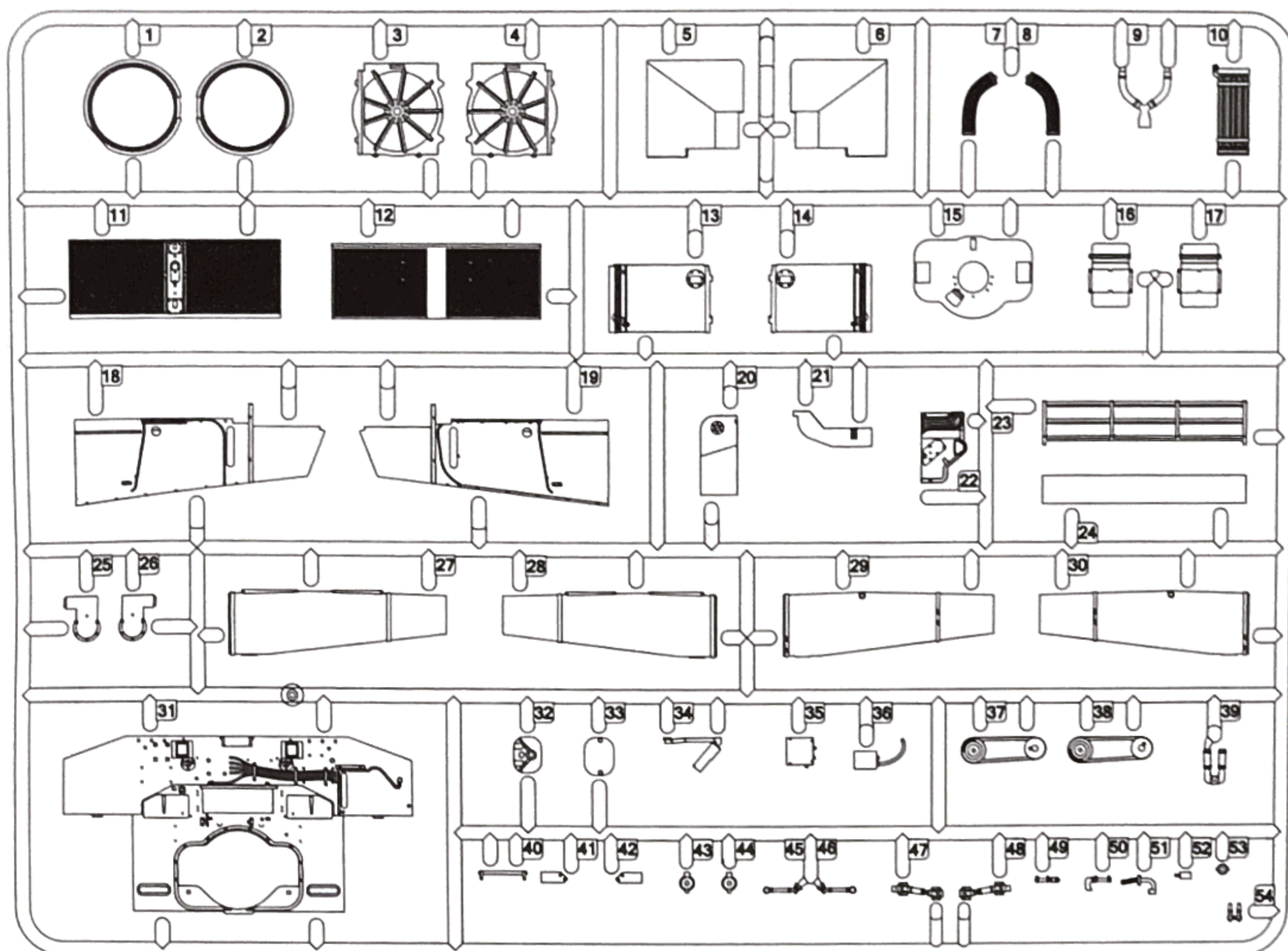
F x4



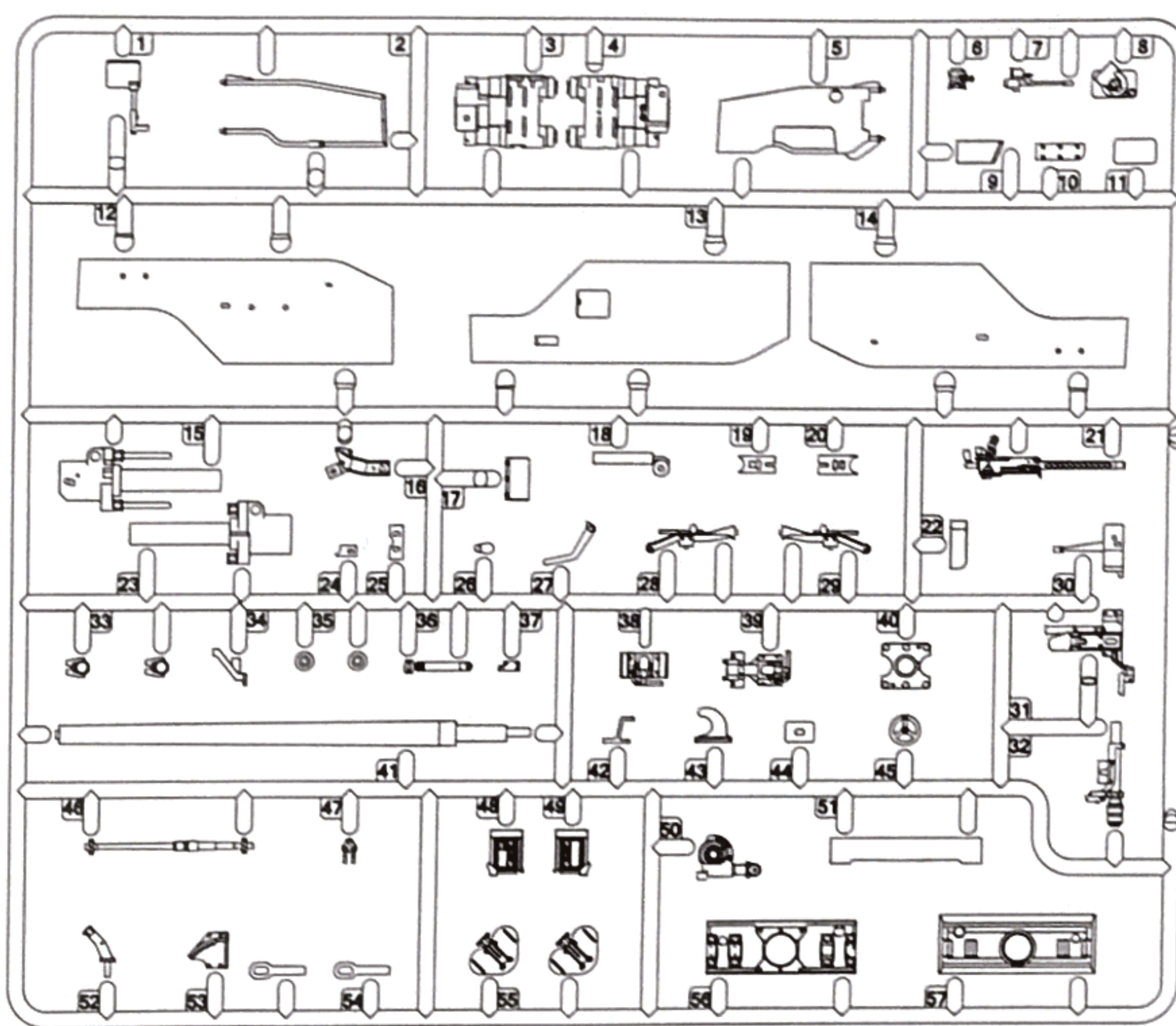
T x1



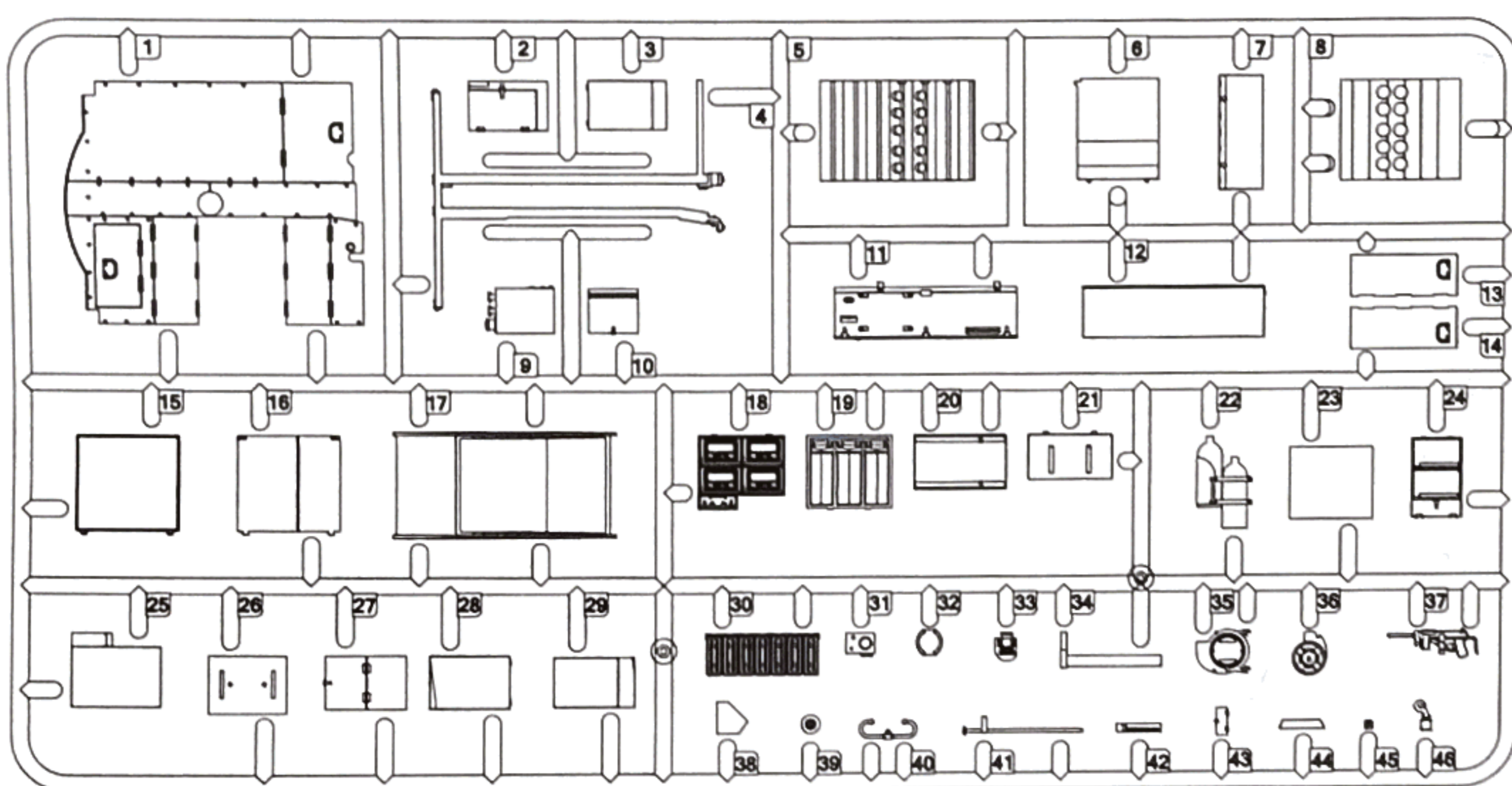
M x1



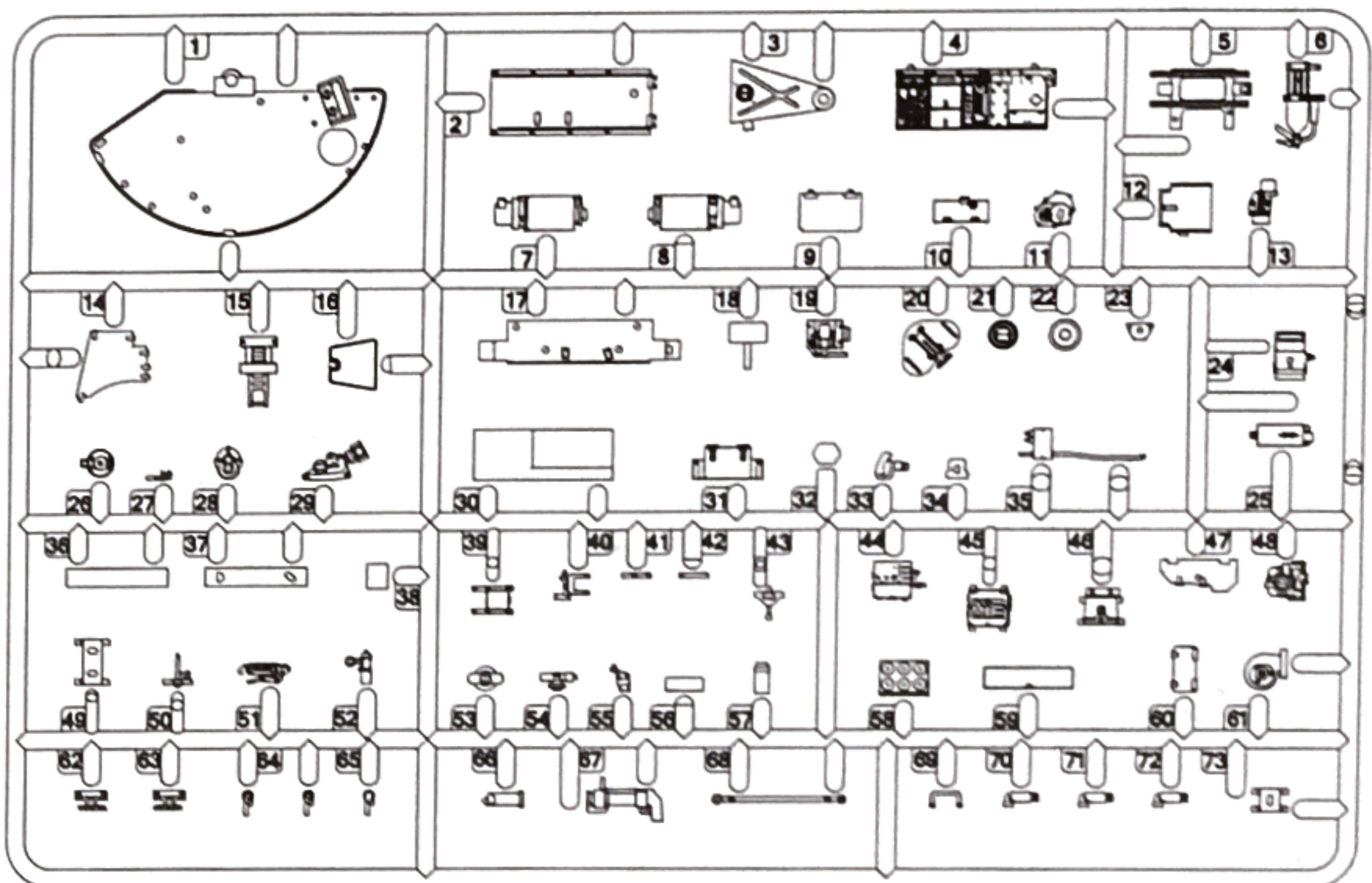
G x1



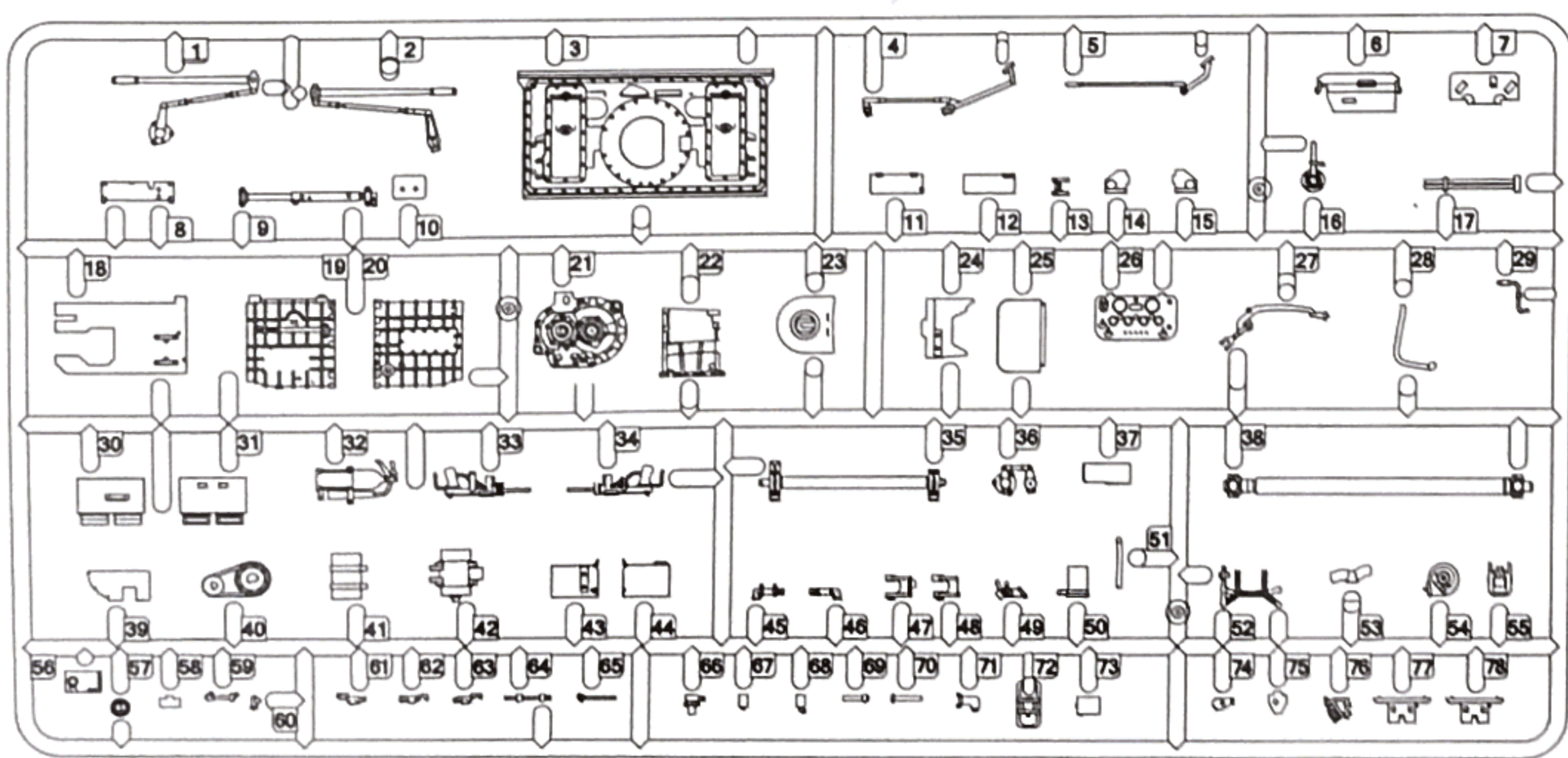
N x1



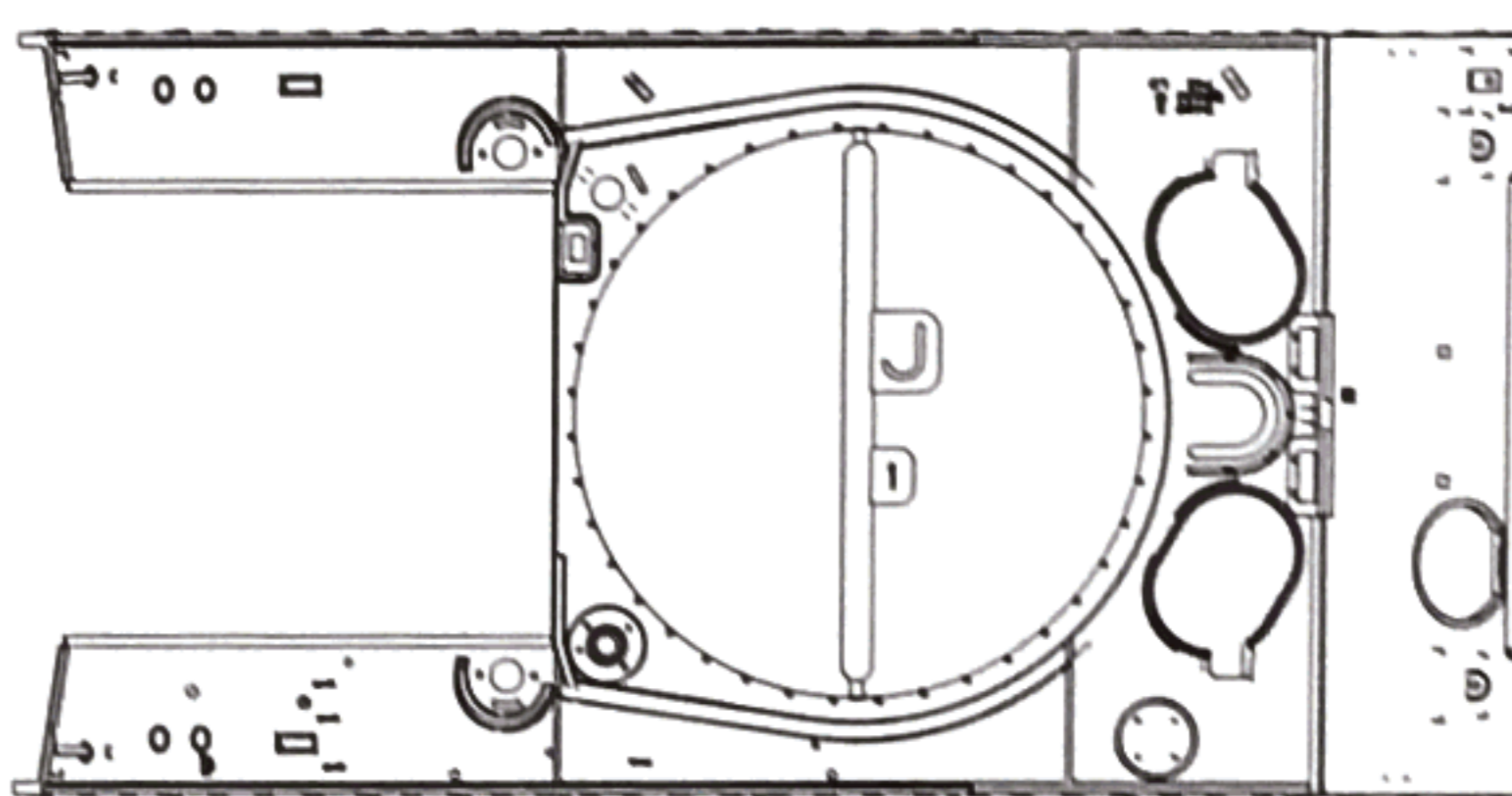
K x1



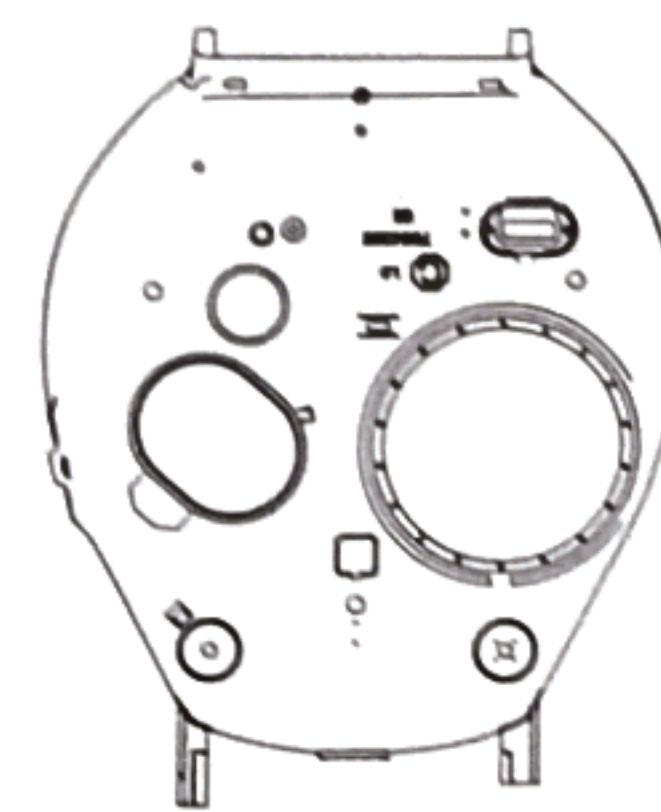
R x1



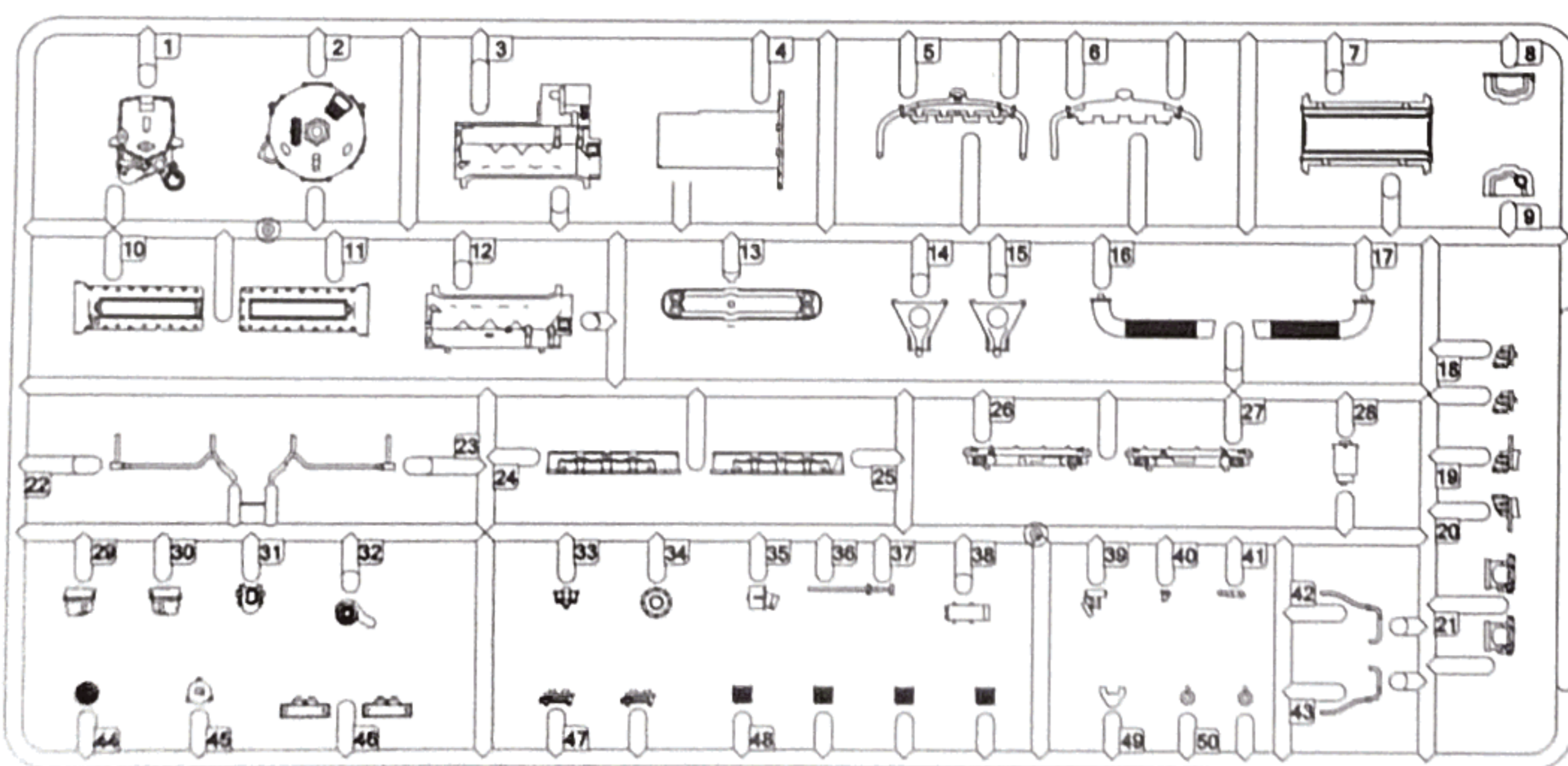
UPPER HULL



TURRET



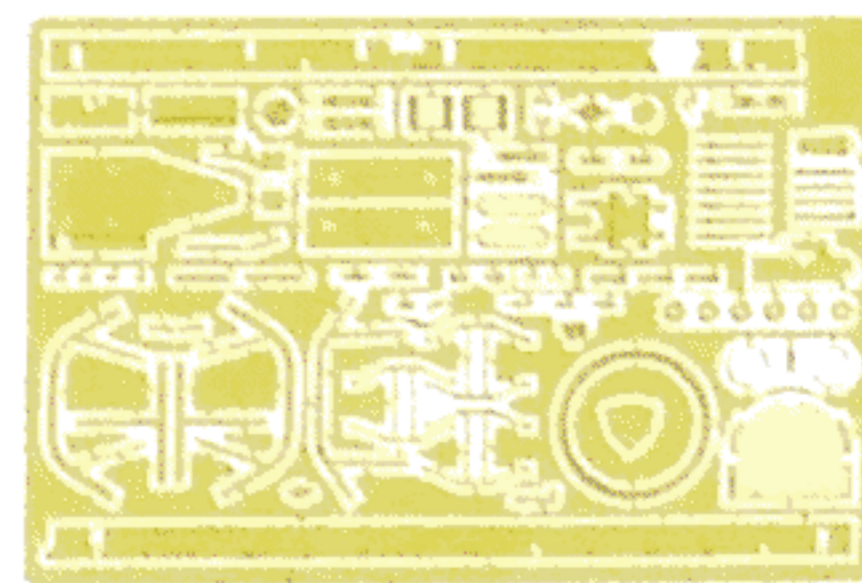
V x1



DECAL



PHOTO-ETCHED



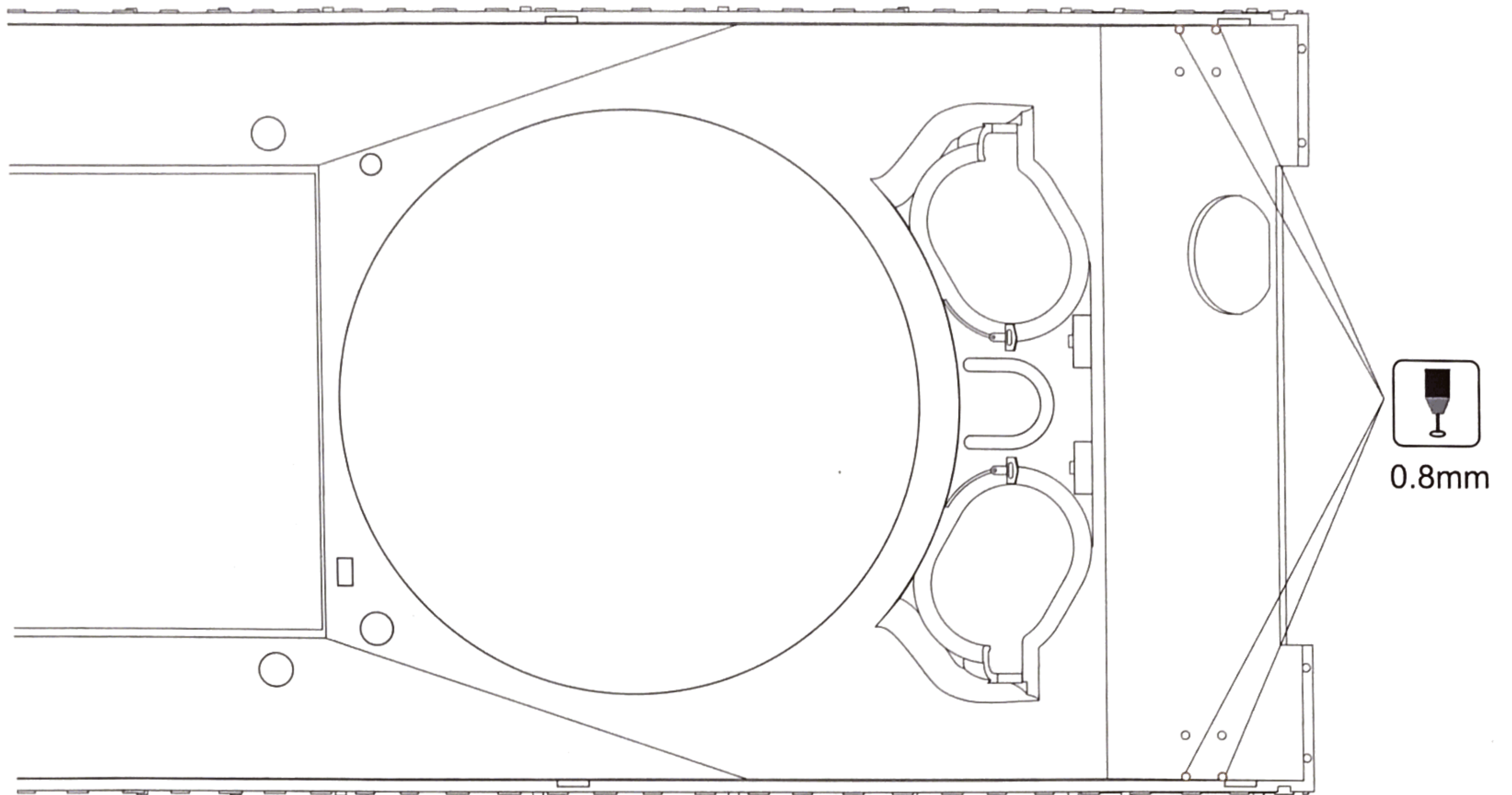
POLY CAP



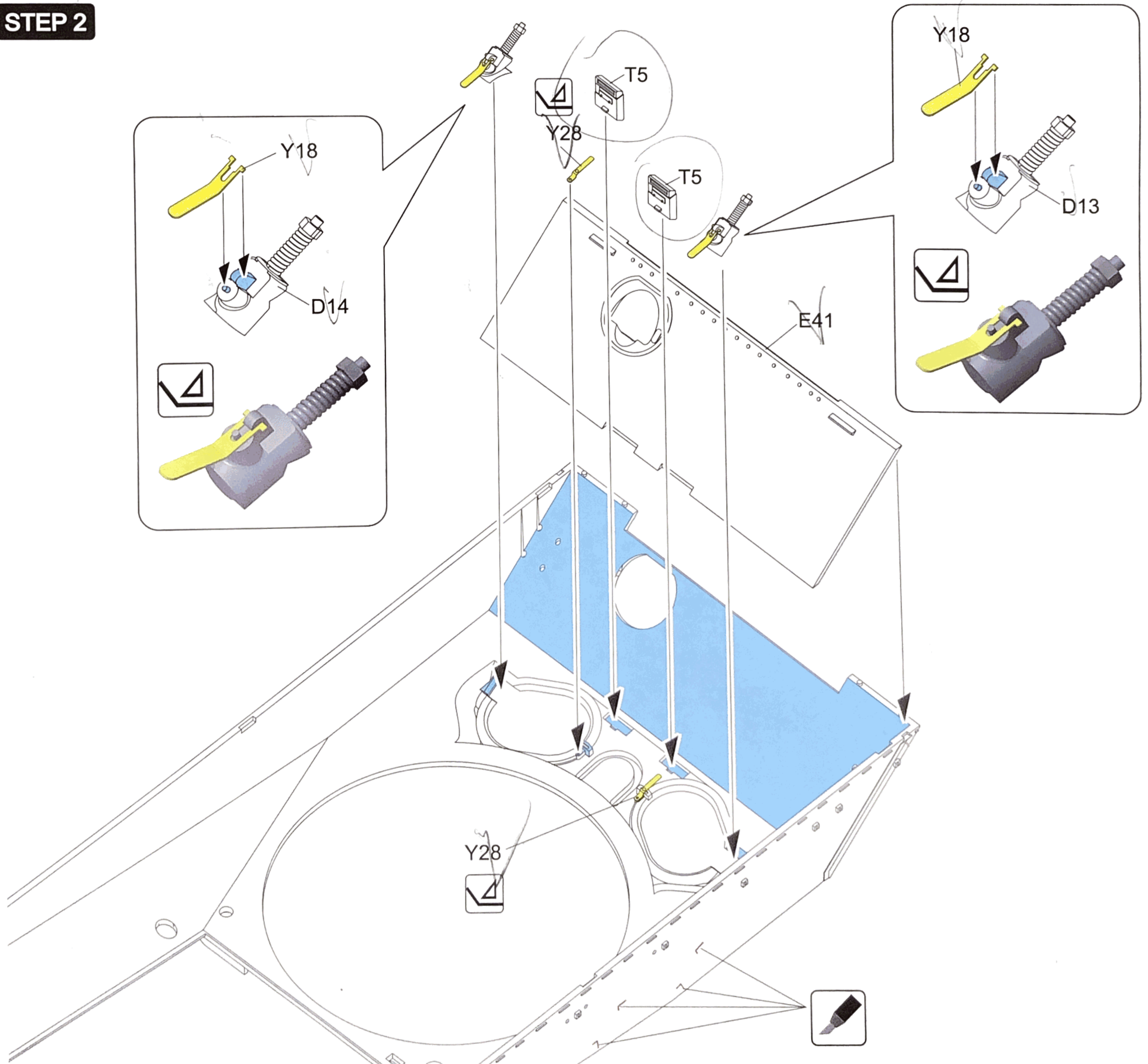
SPRING



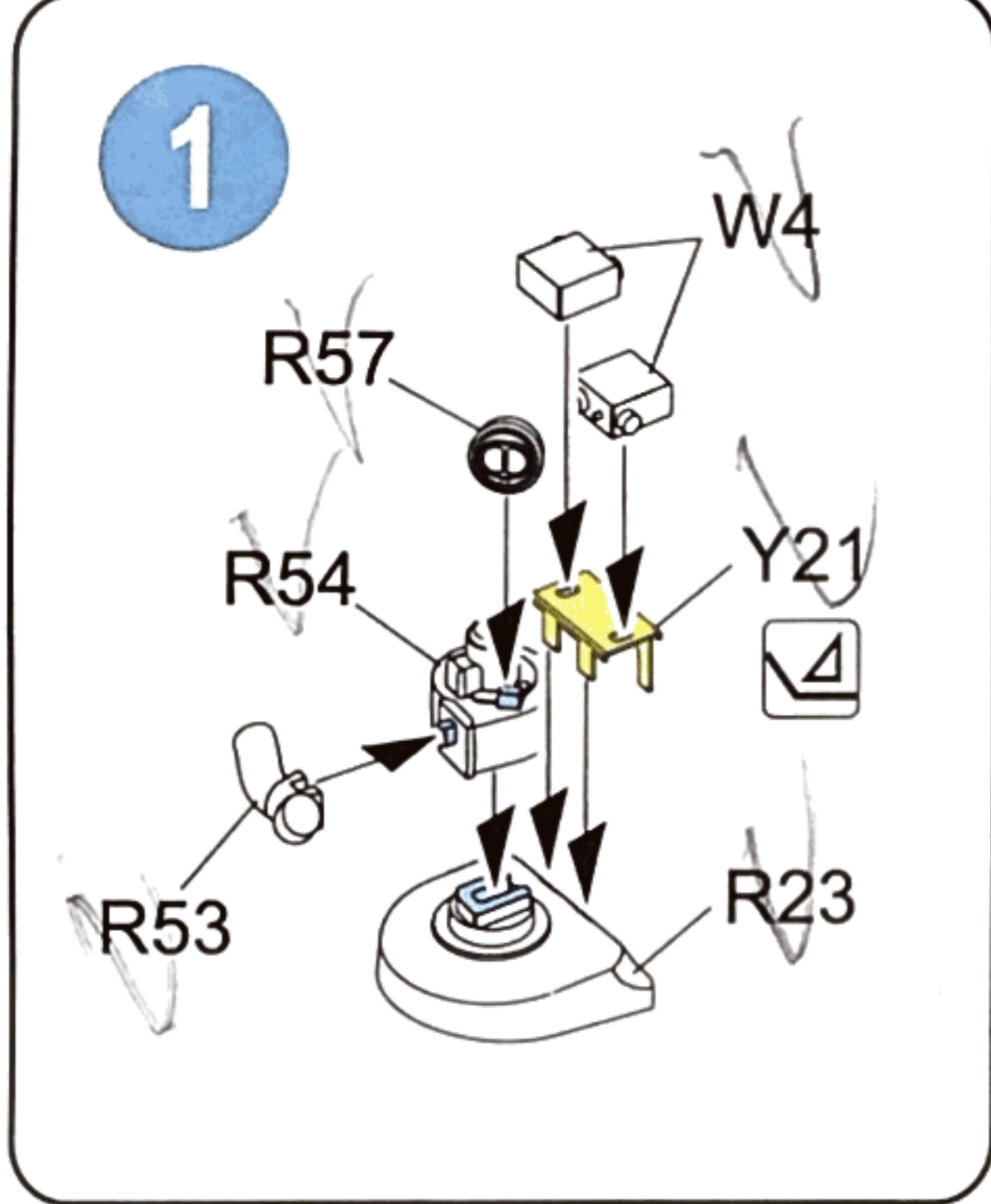
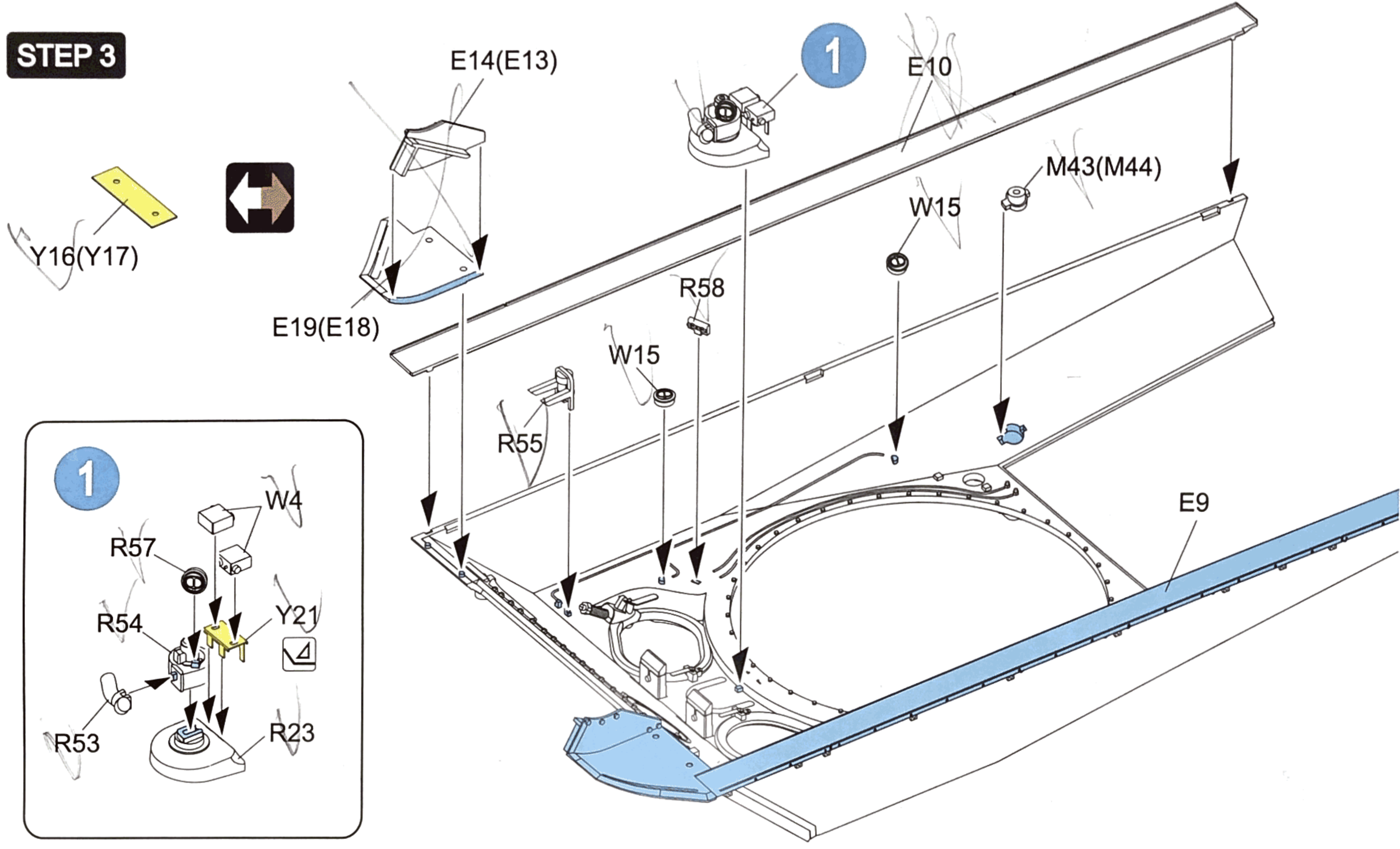
STEP 1



STEP 2

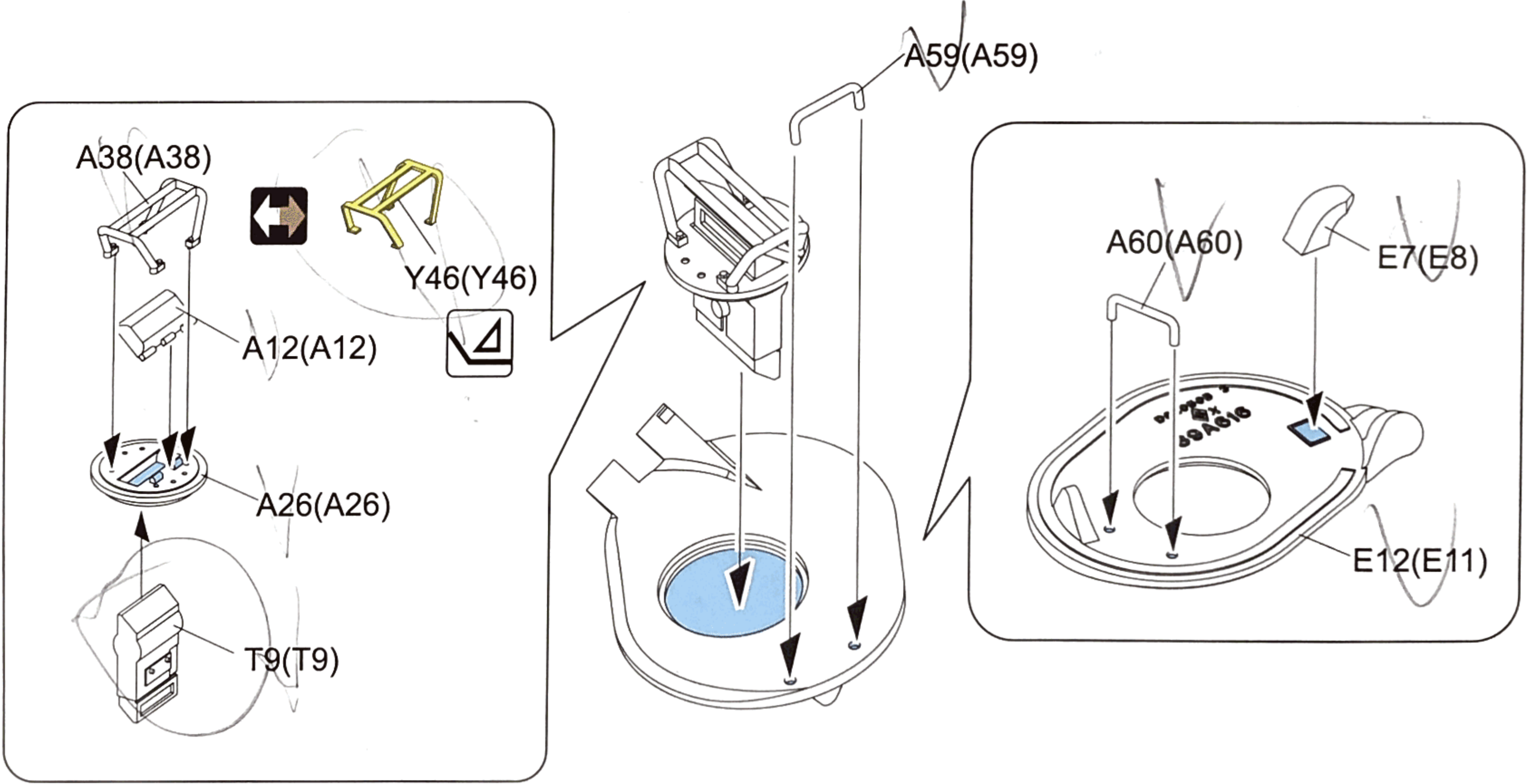


STEP 3

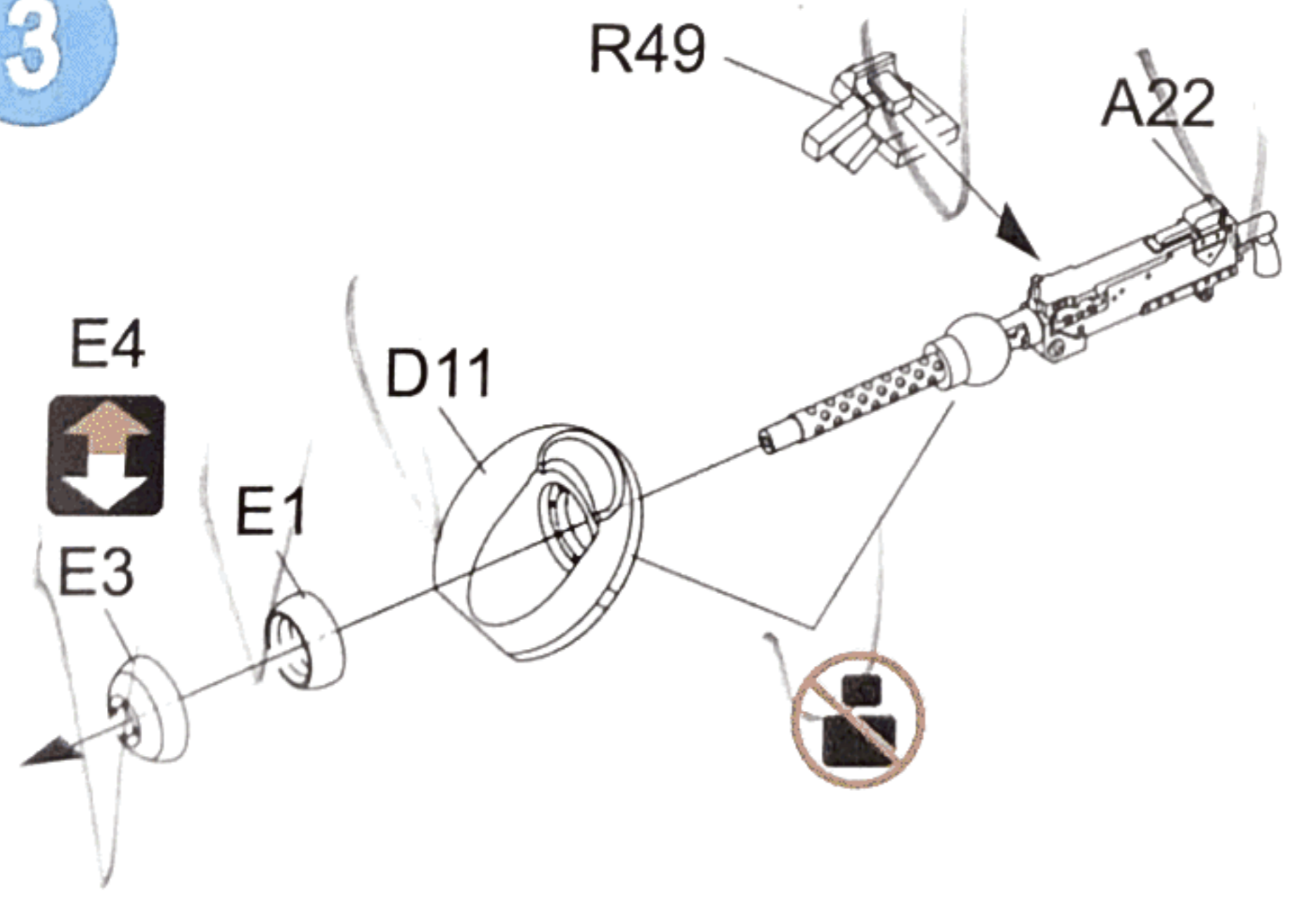


MAKE 2
制作2组

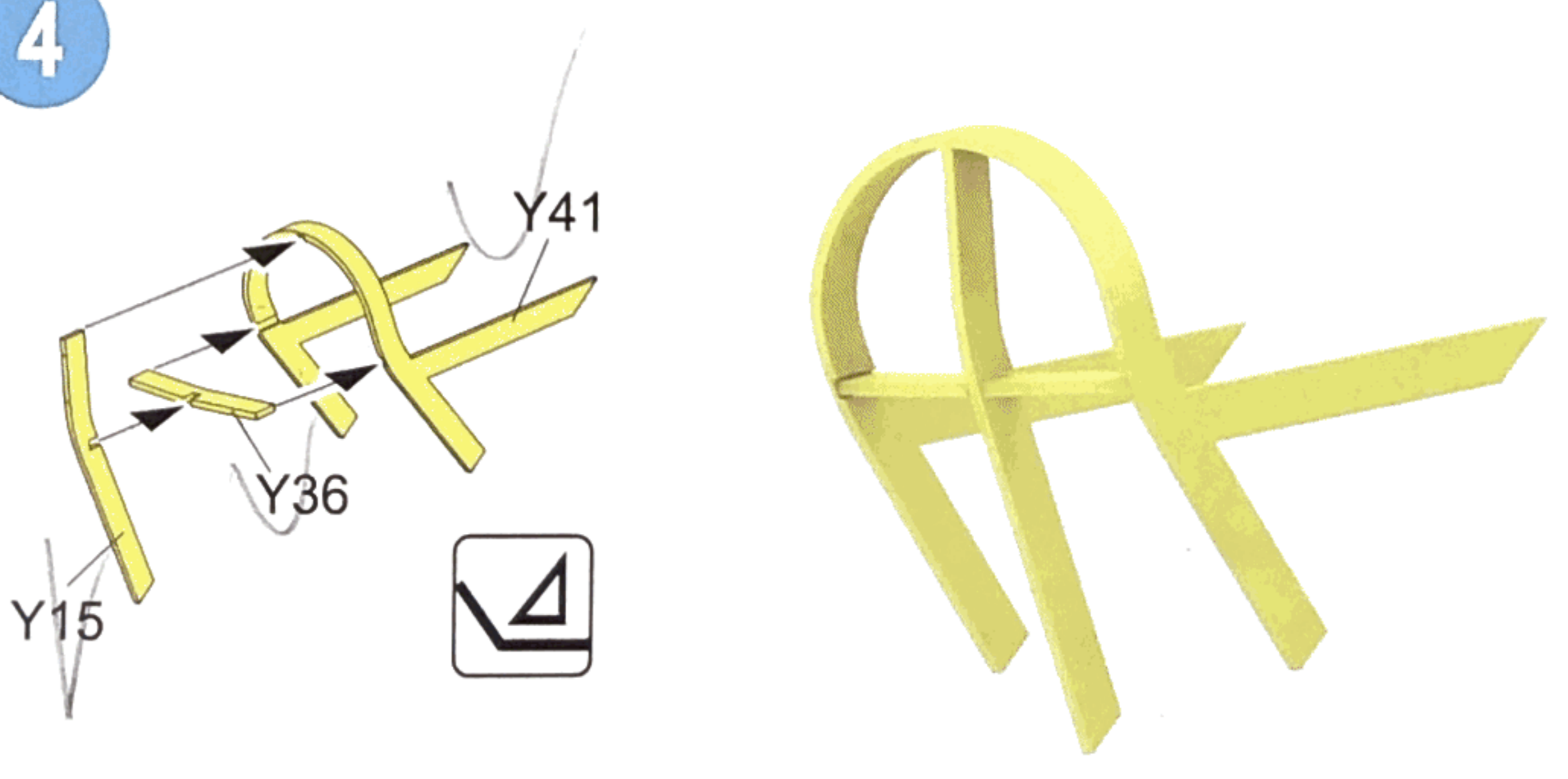
2



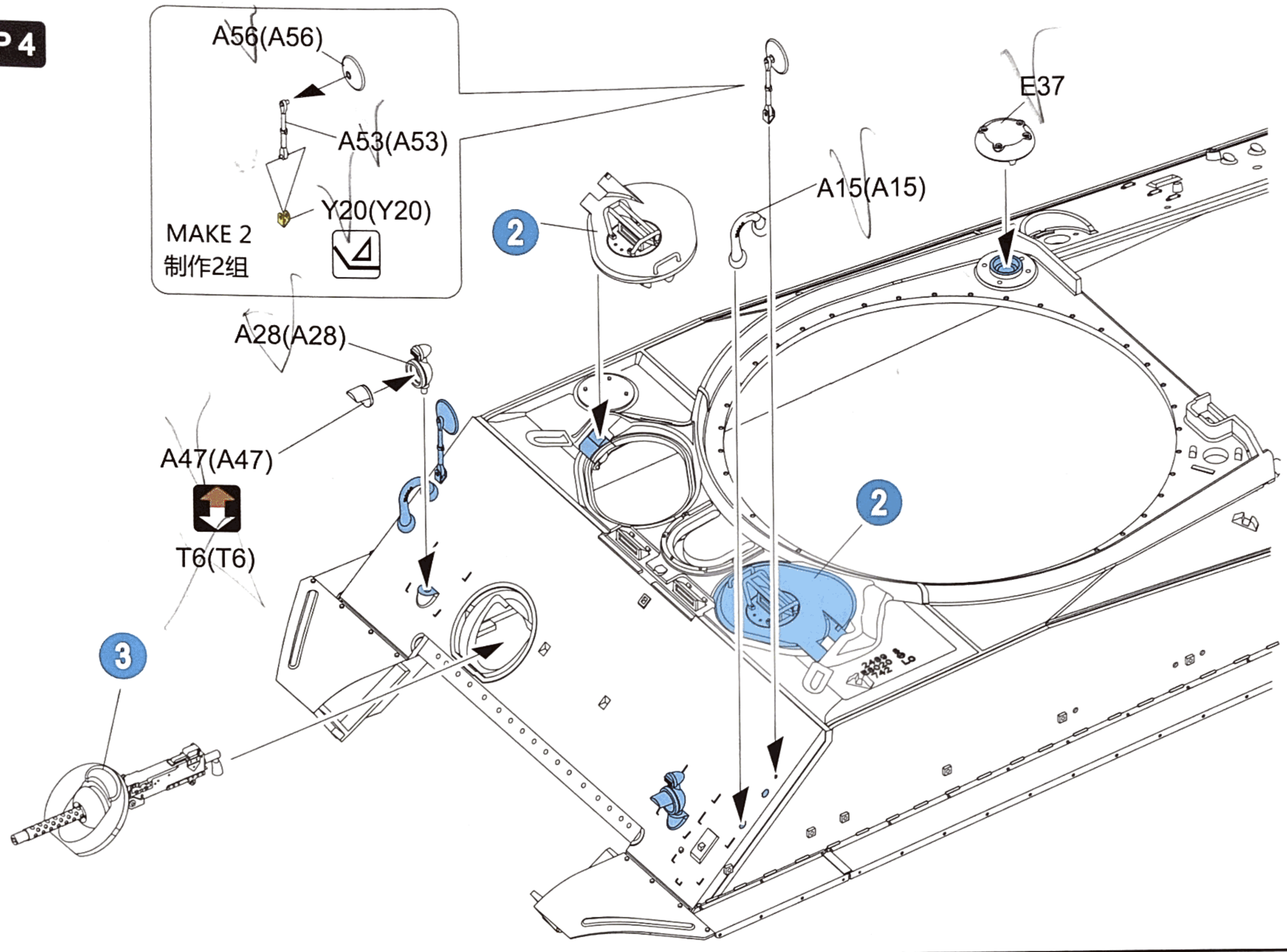
3



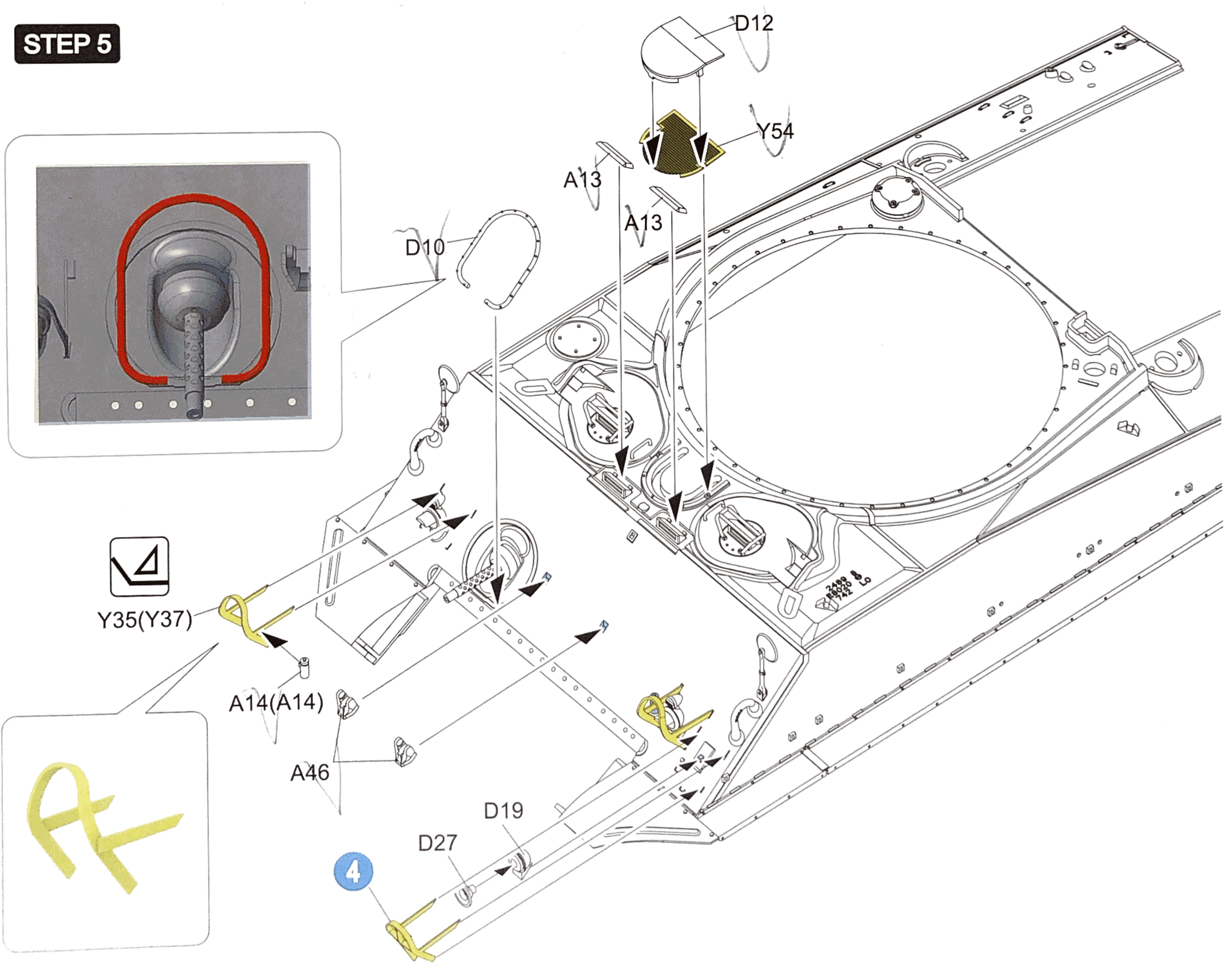
4



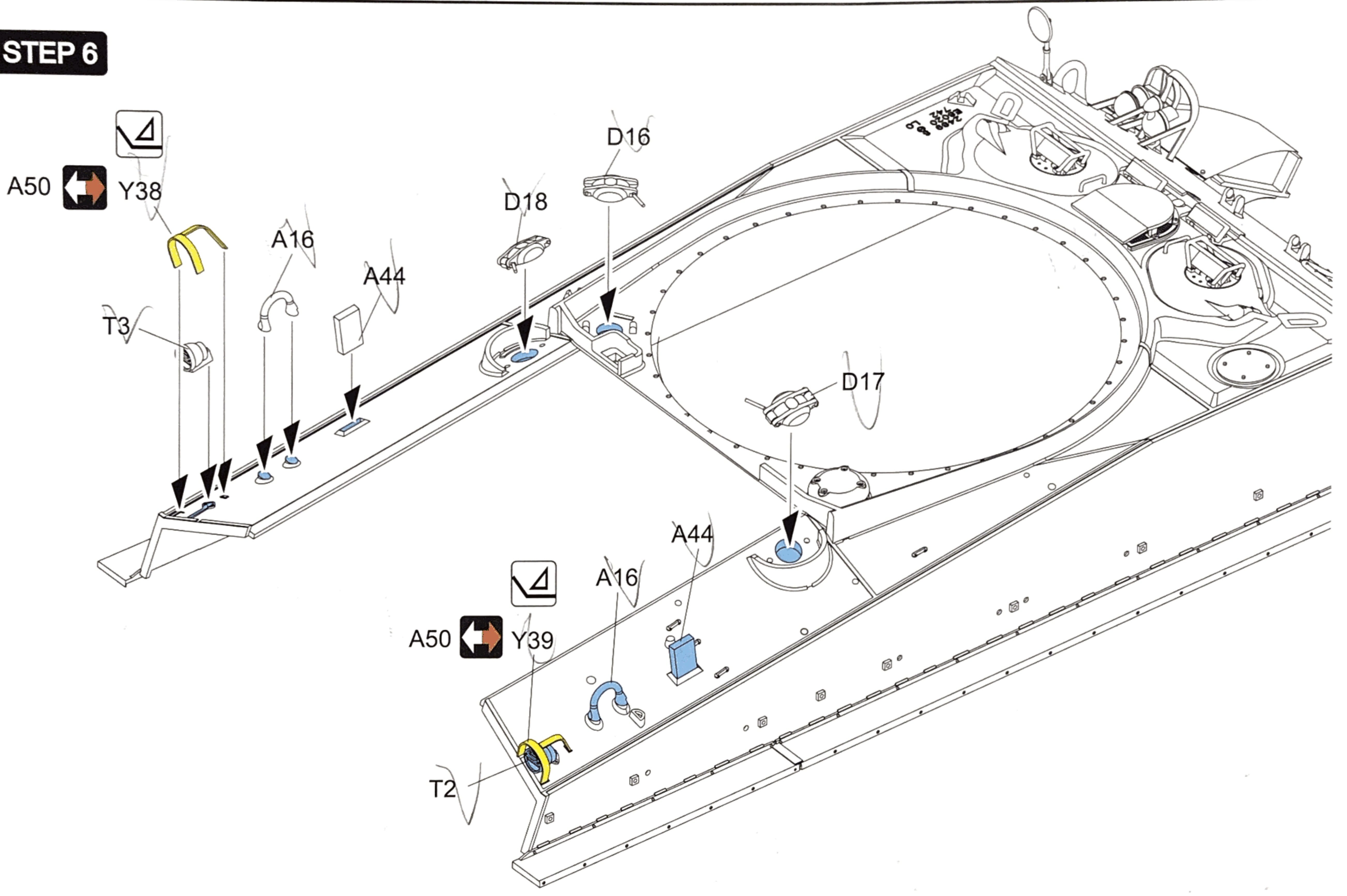
STEP 4



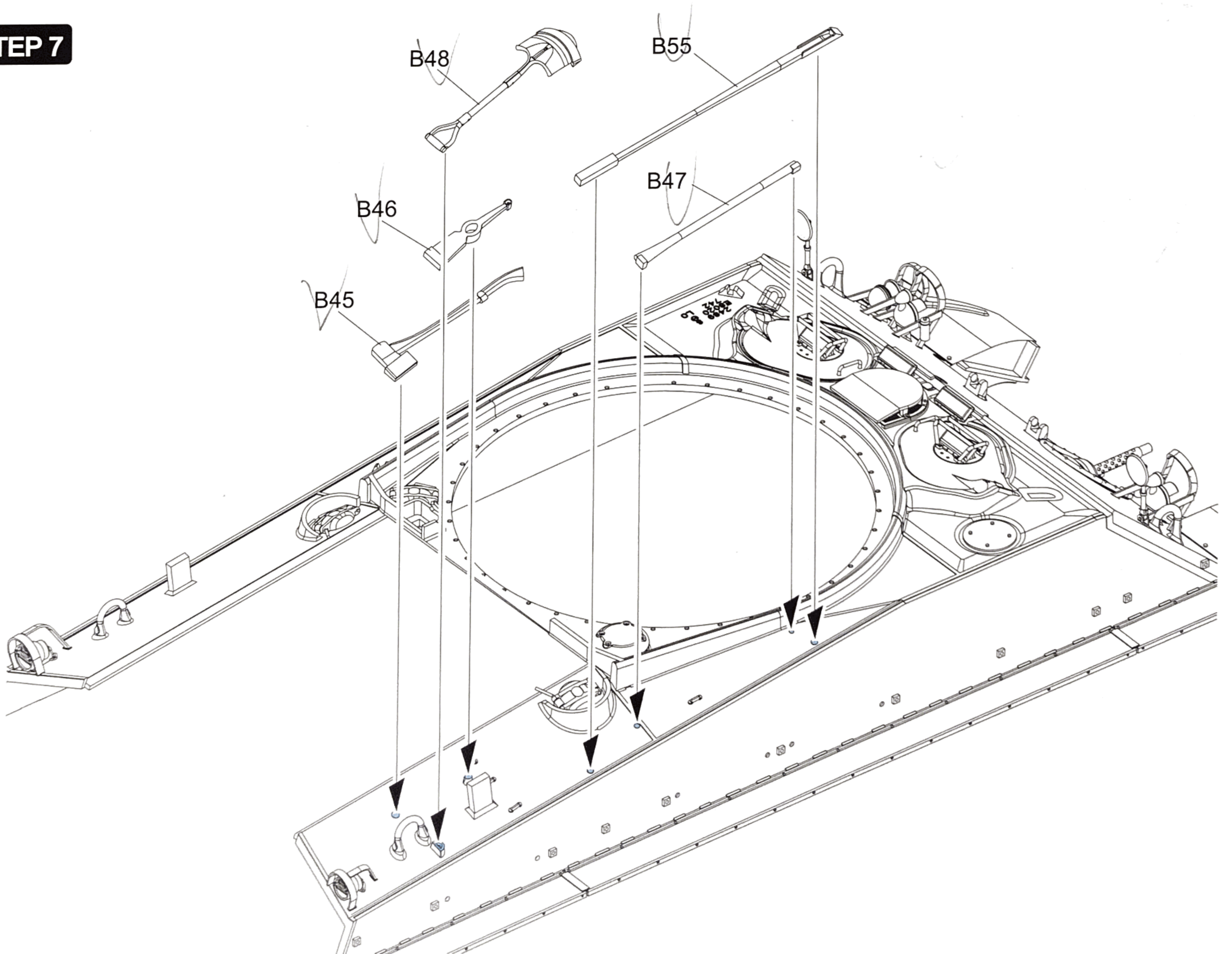
STEP 5

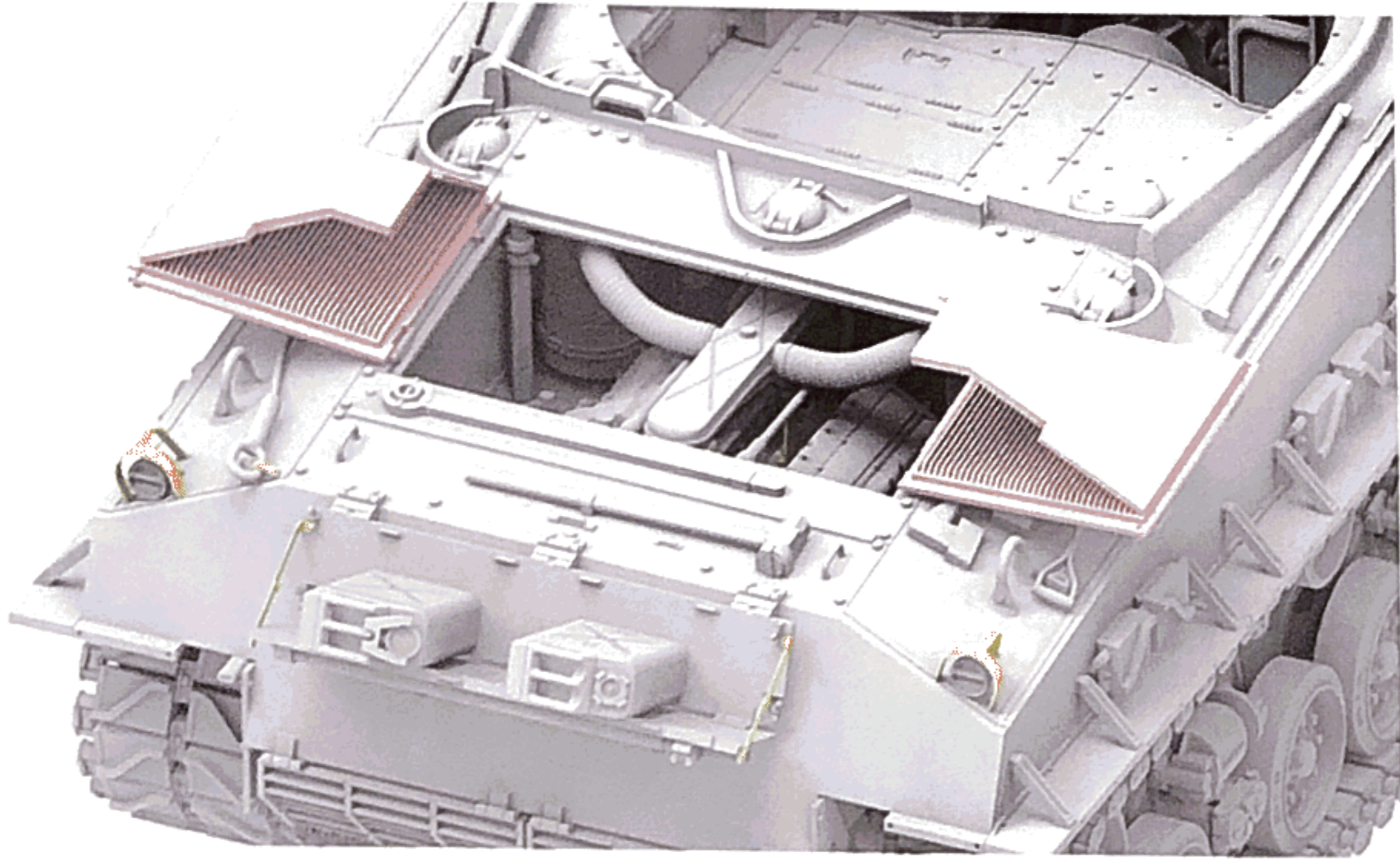
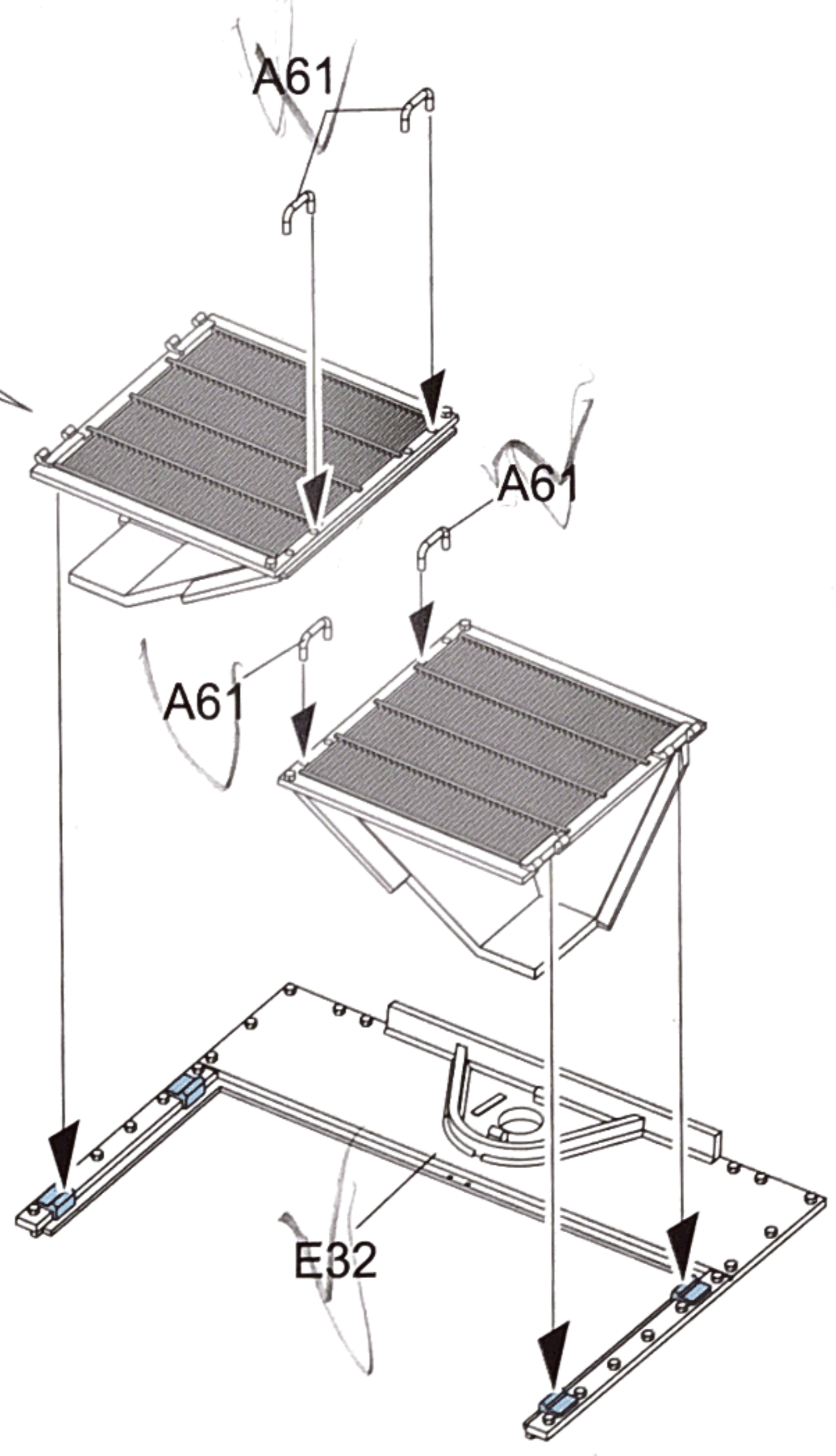
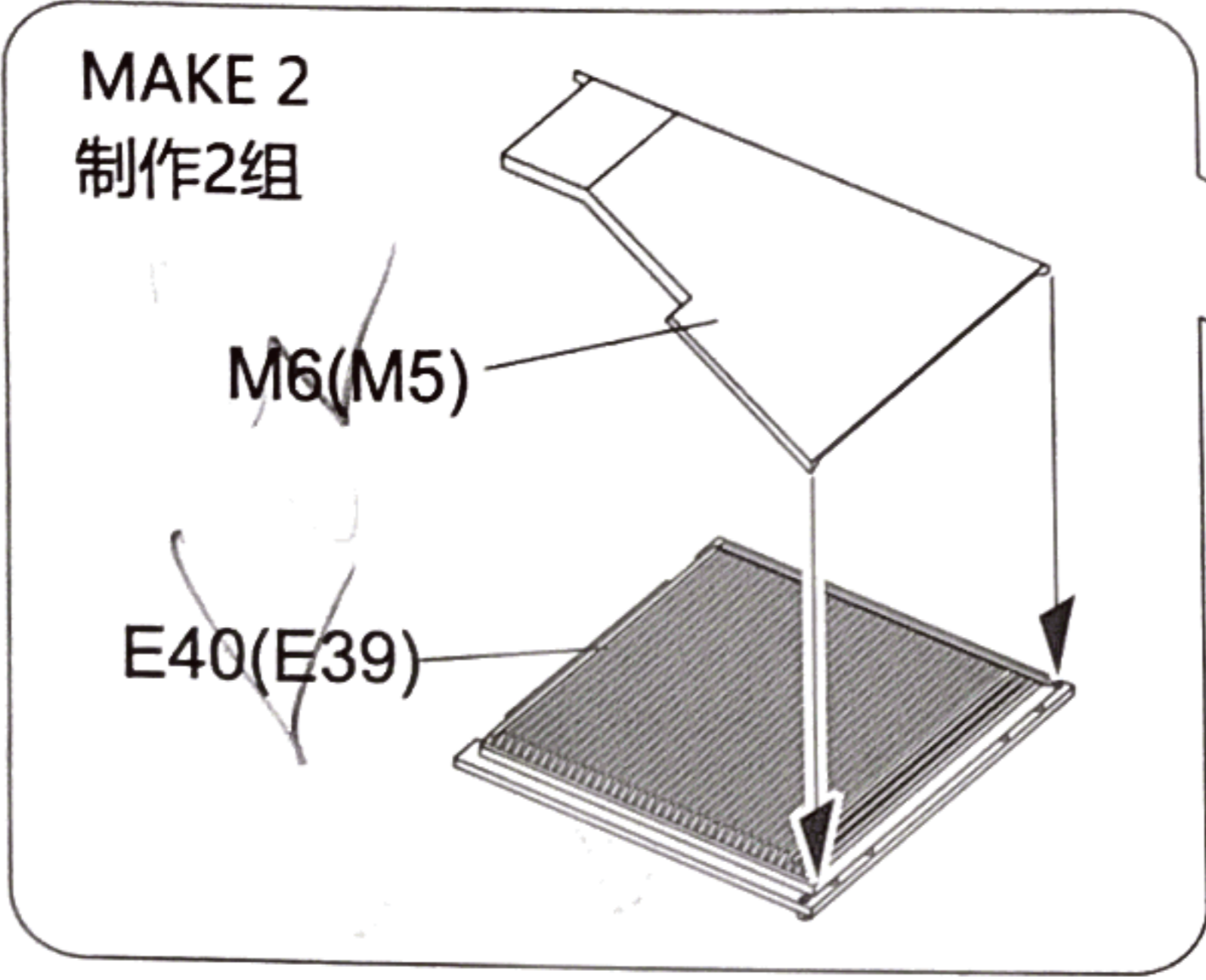


STEP 6

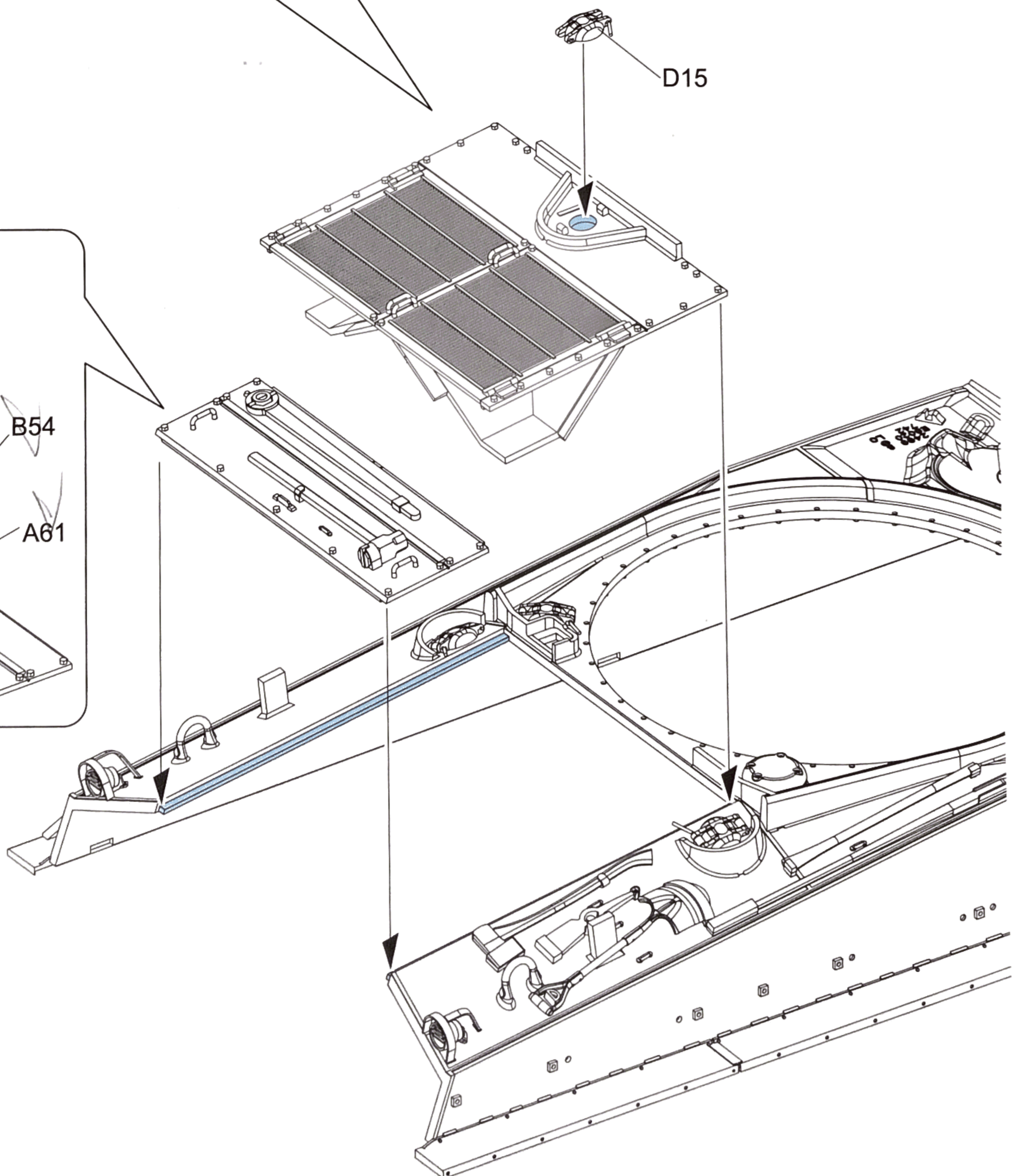
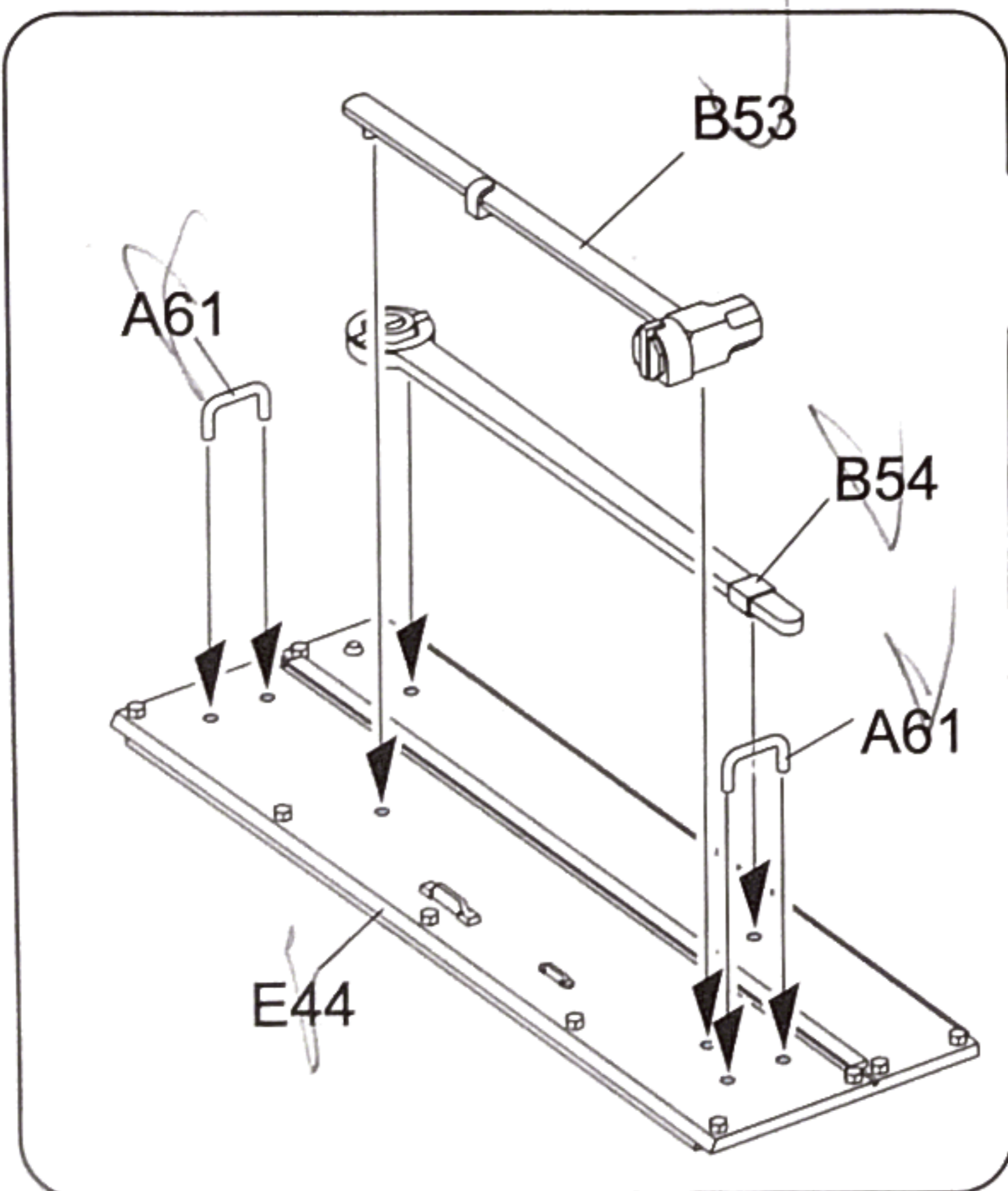


STEP 7

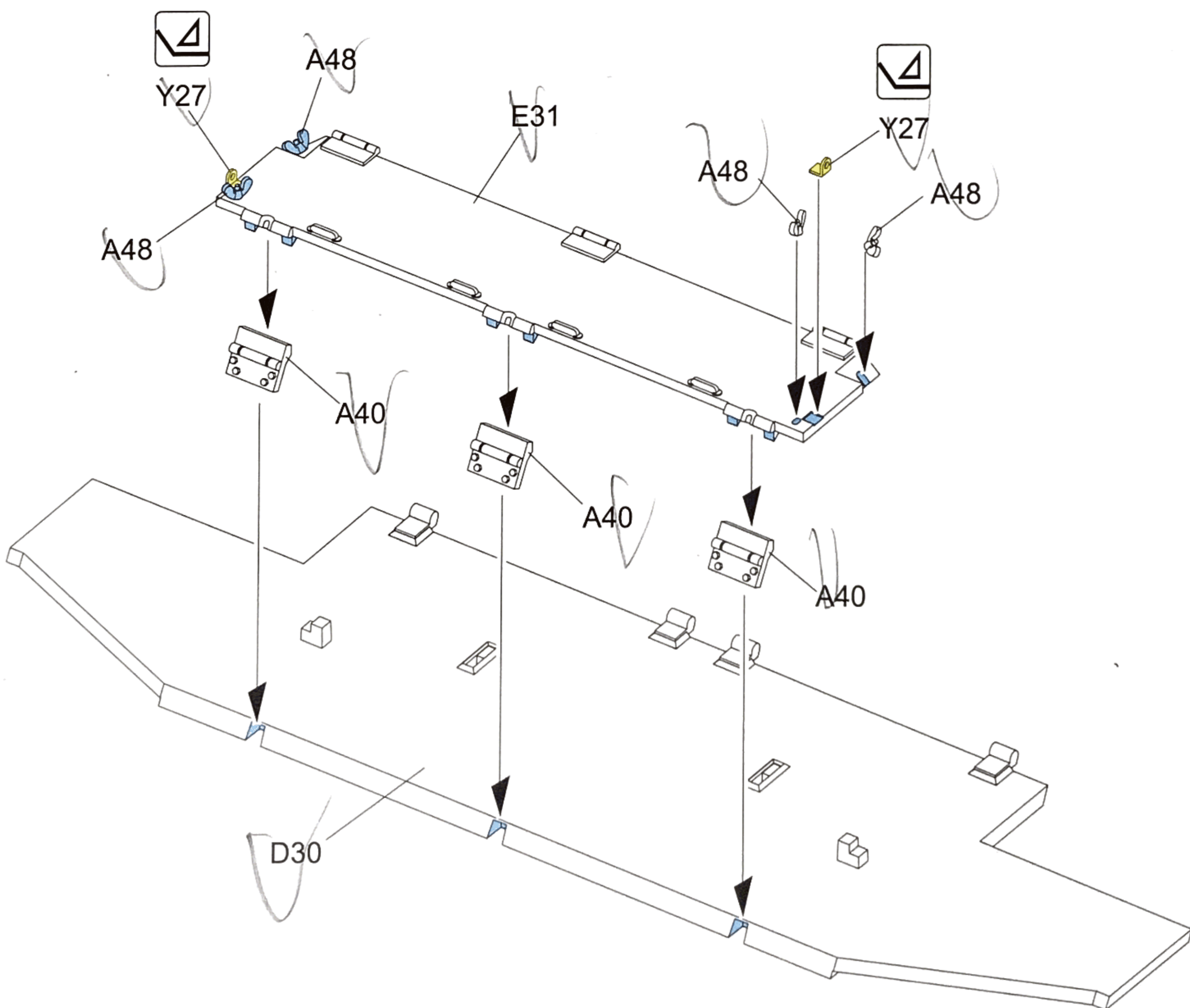
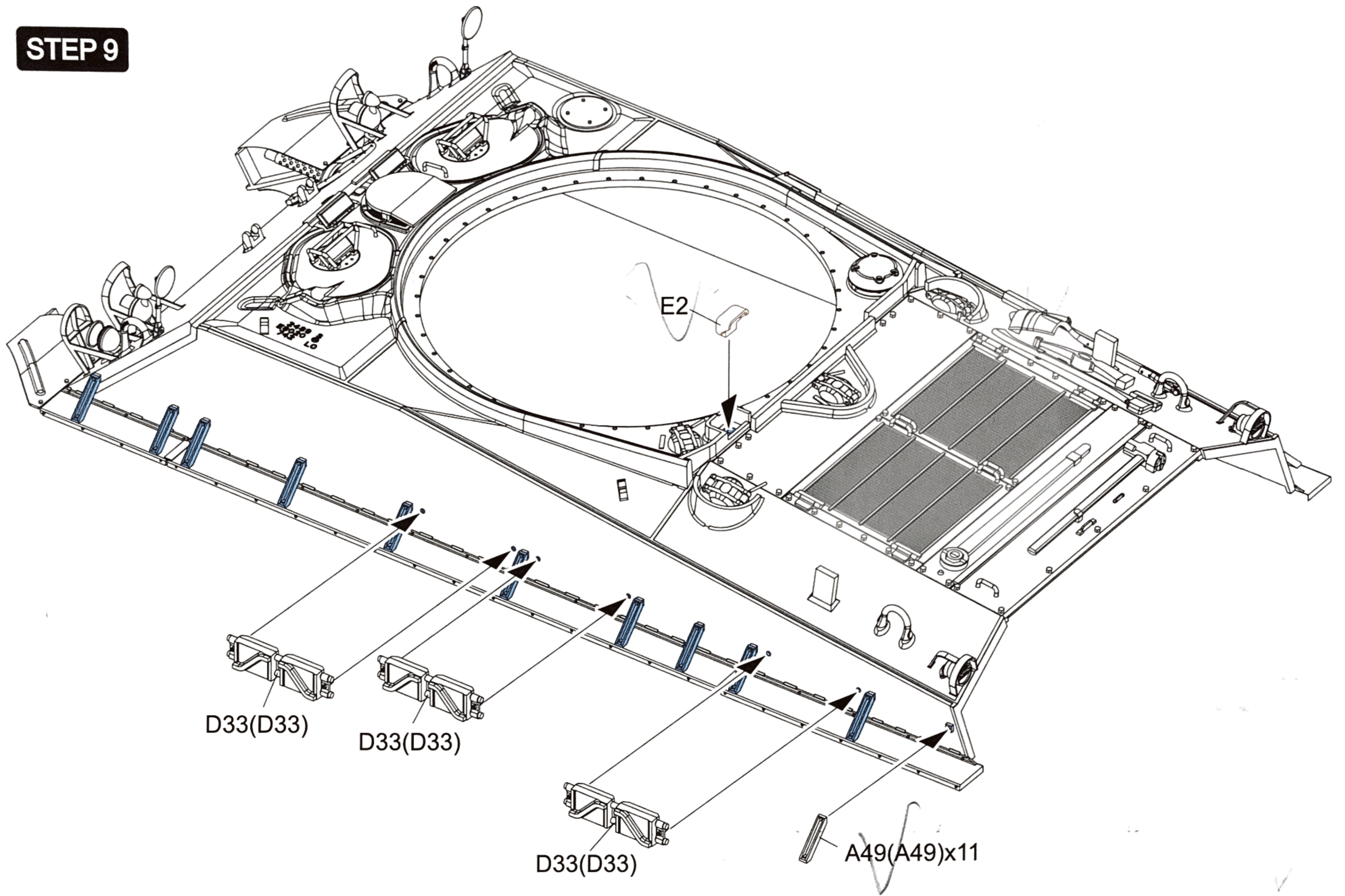




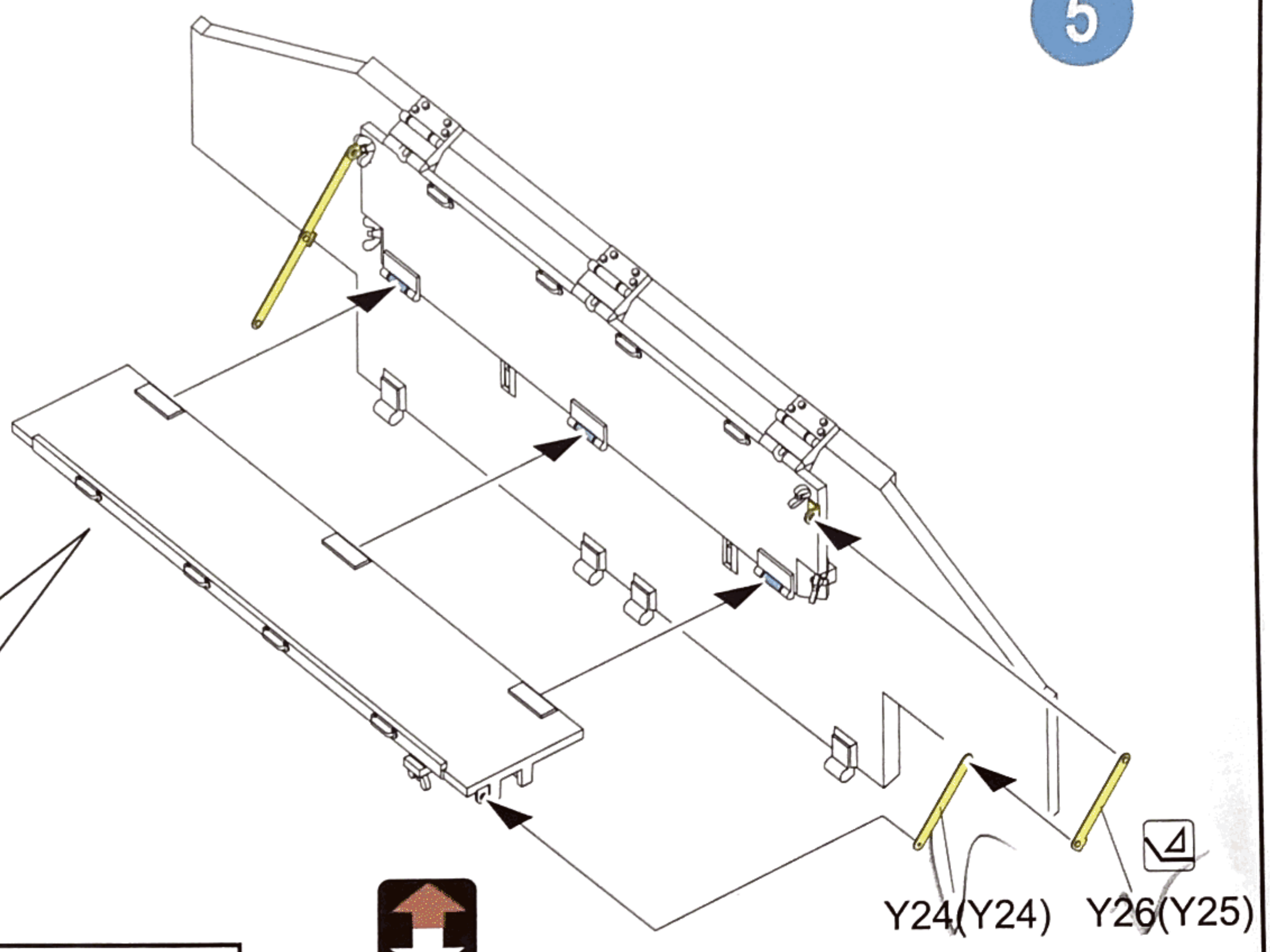
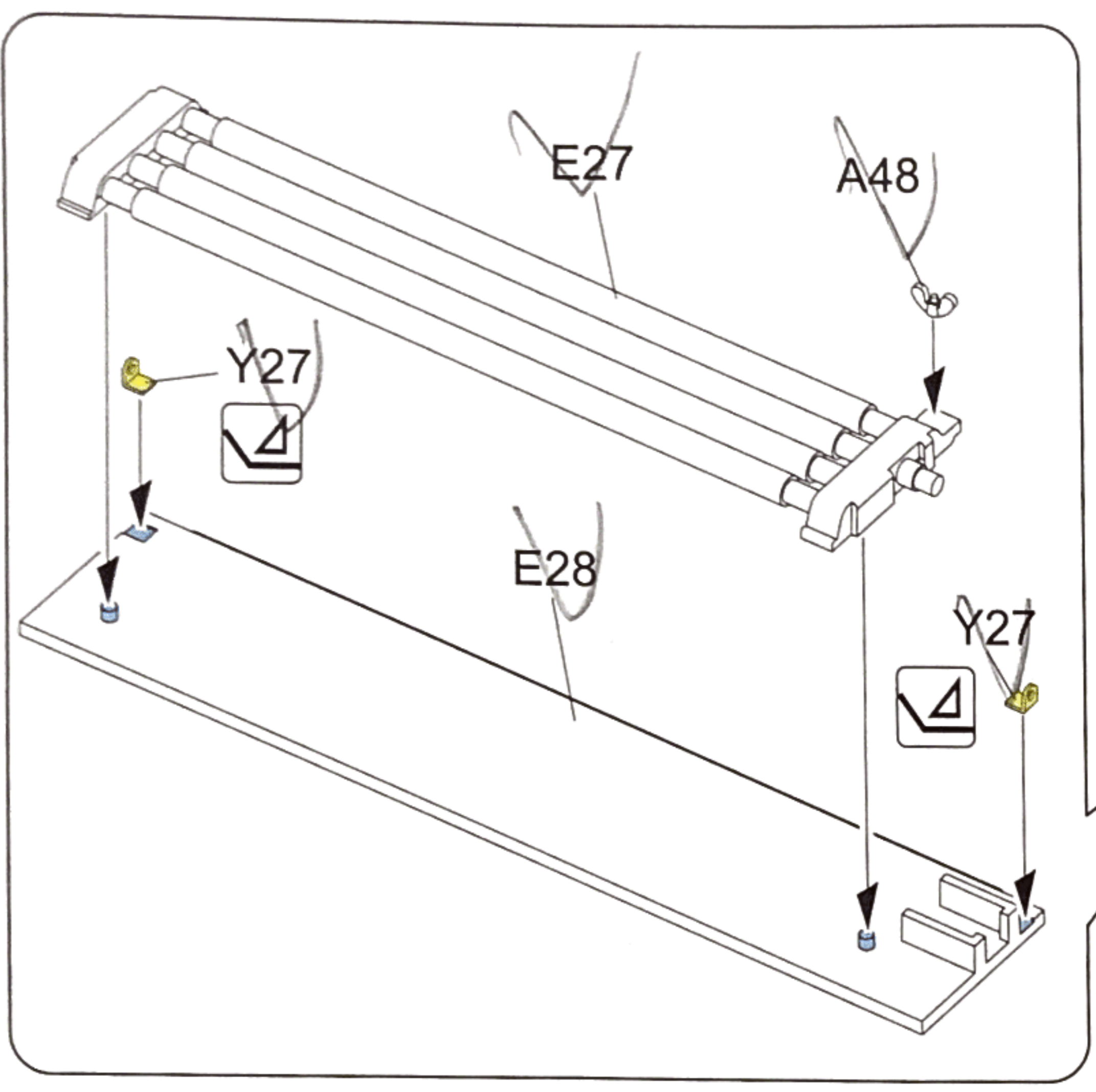
STEP 8



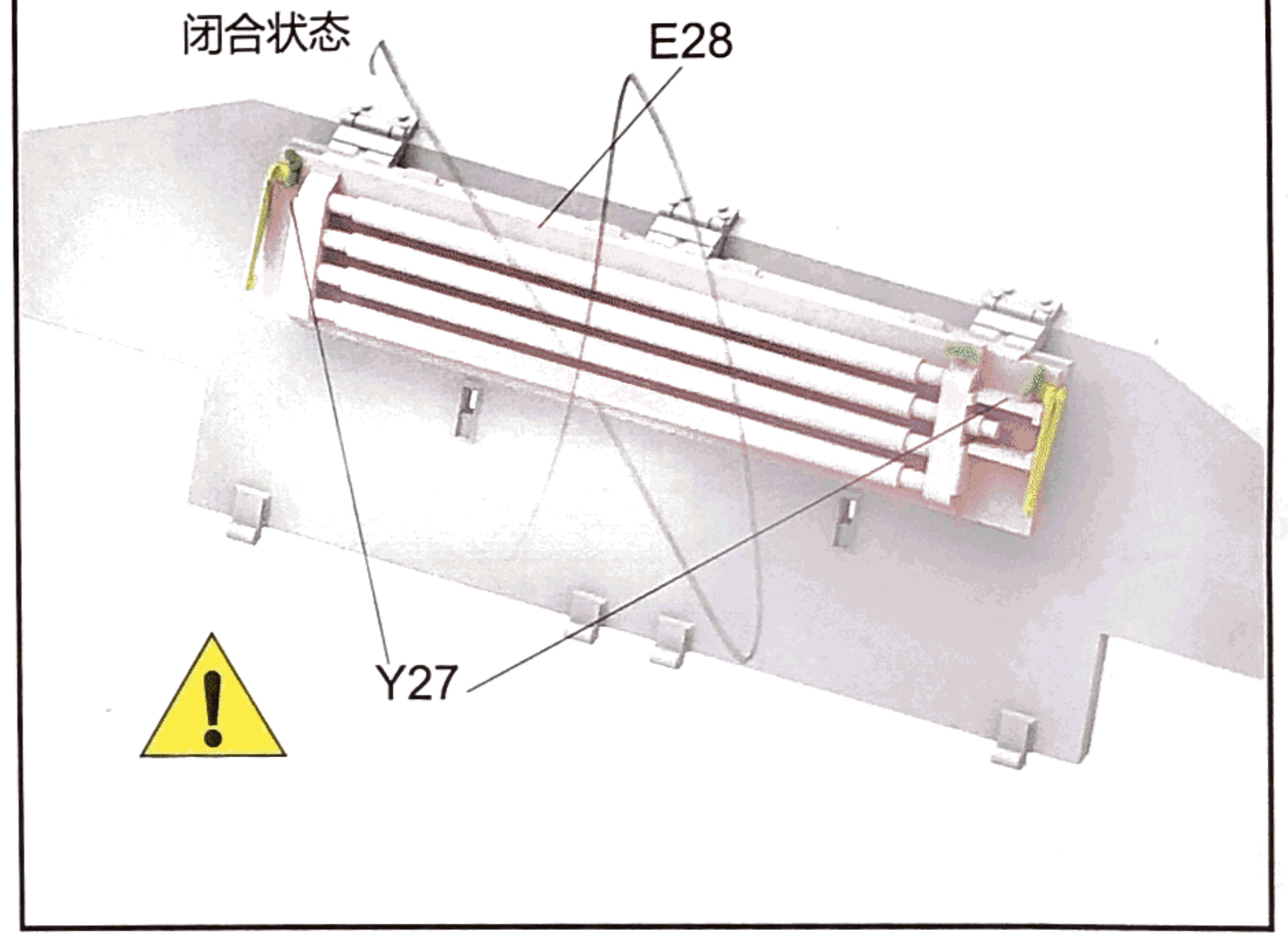
STEP 9



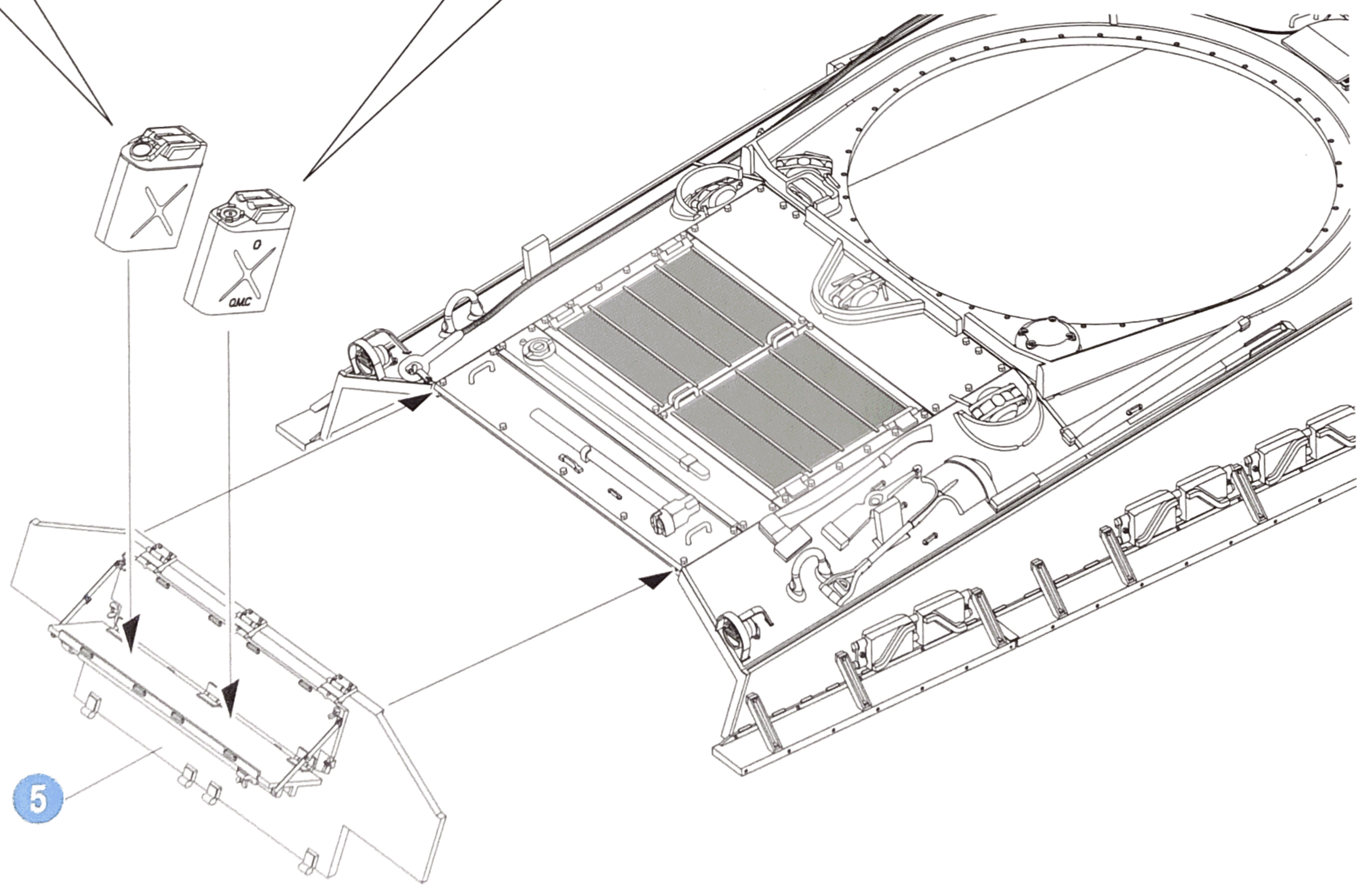
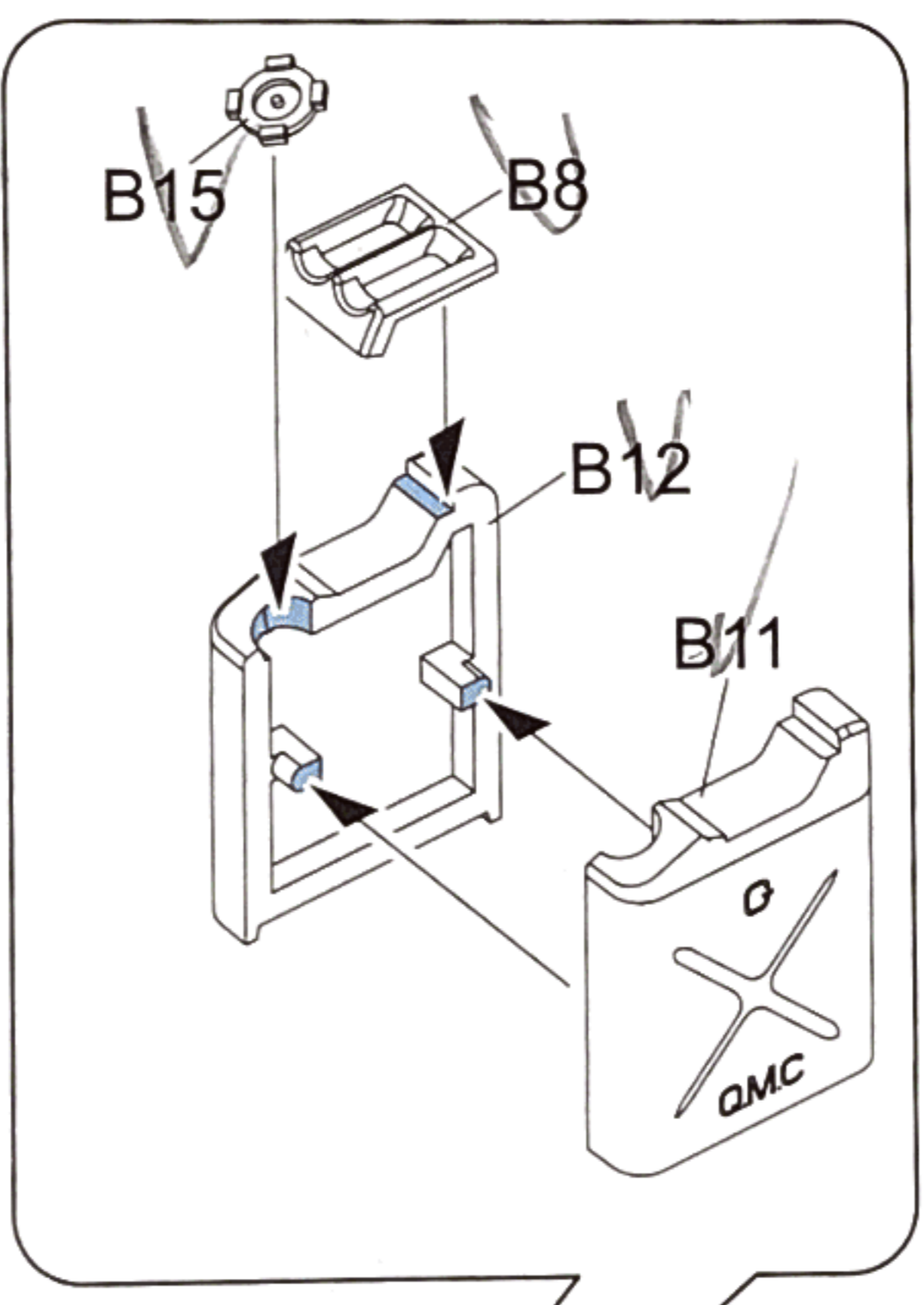
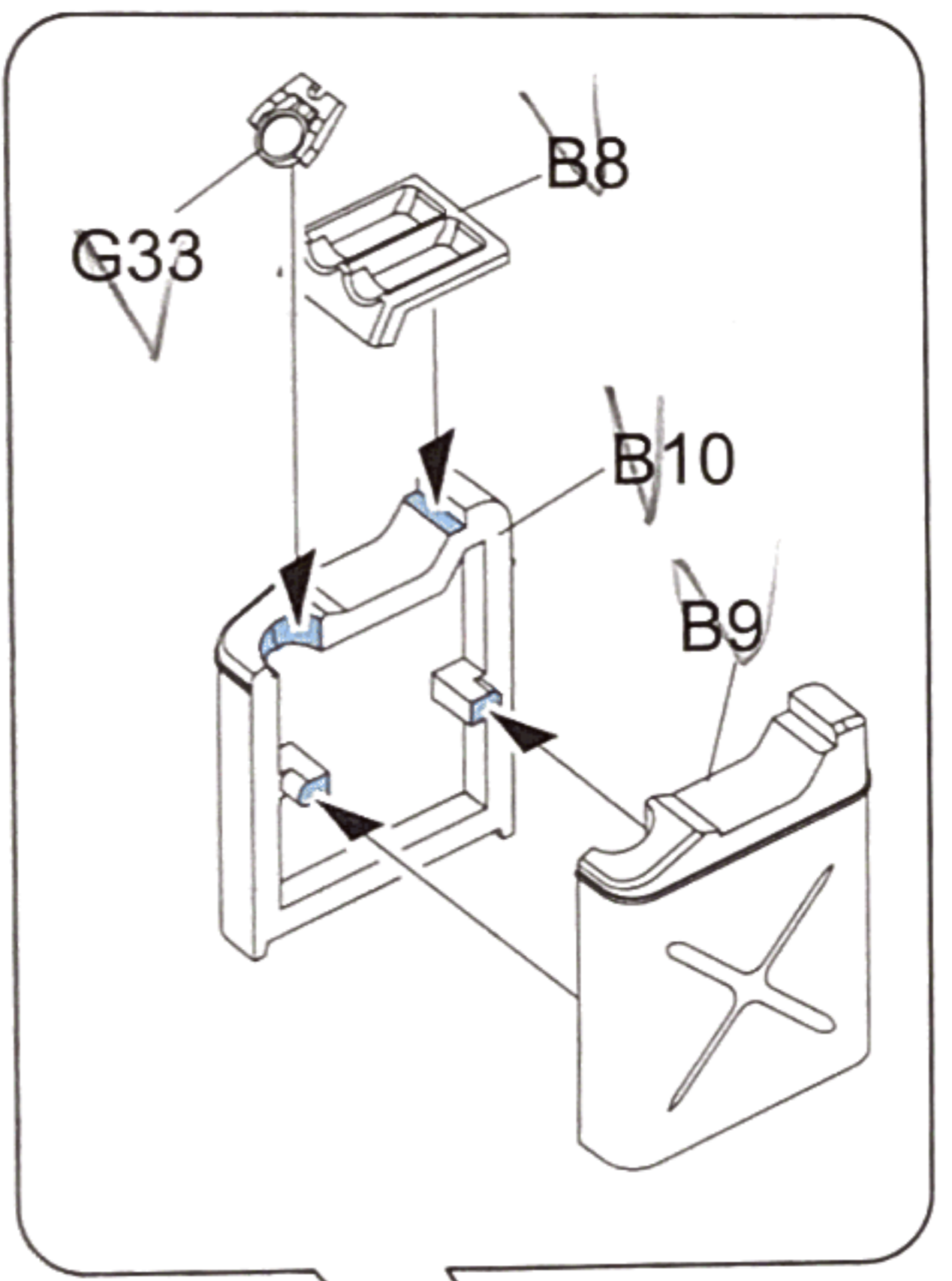
5



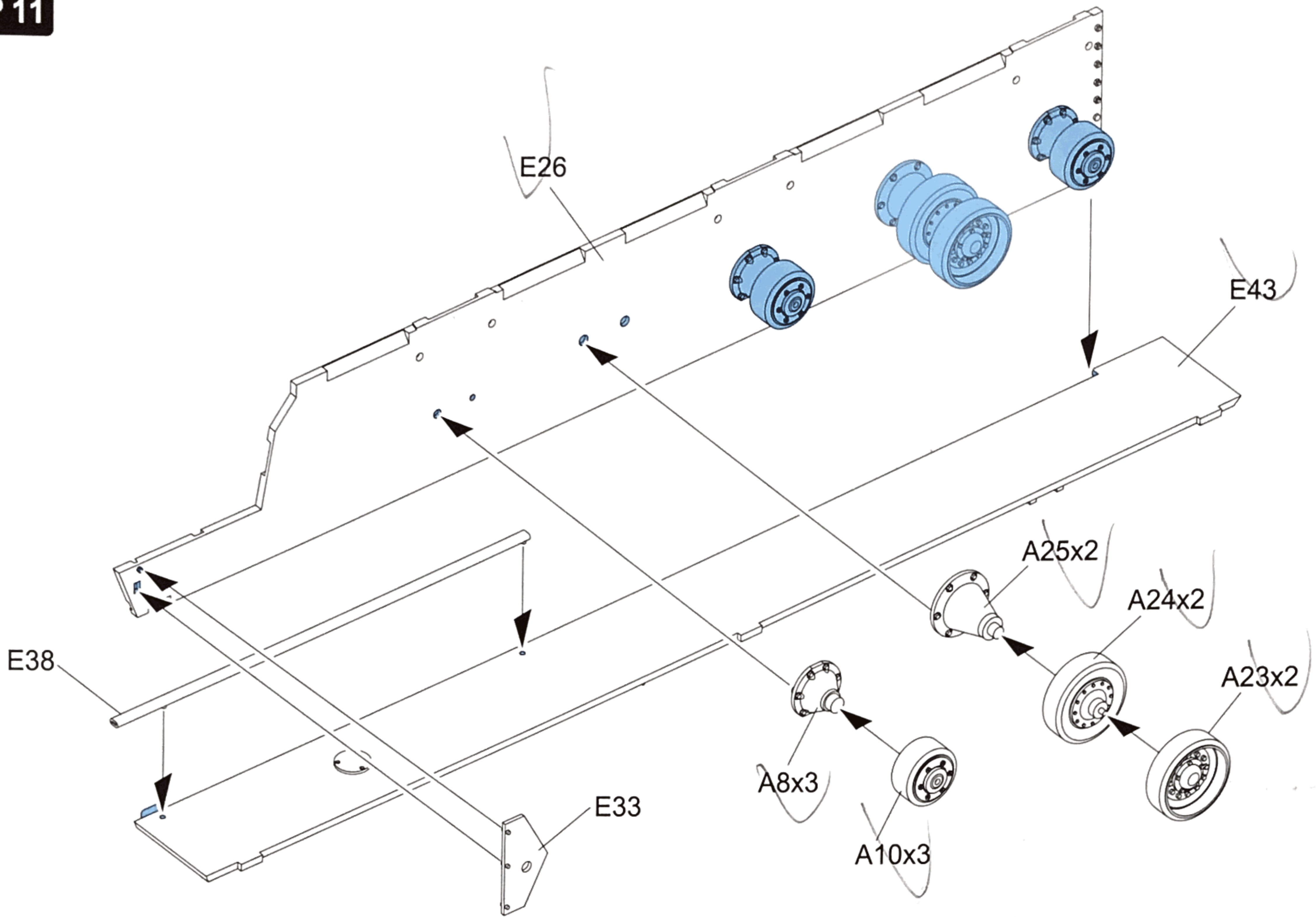
Closed
闭合状态



STEP 10

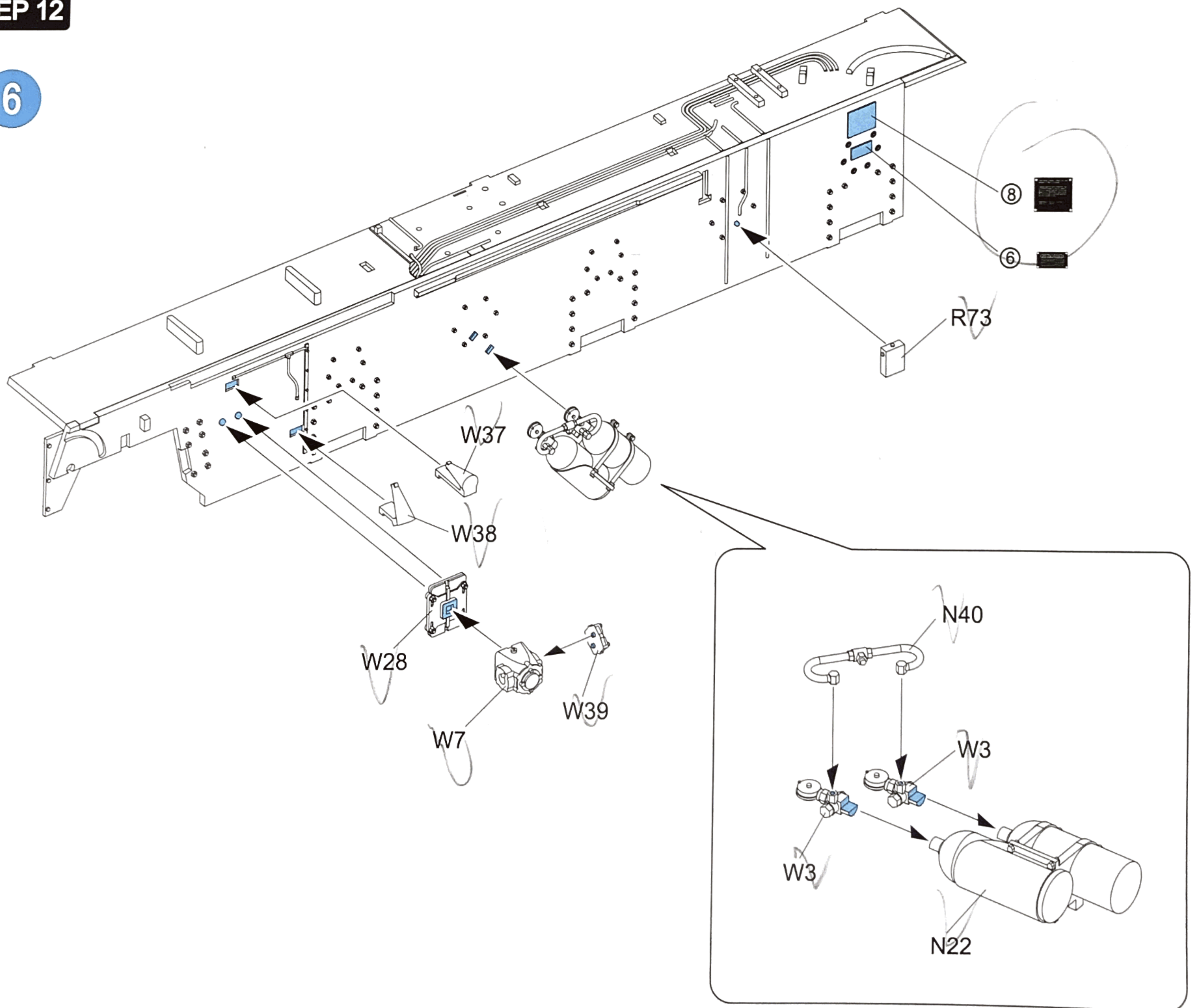


STEP 11

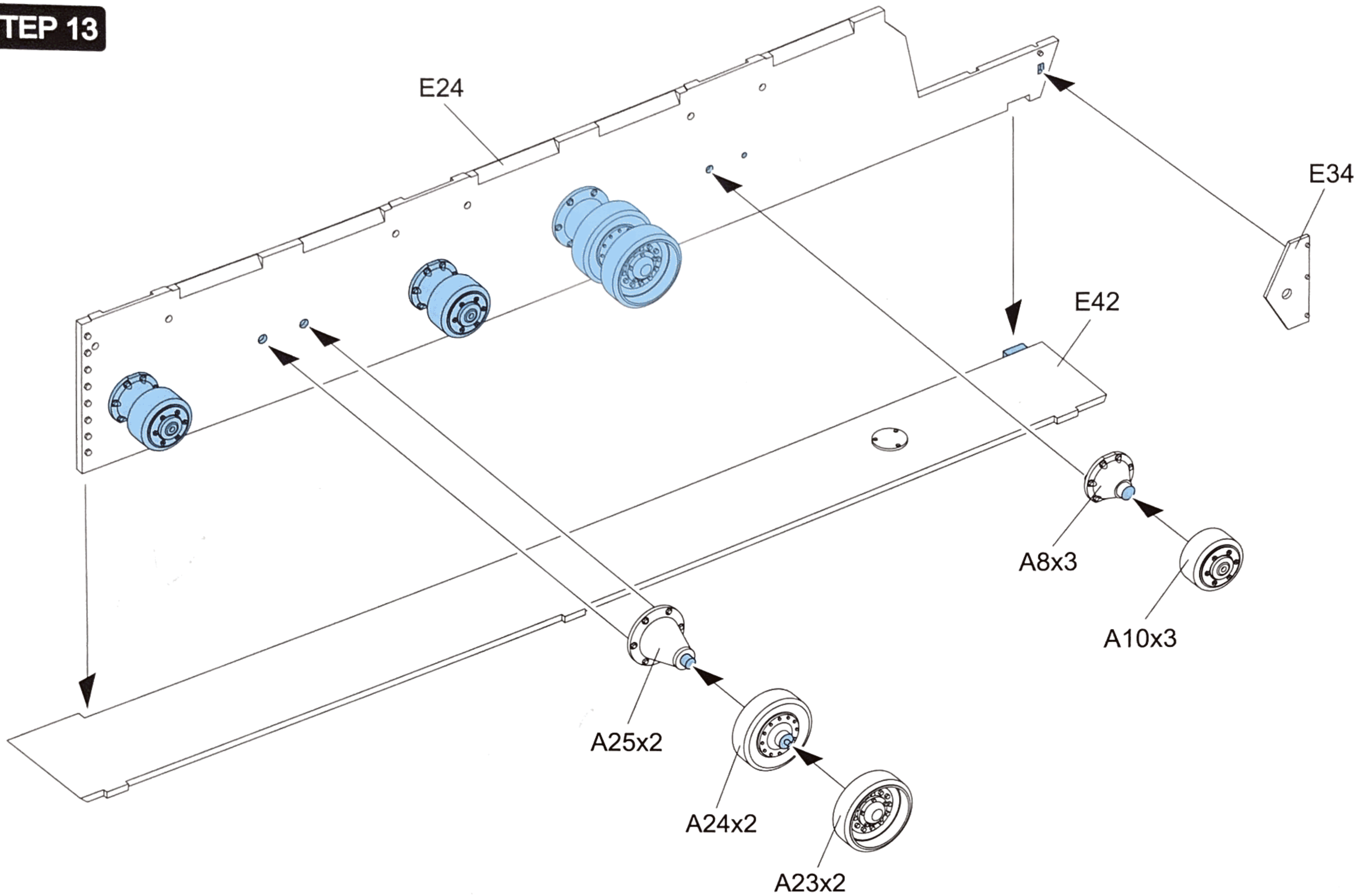


STEP 12

6

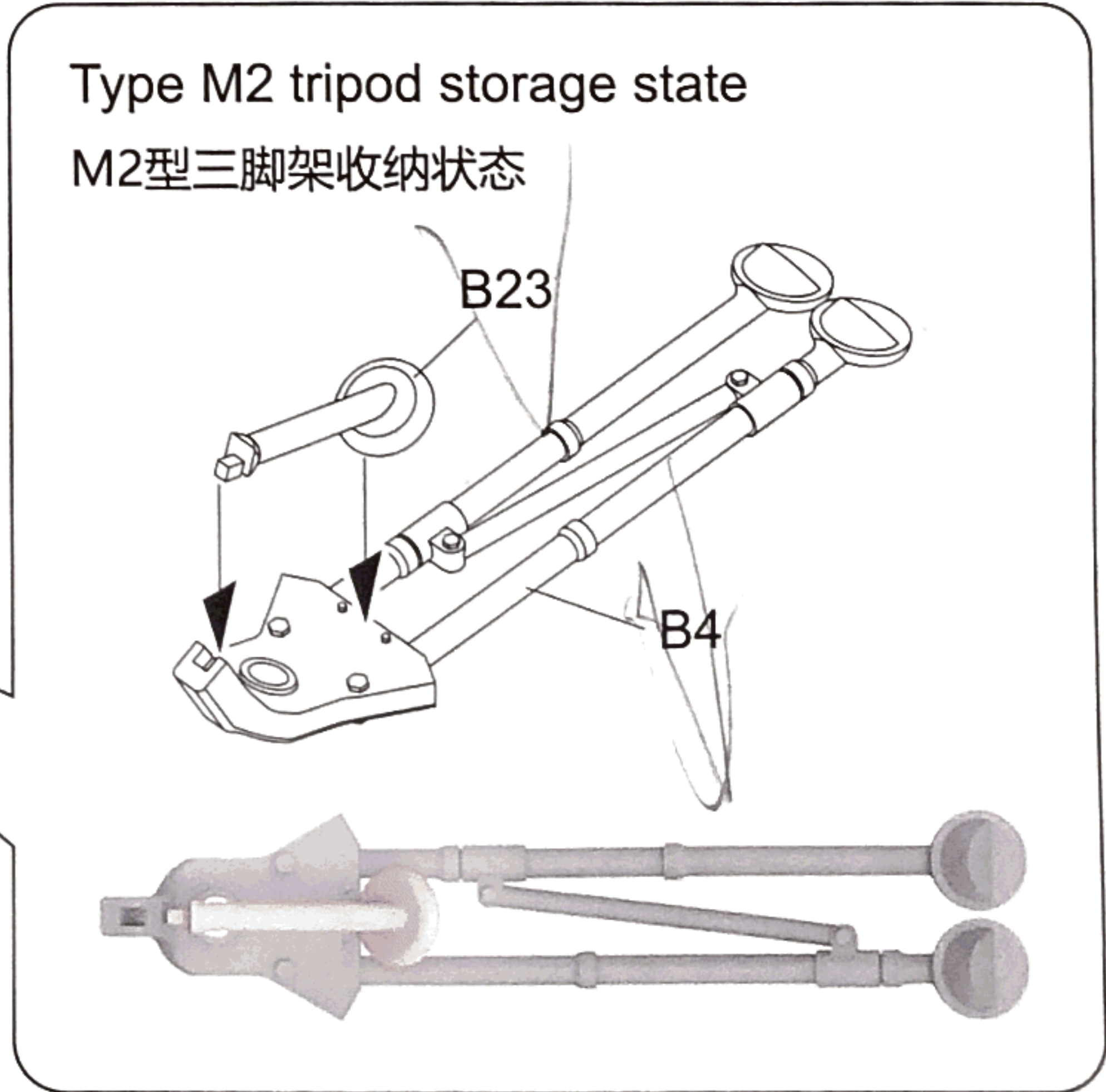
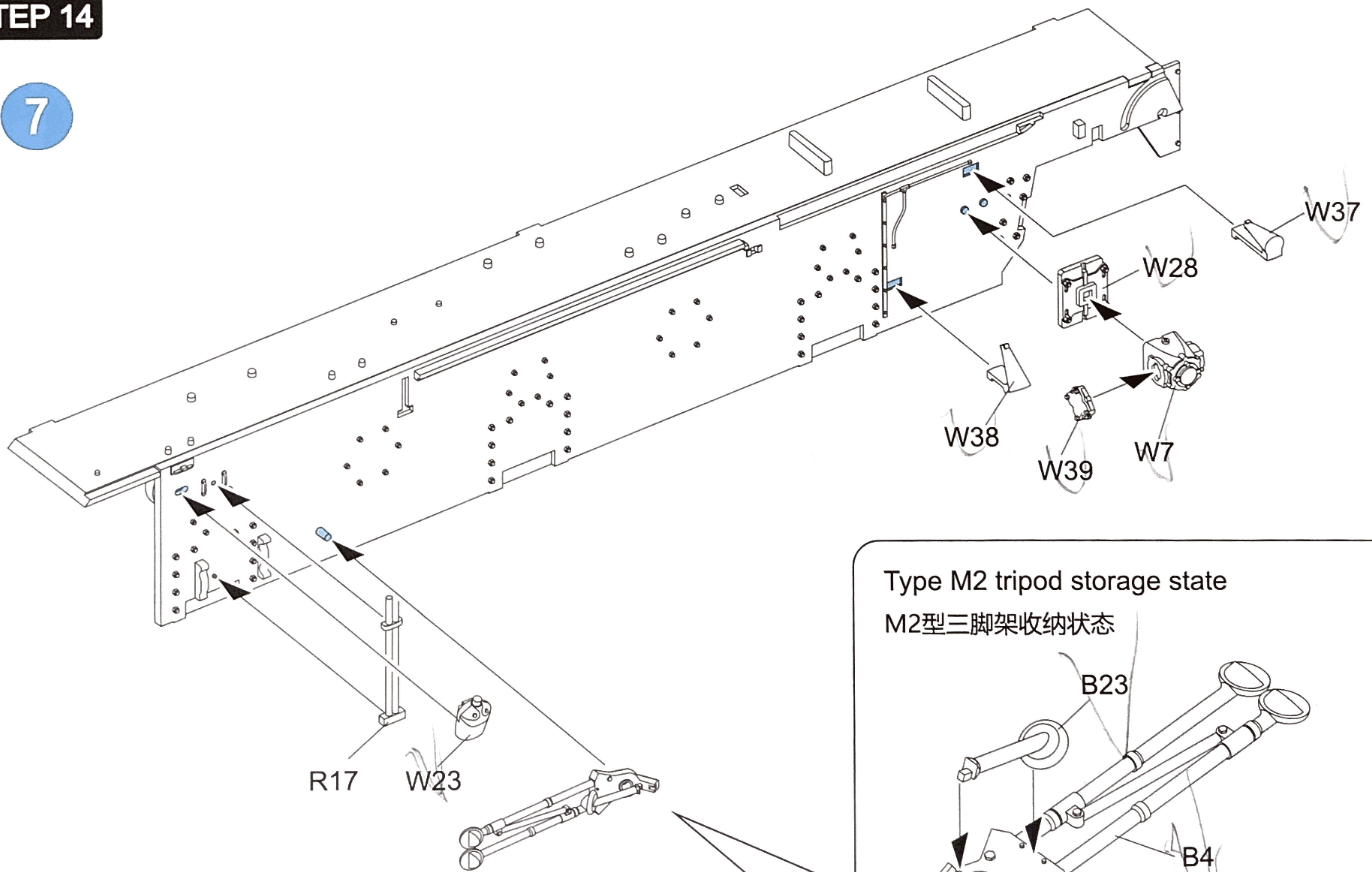


STEP 13

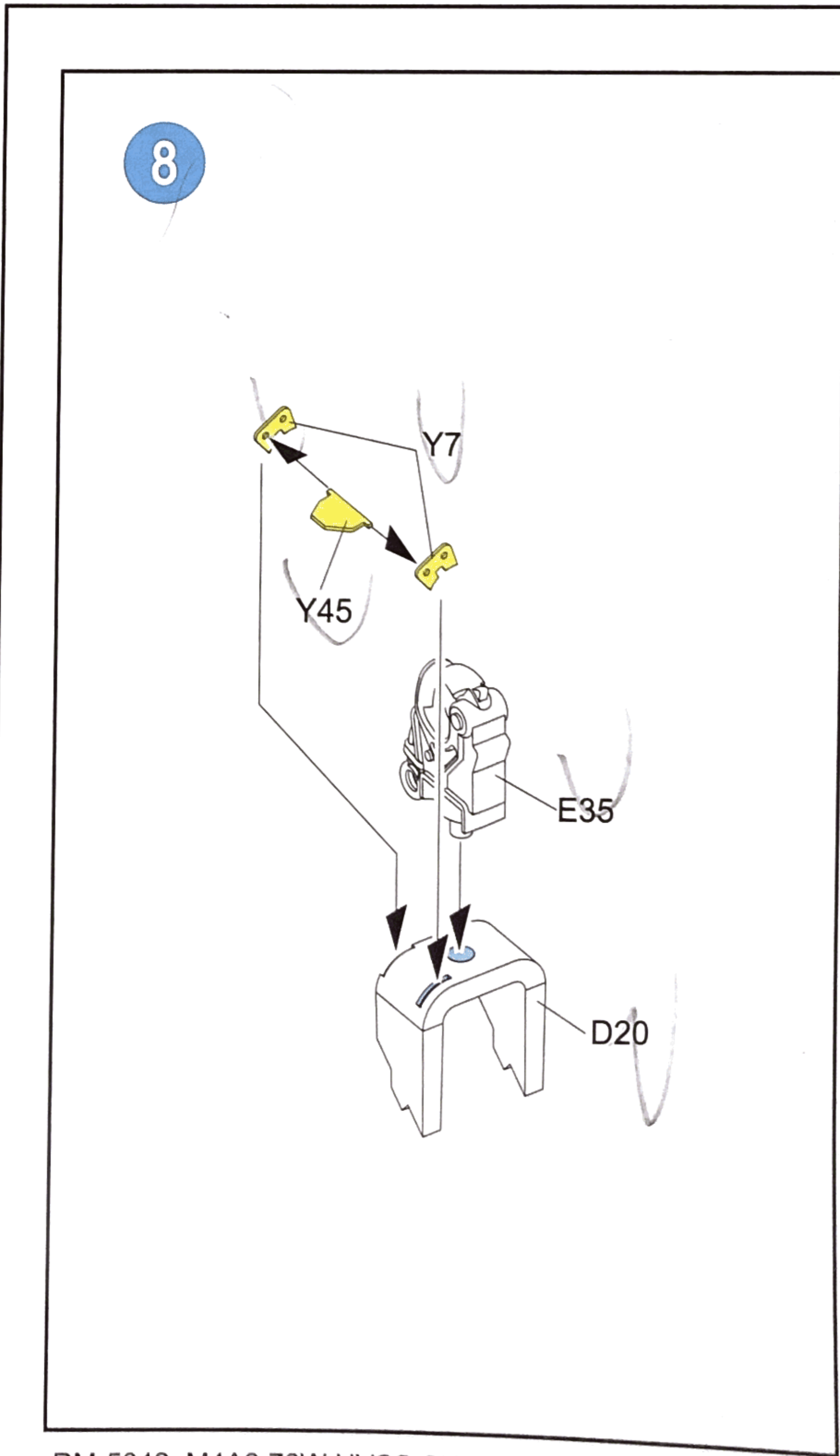
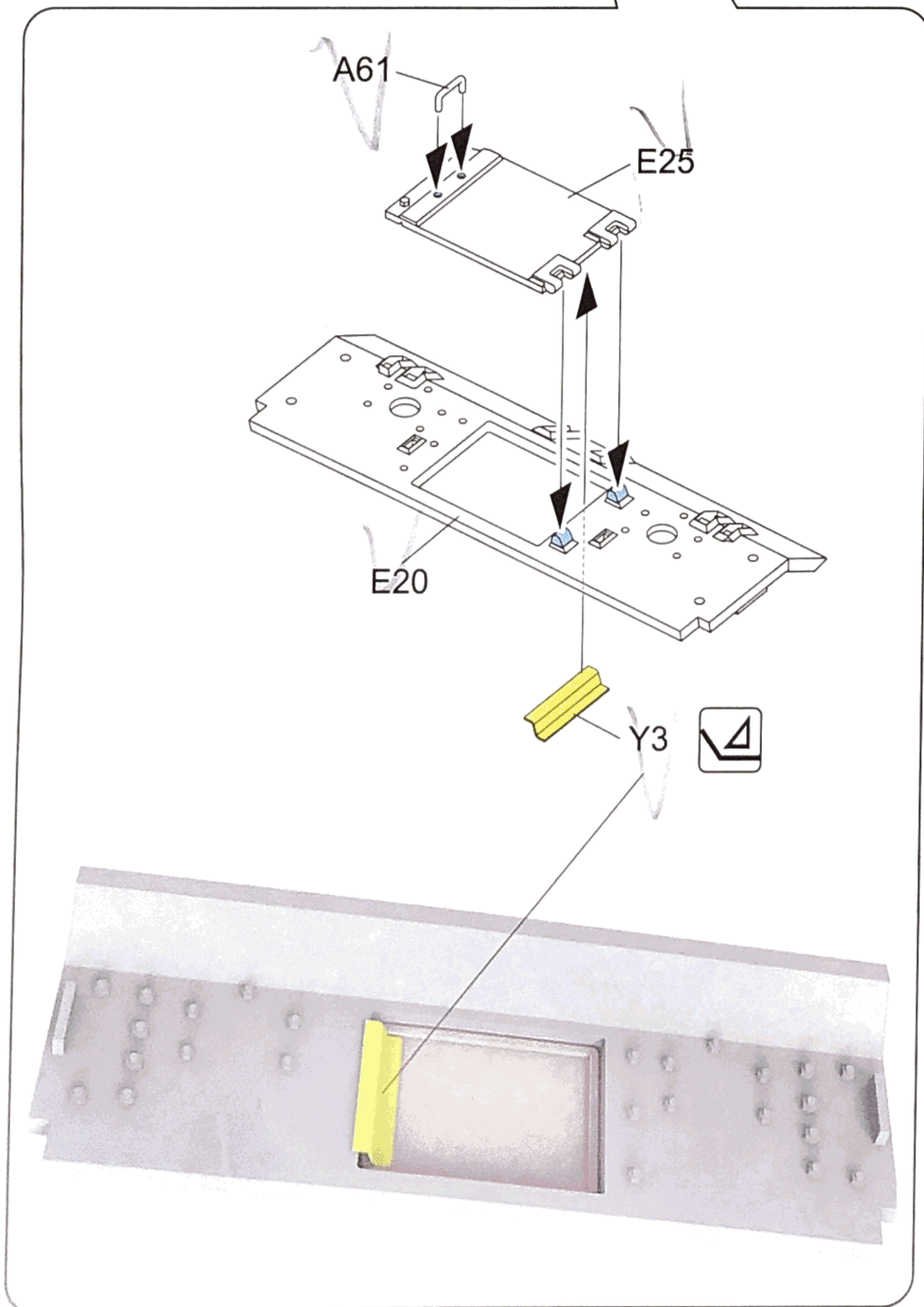
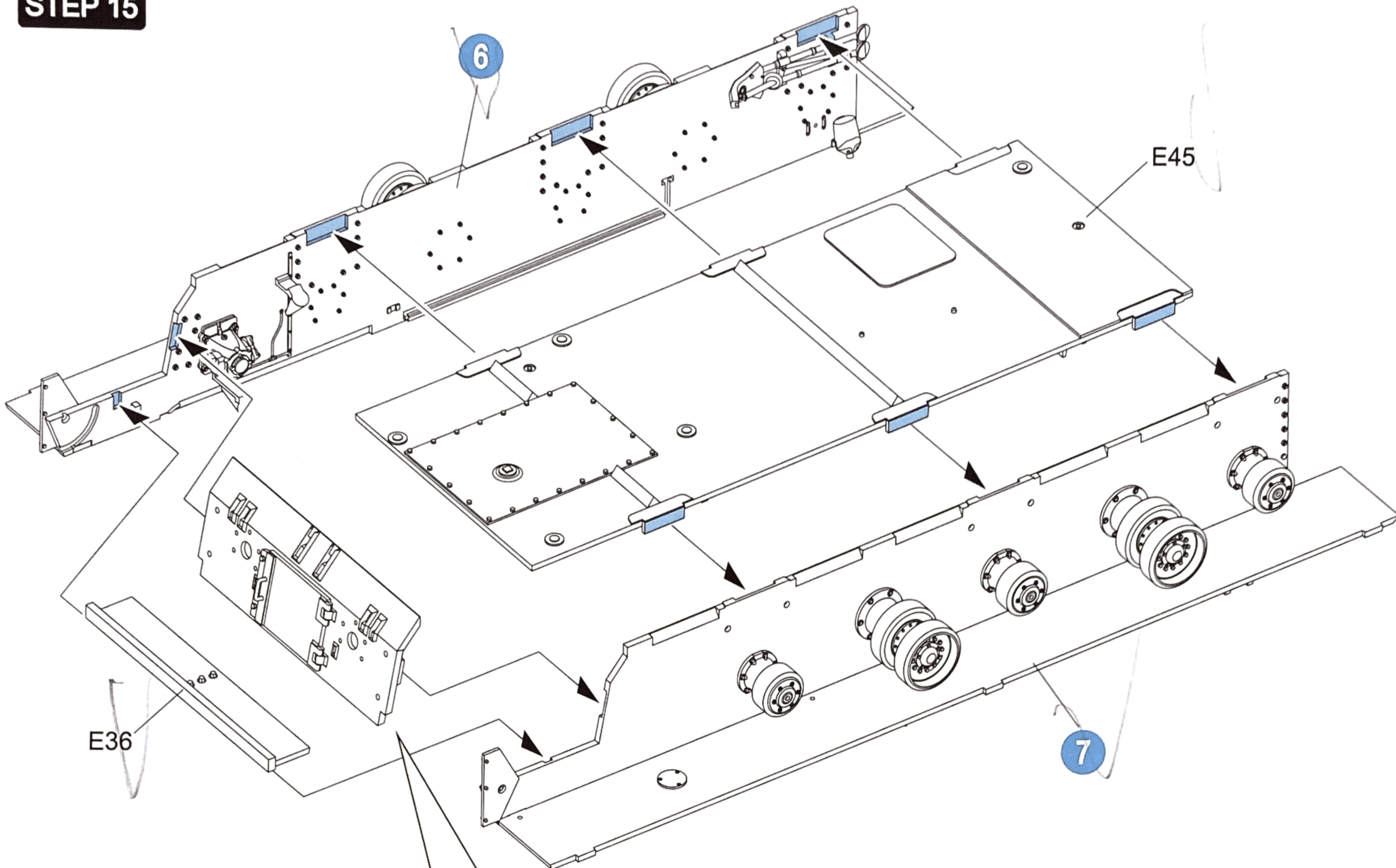


STEP 14

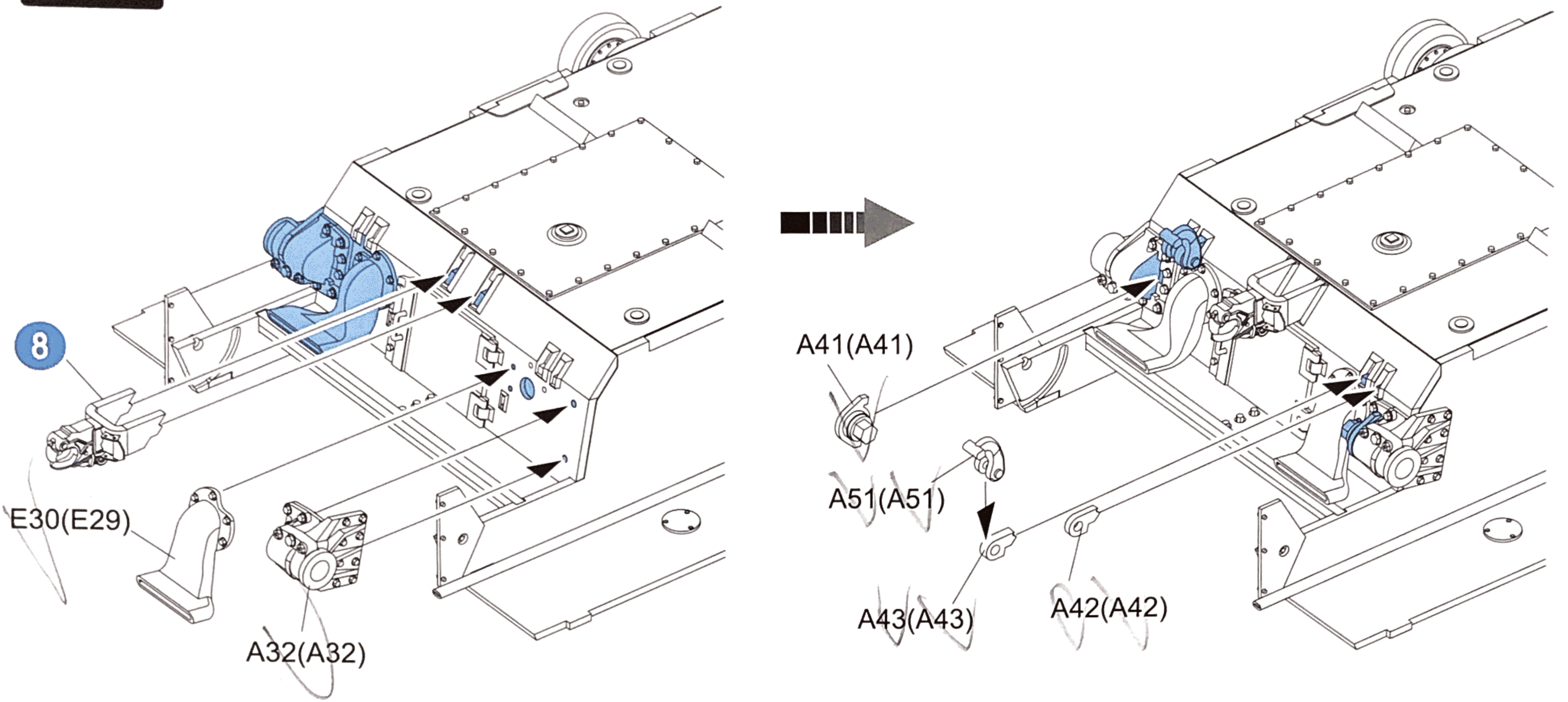
7



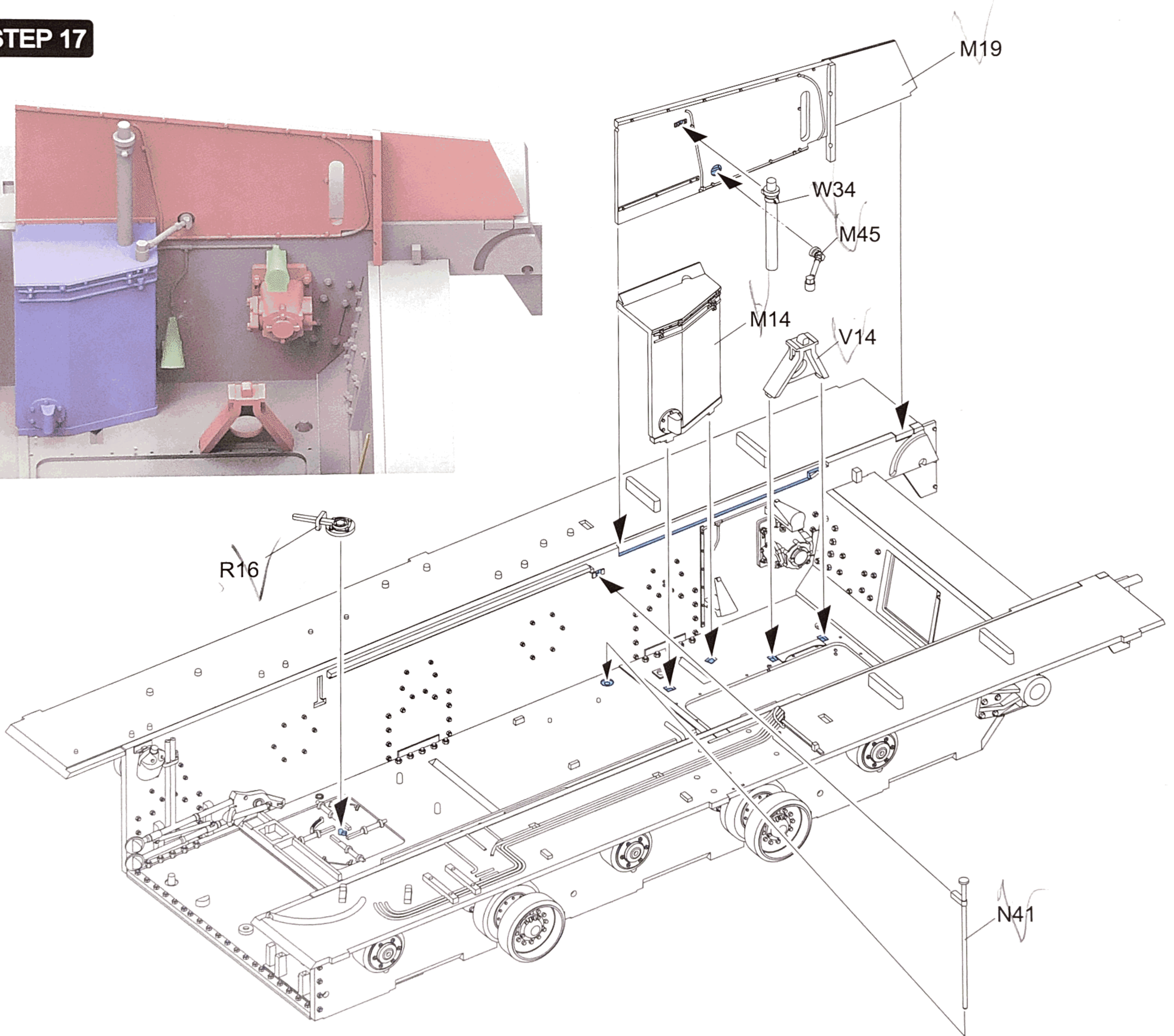
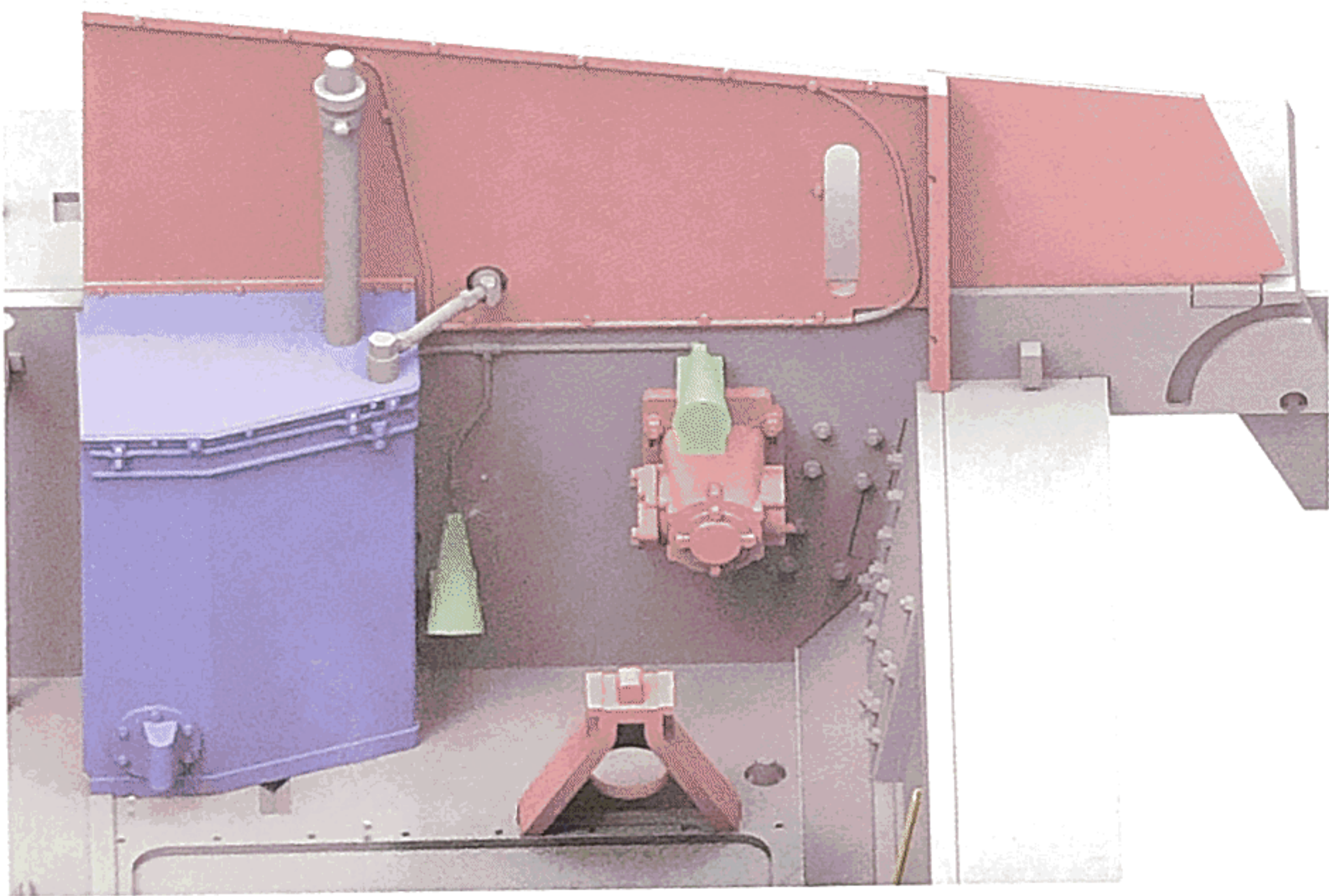
STEP 15



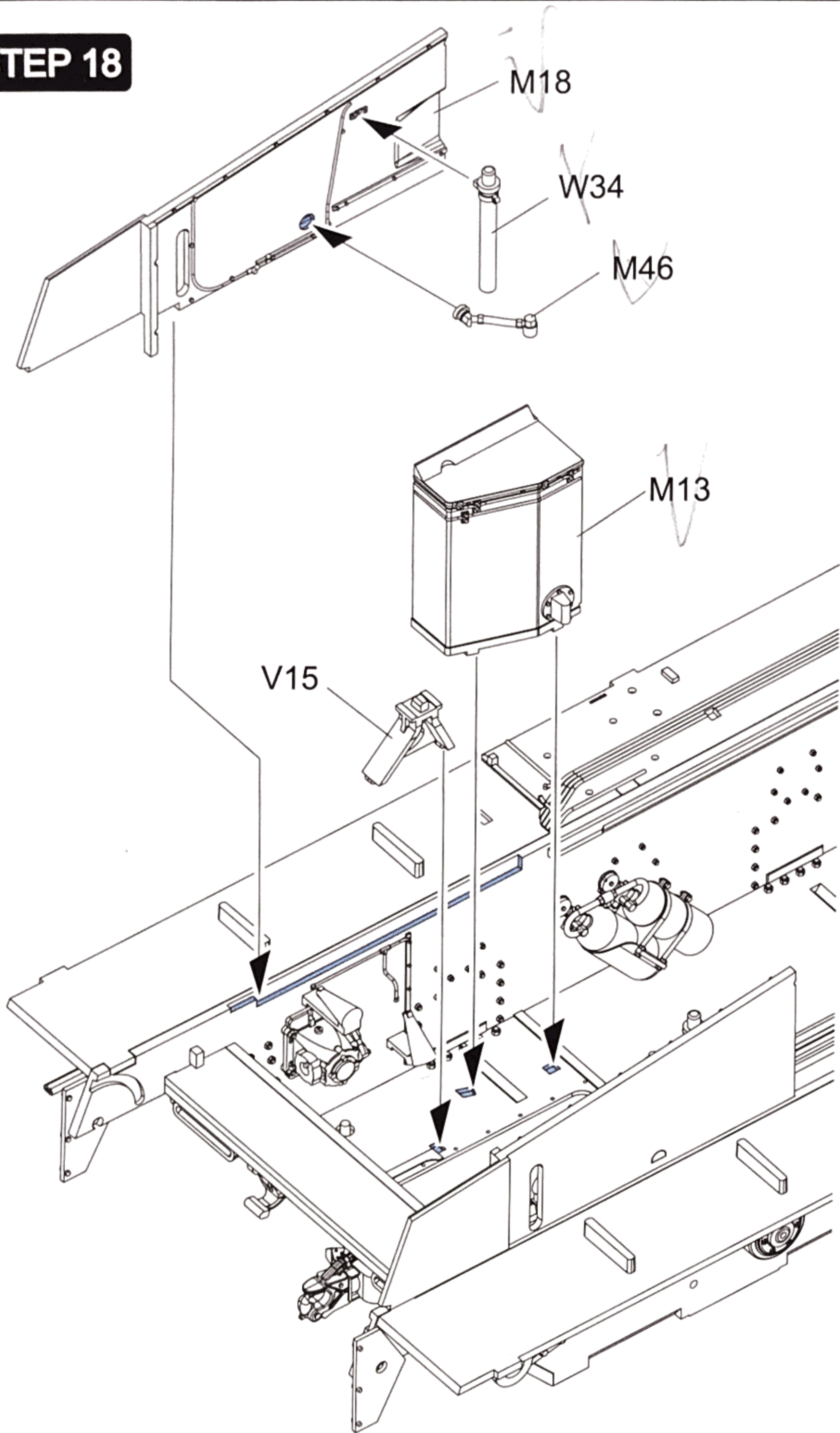
STEP 16



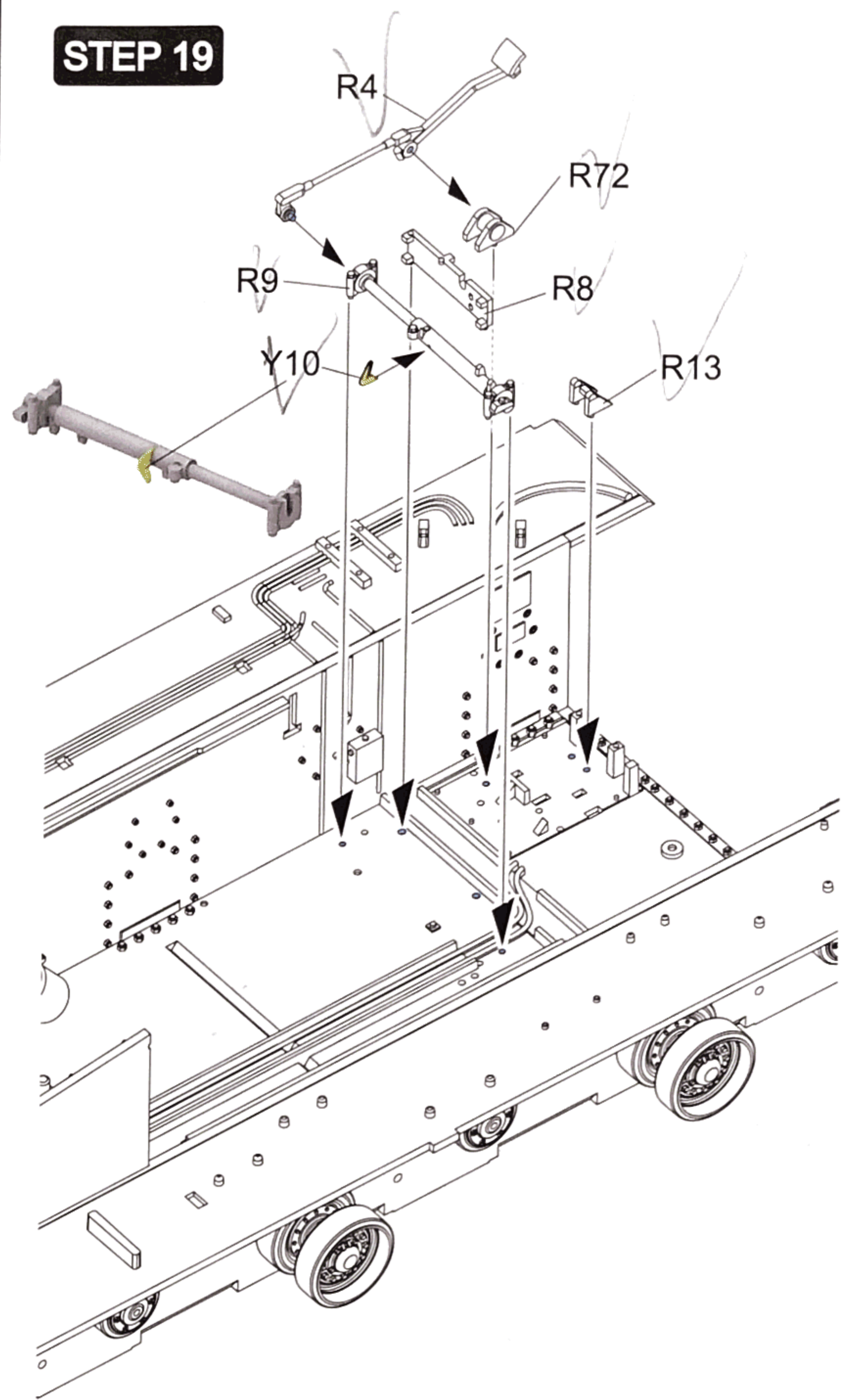
STEP 17



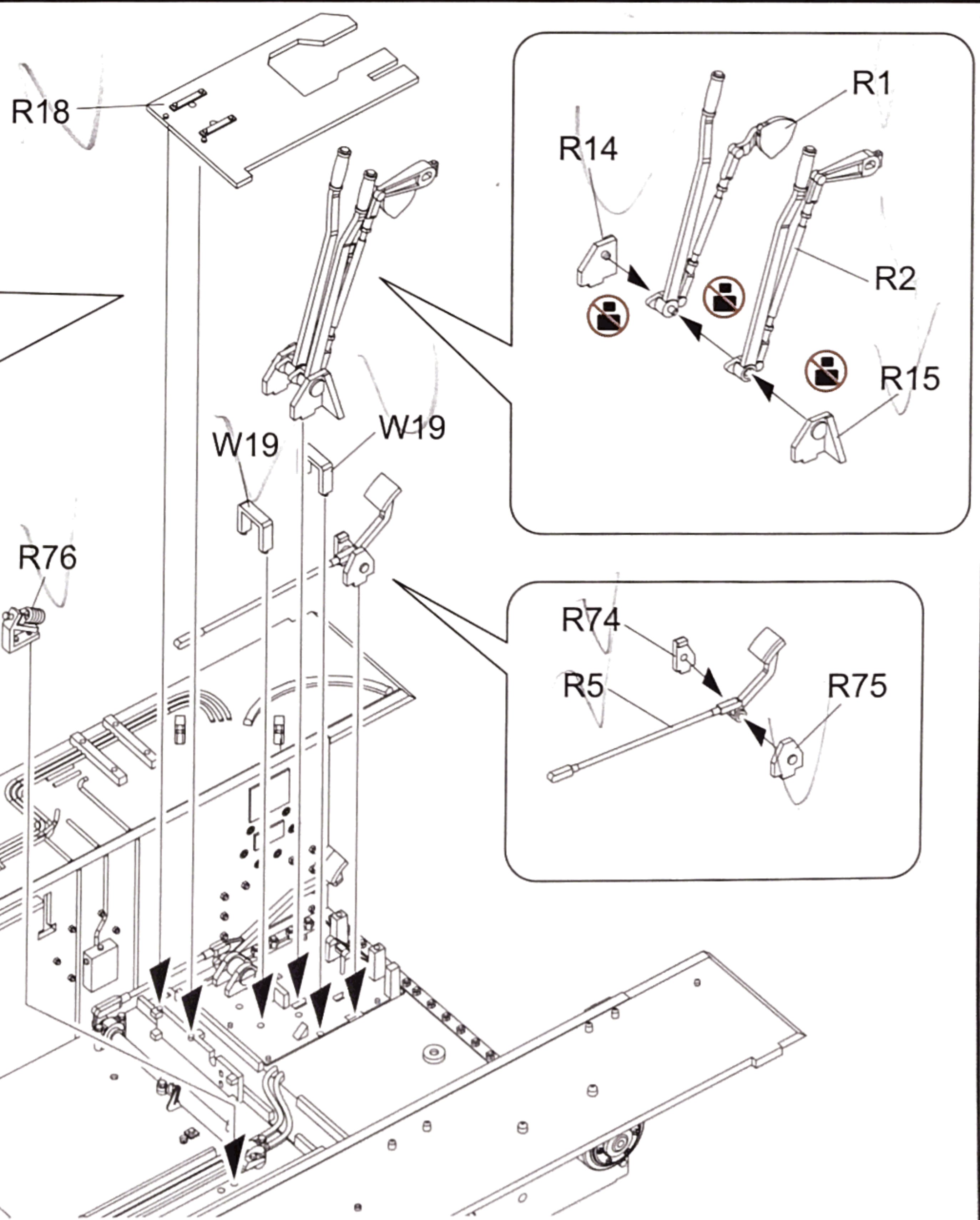
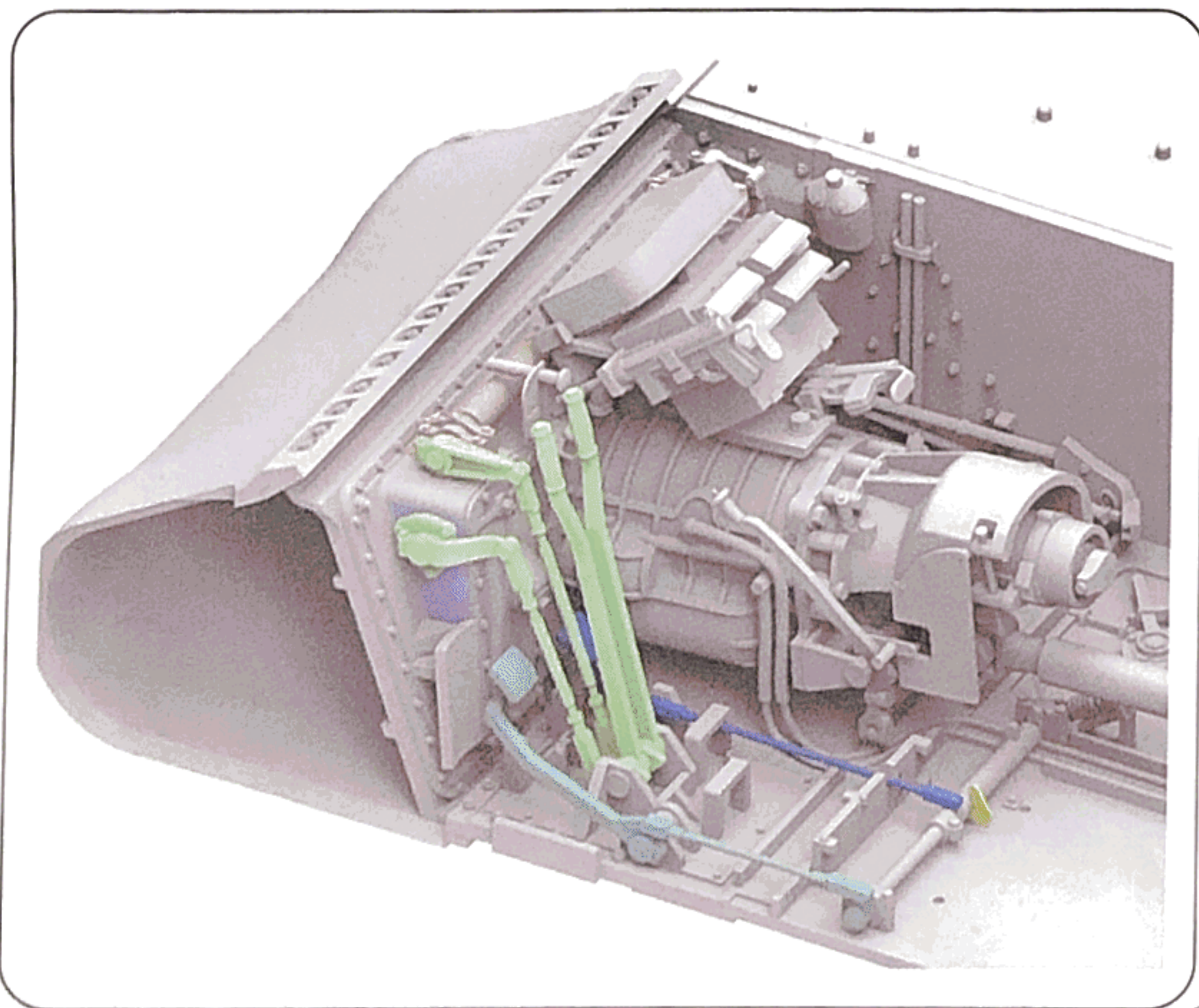
STEP 18



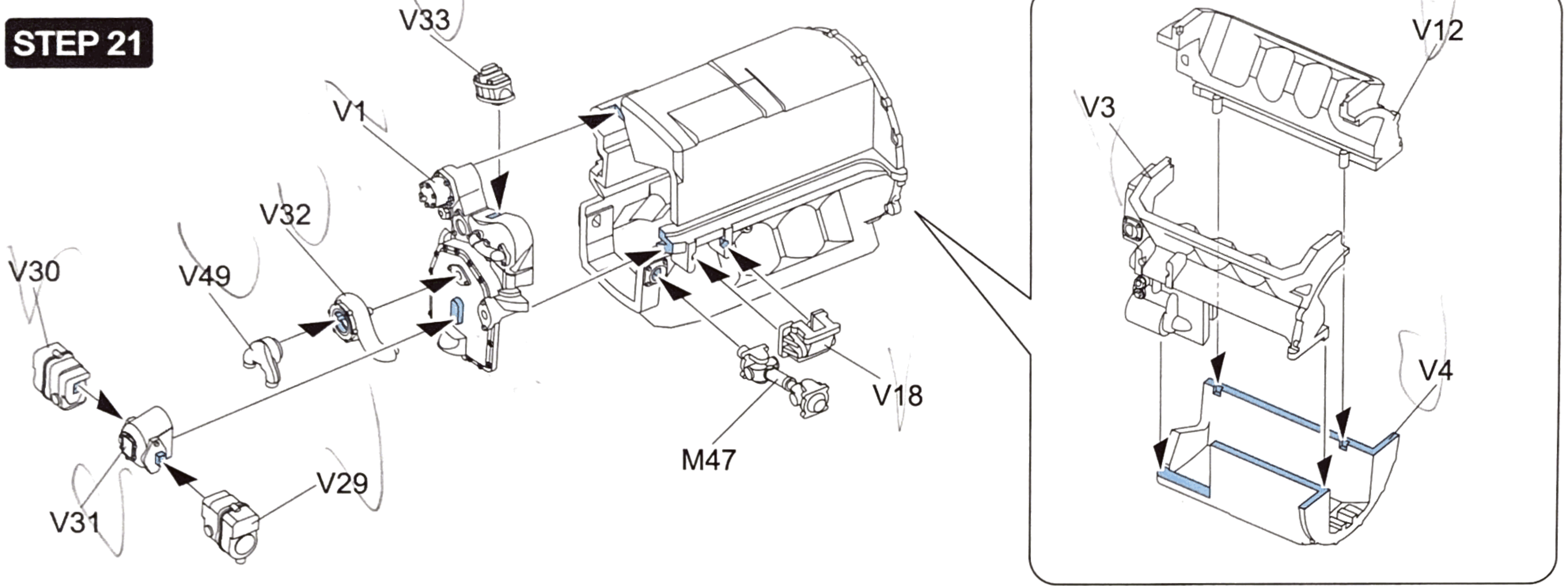
STEP 19



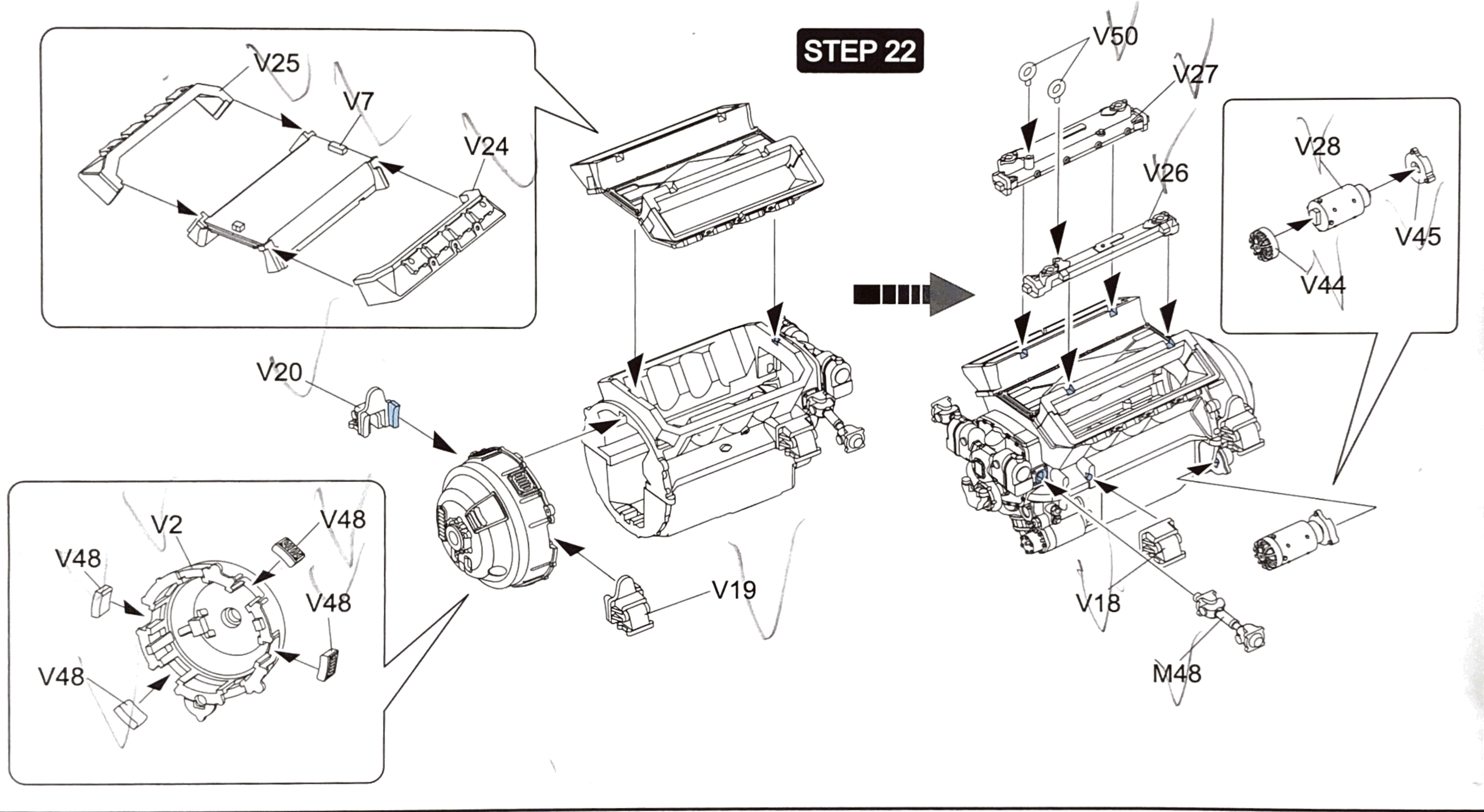
STEP 20



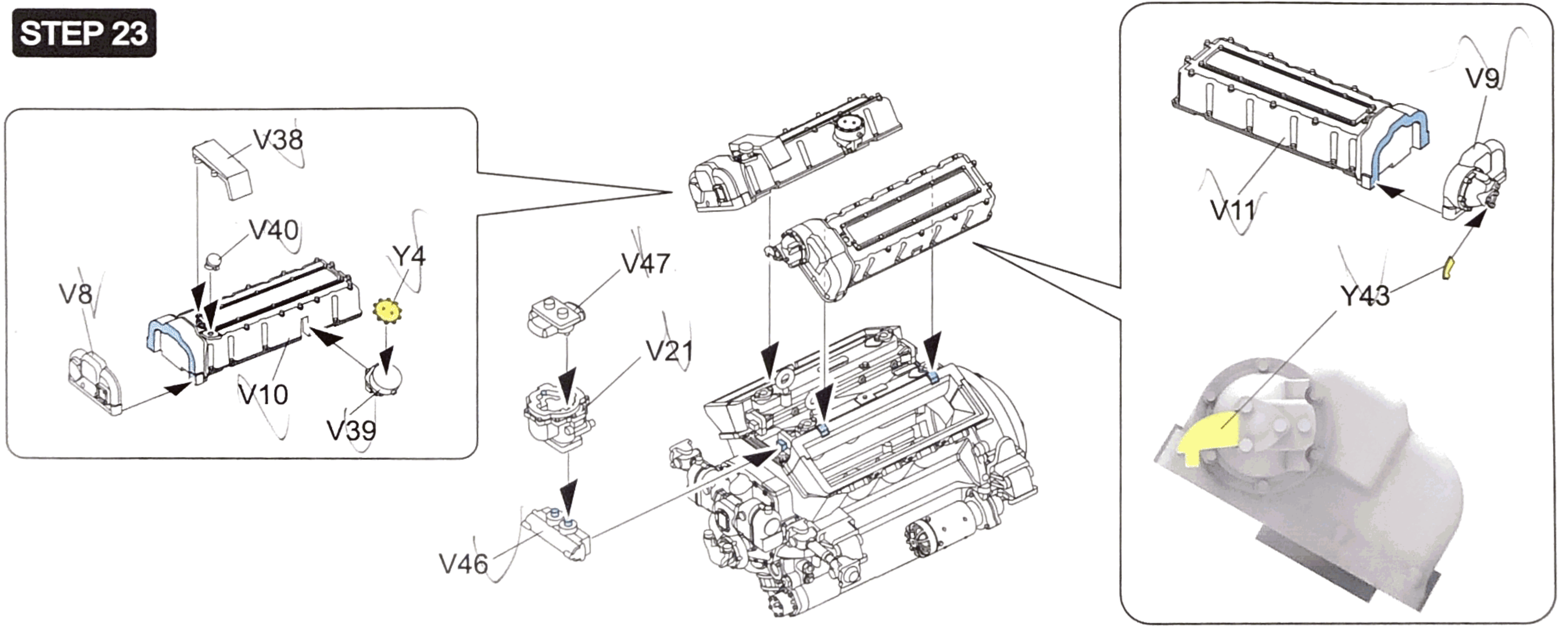
STEP 21



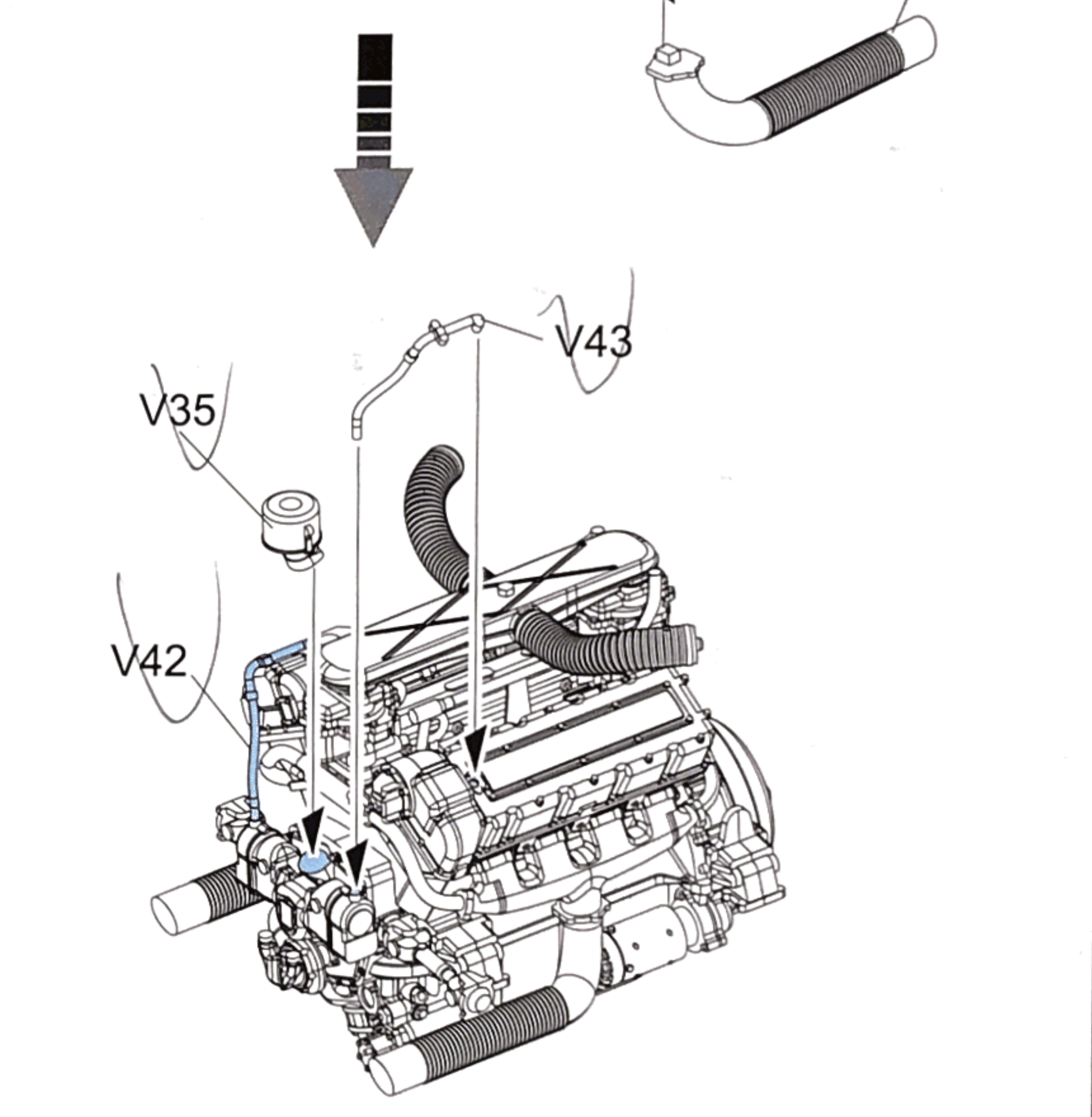
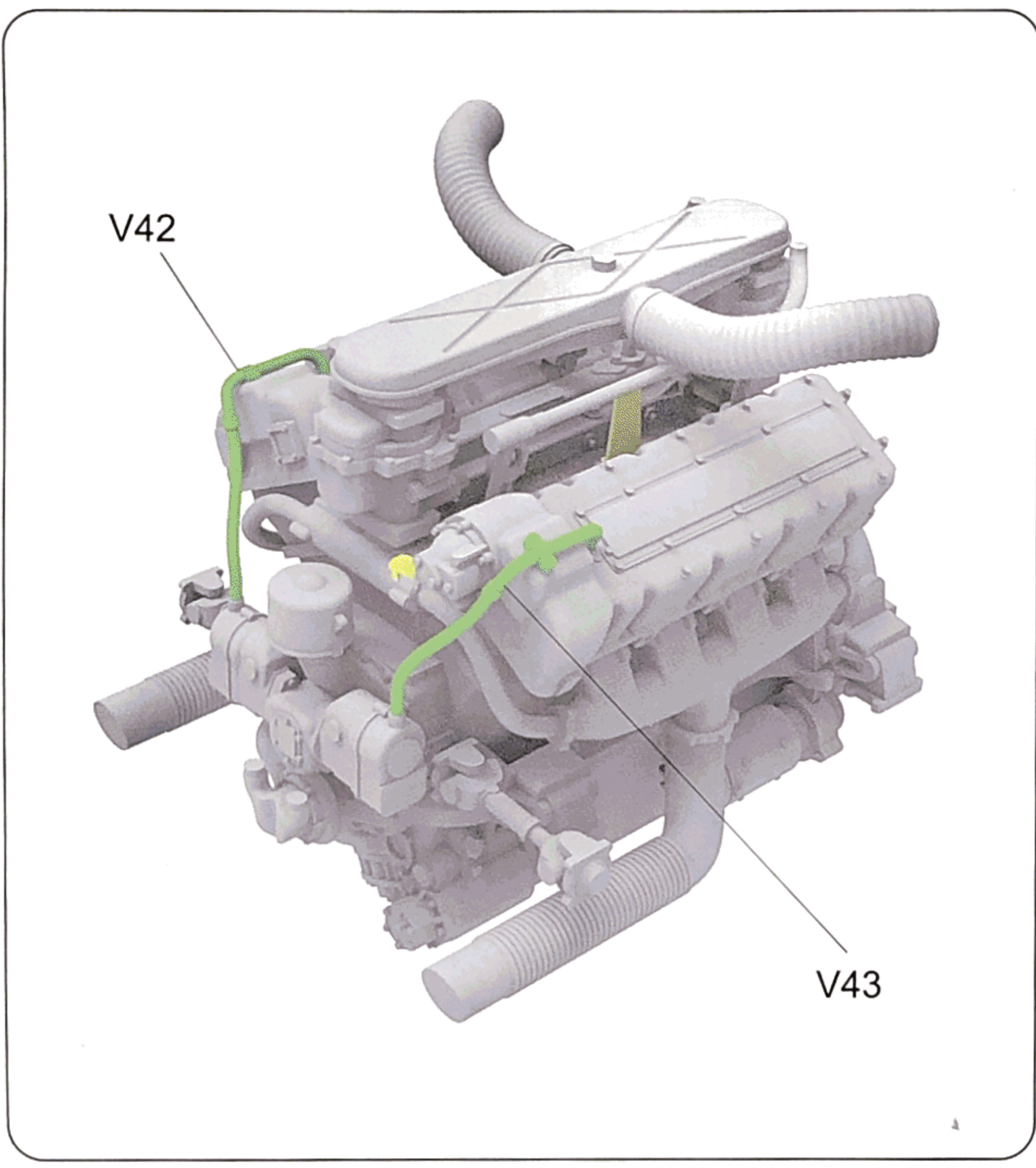
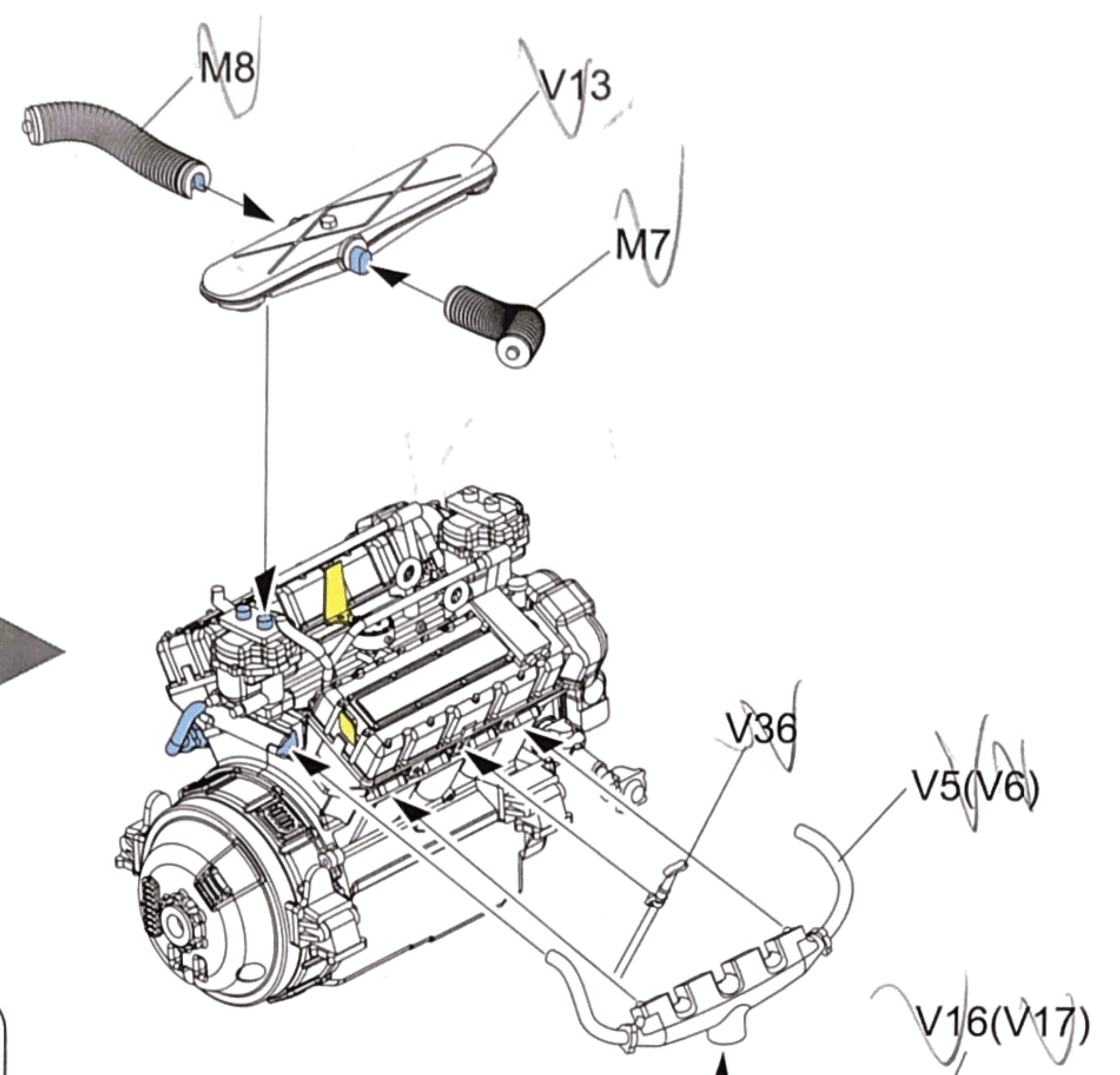
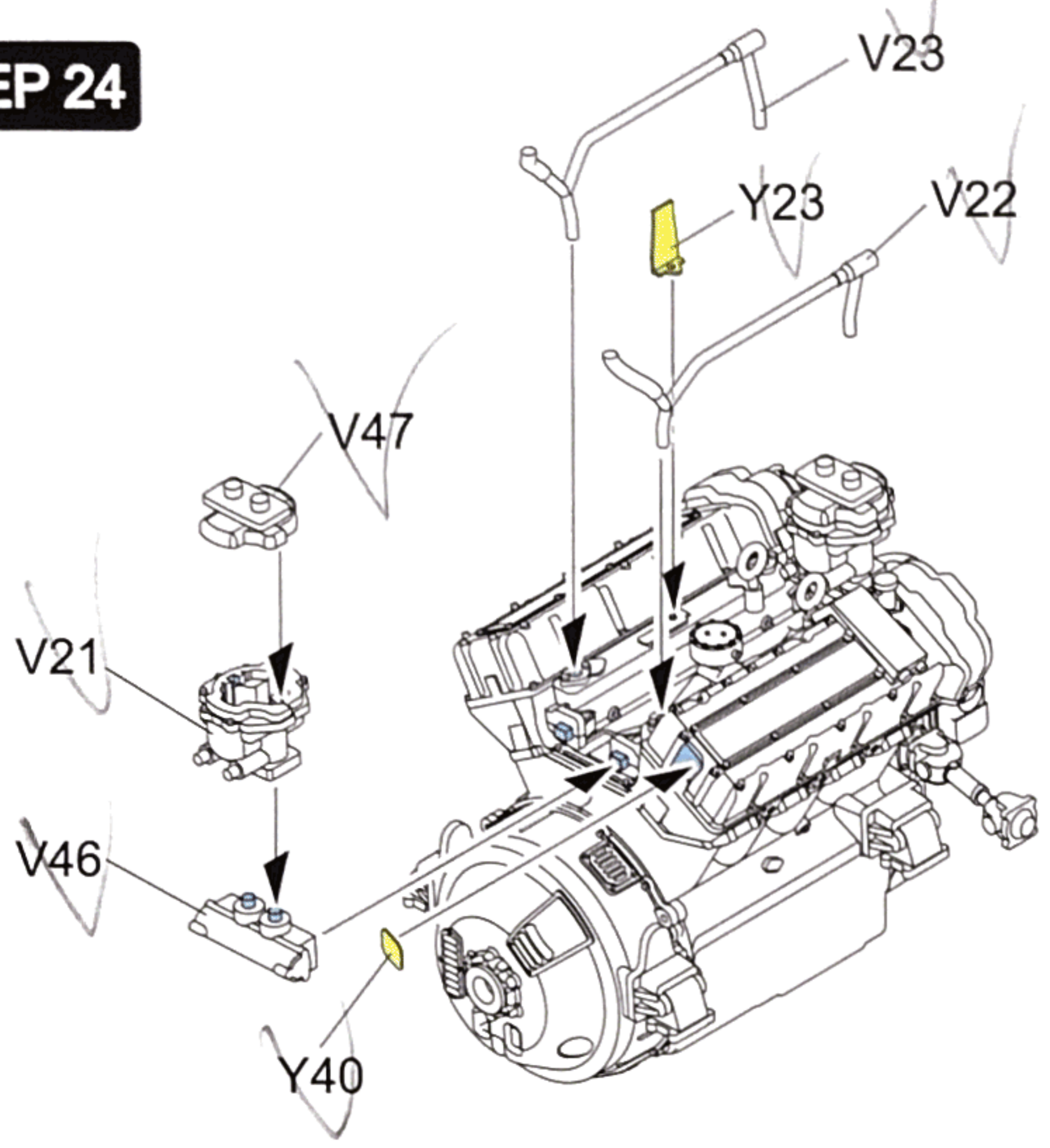
STEP 22



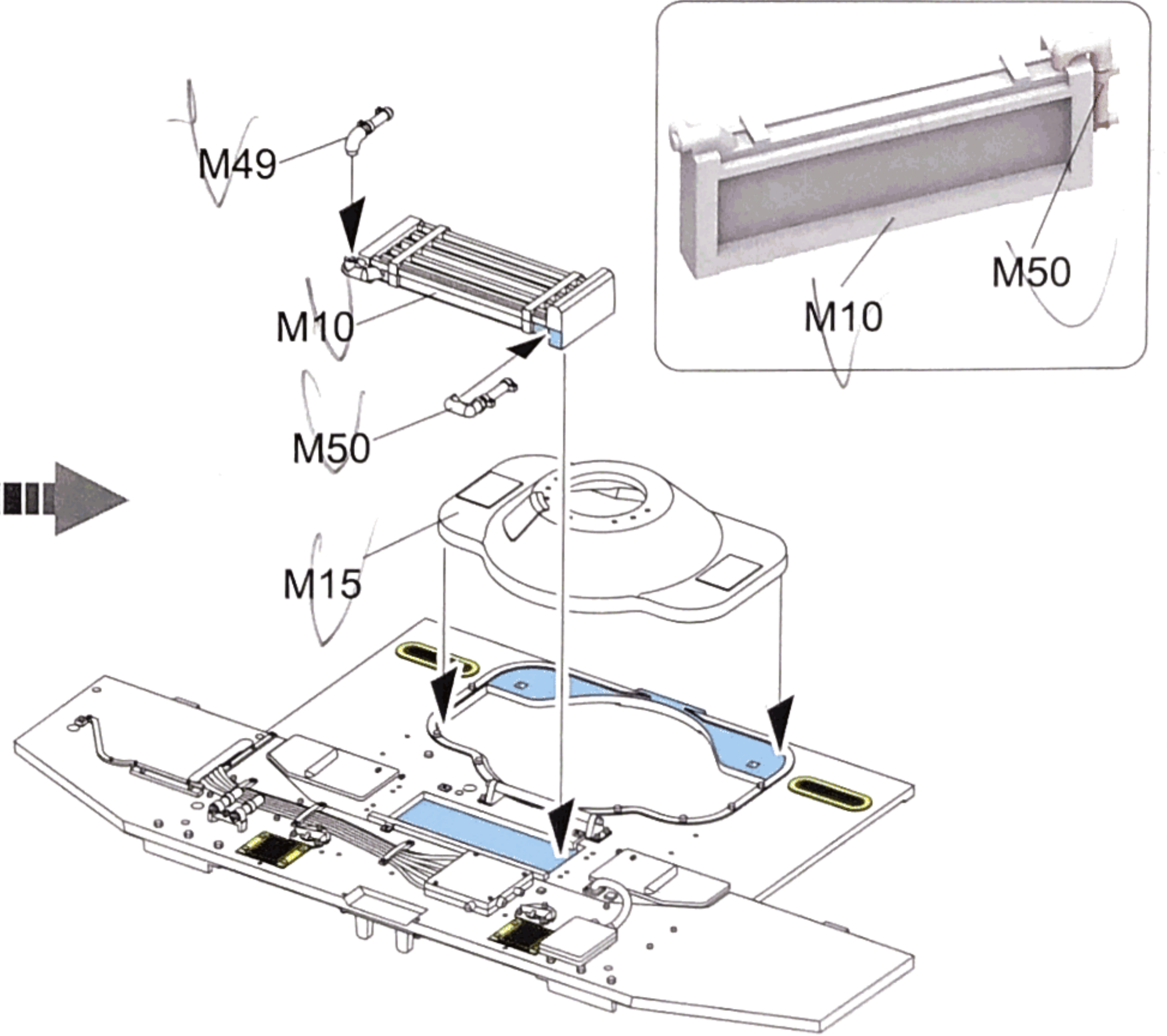
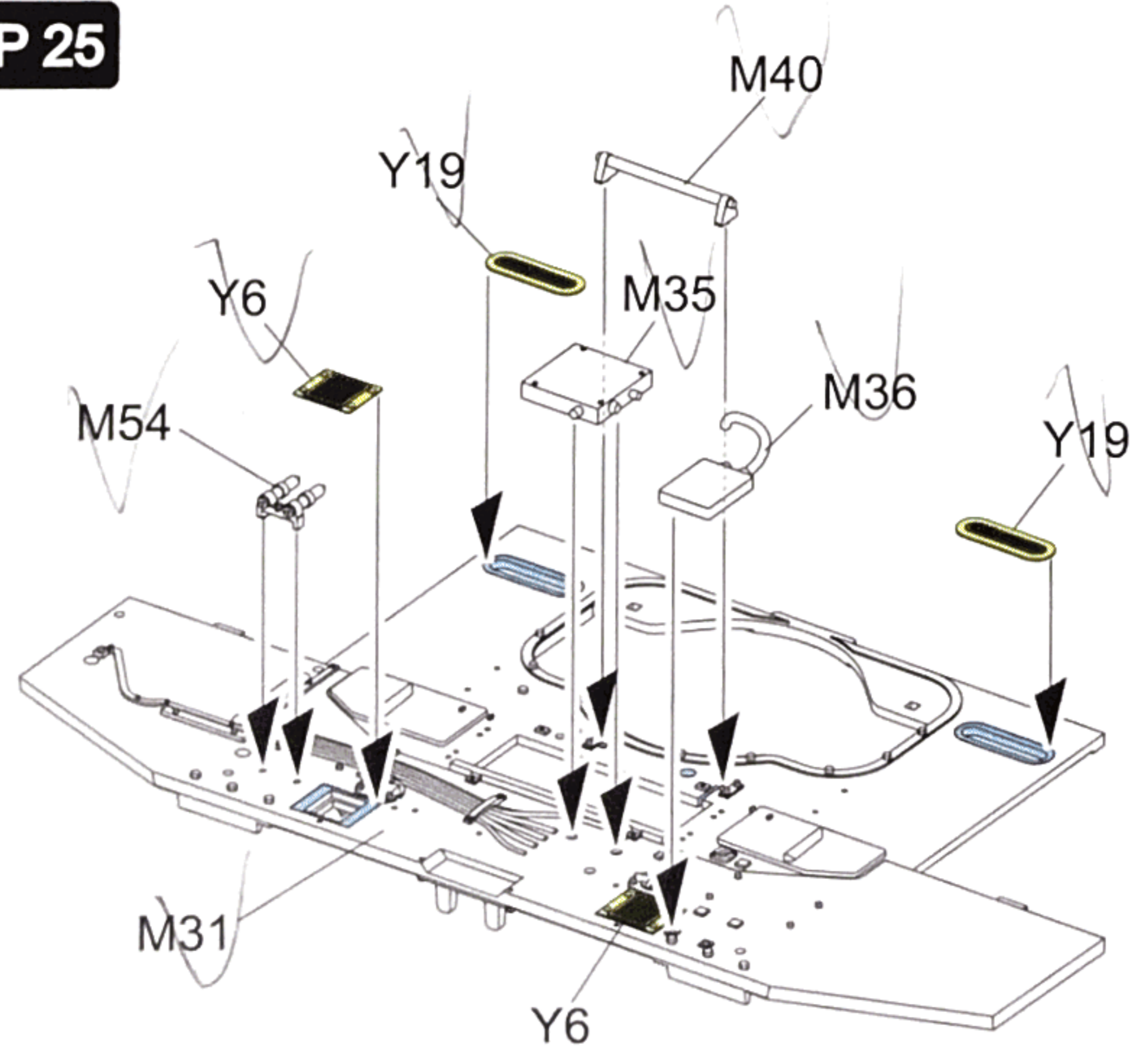
STEP 23

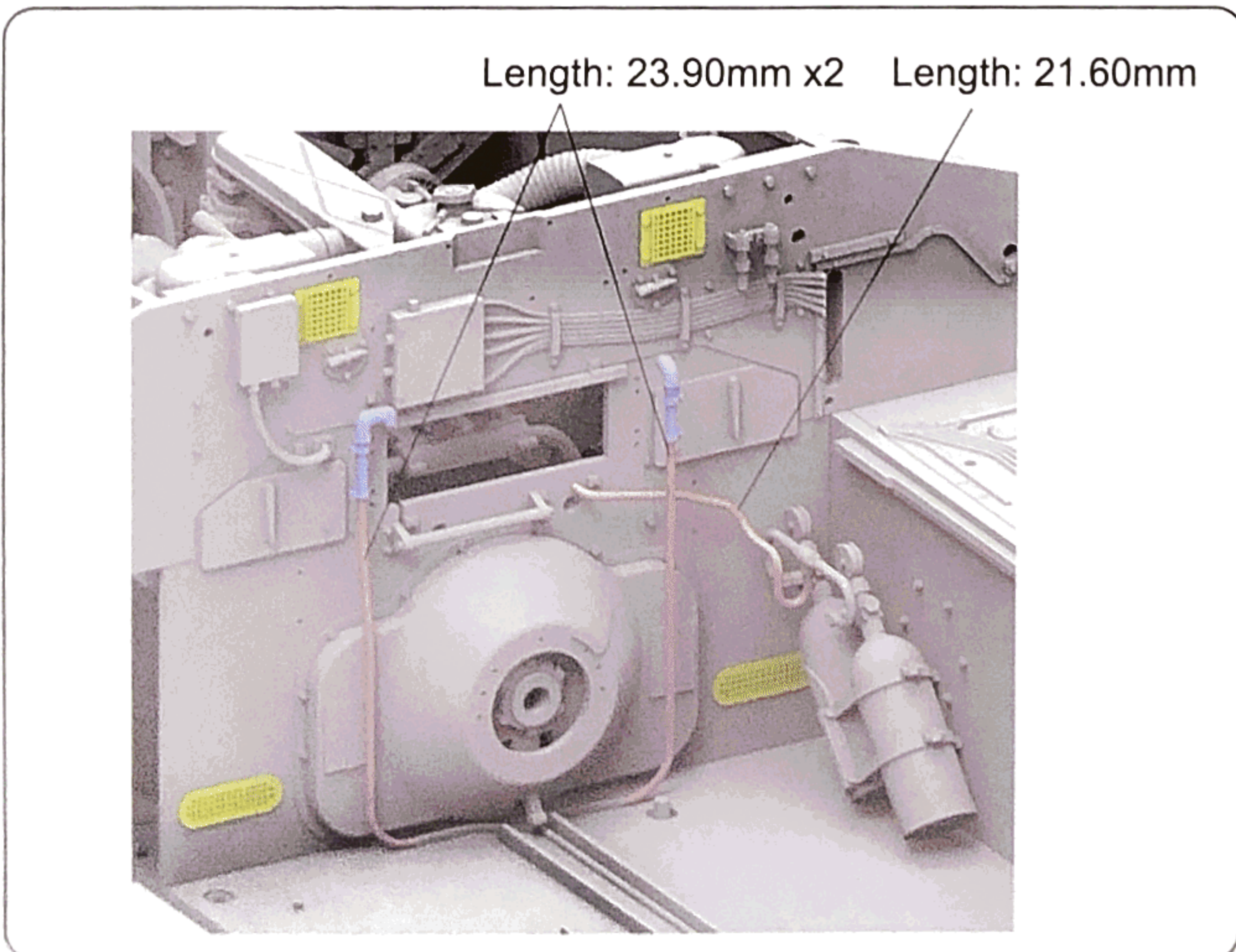
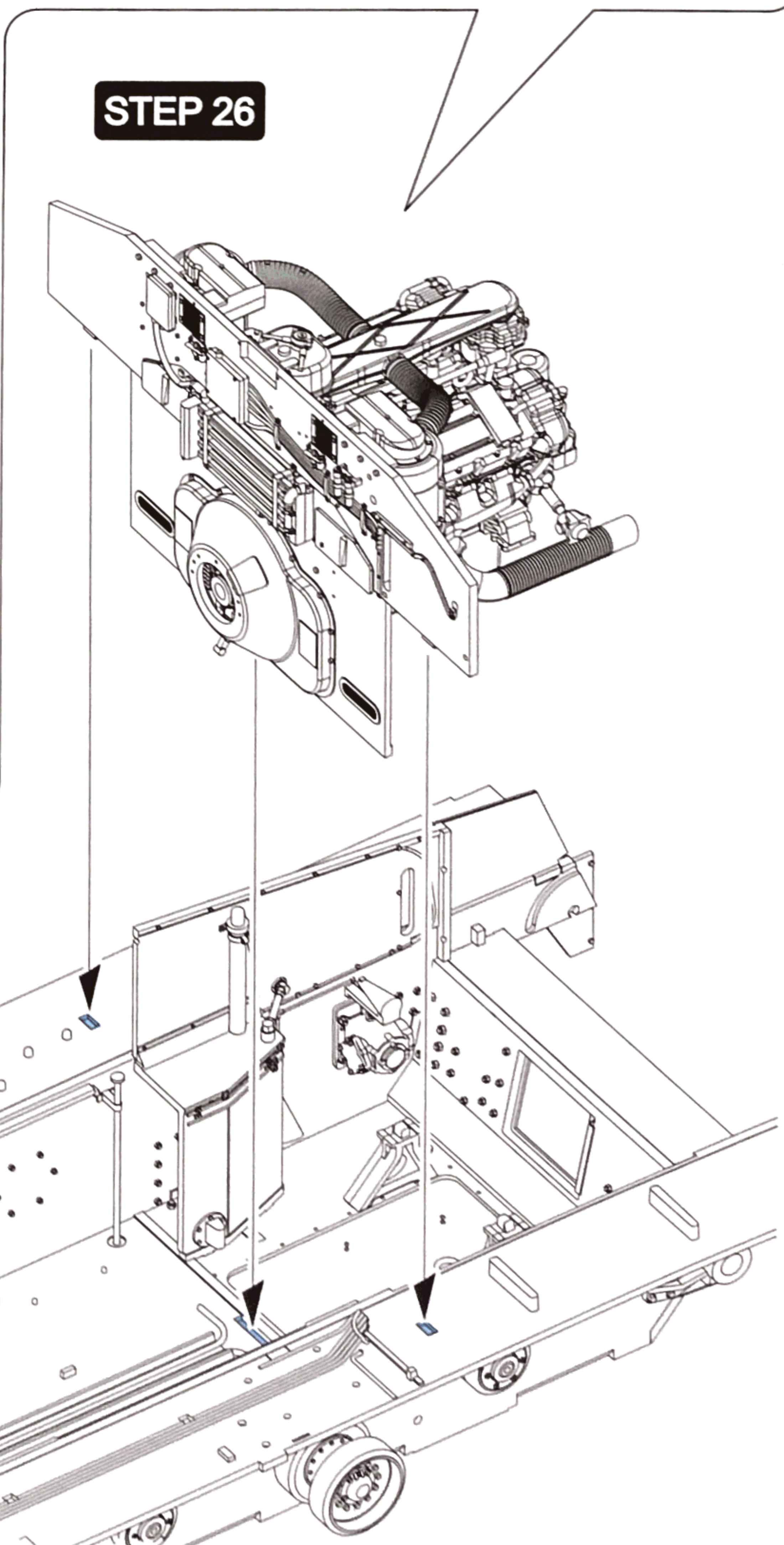
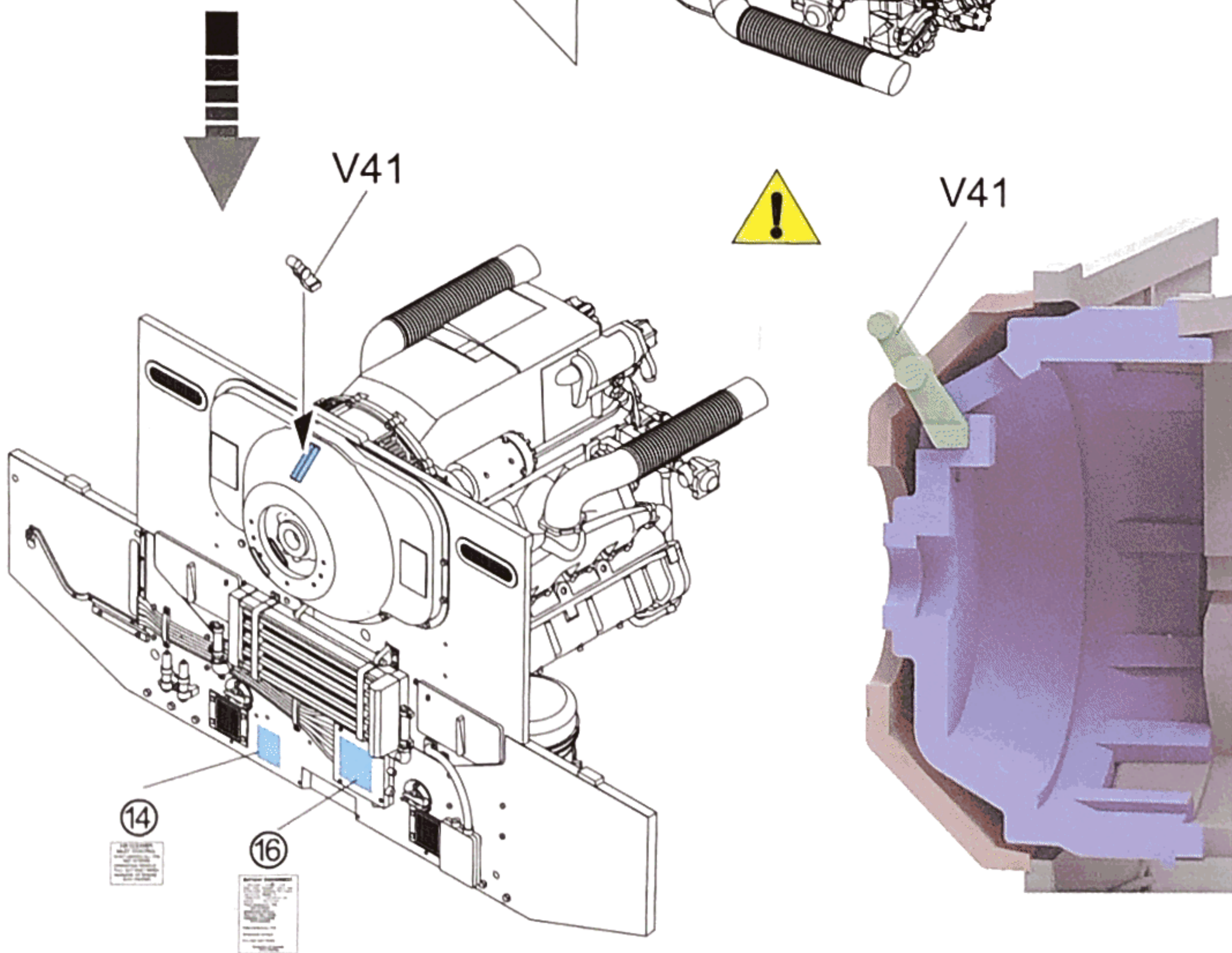
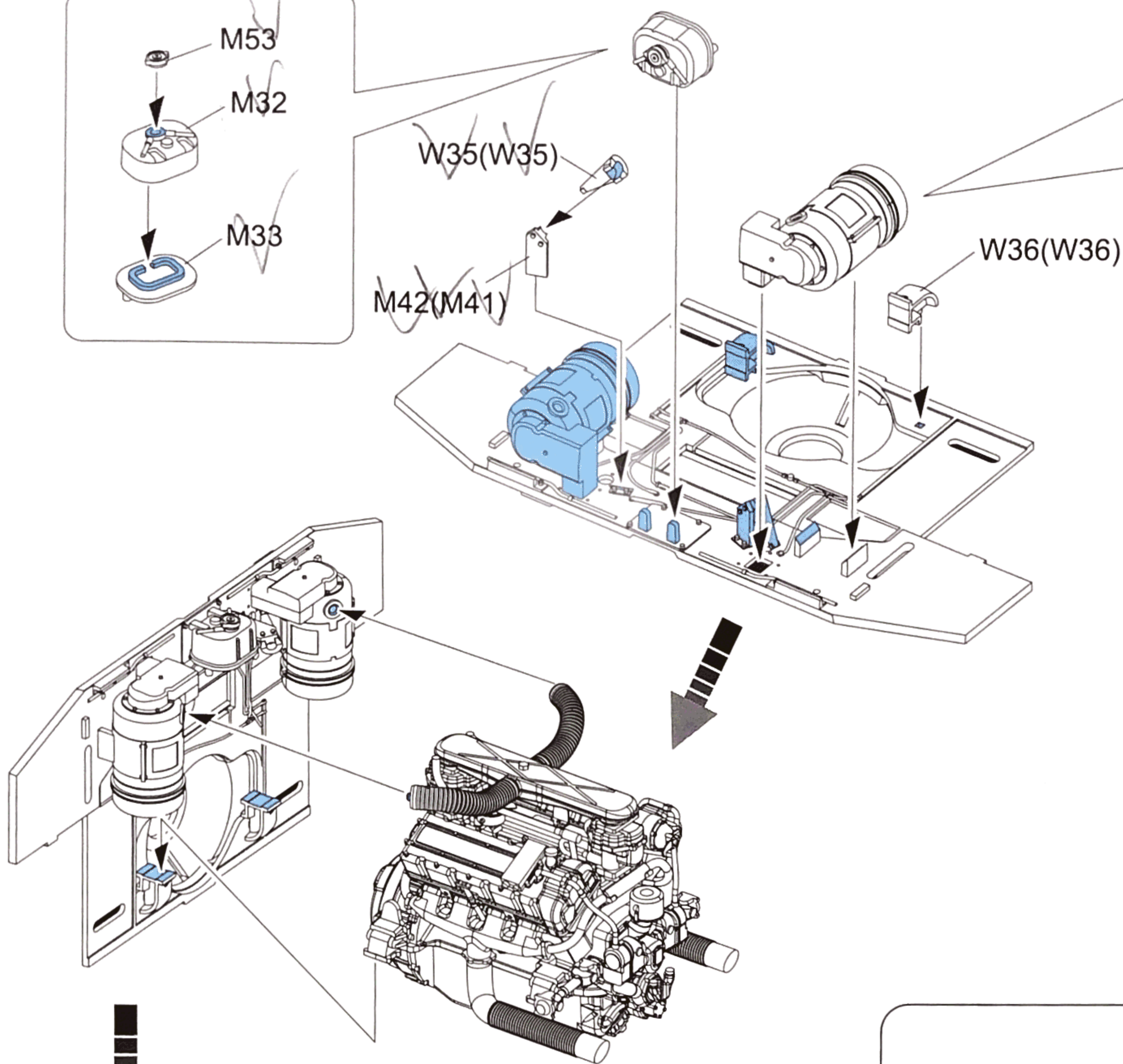
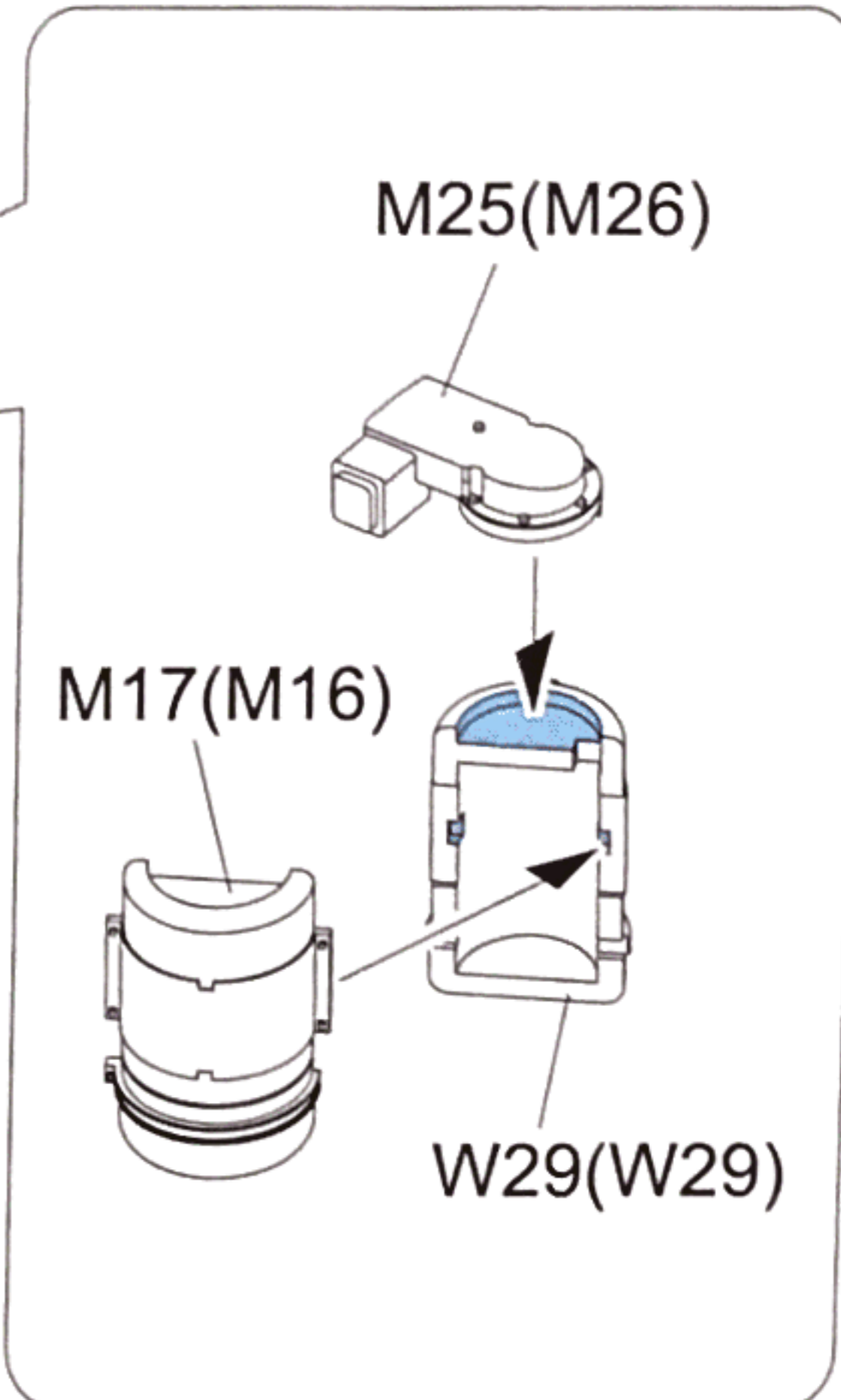
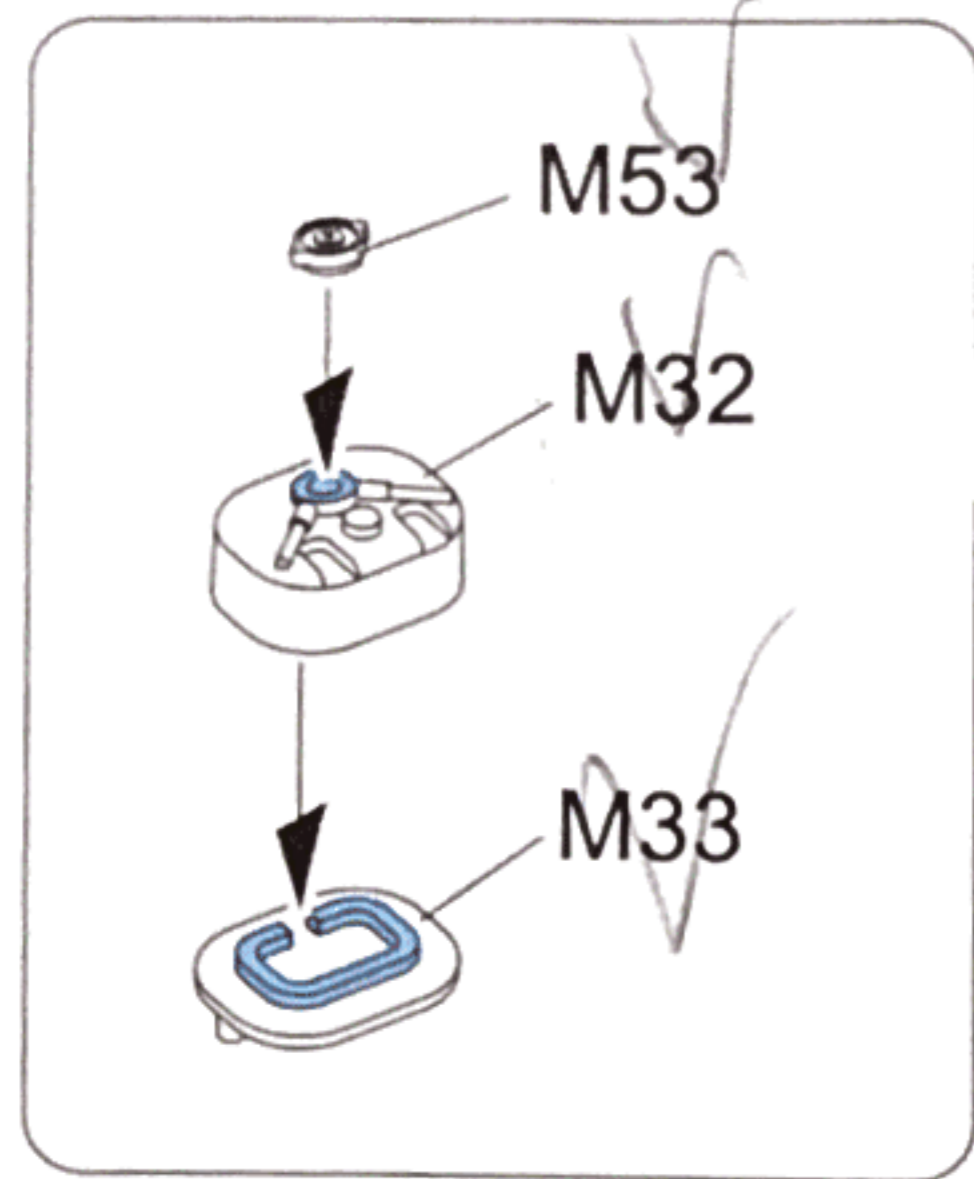


STEP 24

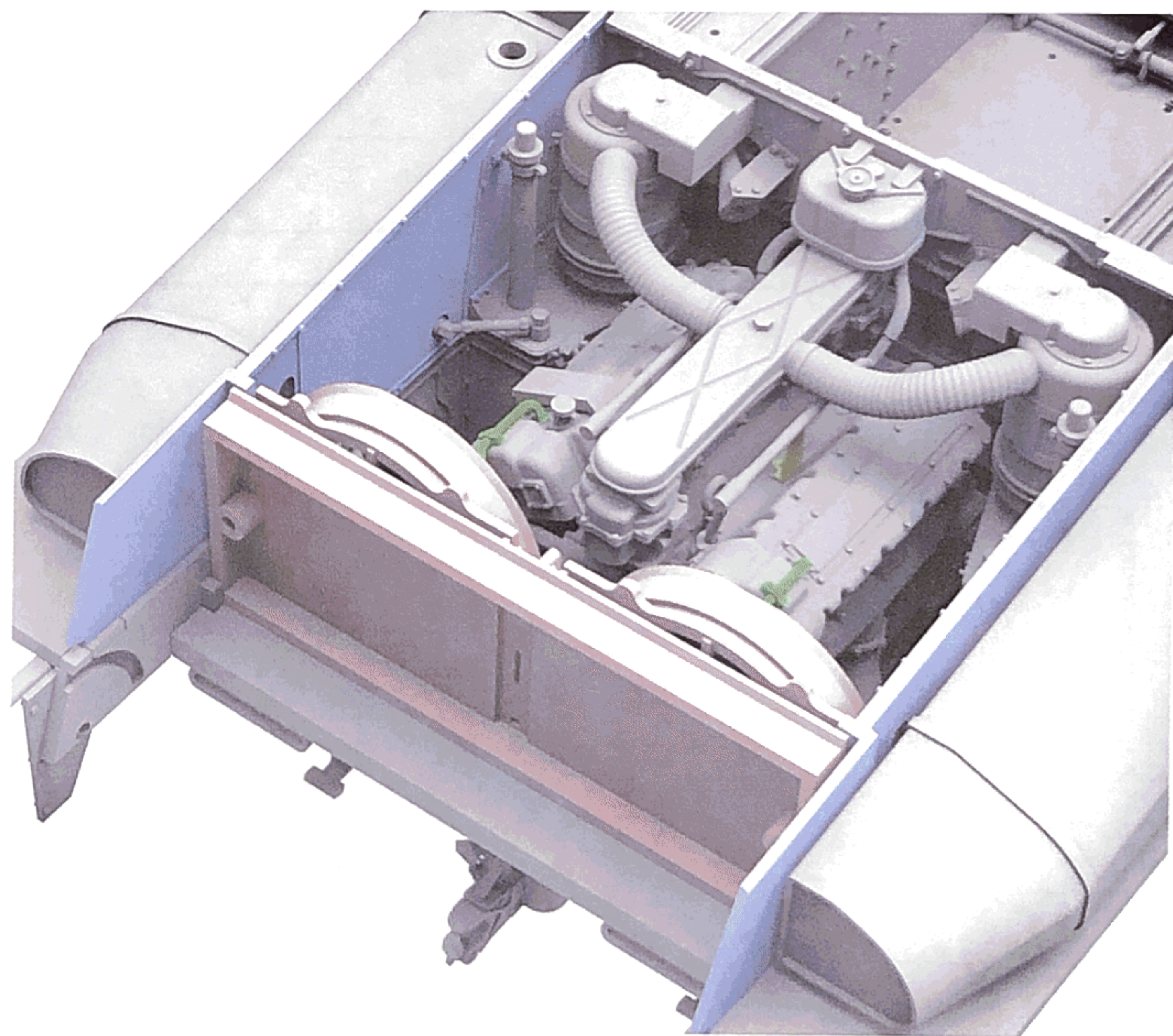
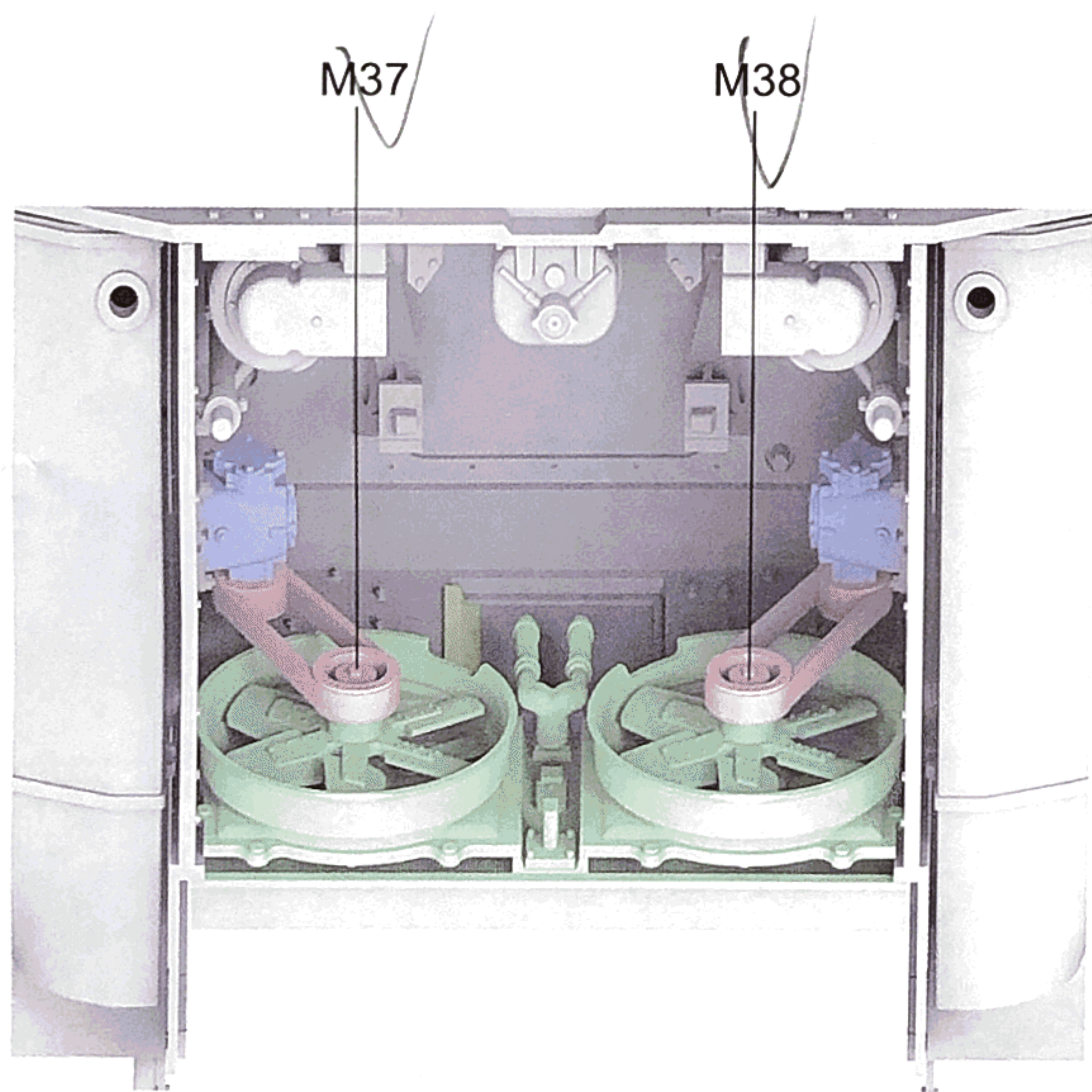
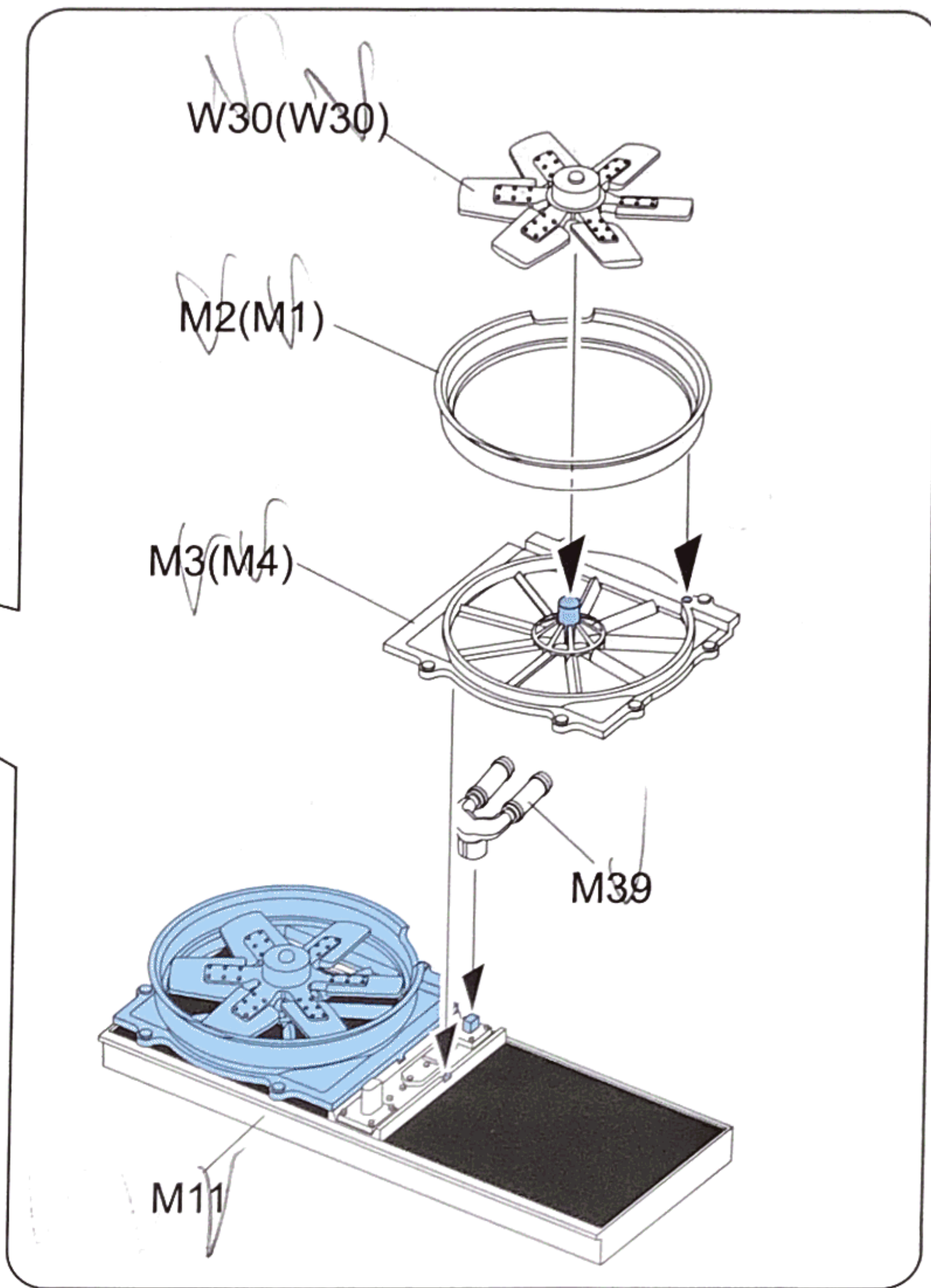
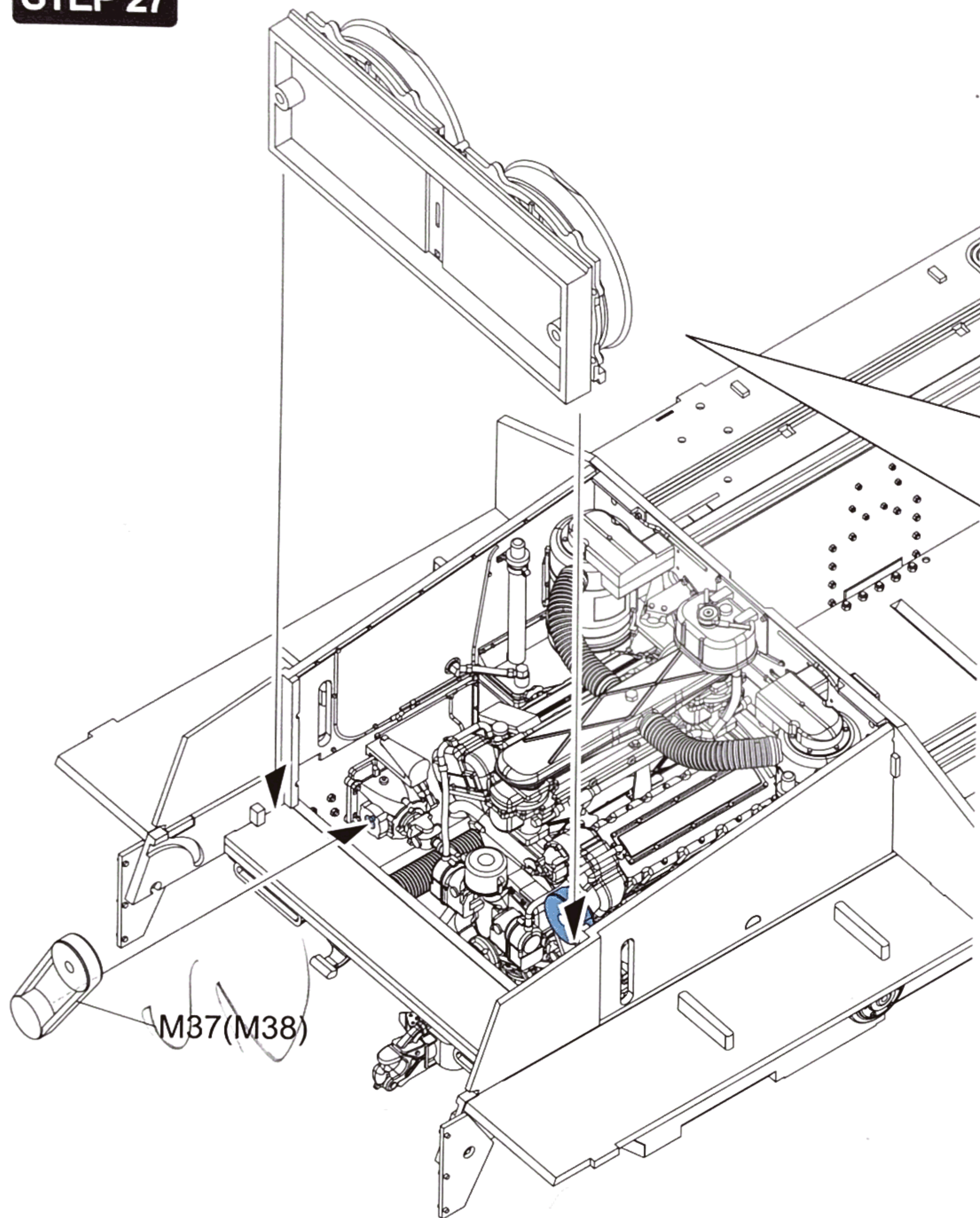


STEP 25

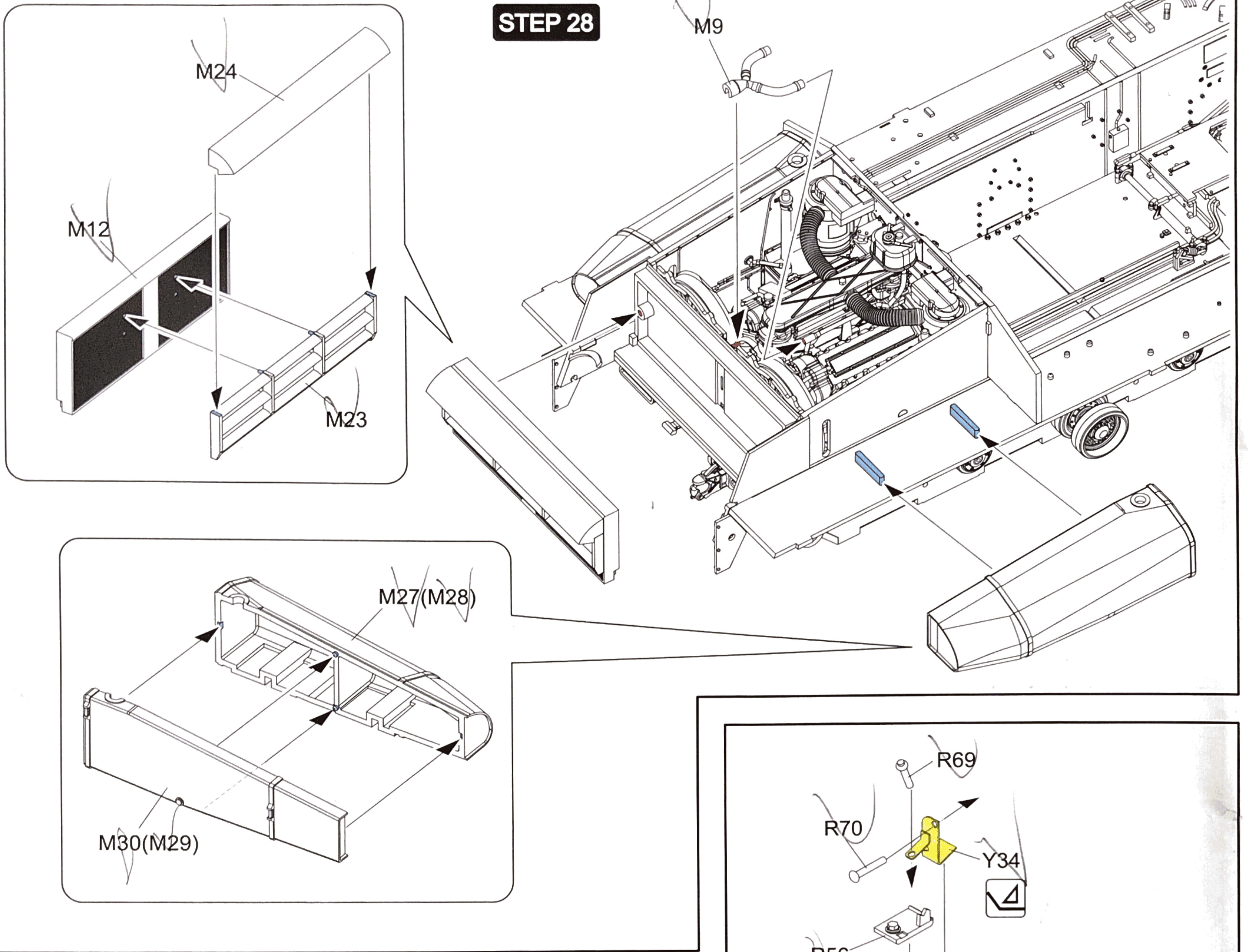




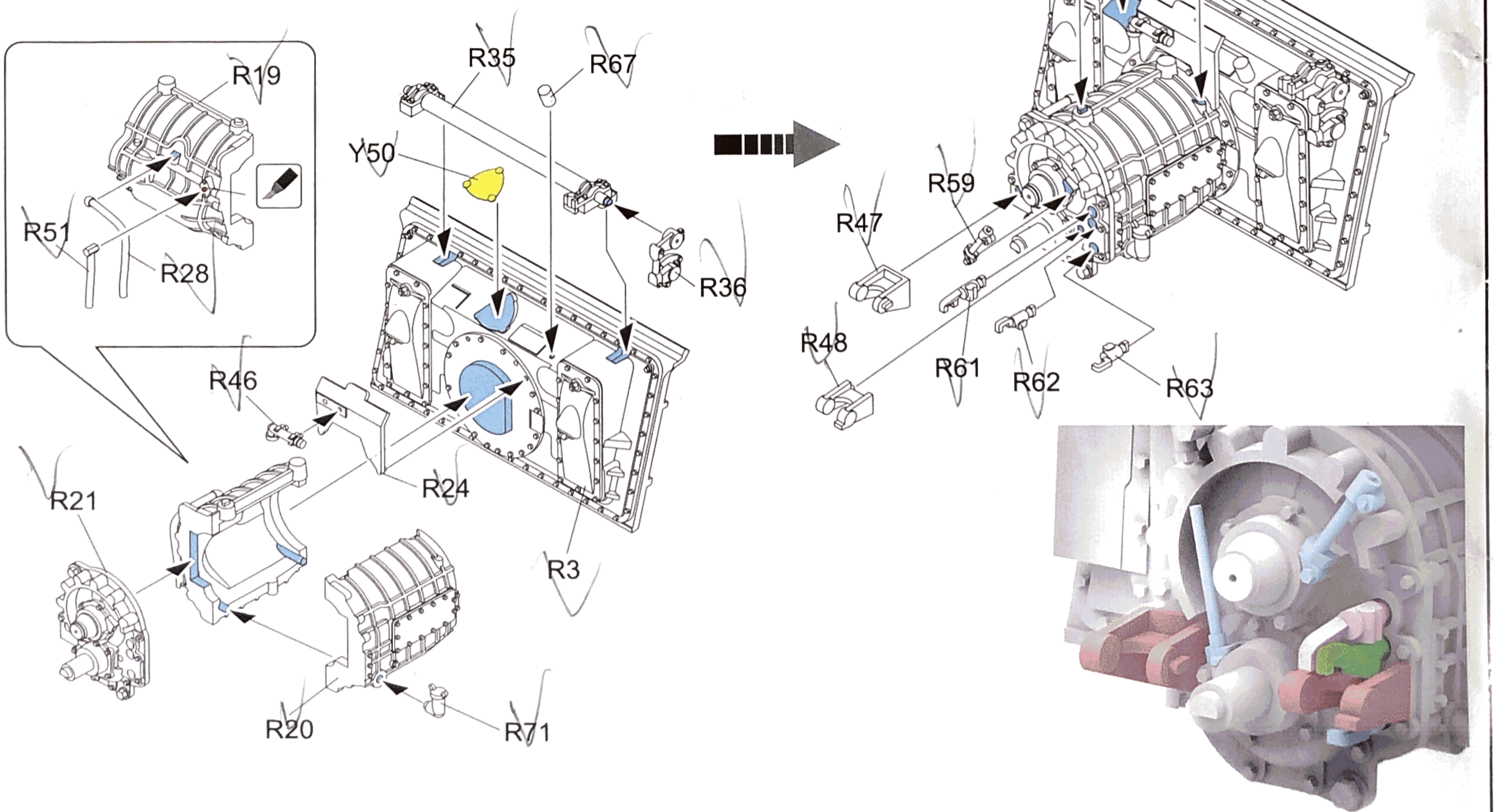
STEP 27

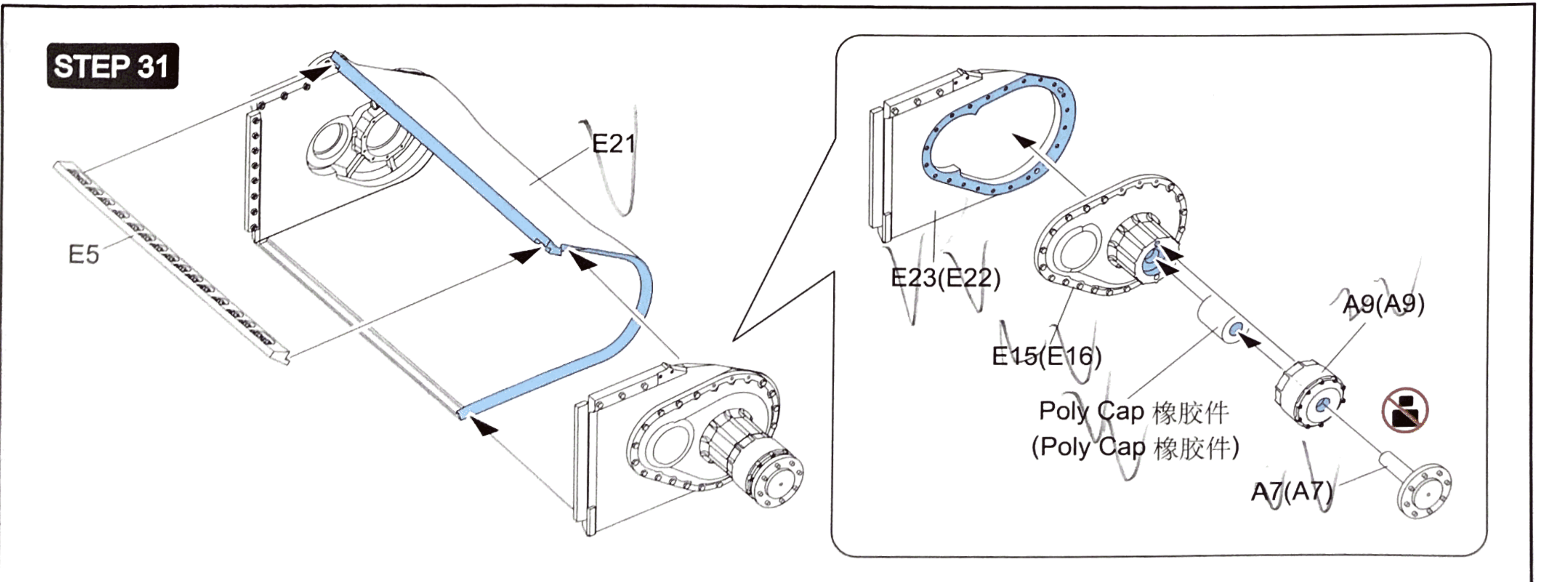
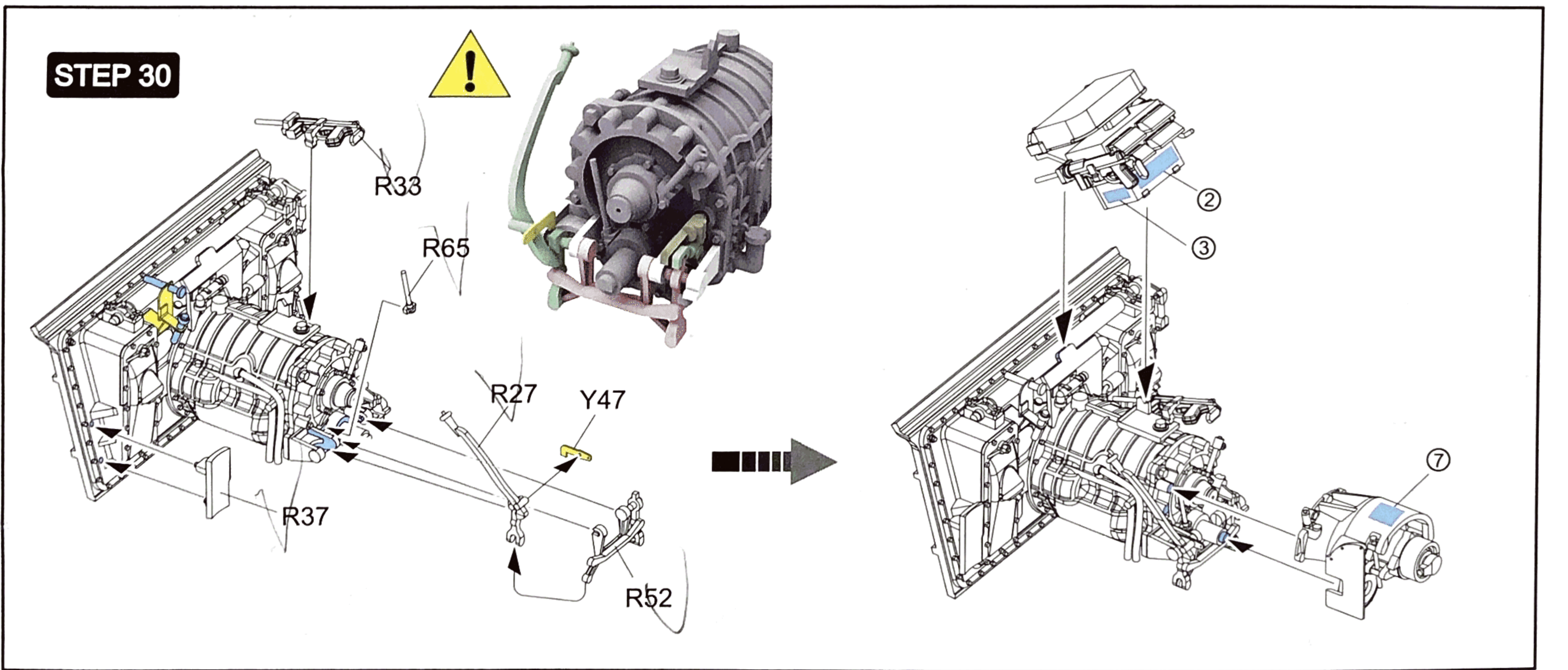
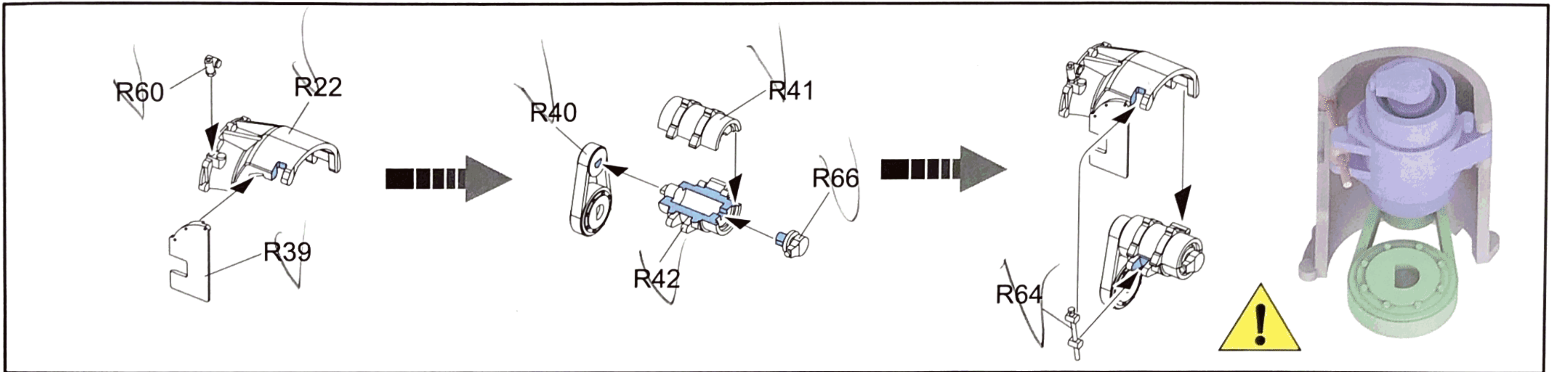
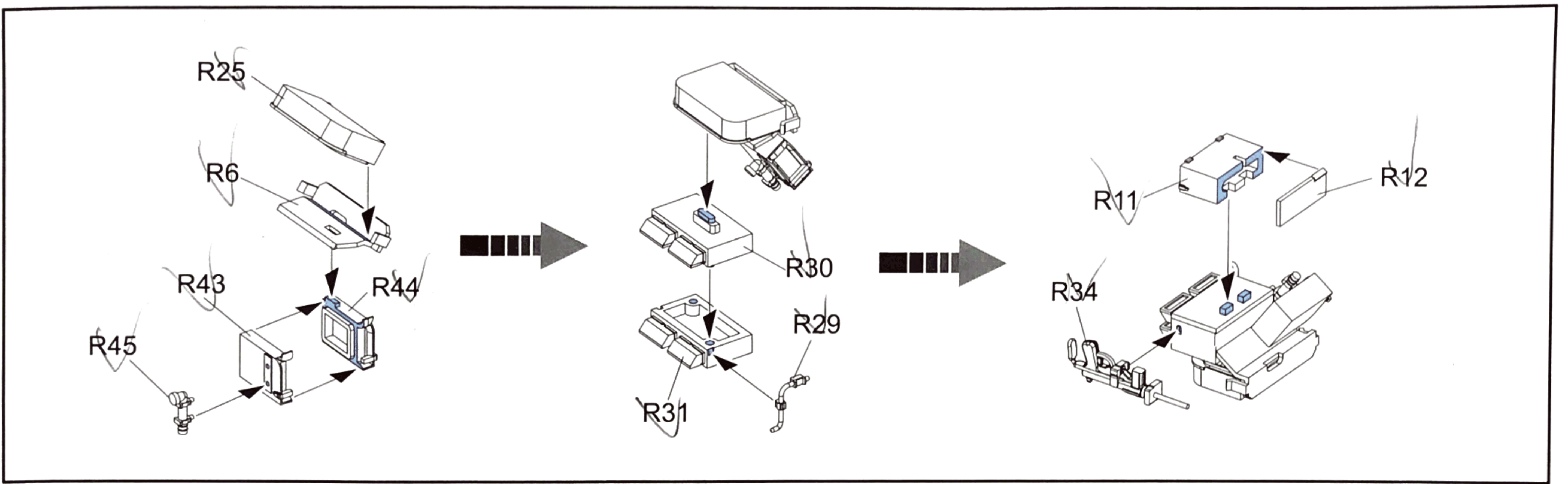


STEP 28

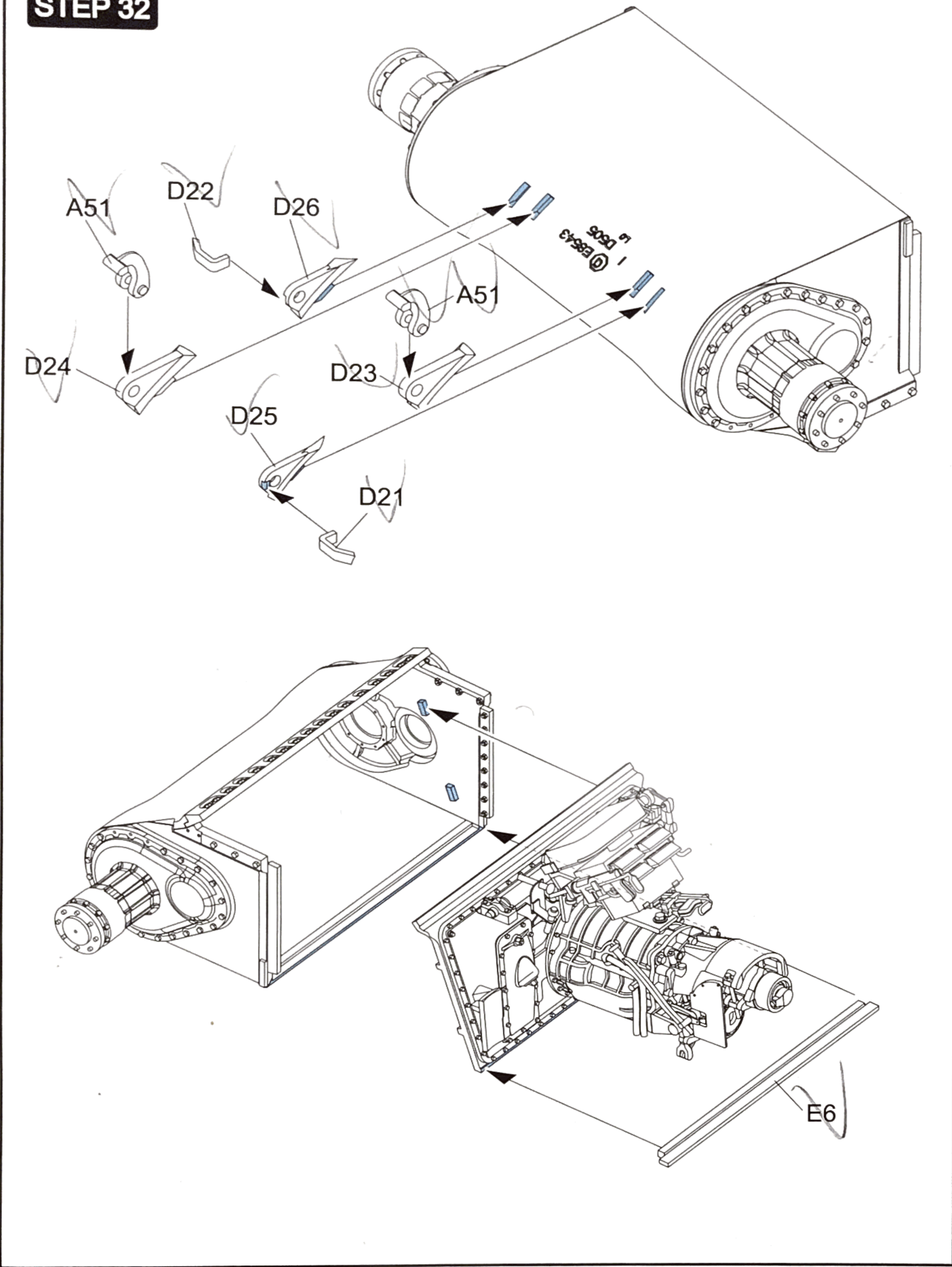


STEP 29

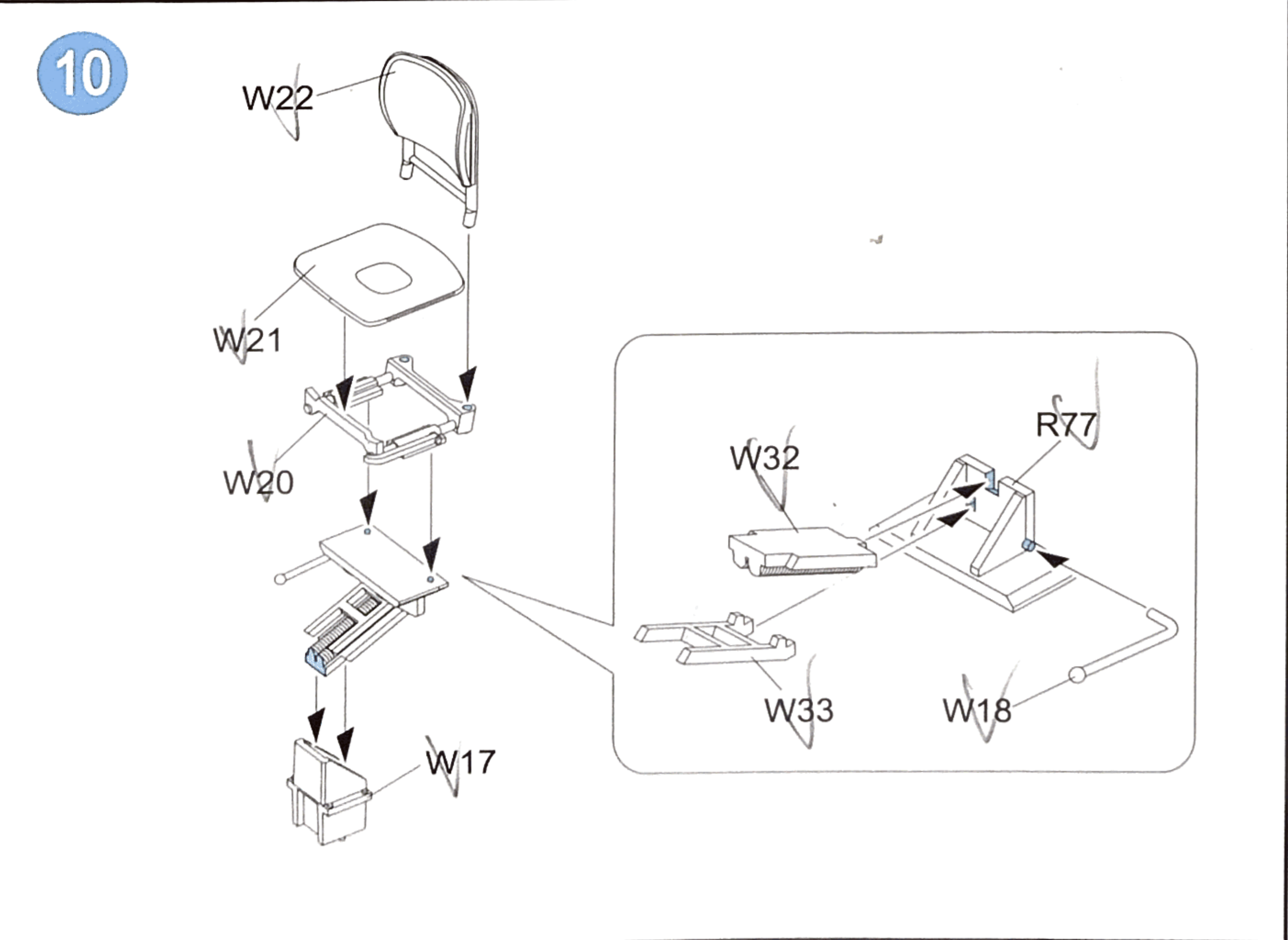




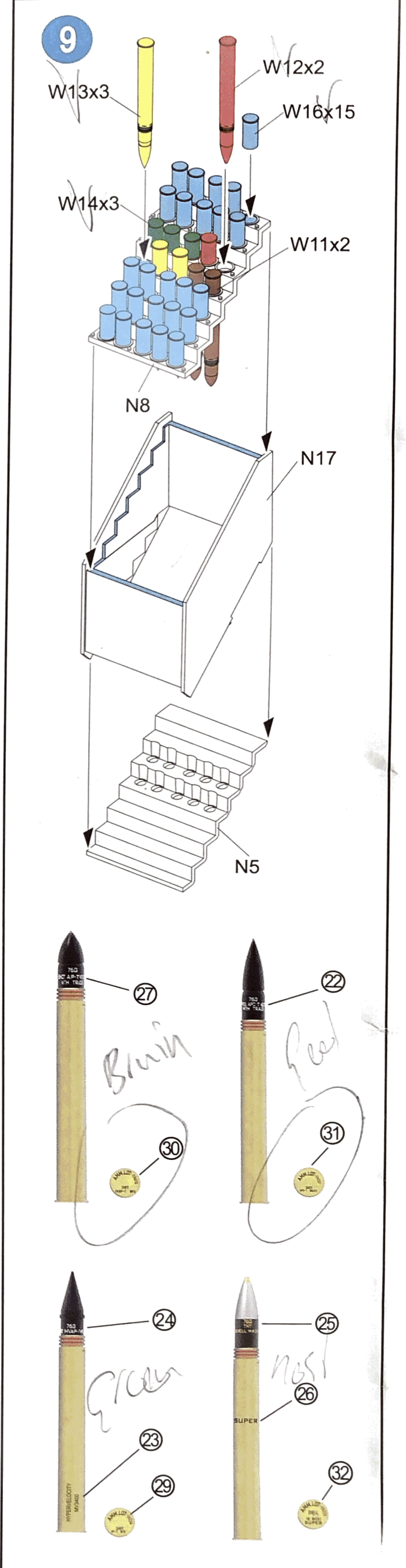
STEP 32

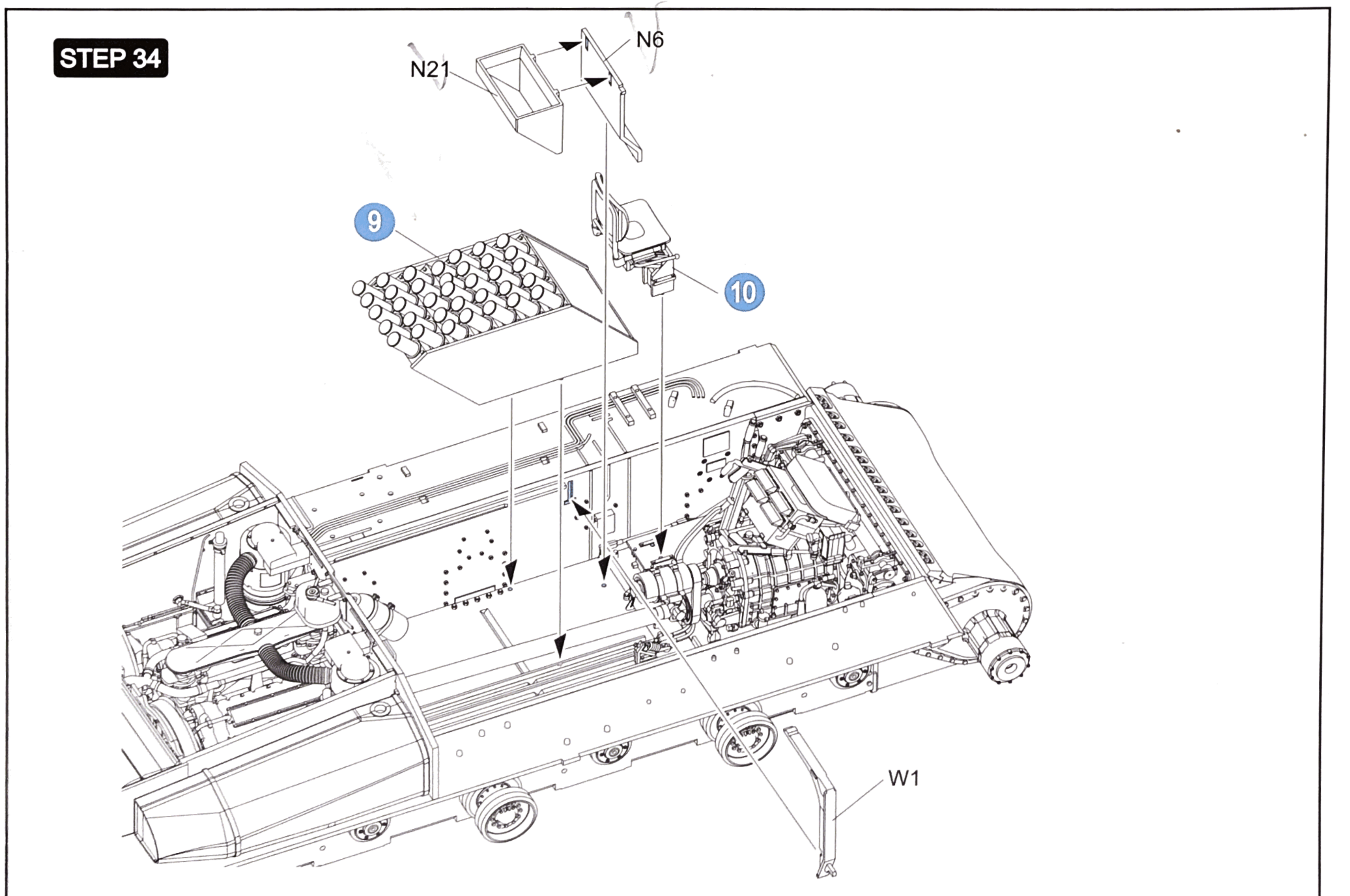
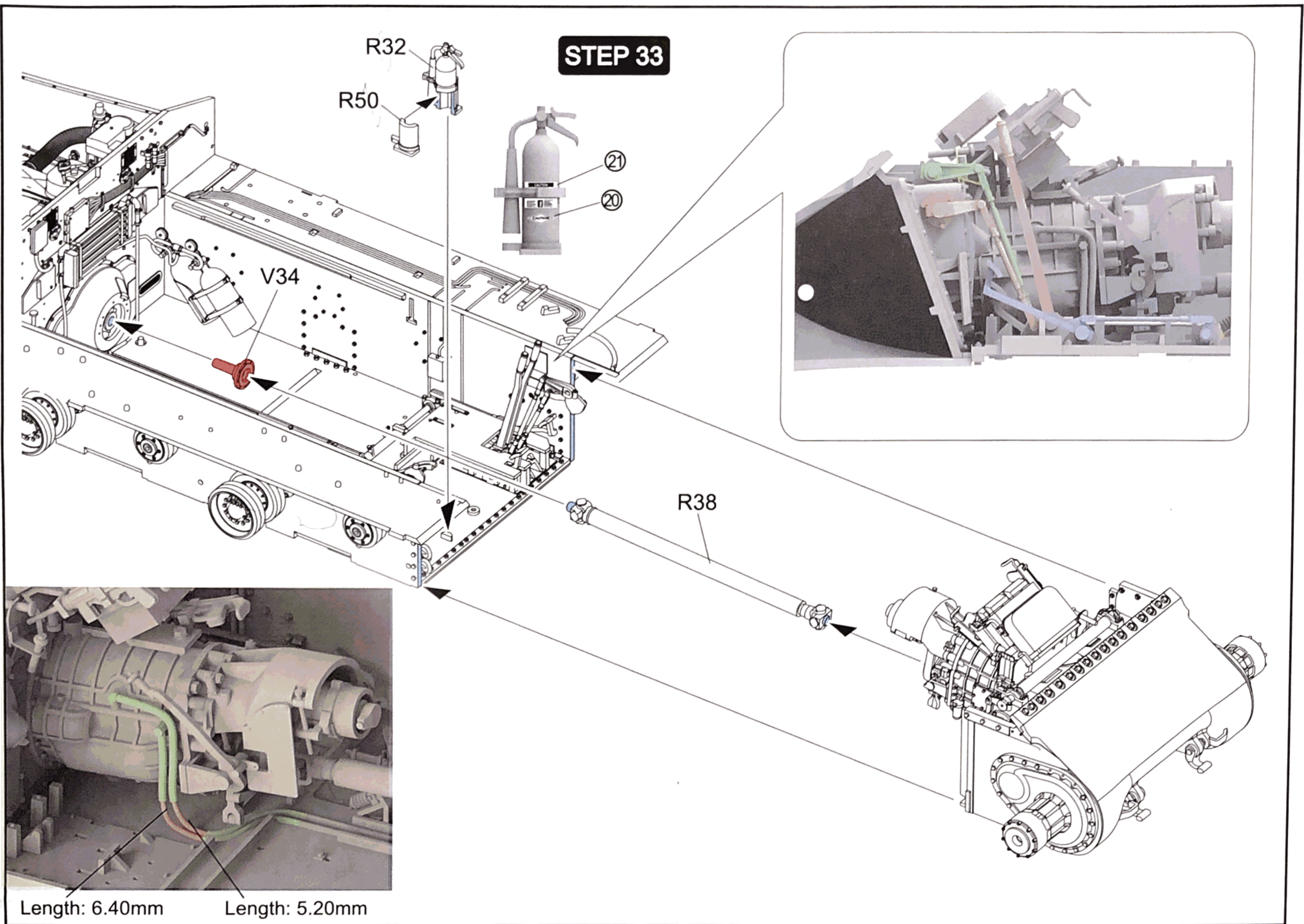


10

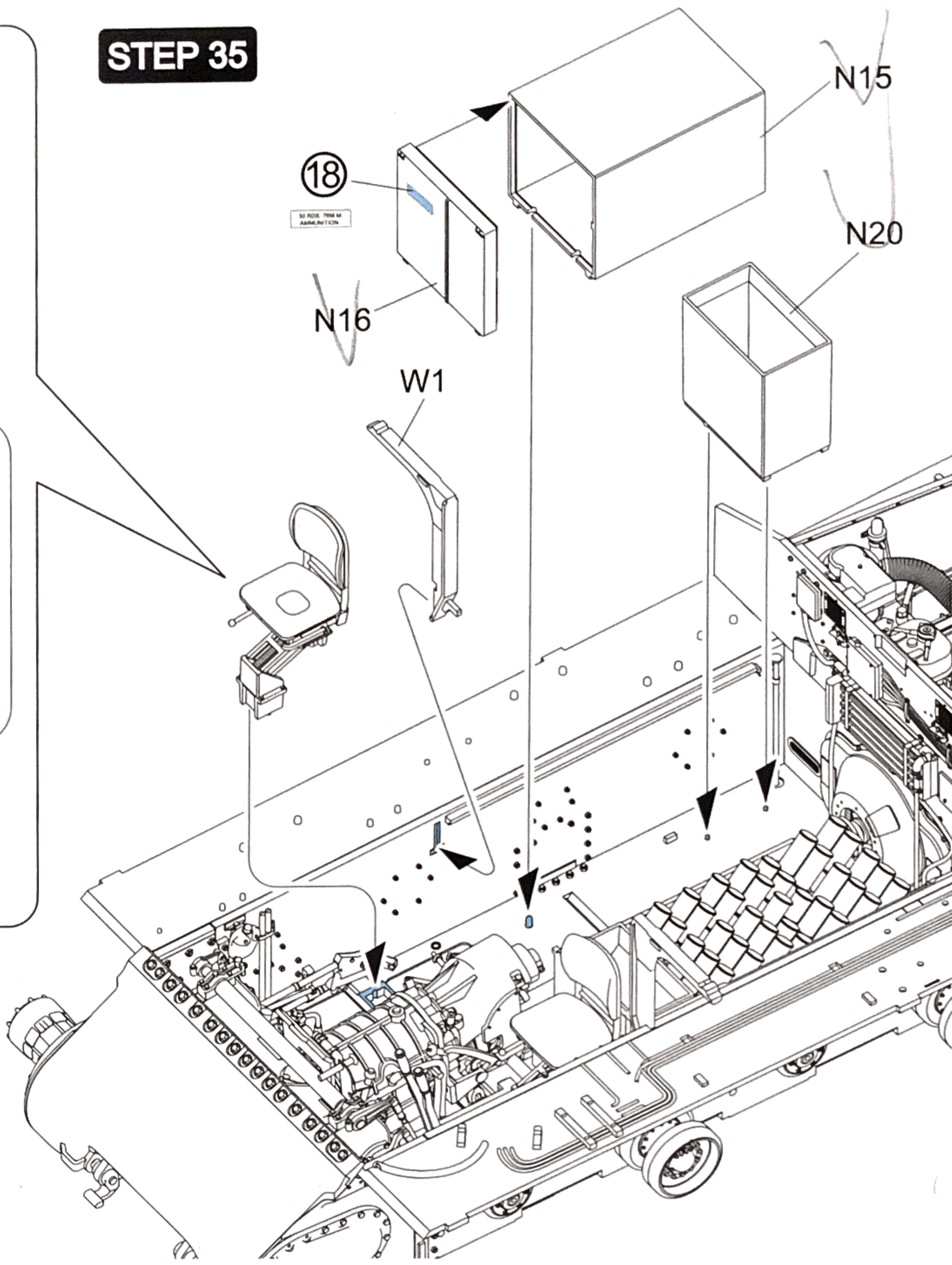
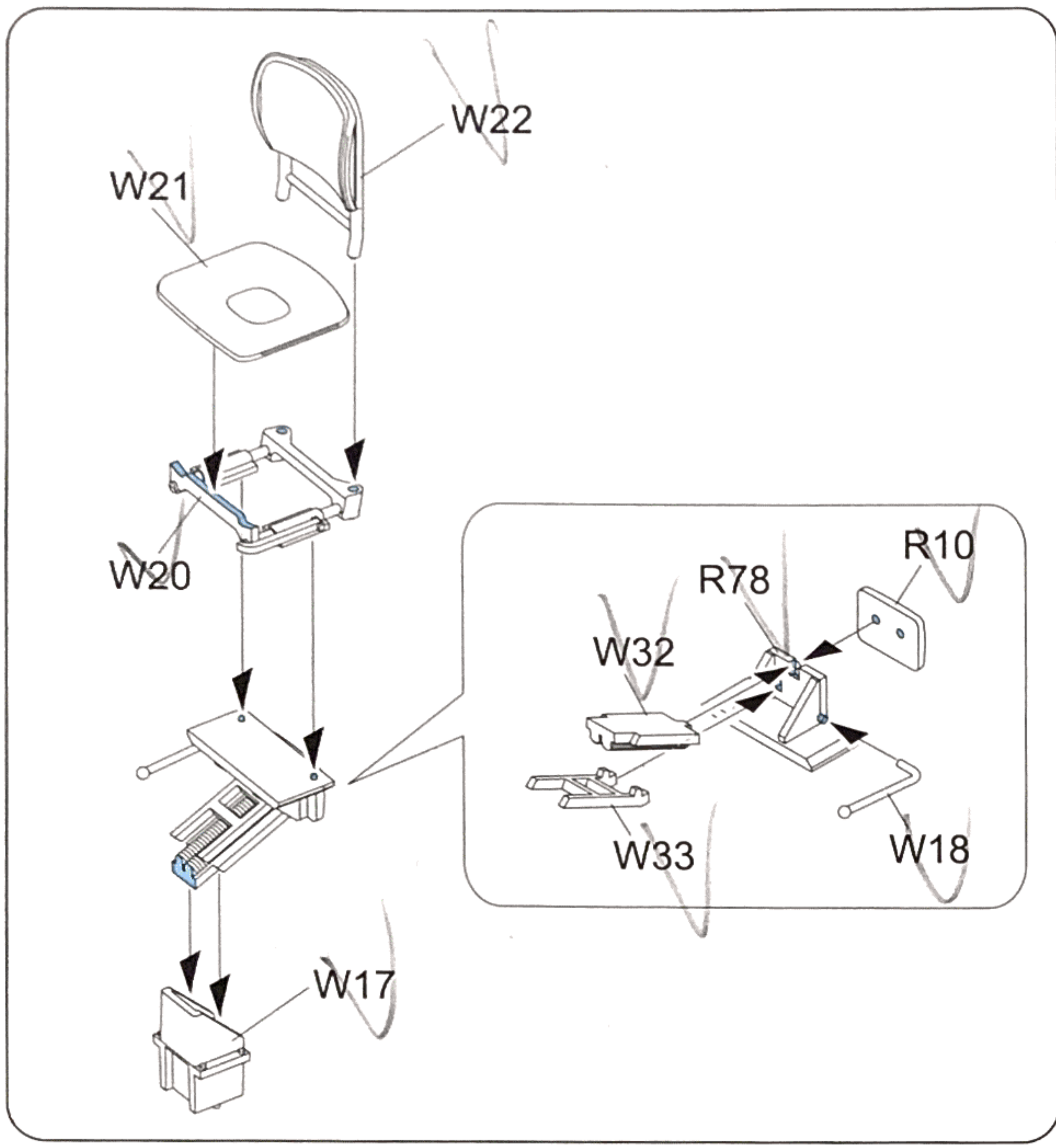


9

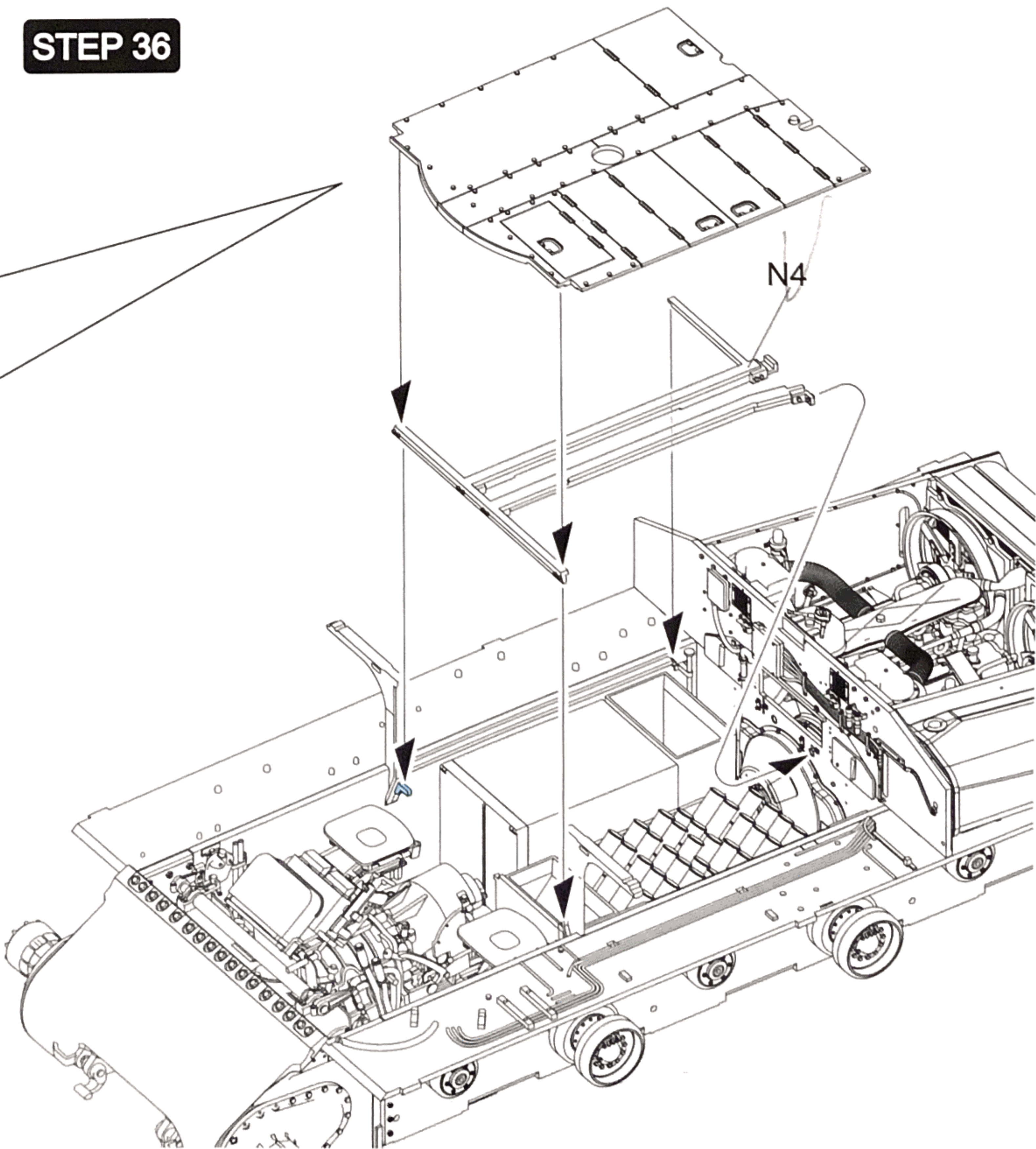
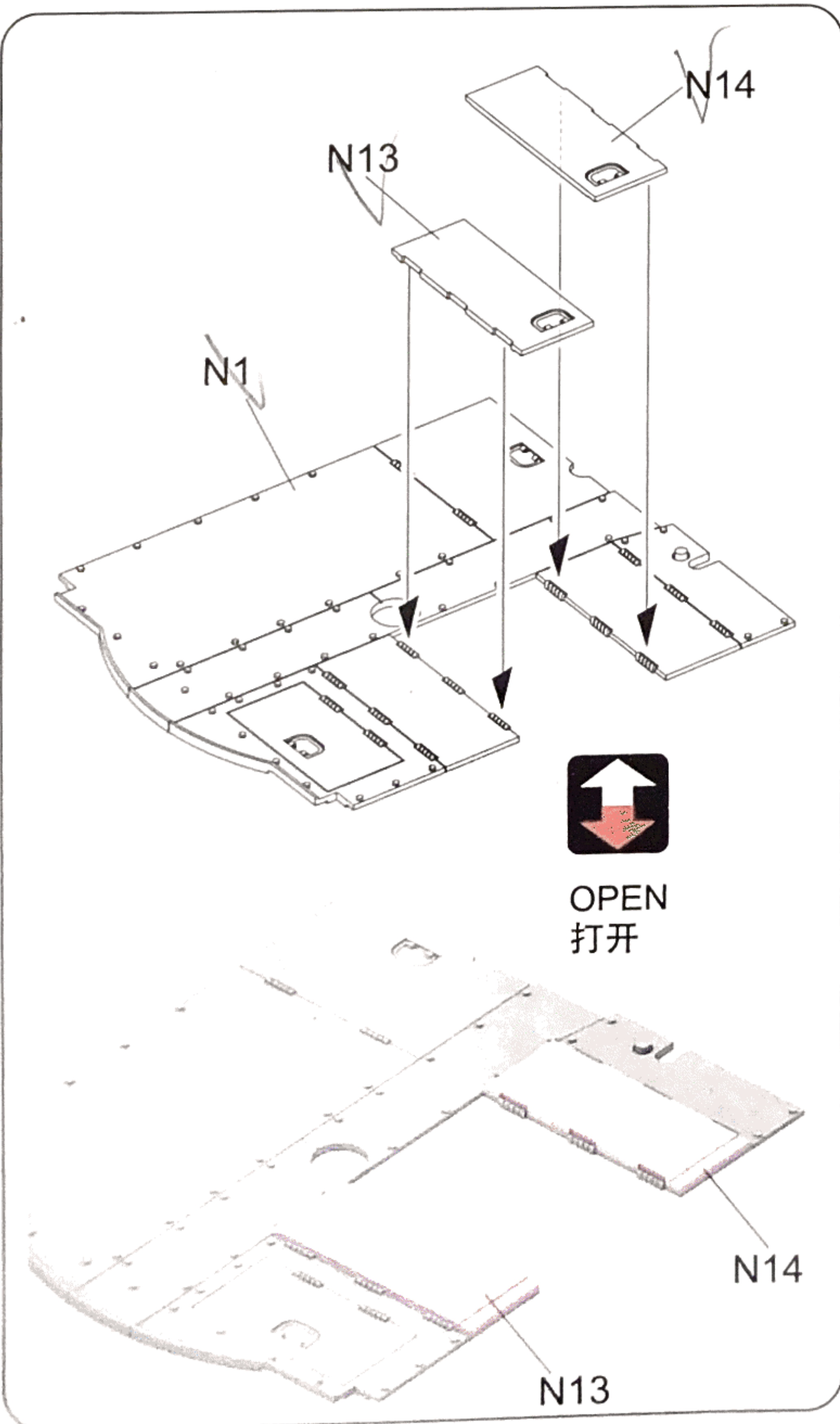


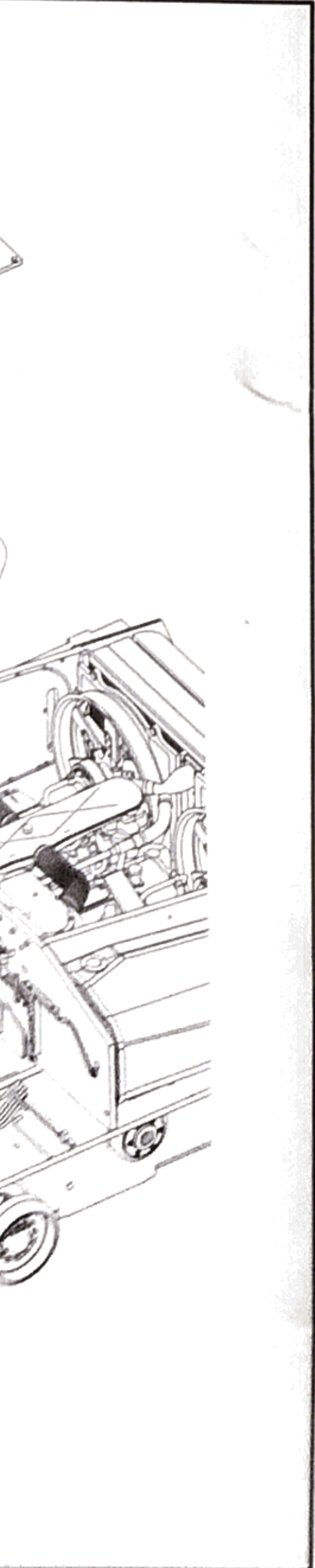
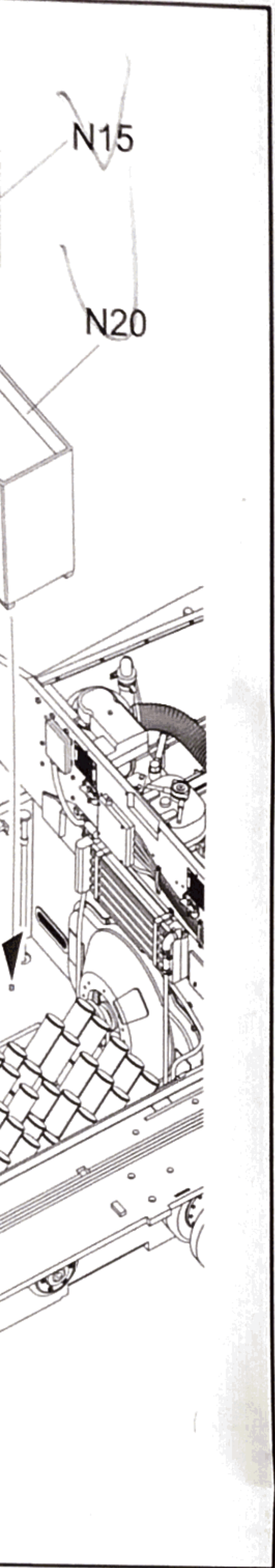


STEP 35



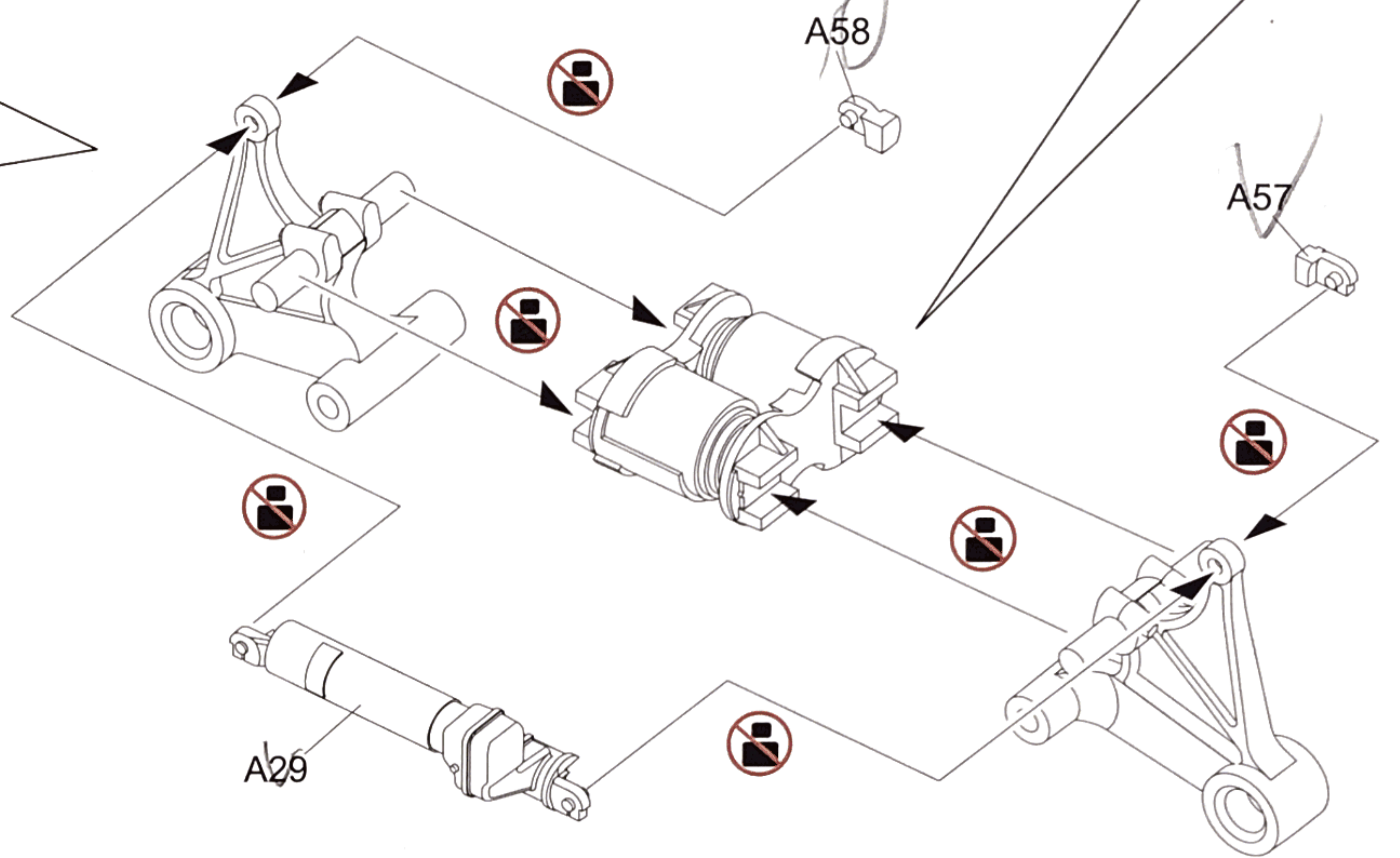
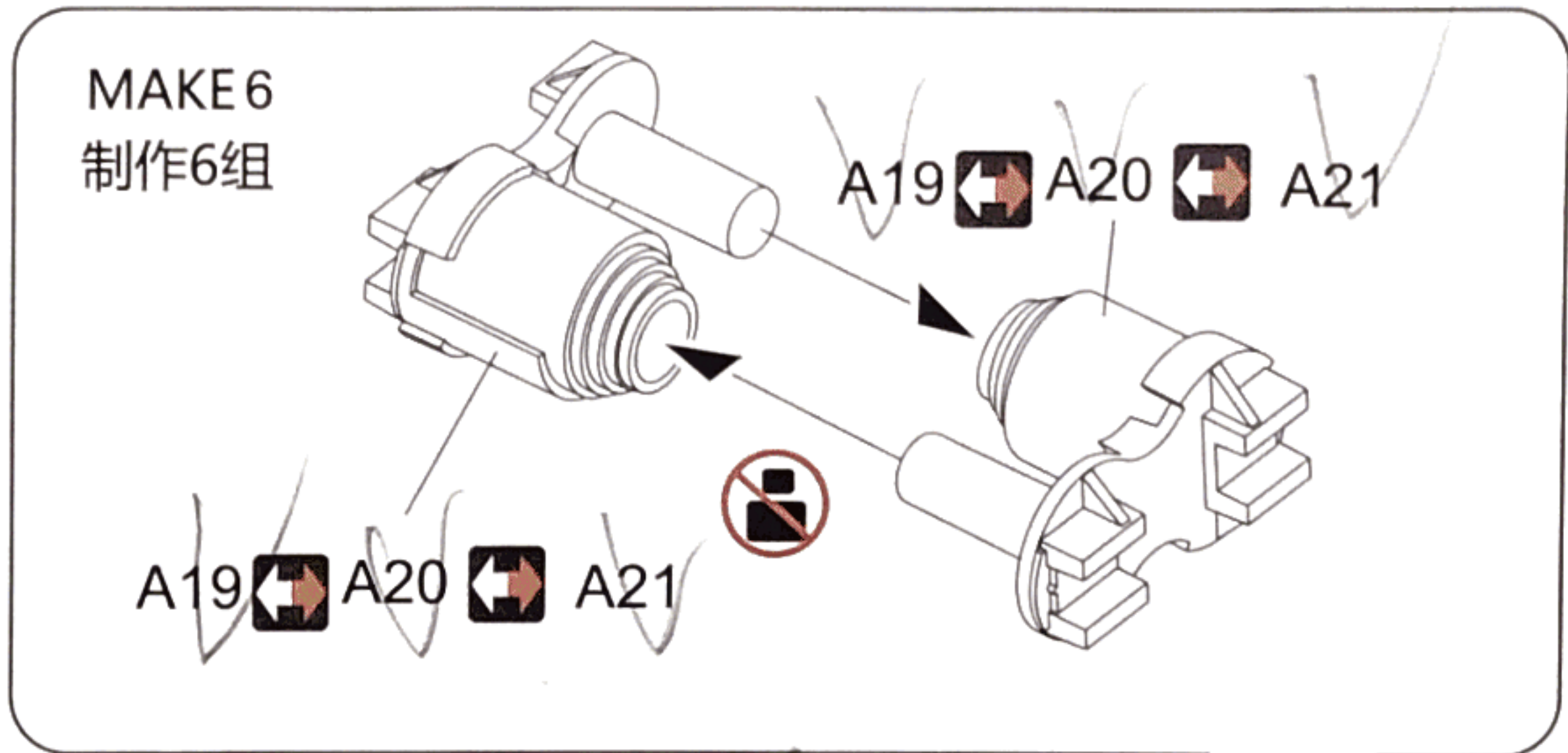
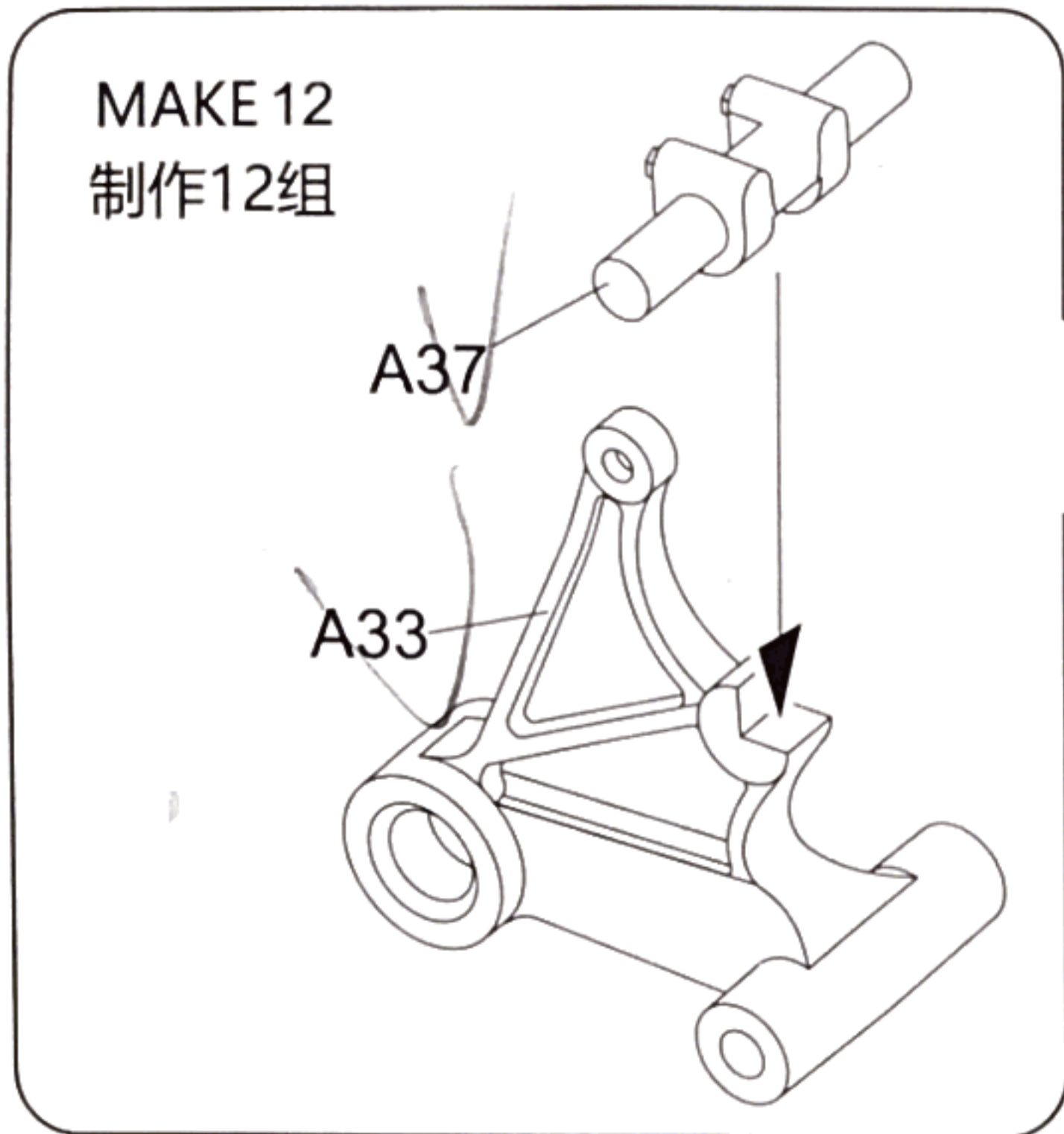
STEP 36





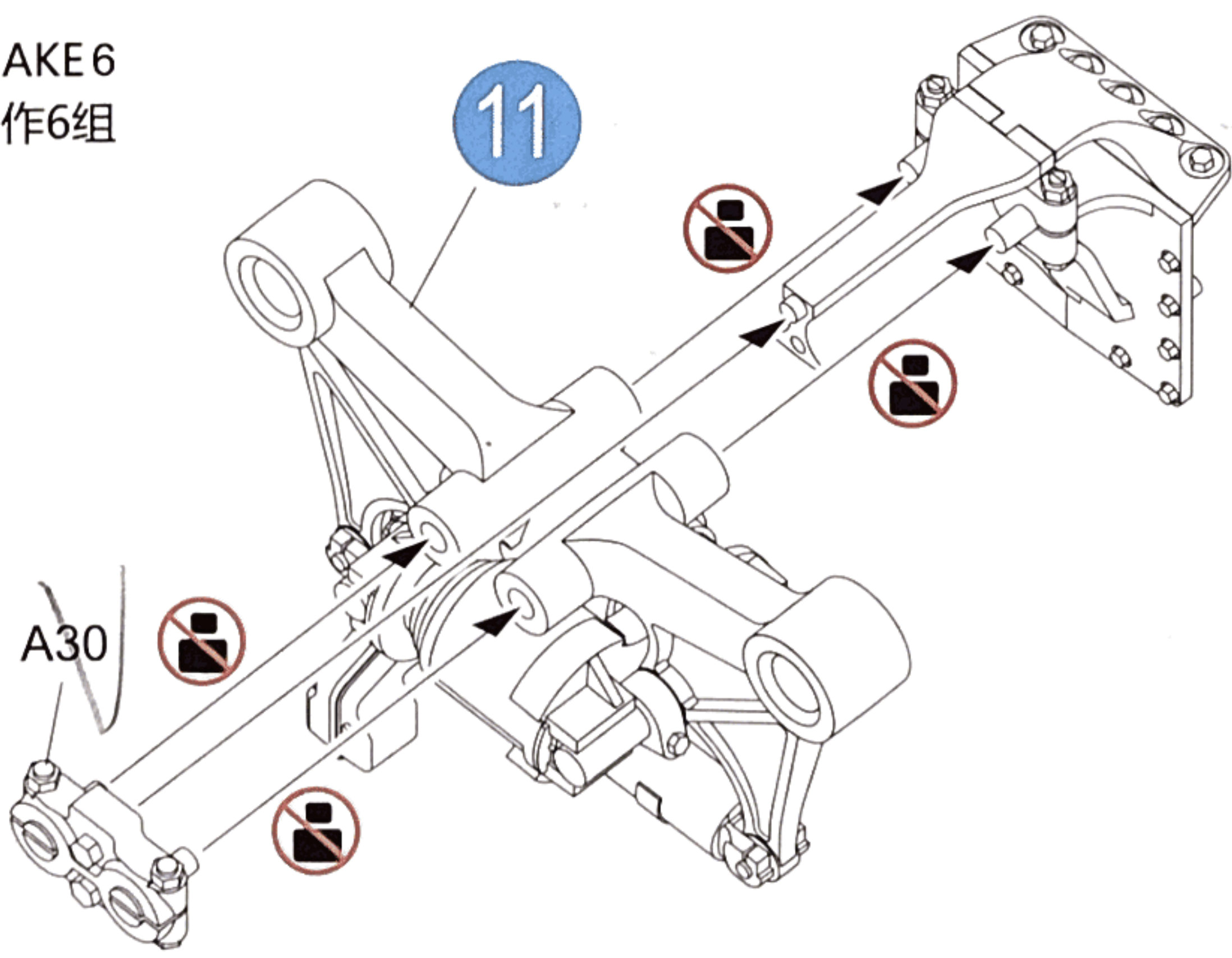
MAKE6
制作6组

11

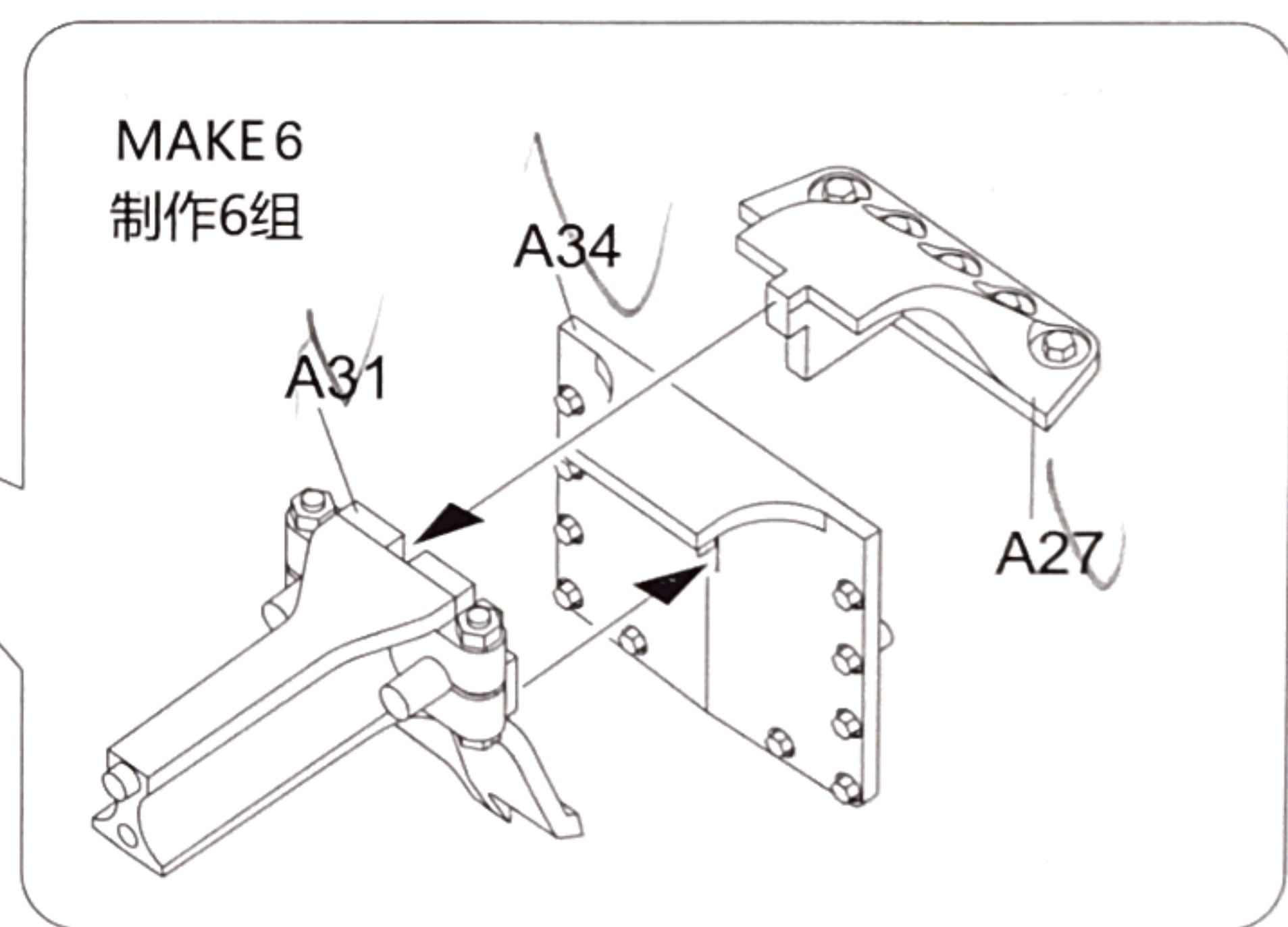


MAKE6
制作6组

11

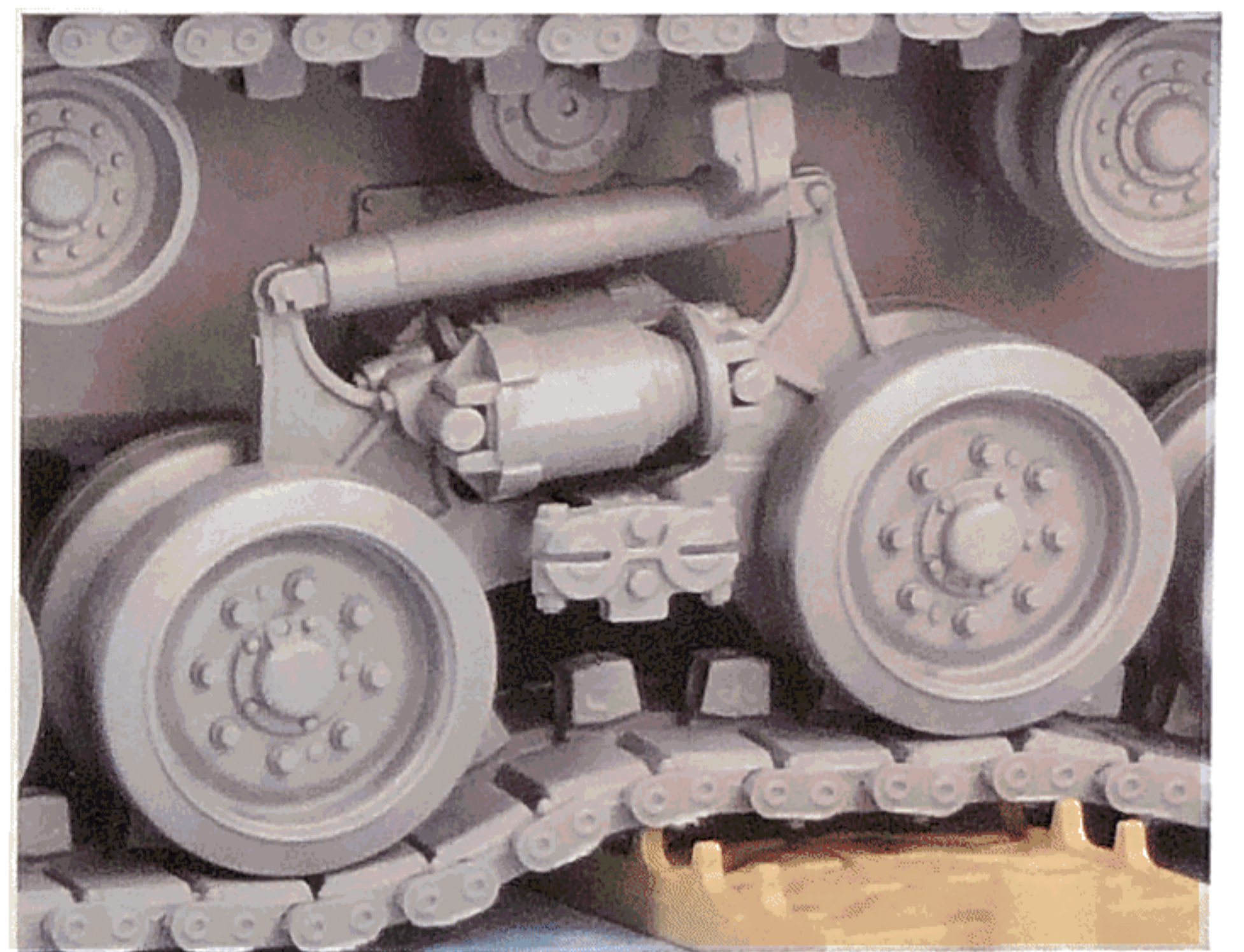
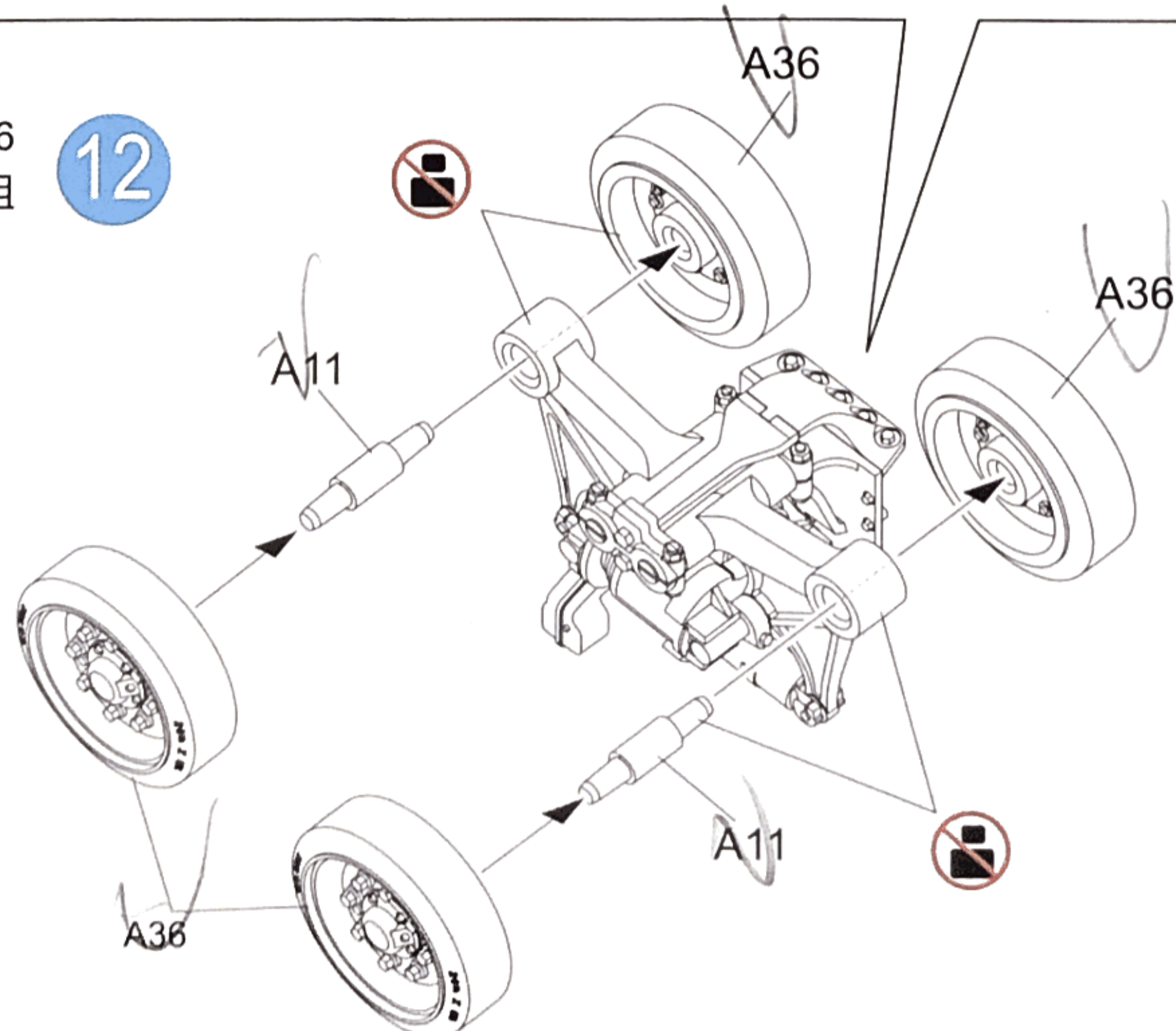


MAKE6
制作6组

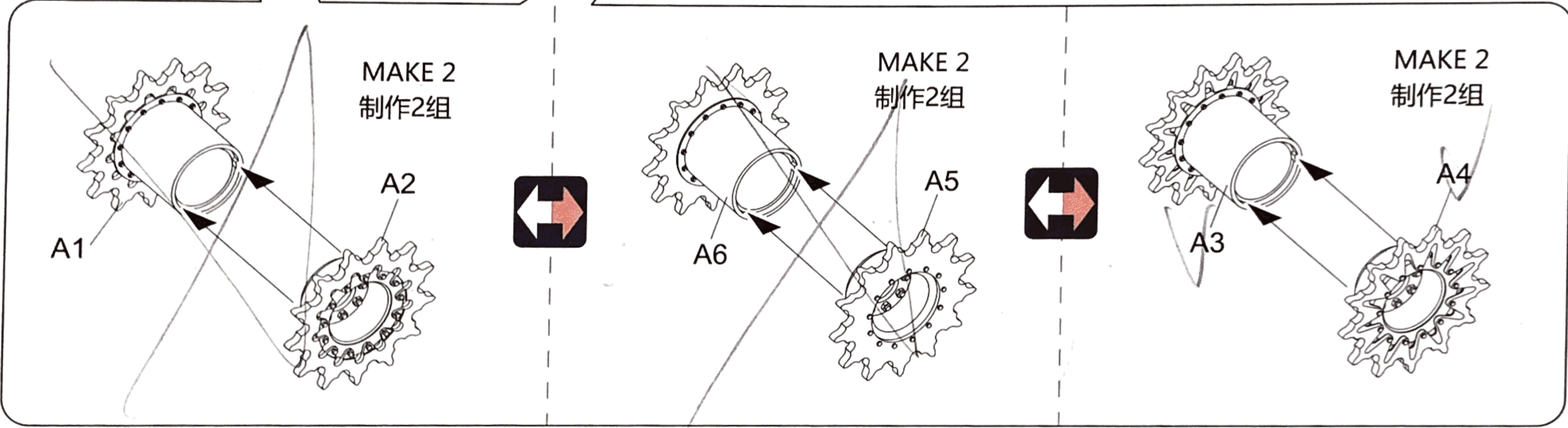
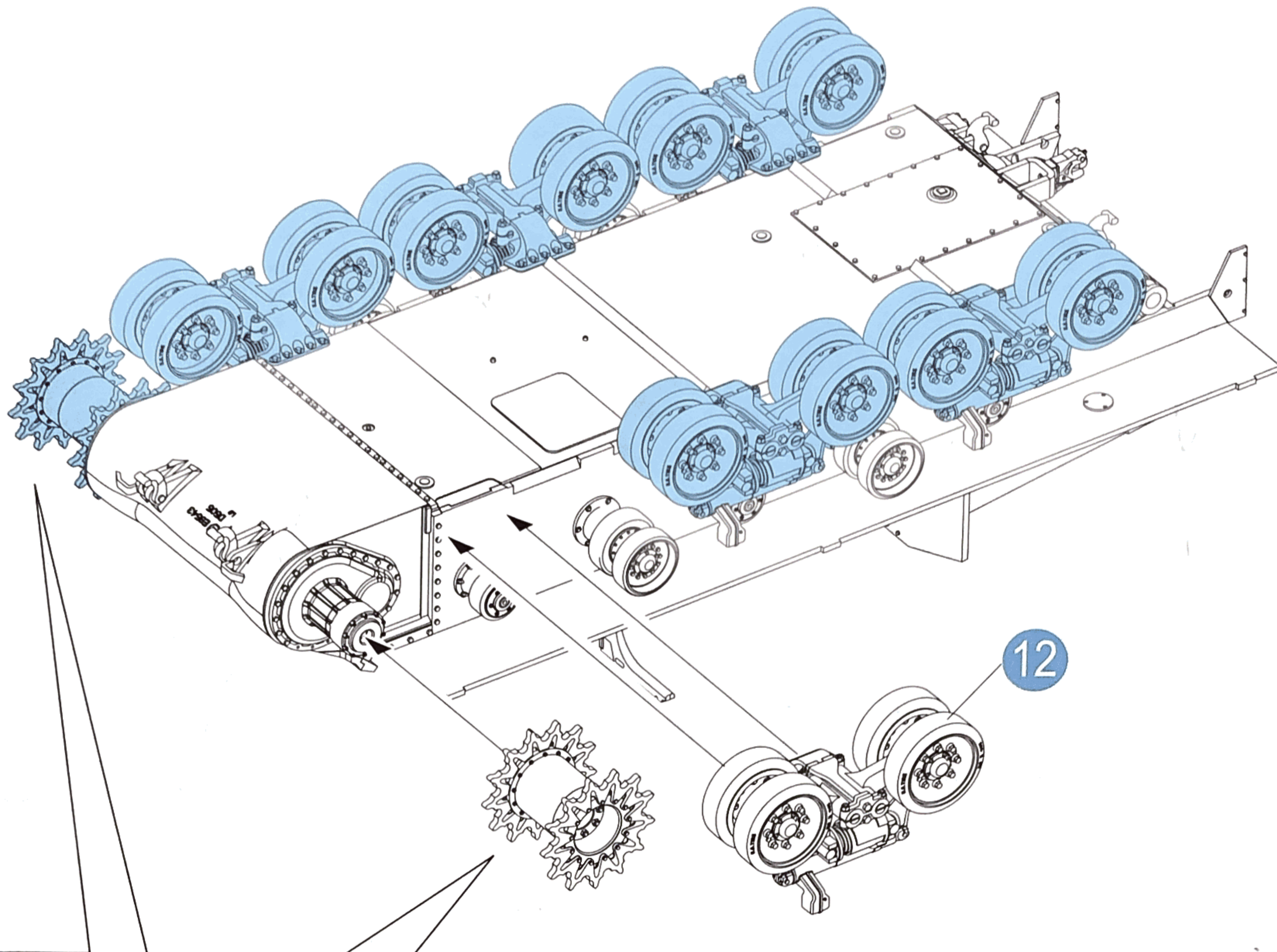


MAKE6
制作6组

12



STEP 39



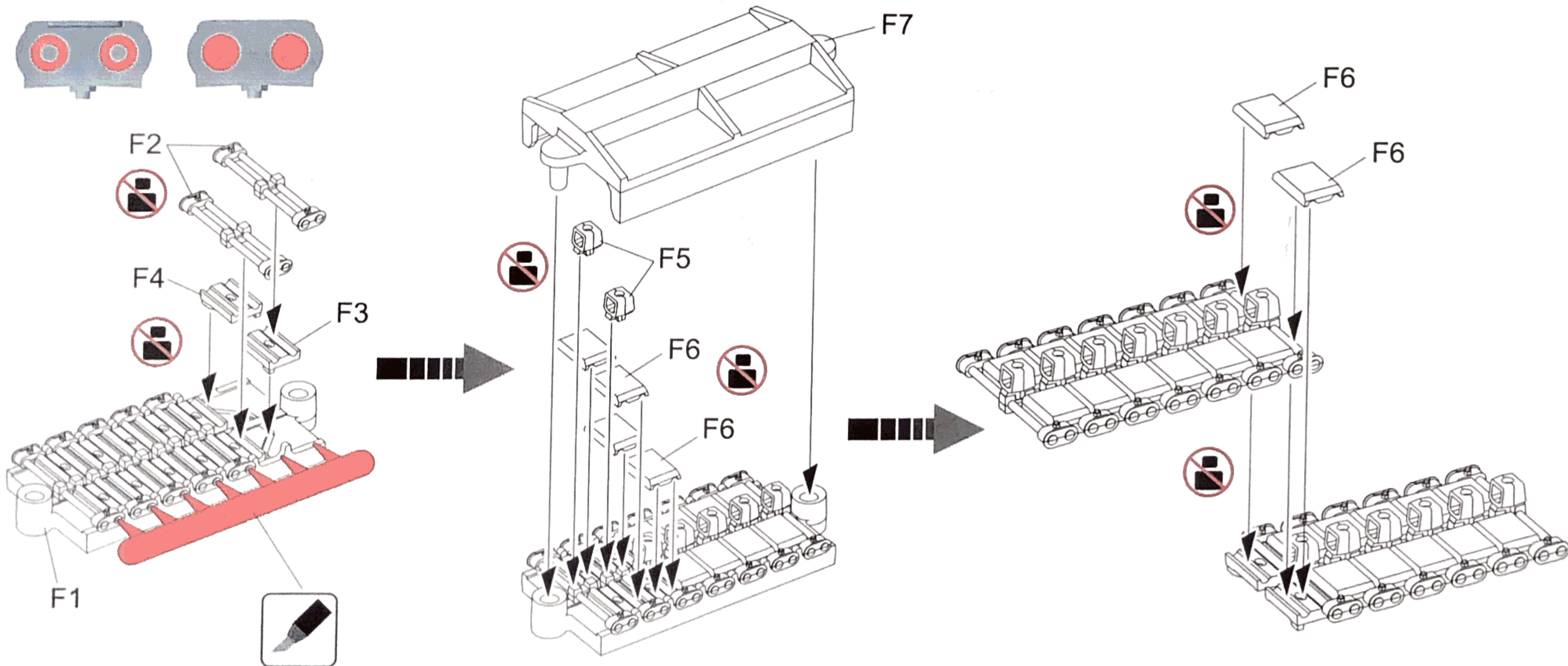
STEP 40



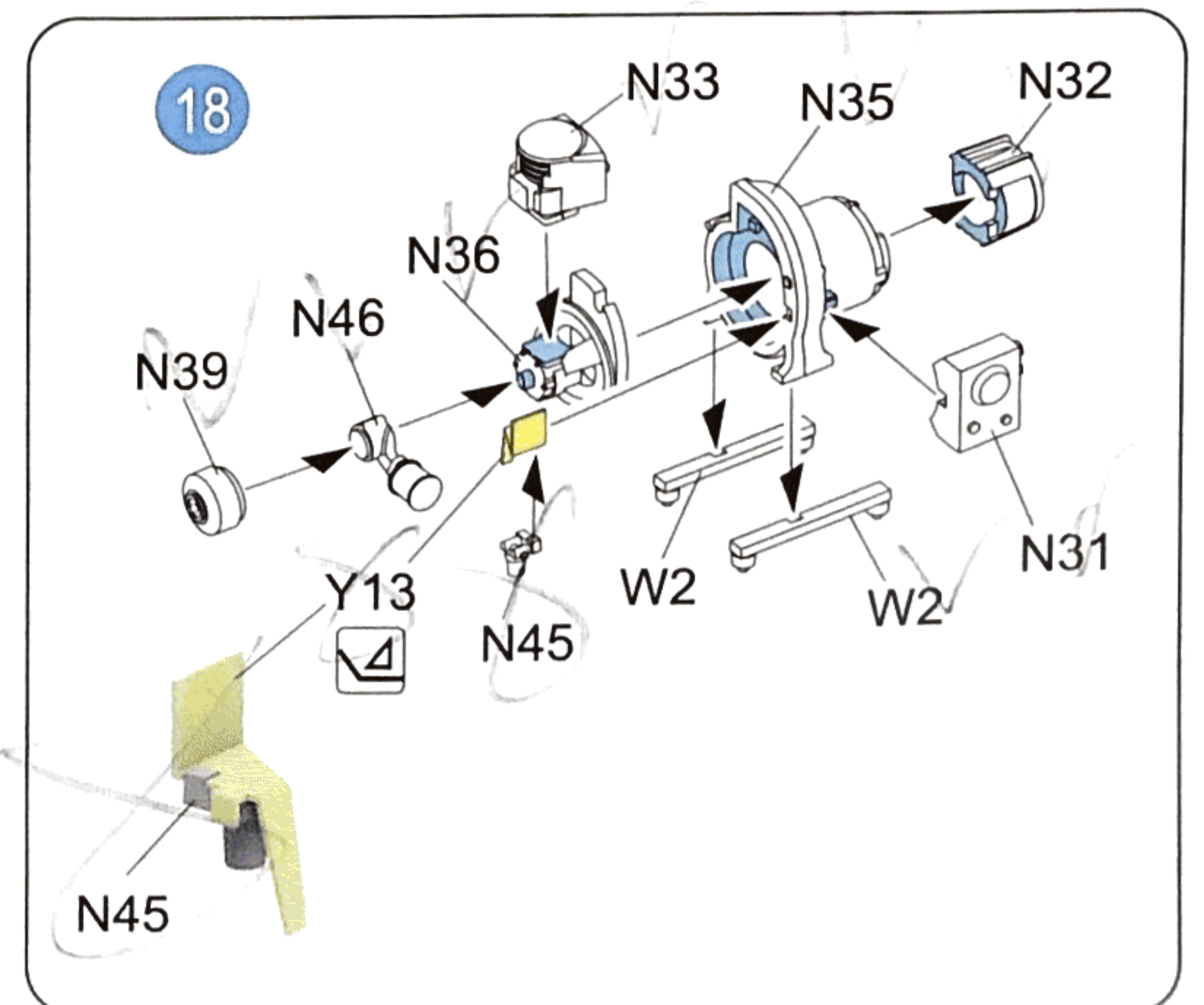
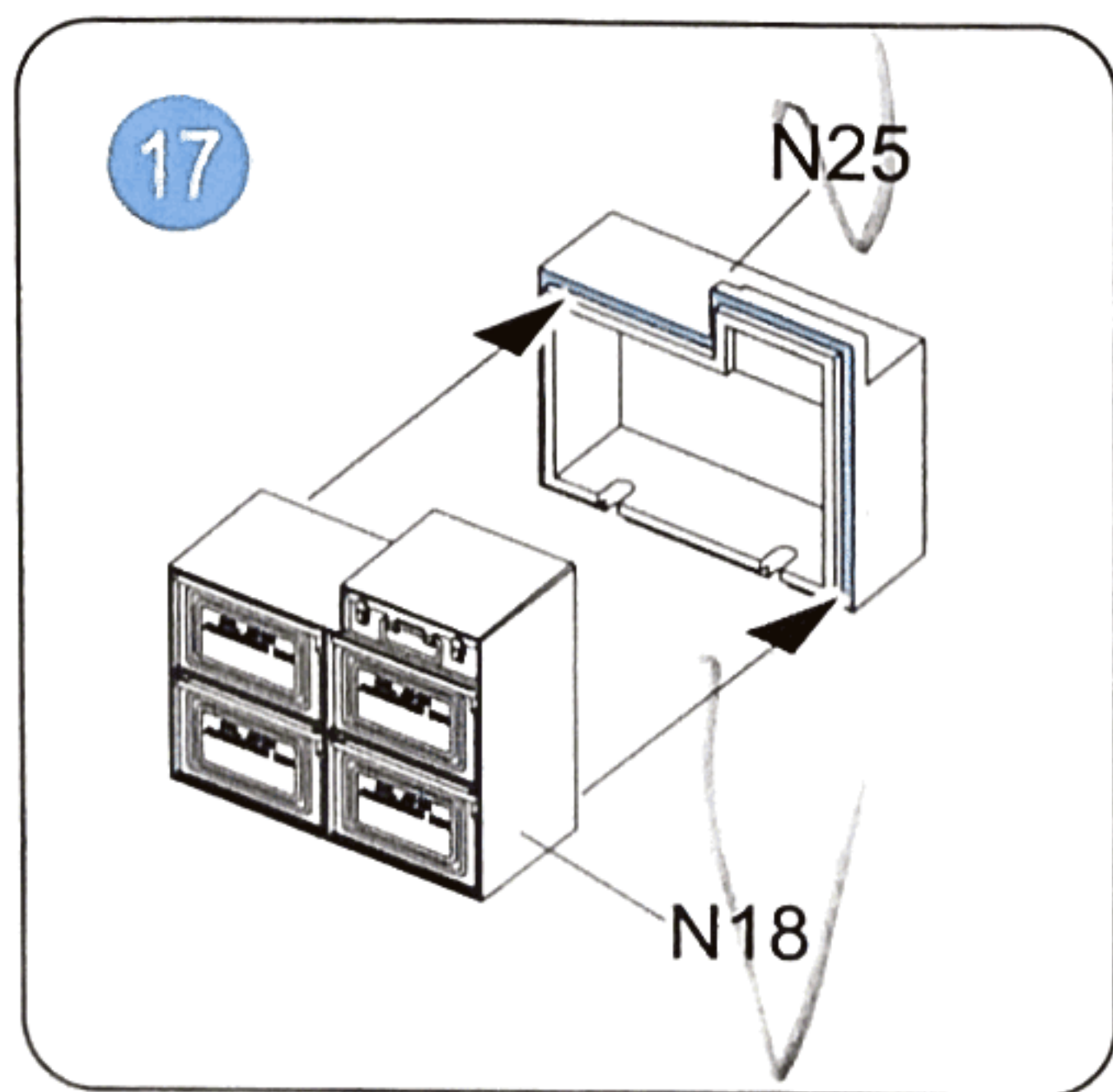
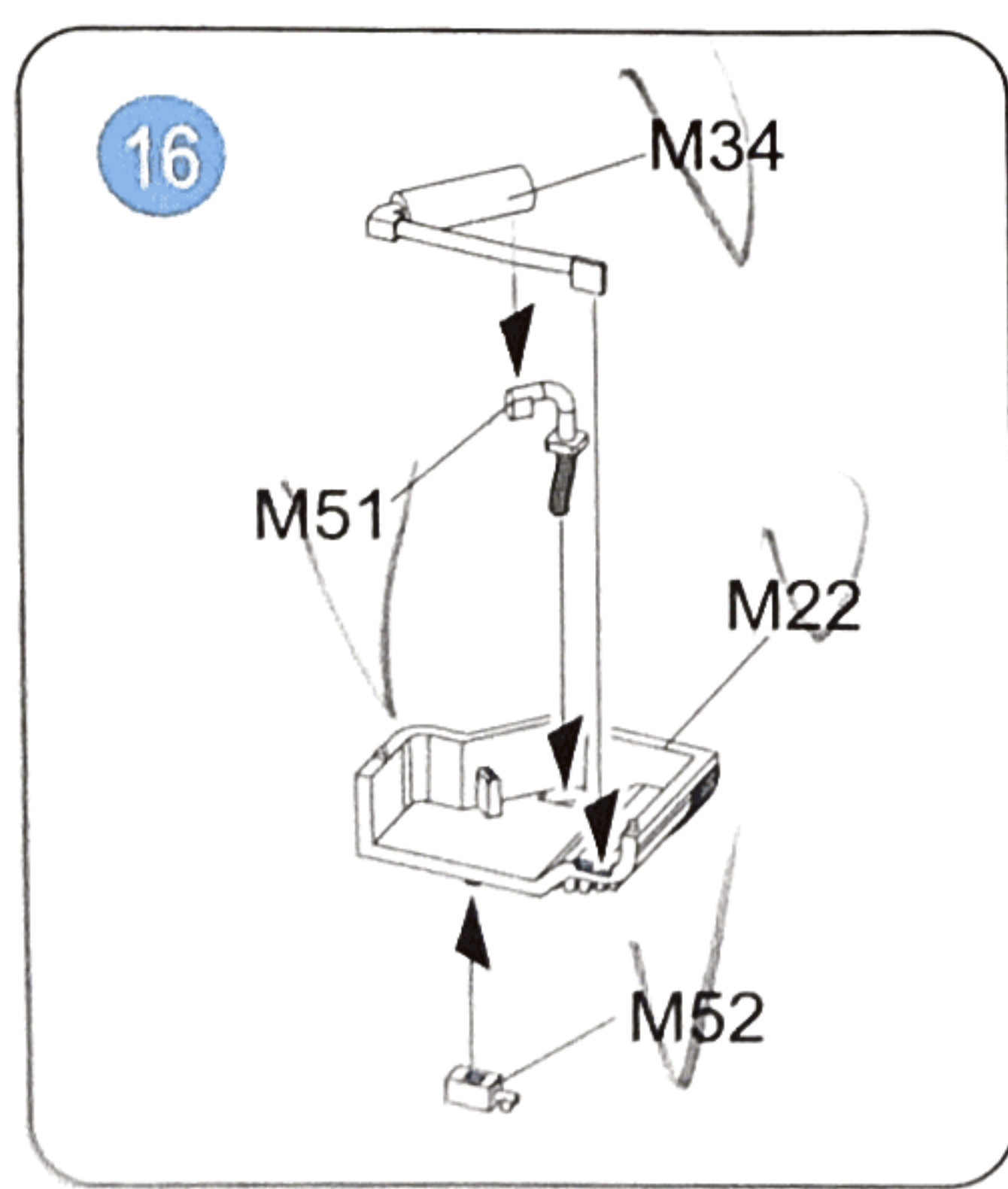
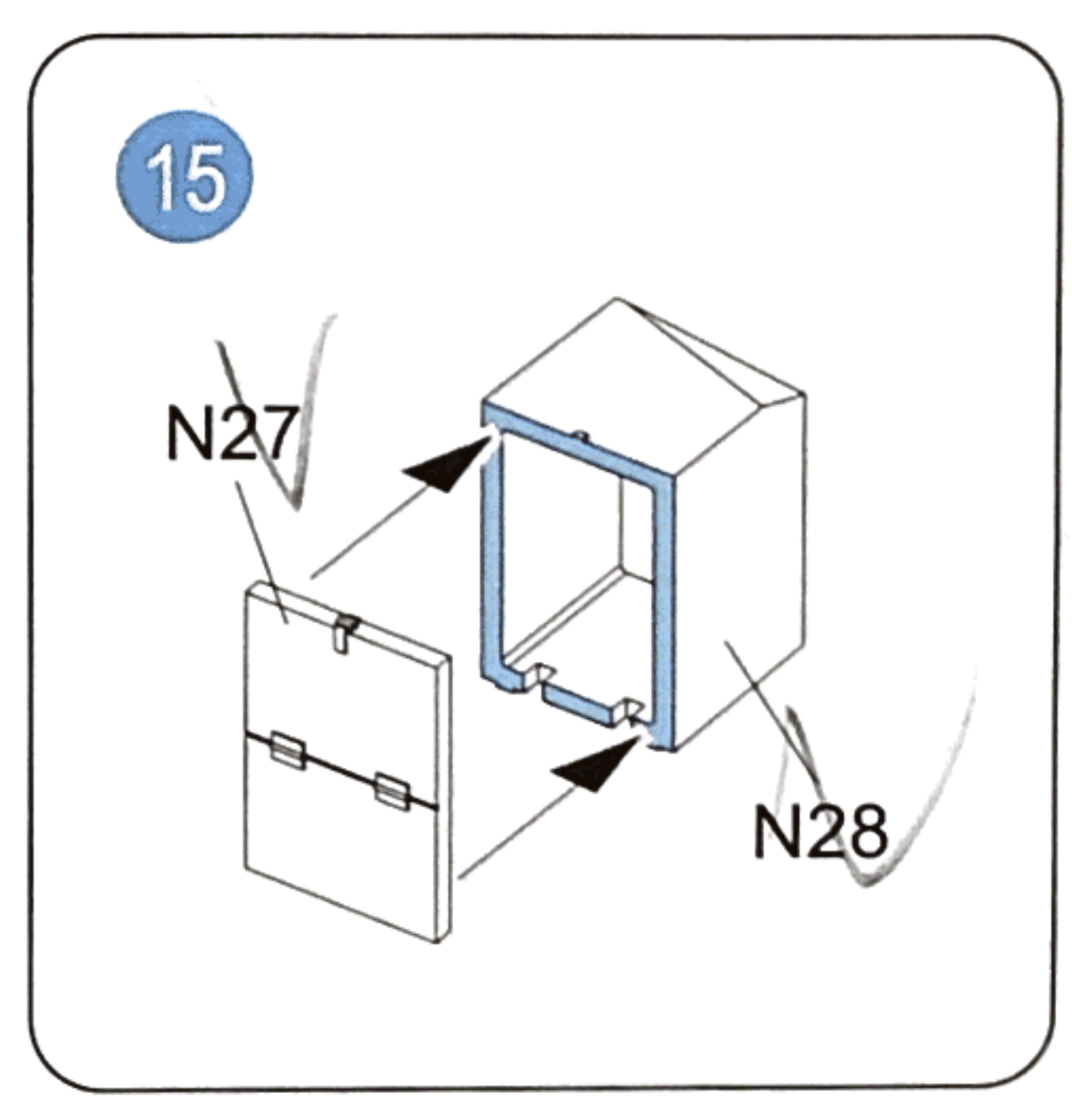
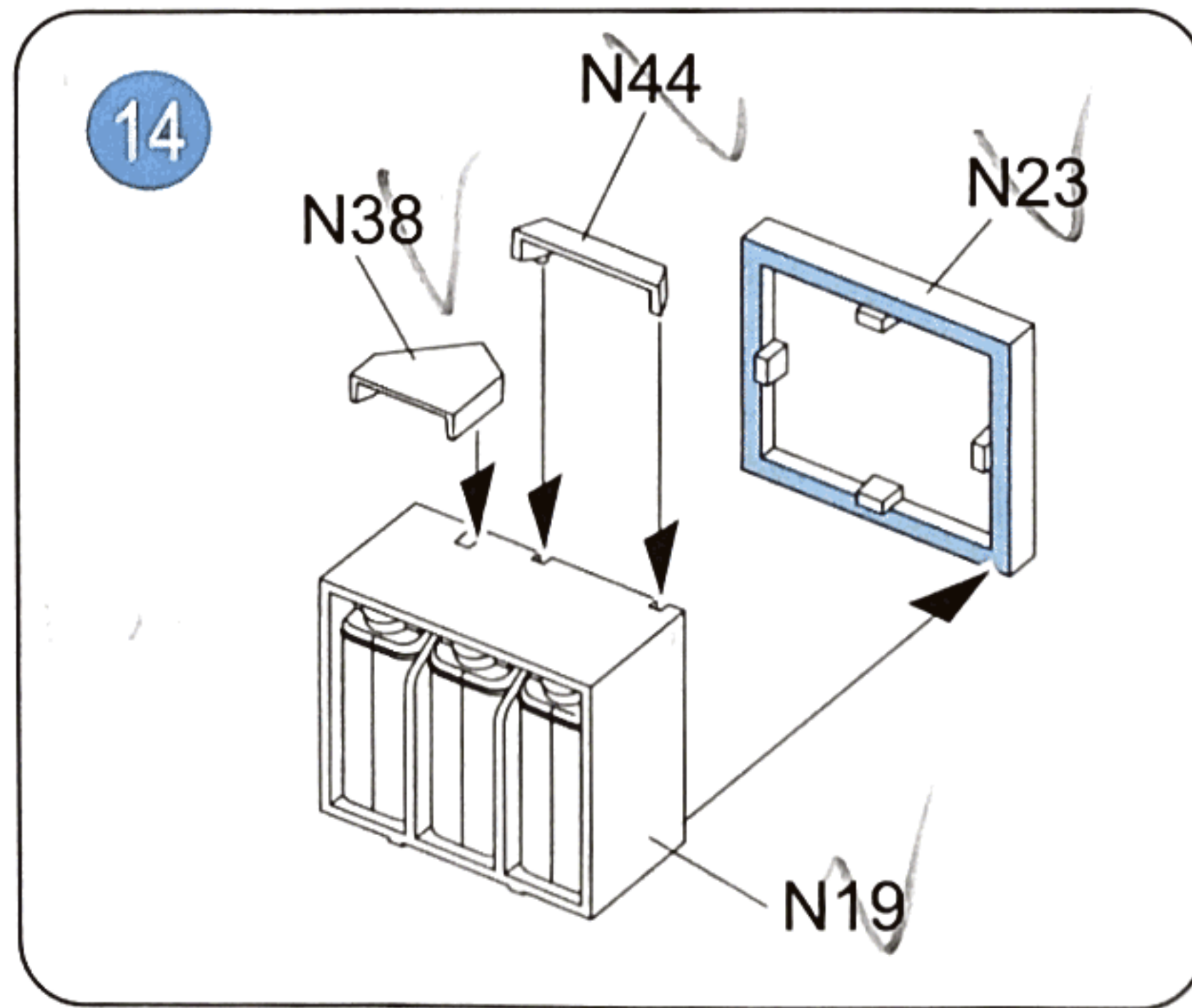
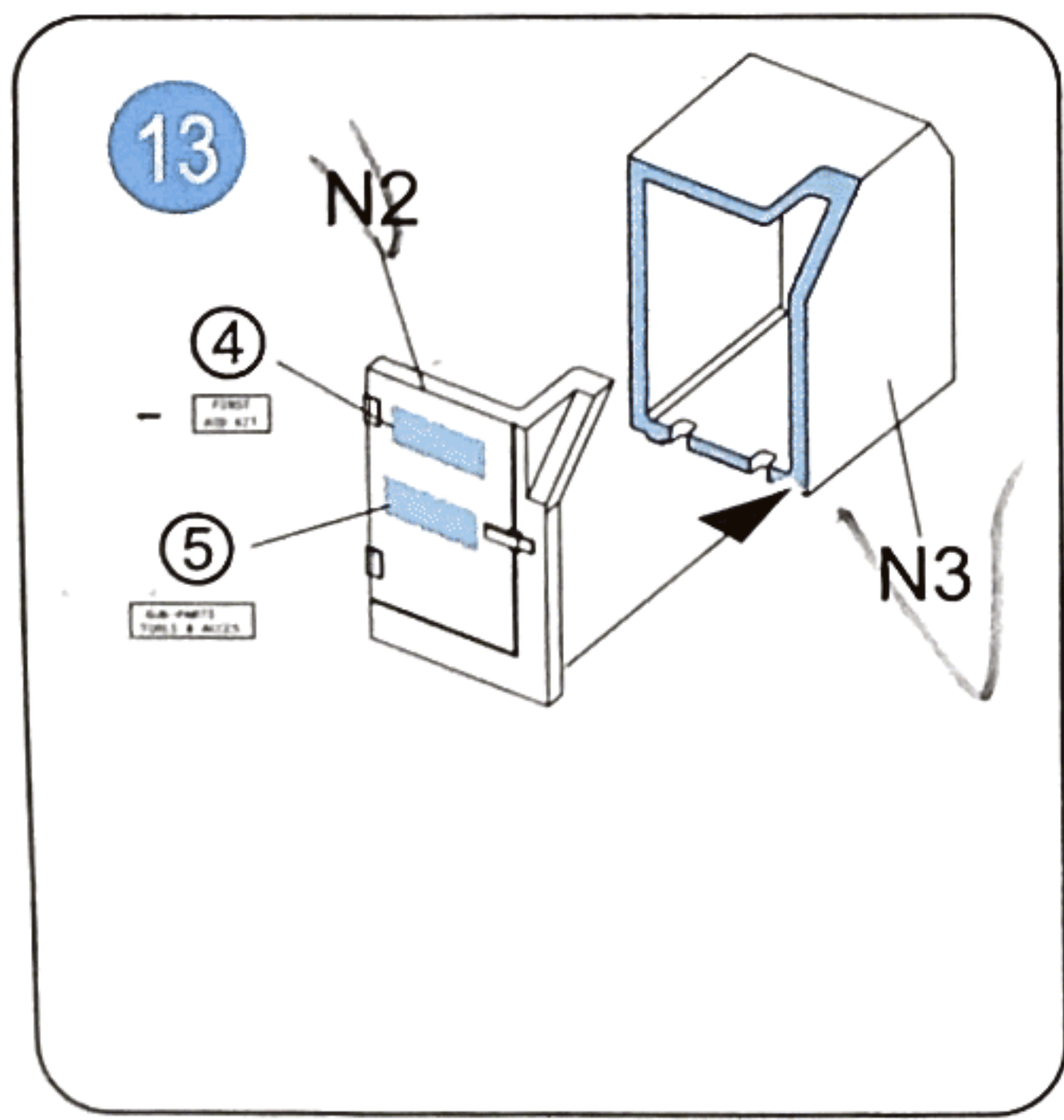
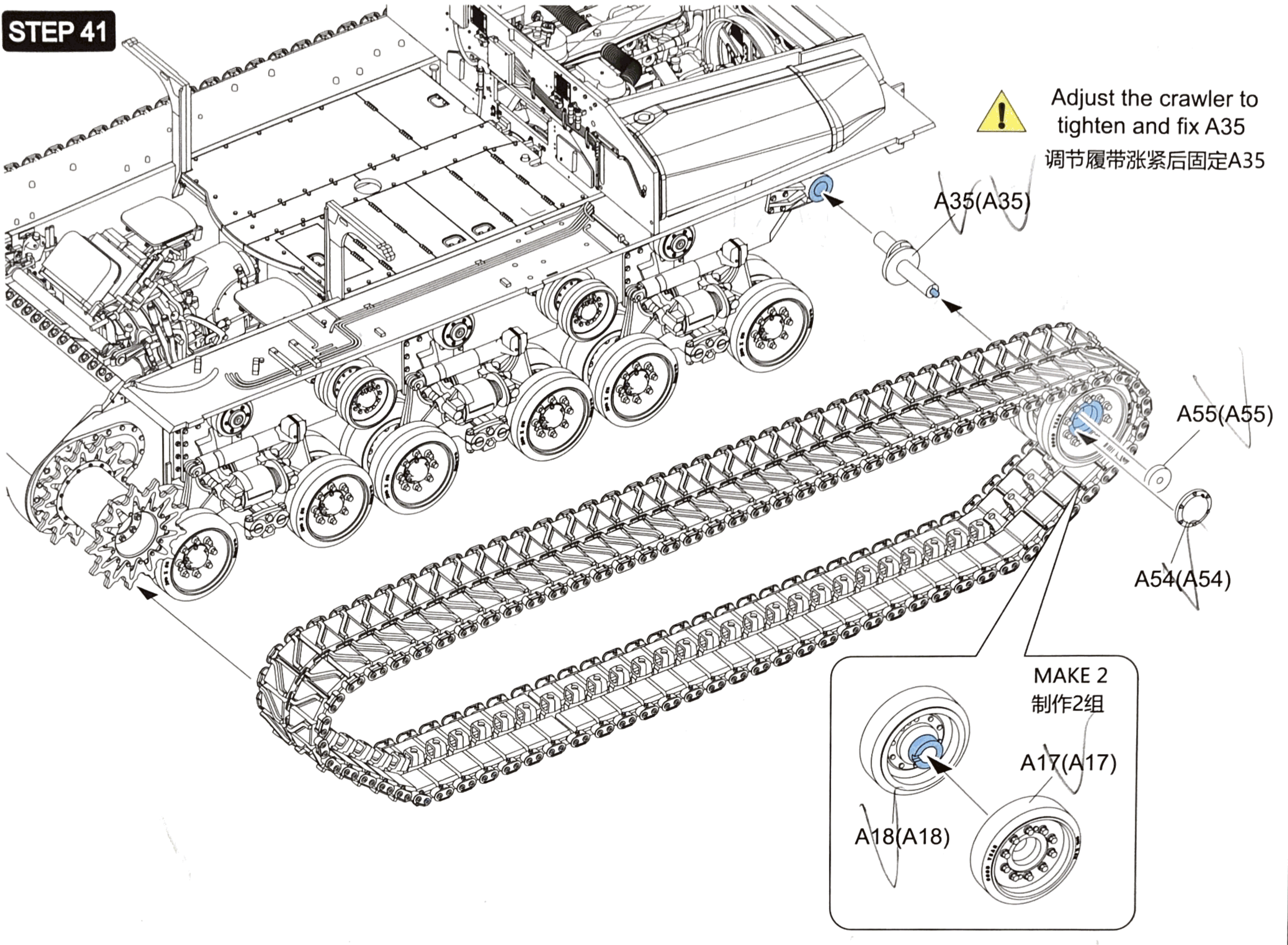
Recommended to assemble 76 pieces on each side.
建议每侧装配76节

Out side
外侧

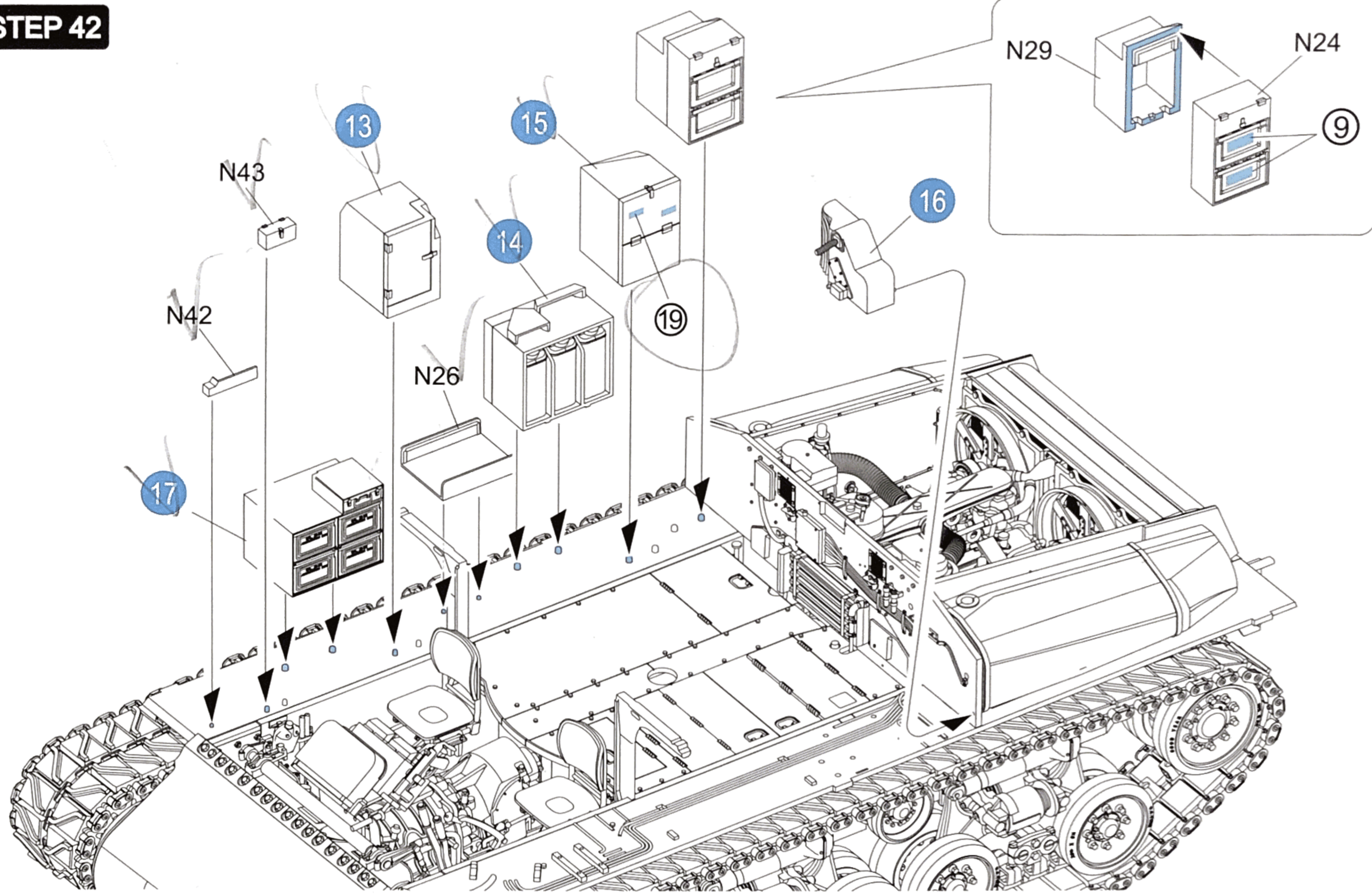
In side
内侧



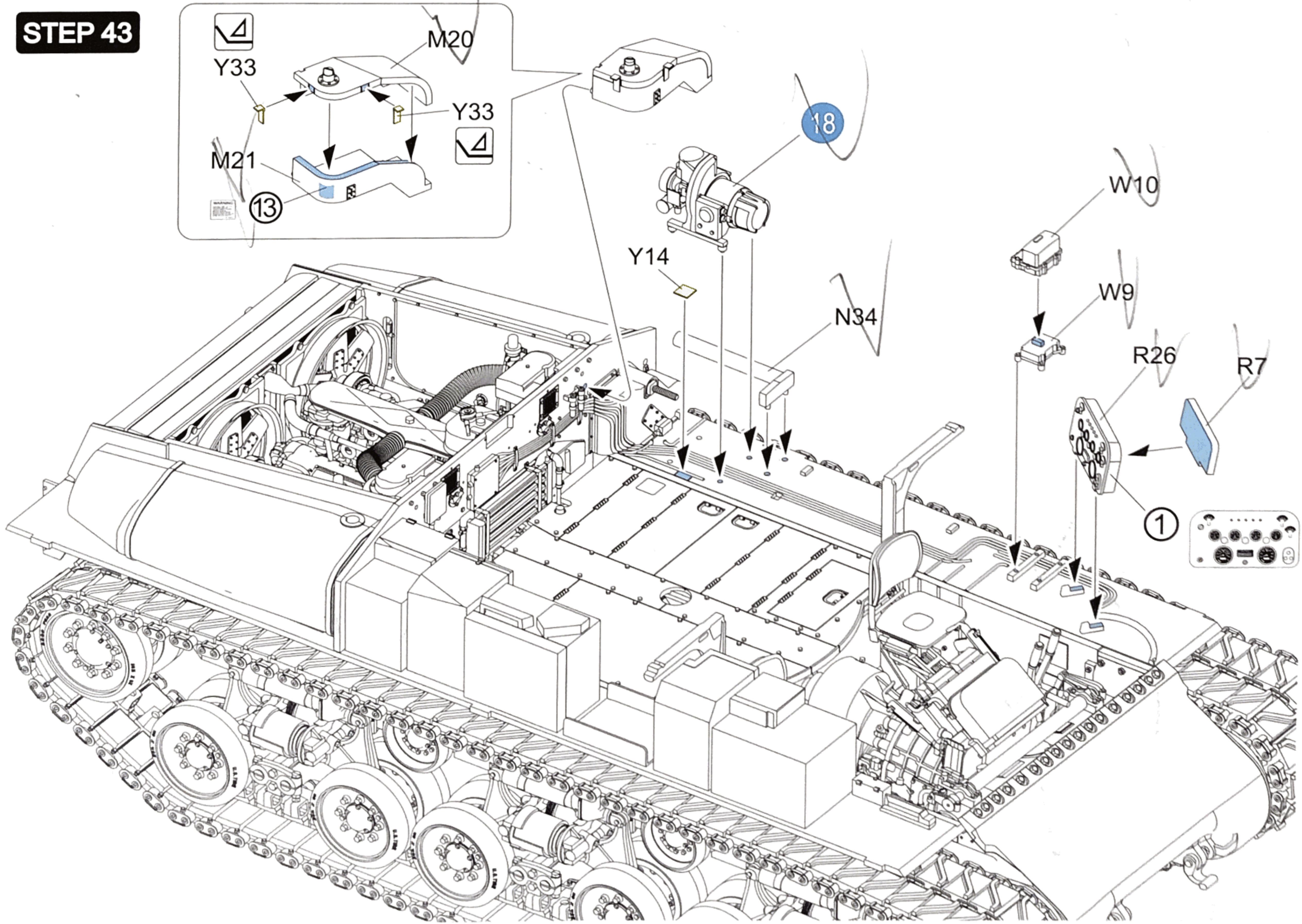
STEP 41

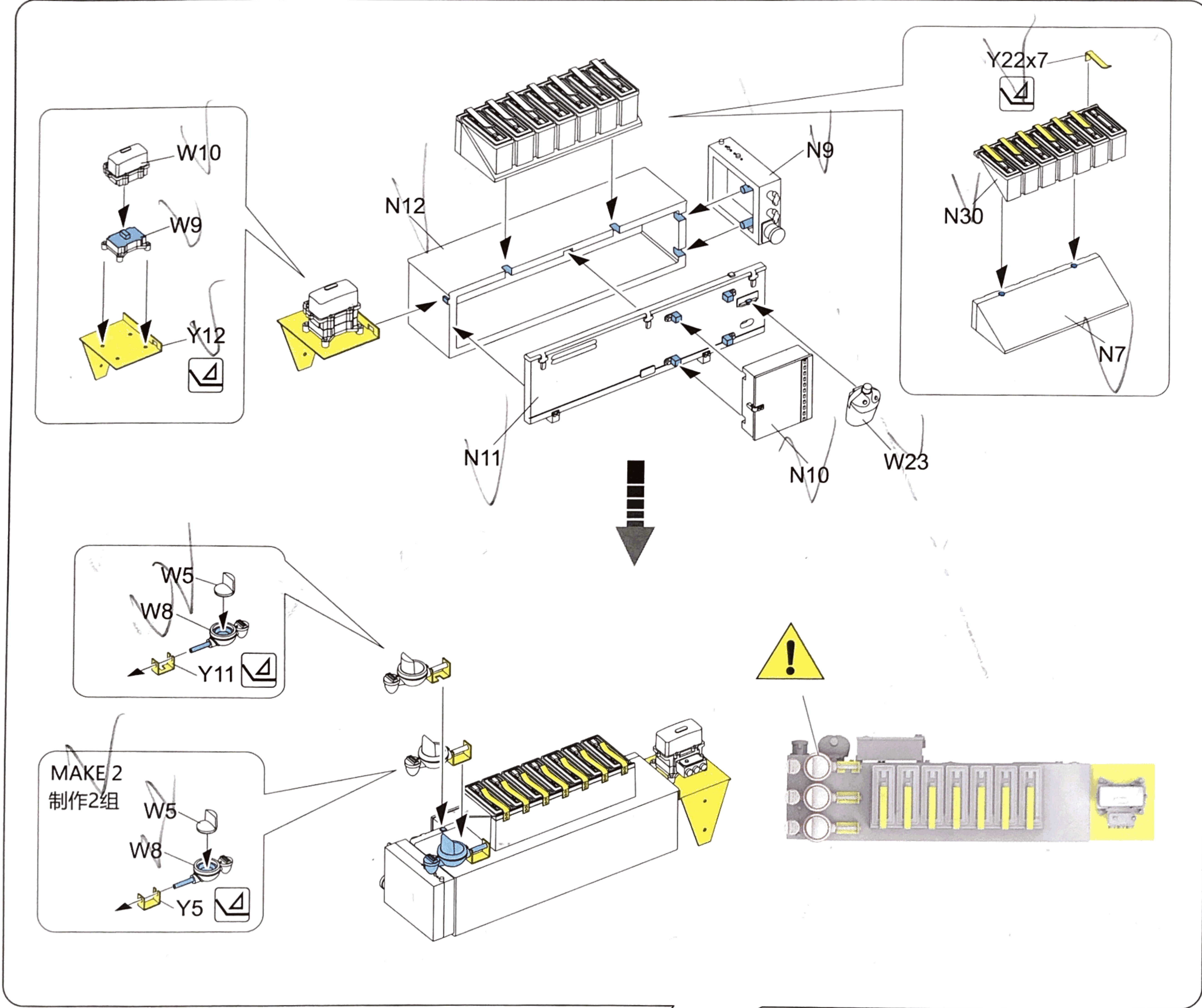


STEP 42

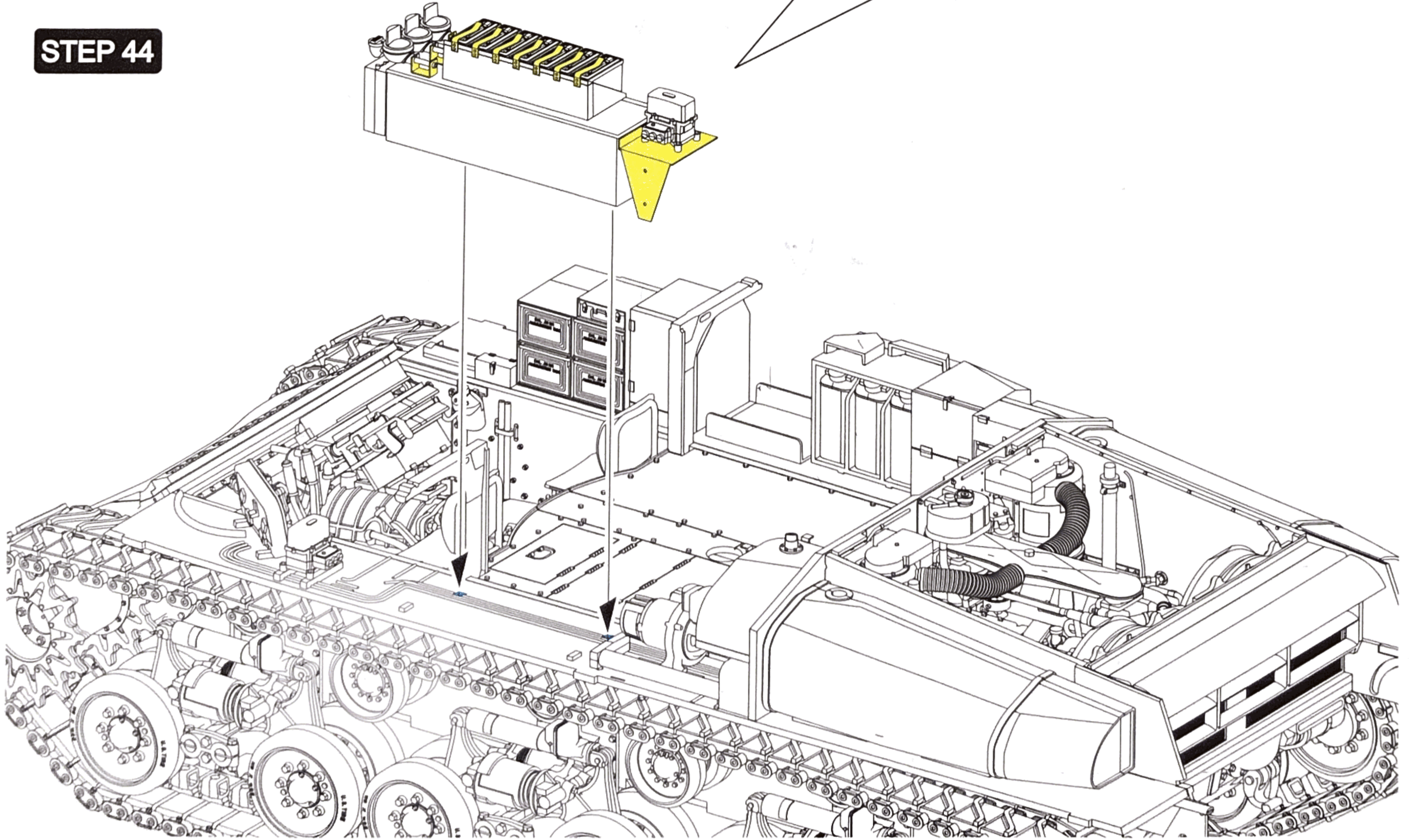


STEP 43





STEP 44

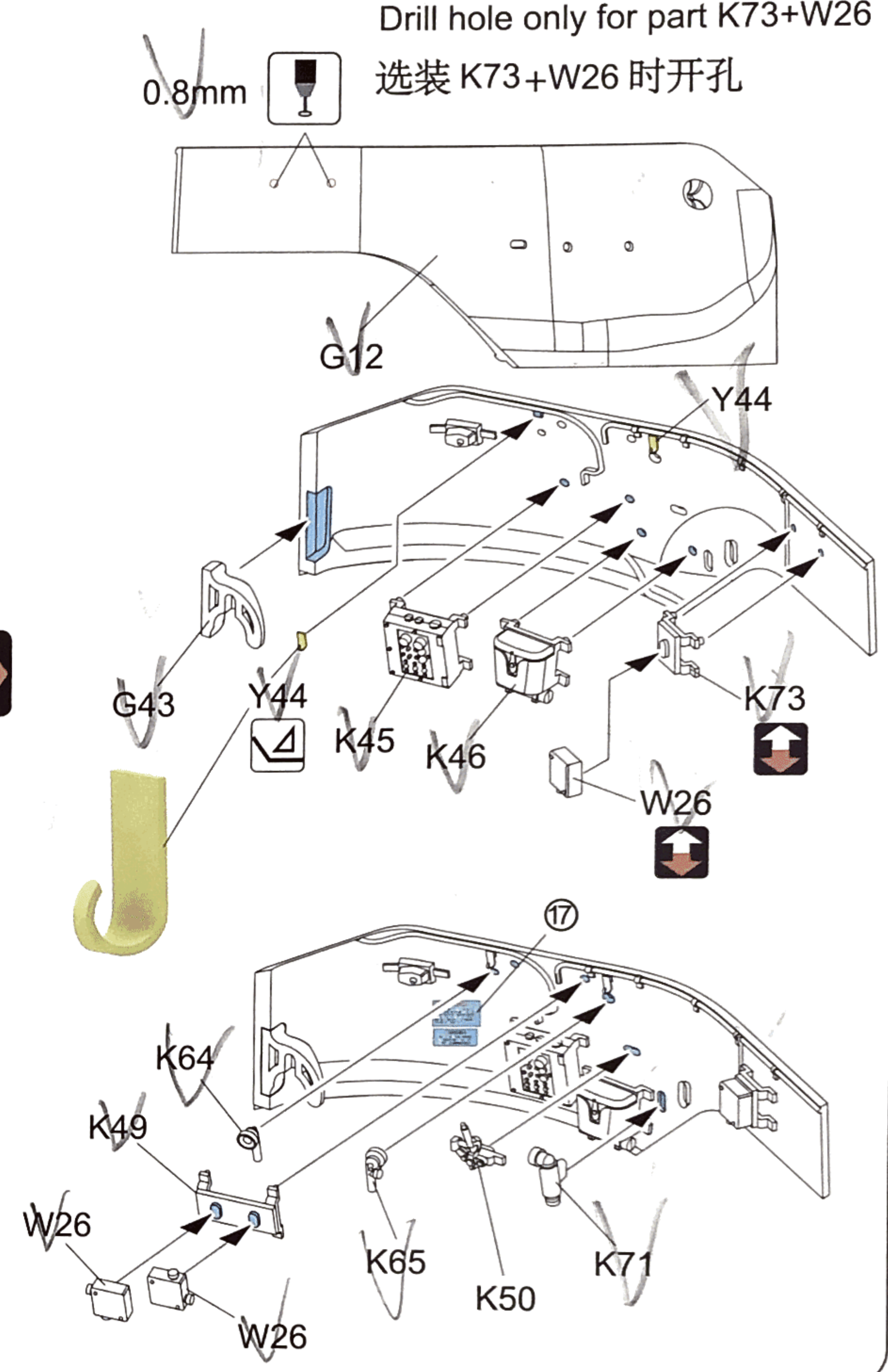
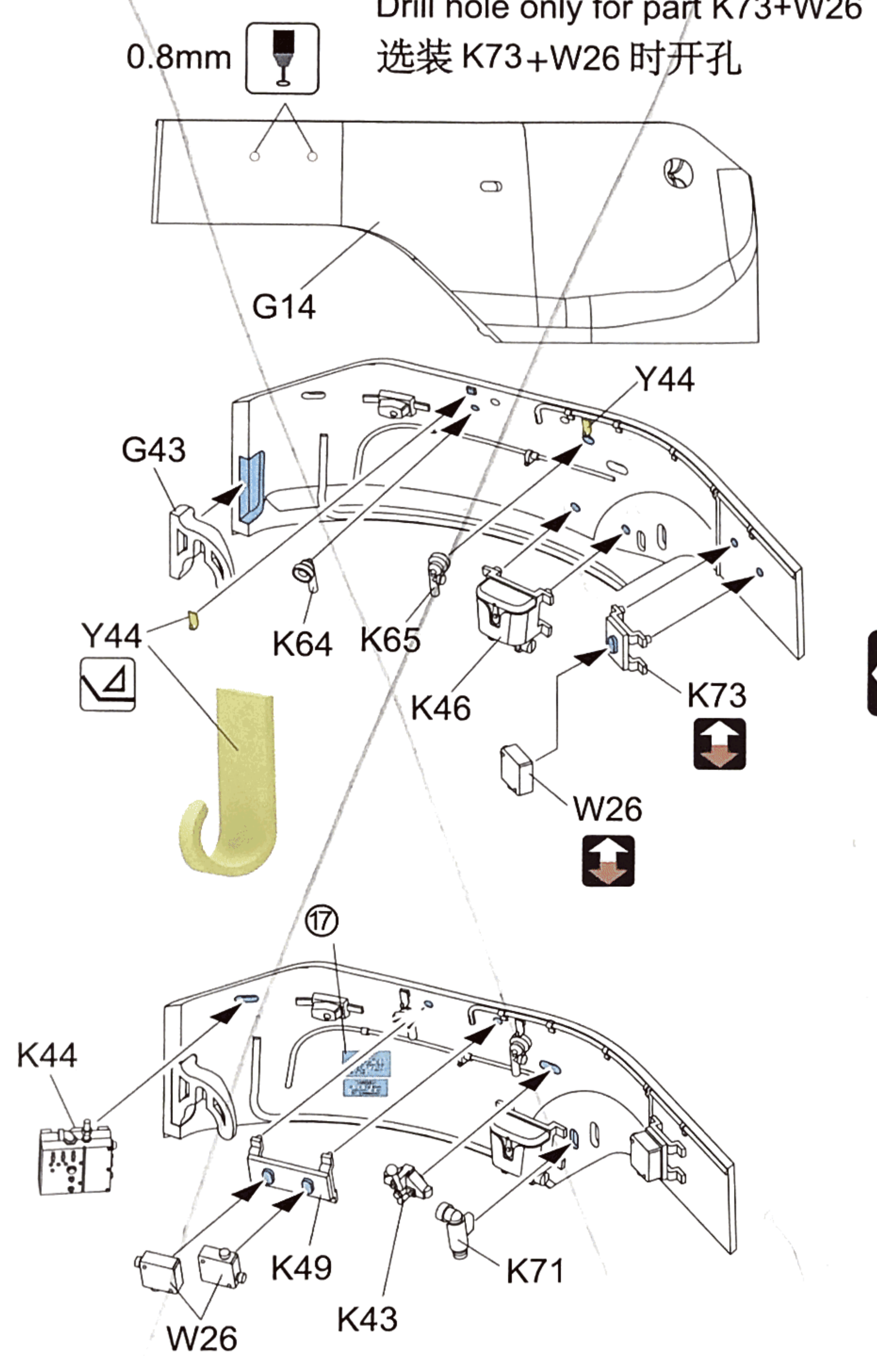


Early version
早期样式

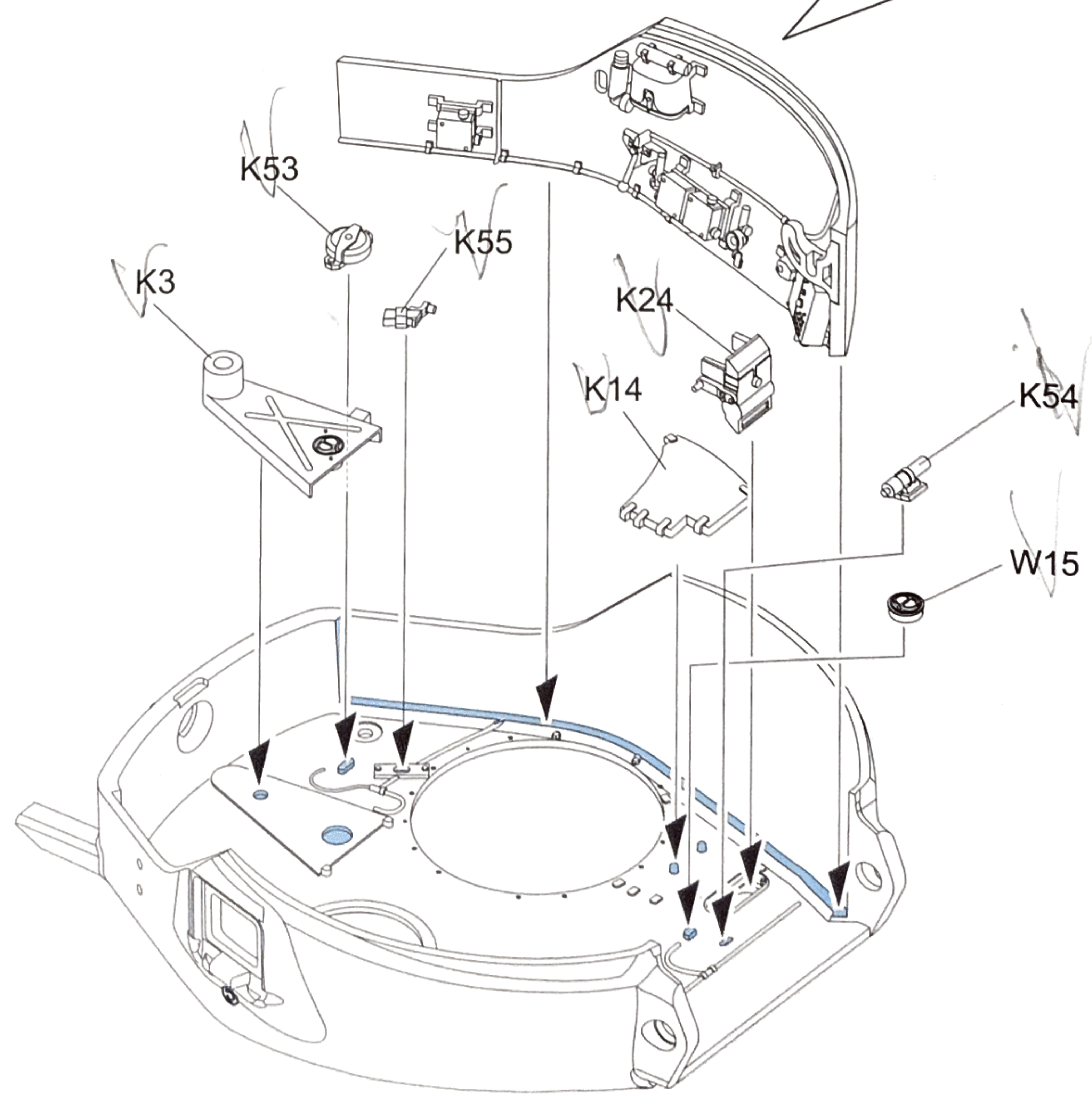
late version
后期样式

Drill hole only for part K73+W26
选装 K73+W26 时开孔

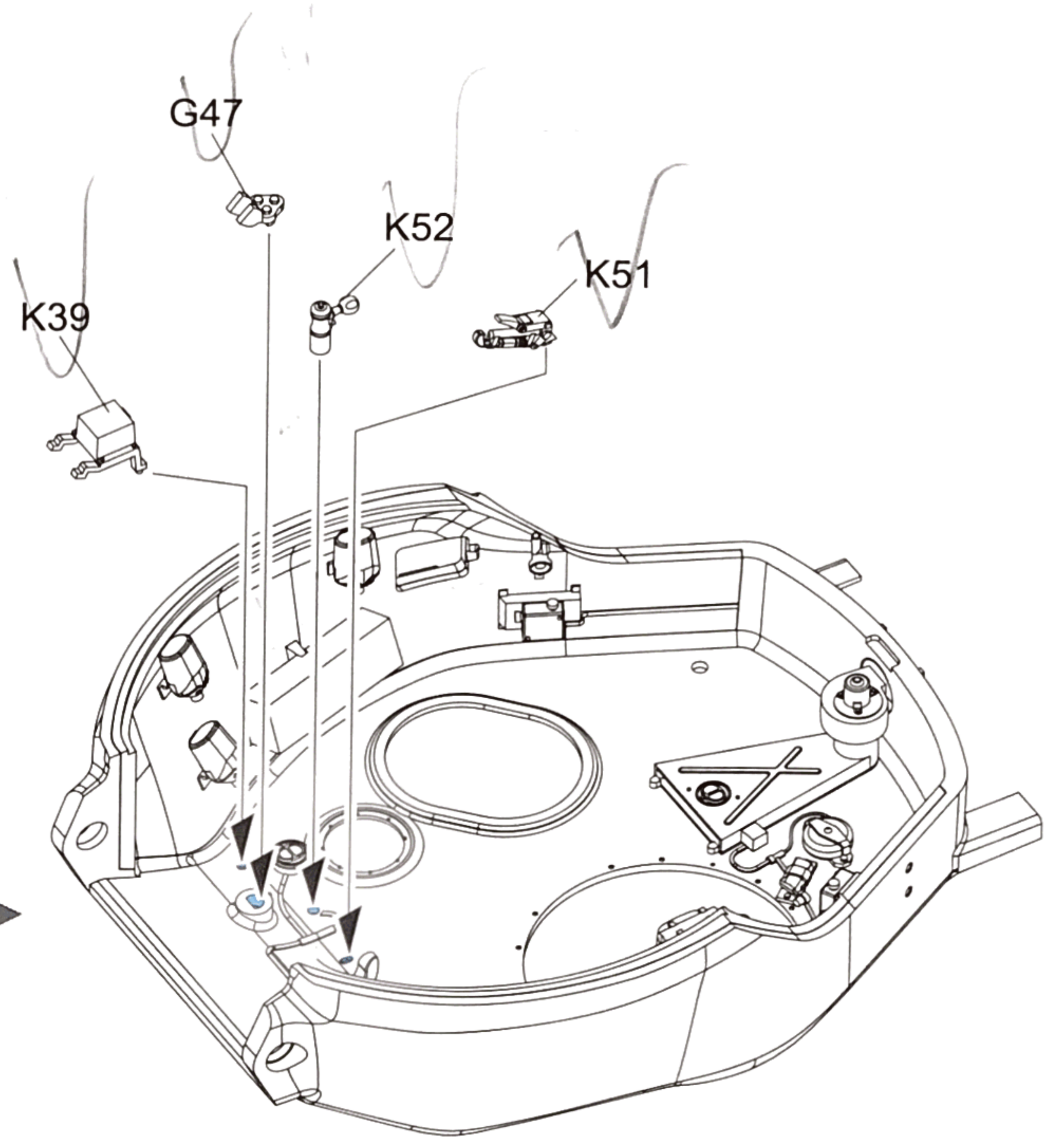
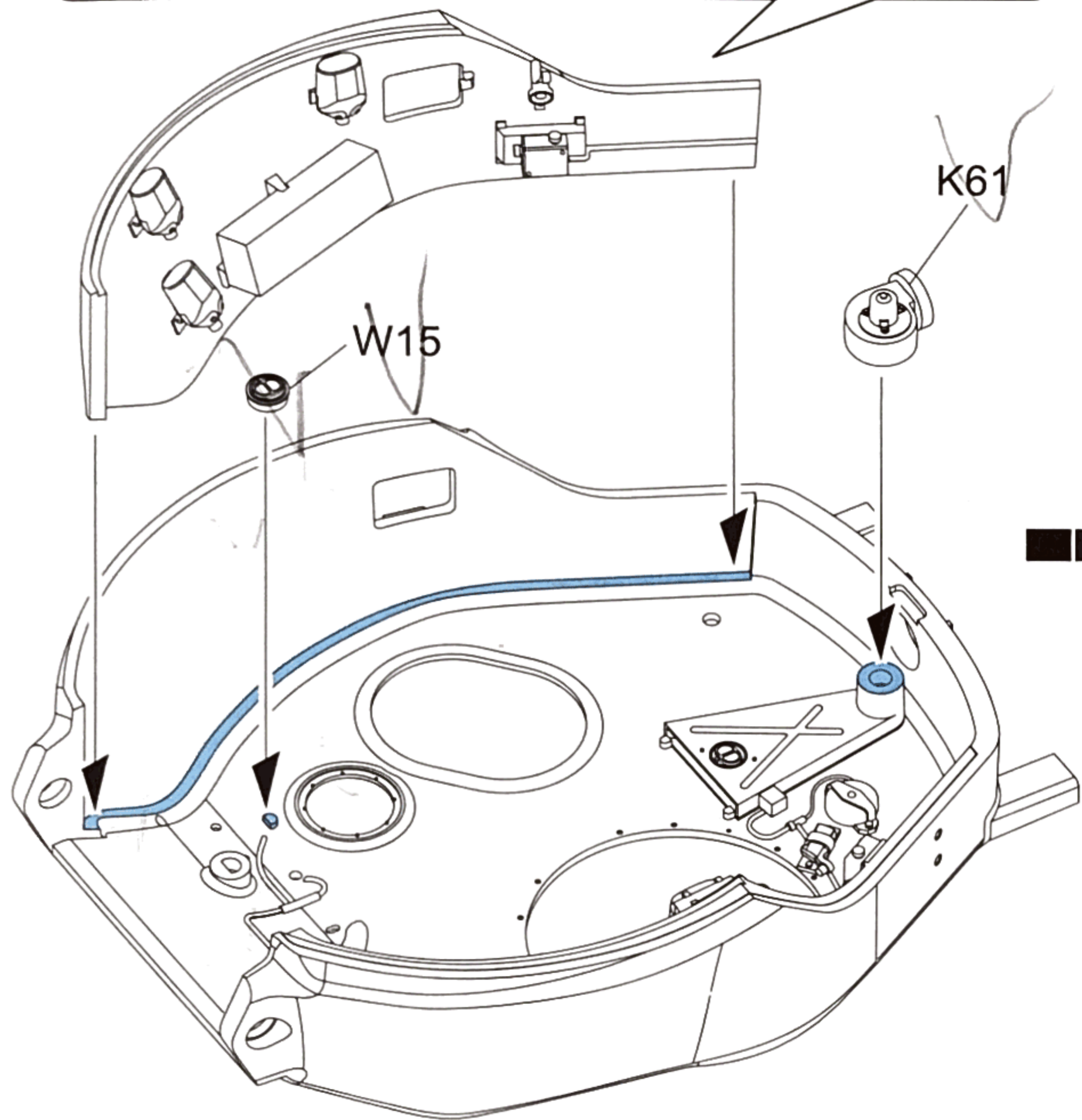
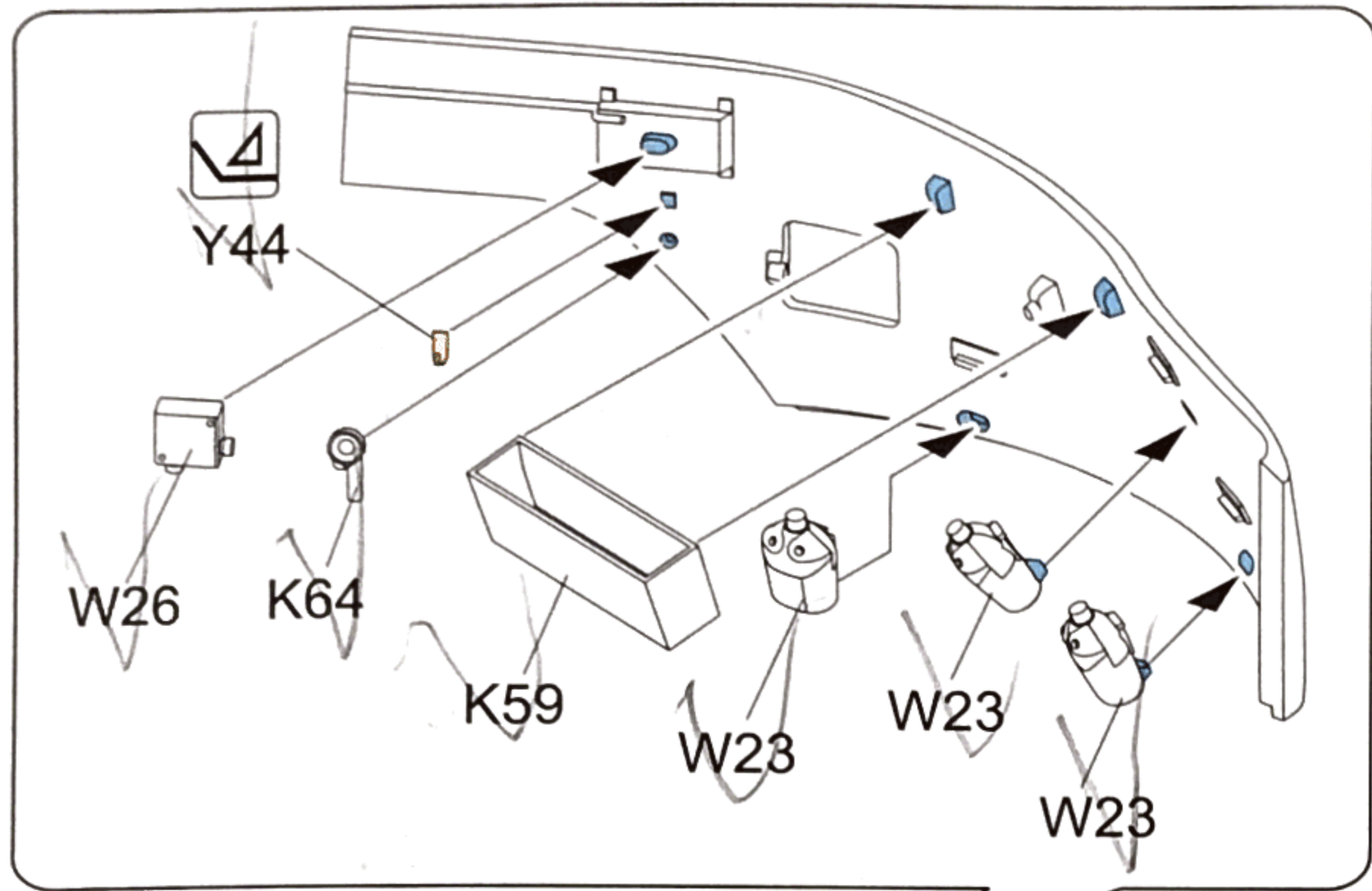
Drill hole only for part K73+W26
选装 K73+W26 时开孔



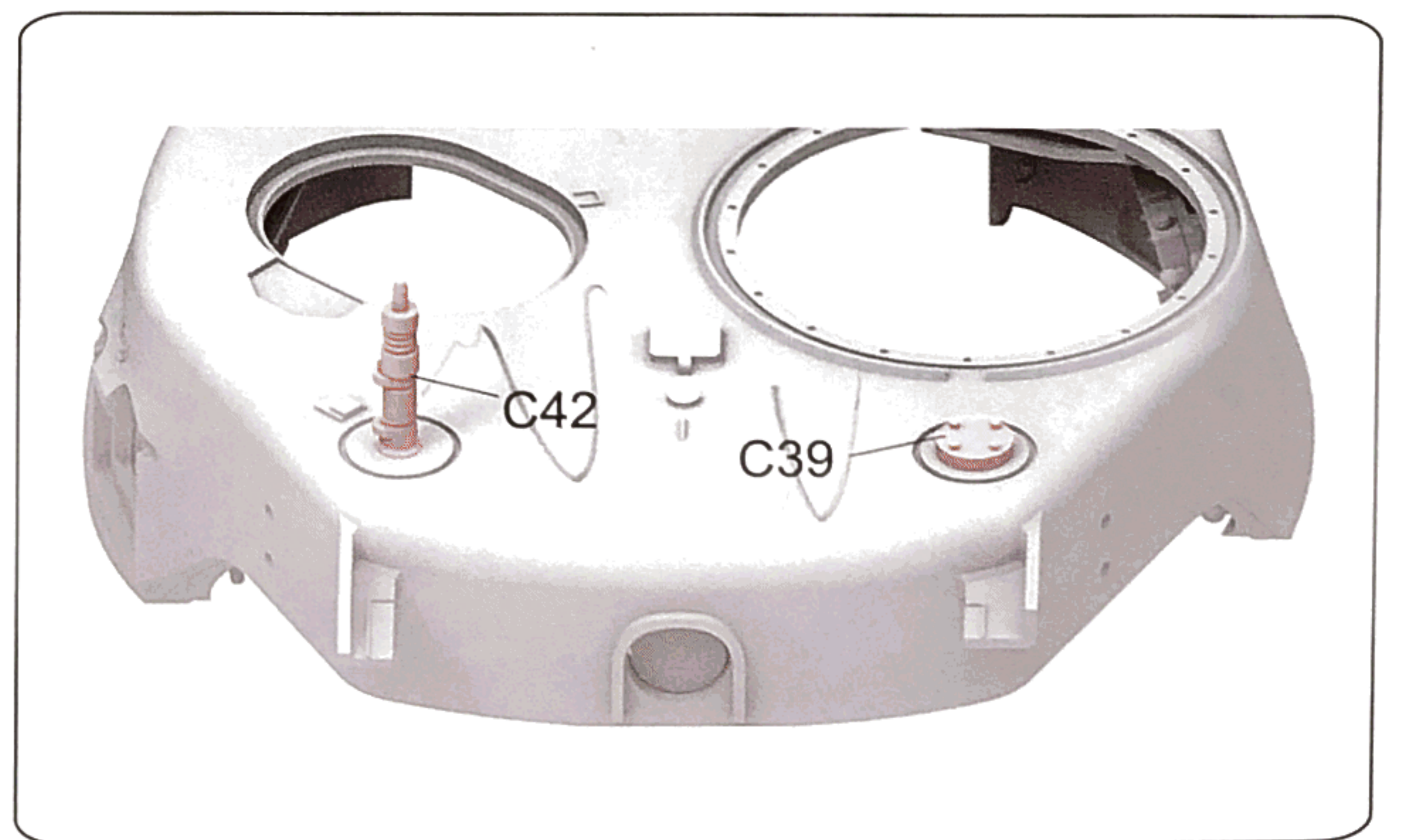
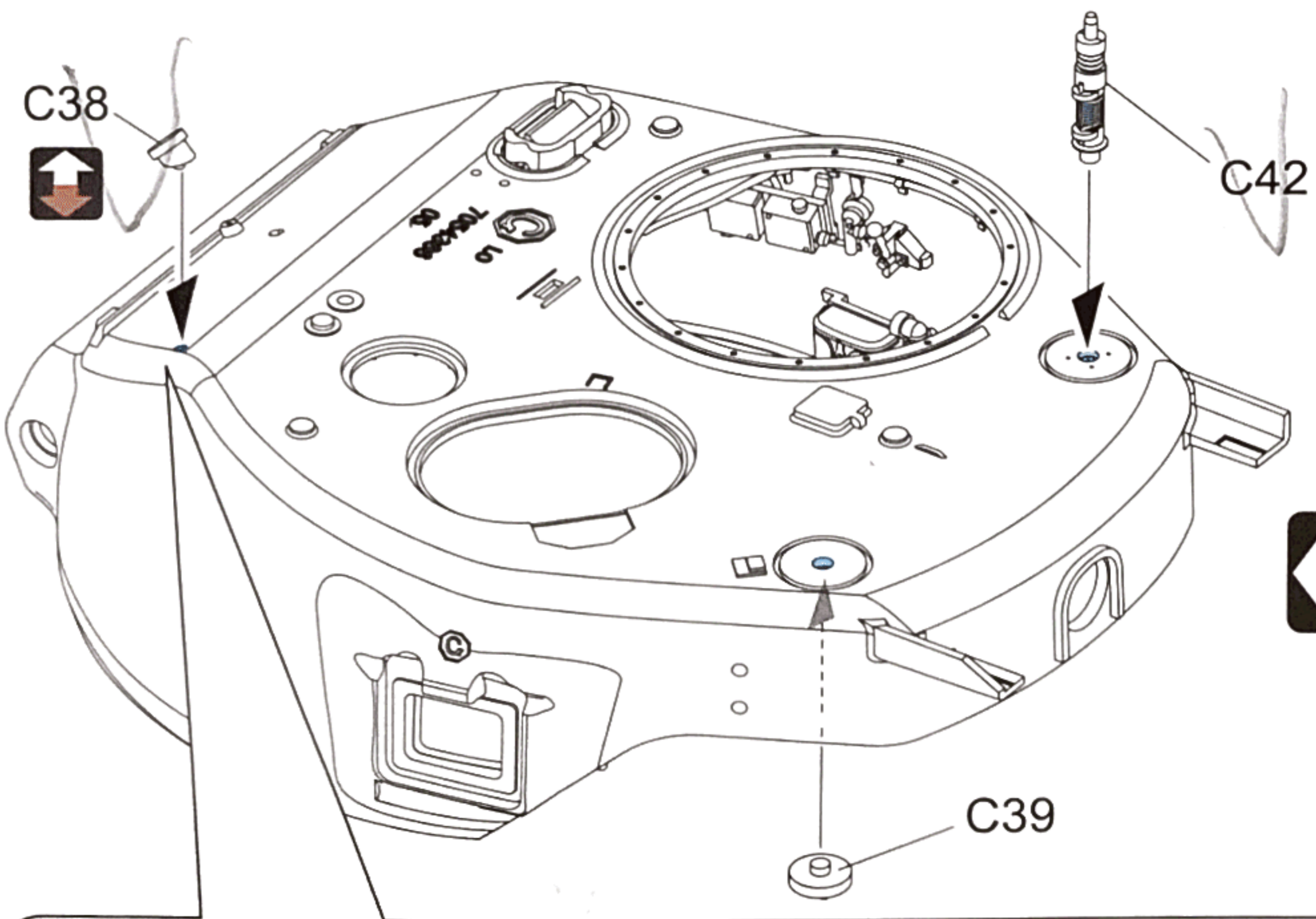
STEP 45



STEP 46



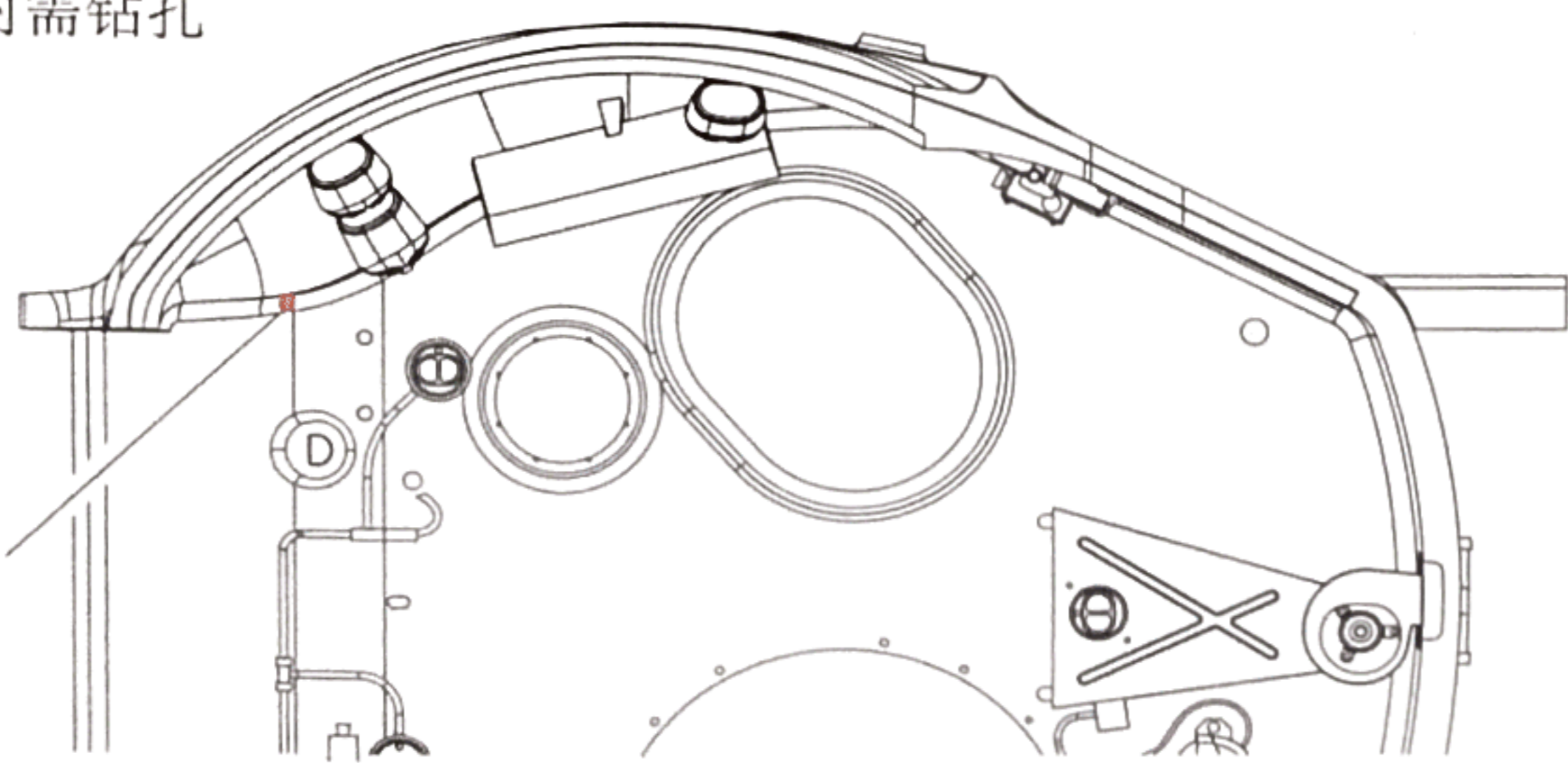
STEP 47

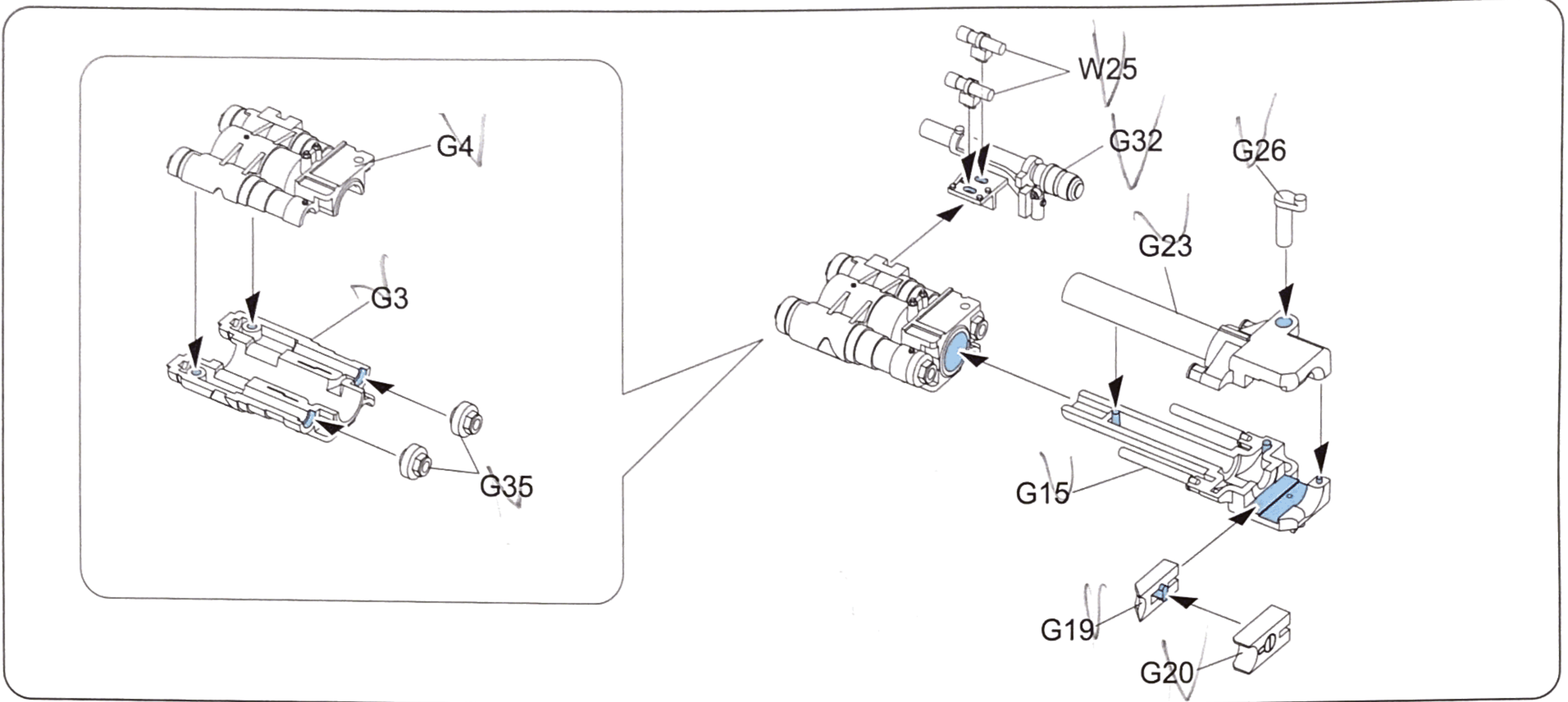


Drill hole only for part C38

选装C38时需钻孔

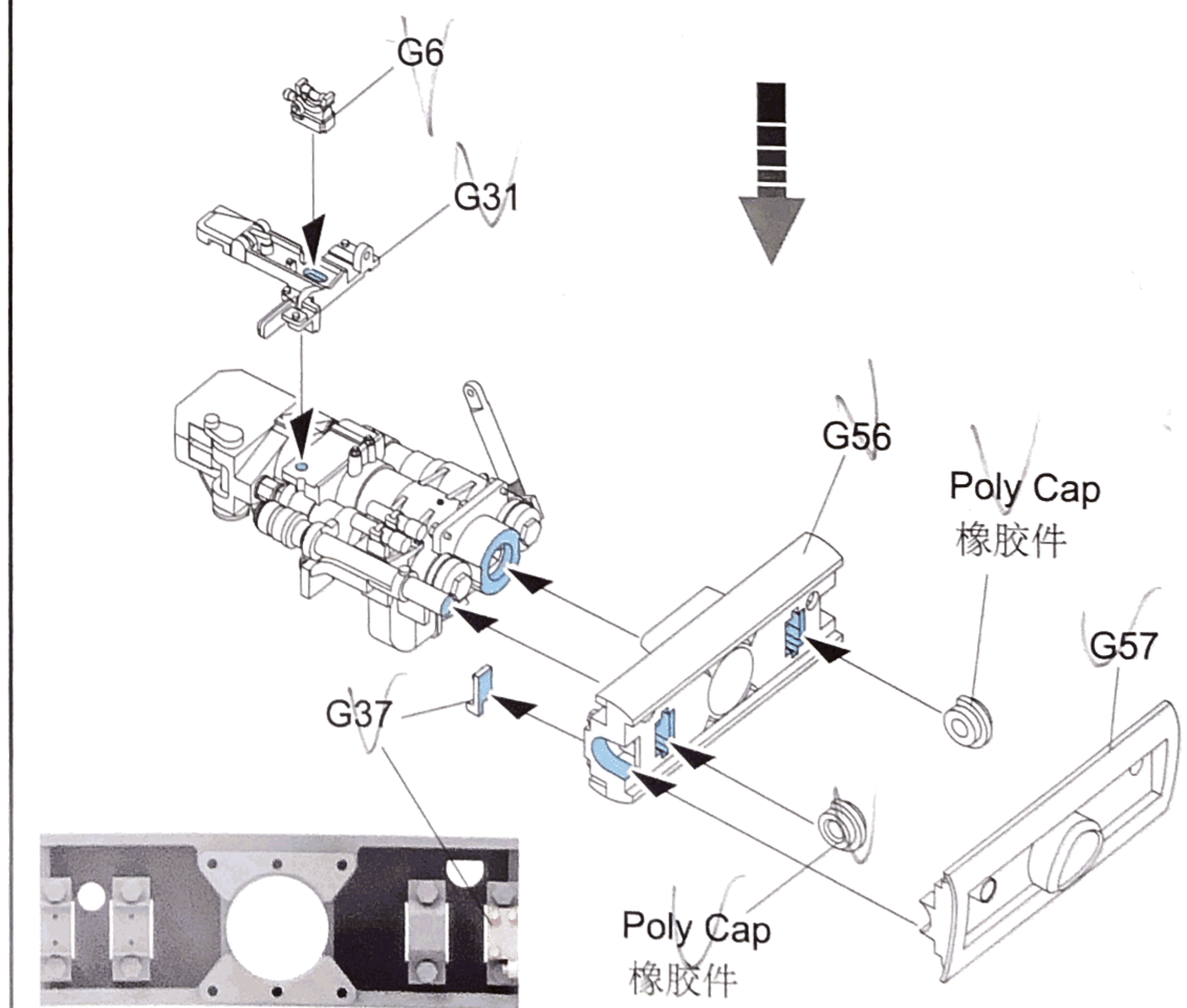
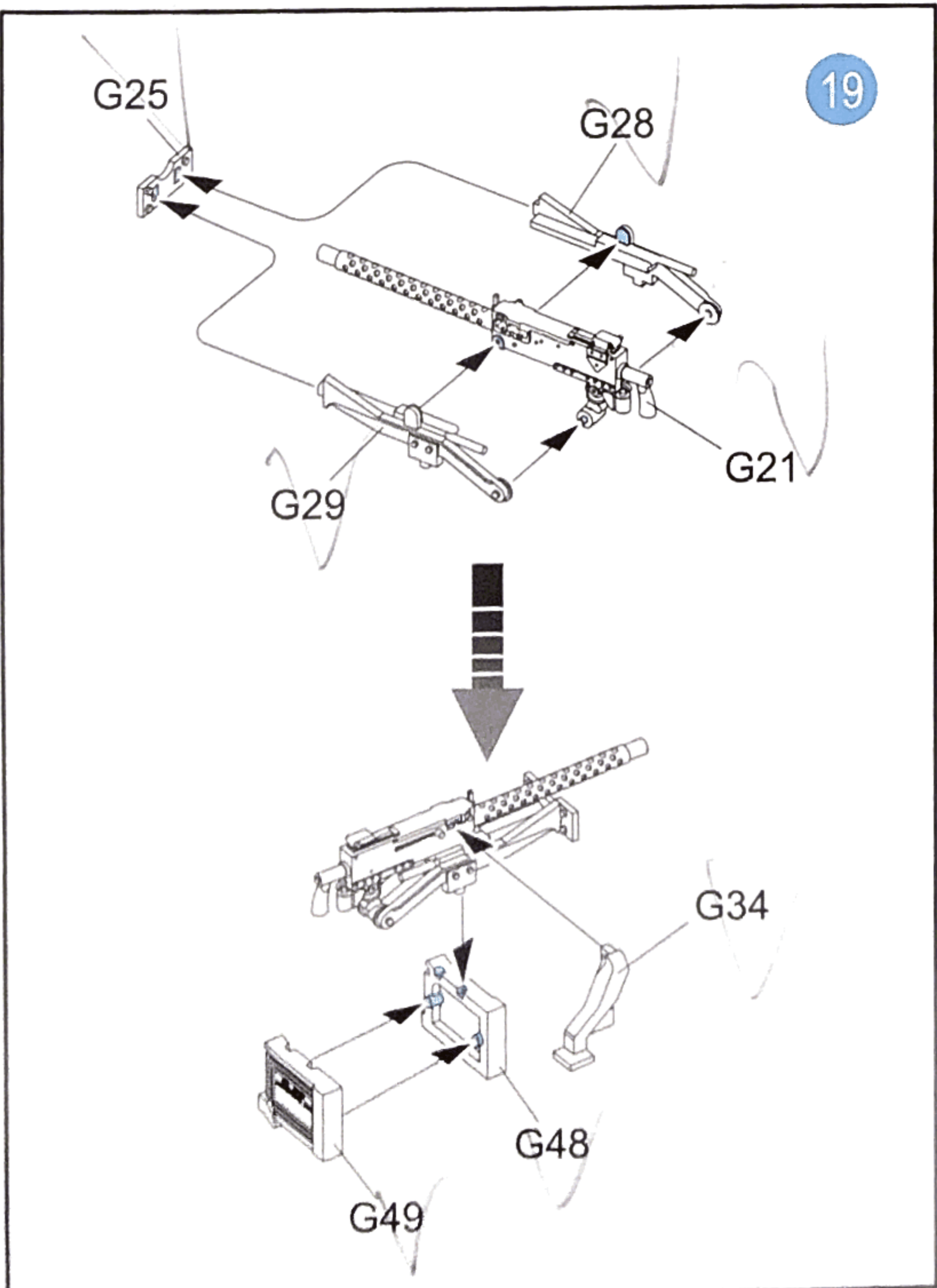
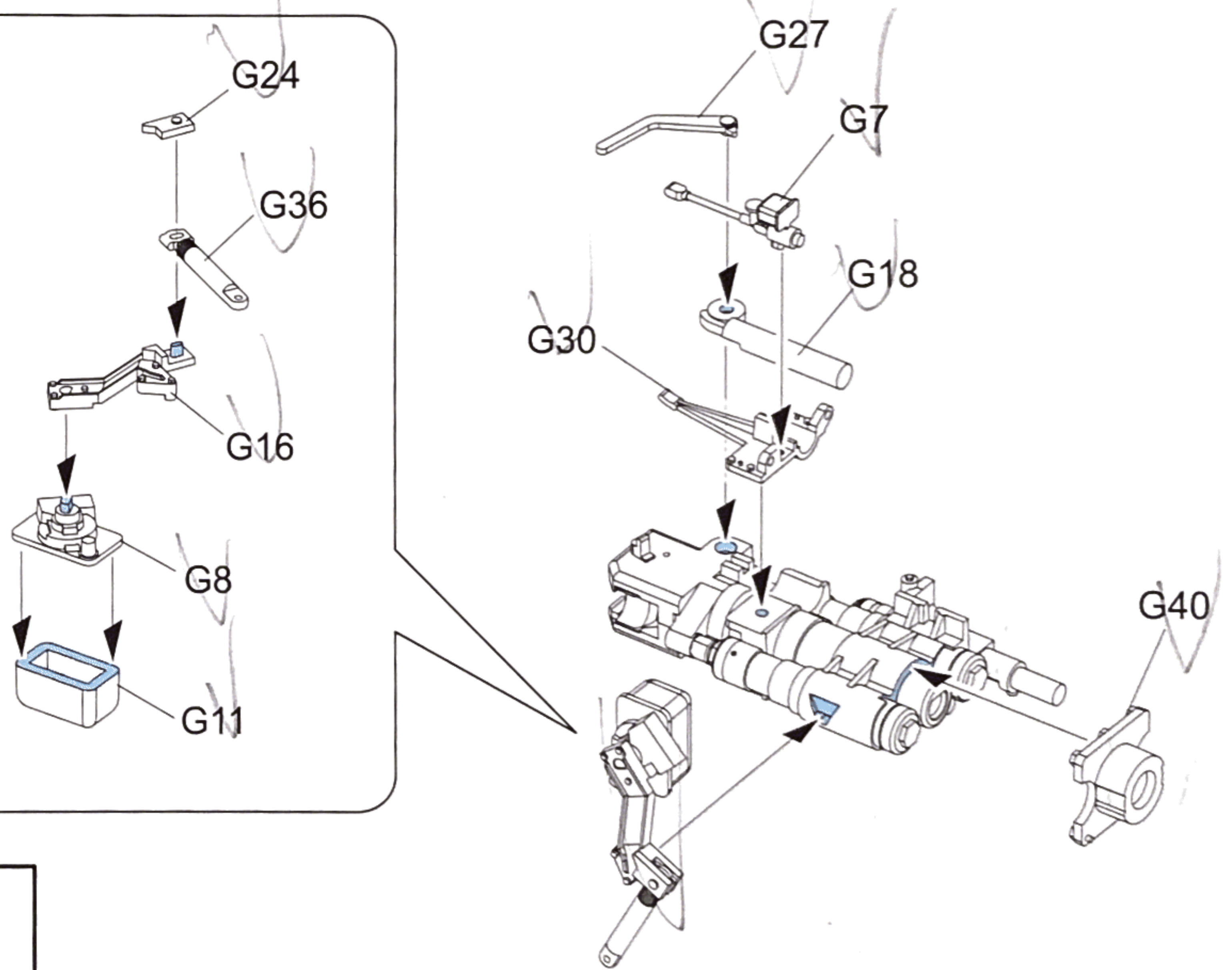
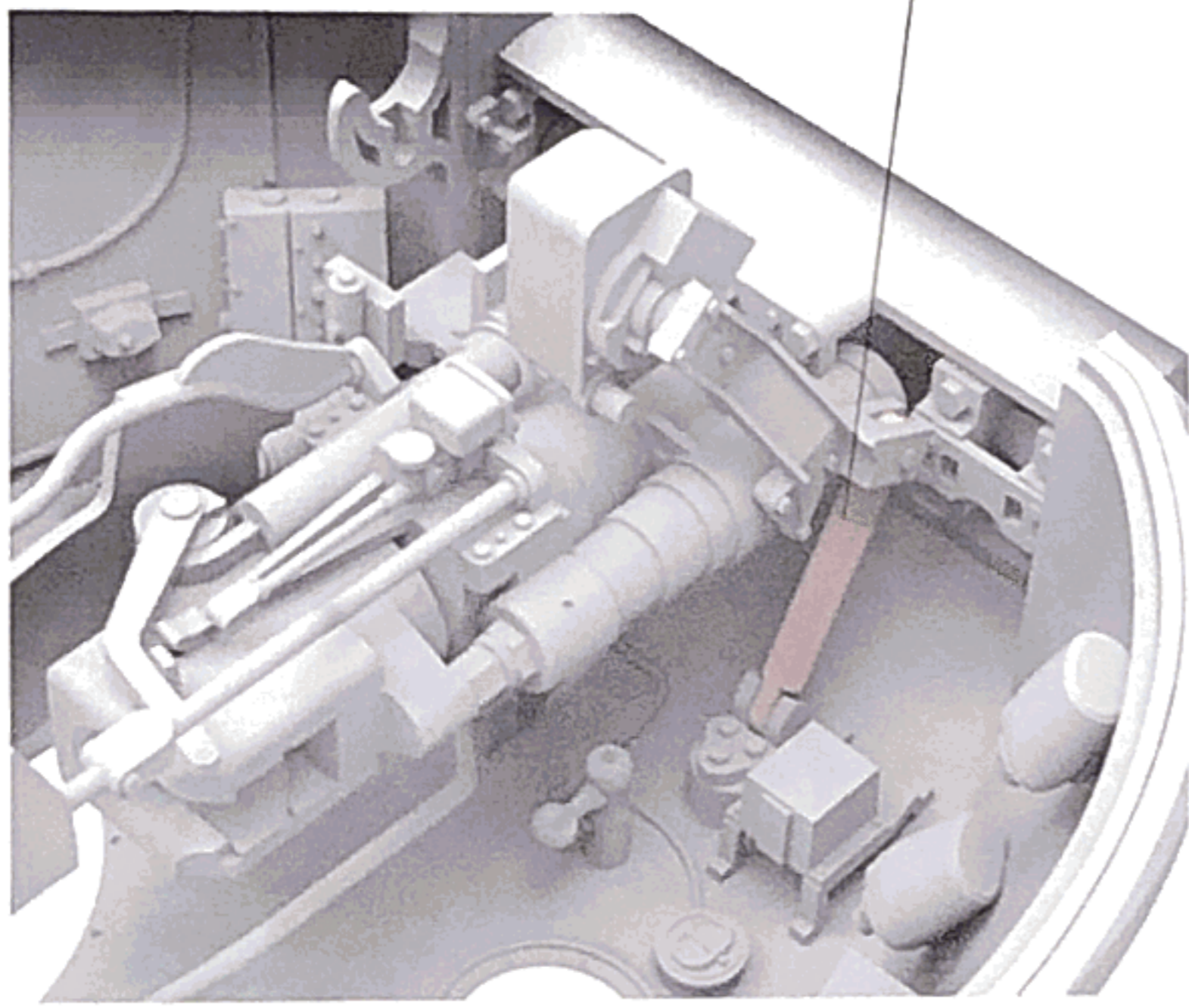
0.8MM



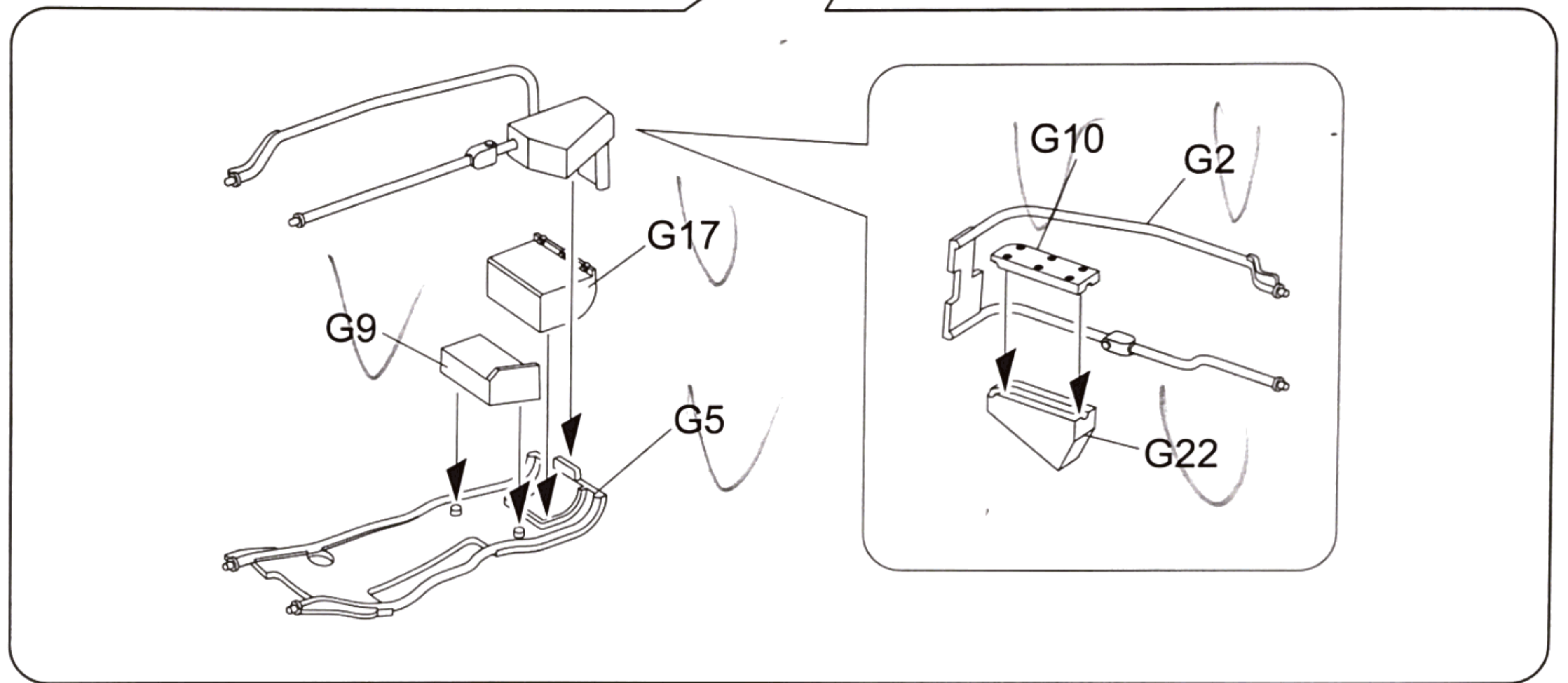
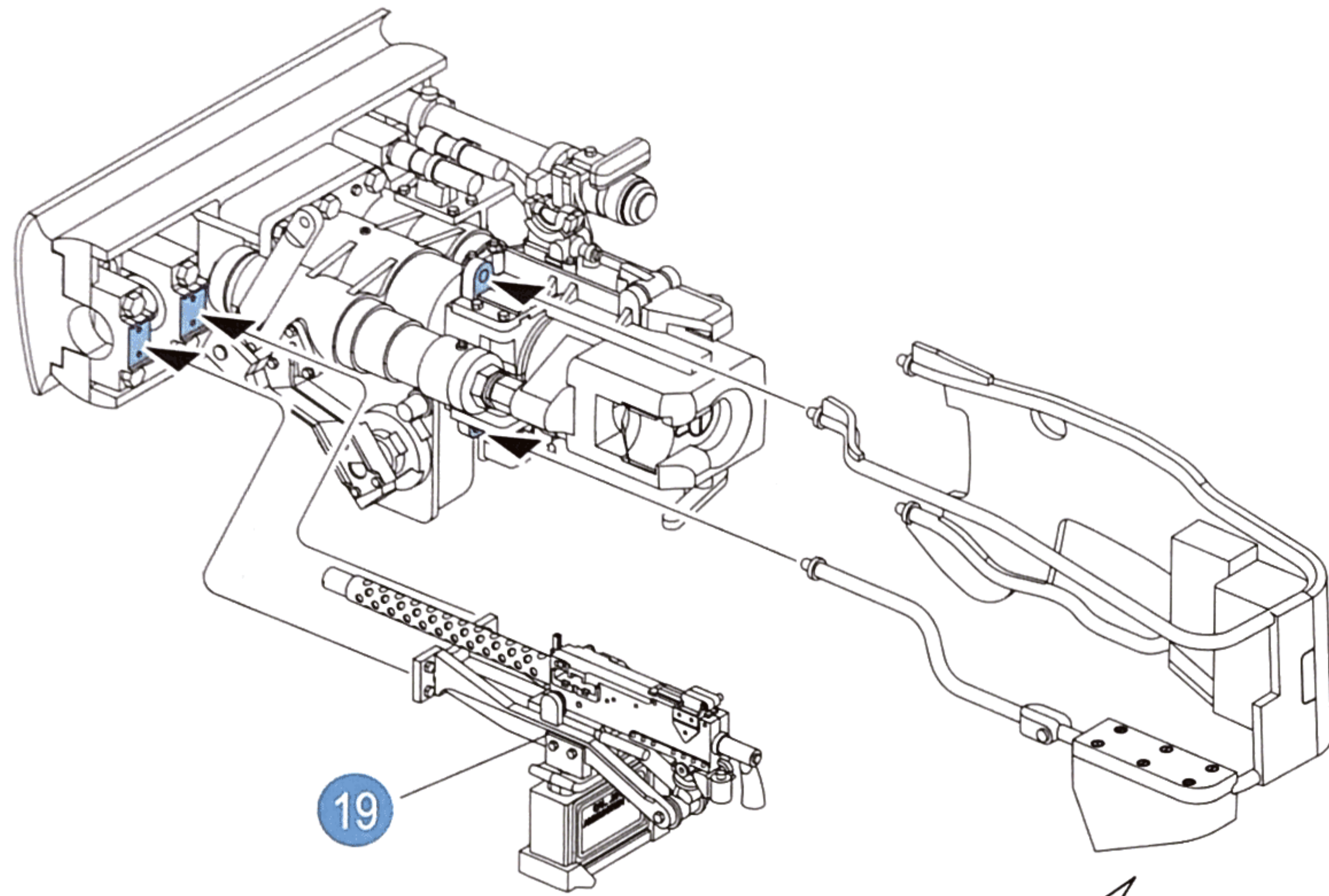


STEP 48

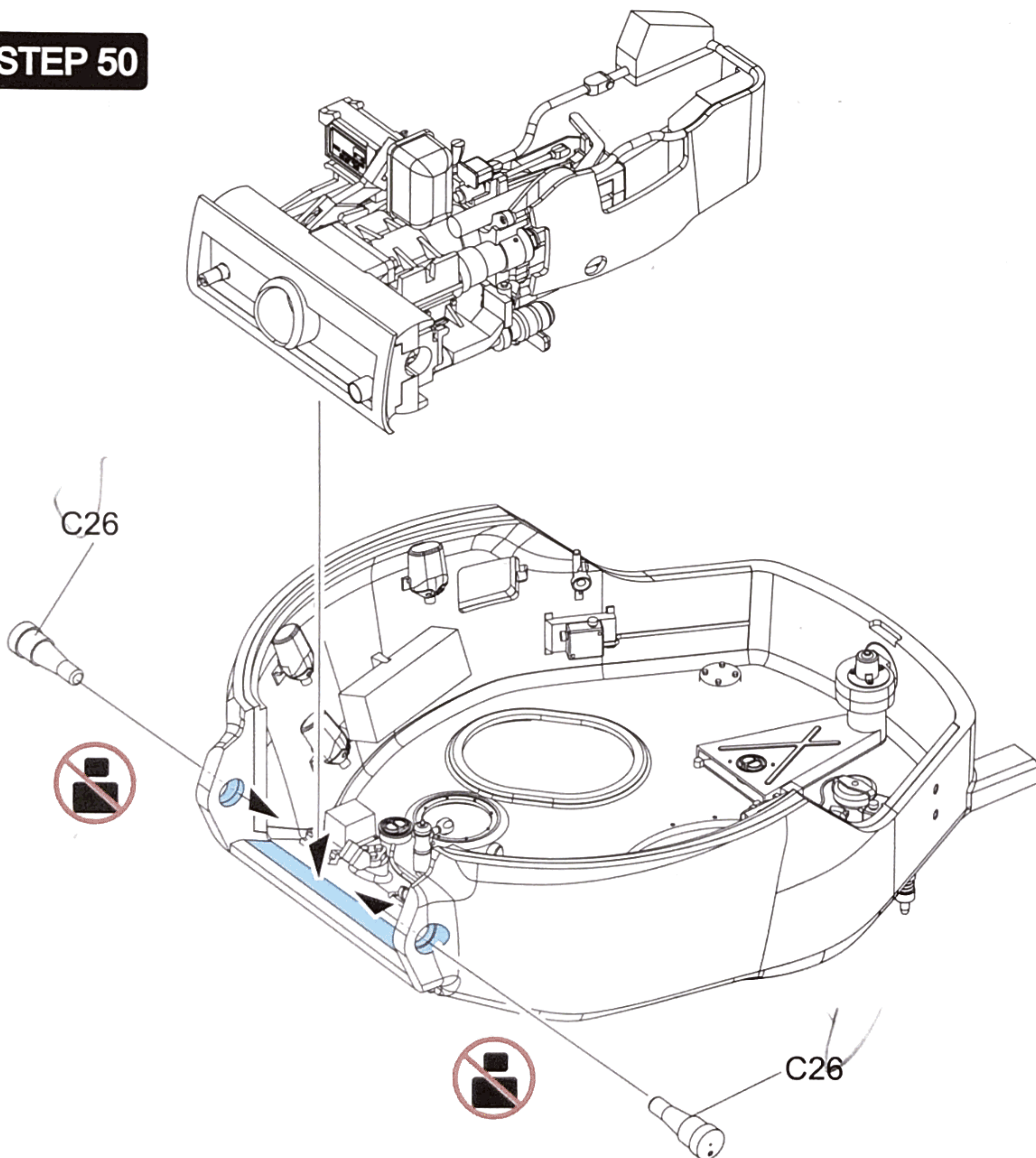
If use part C35 the artillery cannot movable
 选装G36时火炮组件不可动



STEP 49



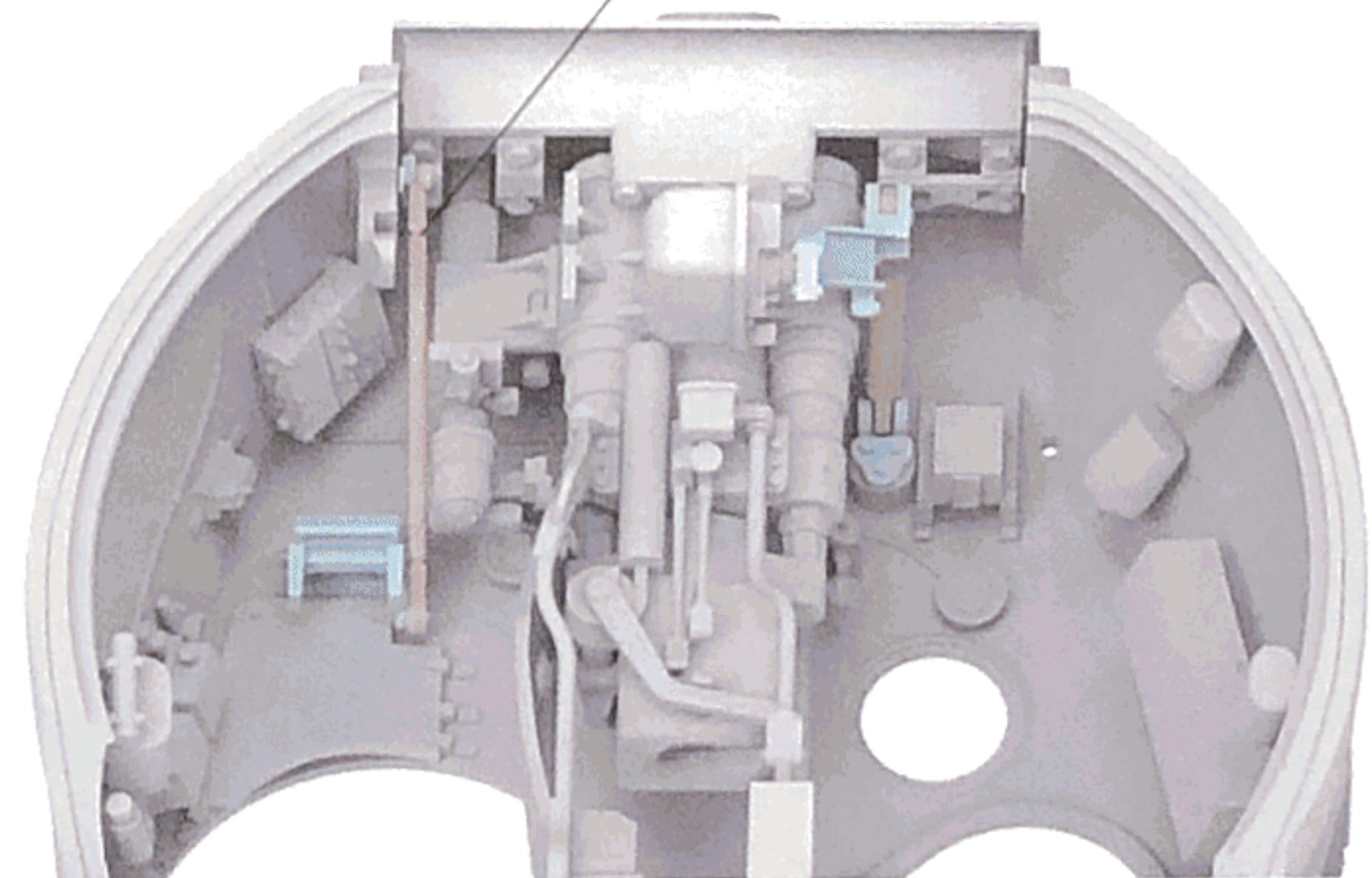
STEP 50



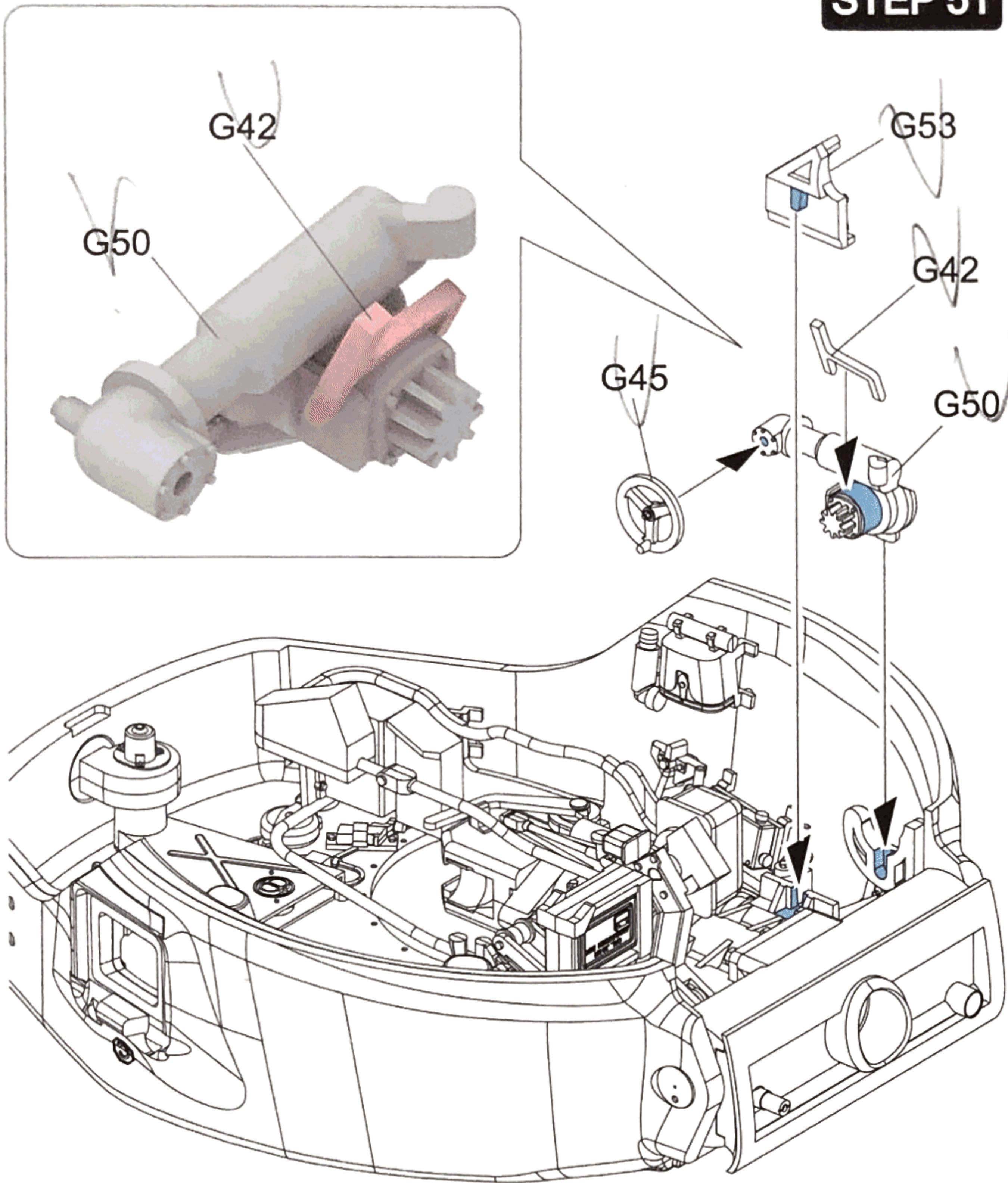
If use part C35 the artillrey cannot movable
 选装K68时火炮组件不可动



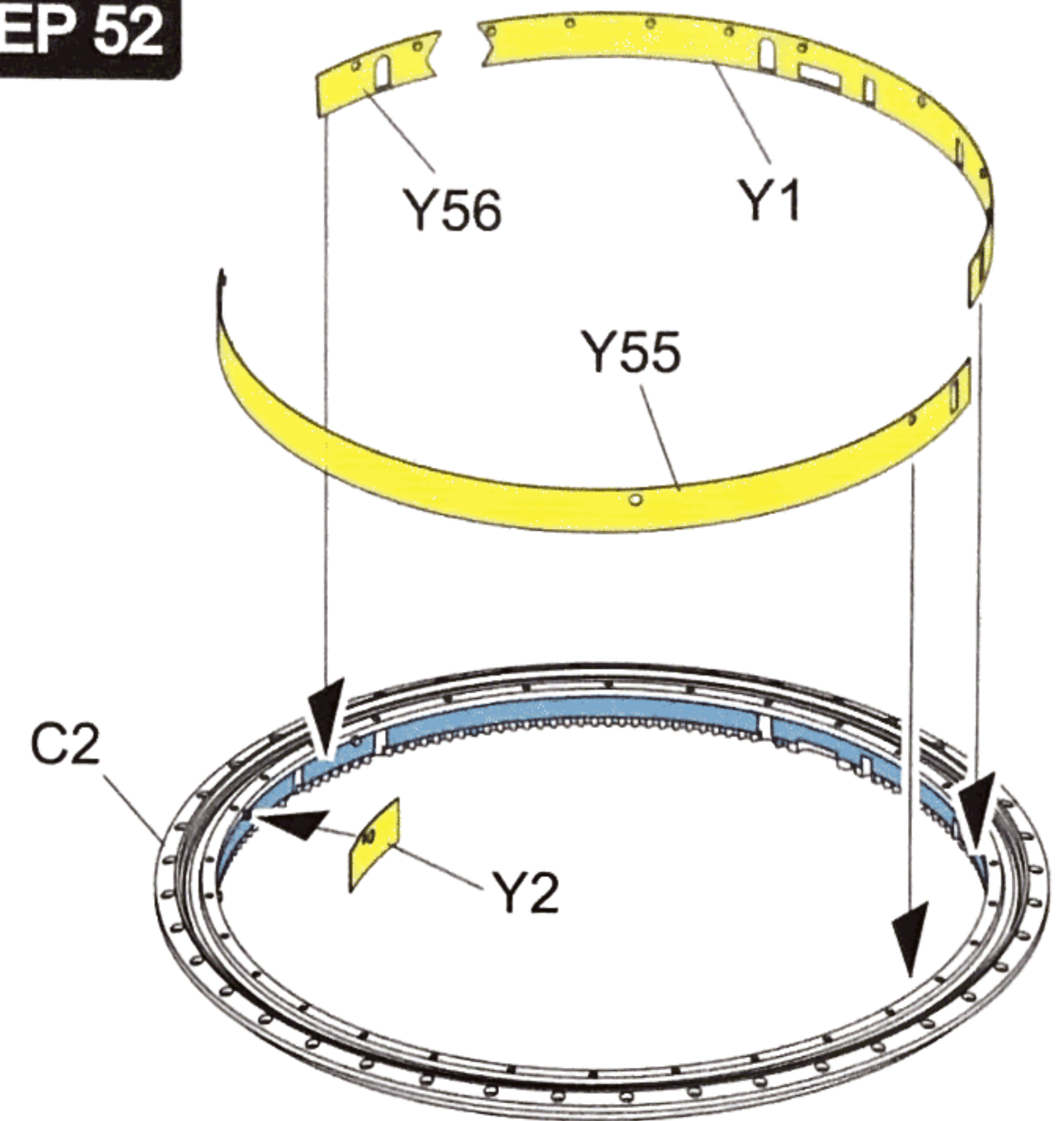
K68



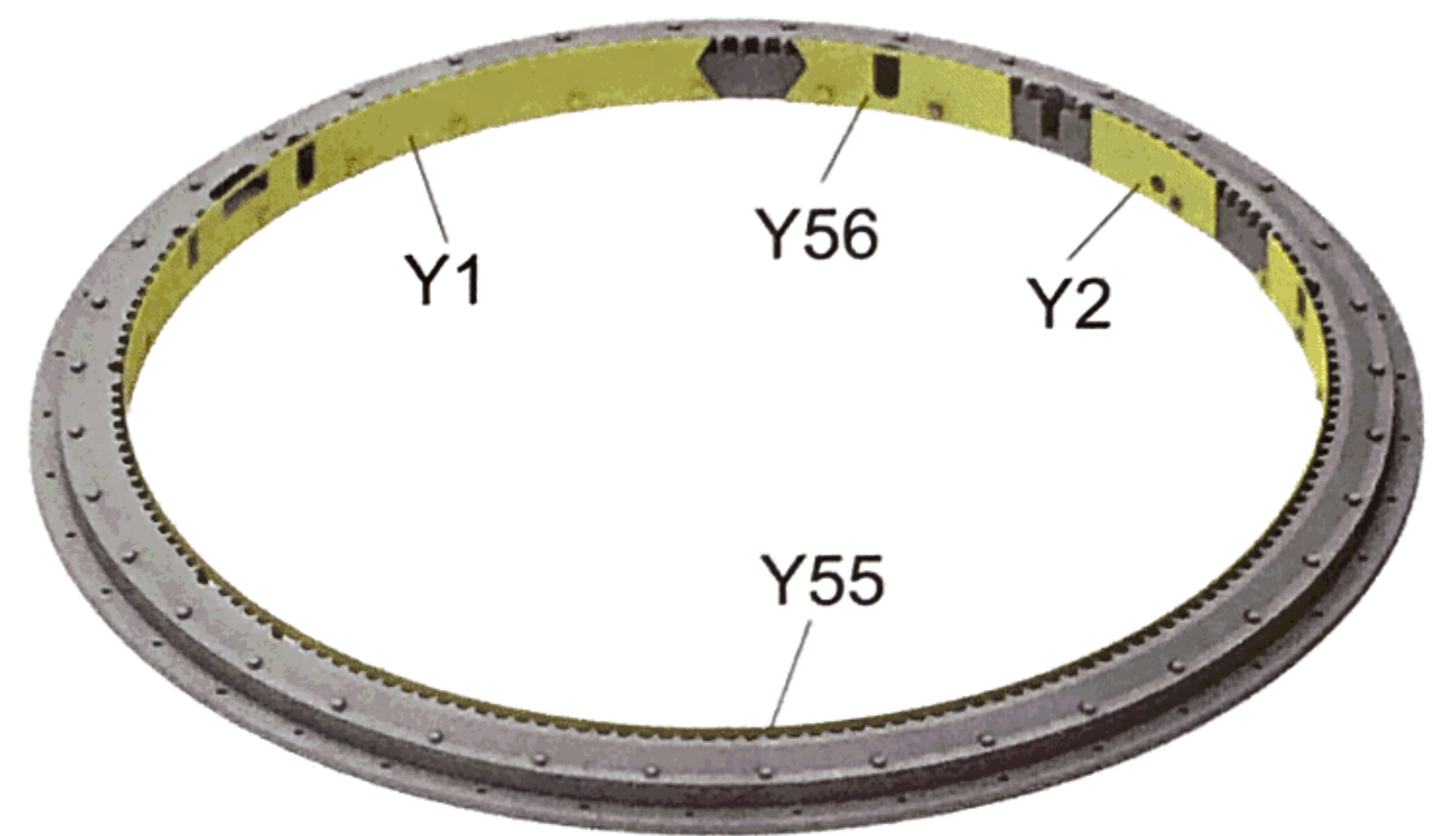
STEP 51



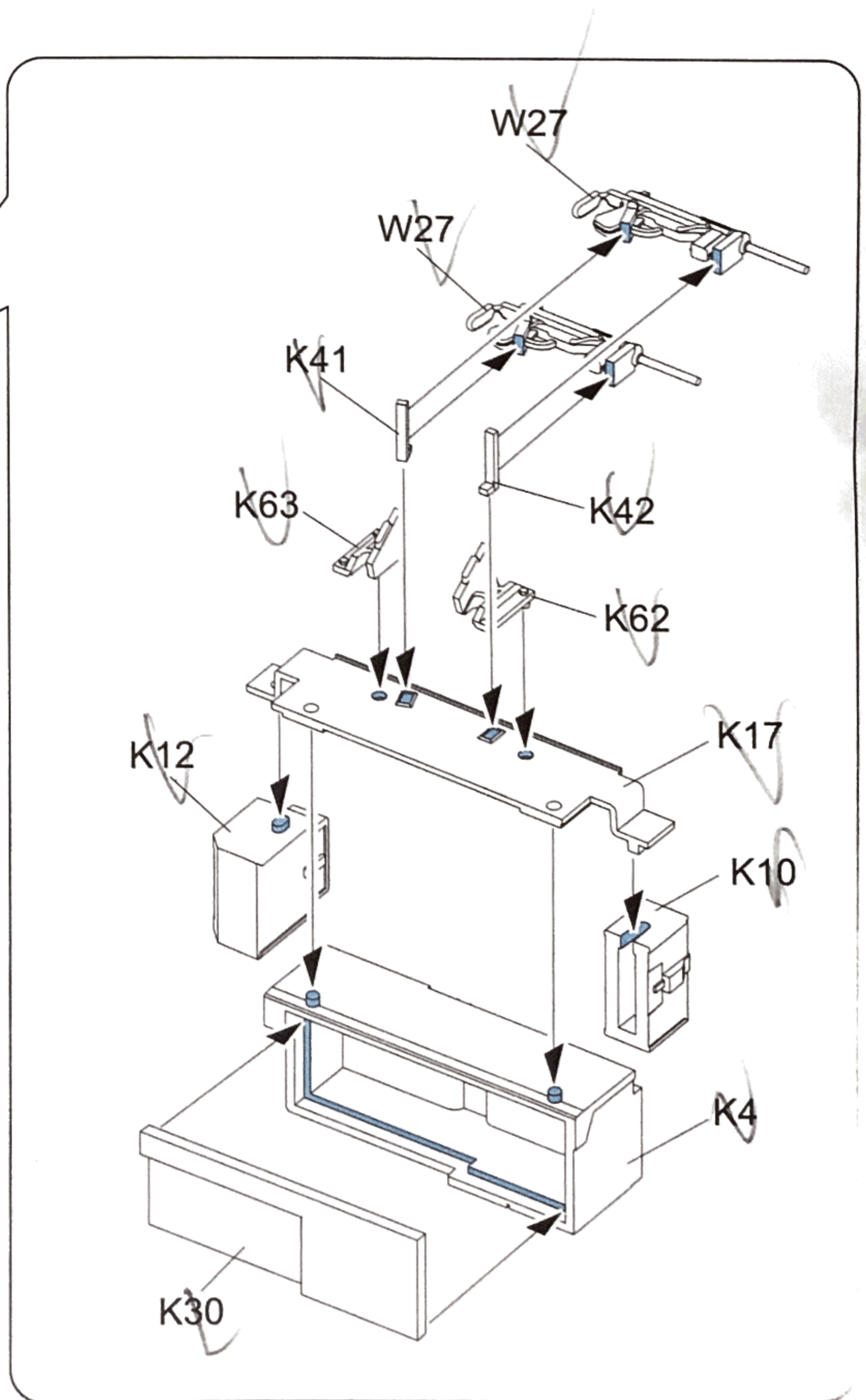
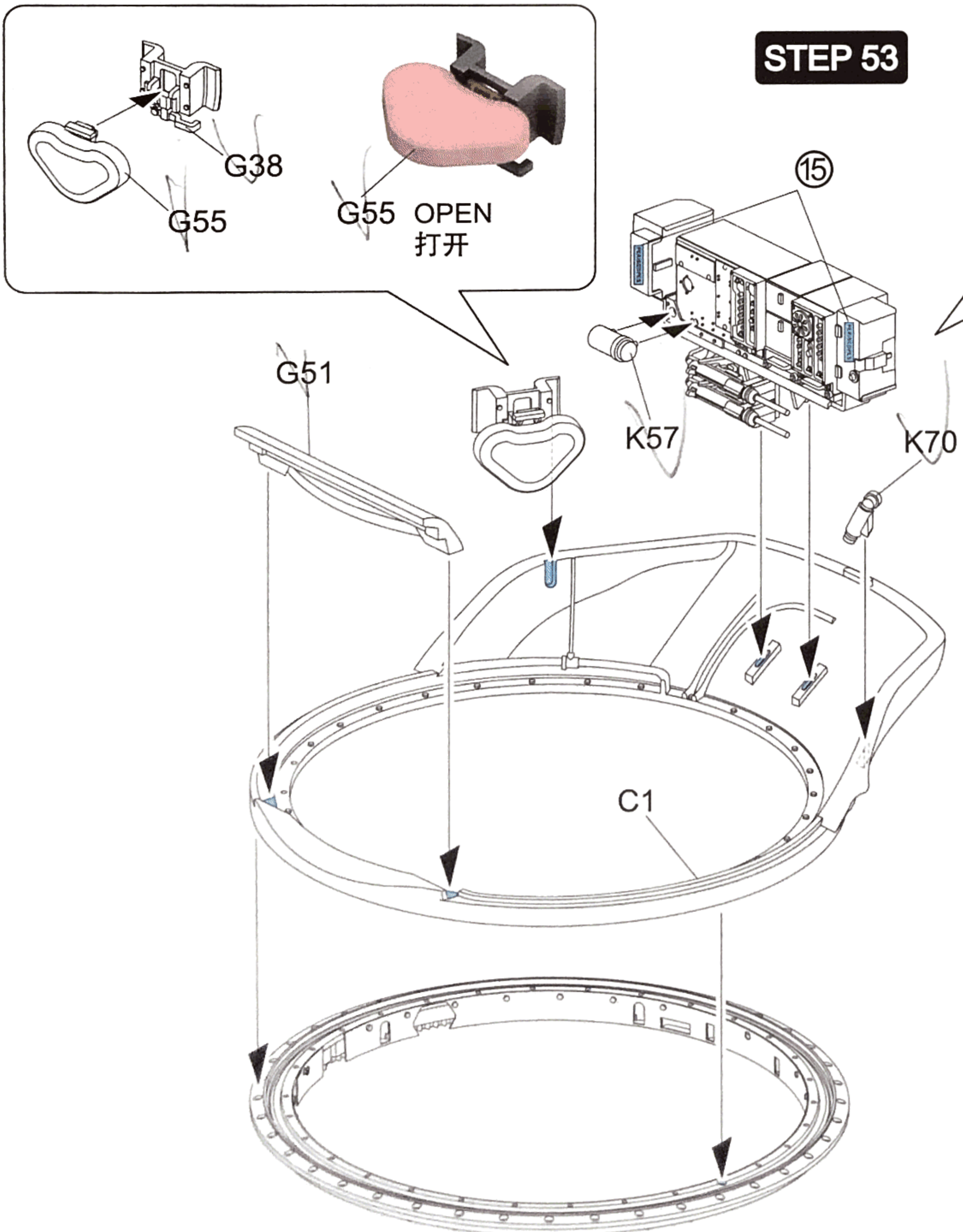
STEP 52



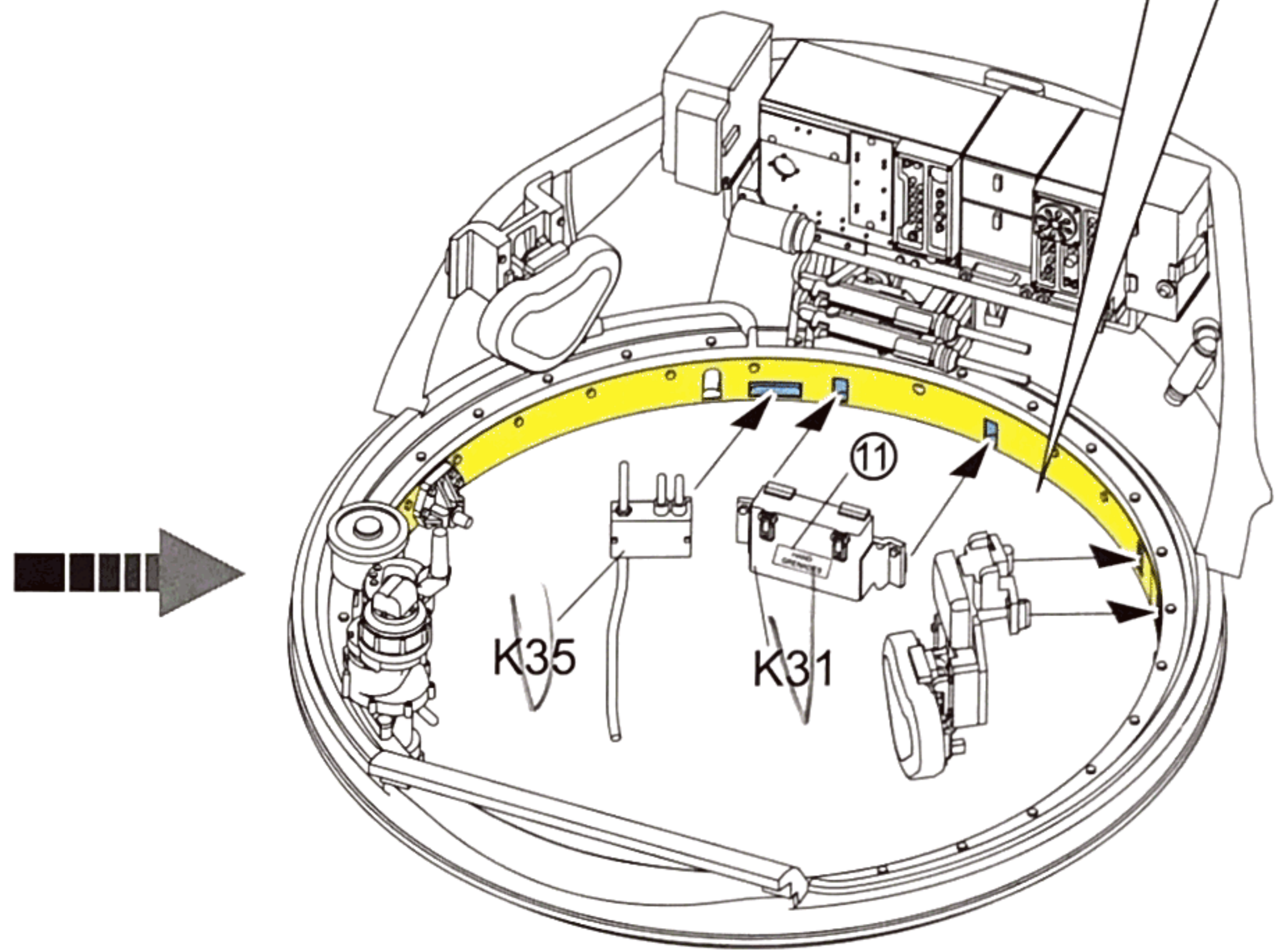
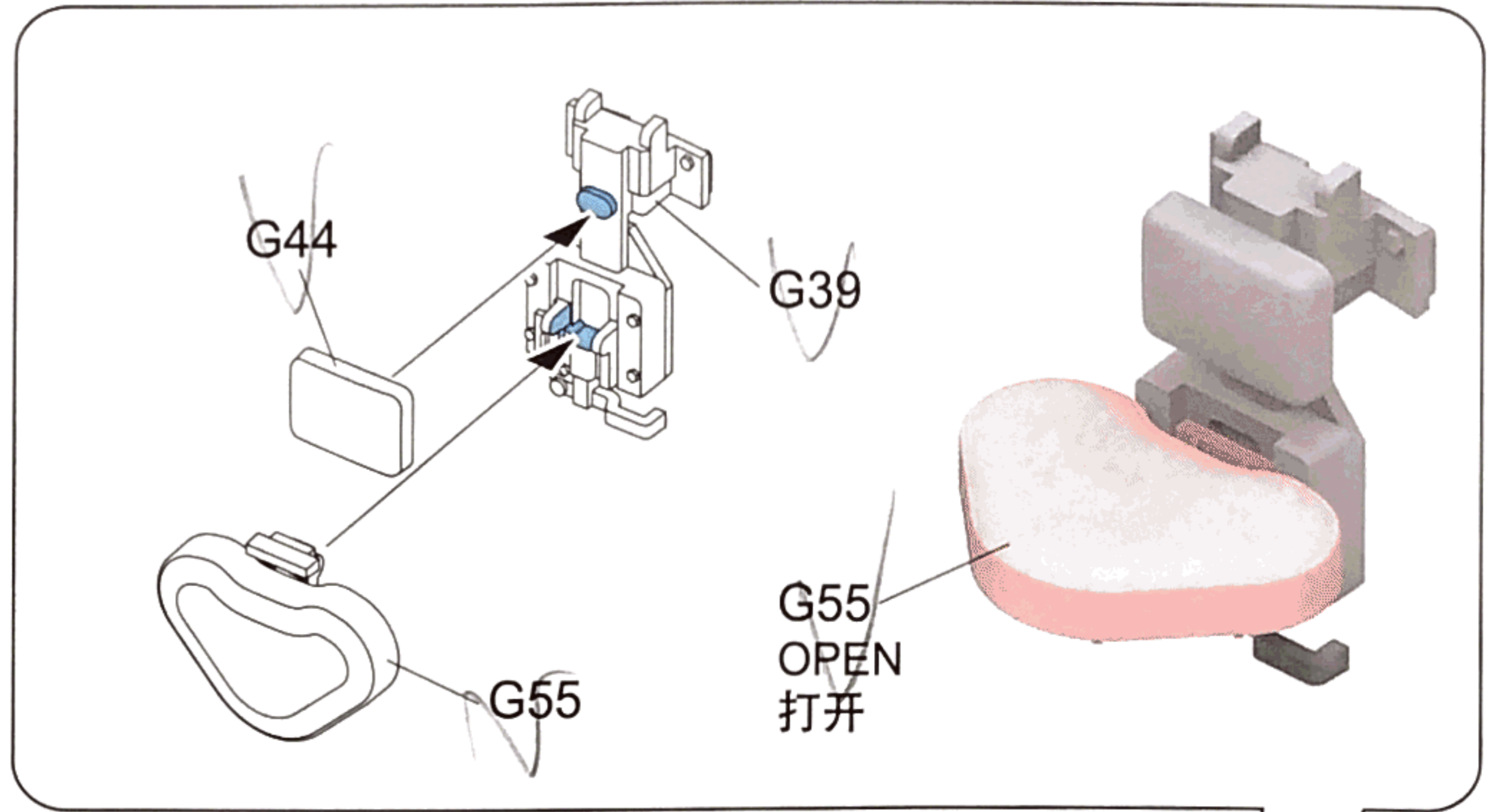
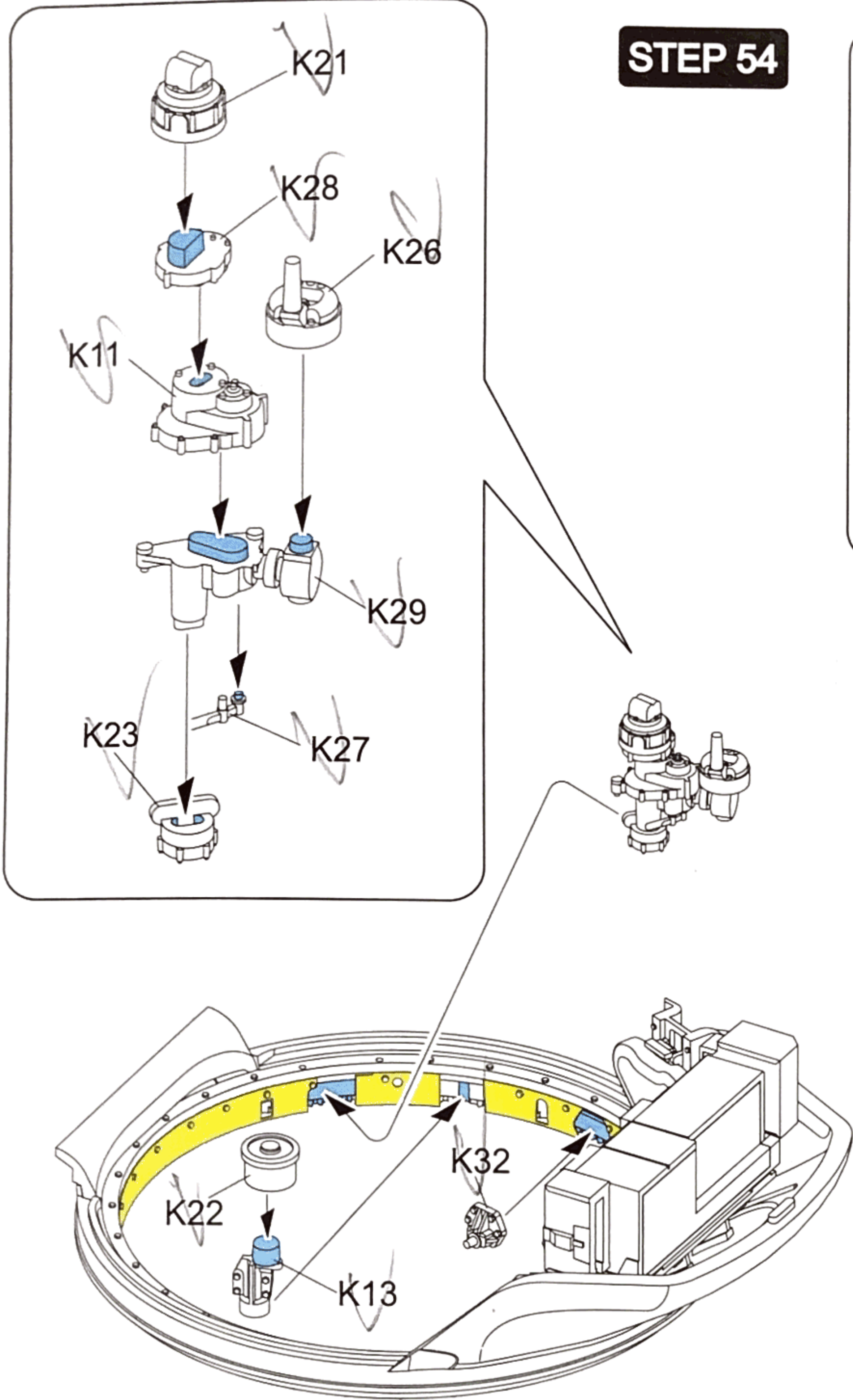
Bottom view
底部视图



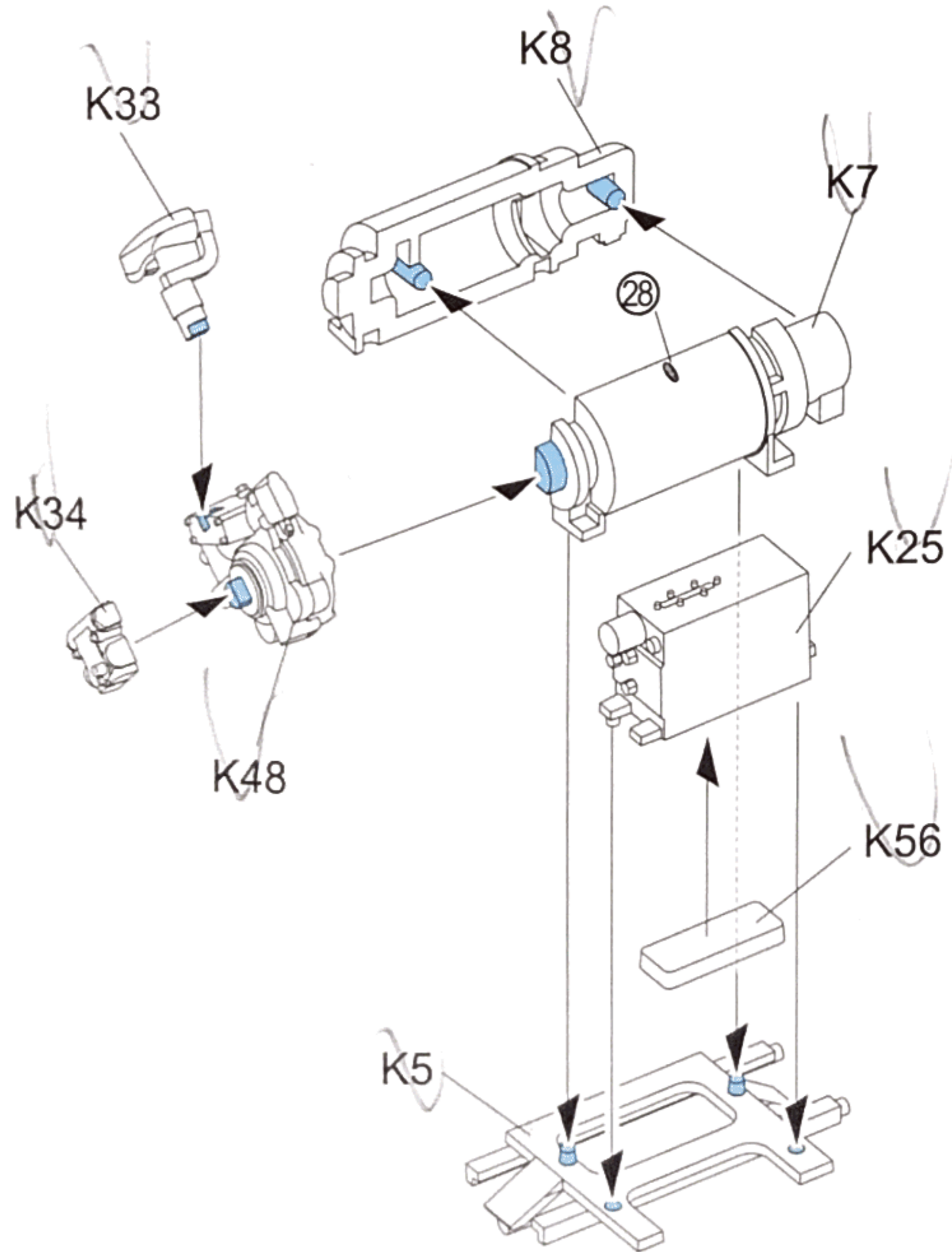
STEP 53



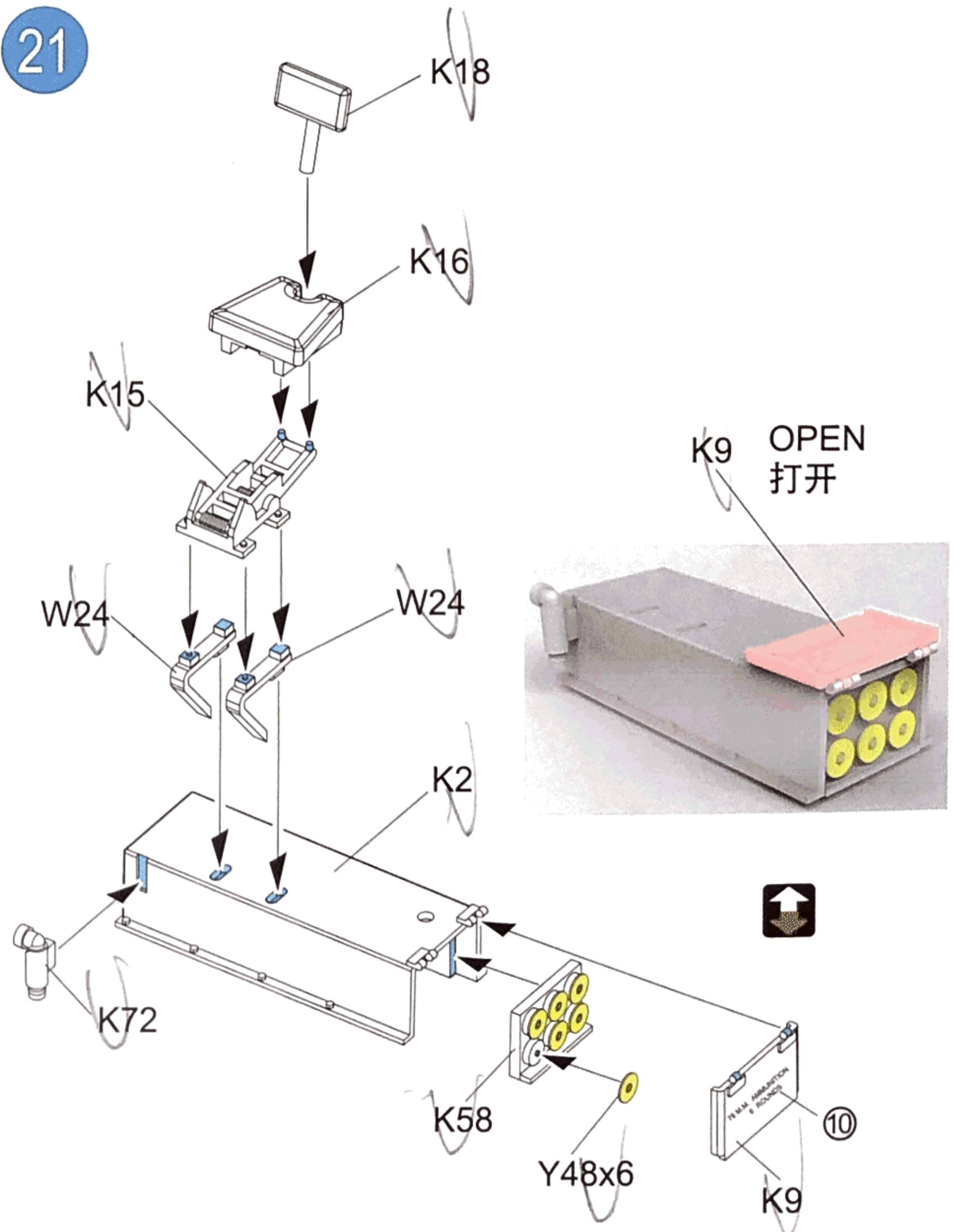
STEP 54

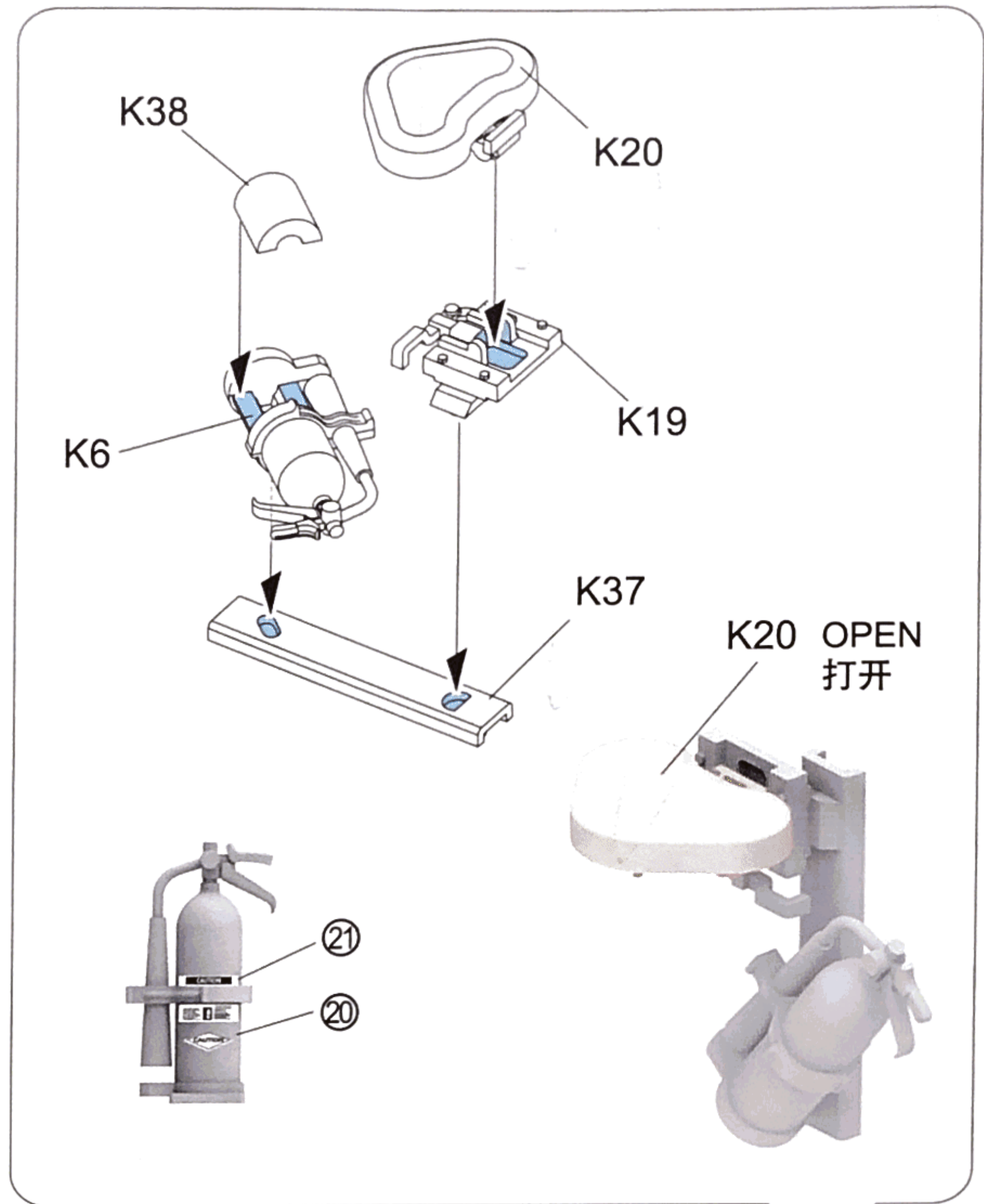
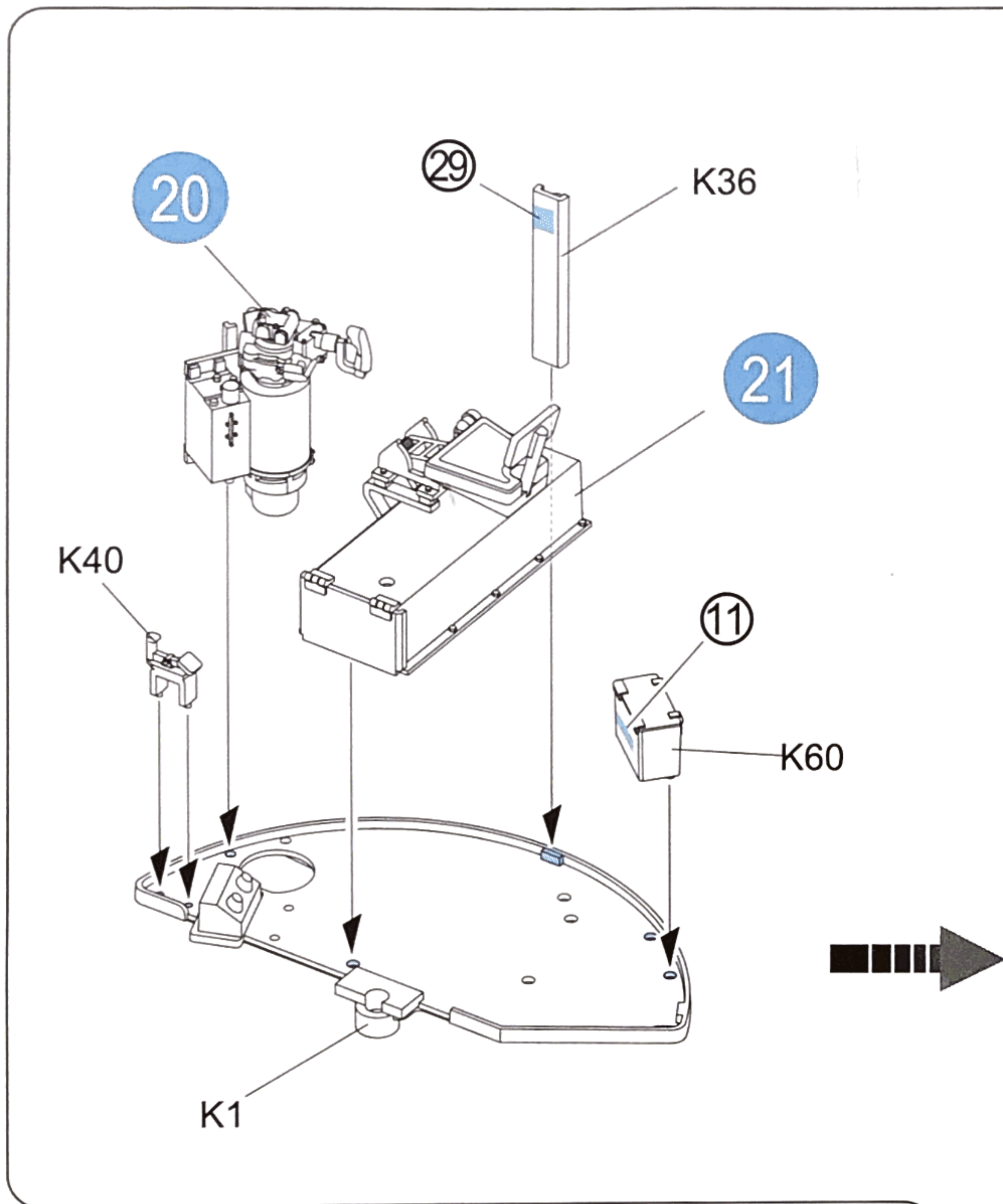


20

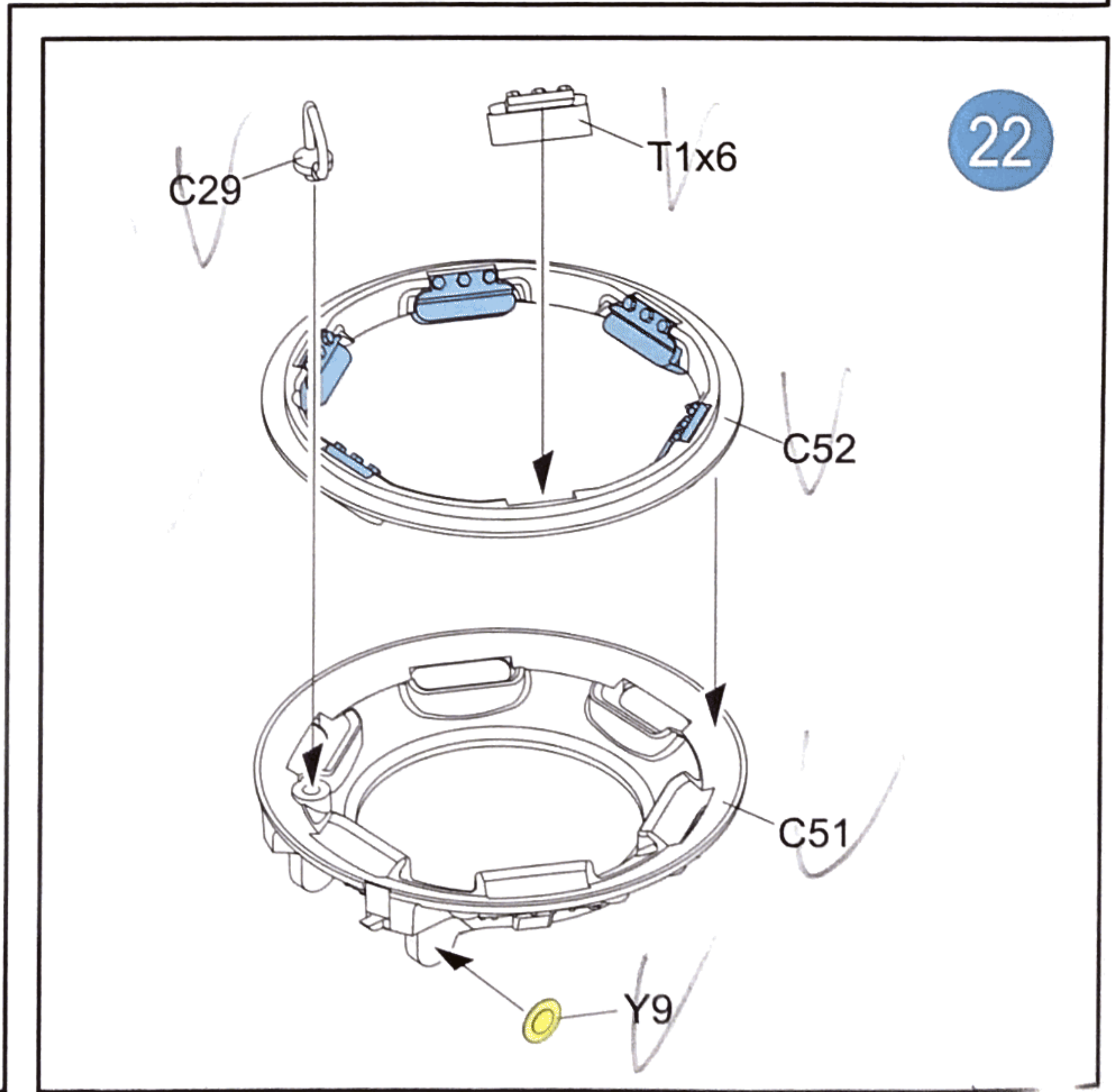
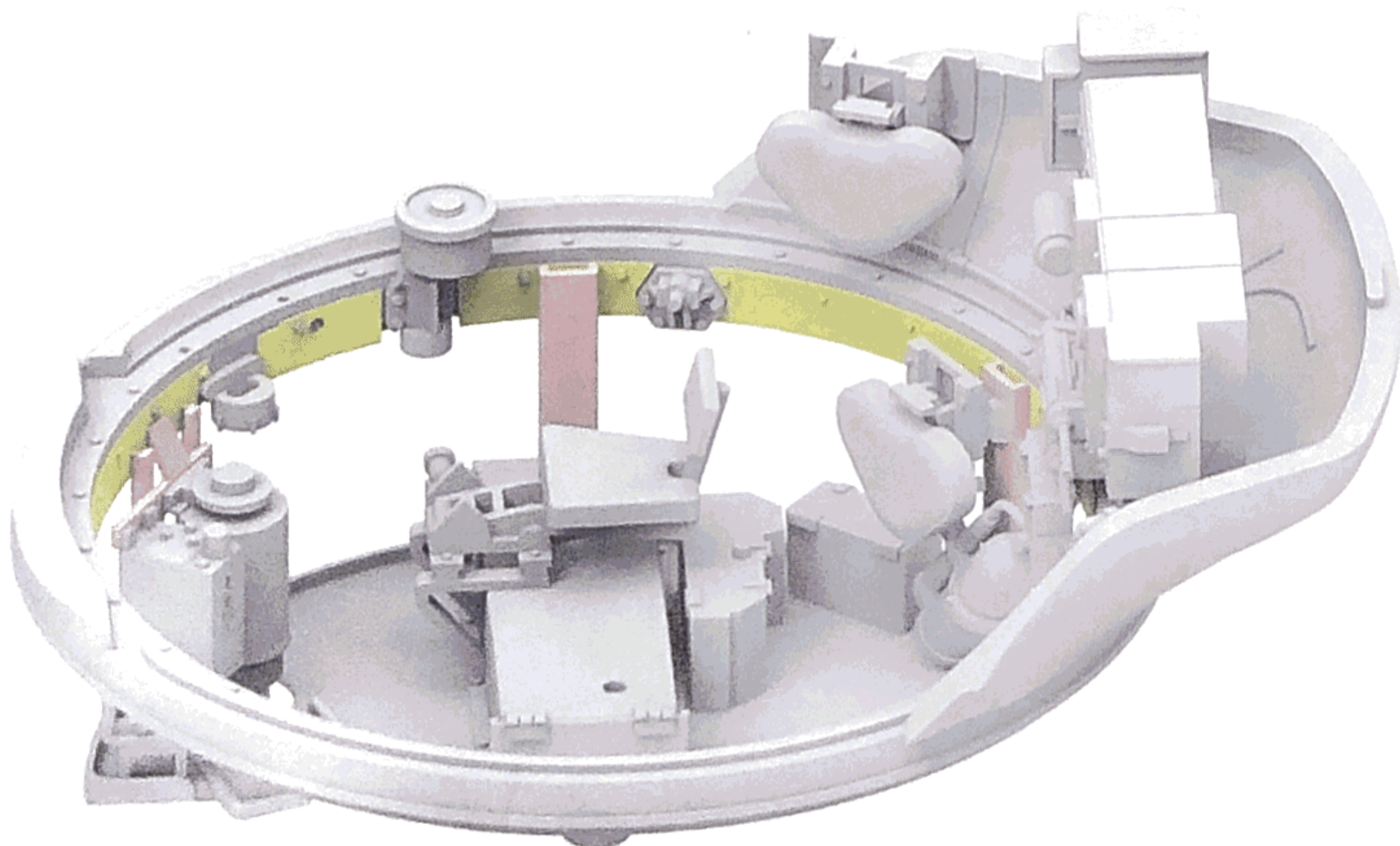
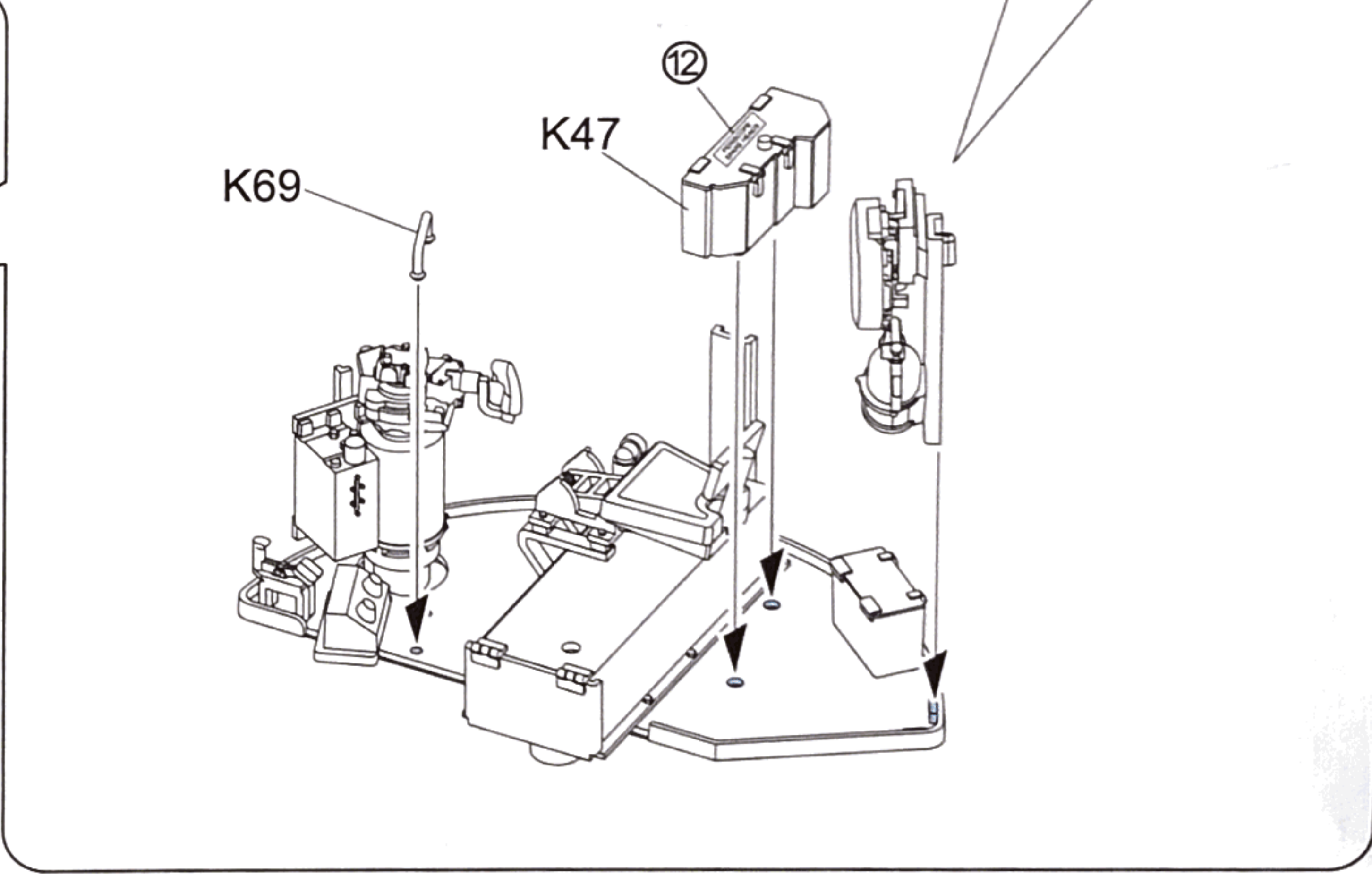
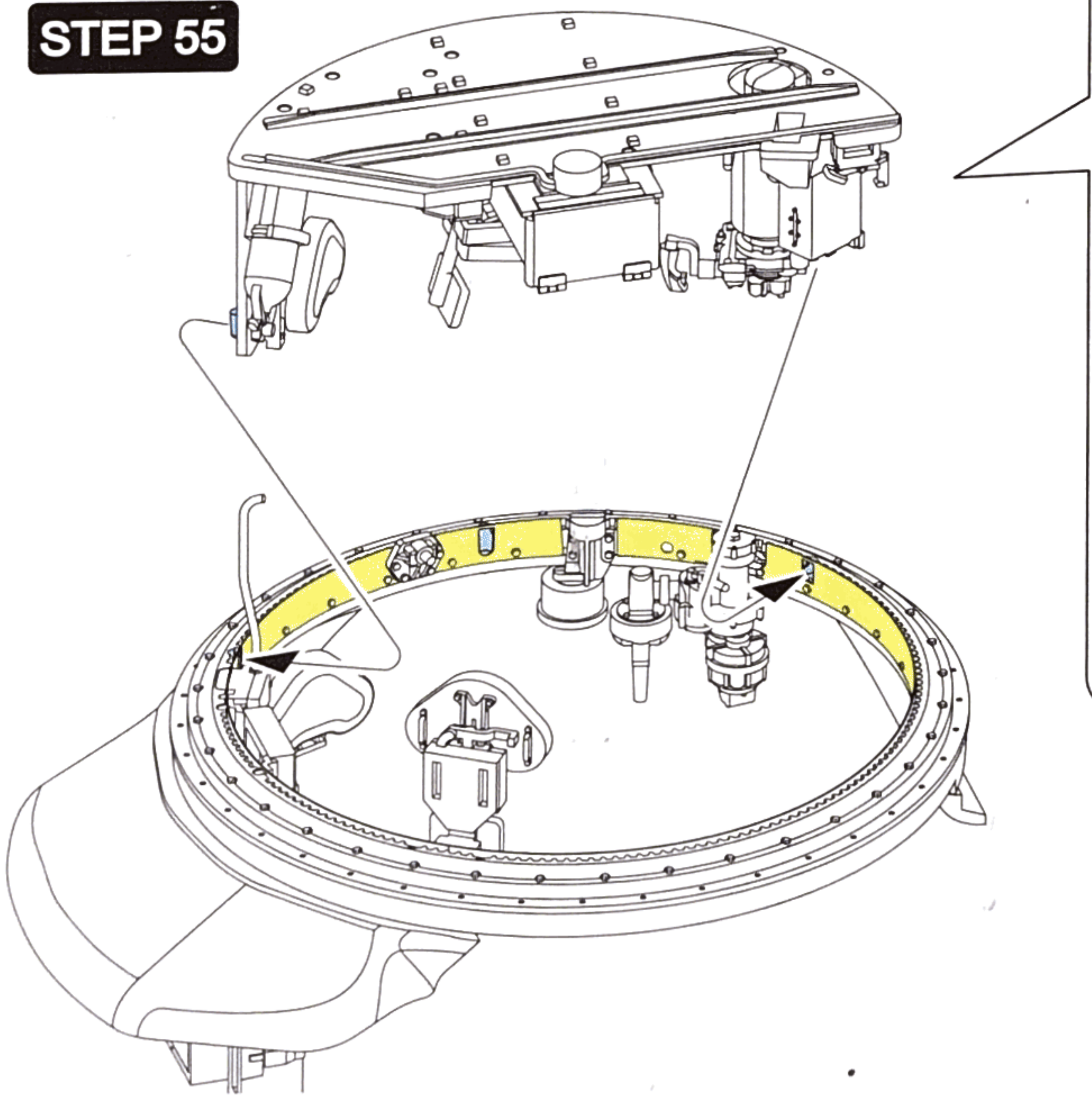


21

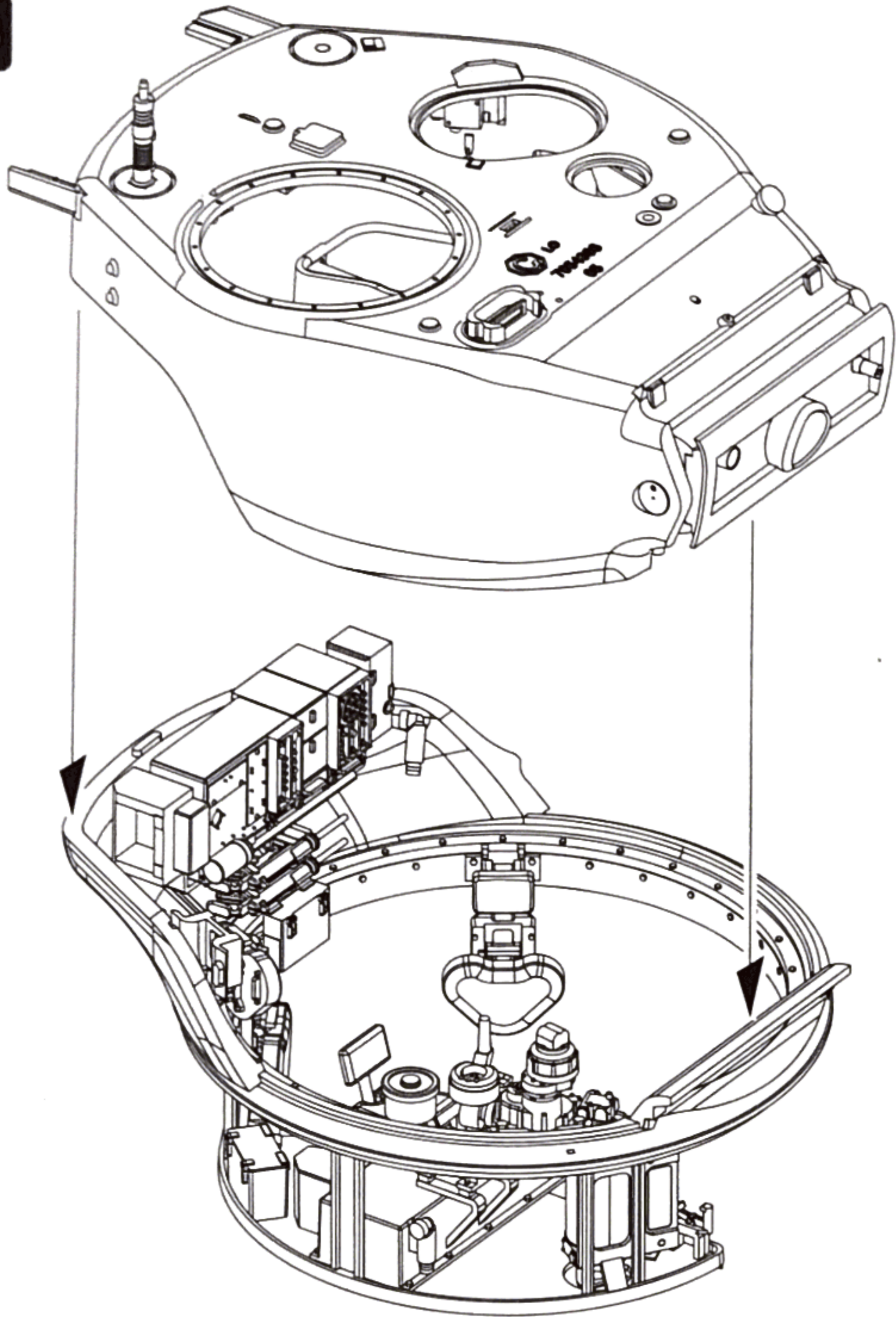




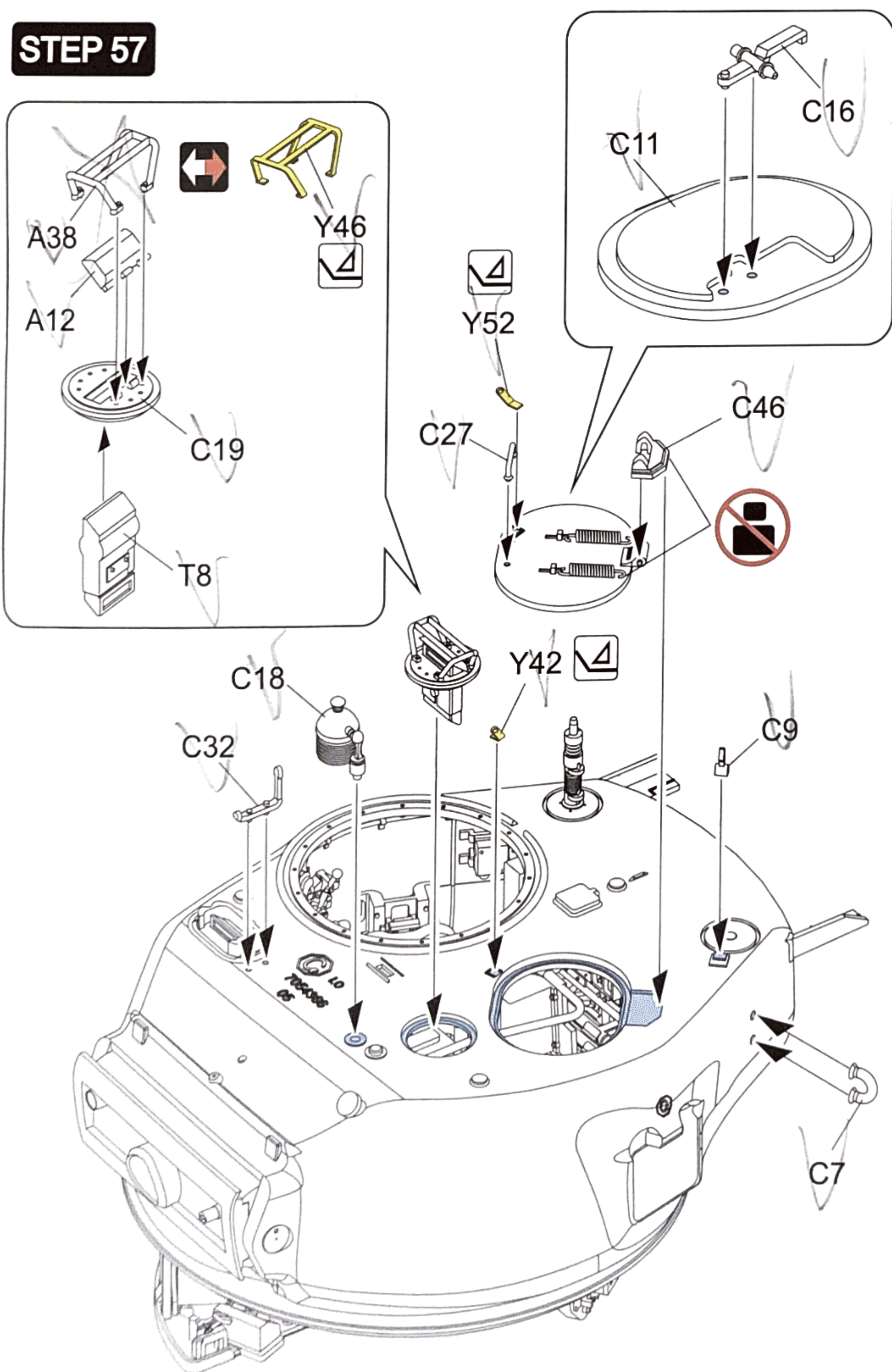
STEP 55



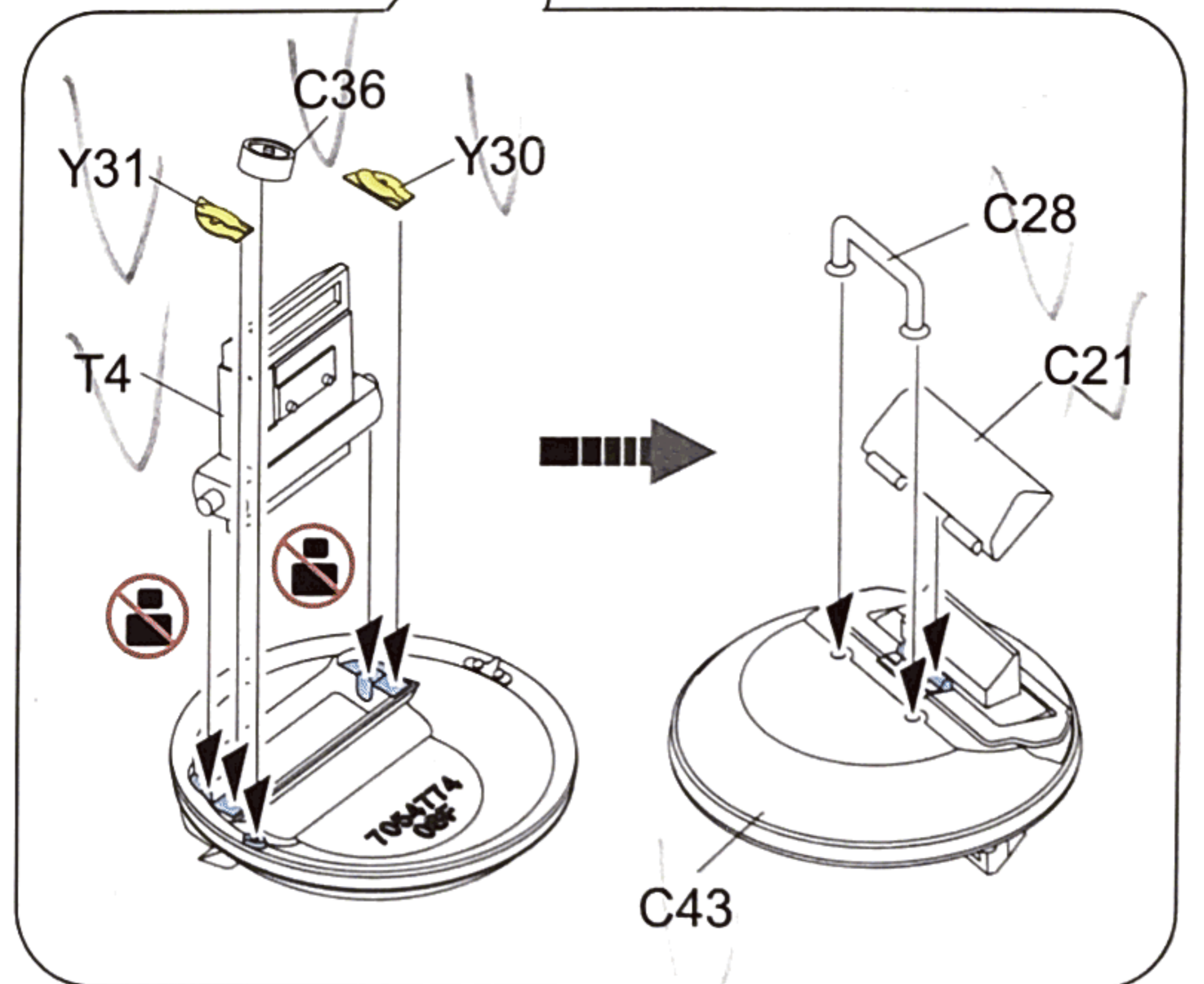
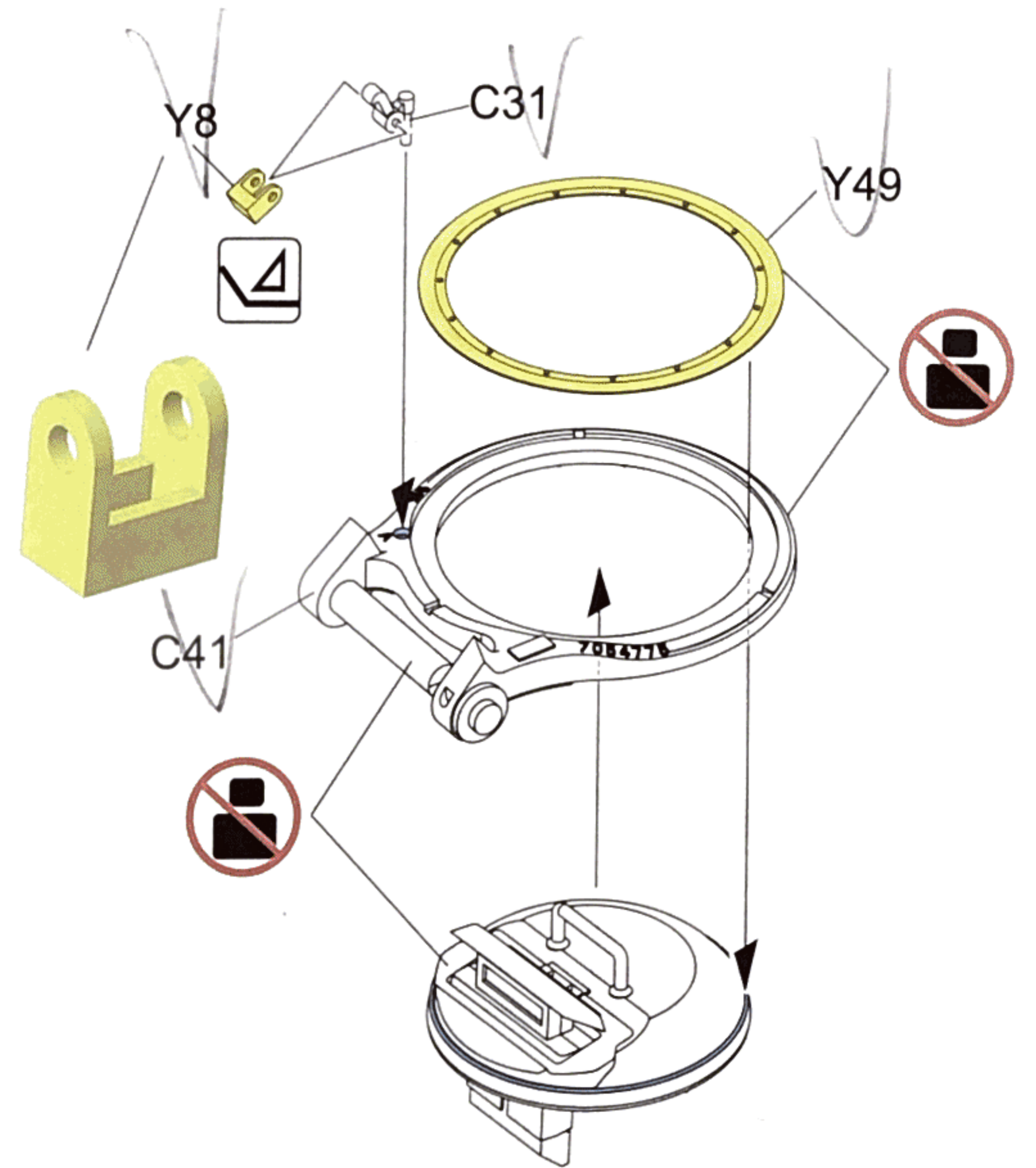
STEP 56



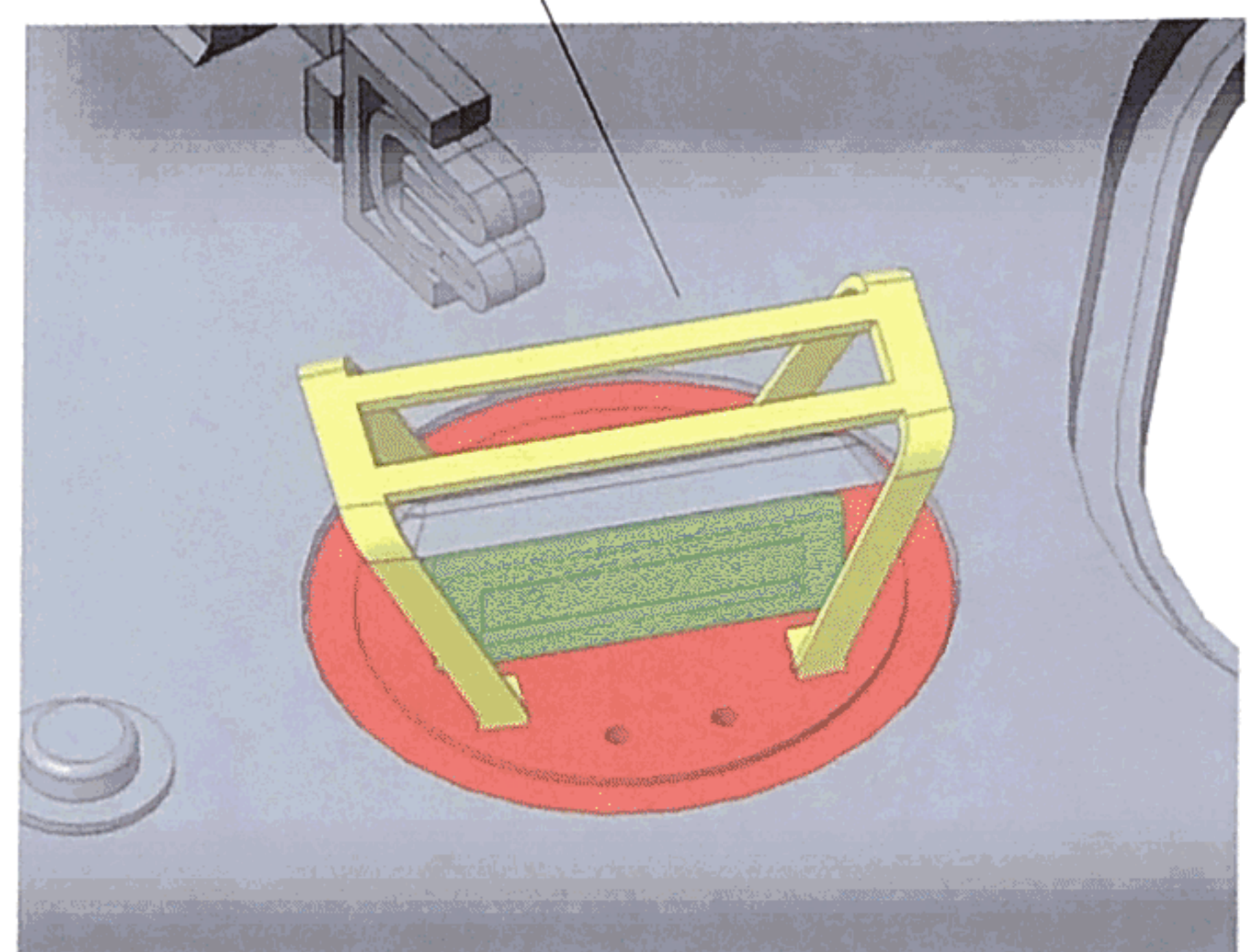
STEP 57

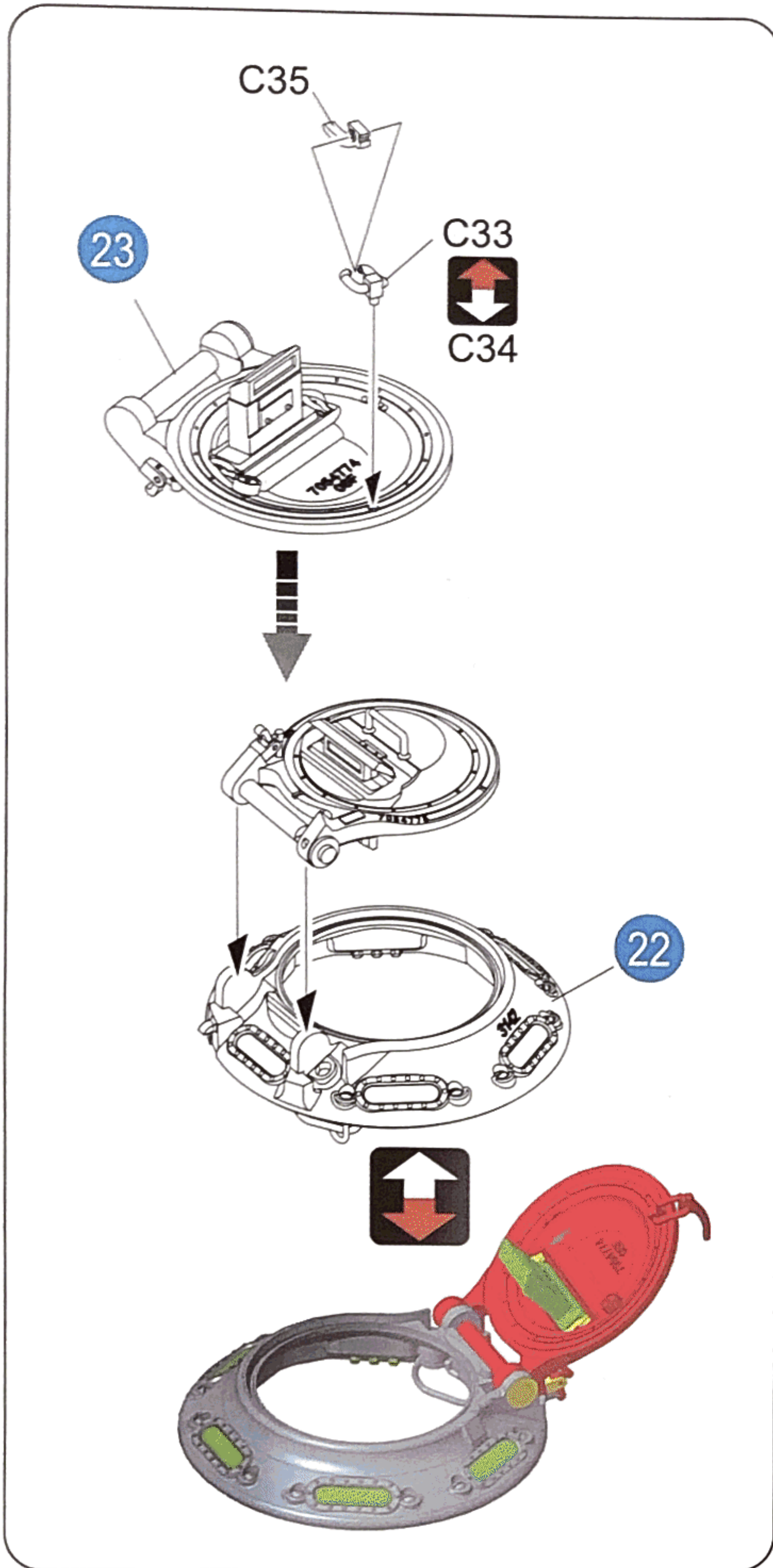


23

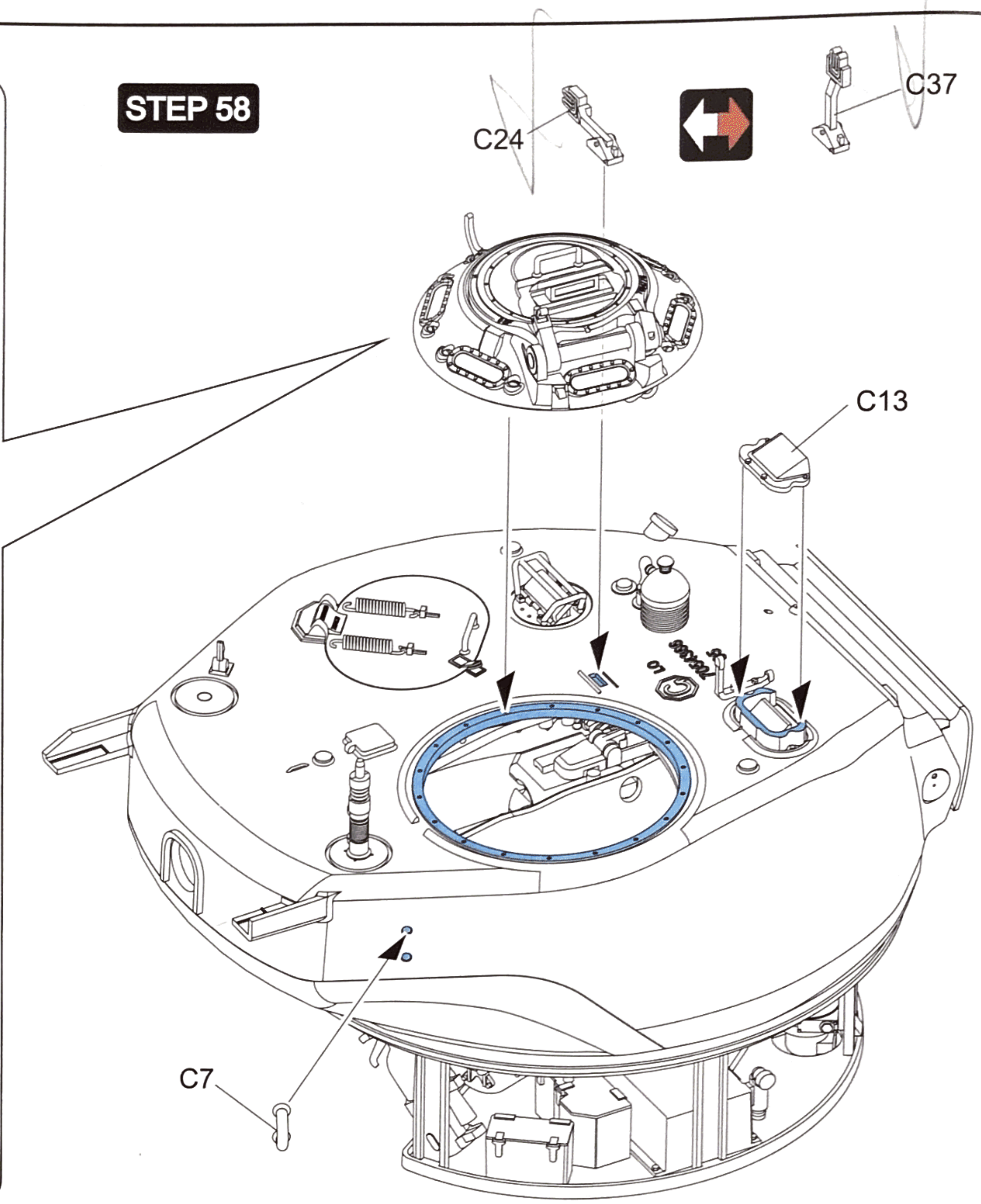


Can be adjusted to any angle
可以调整到任何角度





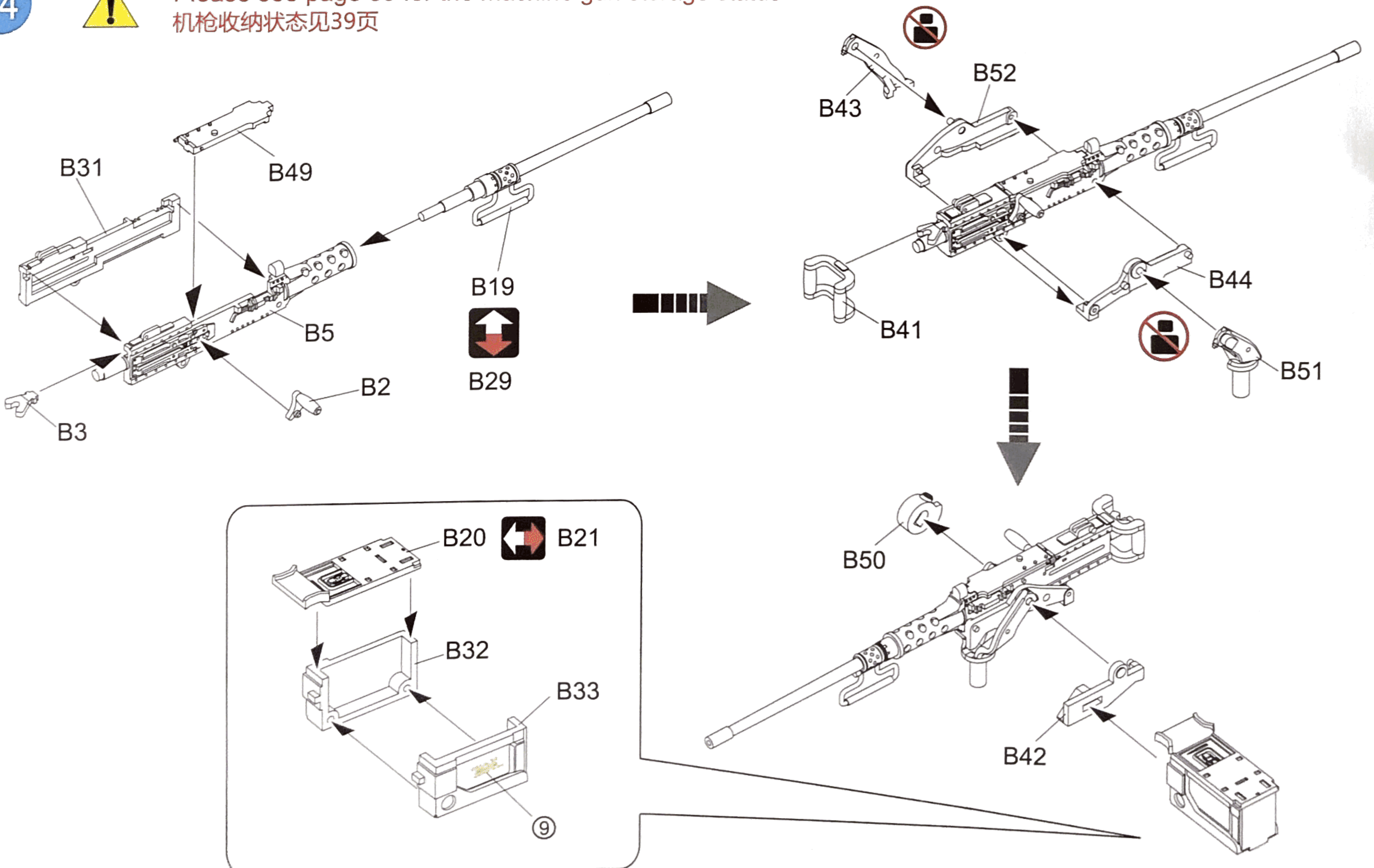
STEP 58



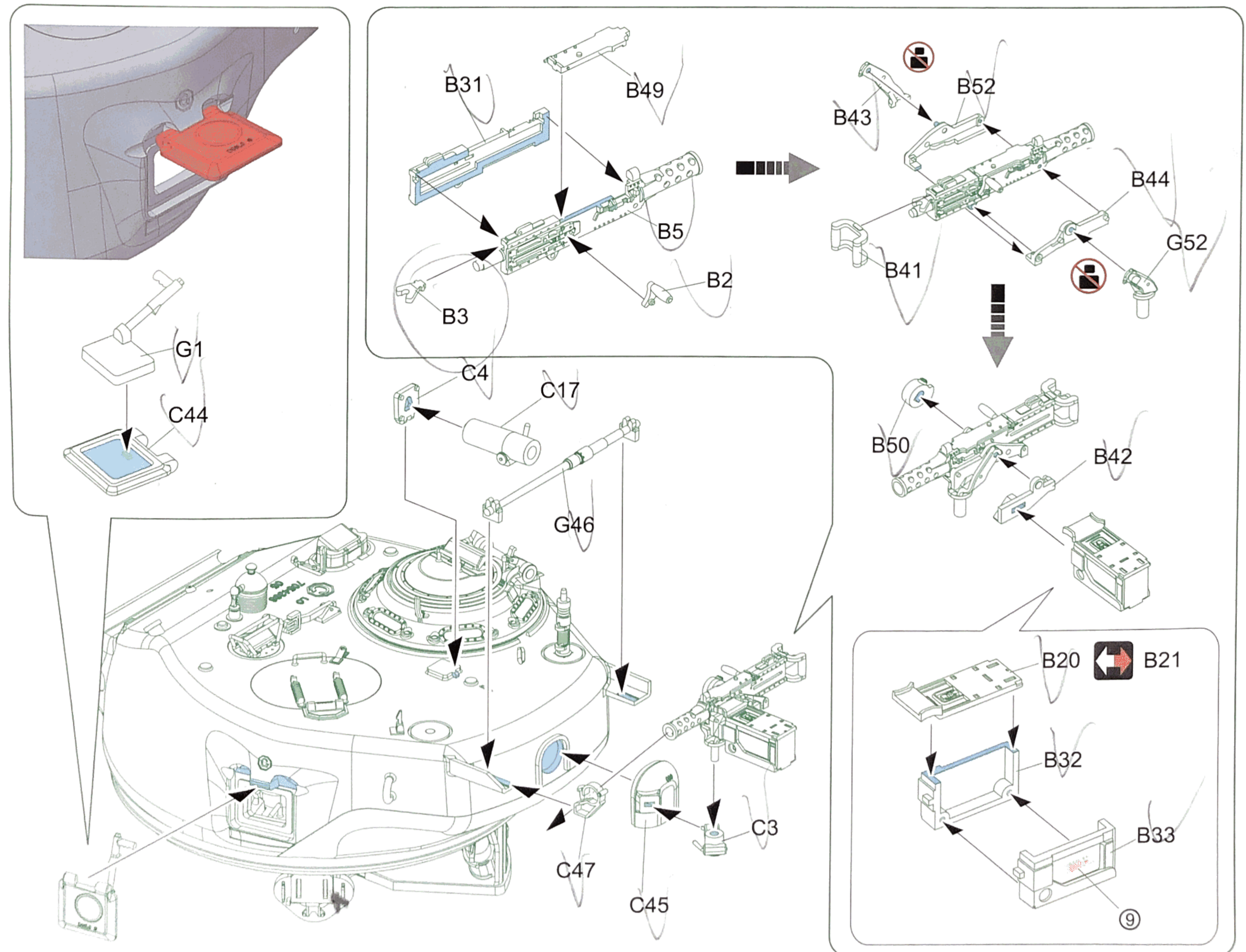
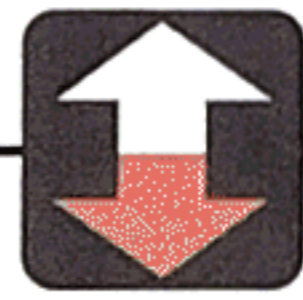
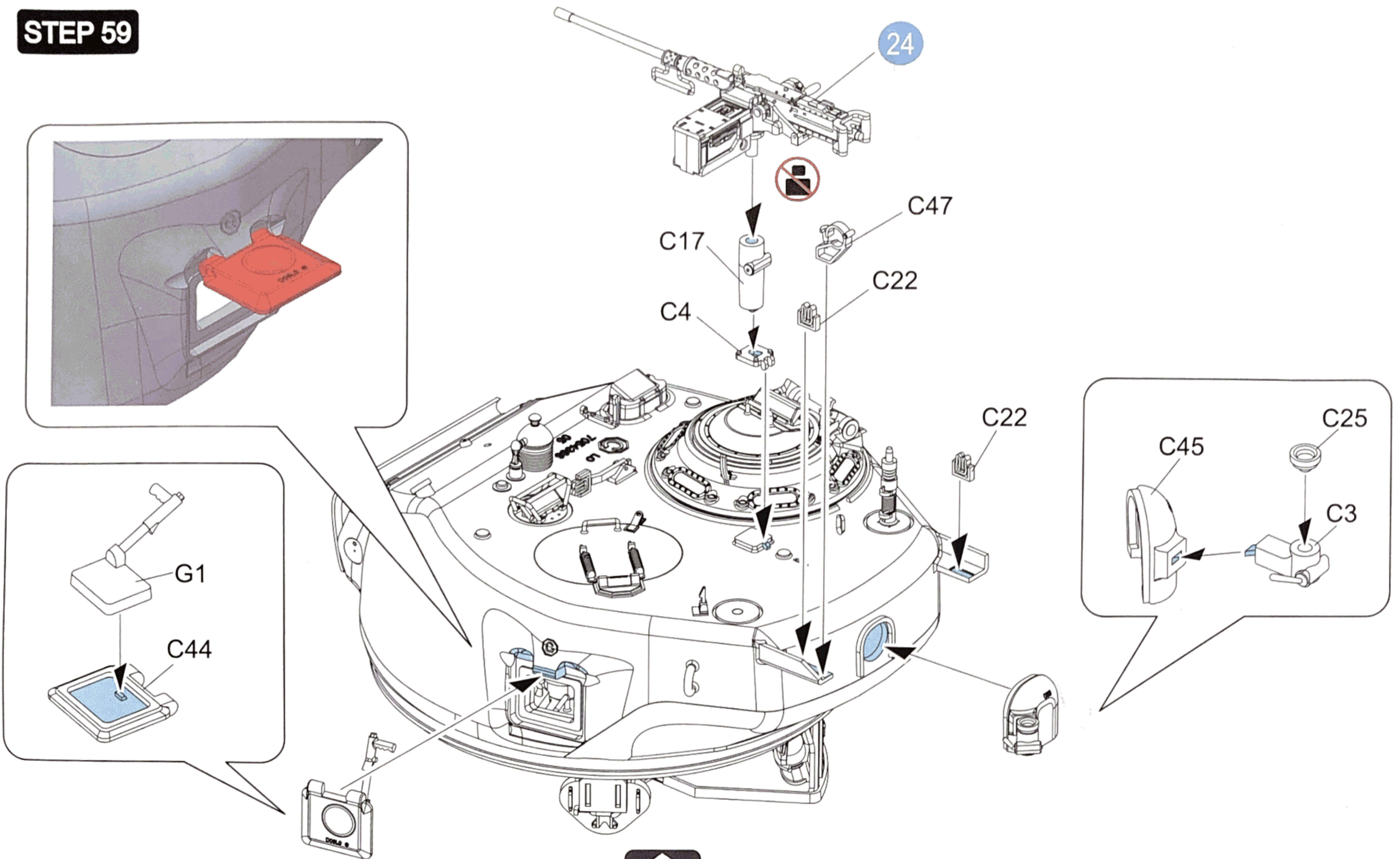
24



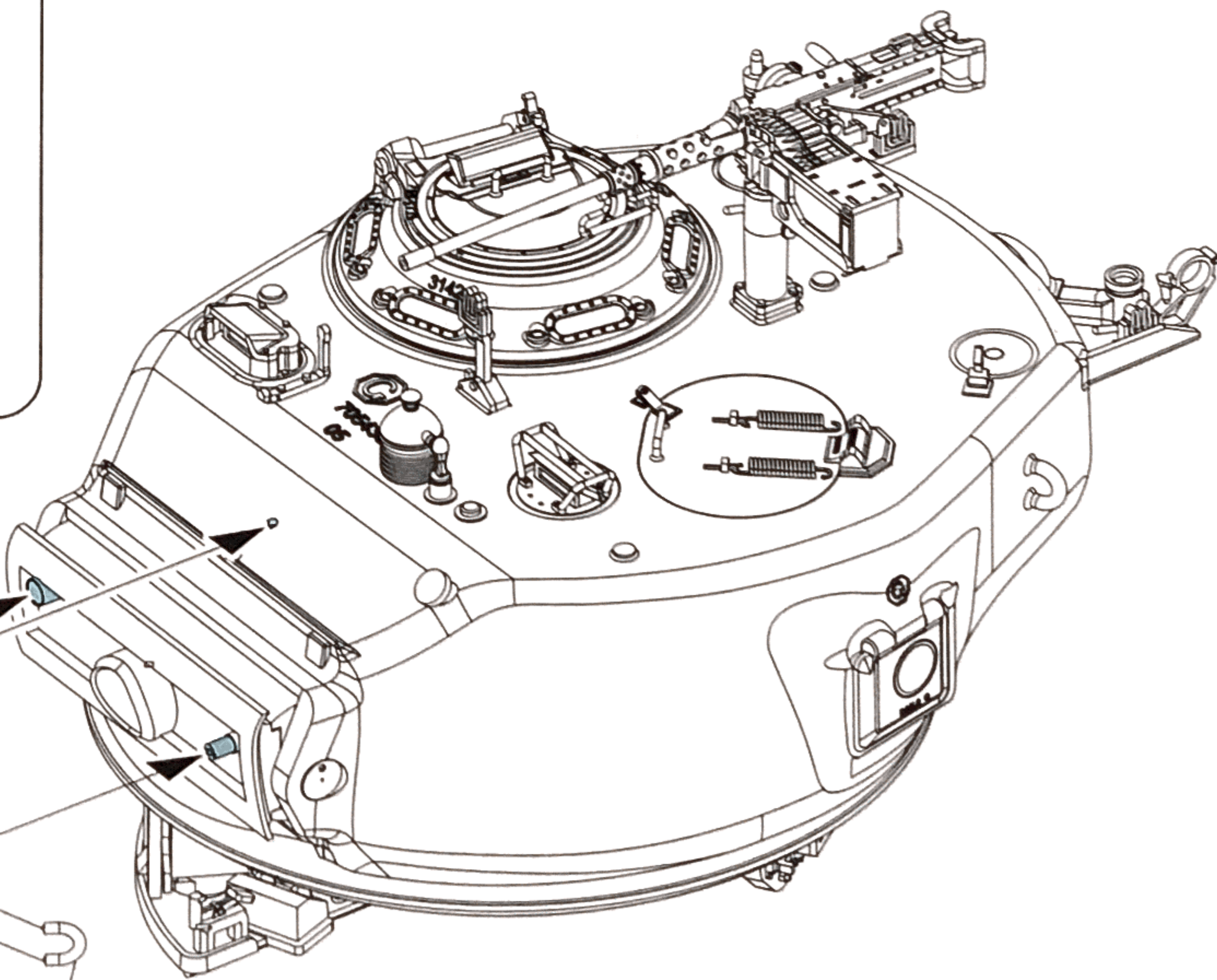
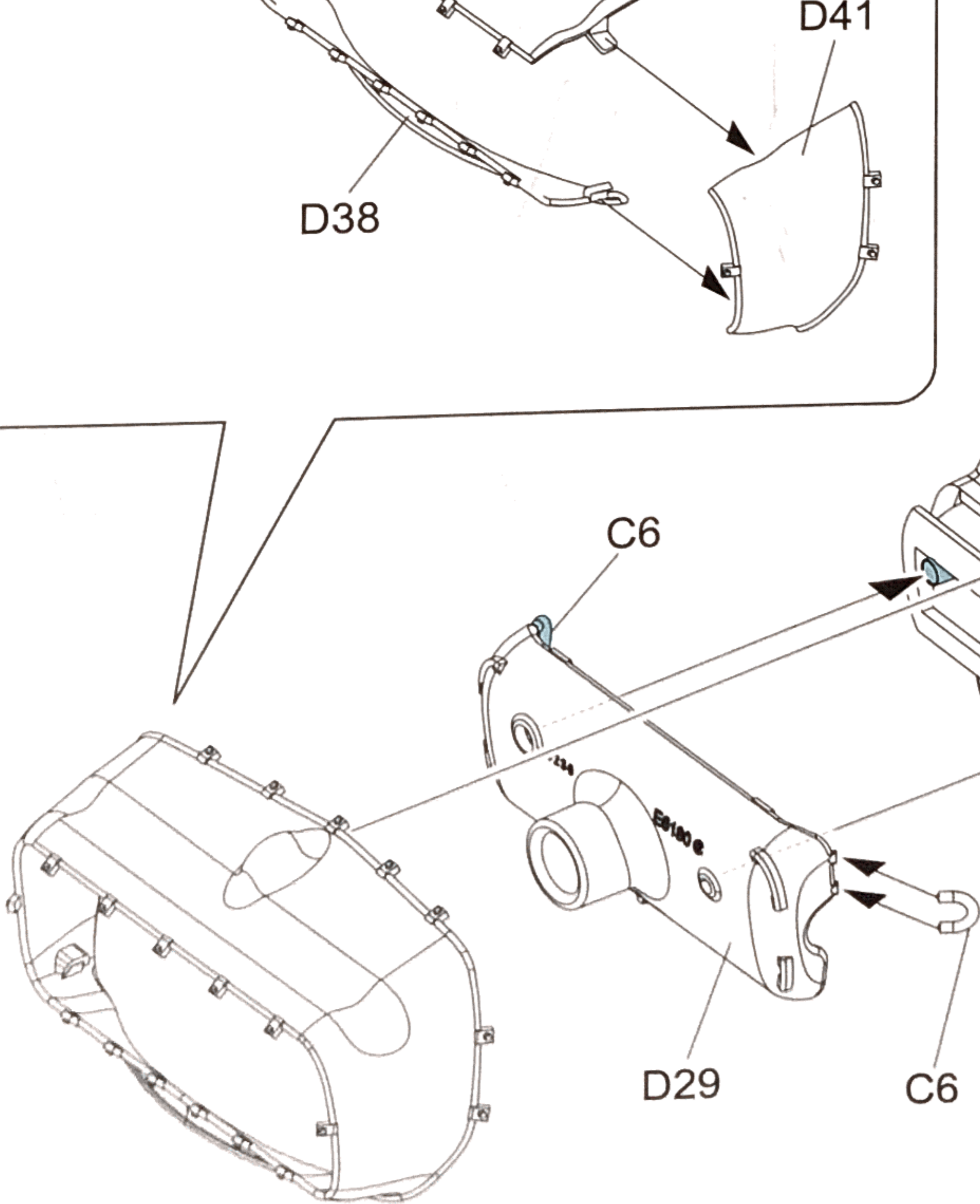
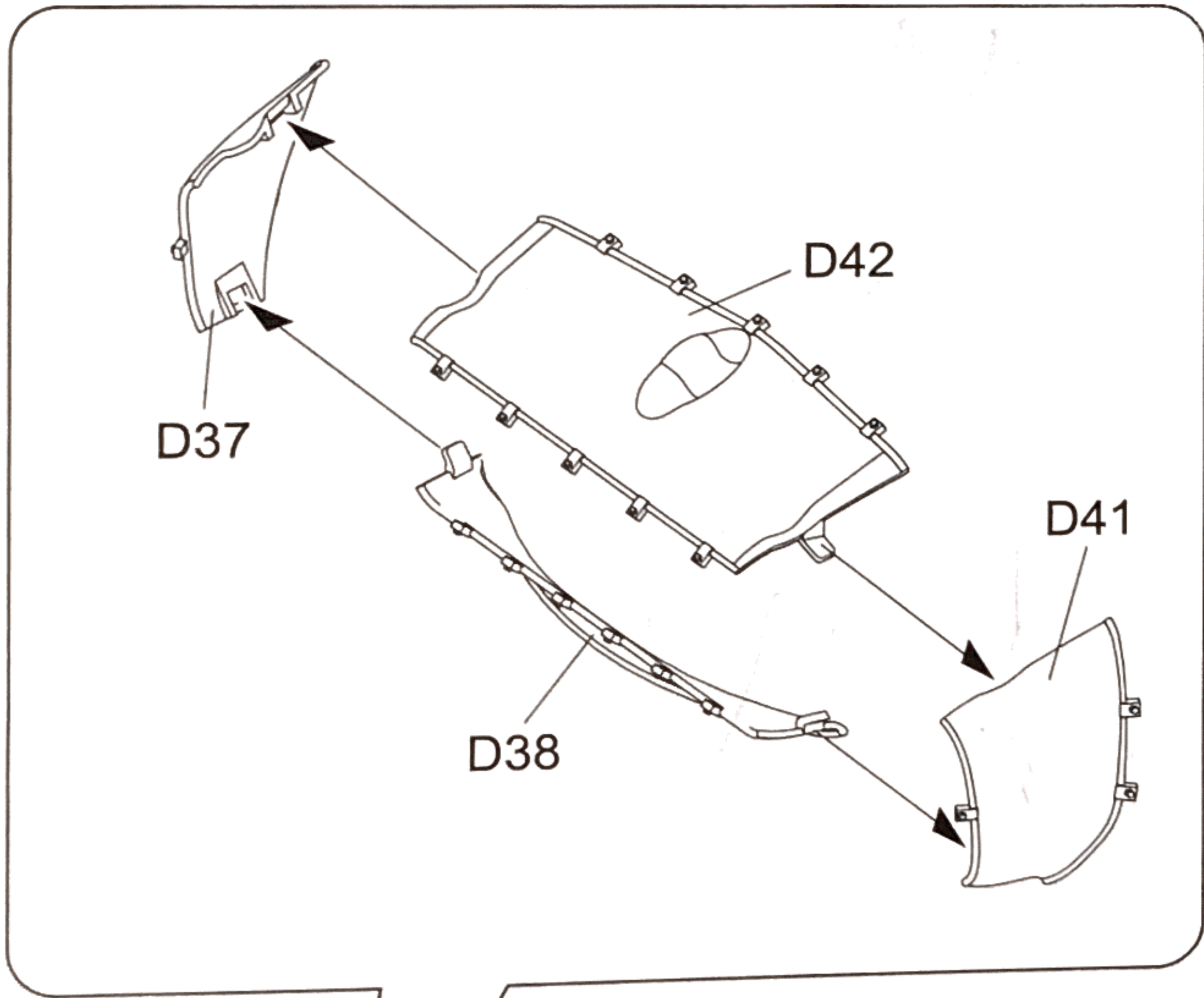
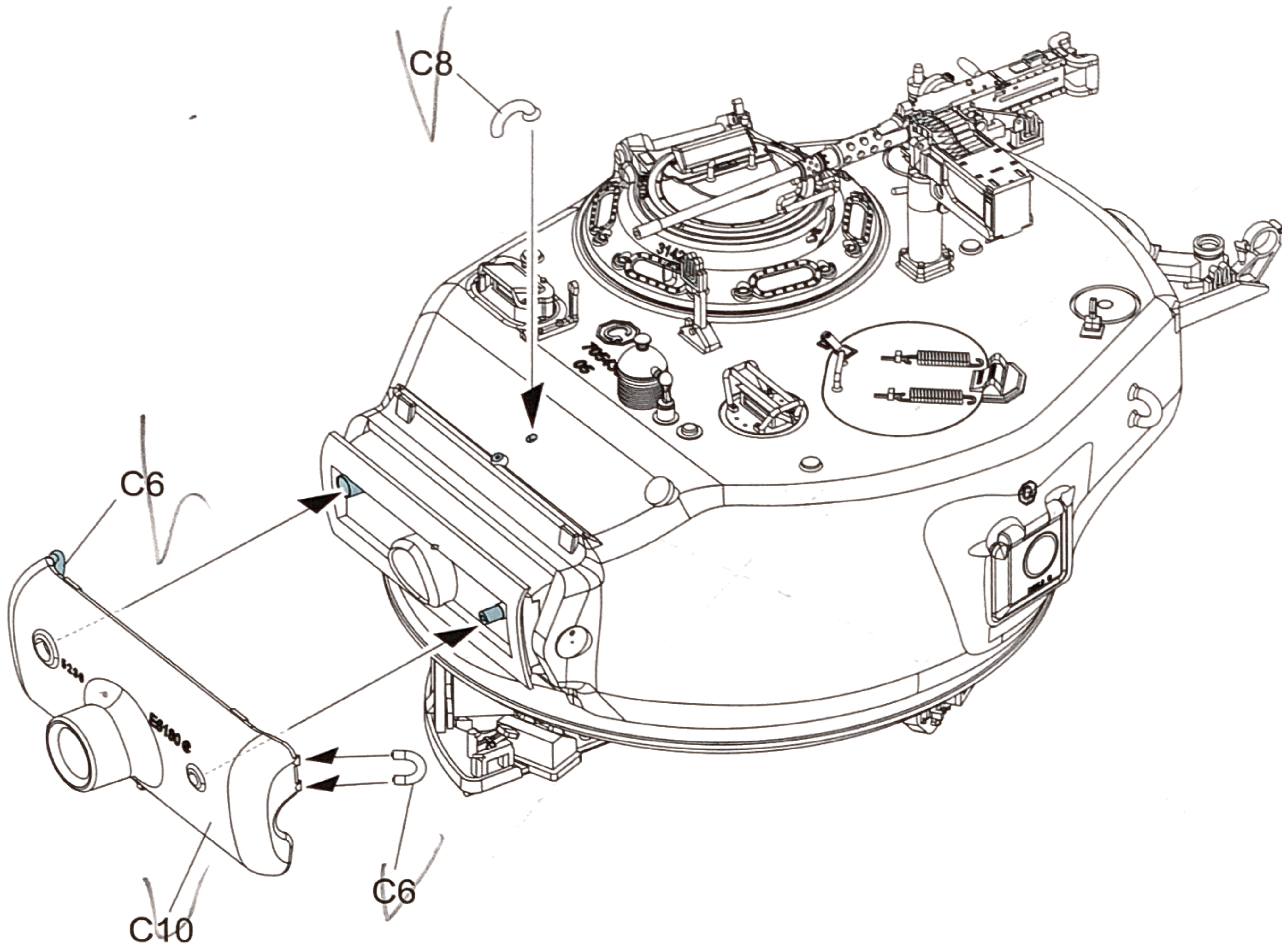
Please see page 39 for the machine gun storage status
机枪收纳状态见39页



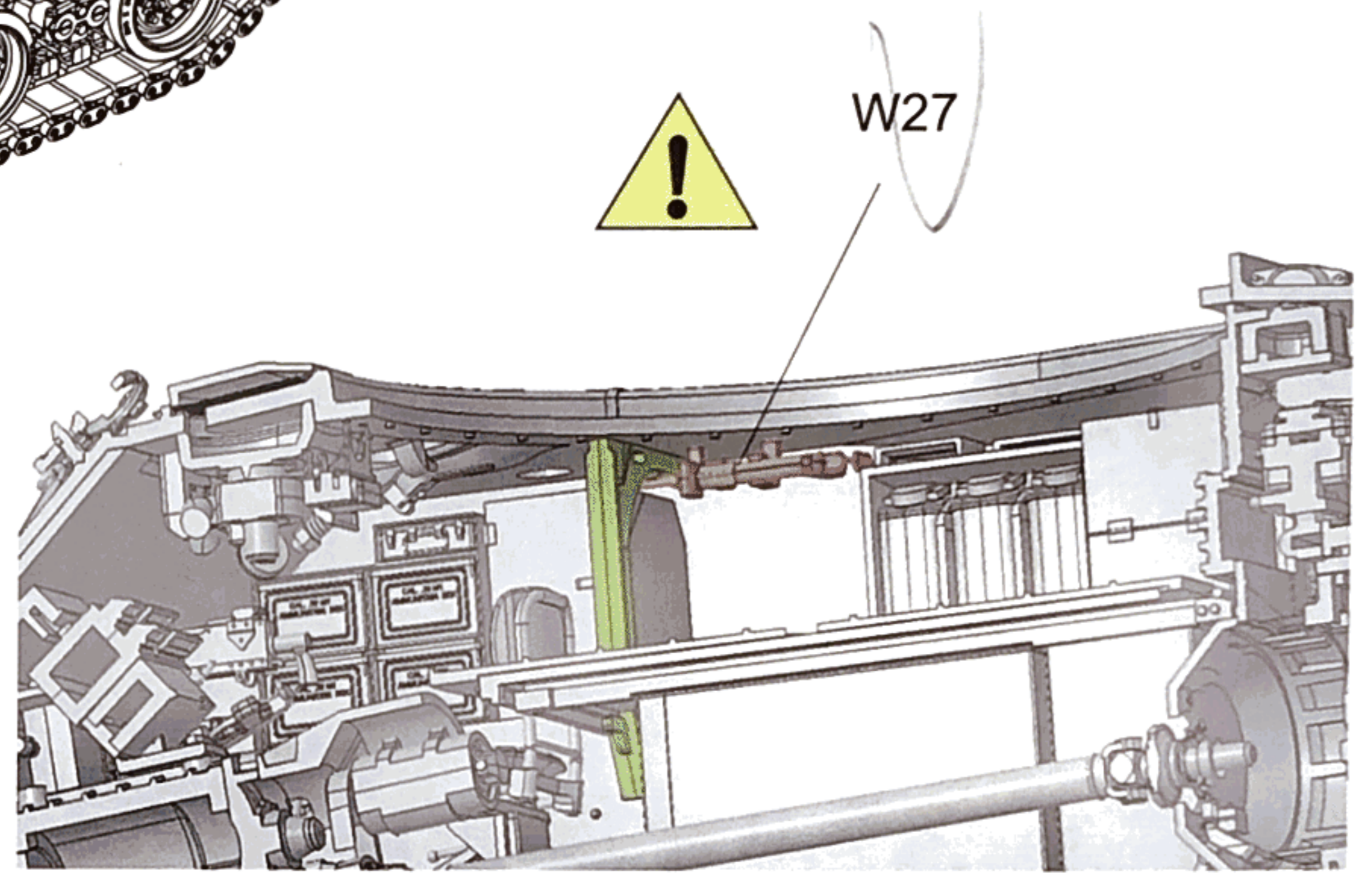
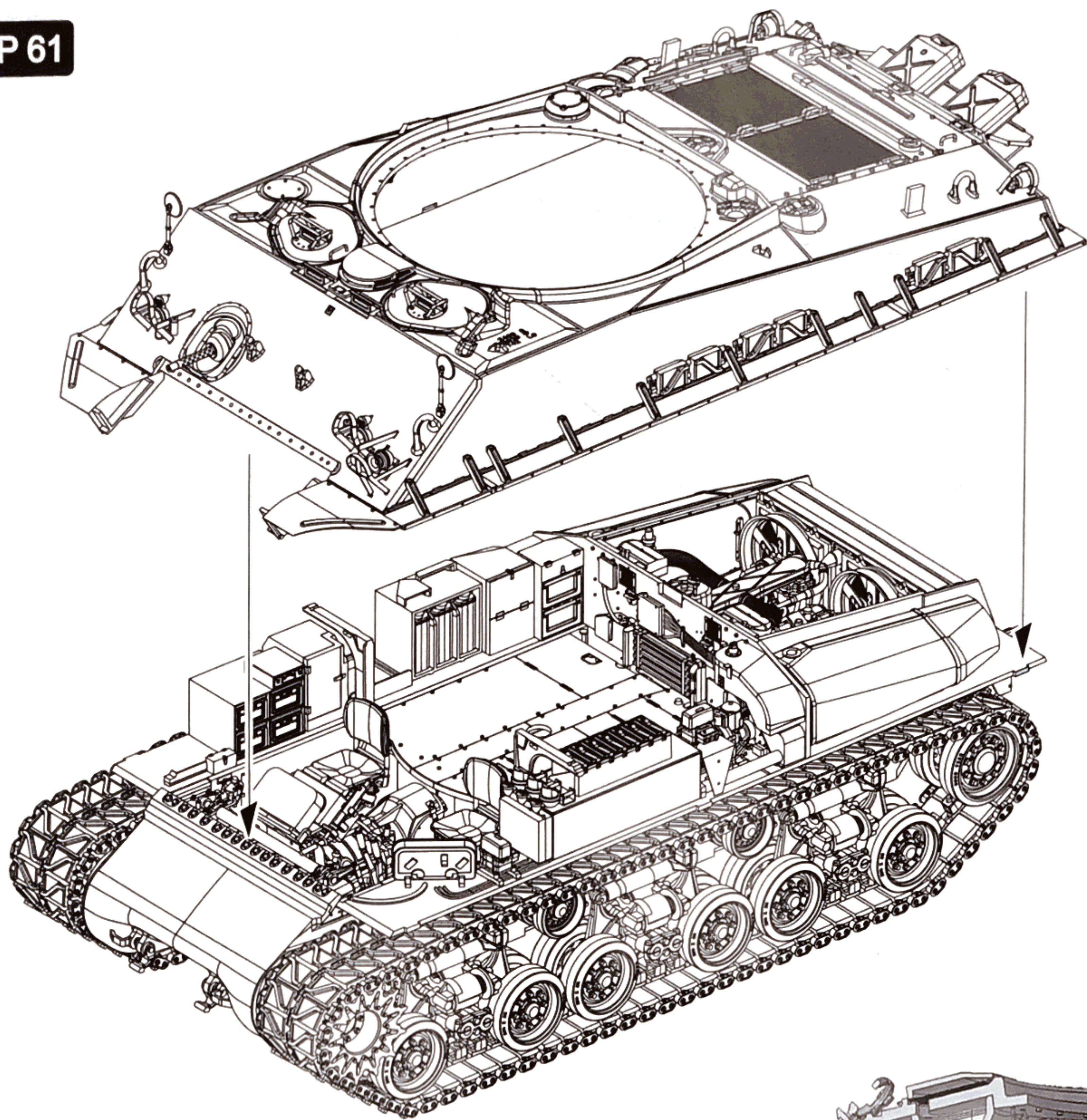
STEP 59



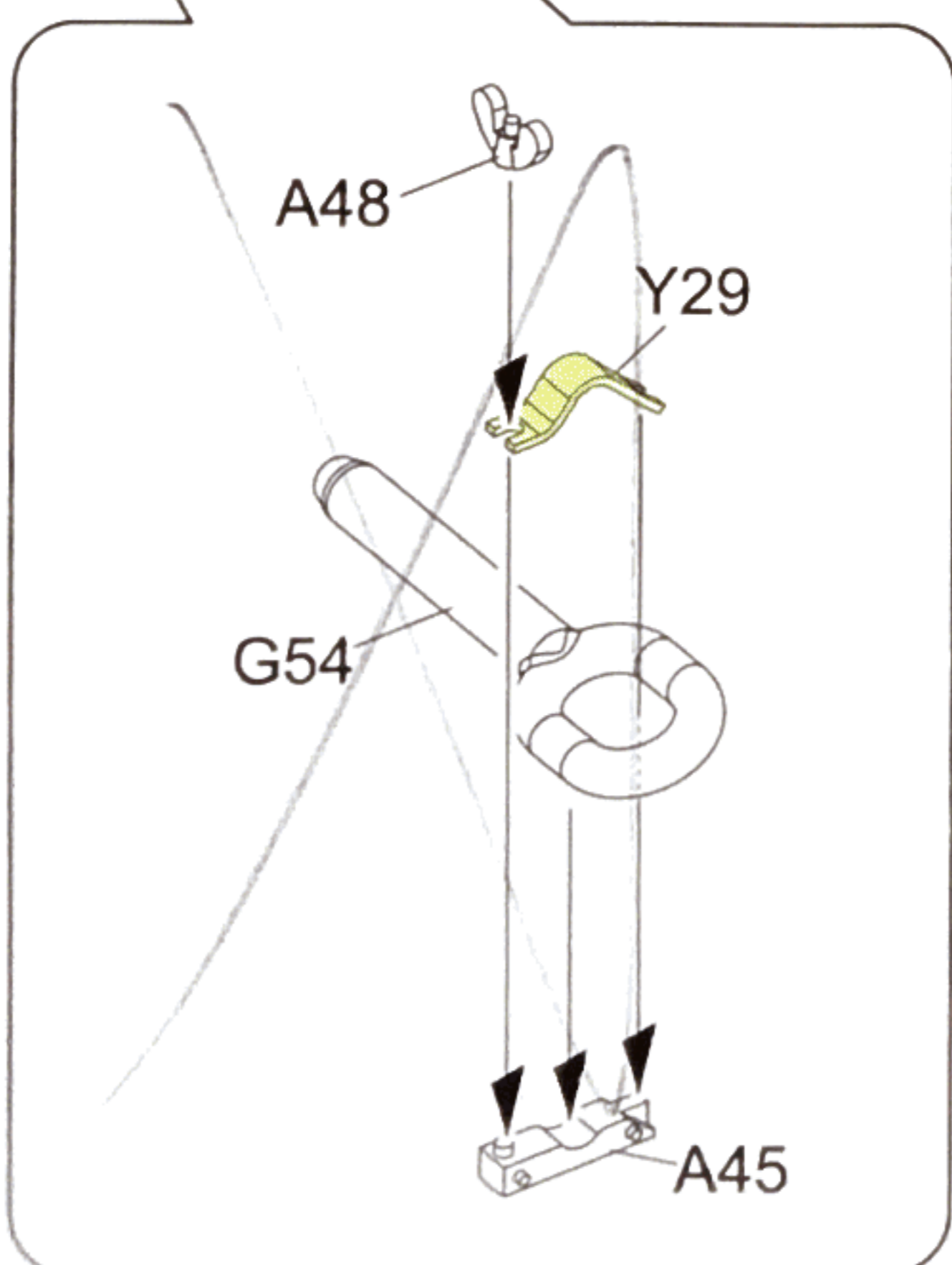
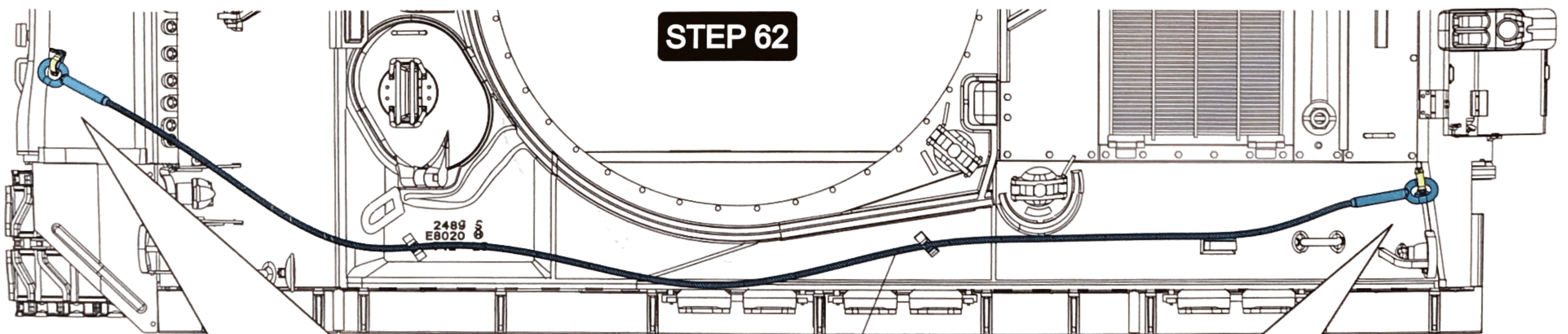
STEP 60



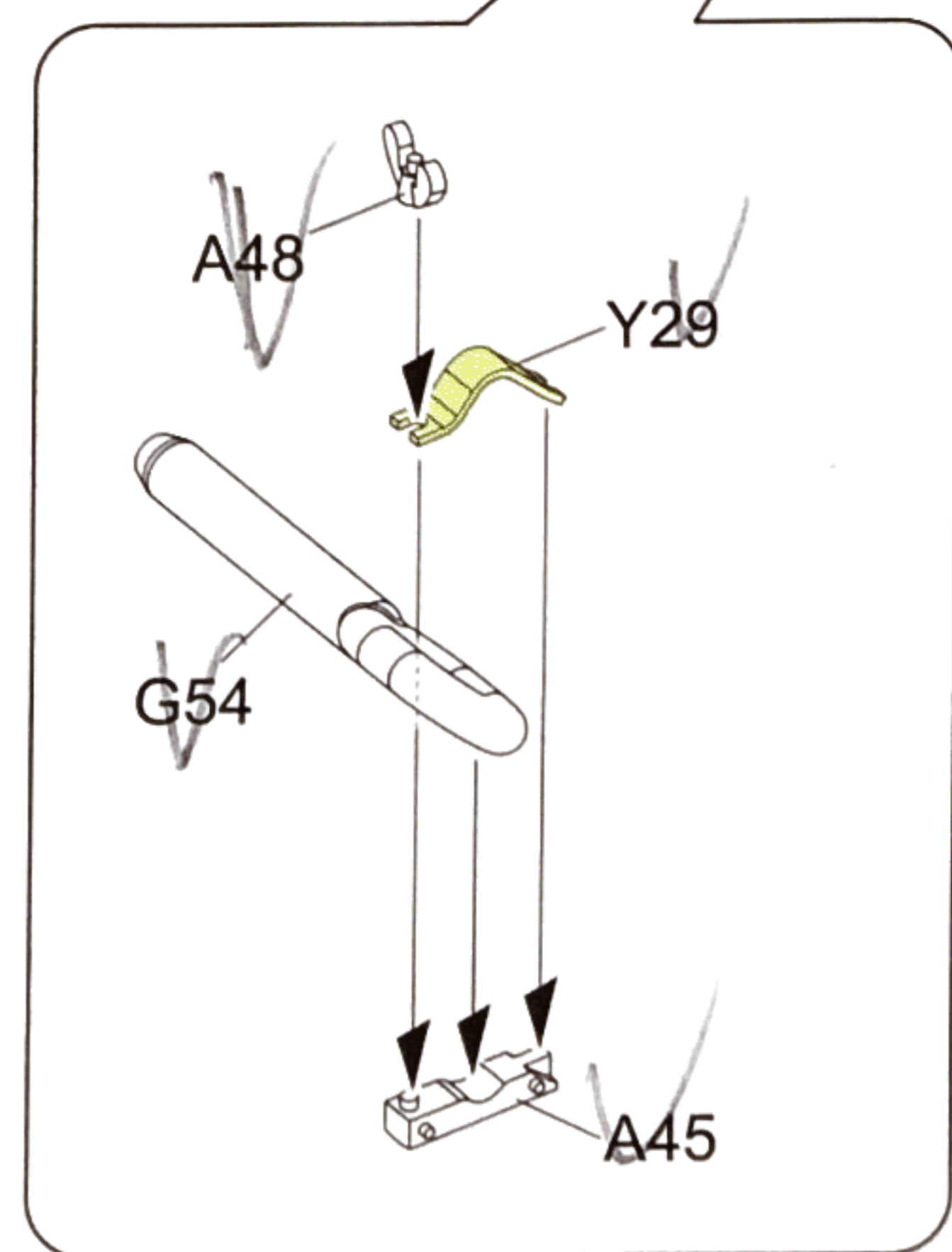
STEP 61



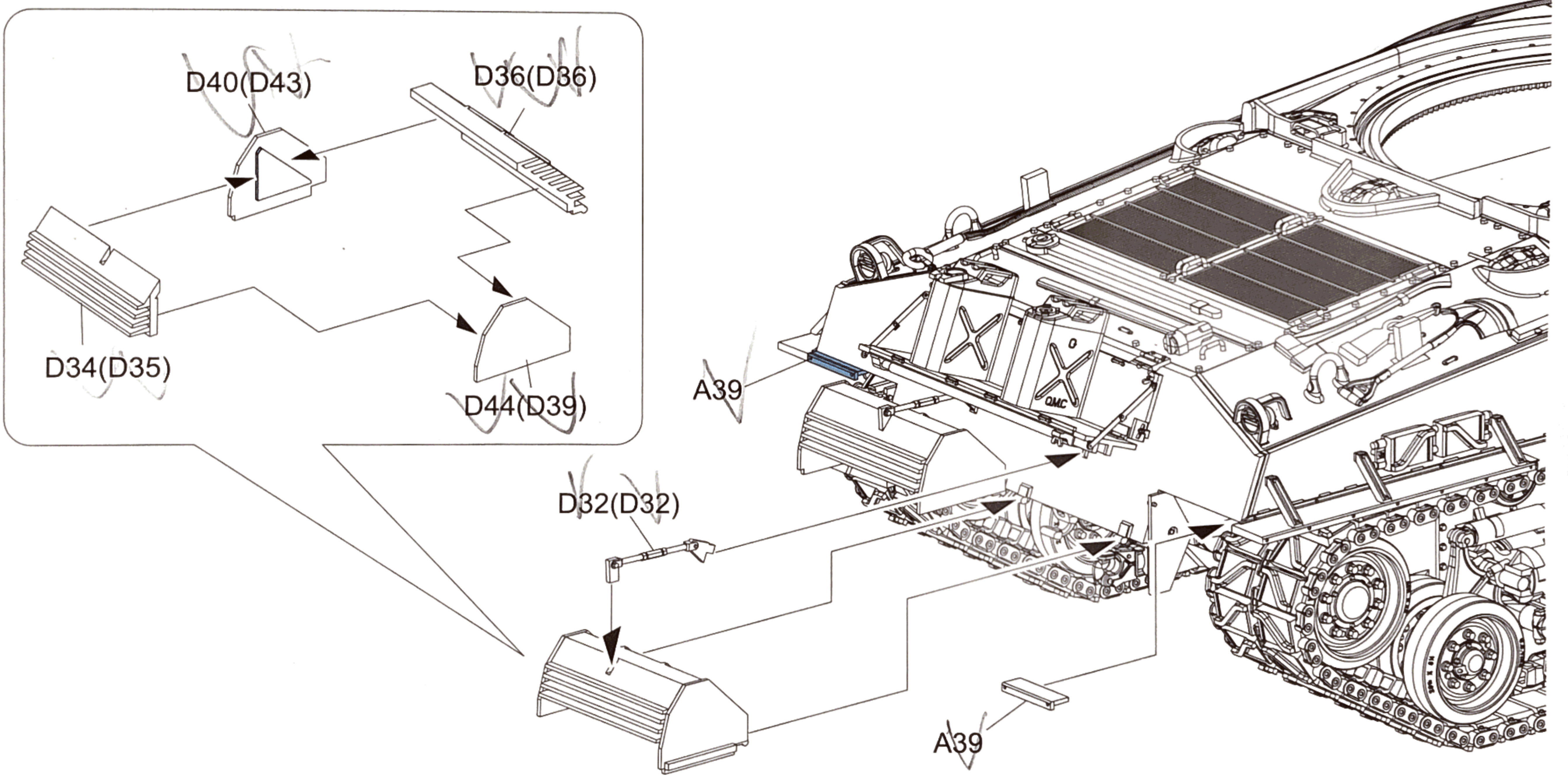
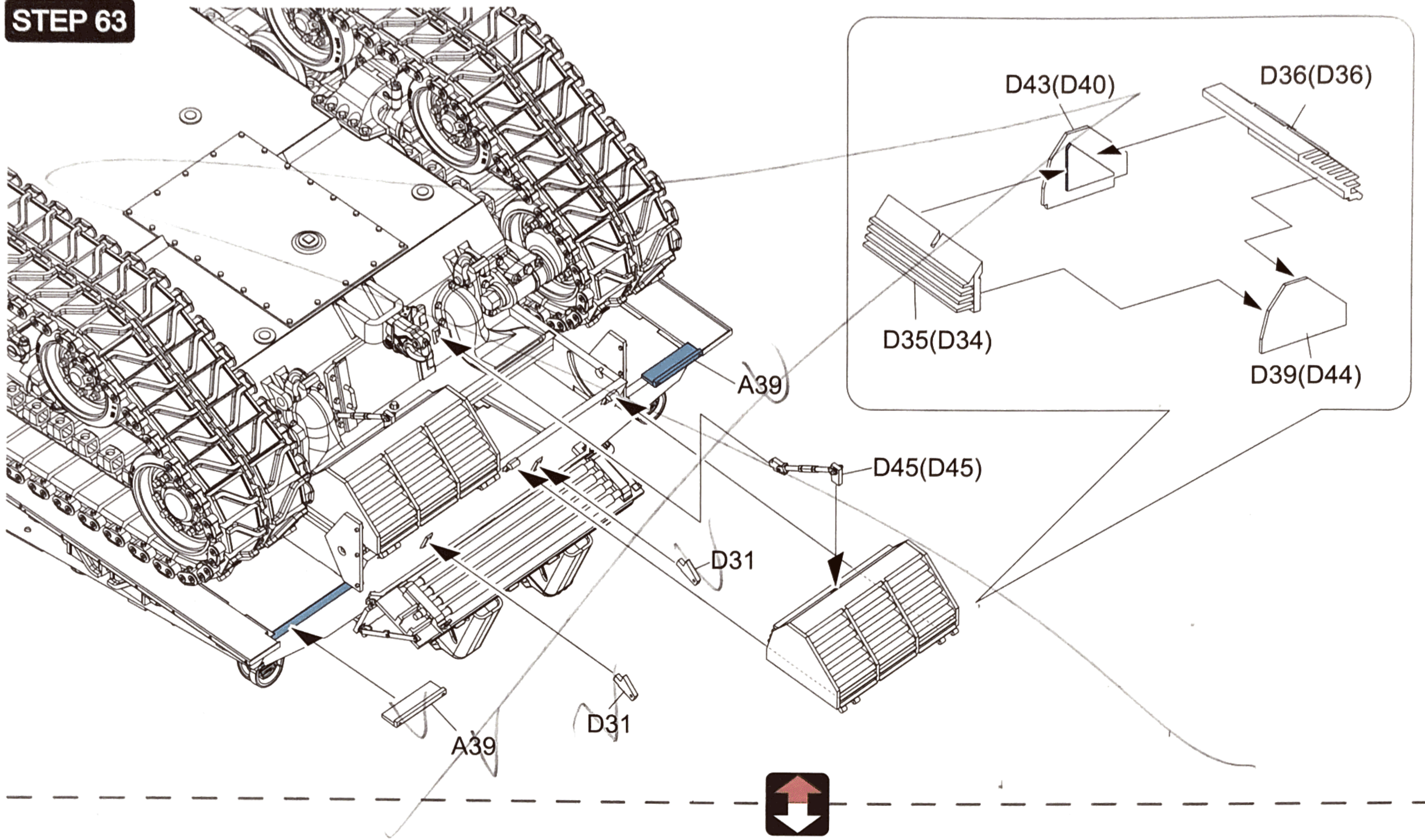
STEP 62



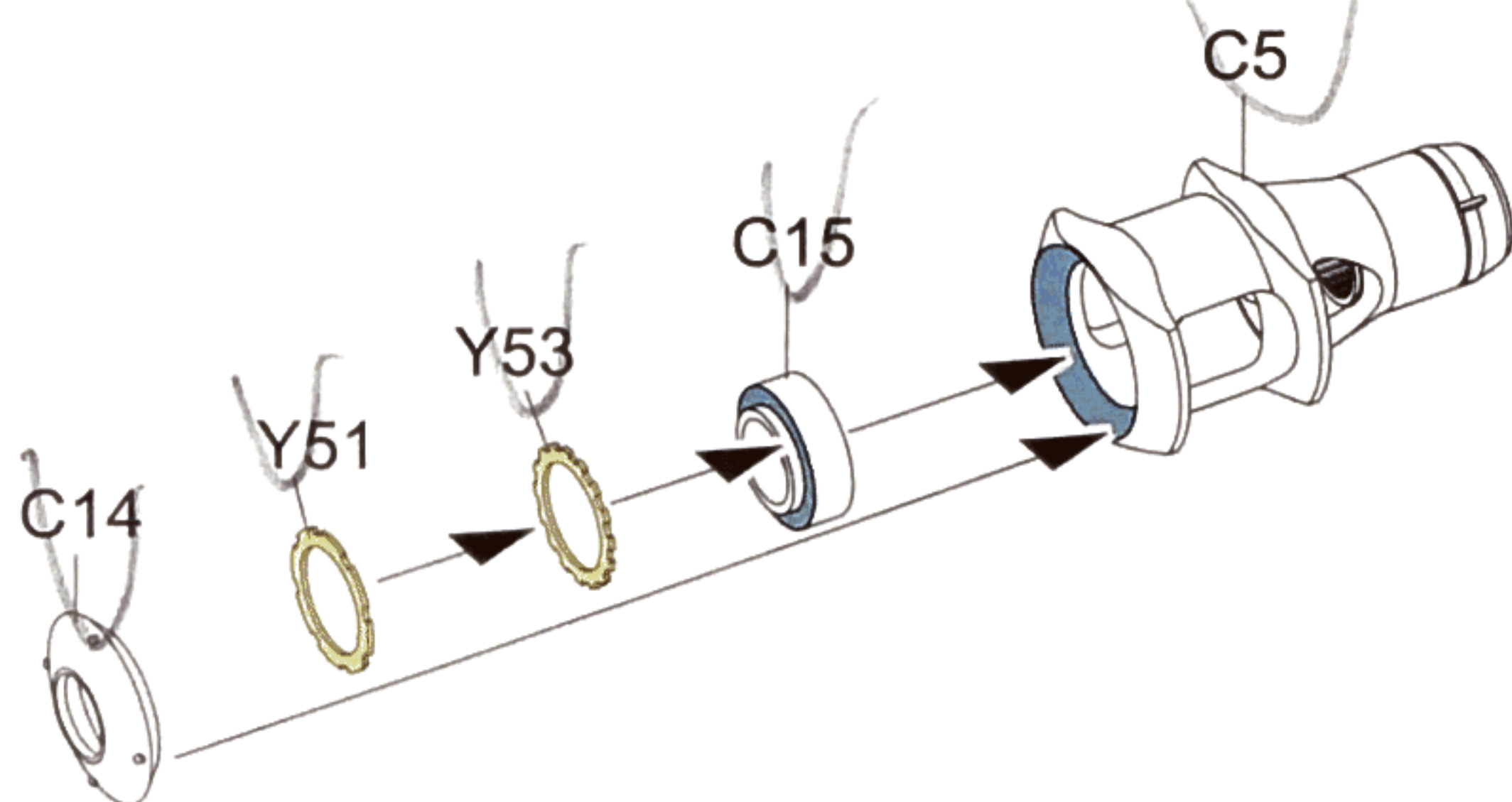
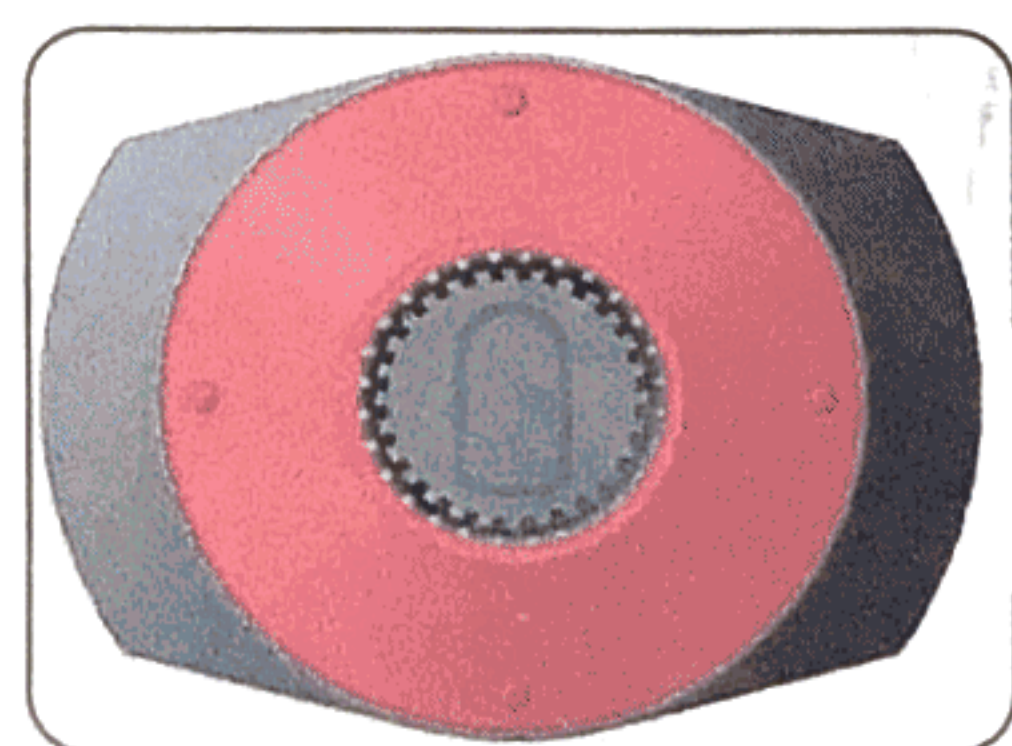
length: 155.50mm



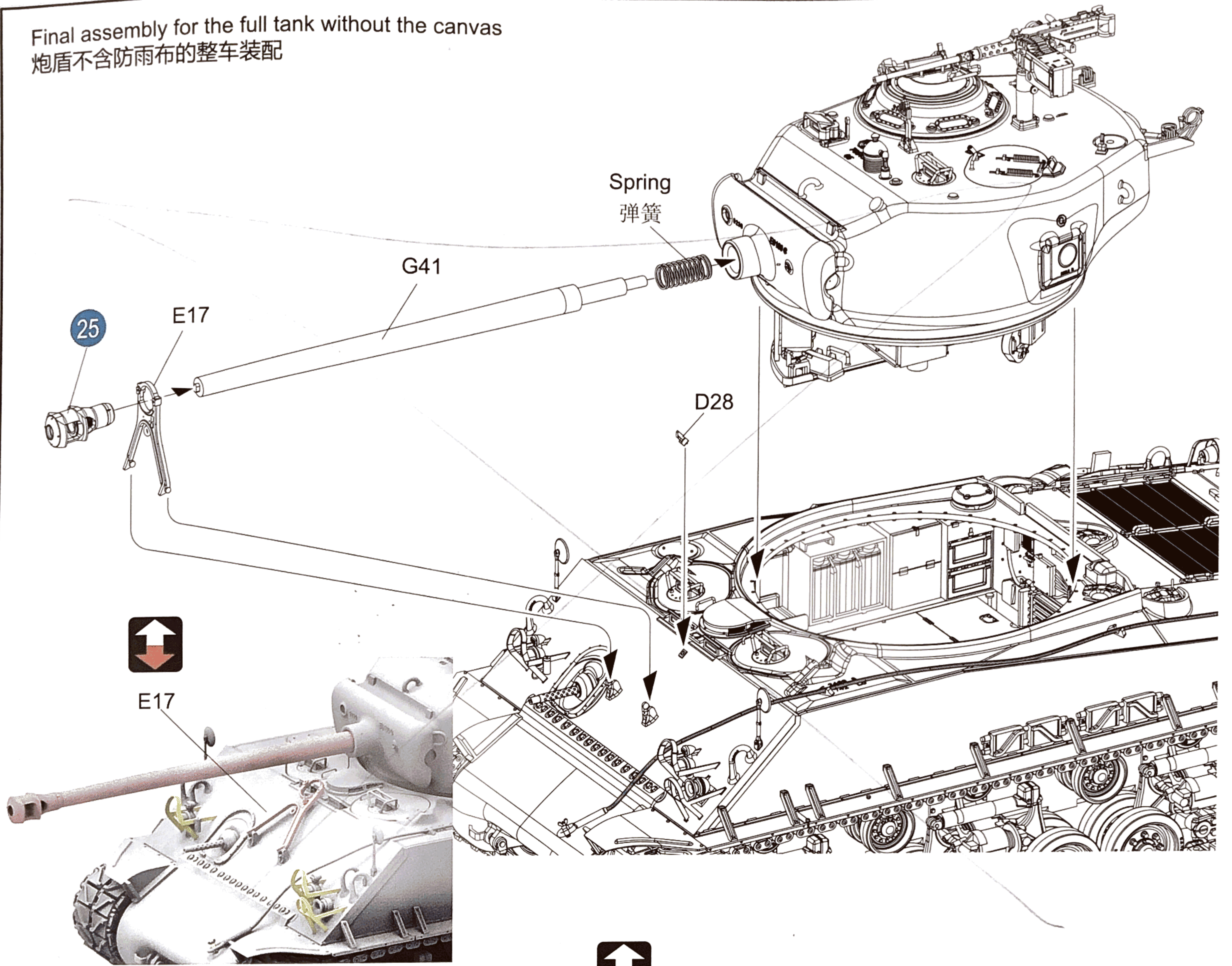
STEP 63



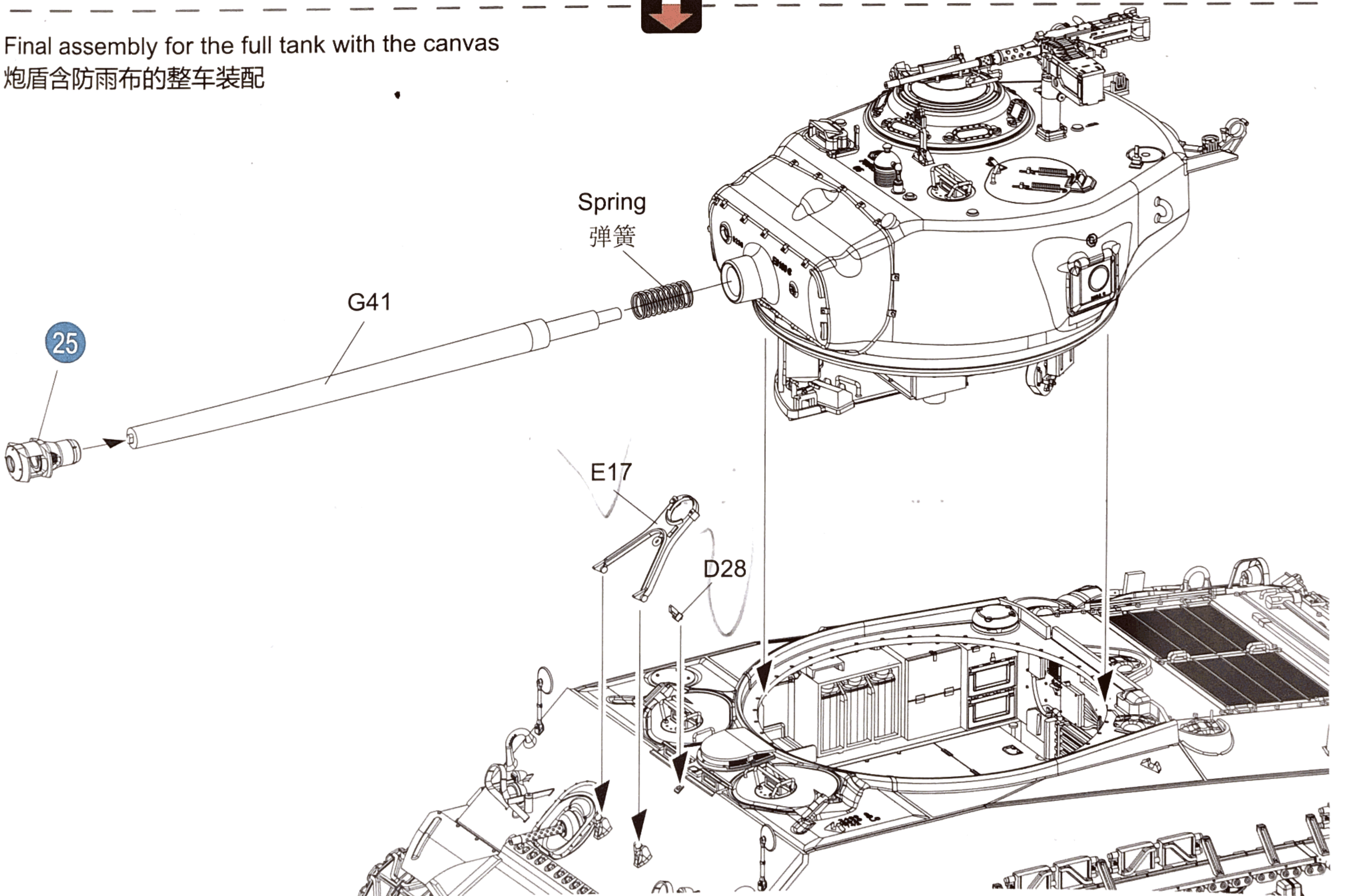
25



Final assembly for the full tank without the canvas
 炮盾不含防雨布的整车装配



Final assembly for the full tank with the canvas
 炮盾含防雨布的整车装配



Color info and profiles
by



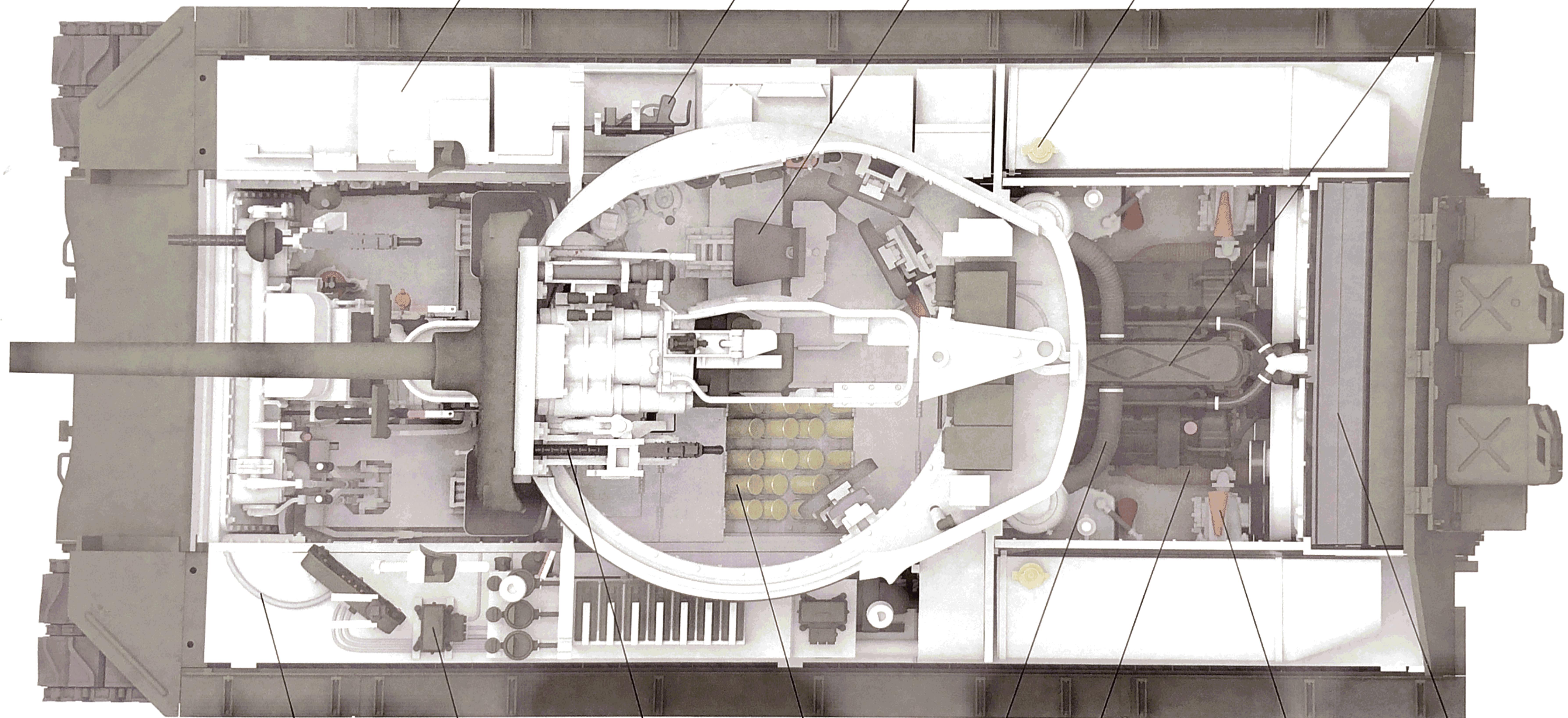
A.MIG-0050
MATT WHITE

A.MIG-0032
SATIN BLACK

A.MIG-0906
GREY SHADOW

A.MIG-0190
OLD BRASS

A.MIG-0924
OLIVE DRAB SHADOW



A.MIG-0050
MATT WHITE

A.MIG-0926
OLIVE DRAB BASE

A.MIG-0032
SATIN BLACK

A.MIG-0197
BRASS

A.MIG-907
GREY DARK BASE

A.MIG-0041
DARK RUST

A.MIG-0049
RED

A.MIG-0909
GREY LIGHT BASE

Color info and profiles
by

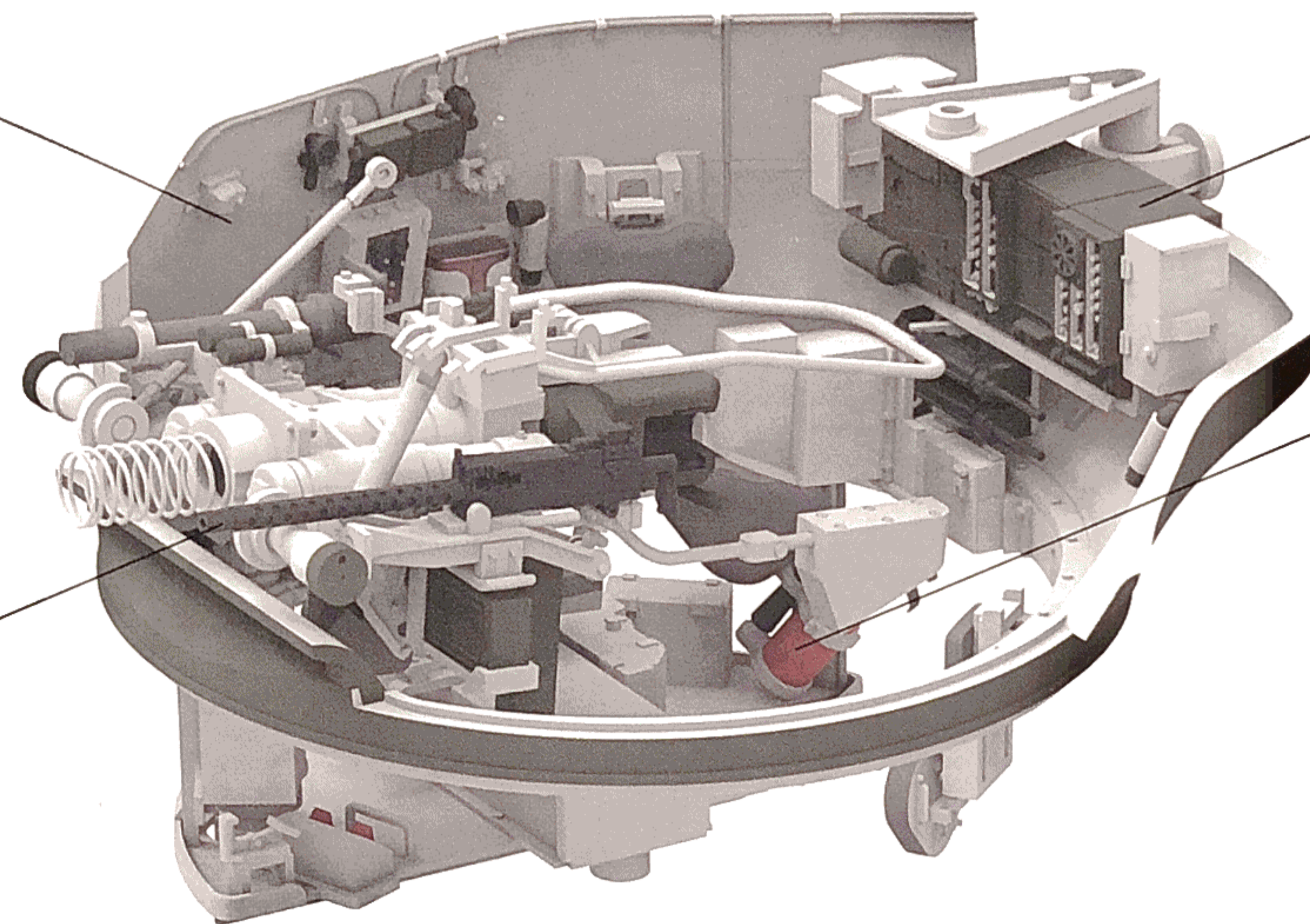


A.MIG-0050
MATT WHITE

A.MIG-0926
OLIVE DRAB BASE

A.MIG-0049
RED

A.MIG-0032
SATIN BLACK



A.MIG-0906
GREY SHADOW

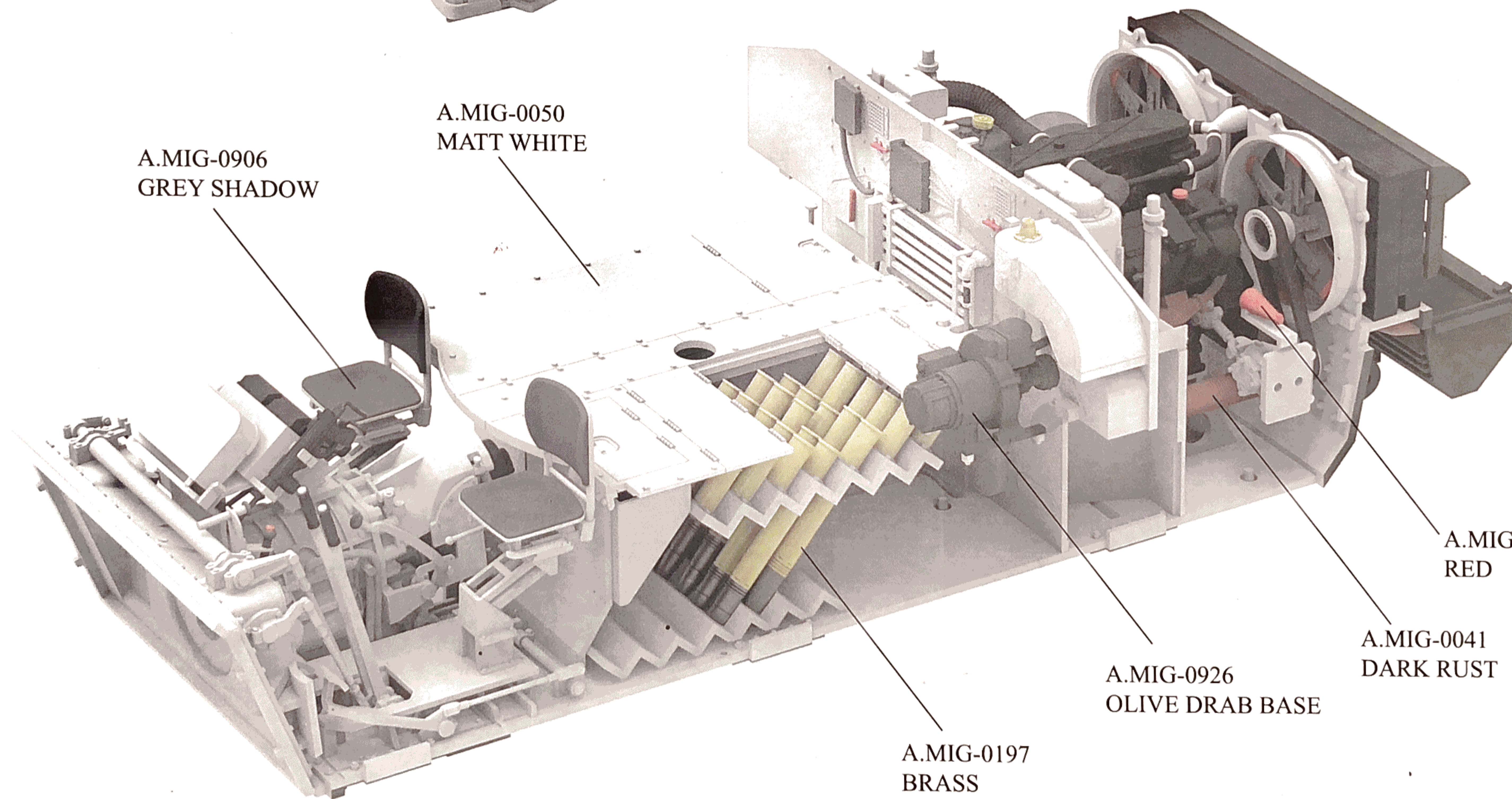
A.MIG-0050
MATT WHITE

A.MIG-0049
RED

A.MIG-0041
DARK RUST

A.MIG-0926
OLIVE DRAB BASE

A.MIG-0197
BRASS



W/ WORKABLE TRACK LINKS
SHERMAN M4A3E8

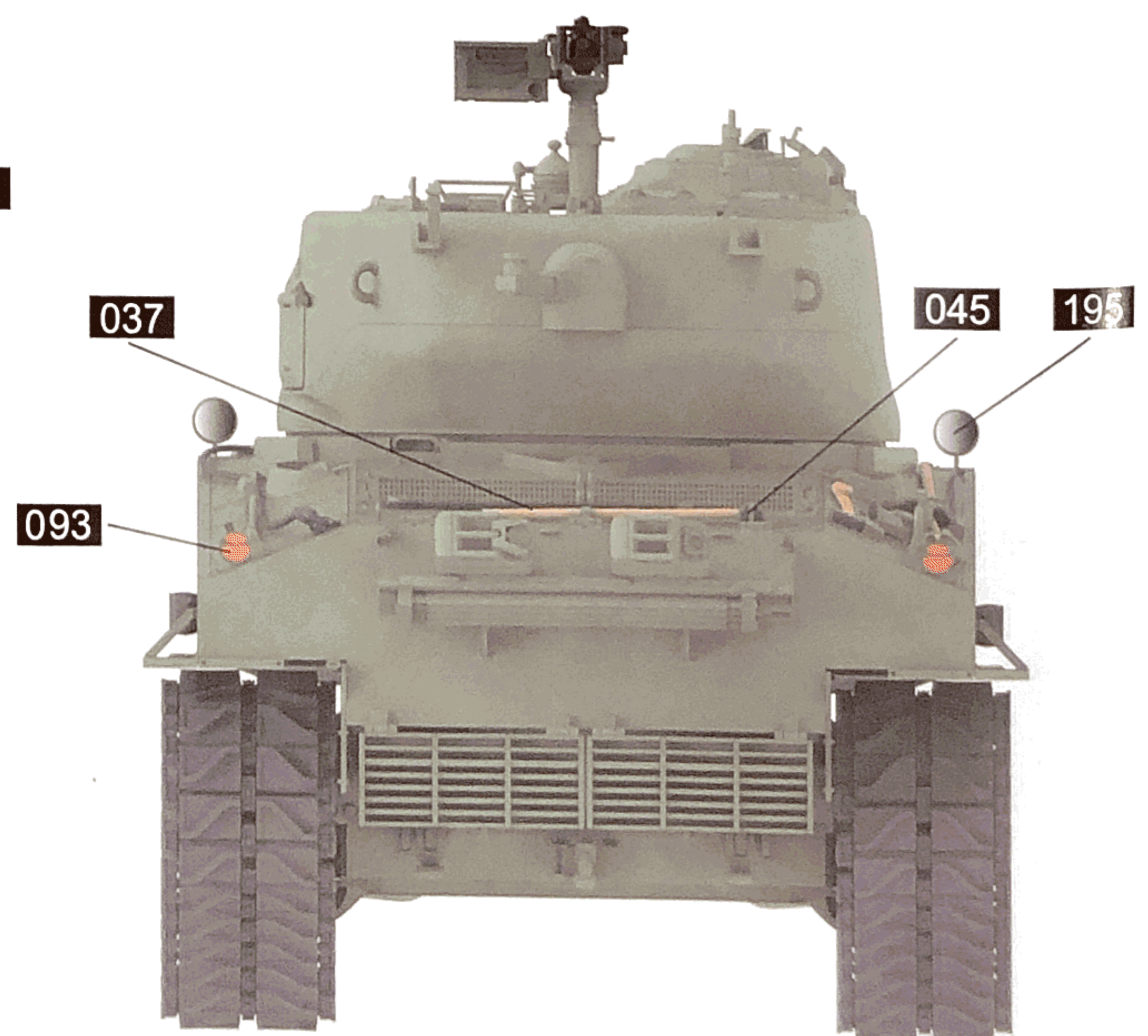
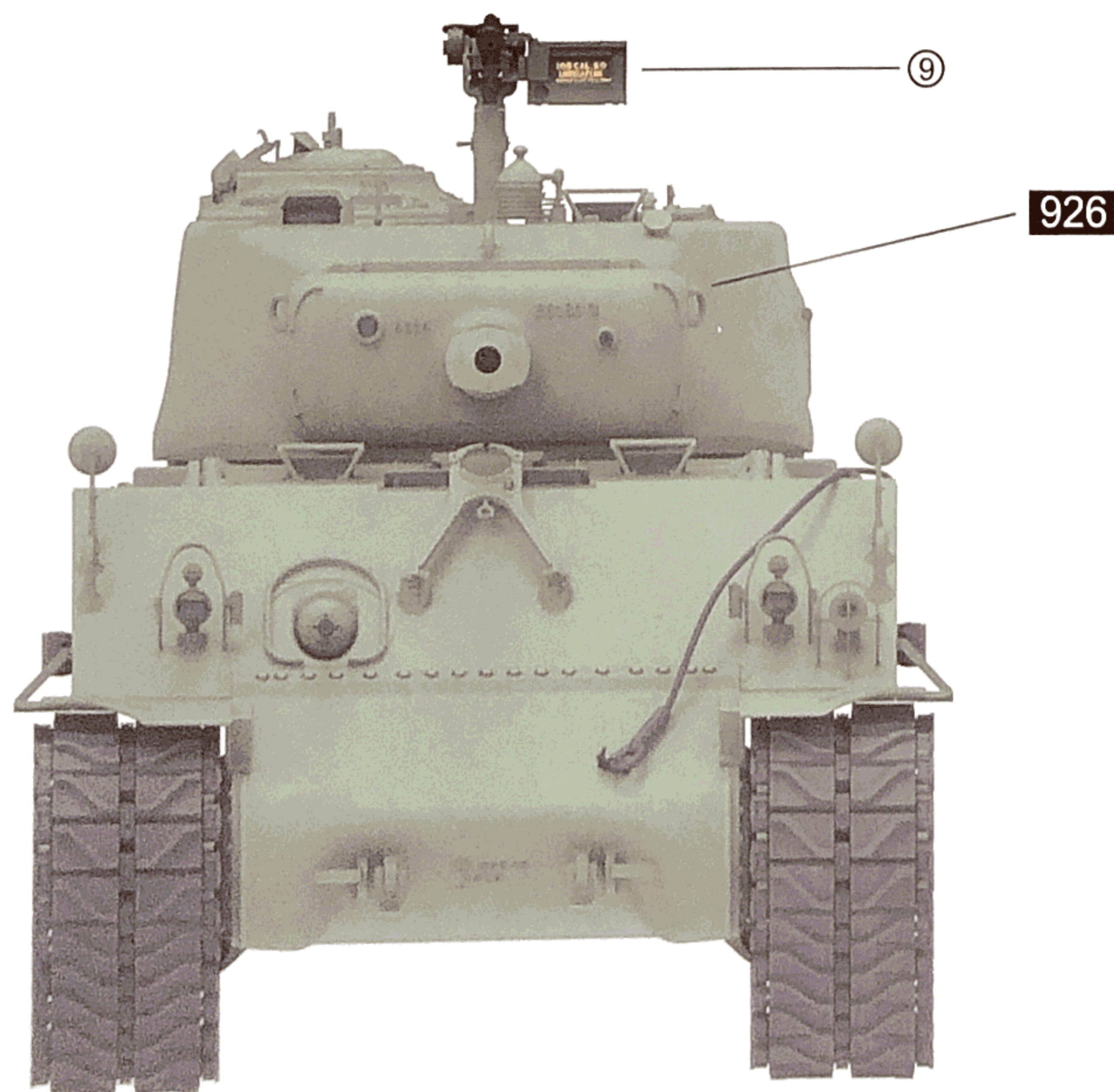
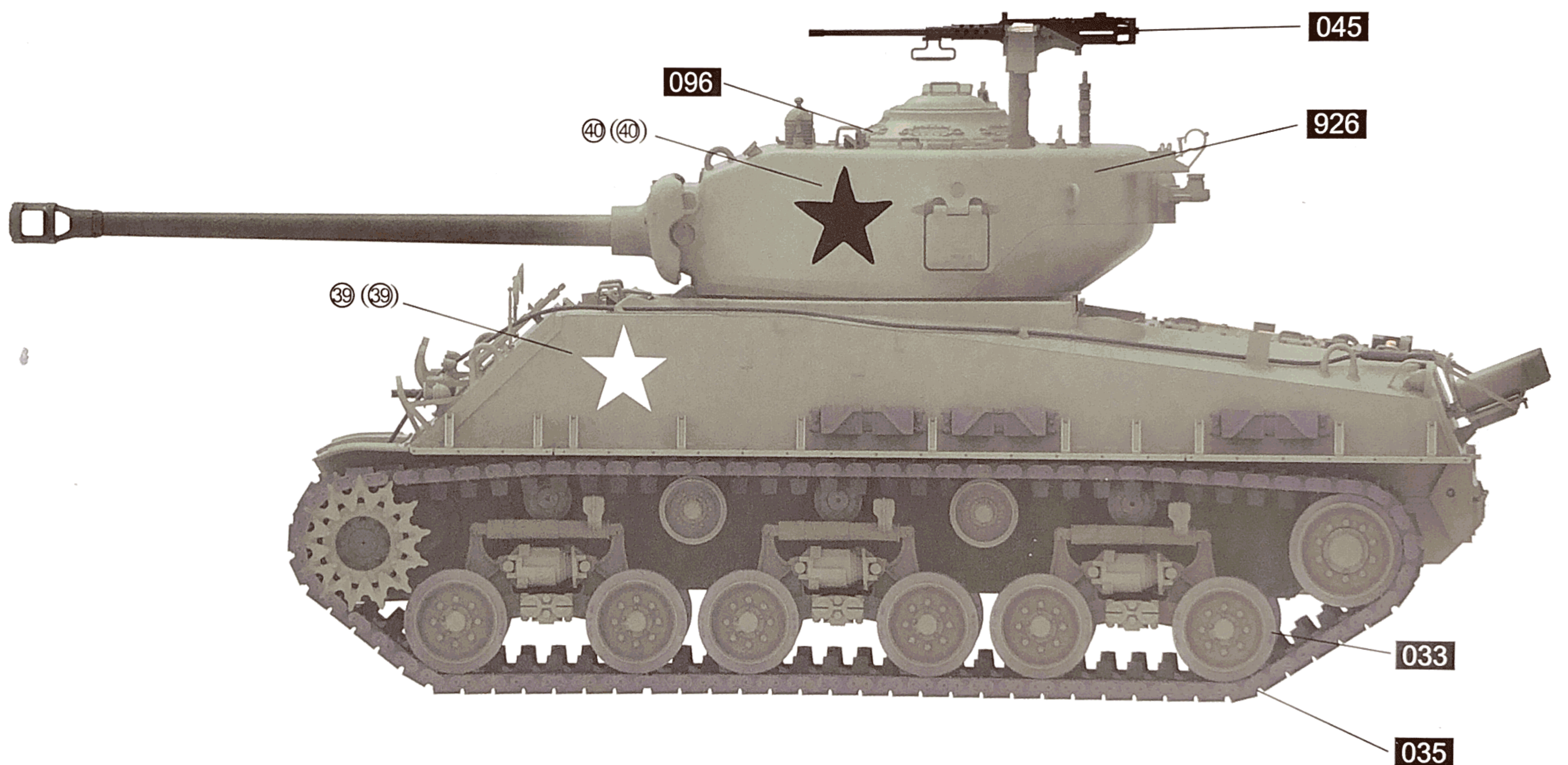
Painting and Marking Guide

www.migjimenez.com



	A.MIG 926 Olive Drab Base		A.MIG 195 Silver		A.MIG 094 Crystal Glass
	A.MIG 135 Cinnamon		A.MIG 035 Dark Tracks		A.MIG 093 Crystal Red
	A.MIG 033 Rubber & Tires		A.MIG 045 Gun Metal		A.MIG 037 New Wood
					A.MIG 096 Crystal Periscope Green

35th Thank Battalion, 4th Armored Division. Bastogne, Belgium, January 1945
1945年1月, 比利时, 巴斯托涅地区, 第四装甲师, 第35坦克营



W/ WORKABLE TRACK LINKS
SHERMAN M4A3E8

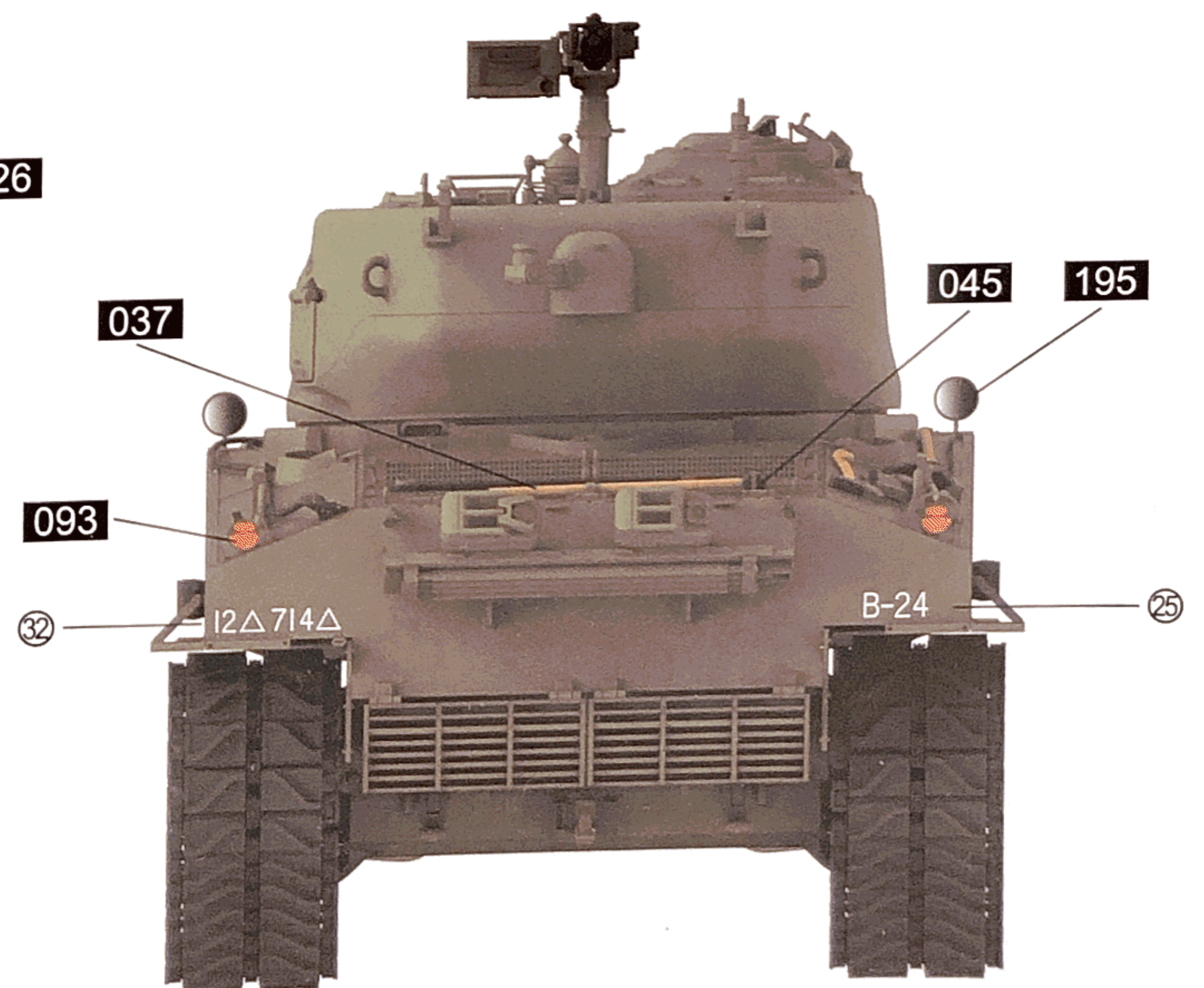
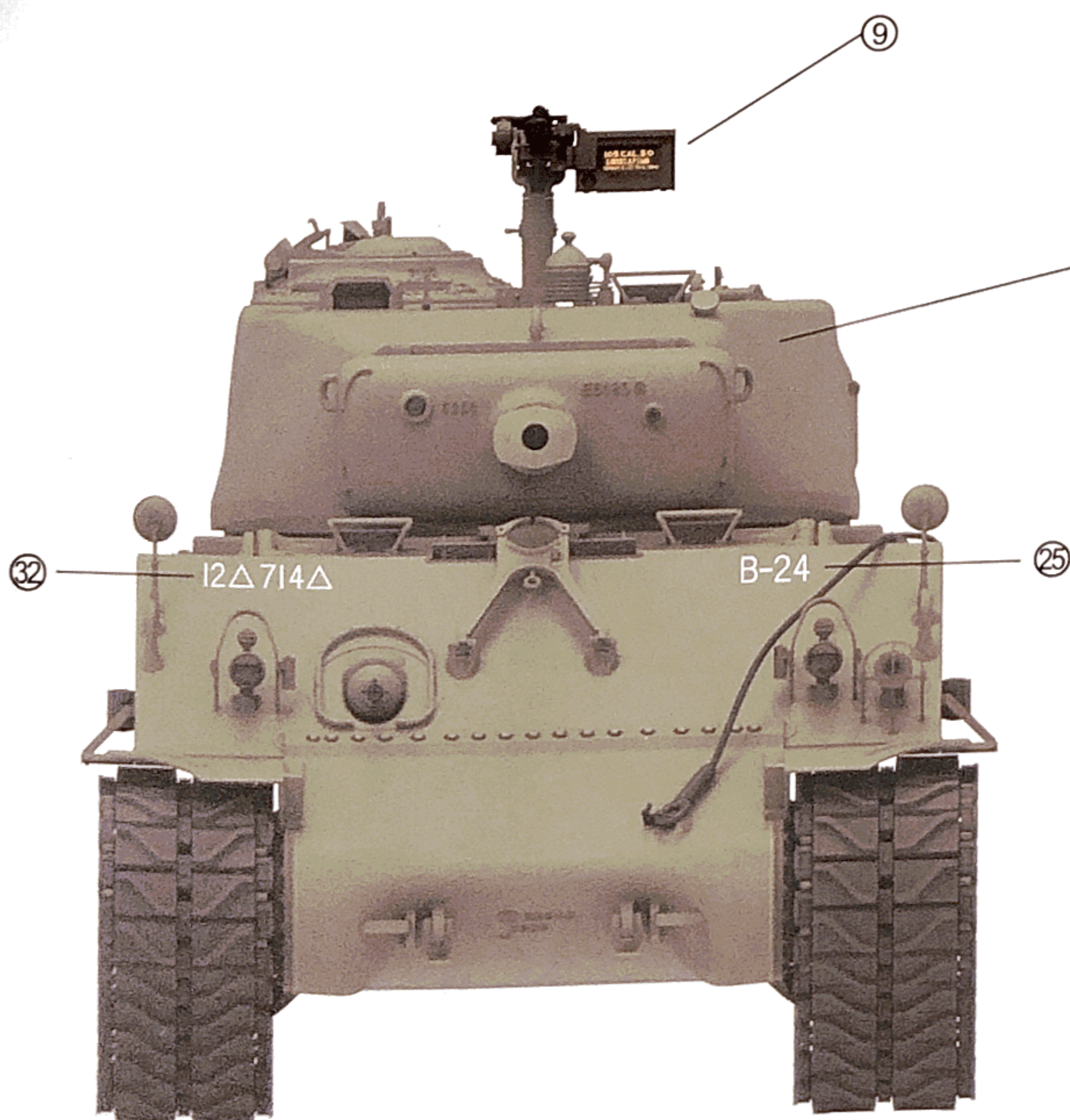
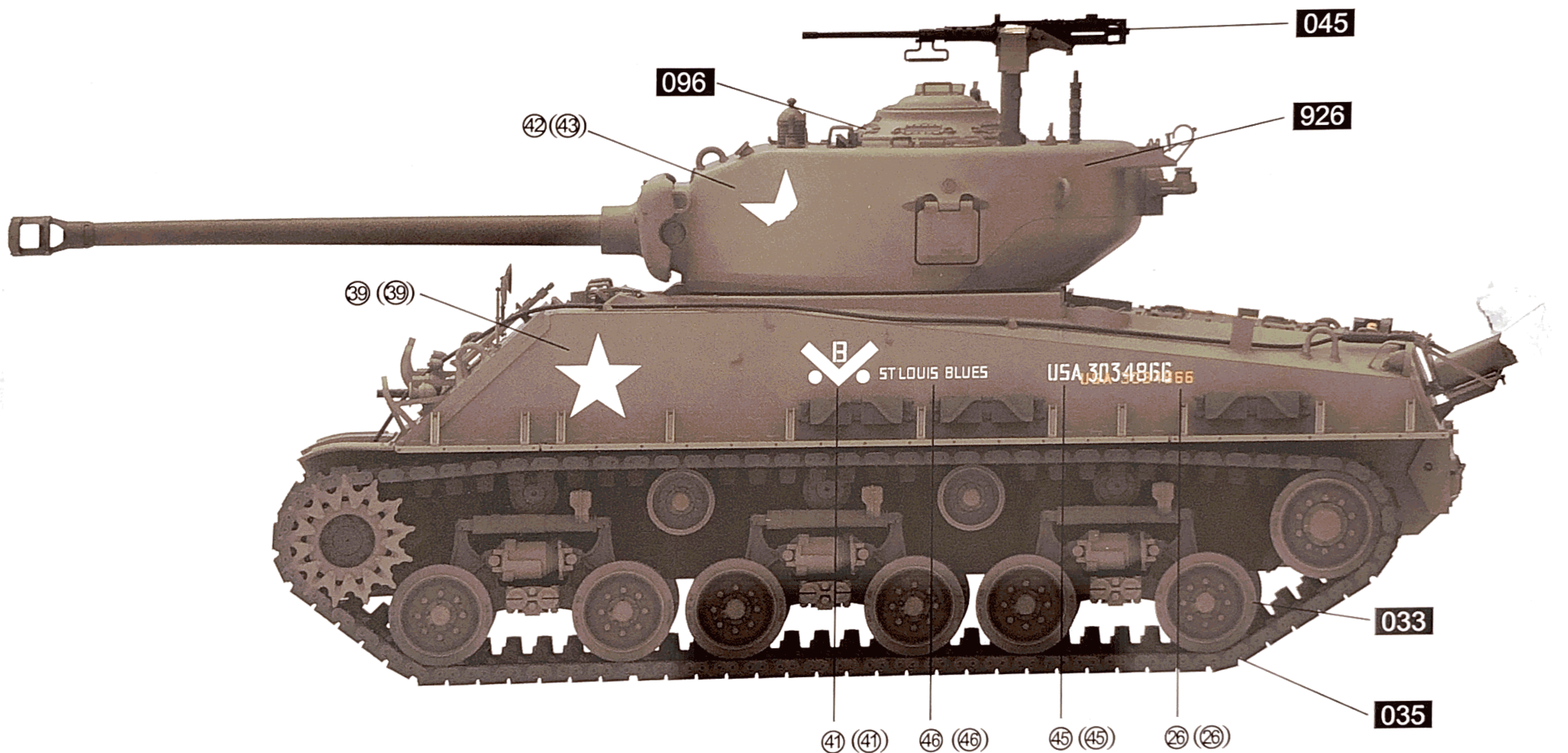
Painting and Marking Guide

www.migjimenez.com



 A.MIG 926 Olive Drab Base	 A.MIG 195 Silver	 A.MIG 094 Crystal Glass
 A.MIG 135 Cinnamon	 A.MIG 035 Dark Tracks	 A.MIG 093 Crystal Red
 A.MIG 033 Rubber & Tires	 A.MIG 045 Gun Metal	 A.MIG 037 New Wood
		 A.MIG 096 Crystal Periscope Green

14th Tank Battalion, Germany, Spring 1945
1945年春季, 德国境内, 第14坦克营



W/ WORKABLE TRACK LINKS
SHERMAN M4A3E8

A.MIG 094 Crystal Glass

www.migjimenez.com



A.MIG 926 Olive Drab Base

A.MIG 195 Silver

A.MIG 093 Crystal Red

A.MIG 135 Cinnamon

A.MIG 035 Dark Tracks

A.MIG 037 New Wood

A.MIG 033 Rubber & Tires

A.MIG 045 Gun Metal

A.MIG 096 Crystal Periscope Green

World War II, US Army, U.S.A 3033055.
This painting style is the same as in the movie "Fury"
二战，美军，U.S.A 3033055号车。电影《狂怒》涂装样式

