

Su-24MR Fencer-E

俄罗斯苏-24MR “击剑手” E

READ BEFORE ASSEMBLY:

- This kit is not recommended for inexperienced modelers or for children under 14 years of age
- Study and understand these instructions thoroughly before beginning assembly
- When needed, remove photo-etch parts carefully using a modeling knife or photo etch sprue cutter, being careful not to damage or lose small parts.
- Take extra care in handling photo etch parts in order to avoid injury
- Apply instant cement sparingly to photo etch parts where instructed

- Tools recommended(not included in kit):Plastic and instant cements,sprue cutters,long nose pliers,,modeling knife, small files, tweezers, pin vise & scissors. Soft cloth and sandpaper will also assist in construction
- Glue and paint are not included in the kit. Use plastic cement and hobby paints only. Color guide for purchasing paint is included in the kit.
- Keep out of reach of small children. They must not be allowed to ingest small parts or handle plastic bags in any way.

装配之前仔细阅读

- 小心用模型锉刀锉平所有零件表面的注射浇口。
- 小心用刀片切下蚀刻片零件，不要遗失小零件。
- 用强力快干胶水粘合蚀刻片零件和金属轴。过量的快干胶水使用可能导致可动零件会粘住，小心涂胶。
- 取蚀刻片时应特别注意安全，防止利边划伤手指。
- 某些零件表面需贴水上贴纸，请选择在装配的同时进行。
- 推荐模型工具(自备)：胶水，水口剪刀，长咀钳，刀片，锉刀，镊子钳，钻，剪刀，瞬间快干胶。
- 软布同砂纸同时也应该是必备工具。
- 请使用塑料胶水和油漆，模型内不含。
- 谨防小孩吮吮塑料零件，或者将塑料袋套在头上，制作时应将套材远离小孩接触。
- 本产品不适合14岁以下没有经验的模型爱好者。

水贴纸的使用:

1. 从水贴纸上剪下印花;
2. 将印花放入温水中浸10秒，然后放在干净布上。
3. 拿着印花纸板将印花移到模型上;
4. 手指蘸水将印花移到适当的位置;
5. 用软布轻压印花直至水干，气泡消失。

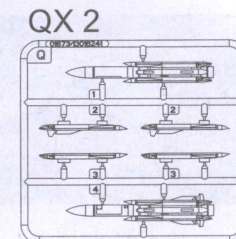
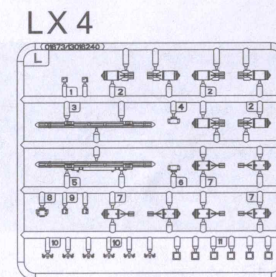
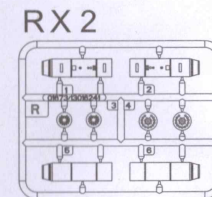
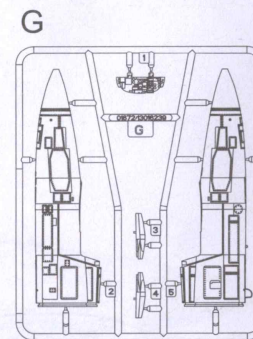
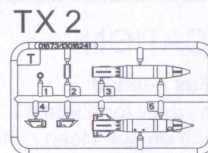
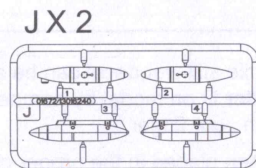
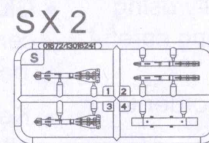
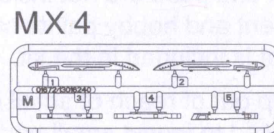
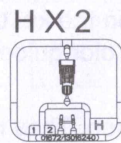
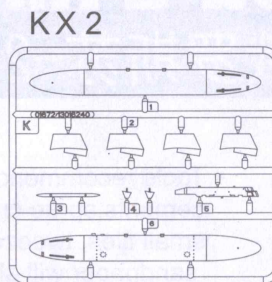
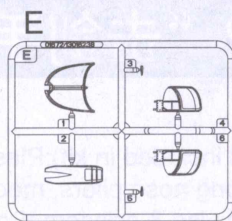
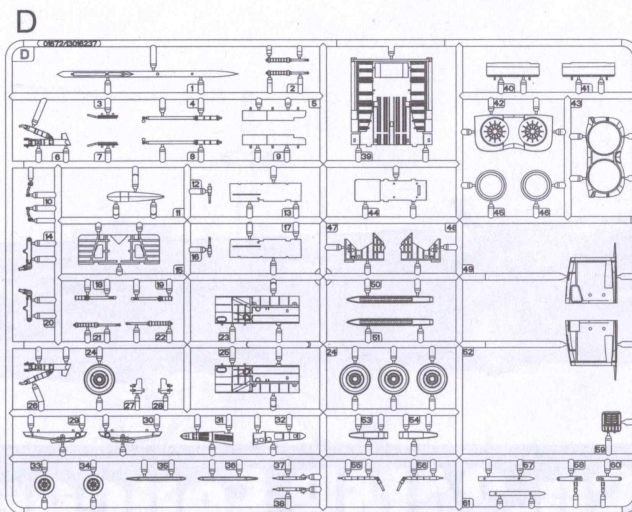
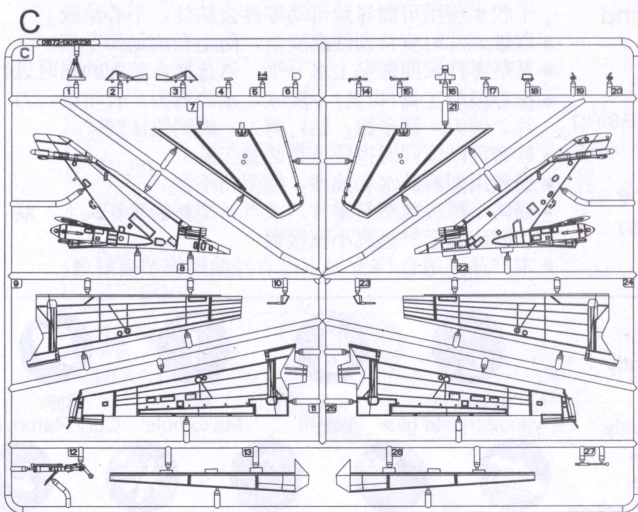
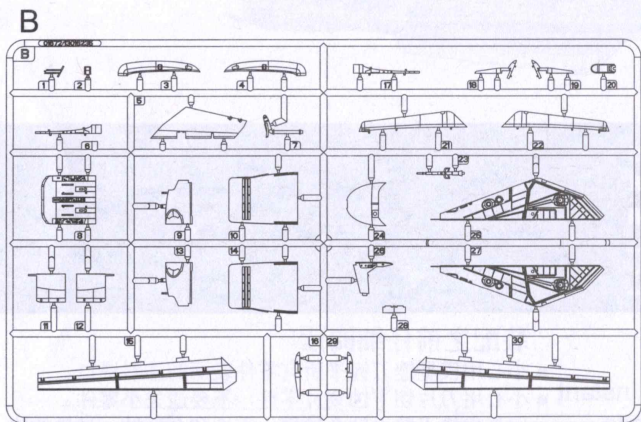
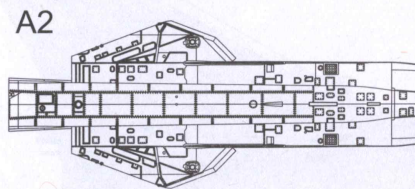
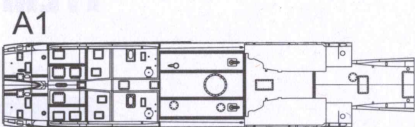
DECAL APPLICATION:

1. Cut decals from sheet as needed
2. Dip the decal in warm water for about 10 seconds and then place on soft clean cloth.
3. Hold the decal backing sheet edge and gently slide the decal onto the model in its proper position.

4. While still wet, decal can be adjusted for better fit on model by dampening it gently with your finger.
5. When placed in the proper position, gently press decal down with a soft cloth until excess water and air bubbles are gone.
6. Allow decal to dry completely before handling model

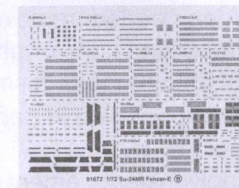
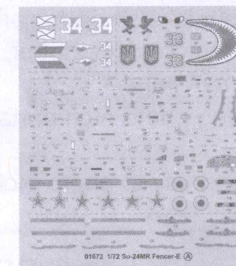


部品图
Parts



《水贴》A
Decal

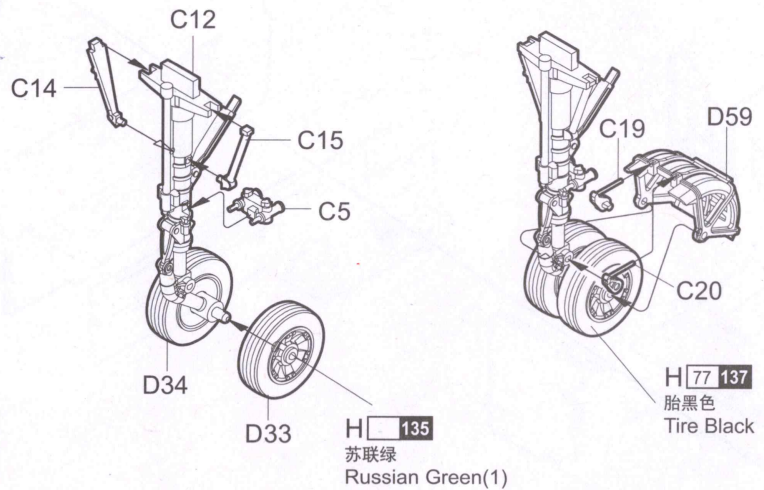
《水贴》B
Decal



不用的部件: C6、C17
Unused parts

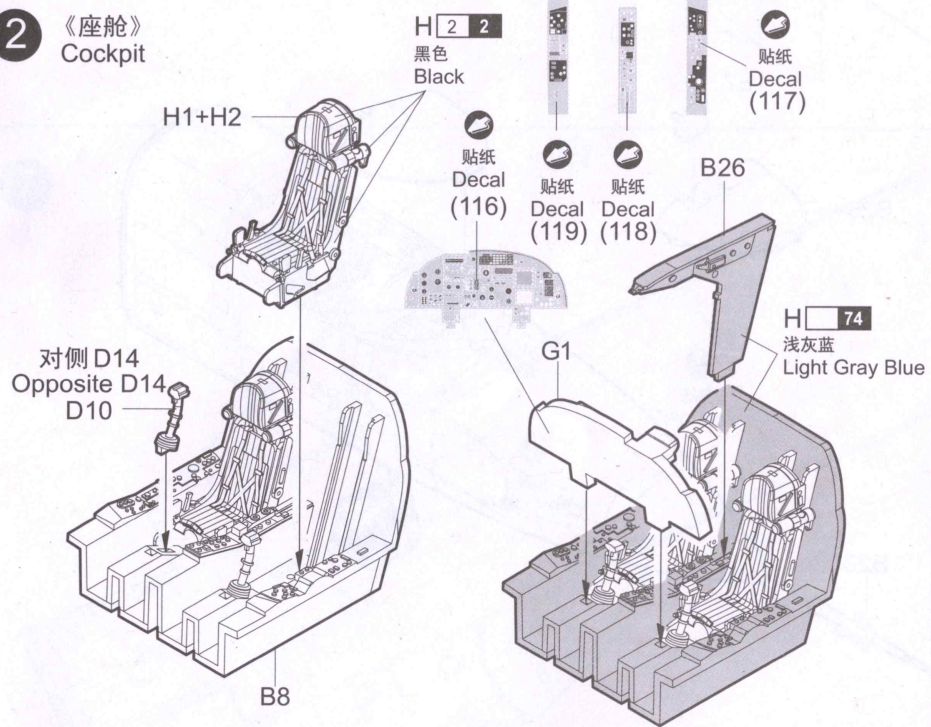
1

《前起落架》
Nose undercarriage

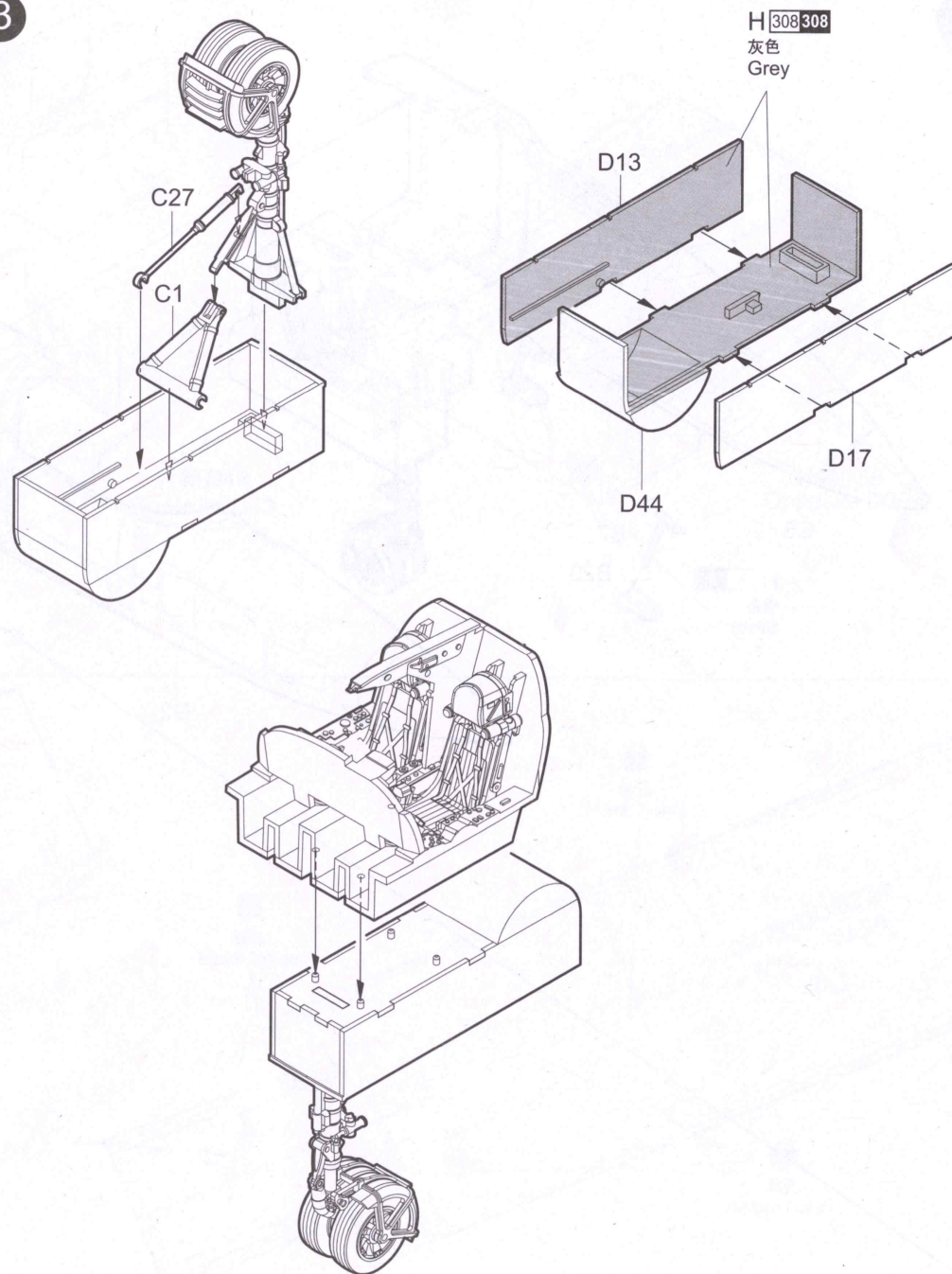


2

《座舱》
Cockpit

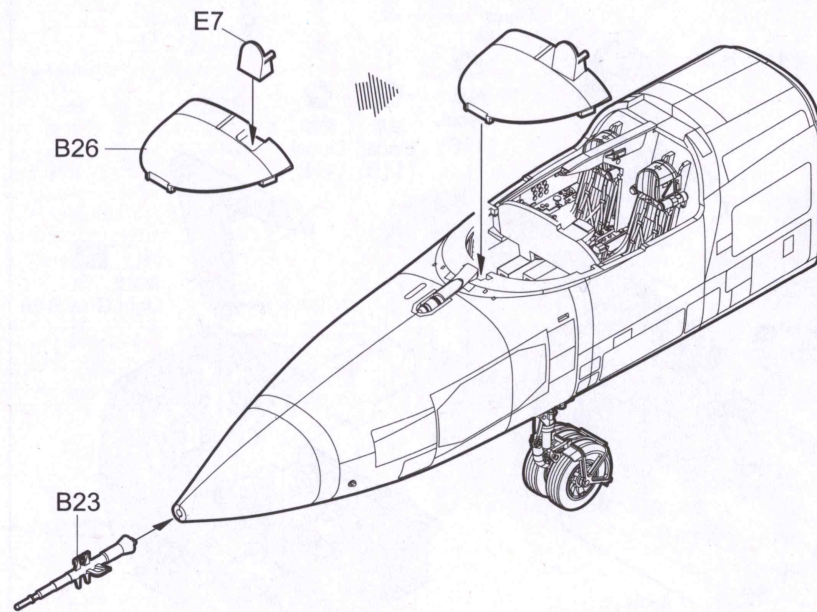
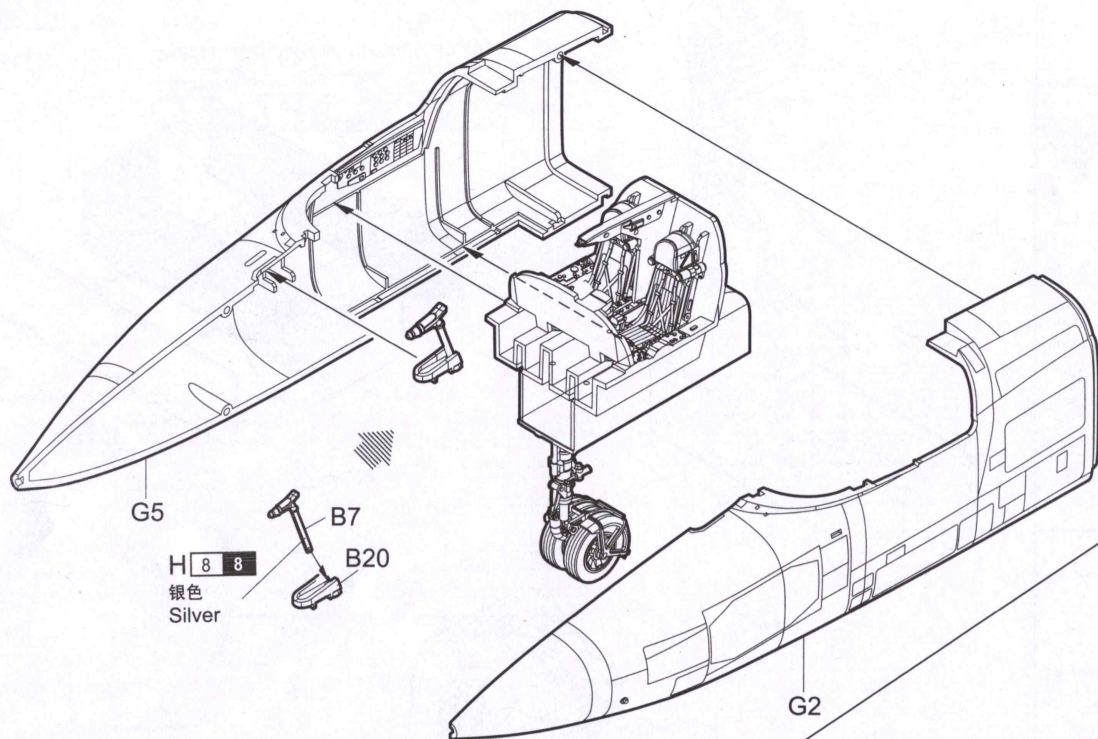


3

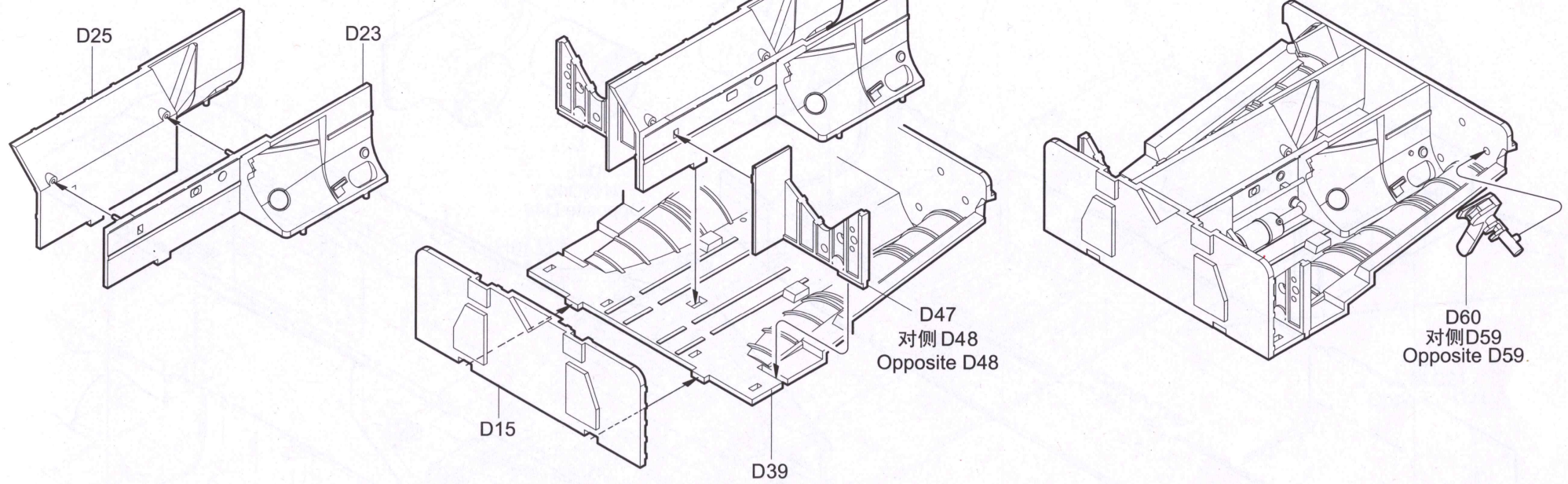


4

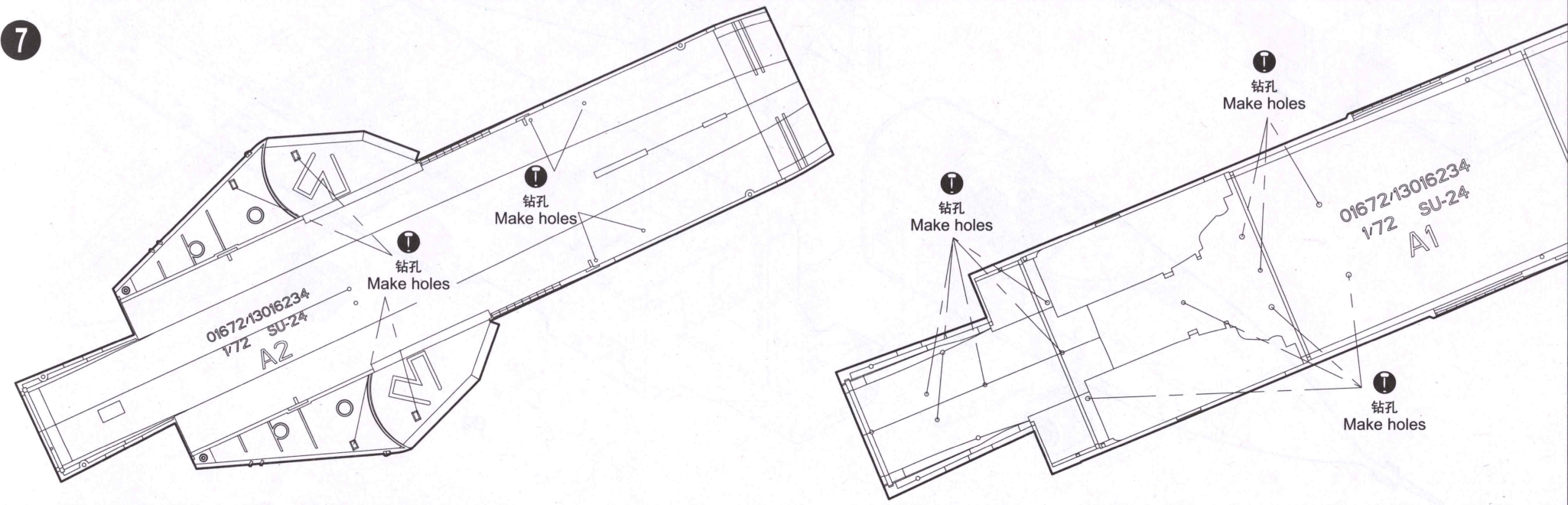
5

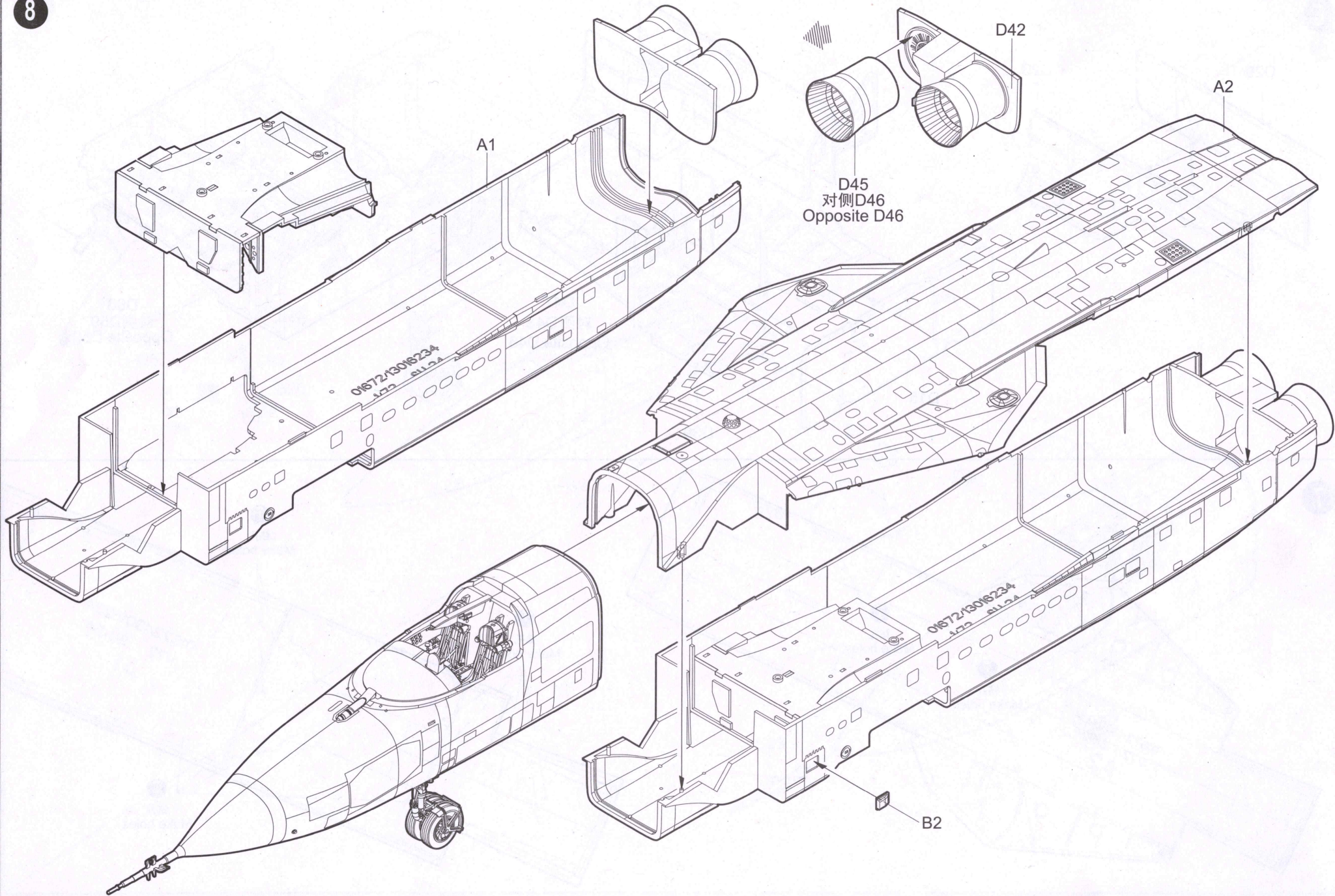


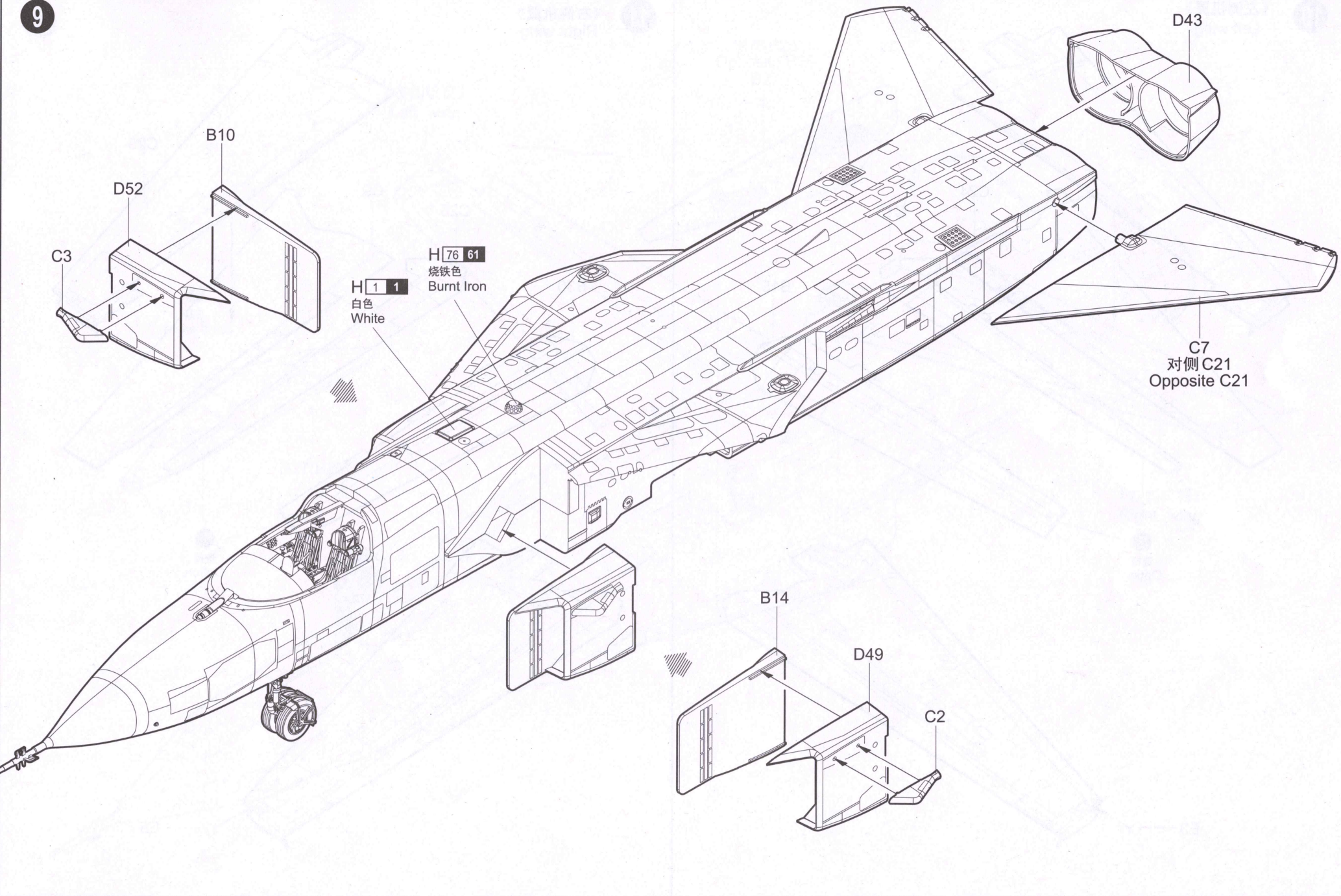
6



7







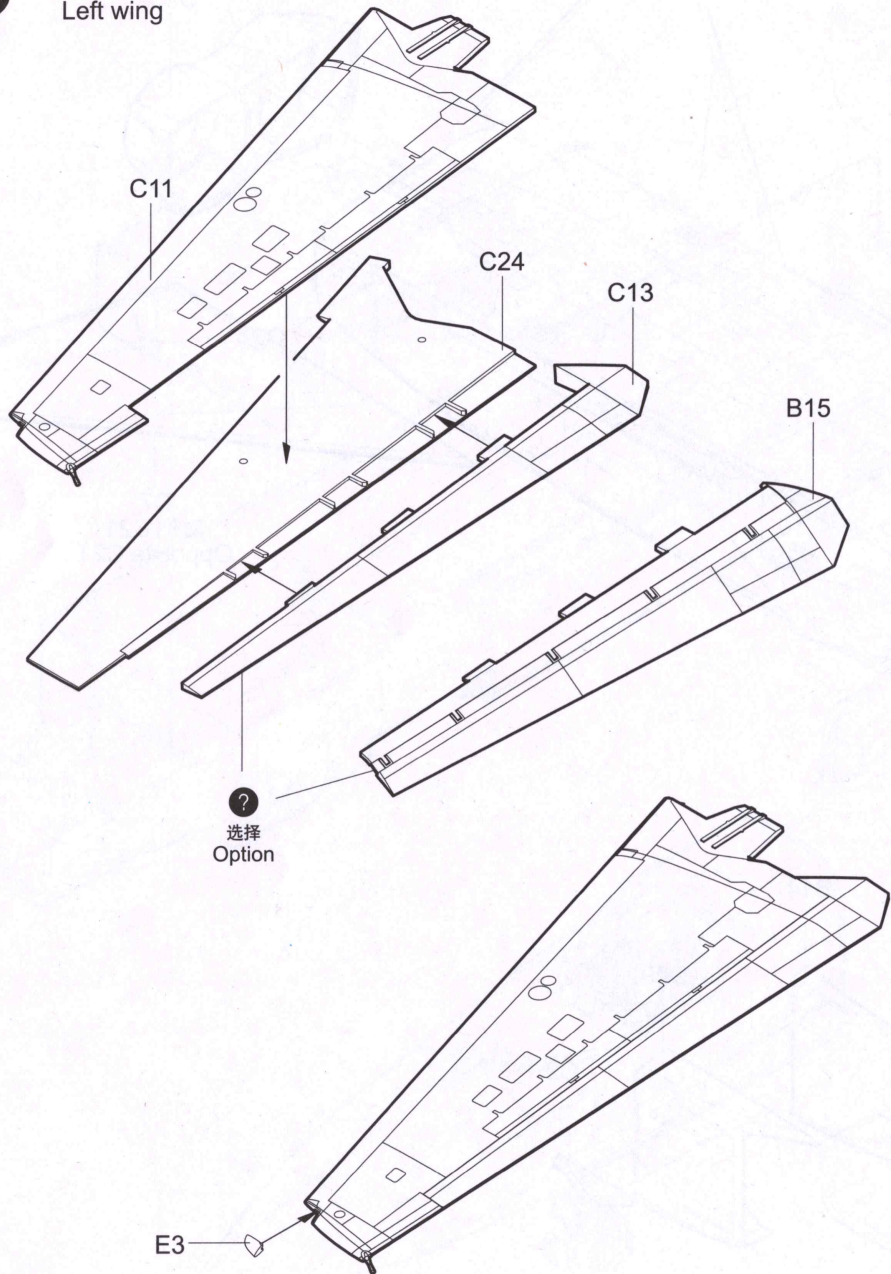
H 76 61
烧铁色
Burnt Iron

H 1 1
白色
White

C7
对侧 C21
Opposite C21

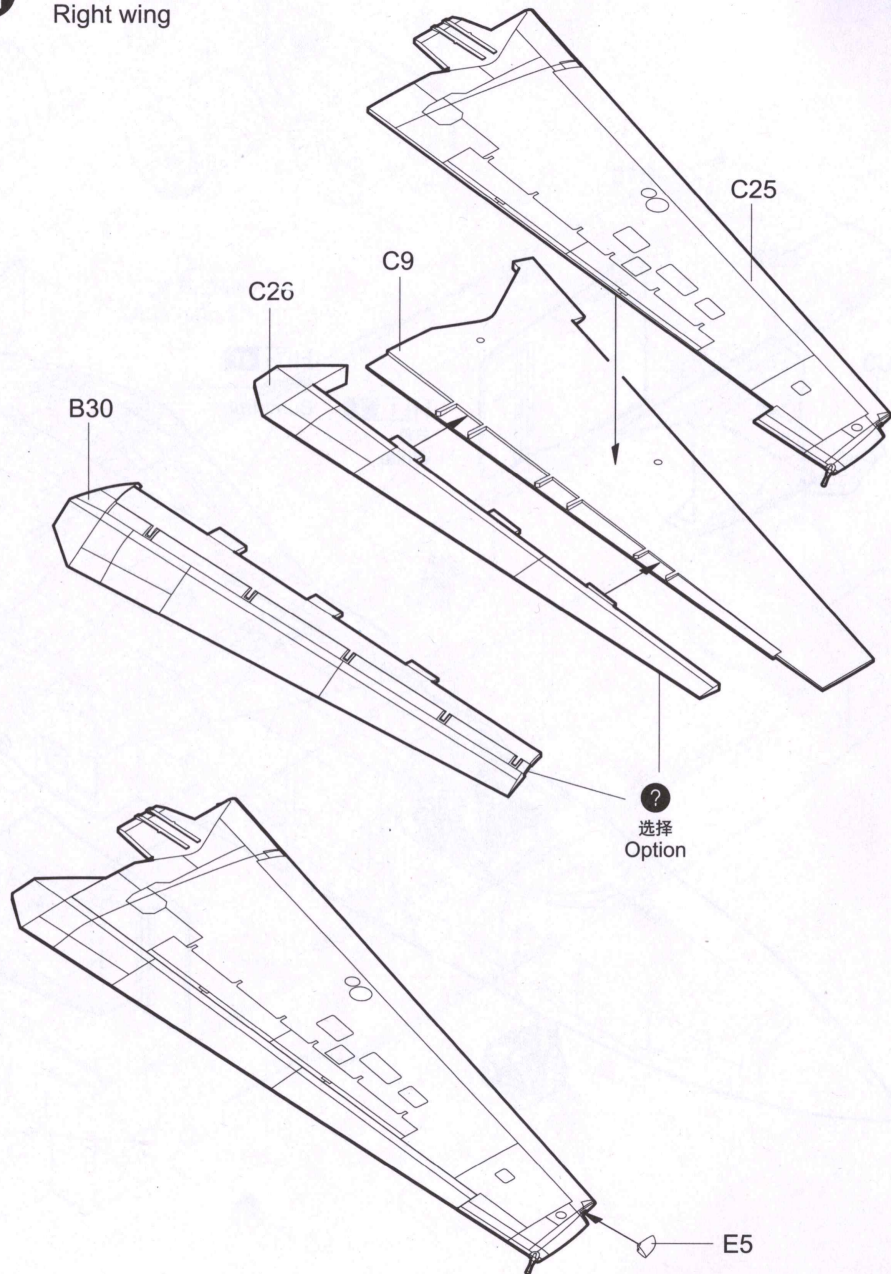
10

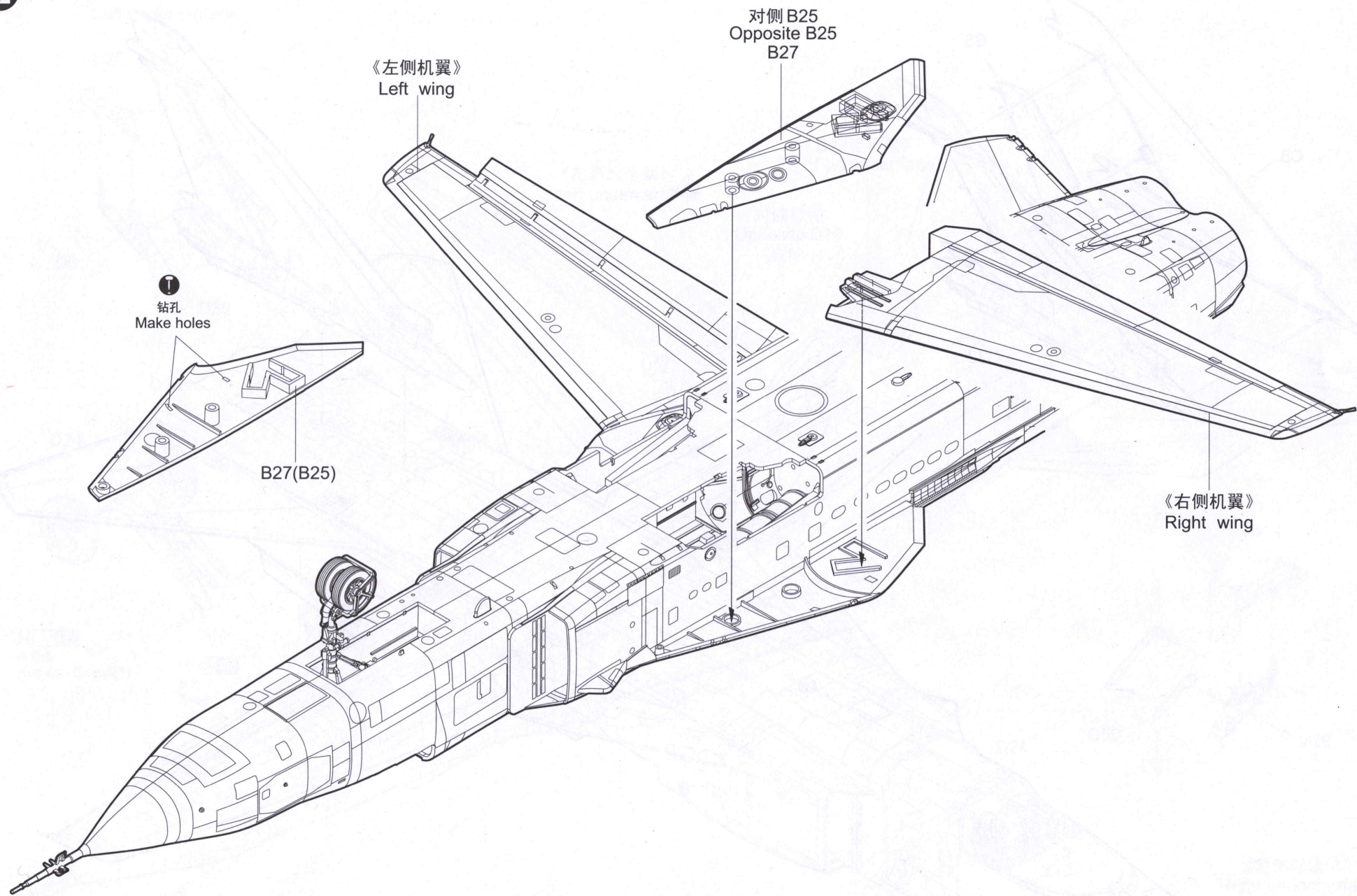
《左侧机翼》
Left wing

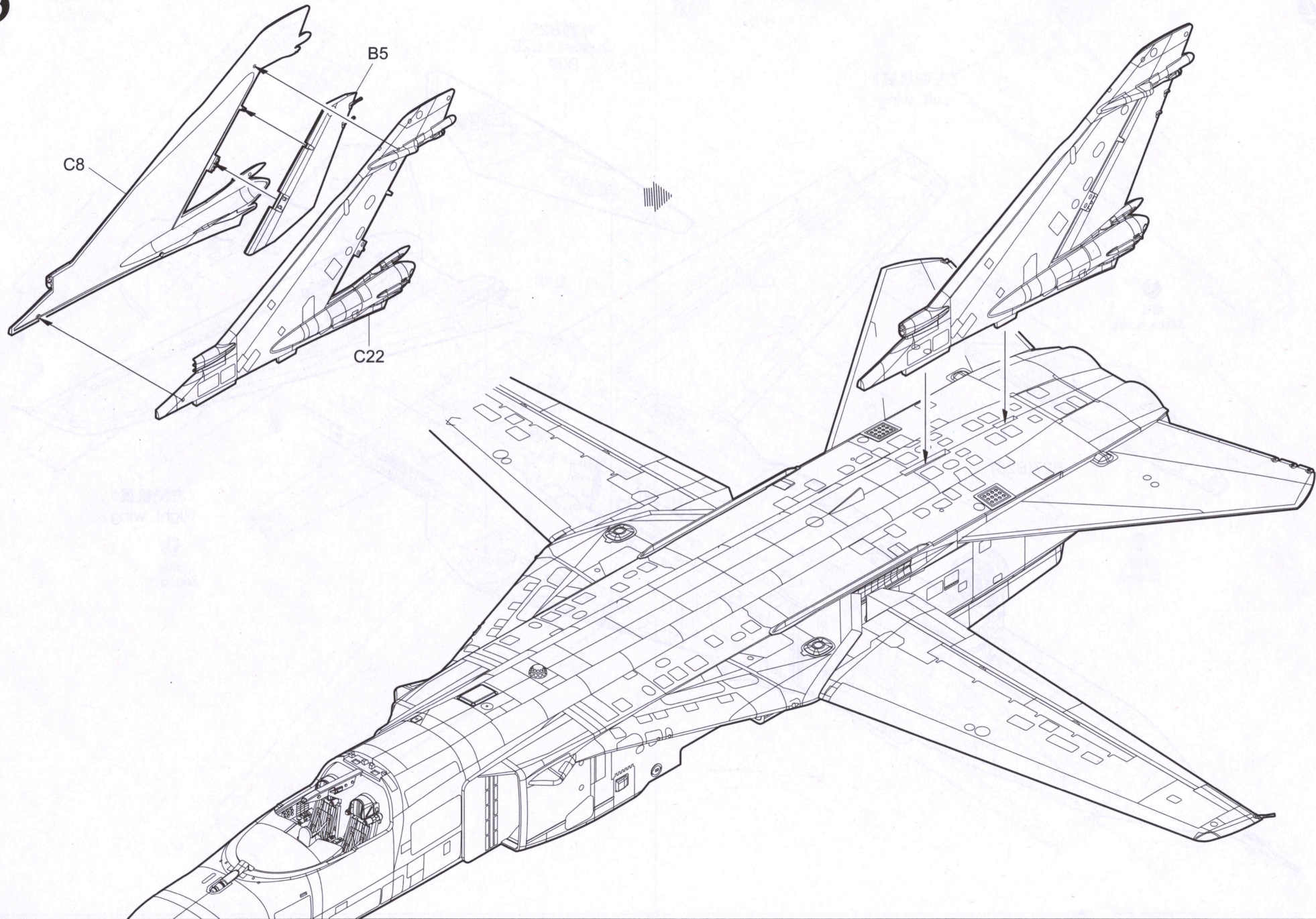


11

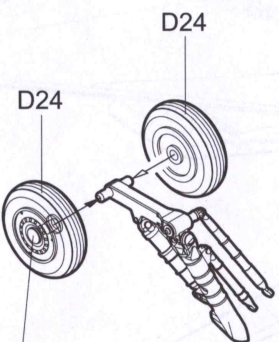
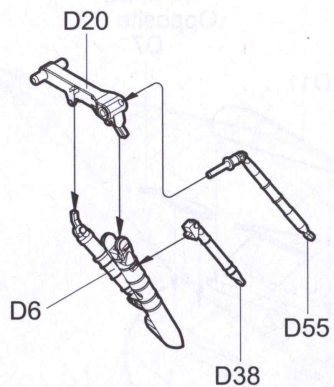
《右侧机翼》
Right wing







《左侧起落架》
Left undercarriage



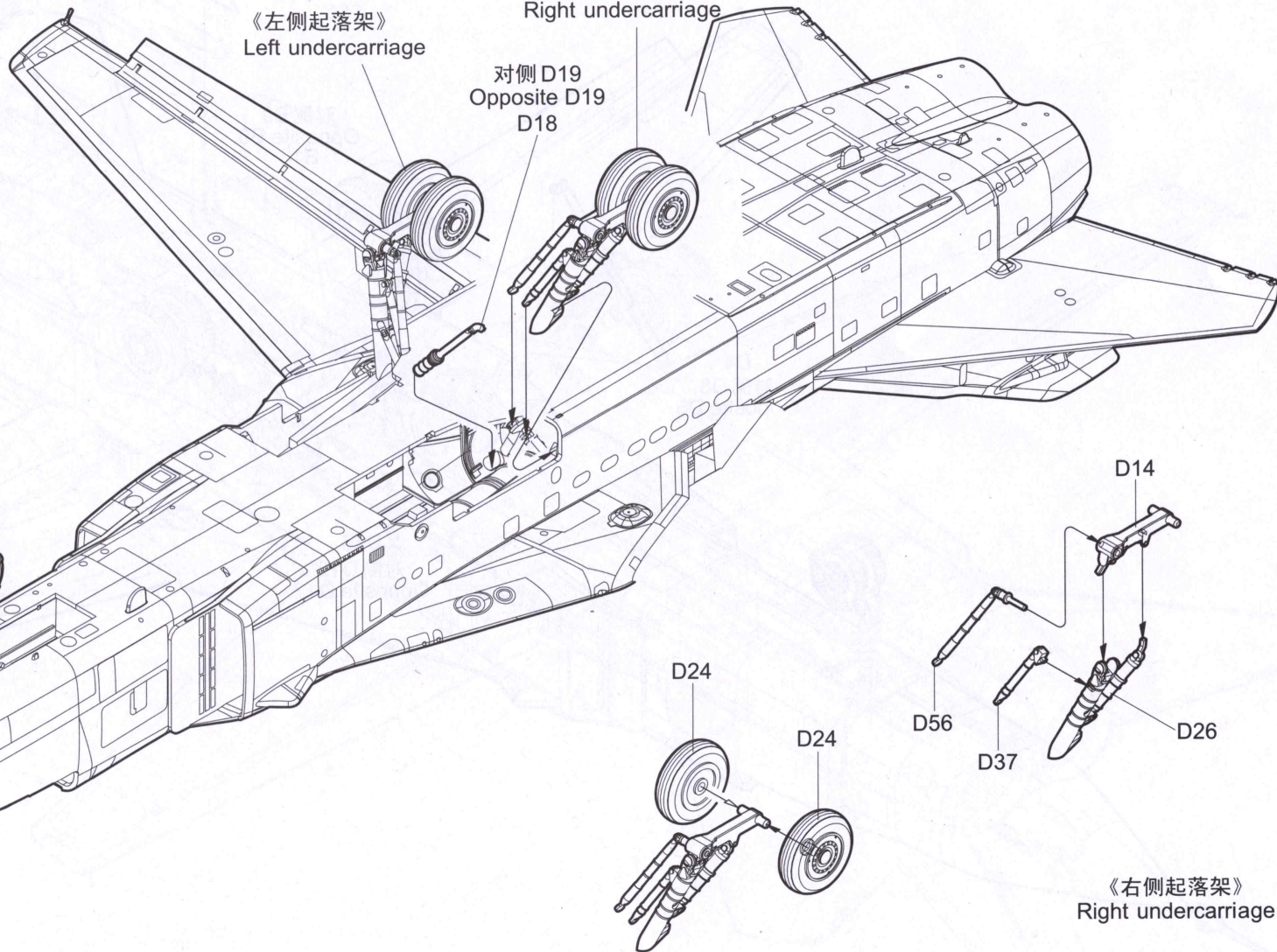
H 135
苏联绿
Russian Green(1)

H 303 308
灰色
Grey

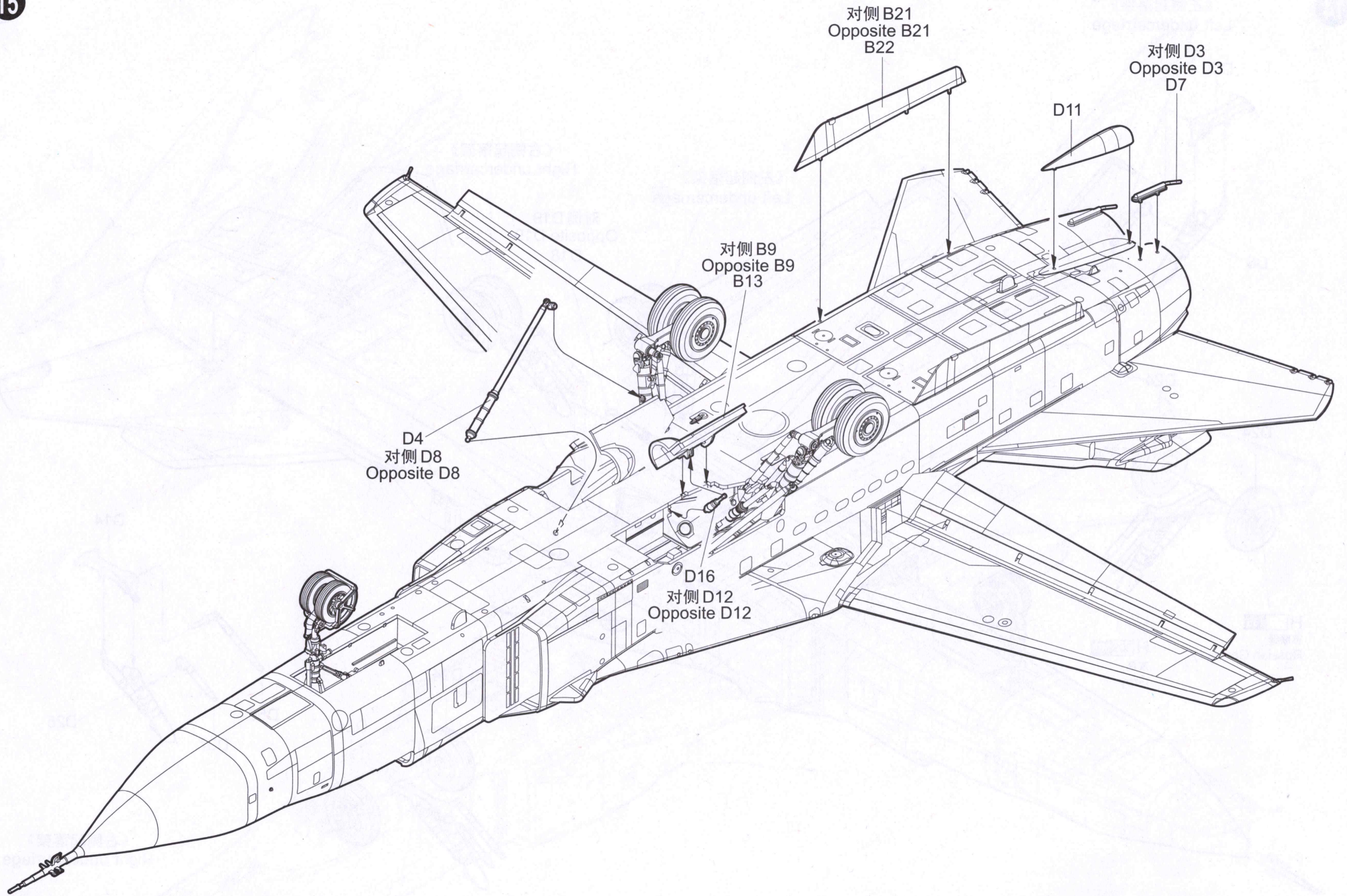
《左侧起落架》
Left undercarriage

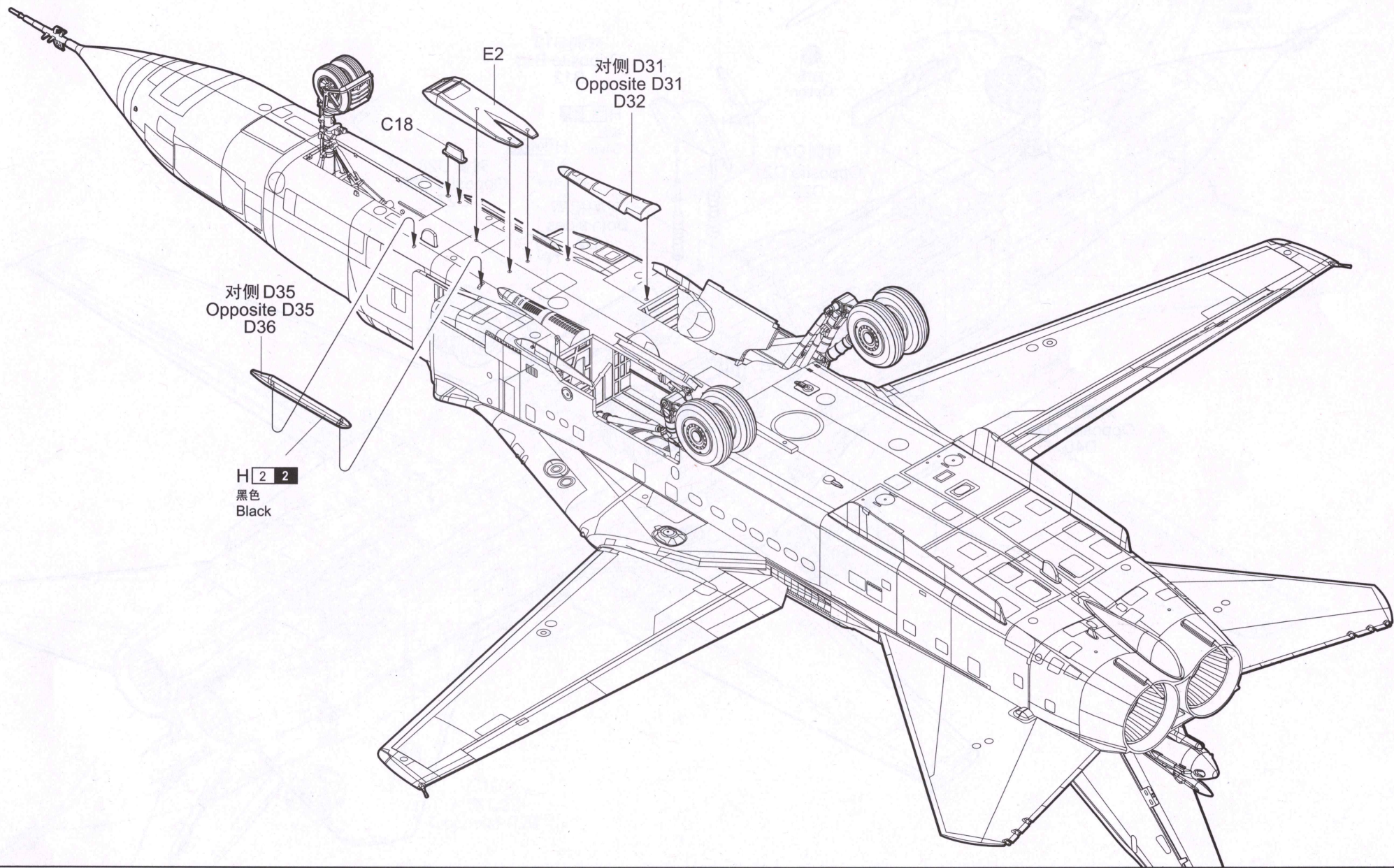
《右侧起落架》
Right undercarriage

对侧 D19
Opposite D19
D18



《右侧起落架》
Right undercarriage





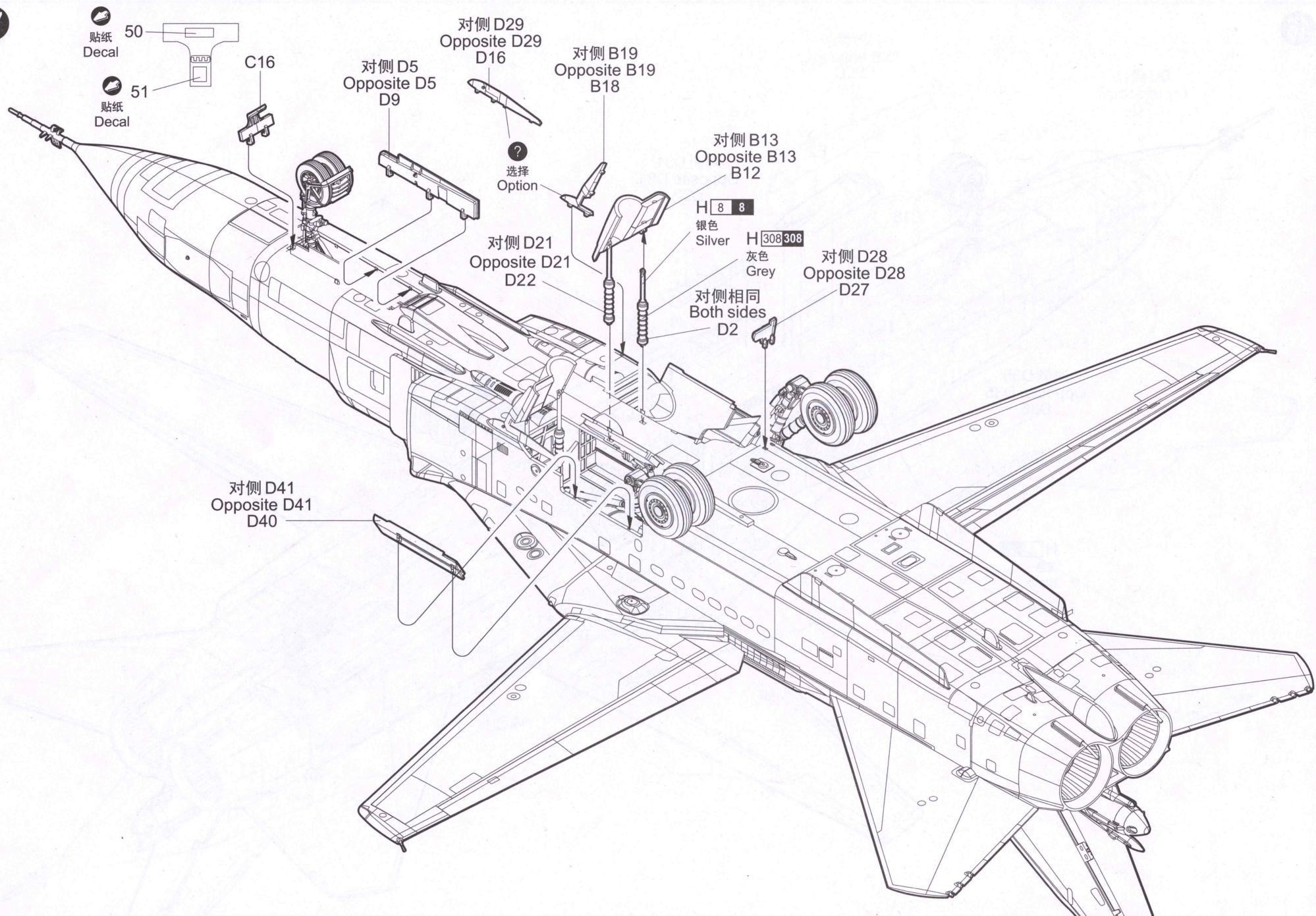
对侧 D35
Opposite D35
D36

H 2 2
黑色
Black

对侧 D31
Opposite D31
D32

E2

C18



50
贴纸
Decal

51
贴纸
Decal

C16

对侧 D5
Opposite D5
D9

对侧 D29
Opposite D29
D16

对侧 B19
Opposite B19
B18

选择
Option

对侧 B13
Opposite B13
B12

H 8 8
银色
Silver

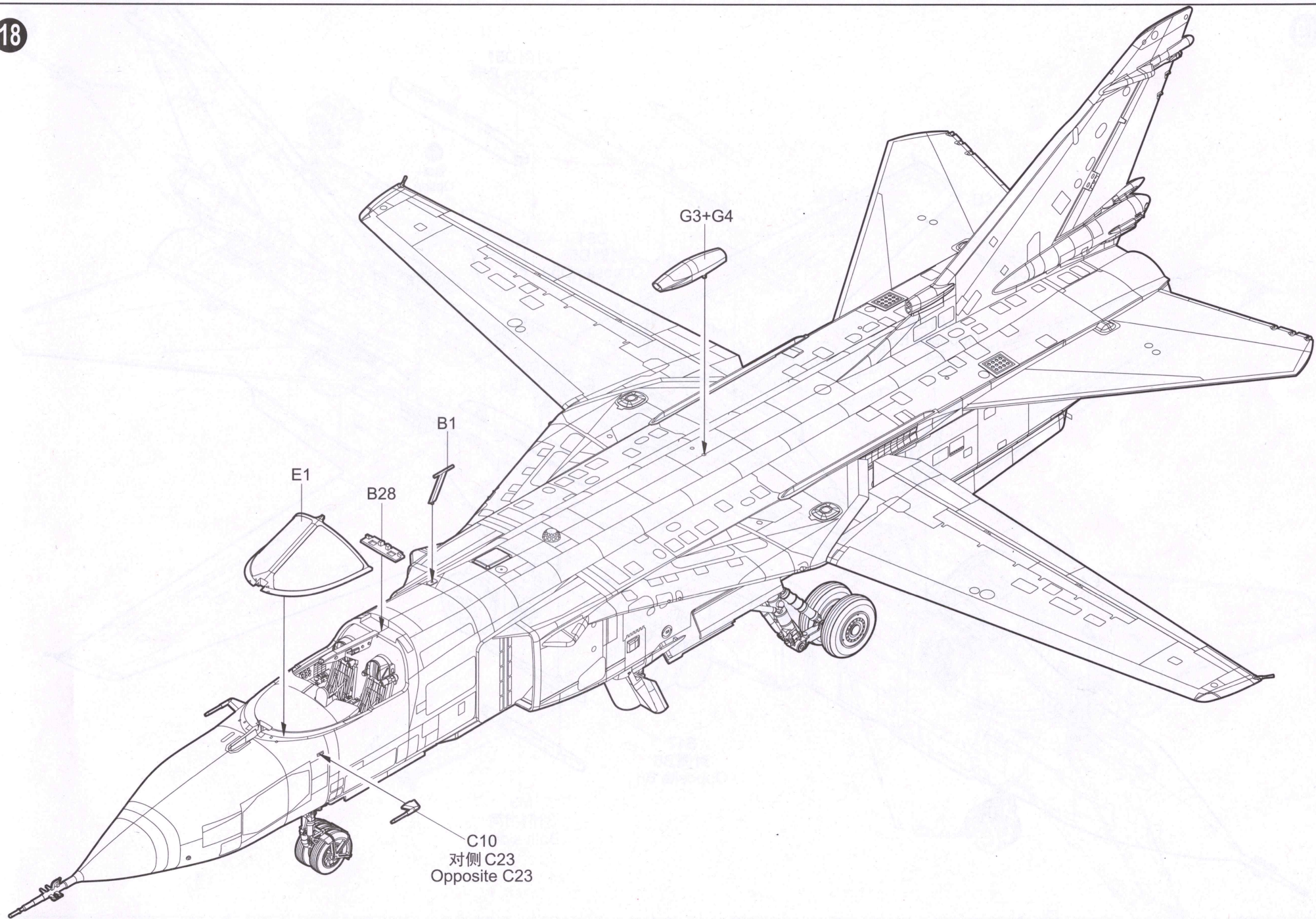
H 308 308
灰色
Grey

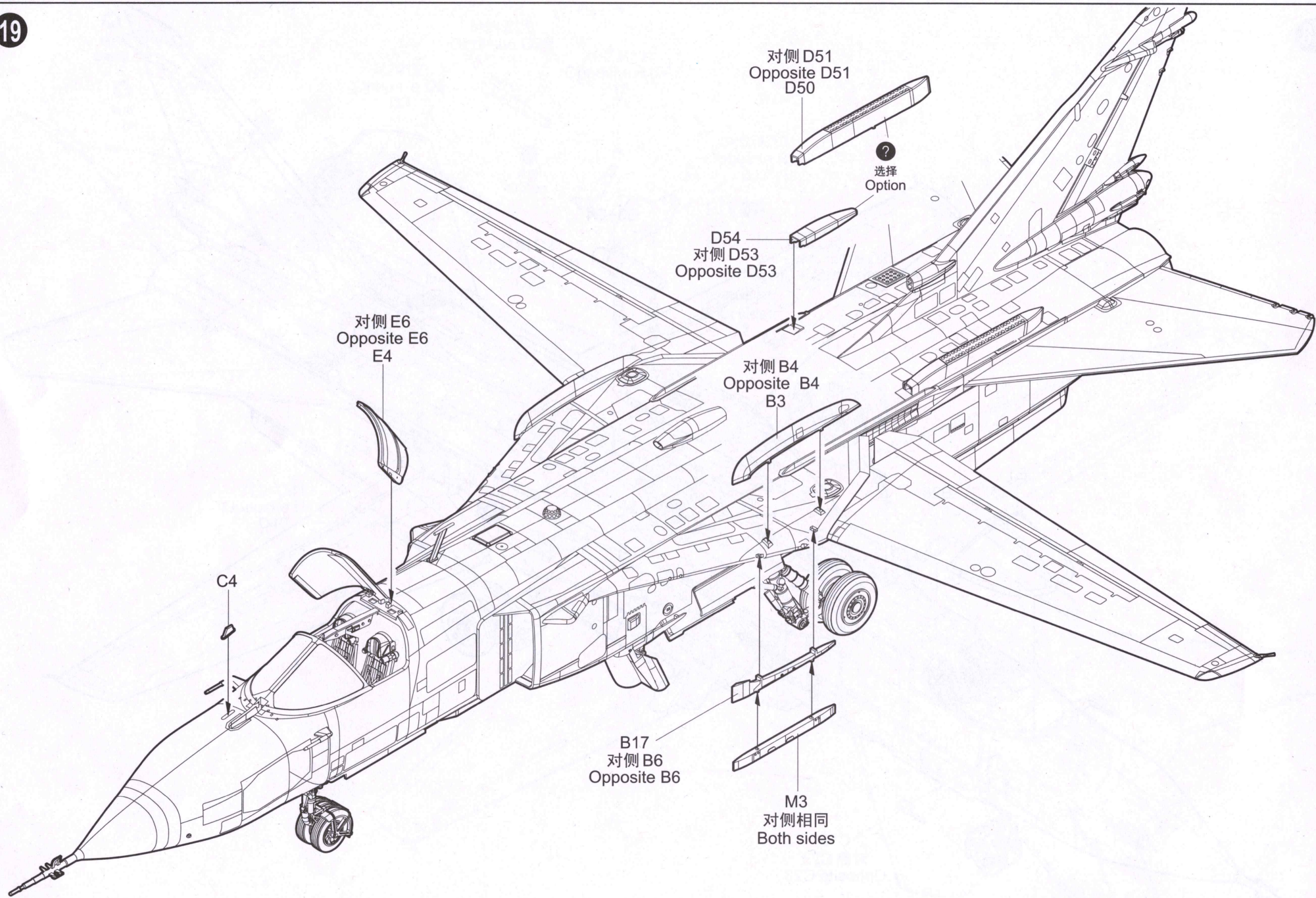
对侧 D21
Opposite D21
D22

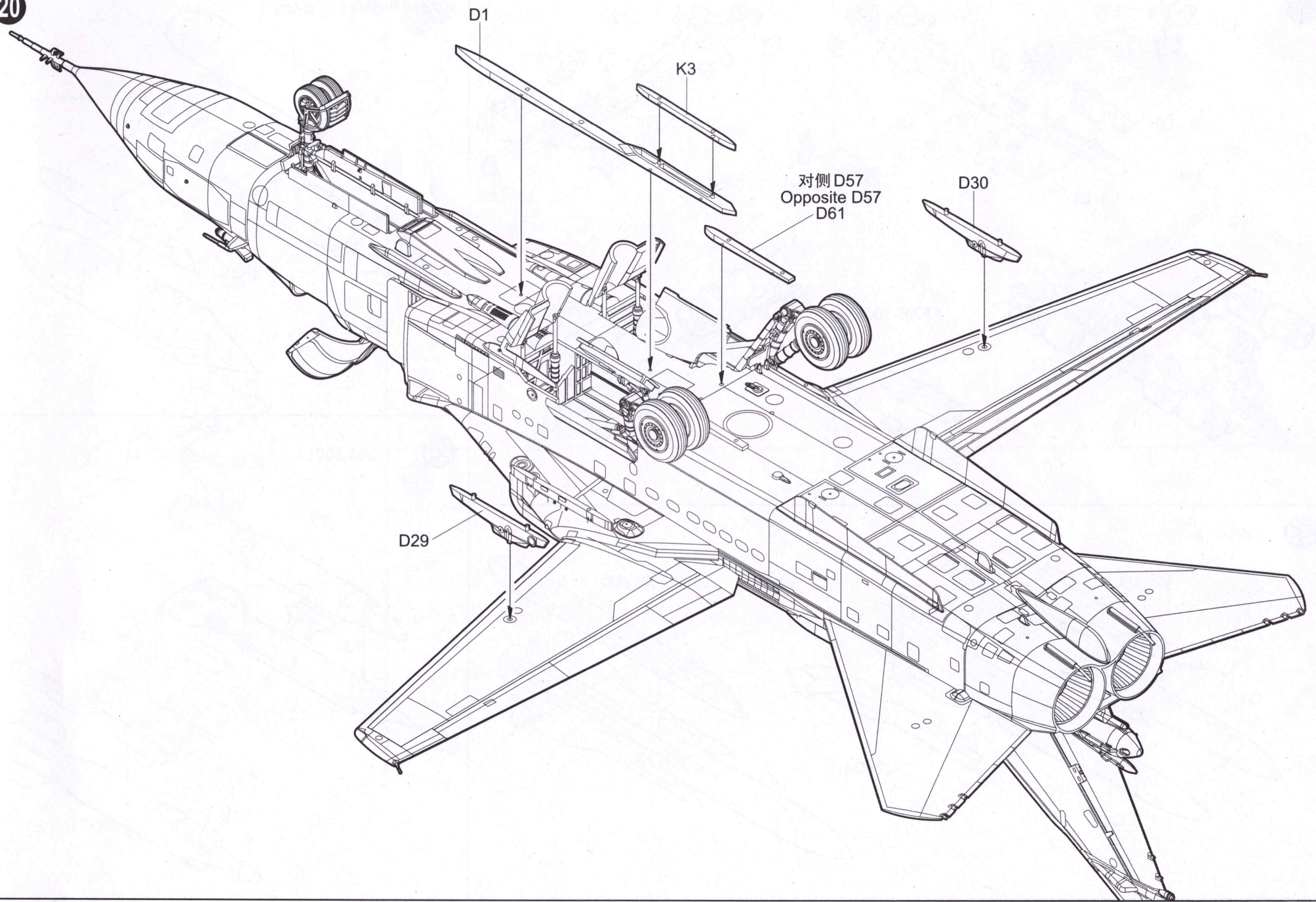
对侧相同
Both sides
D2

对侧 D28
Opposite D28
D27

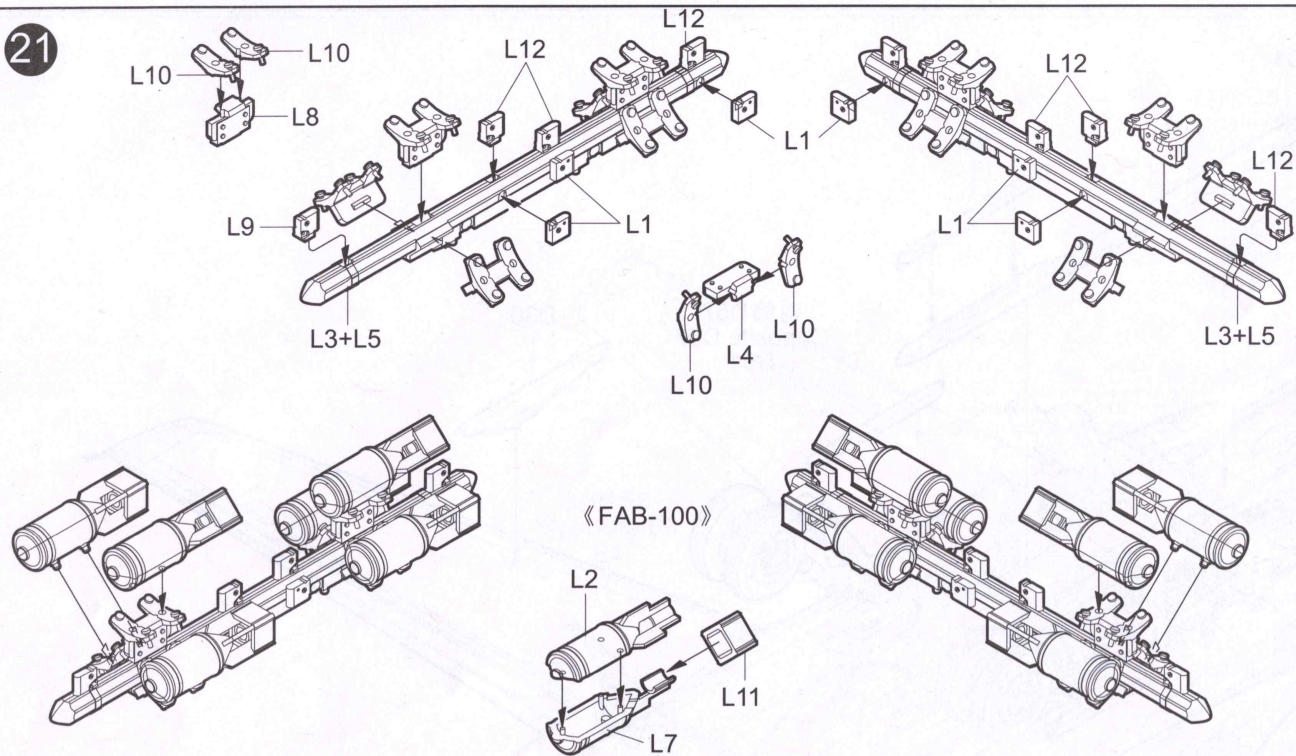
对侧 D41
Opposite D41
D40





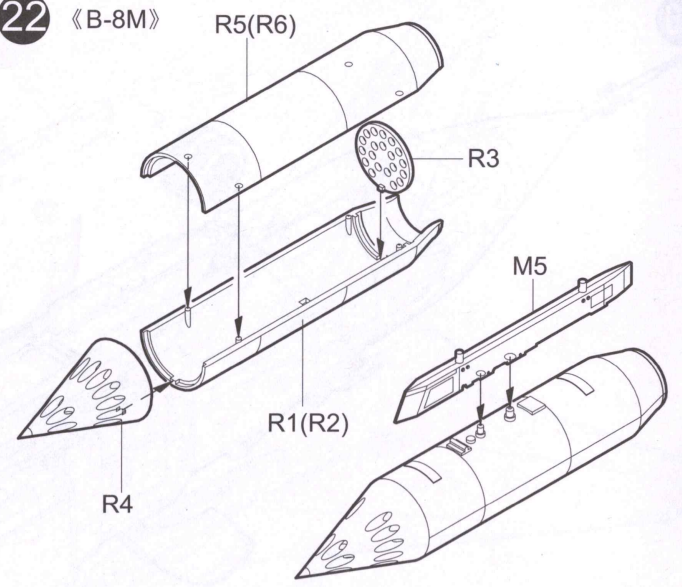


21



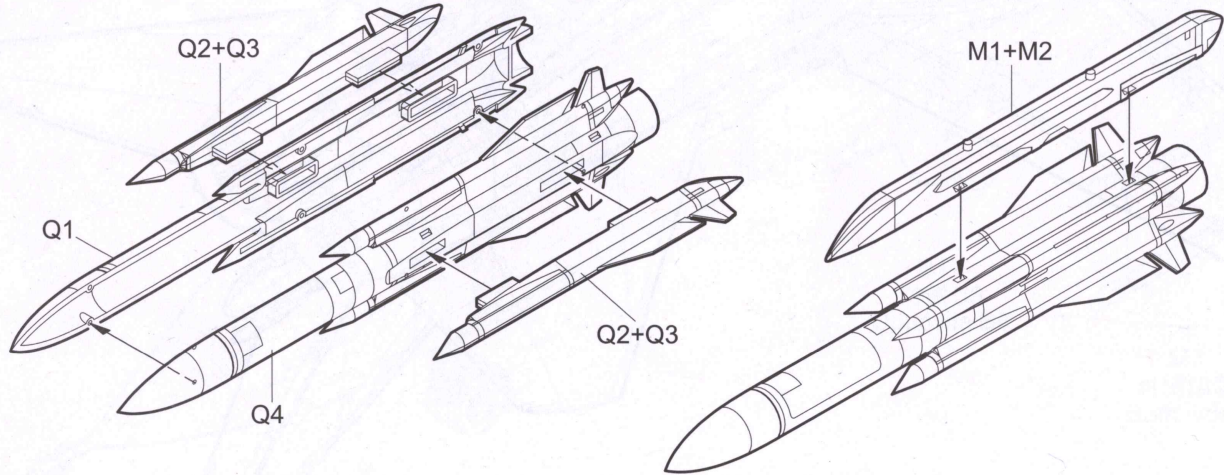
22

«B-8M»



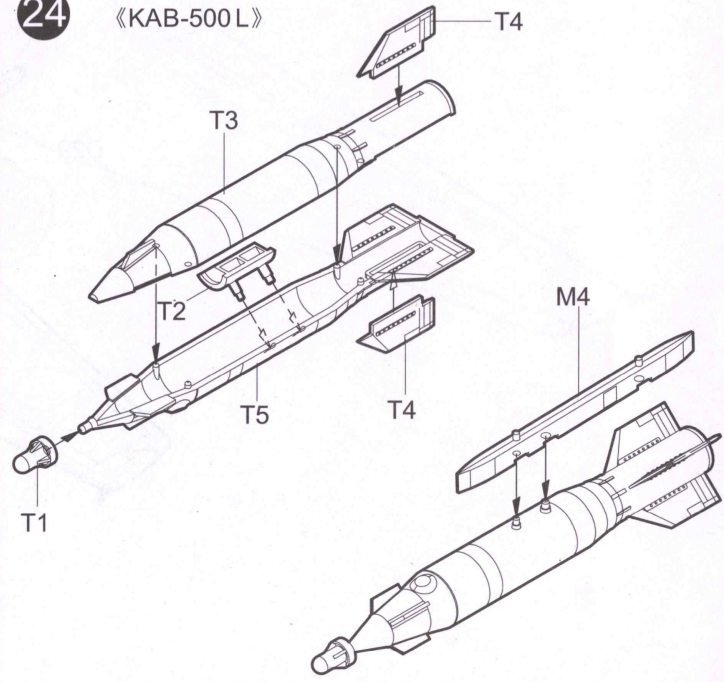
23

«KH-31»



24

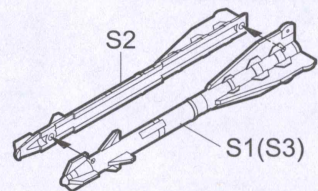
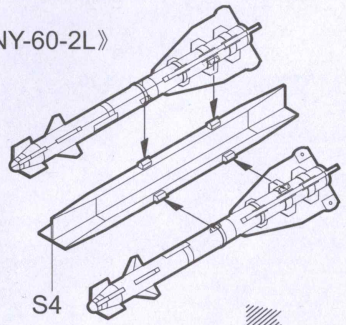
«KAB-500L»



25

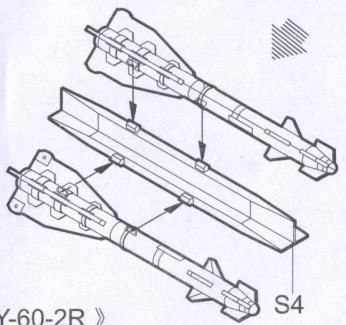
《R-60》

《ANY-60-2L》



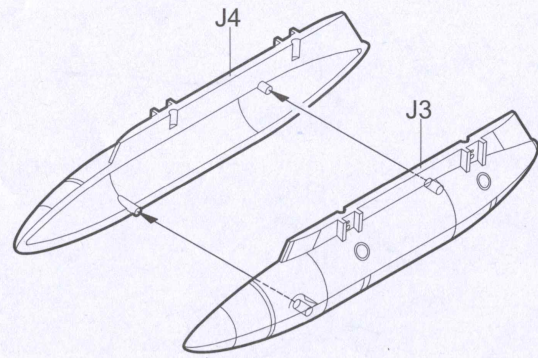
制作四组
Make Four

《ANY-60-2R》



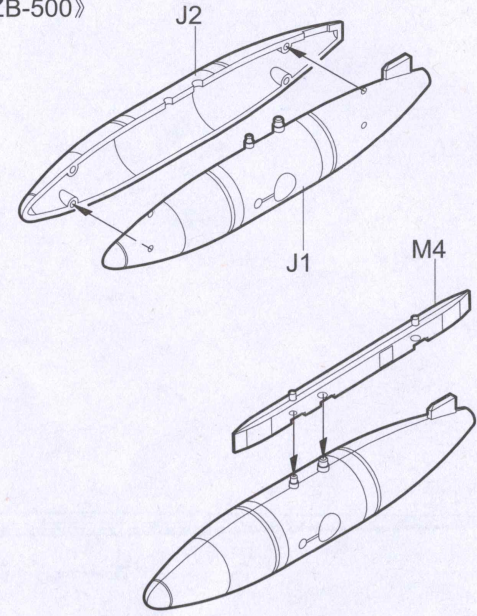
26

《PTB-2000》



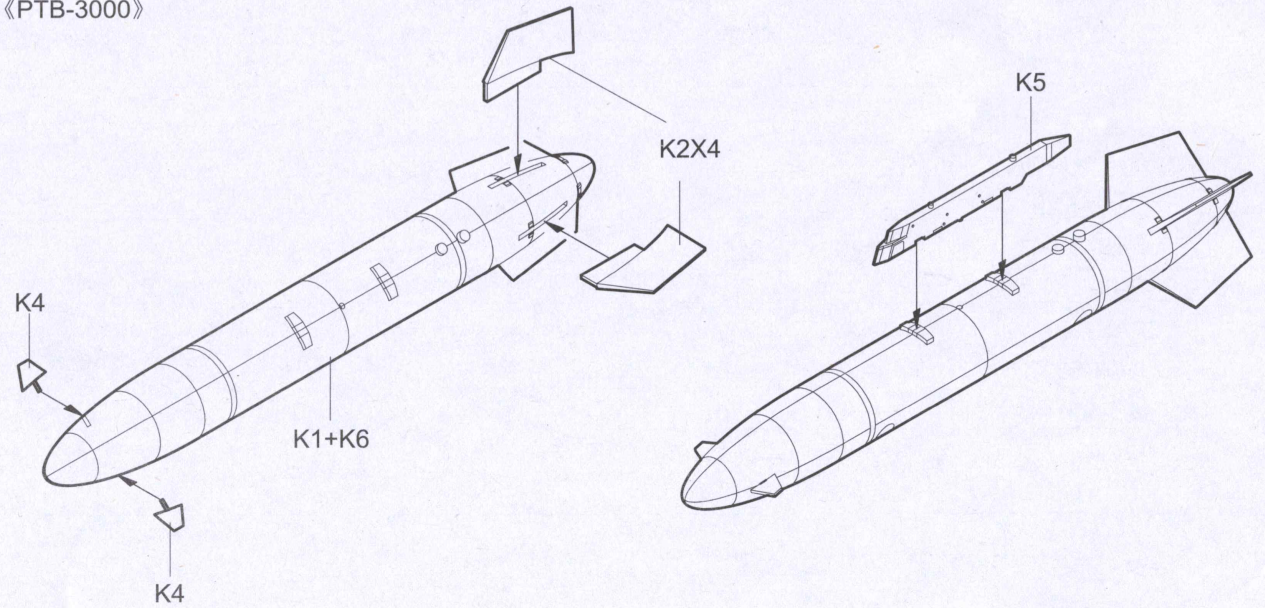
27

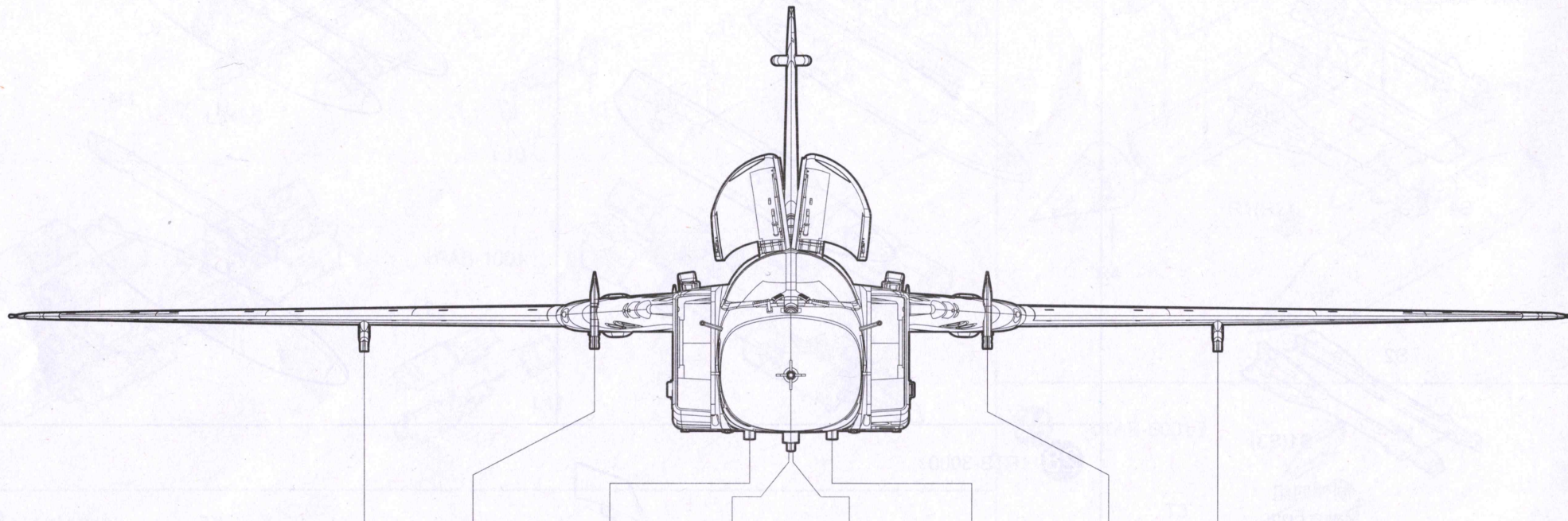
《ZB-500》



28

《PTB-3000》

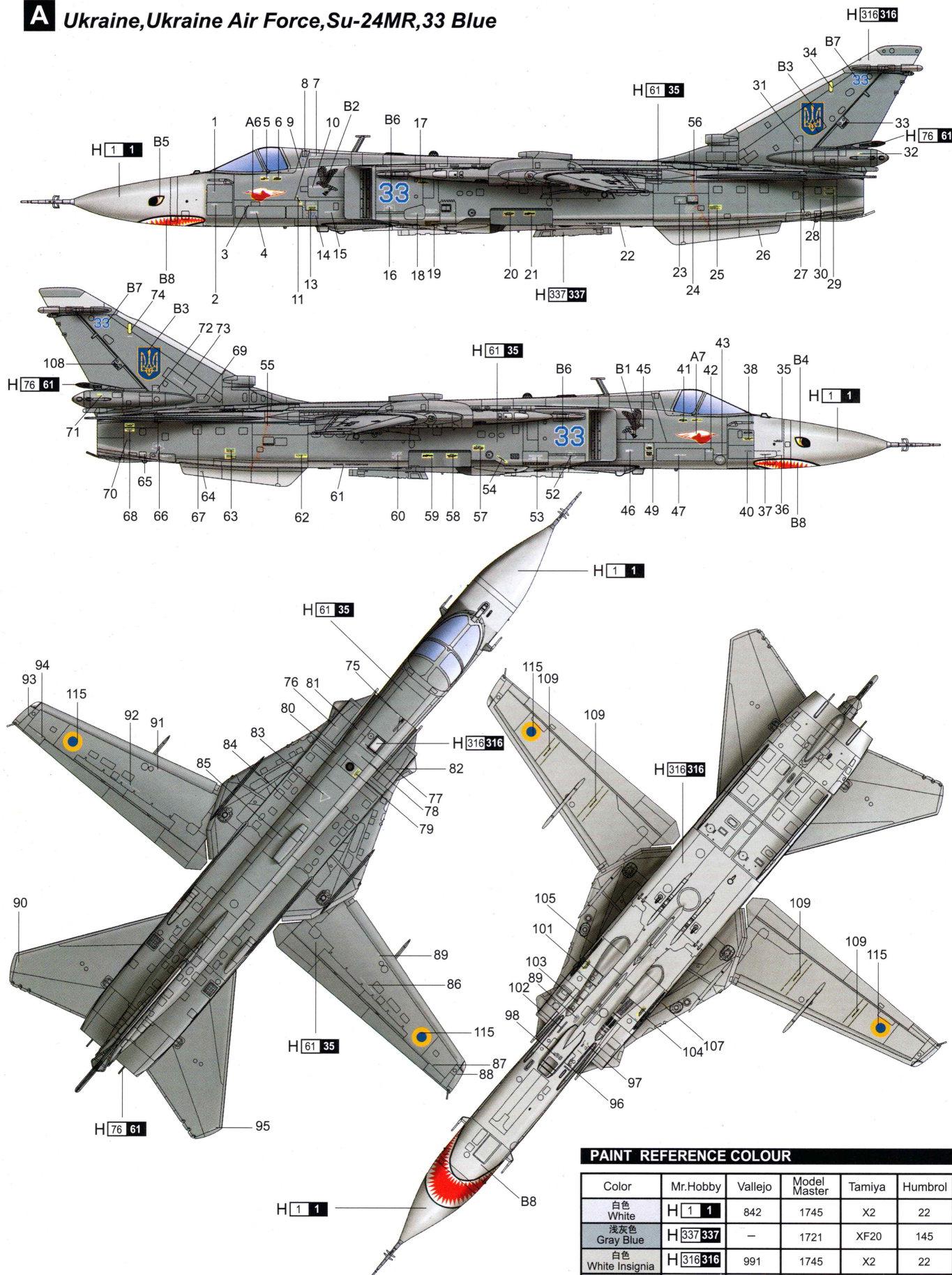




Sta.No.	1	2	3	4	5	6	7	8
Missile/Tank								
PTB-3000	○	○					○	○
PTB-2000	○							○
R-60		◎					◎	
FAB-100	◎	○	◎		◎	◎	◎	◎
KAB-500L		○	○	○	○	○	○	
ZB-500		◎	○		◎	◎	◎	
B-8M		○					○	
KH-31		◎			◎		◎	

涂装同标贴指示 Painting & Marking guide

A Ukraine, Ukraine Air Force, Su-24MR, 33 Blue



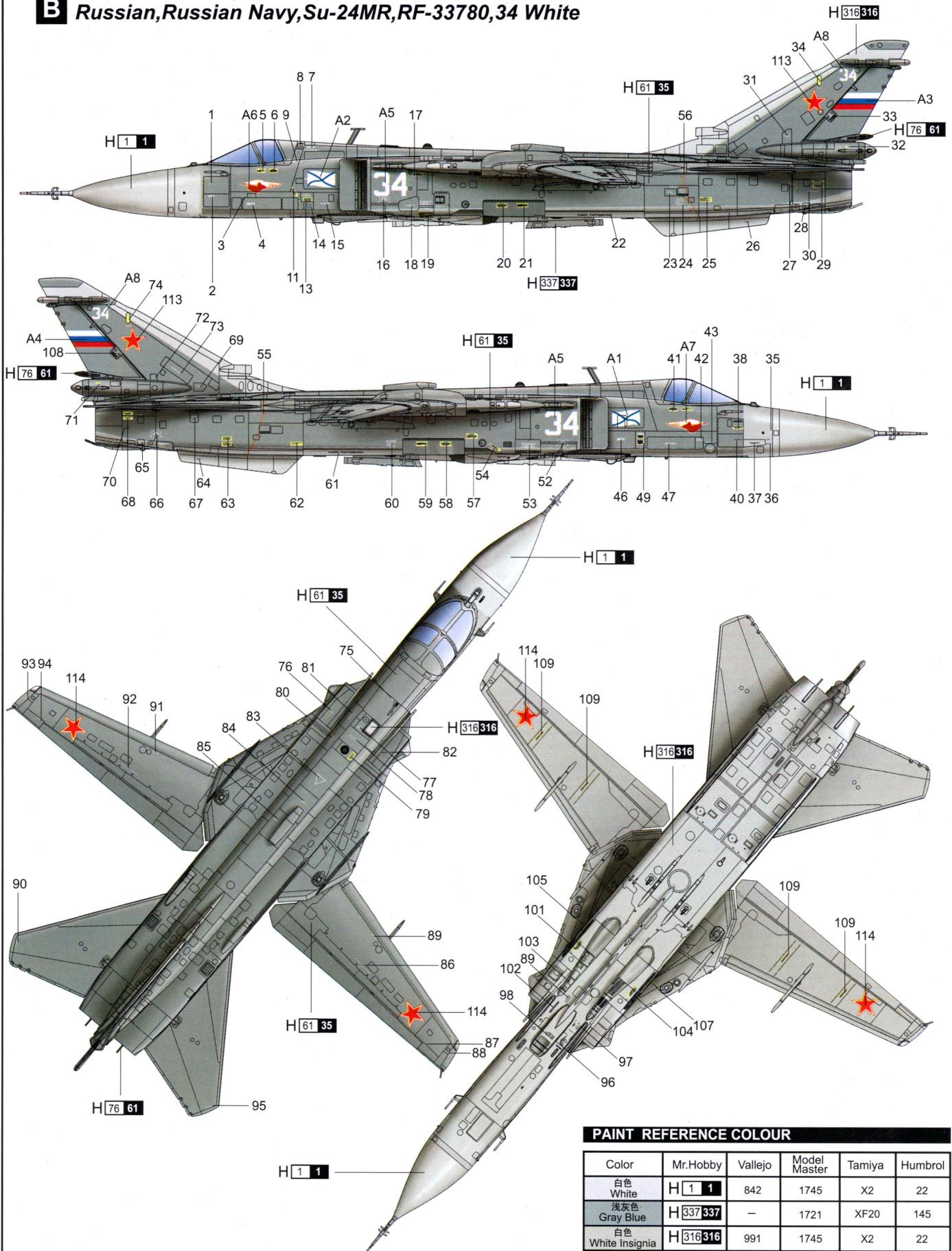
PAINT REFERENCE COLOUR

Color	Mr.Hobby	Vallejo	Model Master	Tamiya	Humbrol
白色 White	H 1 1	842	1745	X2	22
浅灰色 Gray Blue	H 337 337	—	1721	XF20	145
白色 White Insignia	H 316 316	991	1745	X2	22
明灰白 Gray	H 61 35	907	1731	—	146
烧铁色 Burnt Iron	H 76 61	863	1795	X10	53

H [] AQUEOUS HOBBY COLOR [] Mr. COLOR

涂装同标贴指示 Painting & Marking guide

B Russian, Russian Navy, Su-24MR, RF-33780, 34 White



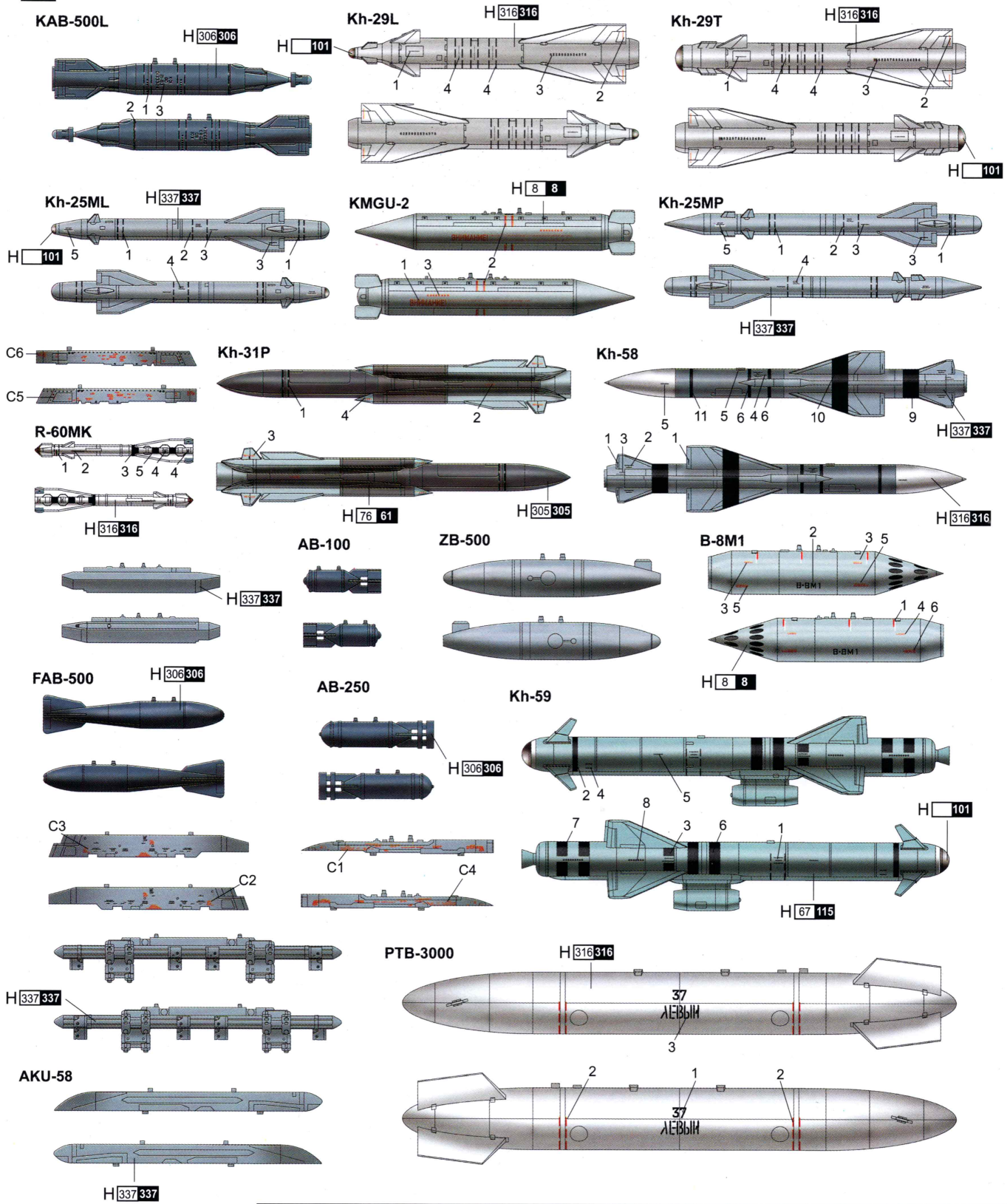
PAINT REFERENCE COLOUR

Color	Mr.Hobby	Vallejo	Model Master	Tamiya	Humbrol
白色 White	H 1 1	842	1745	X2	22
浅灰色 Gray Blue	H 316 316	—	1721	XF20	145
白色 White Insignia	H 316 316	991	1745	X2	22
明灰白 Gray	H 61 35	907	1731	—	146
烧铁色 Burnt Iron	H 76 61	863	1795	X10	53

H [] AQUEOUS HOBBY COLOR [] Mr. COLOR

涂装同标贴指示 Painting & Marking guide

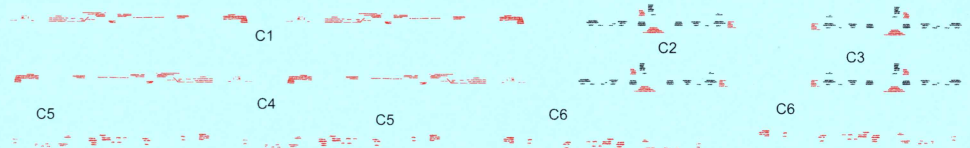
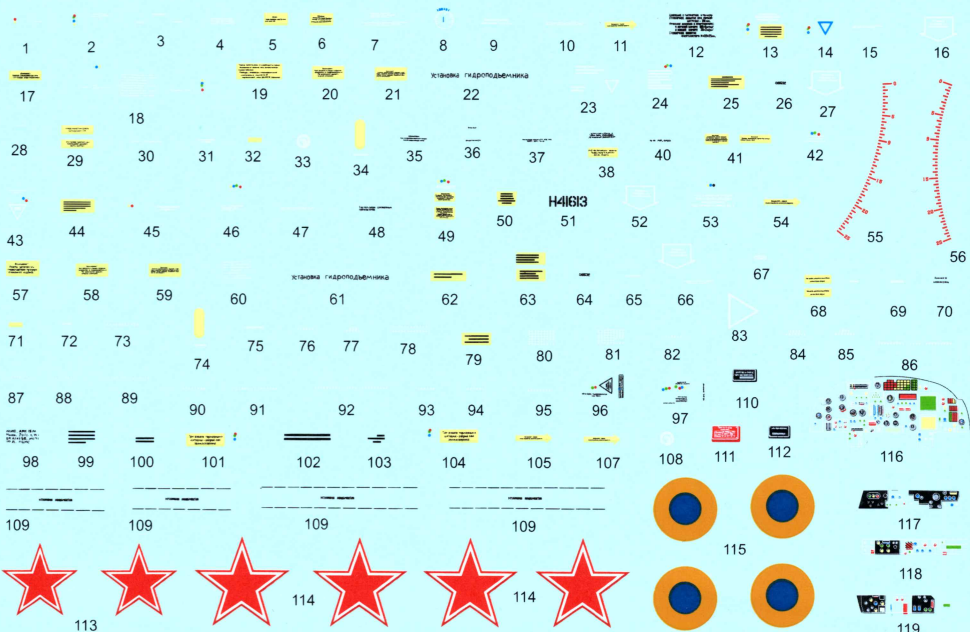
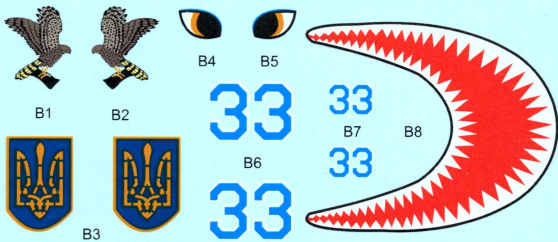
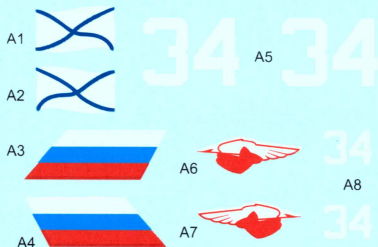
C



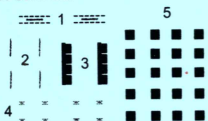
PAINT REFERENCE COLOUR

Color	Mr.Hobby	Vallejo	Model Master	Tamiya	Humbrol	Color	Mr.Hobby	Vallejo	Model Master	Tamiya	Humbrol
白色 White Insignia	H 316 316	991	1745	X2	22	灰色 Medium Grey	H 306 306	870	1725	XF20	-
银色 Silver	H 8 8	997	1546	X11	11	浅蓝色 Light Blue	H 67 115	906	-	XF23	65
烟灰色 Smoke Blue	H 95 101	-	-	-	-	烧铁色 Burnt Iron	H 76 61	863	1795	X10	53
深灰色 Medium Gunship Grey	H 305 305	868	1723	XF58	125	浅灰色 Gray Blue	H 337 337	-	1721	XF20	145

H [] AQUEOUS HOBBY COLOR
X [] Mr. COLOR



R-60MKx2



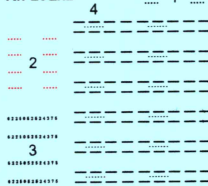
KAB-500Lx2



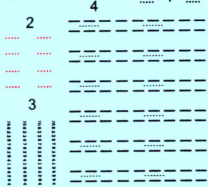
KMGU-2x2



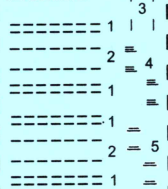
Kh-29Lx2



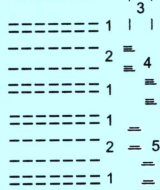
Kh-29Tx2



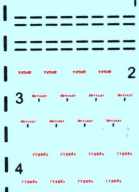
Kh-25MLx2



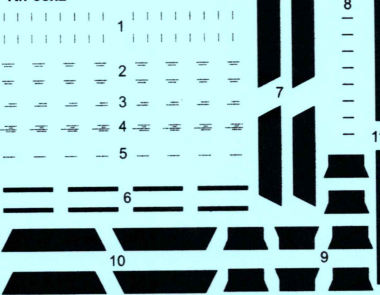
Kh-25MPx2



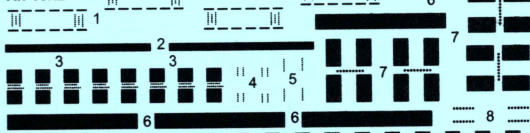
Kh-31x2



Kh-58x2



Kh-59x2



PTB-3000x2

