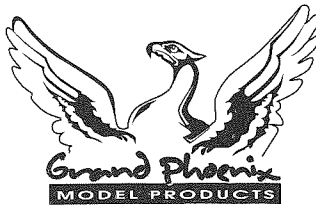
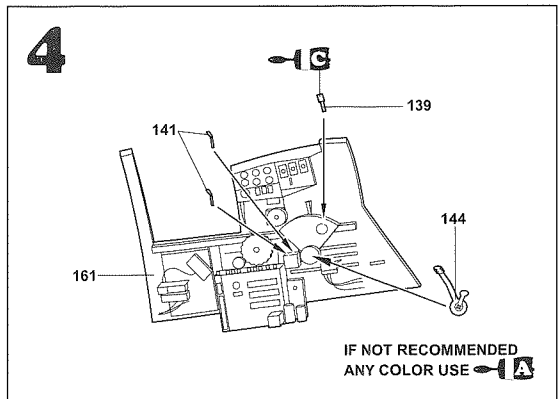
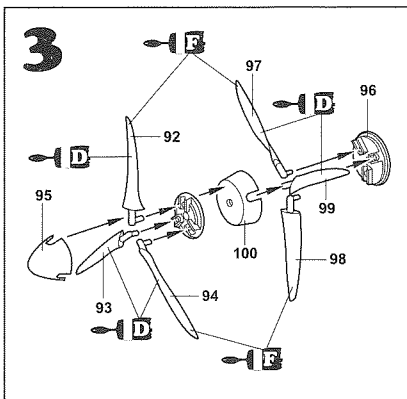
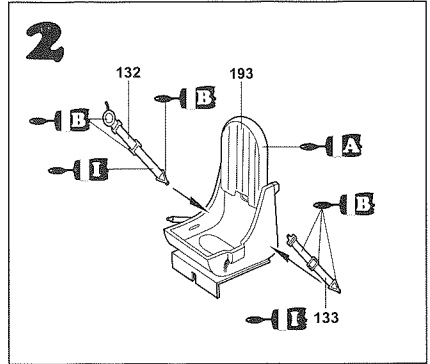
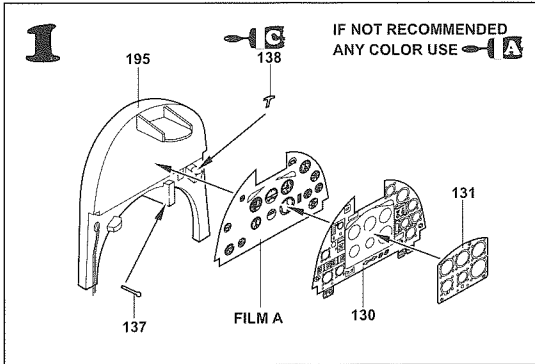
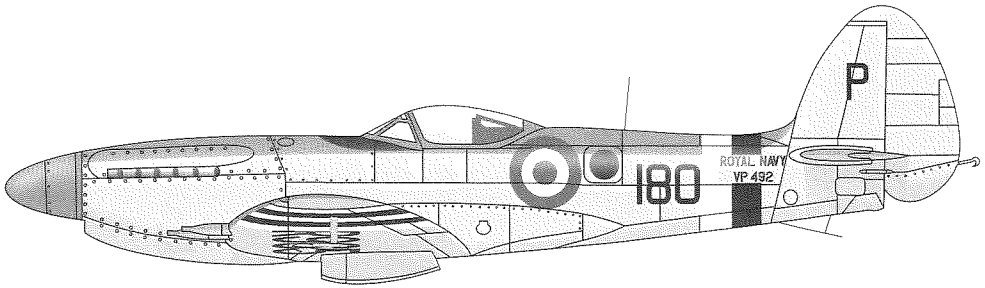


12902 SW 132nd Ct.  
 Miami, Fl. 33186  
 U.S.A  
 ph (786) 293-0411  
 fax (786) 293-5822

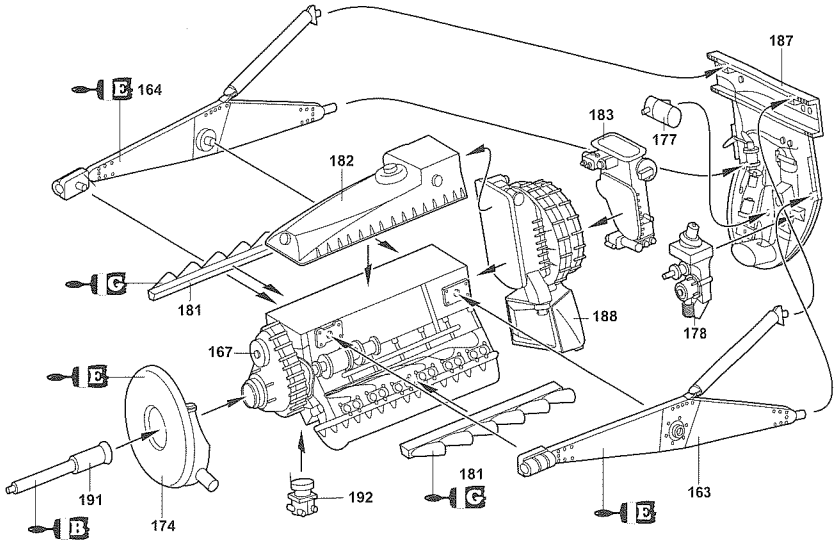


1/48 Scale  
 ITEM #KIT 005

# SEAFIRE FR 47/FR 46

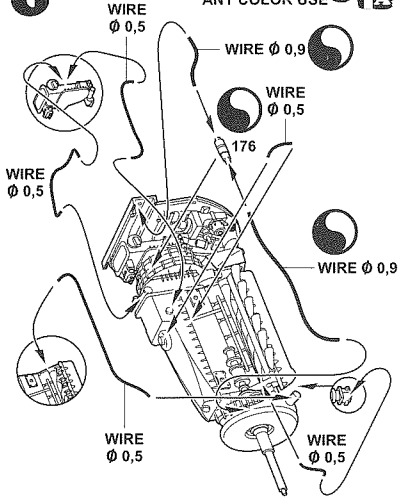


# 5

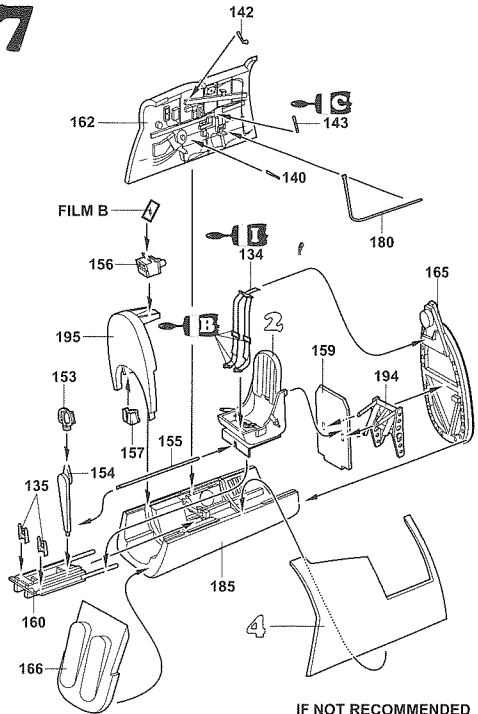


# 6

IF NOT RECOMMENDED  
ANY COLOR USE

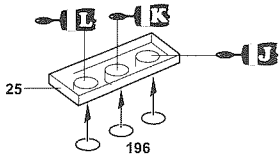


# 7



IF NOT RECOMMENDED  
ANY COLOR USE

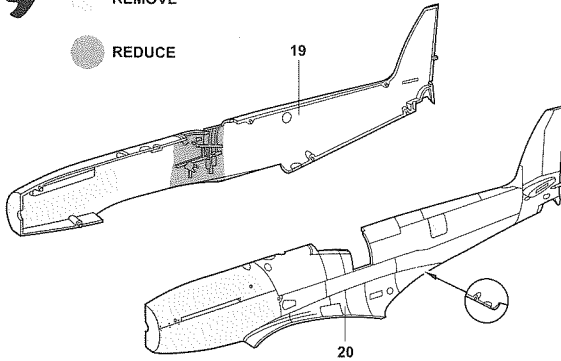
# 8



# 9

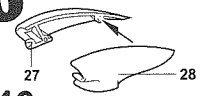
REMOVE

REDUCE

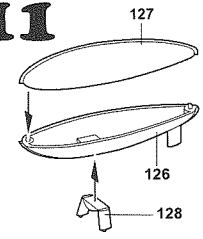


# 10

## FR 46

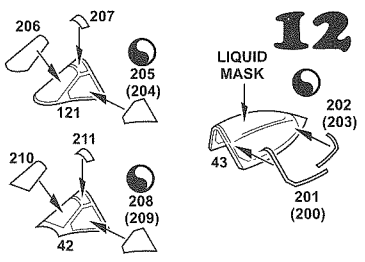


# 11

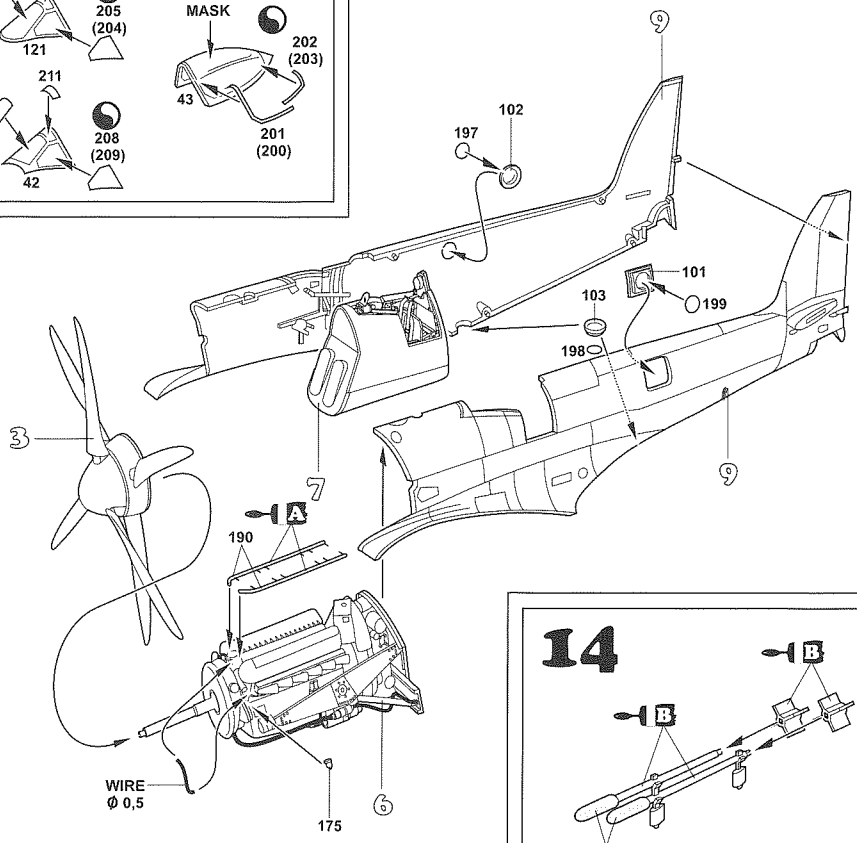


# 12

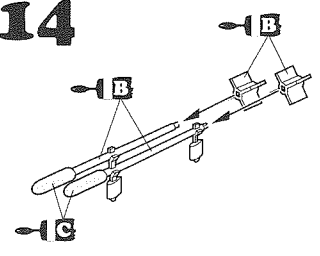
LIQUID MASK

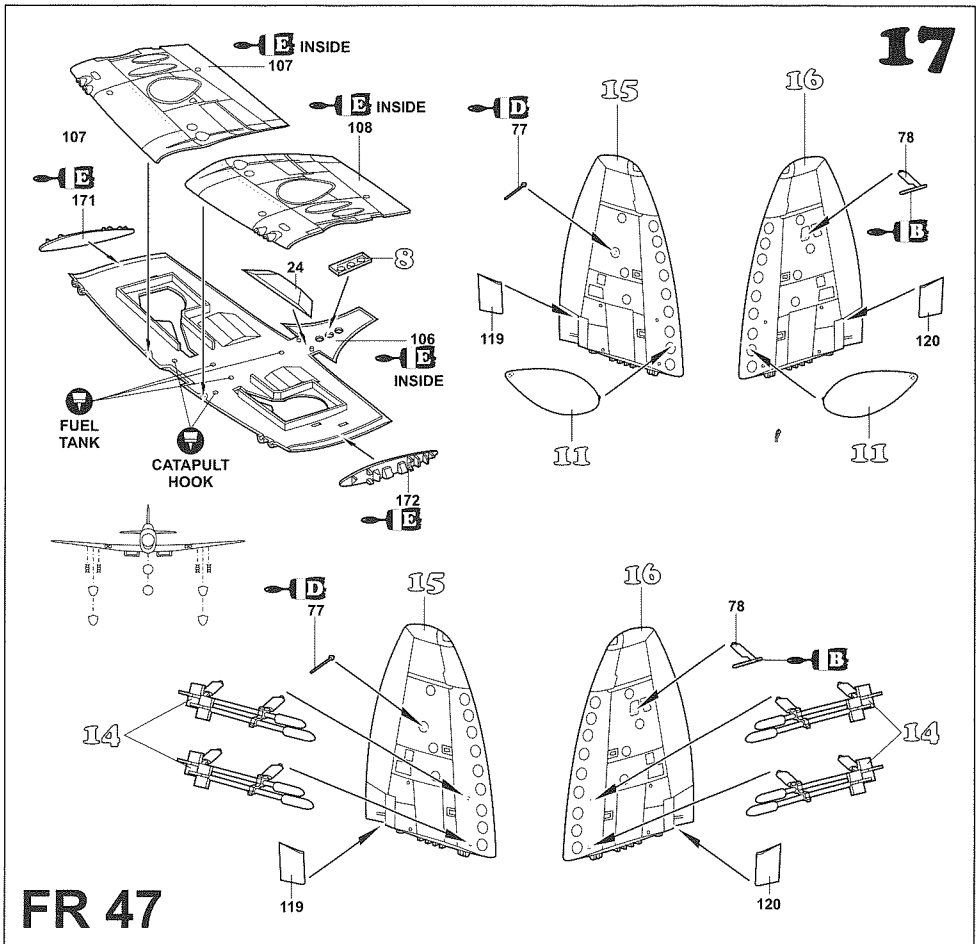
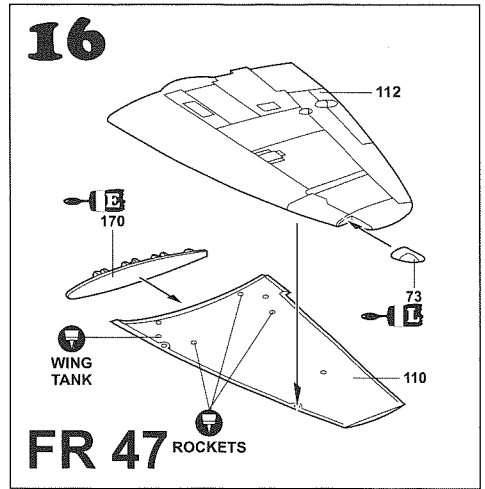
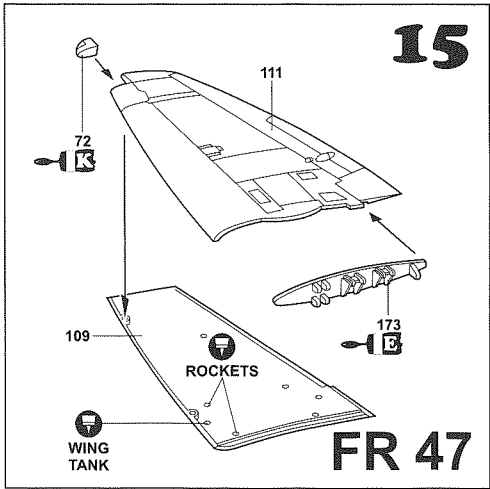


# 13

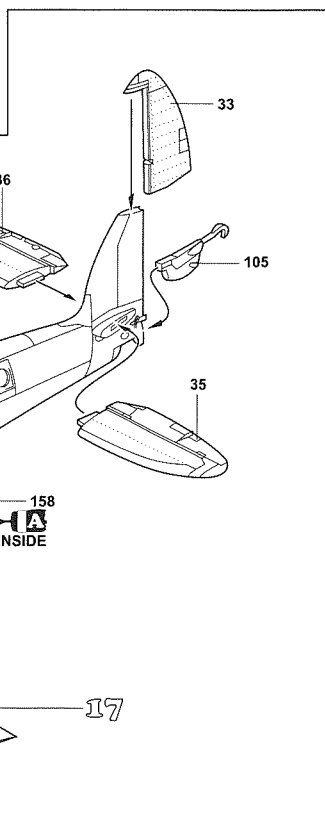
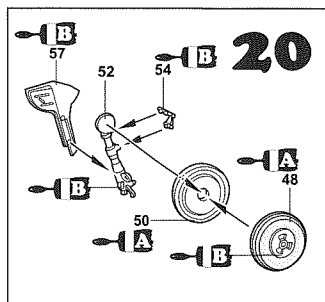
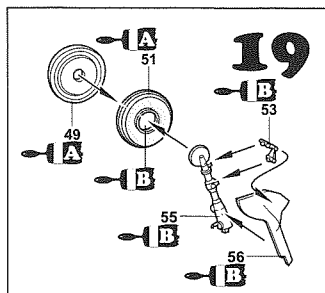
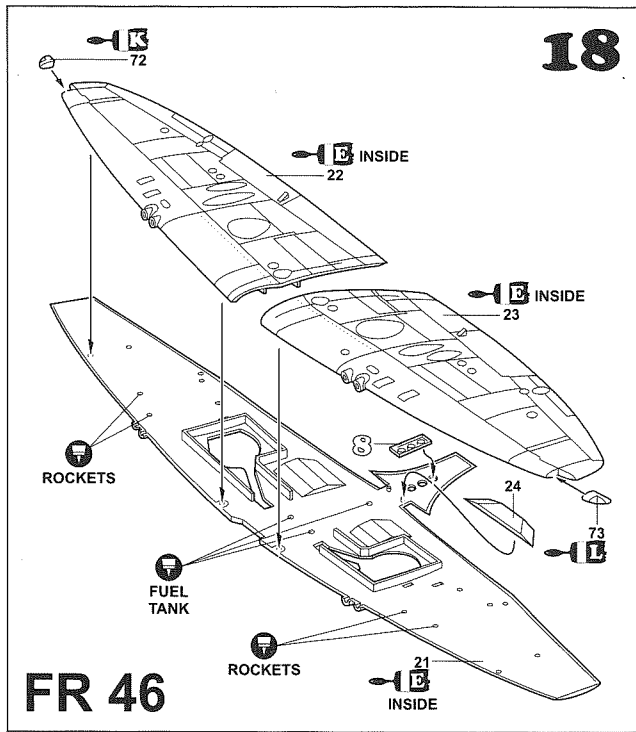


# 14

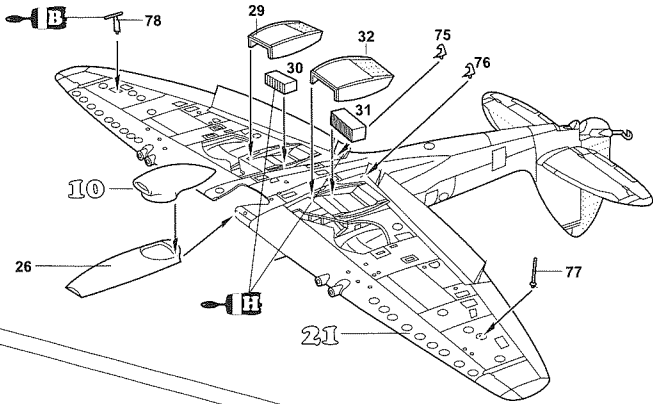




# 18

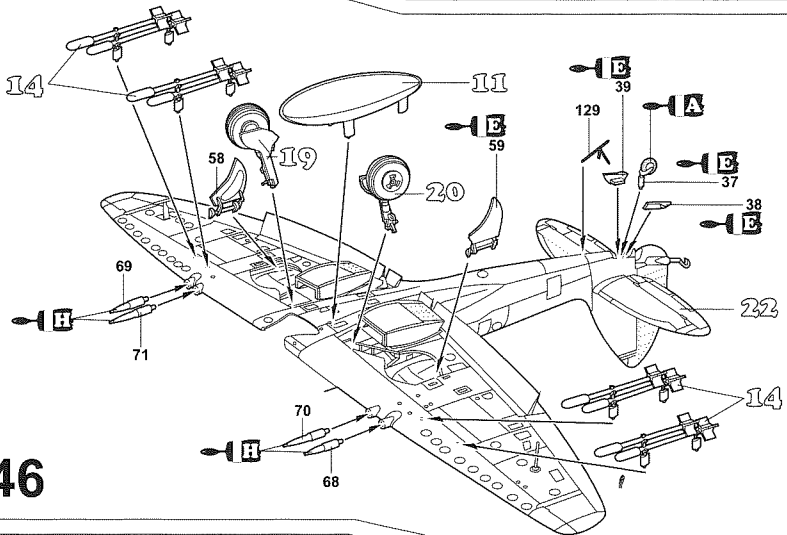


# 22



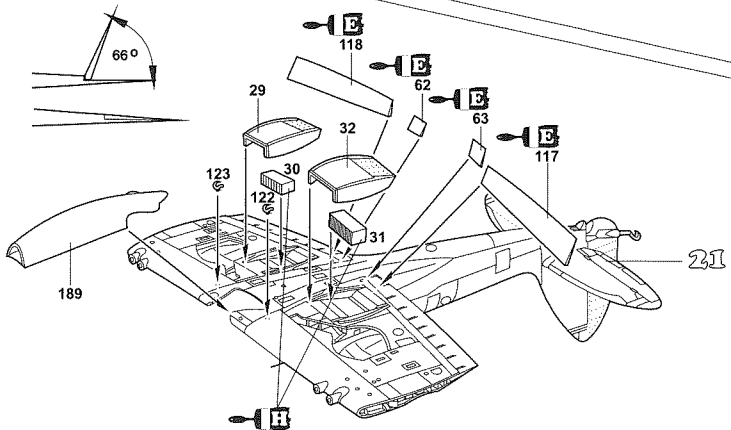
# 23

## FR 46



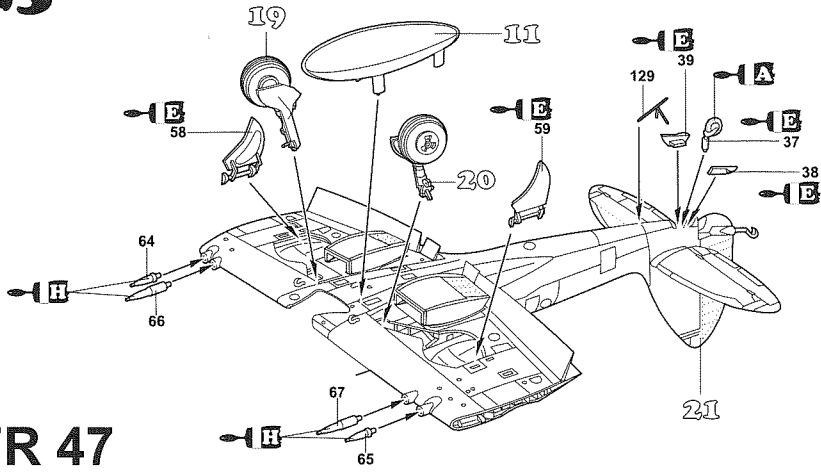
## FR 46

# 24



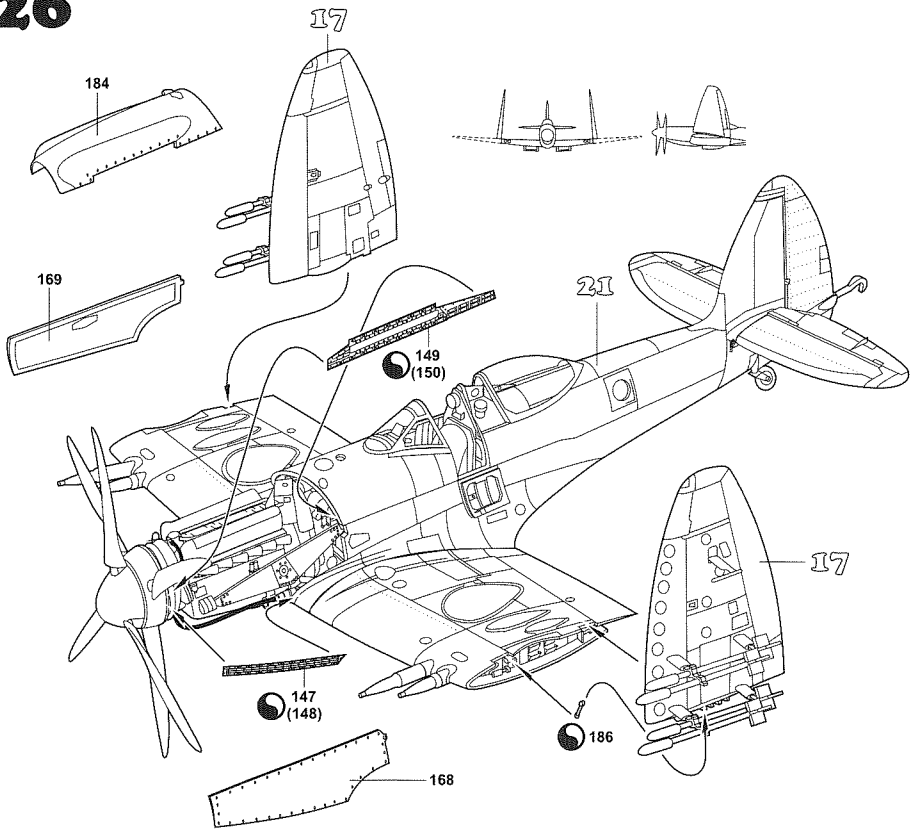
## FR 47

# 25

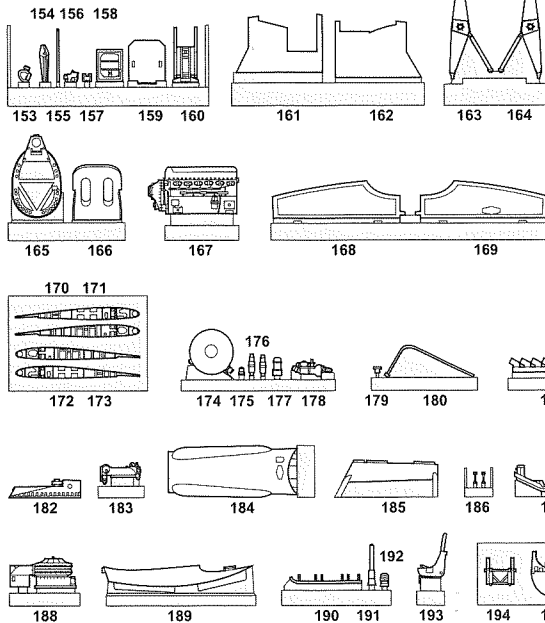


# FR 47

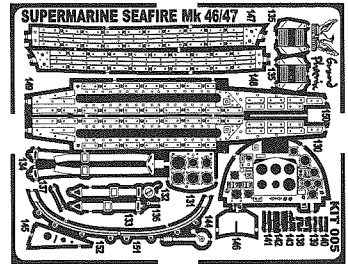
# 26



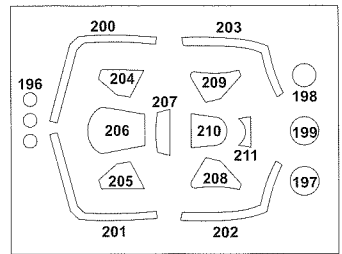
## RESIN PARTS



## PHOTO-ETCHED PARTS



## PAINTING MASKS



OPTIONS

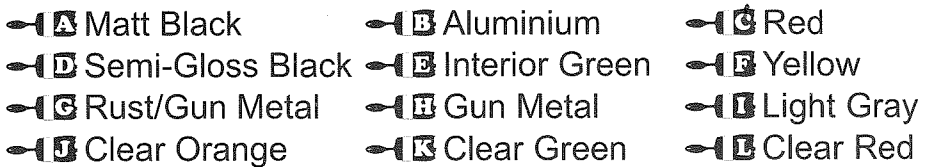


OPEN HOLE



MIRROR ASSEMBLY

## COLOURS

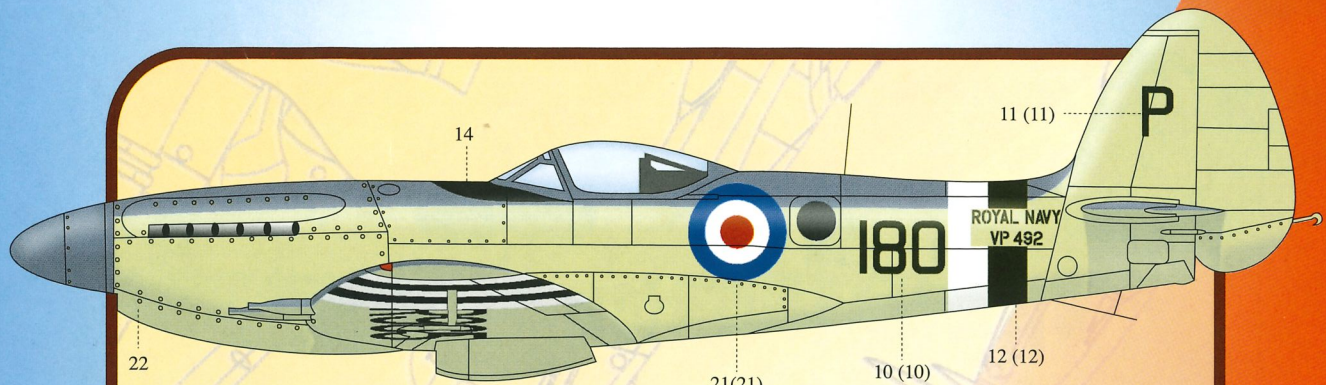


CAUTION ! Read before assembly!

Study carefully the instructions before assembly.  
Paints and adhesive are not included in kit.

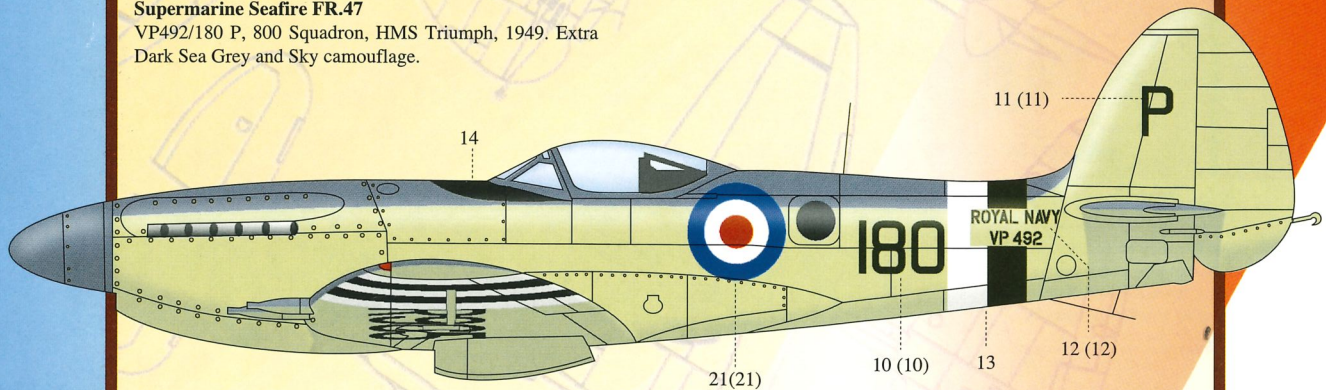
Kit contains injected plastic parts, casted resin parts and photoetched parts. For glueing of resin and photoetched parts use cyanoacrylate only.  
Some parts are very small and with sharp edges. During work protect your eyes with goggles and be aware of breathing dust or swallowing any small parts.  
Use tools, paints and adhesives properly after careful studying of instructions.  
This kit is not suitable for children under 10 years.





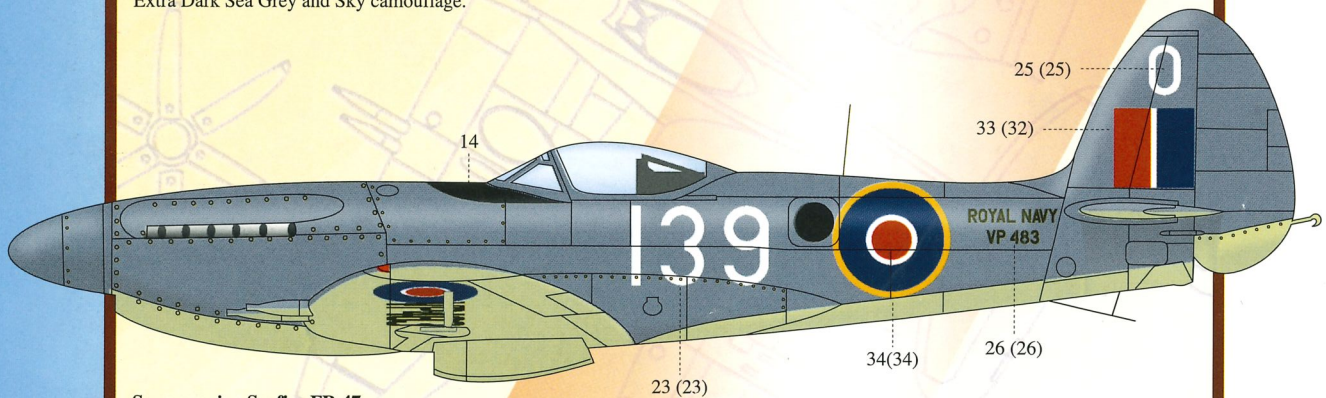
**Supermarine Seafire FR.47**

VP492/180 P, 800 Squadron, HMS Triumph, 1949. Extra Dark Sea Grey and Sky camouflage.



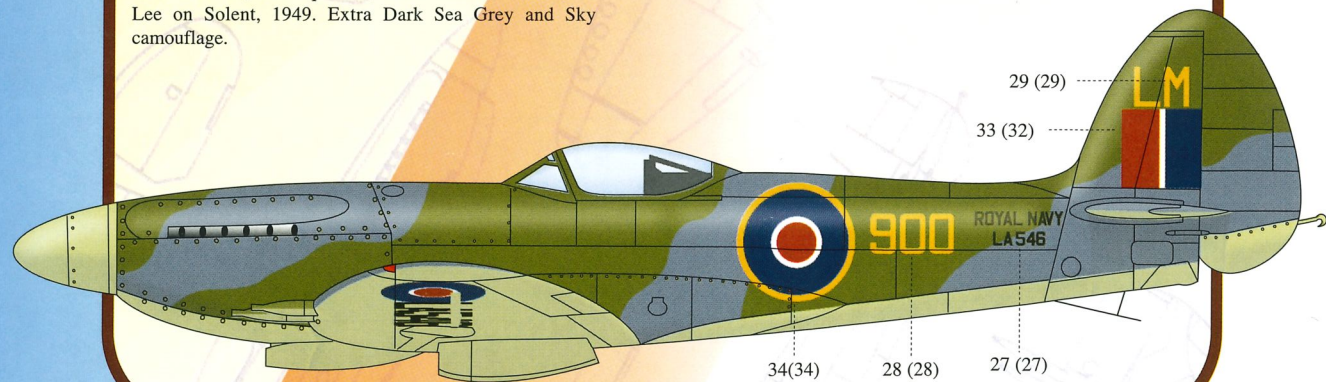
**Supermarine Seafire FR.47**

VP492/180 P, 800 Squadron, HMS Triumph, 1951, Korea. Extra Dark Sea Grey and Sky camouflage.



**Supermarine Seafire FR.47**

VP483/139 O, 804 Squadron, HMS Ocean, shore based Lee on Solent, 1949. Extra Dark Sea Grey and Sky camouflage.

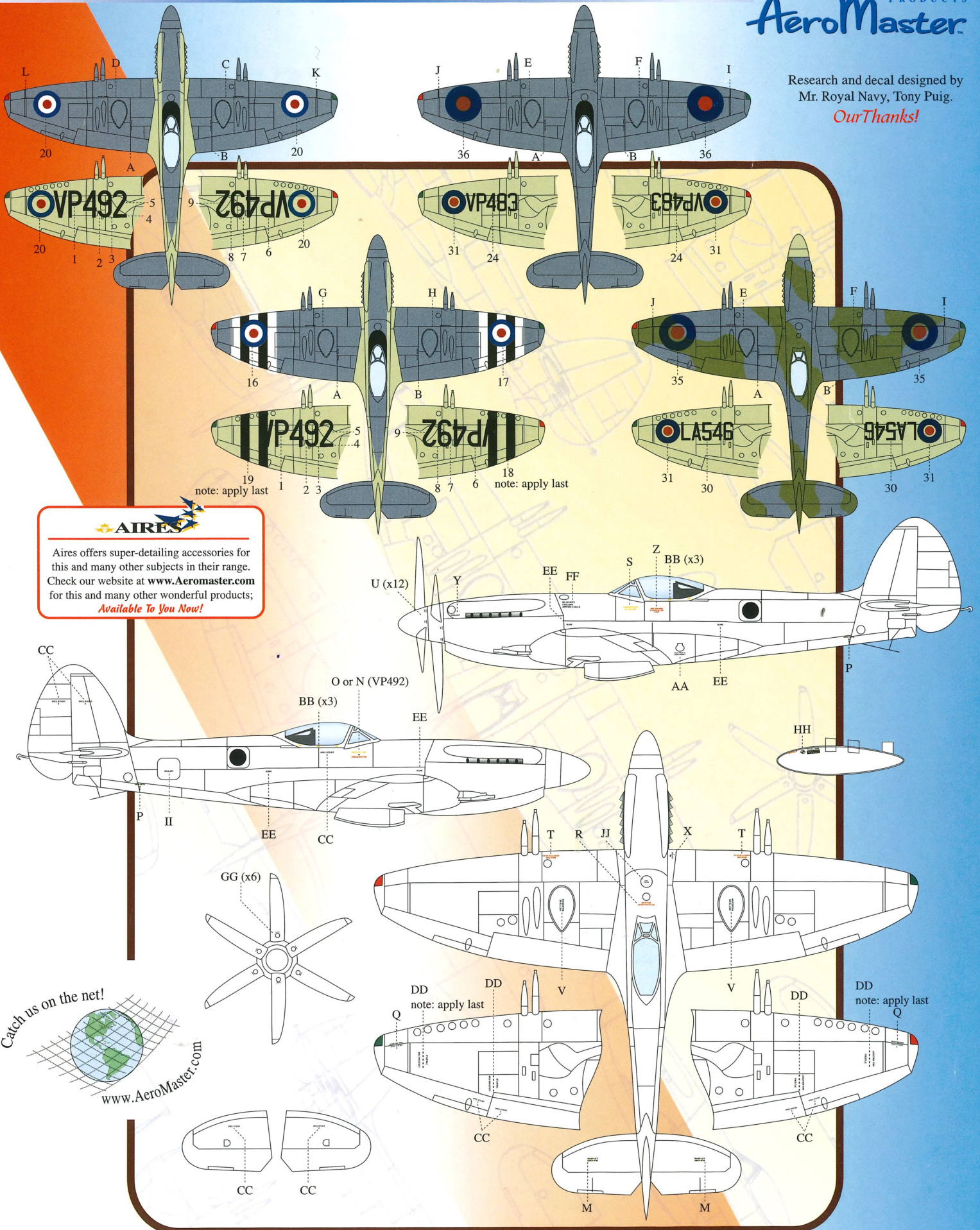


**Supermarine Seafire FR.46**

LA546/900 LM, 804 Squadron, Lossiemouth Station Flight, 1946-47. Extra Dark Sea Grey, Dark Slate Grey and Sky camouflage.



Research and decal designed by  
Mr. Royal Navy, Tony Puig.  
*OurThanks!*



**AIRES**  
Aires offers super-detailing accessories for this and many other subjects in their range. Check our website at [www.Aeromaster.com](http://www.Aeromaster.com) for this and many other wonderful products; *Available To You Now!*

Catch us on the net!  
[www.Aeromaster.com](http://www.Aeromaster.com)

If you have suggestions for future subject matter, AeroMaster would like to hear from you. Our goal is to provide high quality, well researched decals of unusual and interesting subjects. We value our customers' input, so if you have specific suggestions or photographs of unusual subject matter which you would be willing to share, please contact us. **KT005**