

Diamond T 968 was a cargo truck based on a 4 ton 6x6 chassis, powered with a Hercules RXC six-cylinder gasoline engine and equipped with a five-speed overdrive transmission and a direct and under drive transfer, manufactured from roughly 1940 until 1945 by the Diamond T Motor Car Company in Chicago.

Design and development of the model 968 began in 1939, it was adapted for production in 1940, and produced from 1941 to 1945. From 1943 most trucks were fitted with open cab. Roughly 9000 cargo-trucks was produced and used generally for cargo and personnel transport, but often also as an artillery prime mover.

These vehicles were also supplied to the Allied countries through the Lend-Lease Act, and after the WWII numbers of them were still in use in various countries for many years

**Parts:**

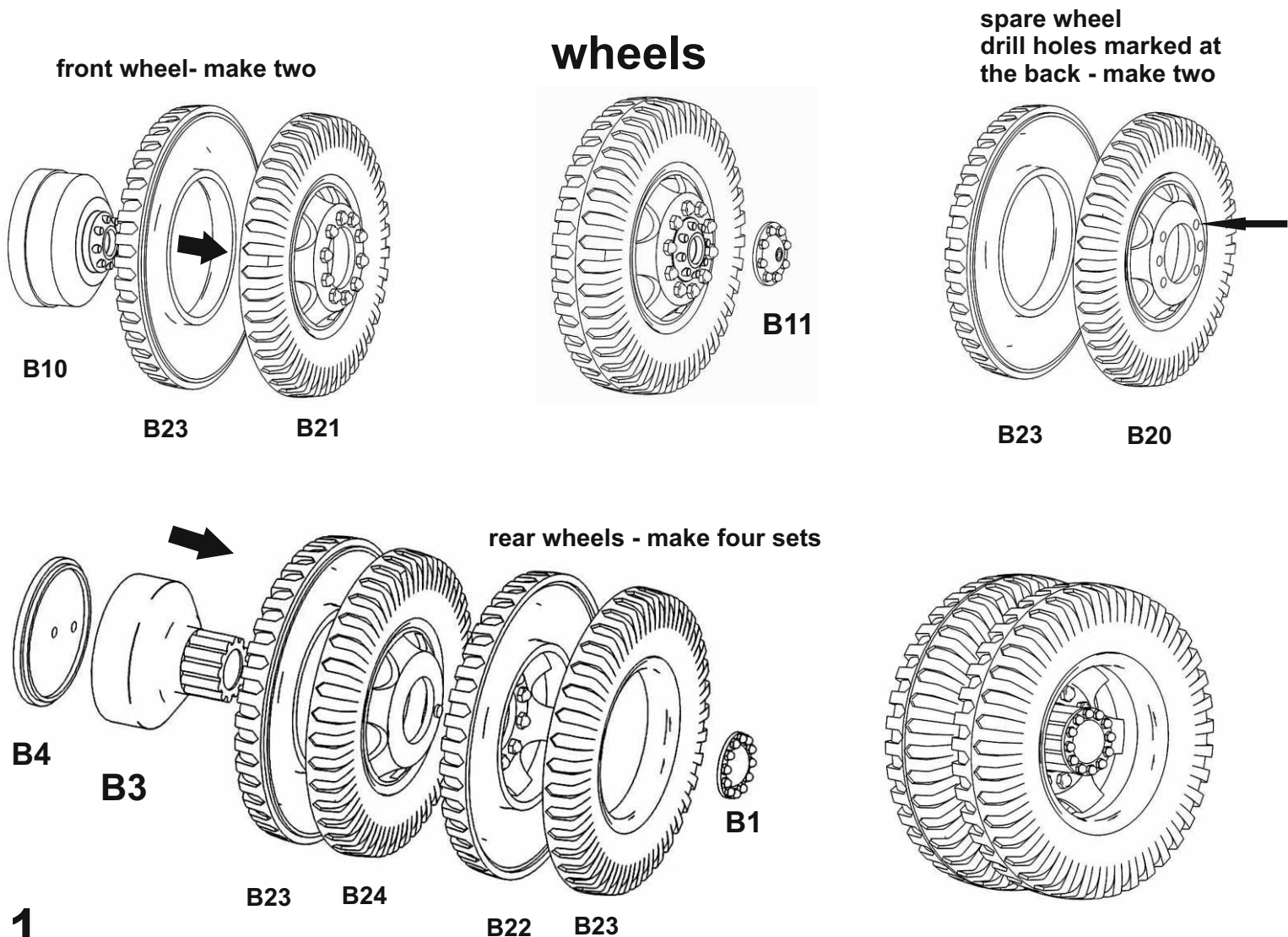
Sprue A - single chassis parts, 2x sprue B - chassis parts and wheels, sprue C - engine, sprue D - bonnet and front cab parts, sprue S - closed cab parts, sprue X - cargo body parts, sprue U - clear parts, vacuum formed canvas, rope and decals

Go through assembly guide before you start your work. Some gates are larger, because we don't want any ejector marks on parts, and also very thin true-to scale parts require larger gates to avoid filling issues, you need to use a little razor blade or sharp scalpel to remove these parts carefully.

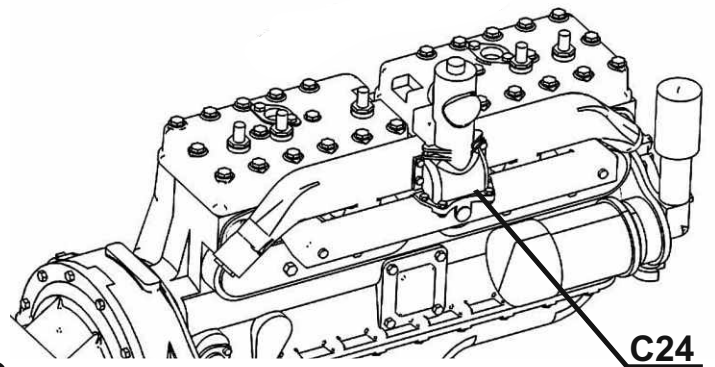
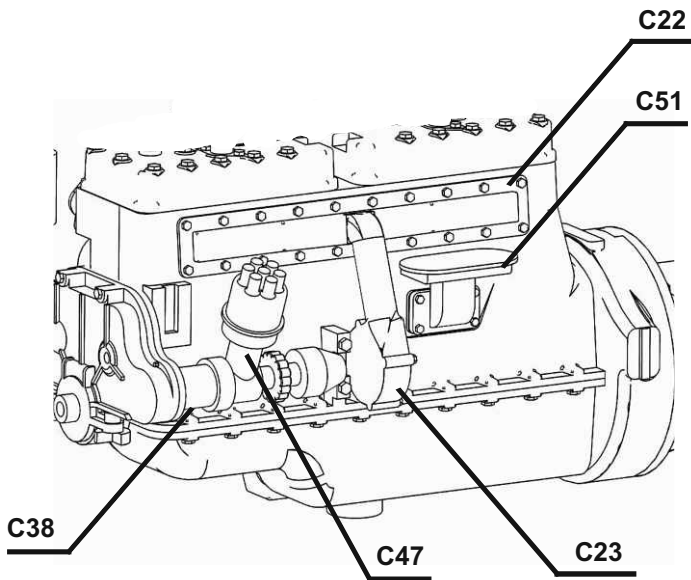
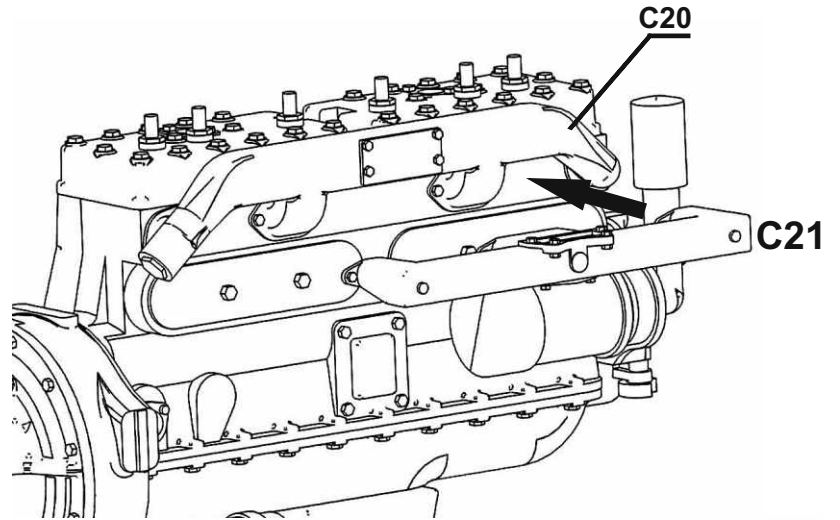
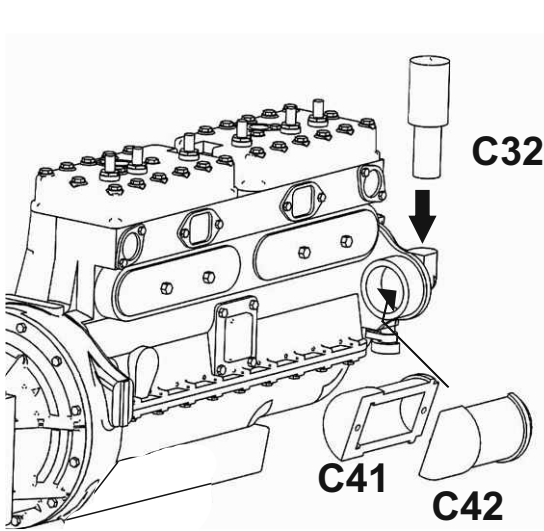
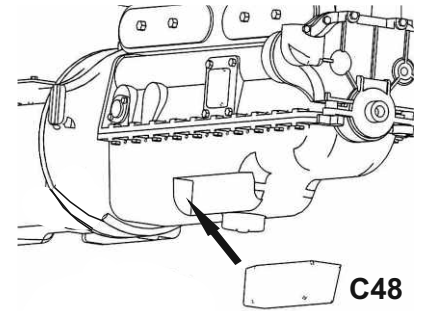
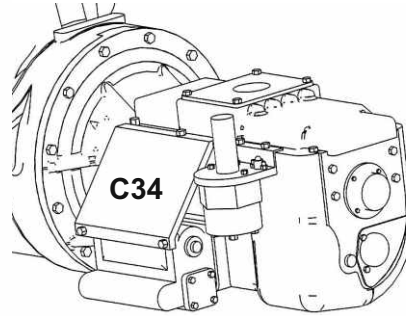
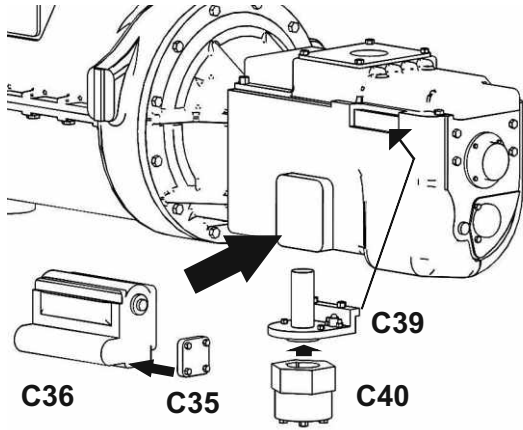
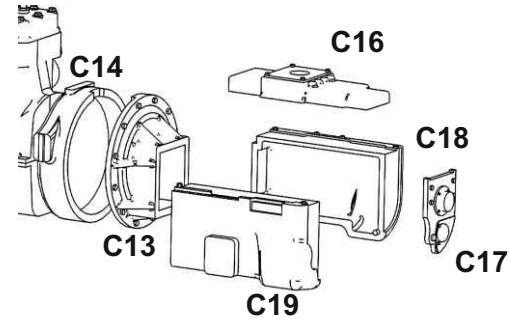
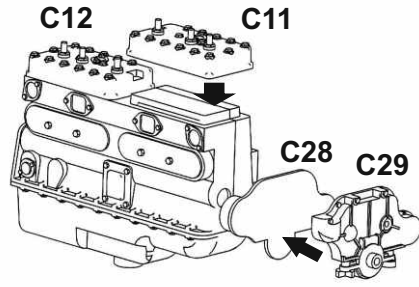
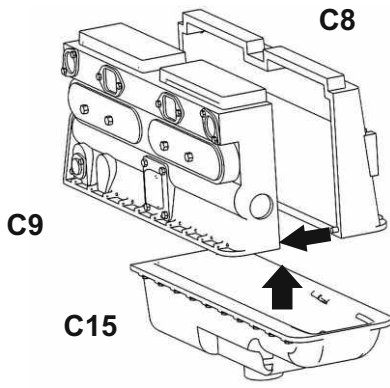
Images in rows one by one show usually one small assembly step

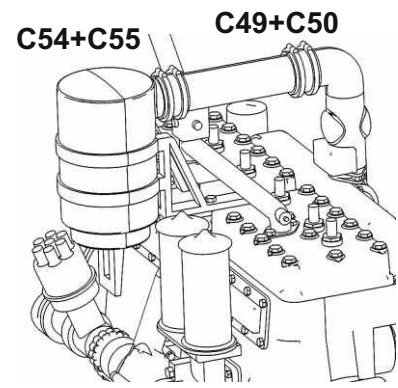
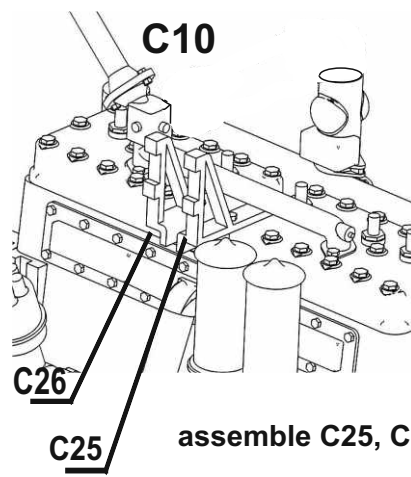
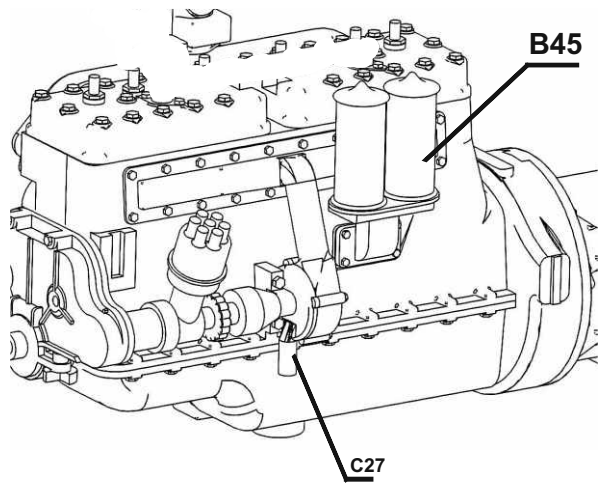
Heat up PE parts with lighter before use, brass will soften and become easy to bend and work with

Tamiya Super Thin Glue recommended for plastic parts, let the glue work for a few seconds, then push parts together, melted plastic will fill the gaps between parts. You can also melt sprue frame and use it as an amazing filler for small works, or use this glue to wash out tiny seam lines on little parts or make texture on some parts etc.

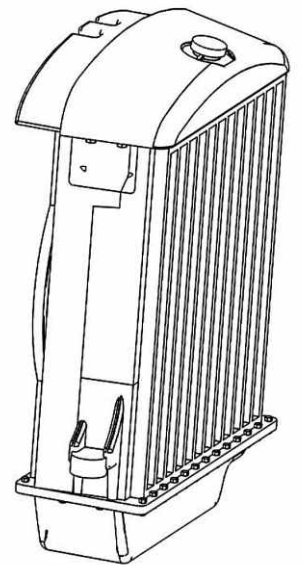
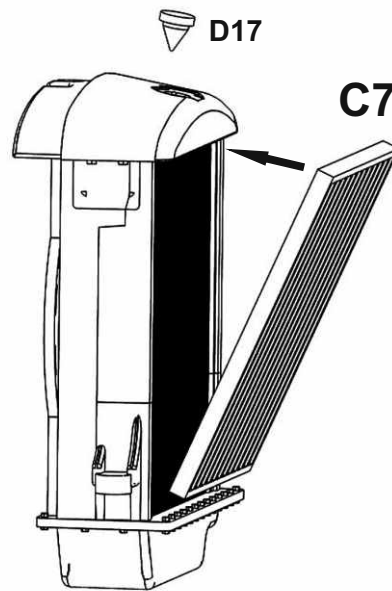
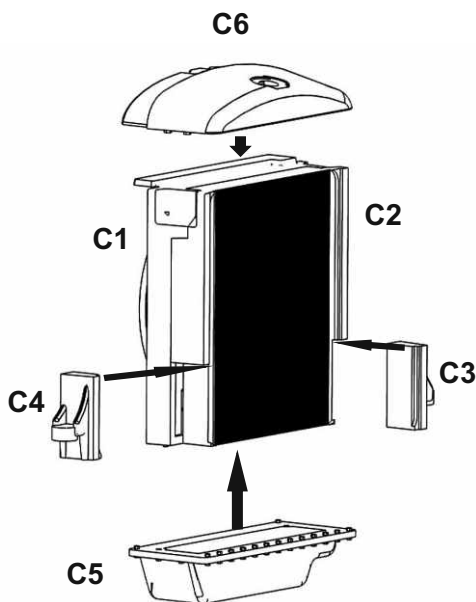
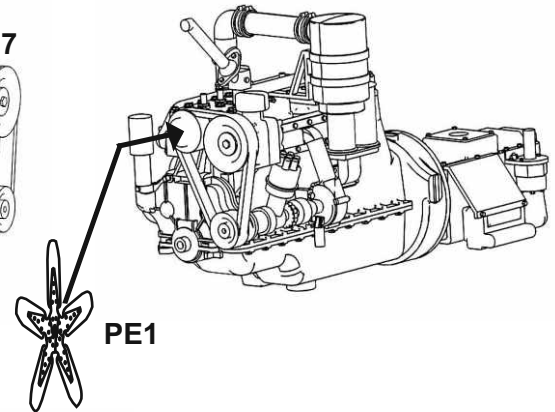
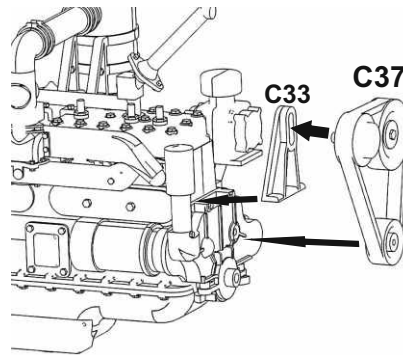
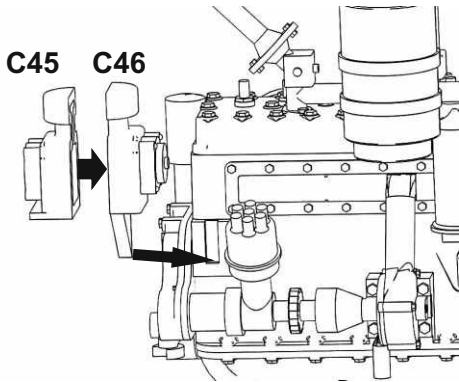


# Engine

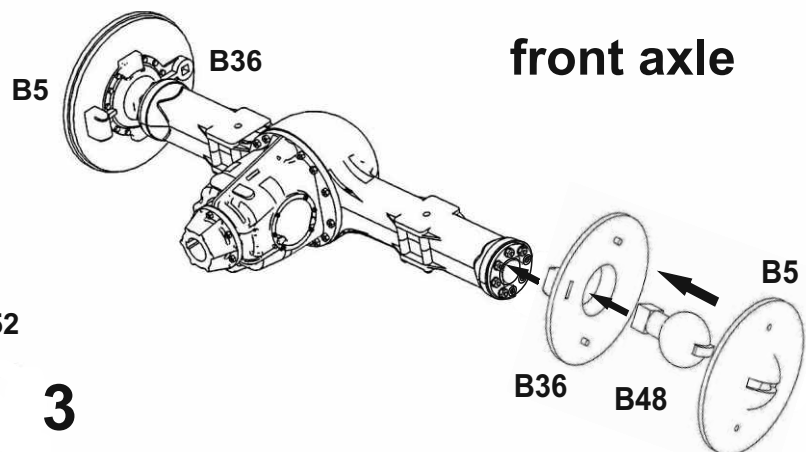
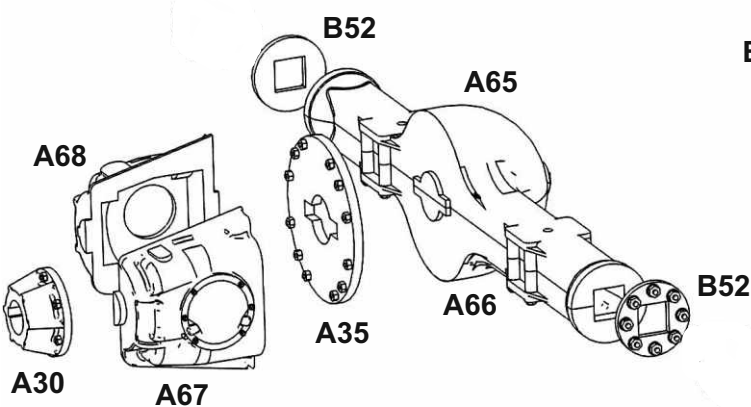


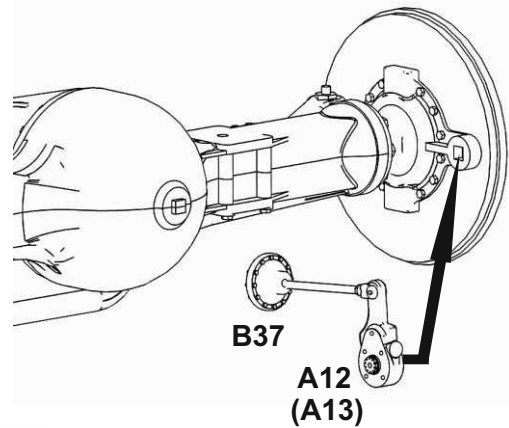
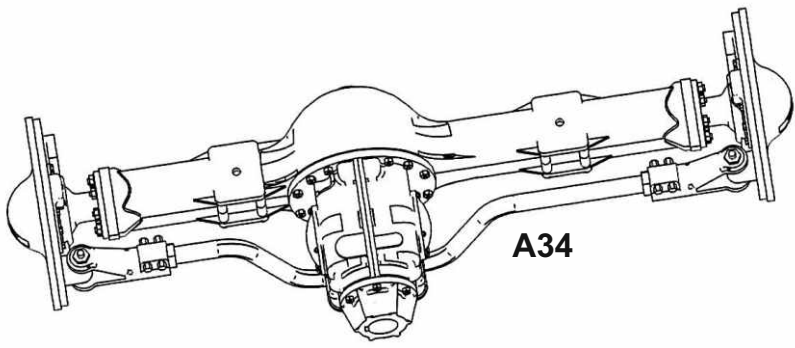


assemble C25, C26, then C10, then 2xB45, then C49+C50 and C54+C55

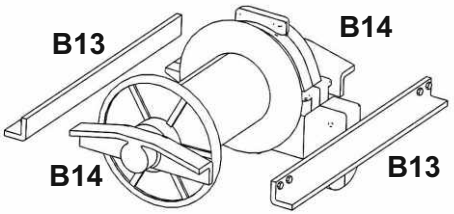
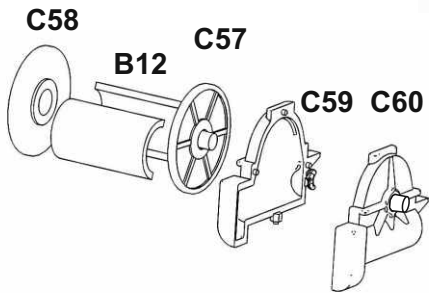
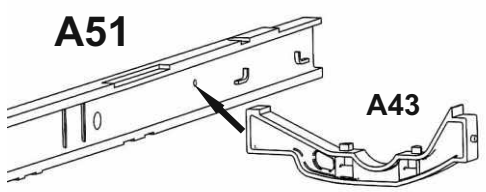


front axle

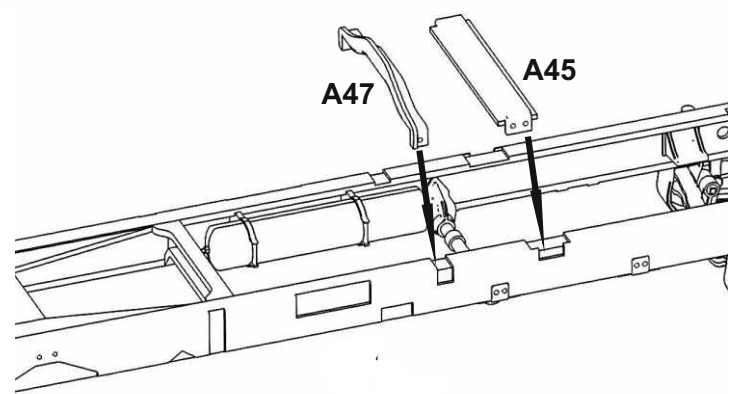
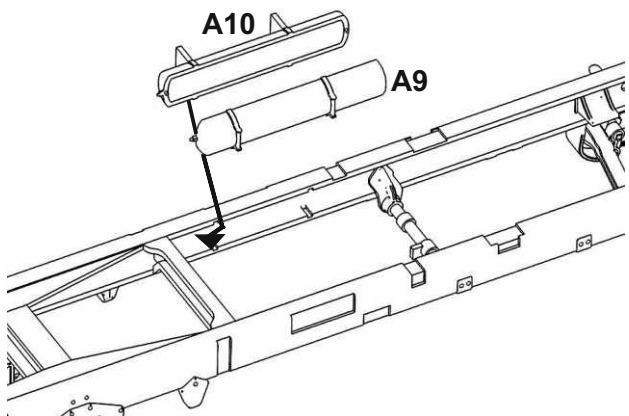
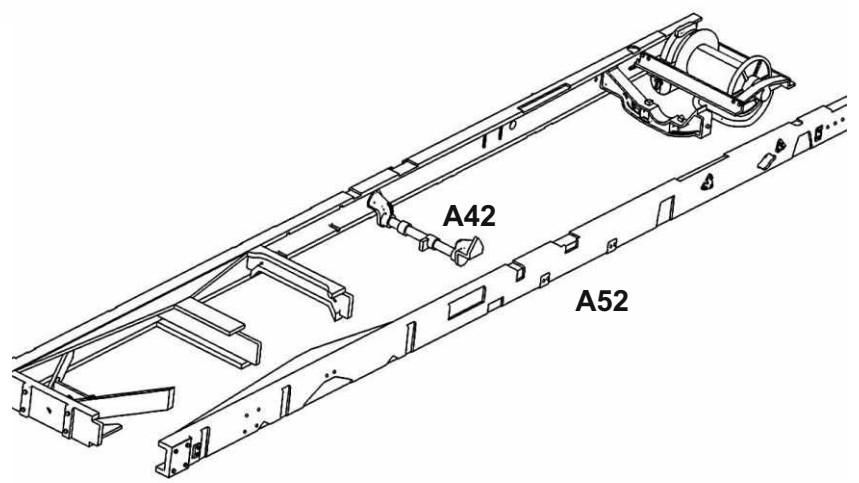
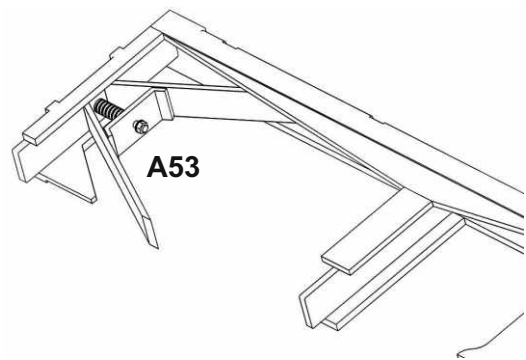
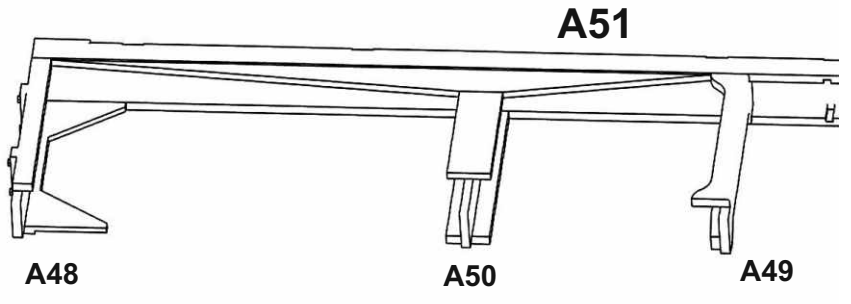
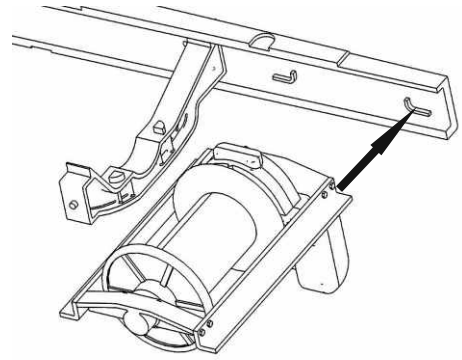


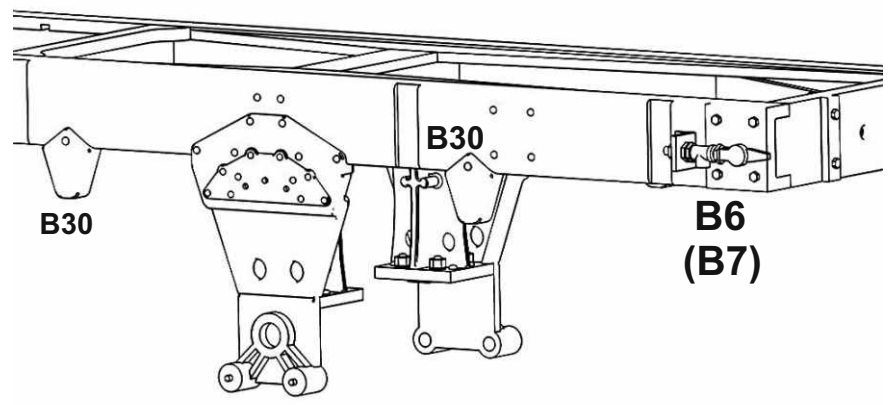
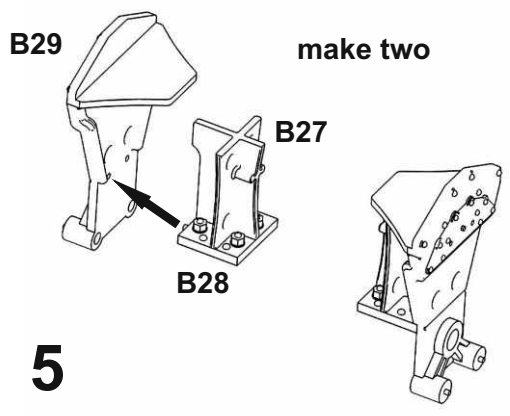
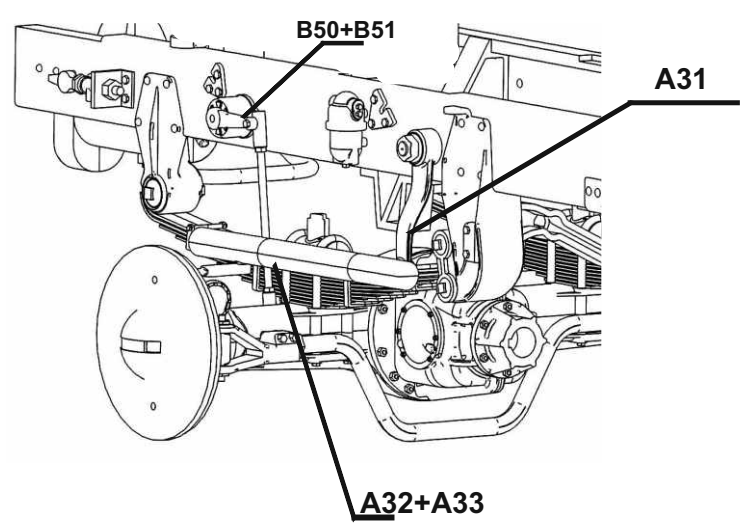
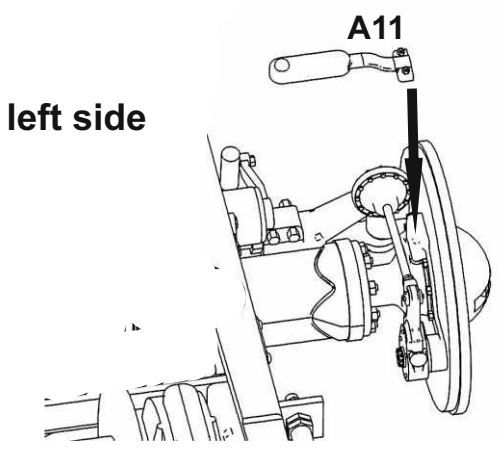
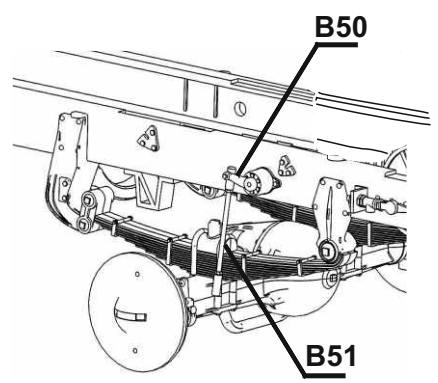
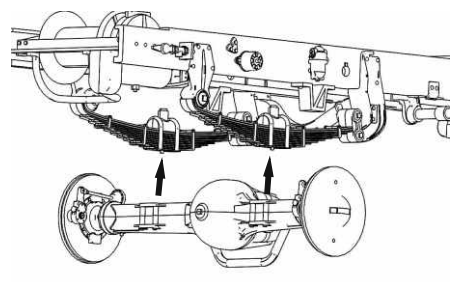
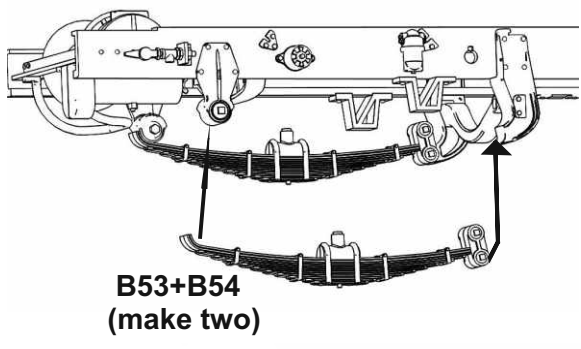
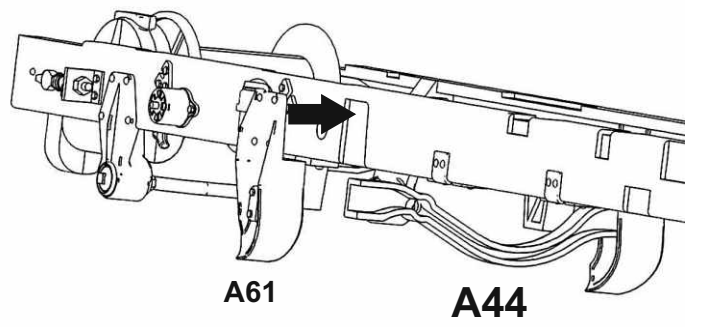
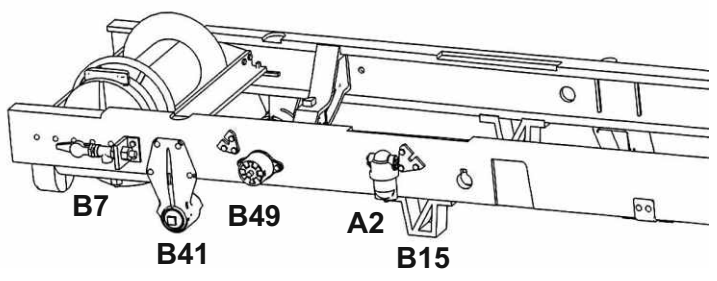
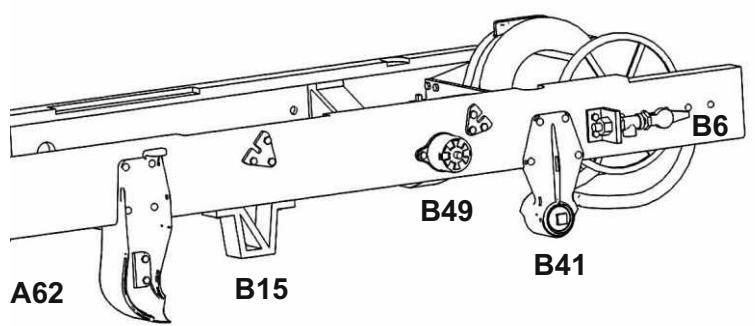
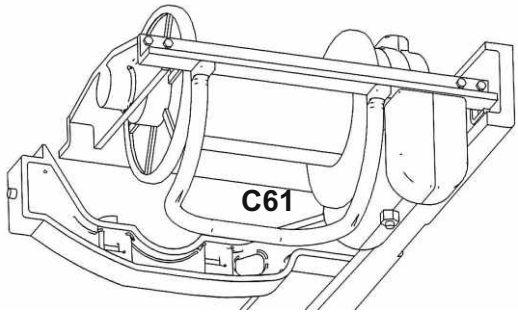


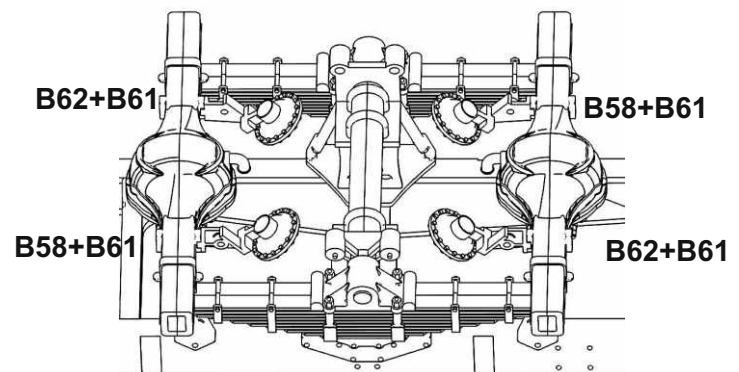
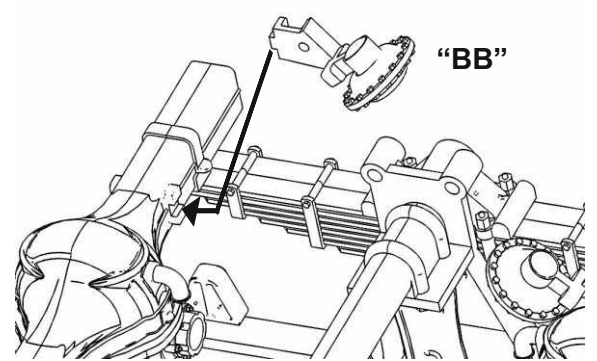
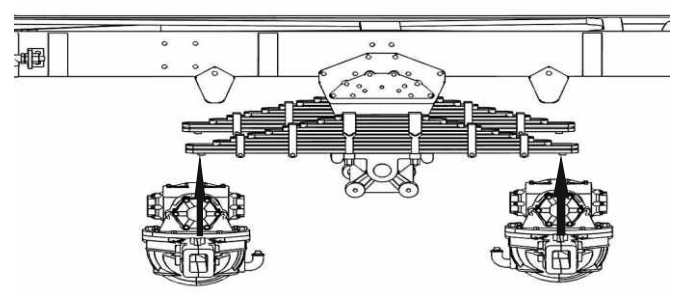
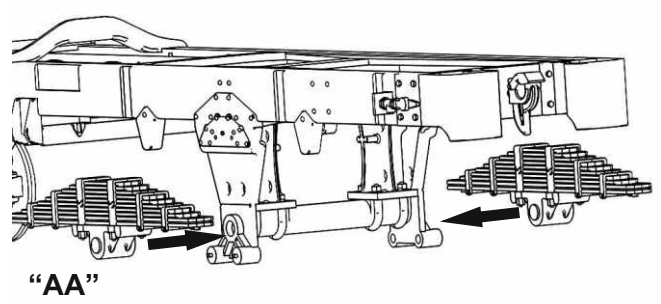
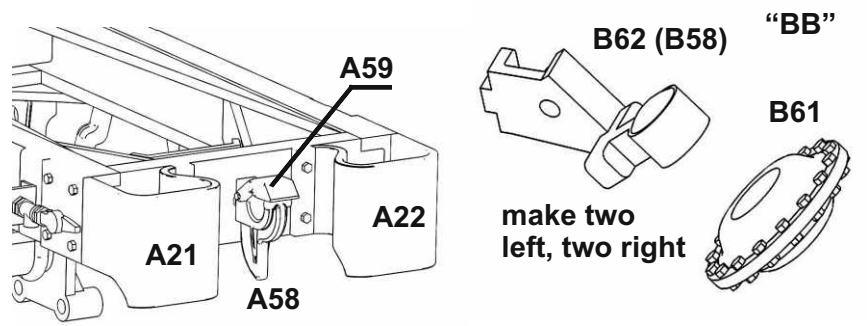
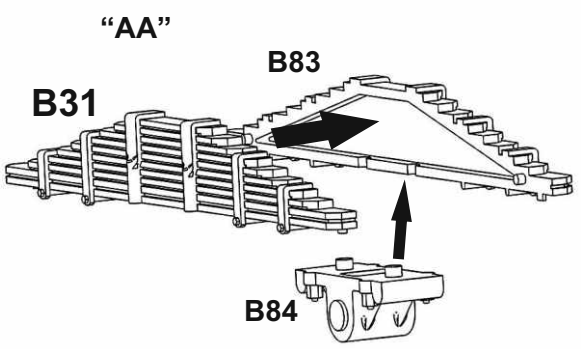
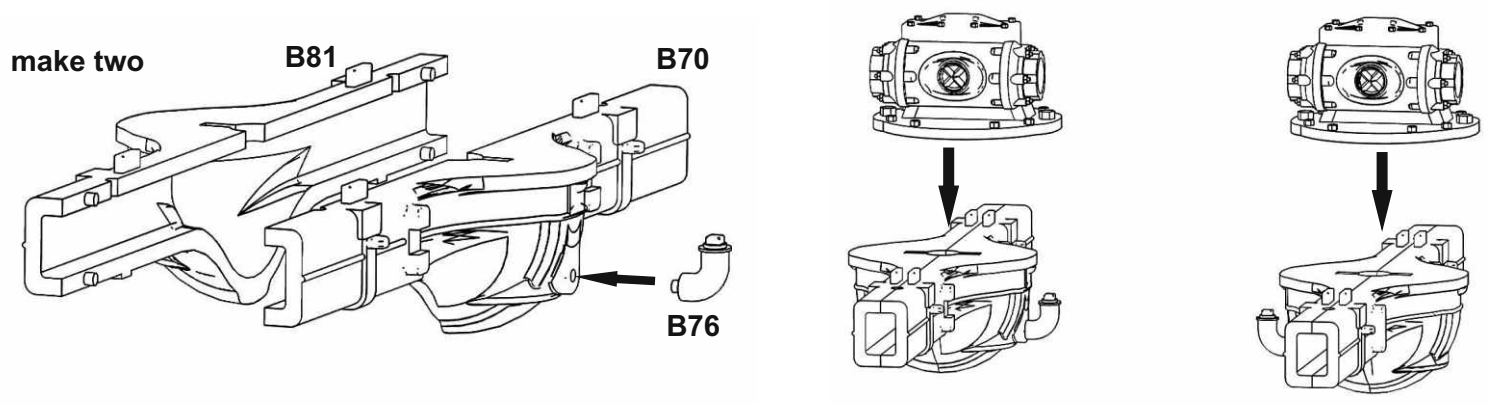
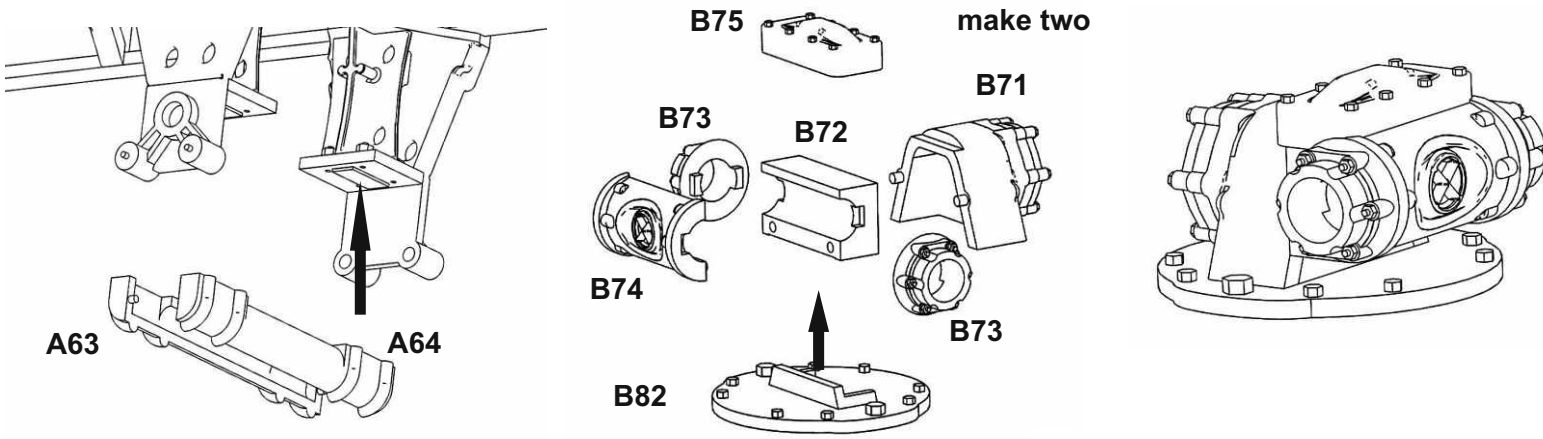
# Chassis



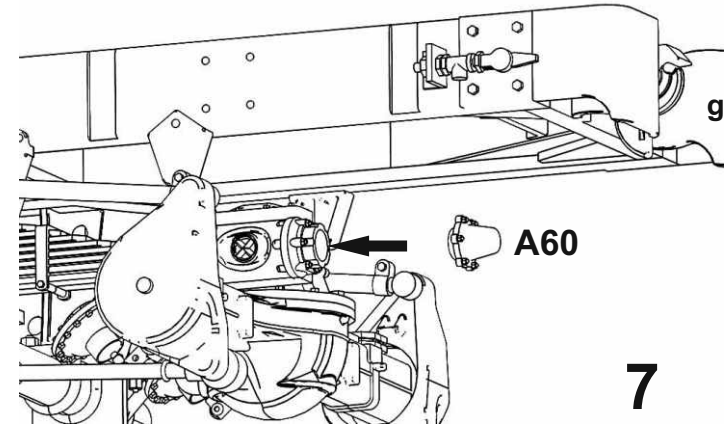
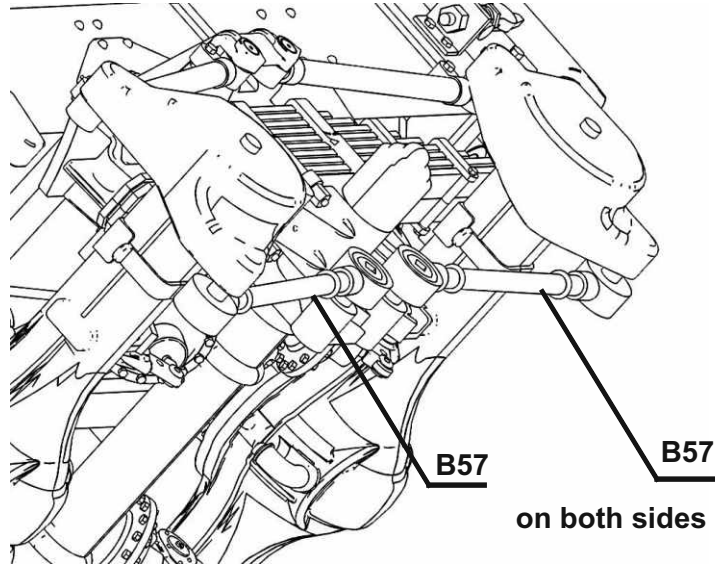
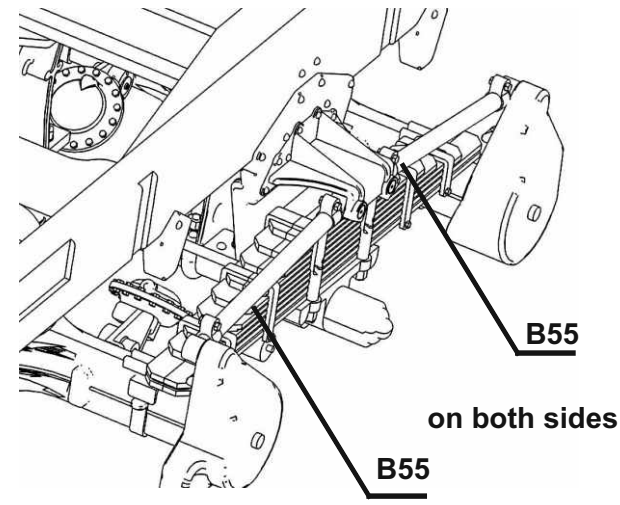
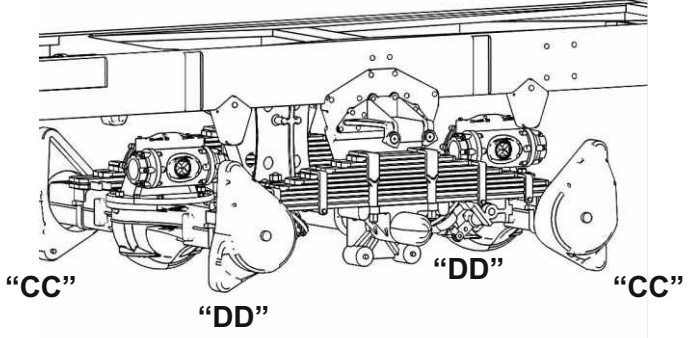
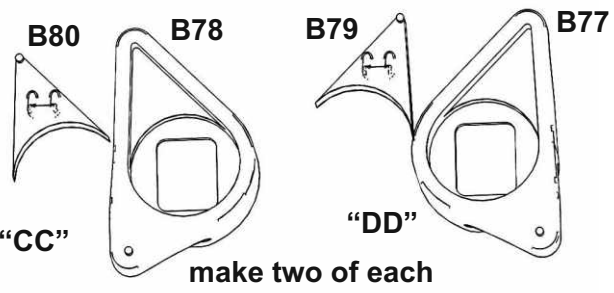
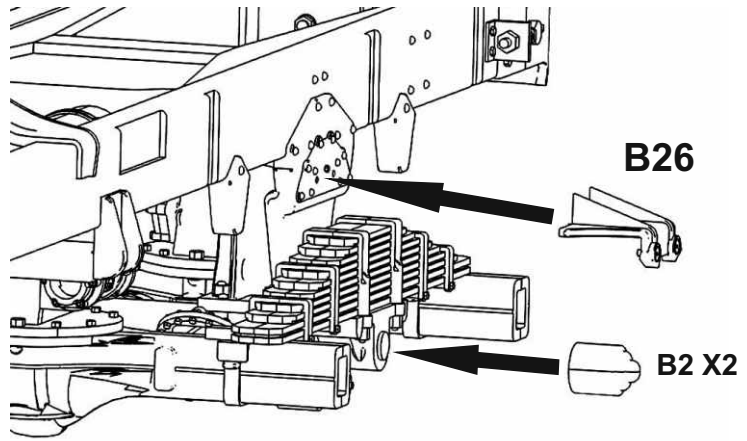
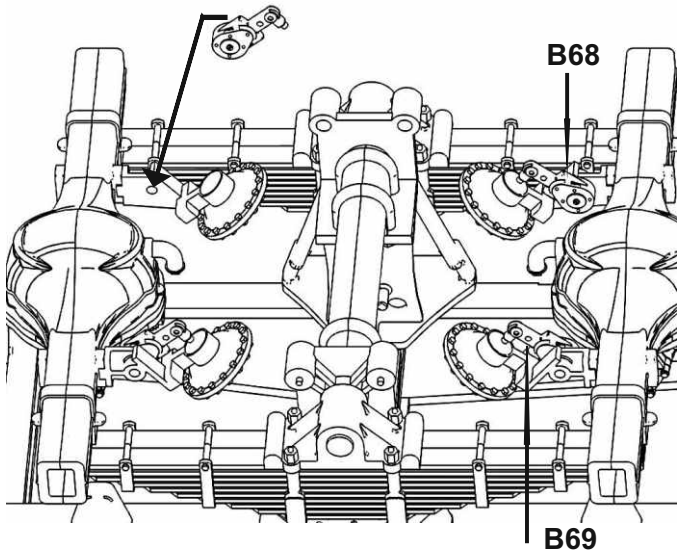
Assemble A43 into frame, but do not glue it until you fit engine later on, you might need to move it slightly forward or back, depending how accurate you have worked on back transmissions



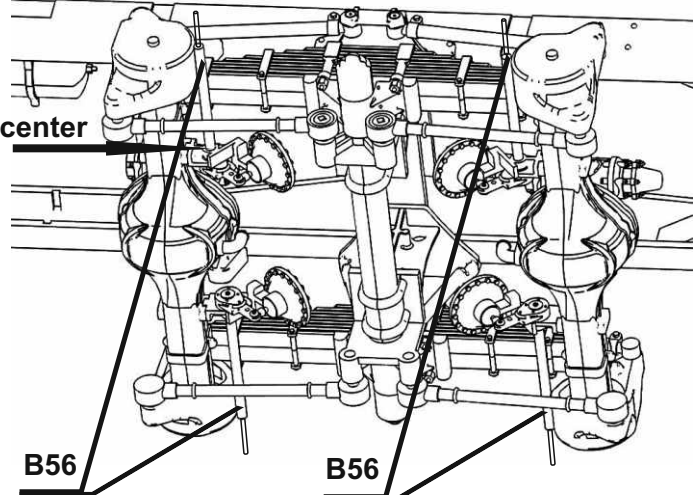


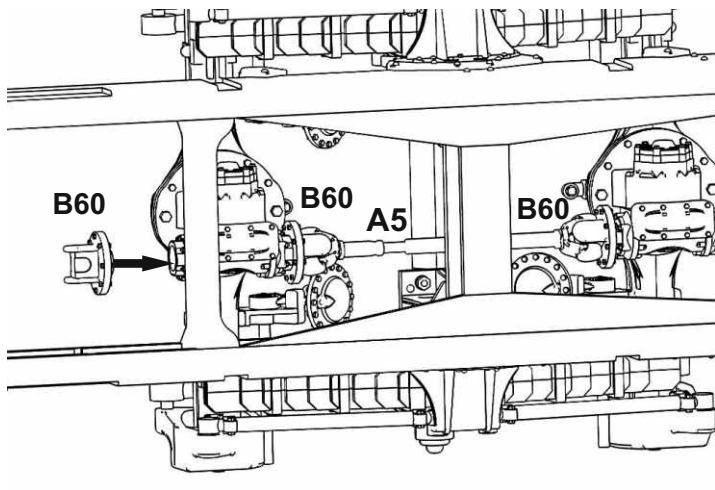


B69

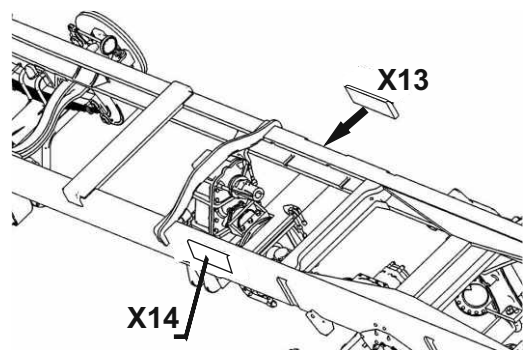
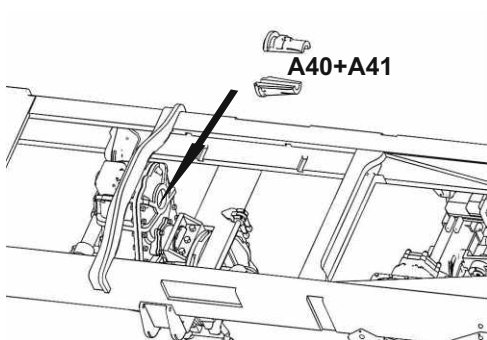
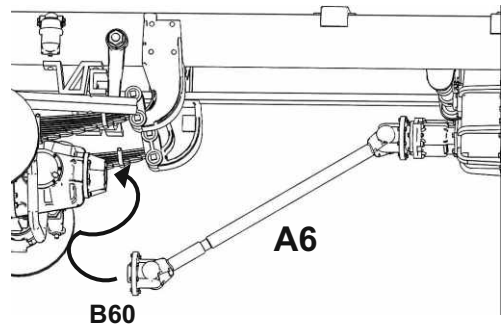
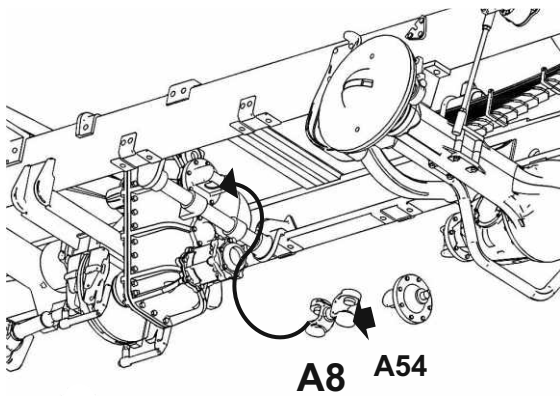
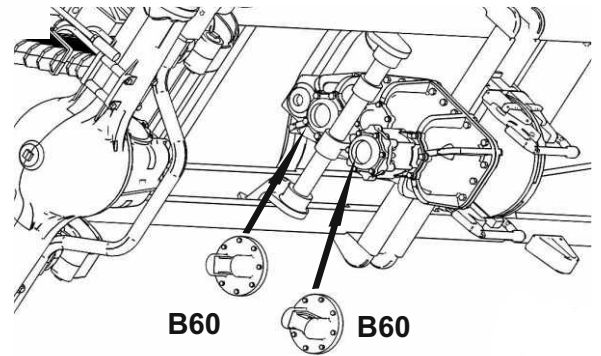
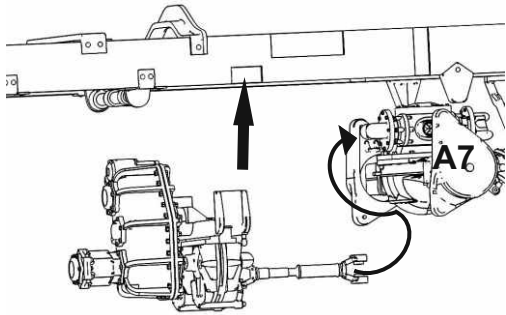
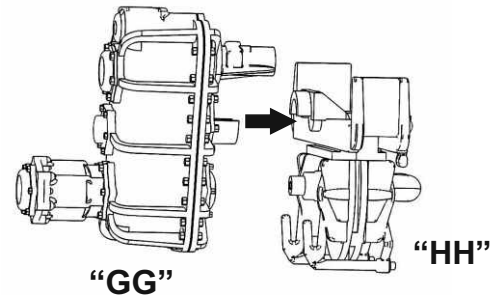
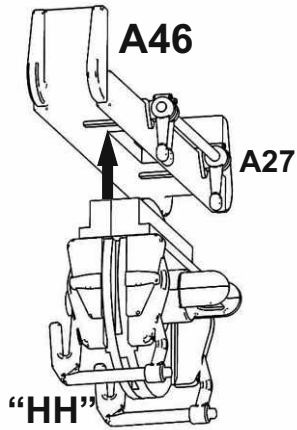
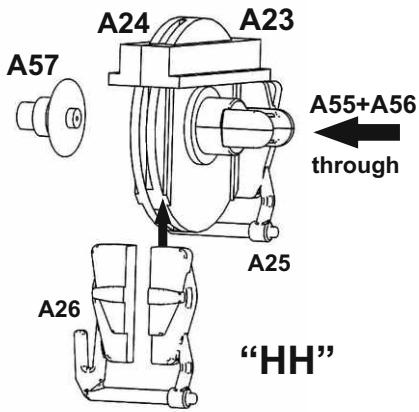
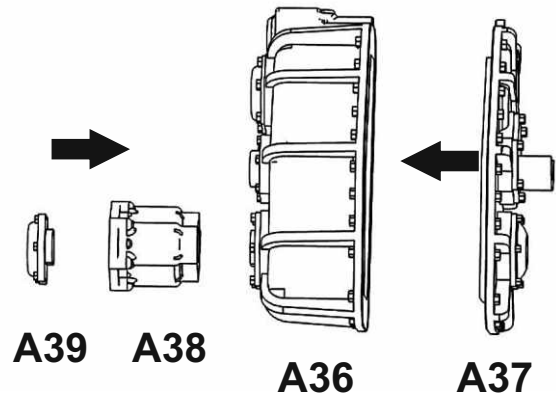


glue in center



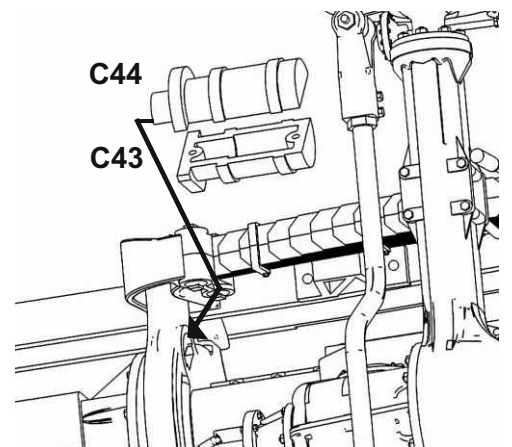
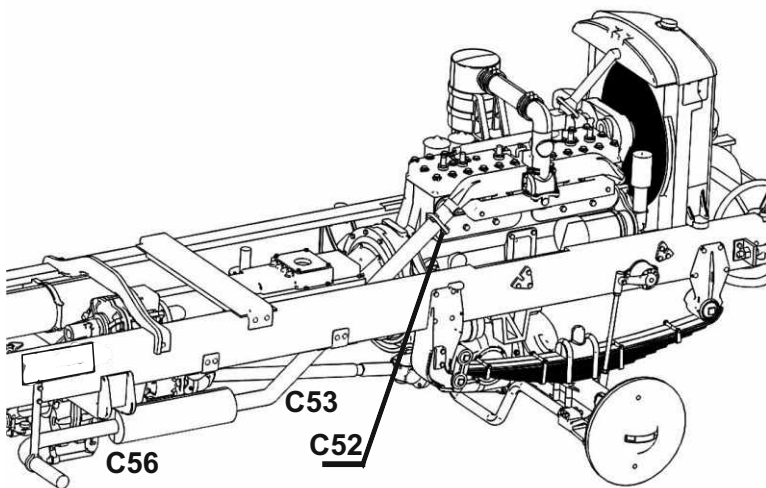
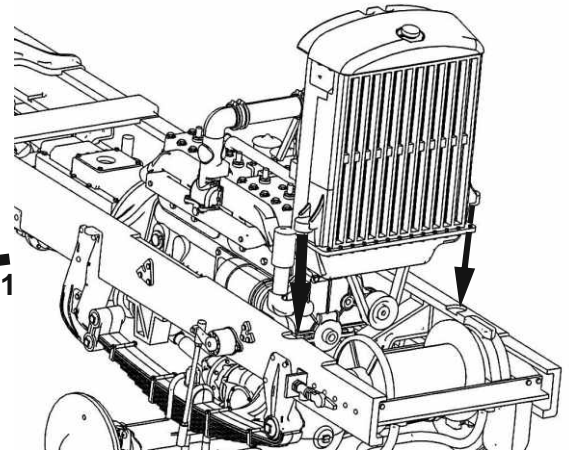
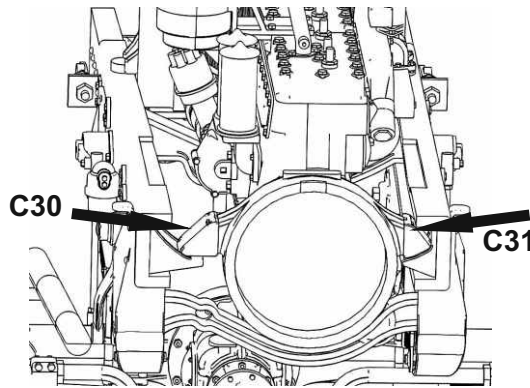
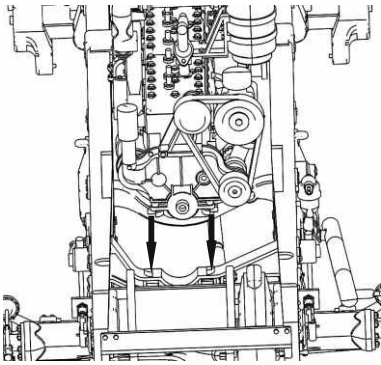
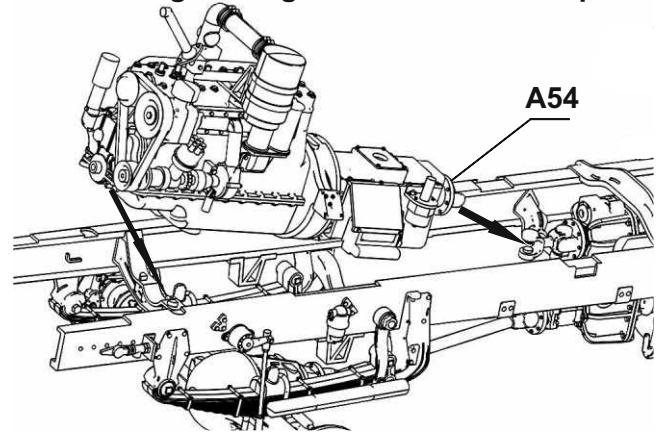
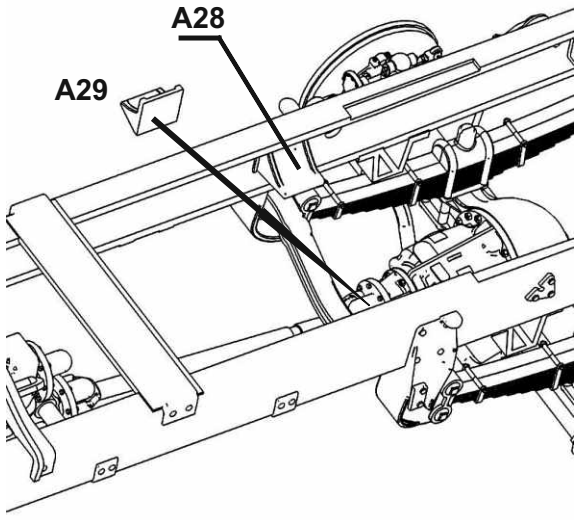


**“GG”**

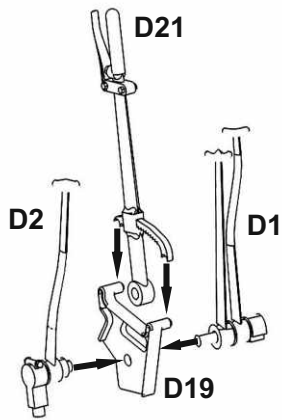




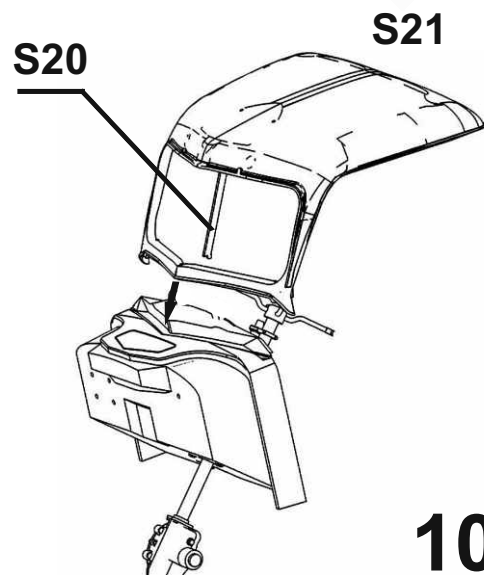
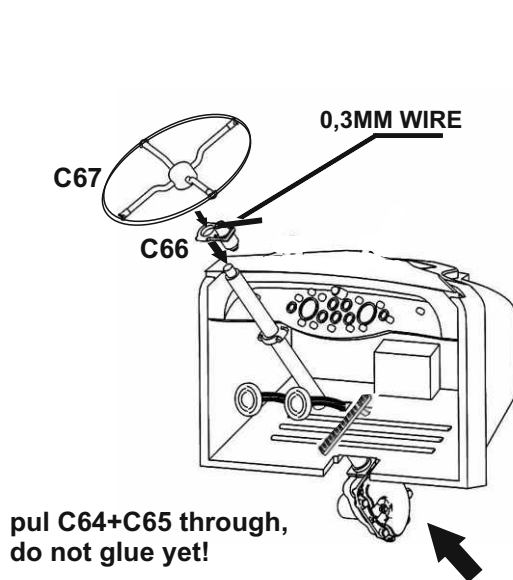
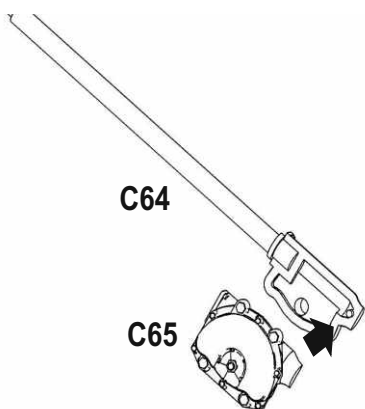
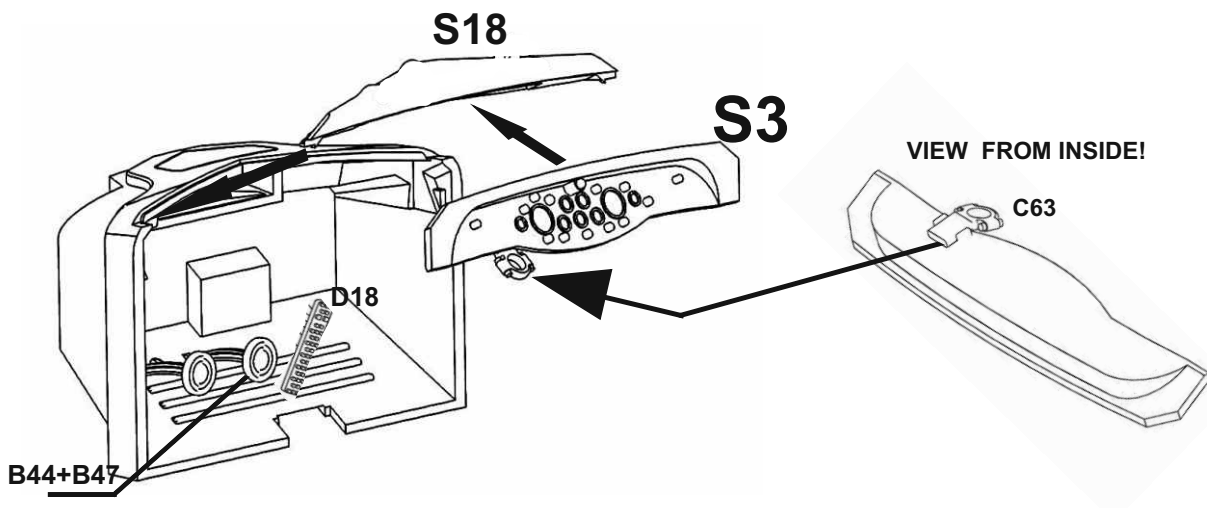
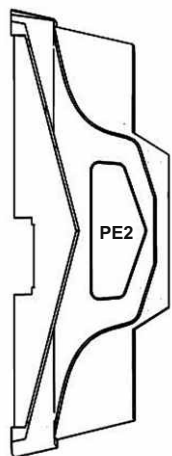
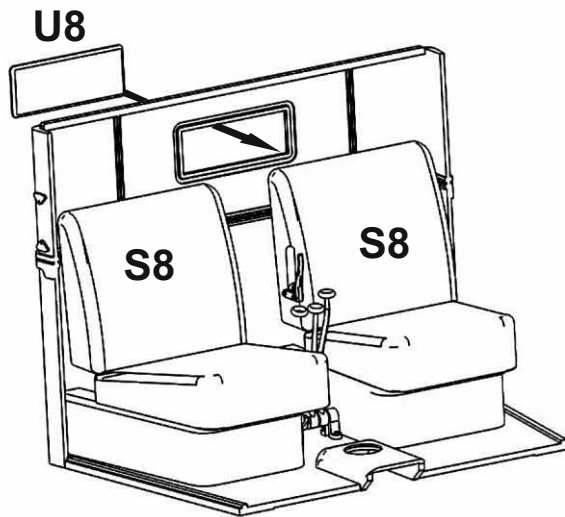
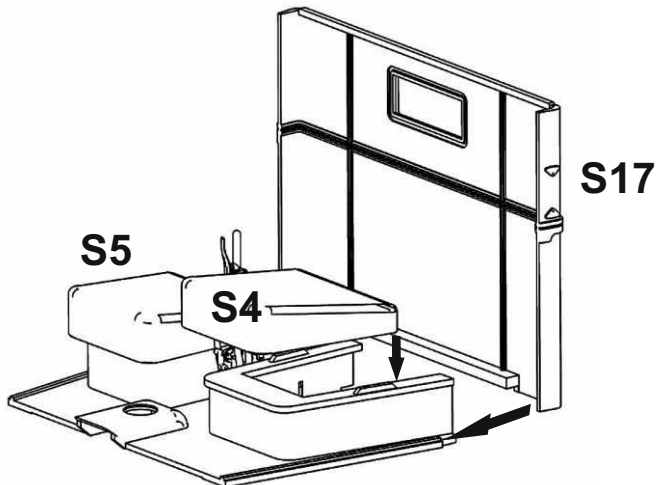
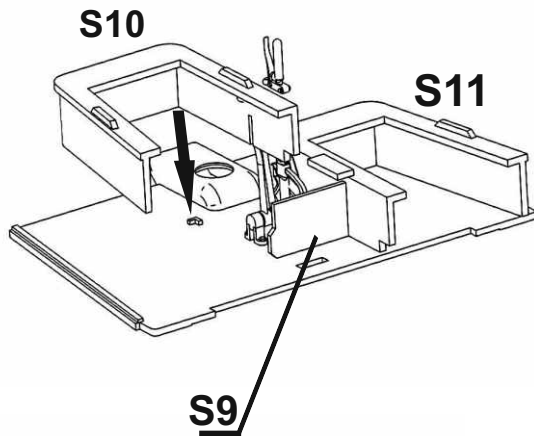
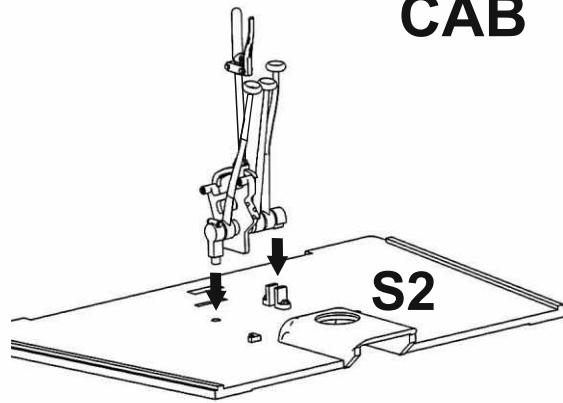
Fit engine at the back first, let it down - if needed, move engine crossbeam A43 slightly front or back and once fitted glue engine and also A43 in position

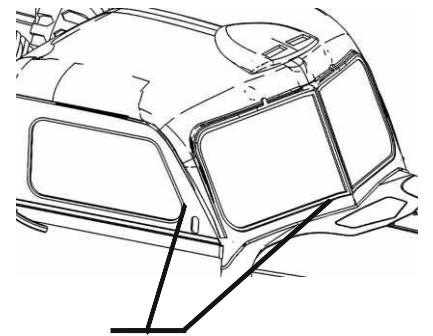
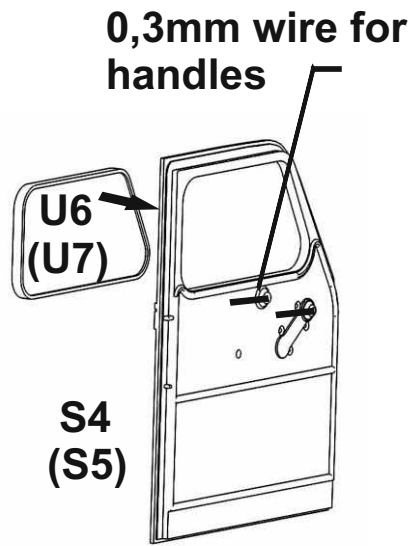
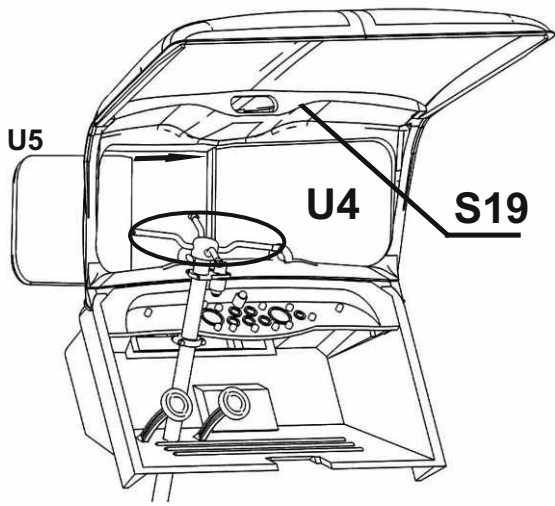


# CAB

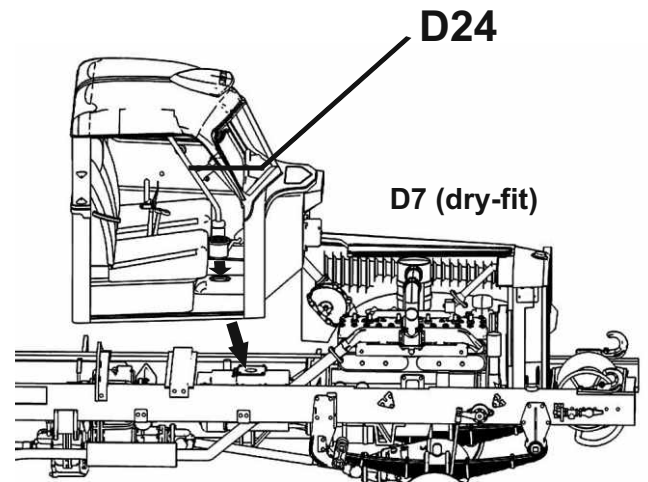
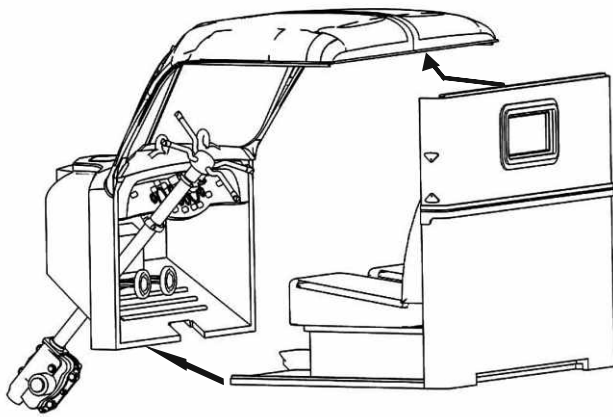


D19+D21 FIRST, THEN D1,D2

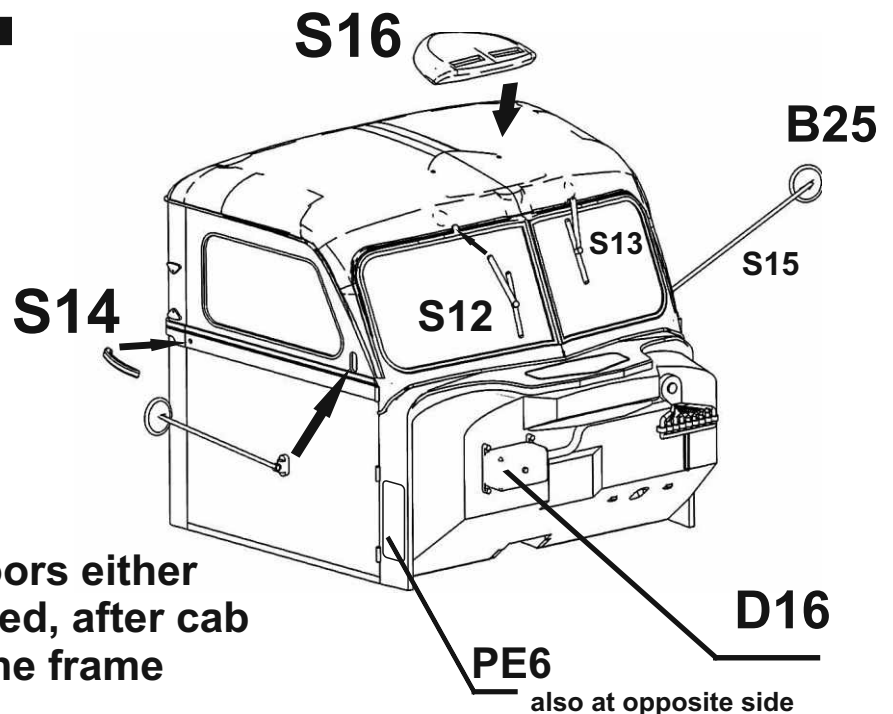
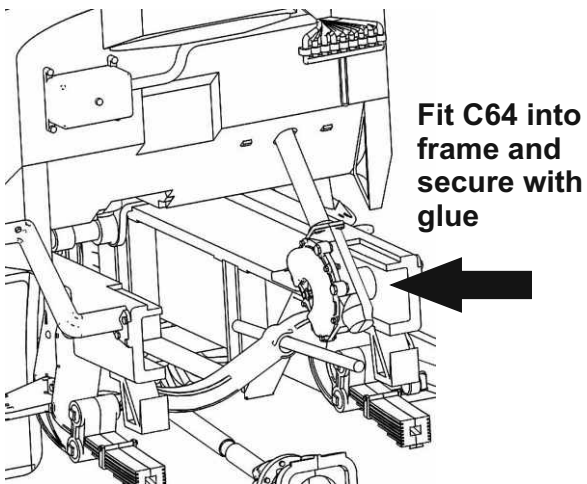




outer edges of clear parts on same surface level with cab parts



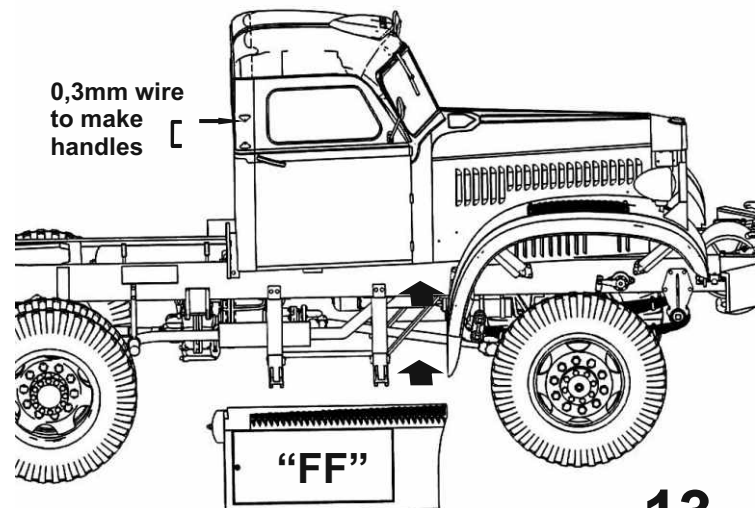
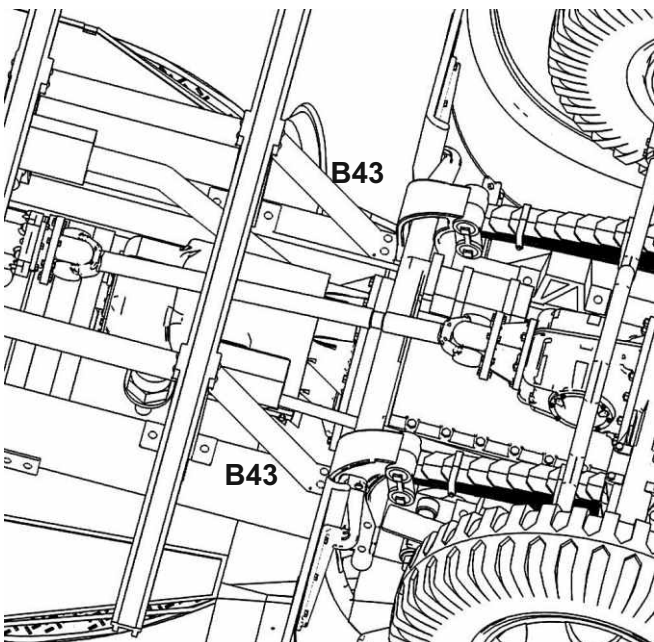
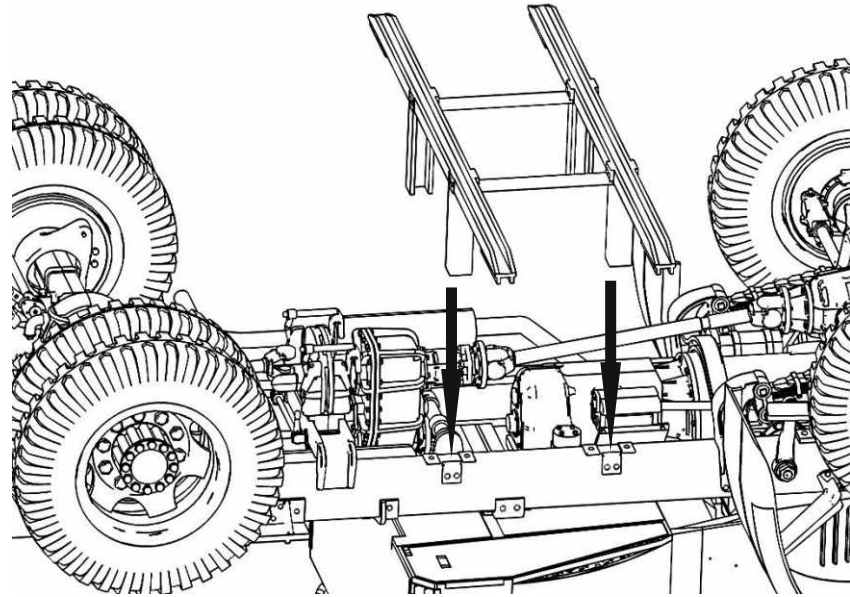
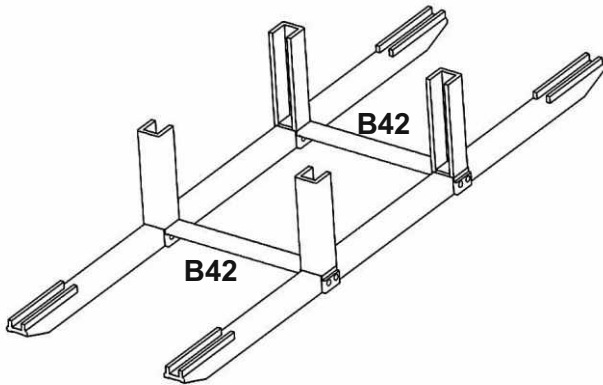
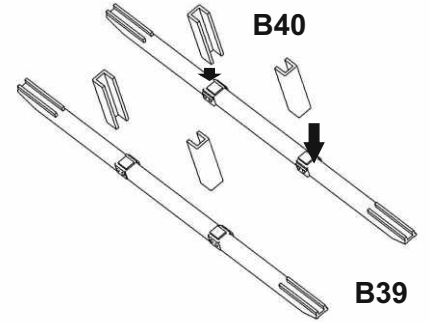
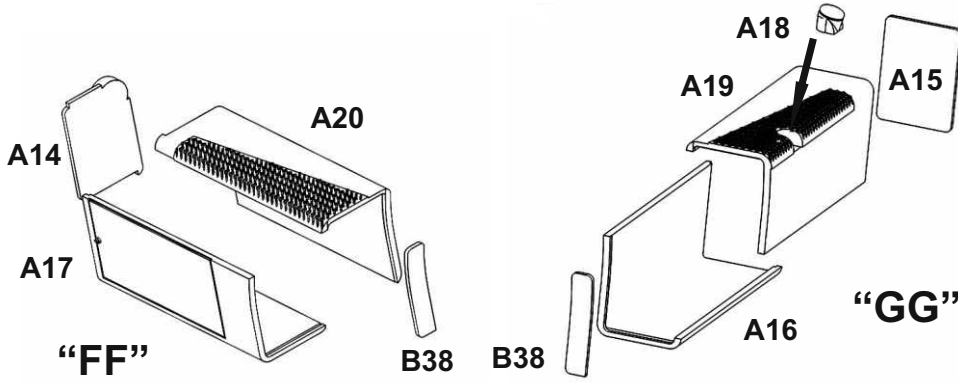
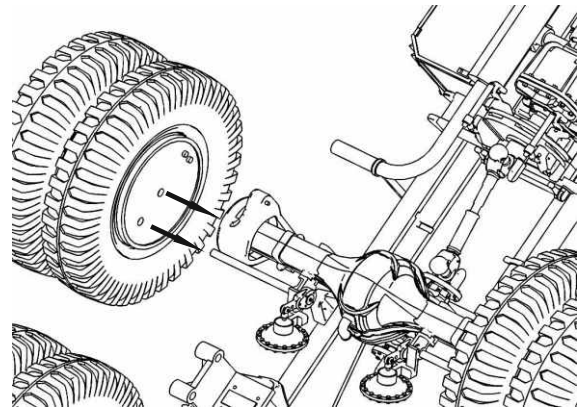
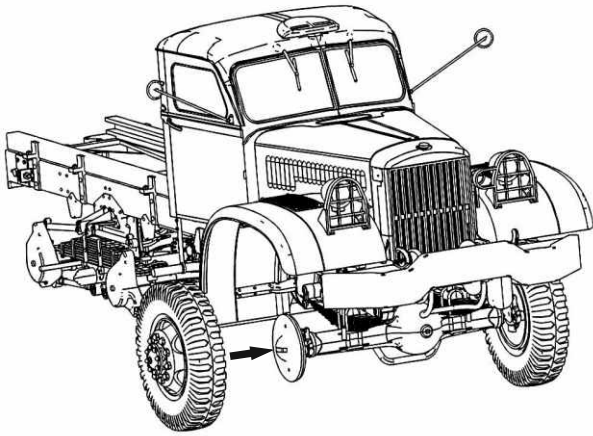
Dry-fit exact position of the cab with engine cover D7, hole in the cab floor should fit with hole in gear box, once in position, put D24 through hole in the cab floor and glue into hole in gear box. Or you might prefer to assemble engine covers first, and then glue cab in position once cab is glued in right position, remove D7 for further assembly



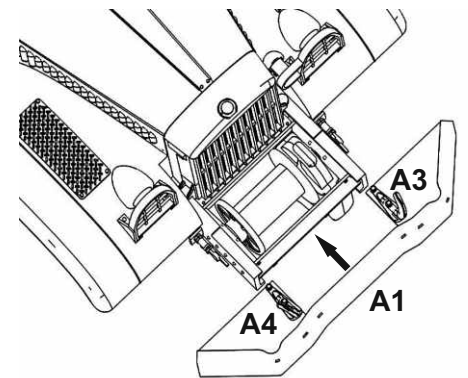
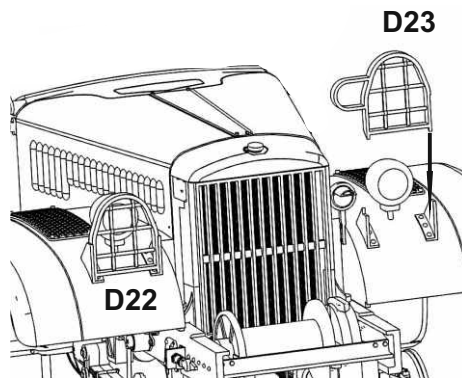
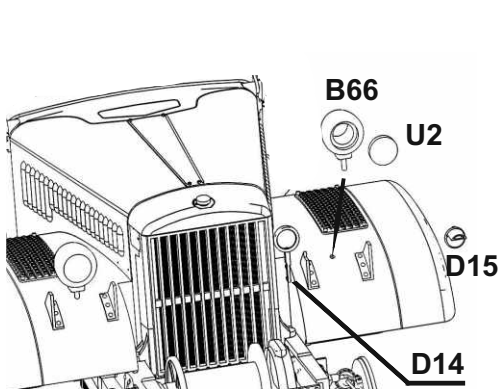
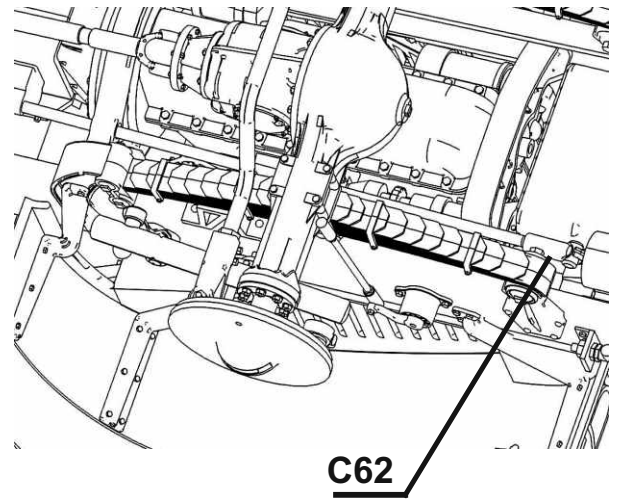
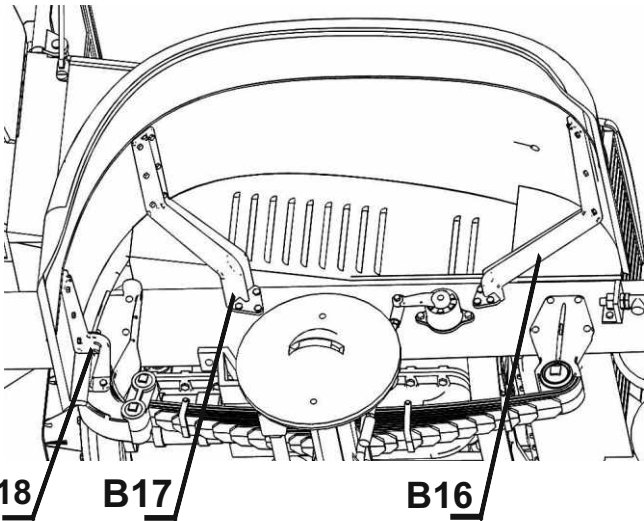
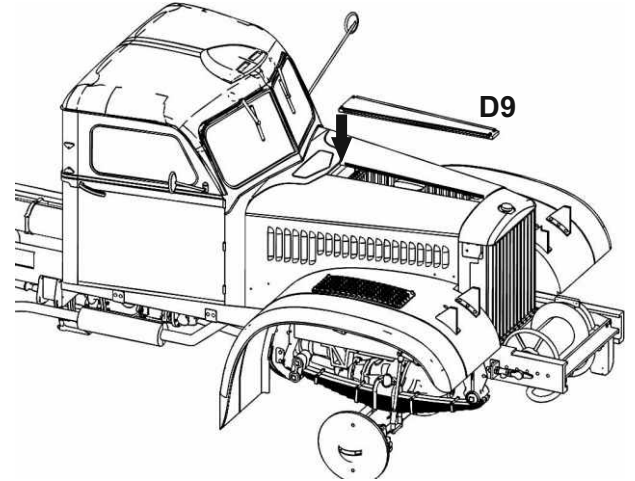
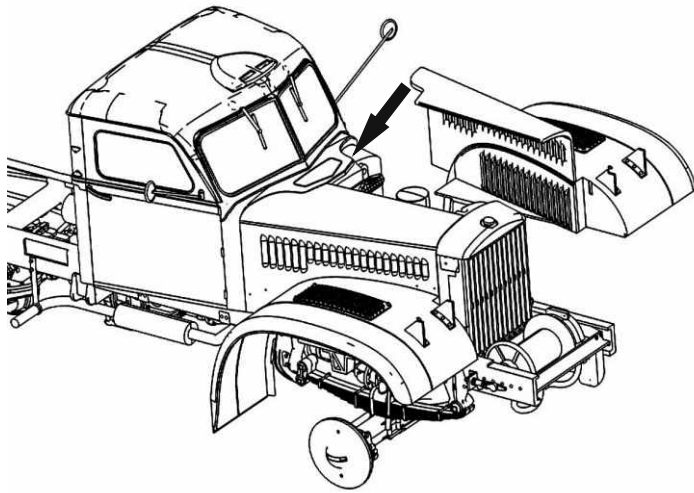
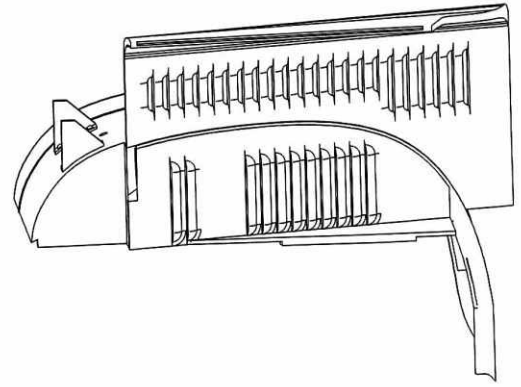
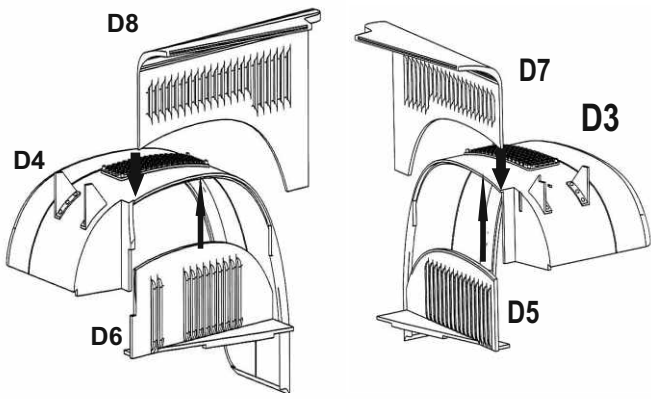
assemble doors either open or closed, after cab is fitted on the frame

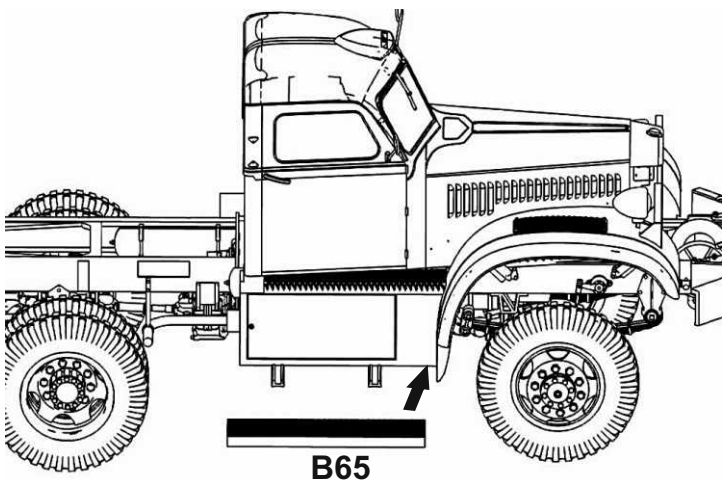
also at opposite side

you can assemble front and rear wheels now or in the last step

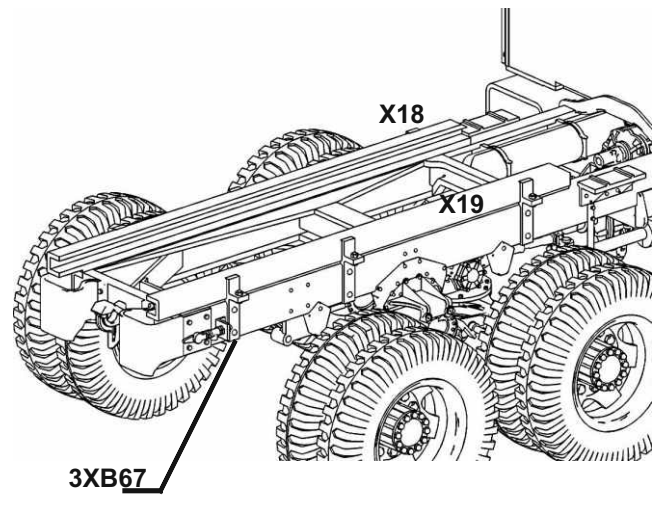


assemble "GG" on opposite side



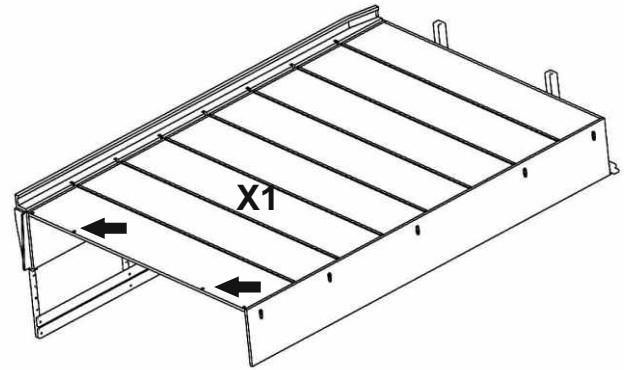
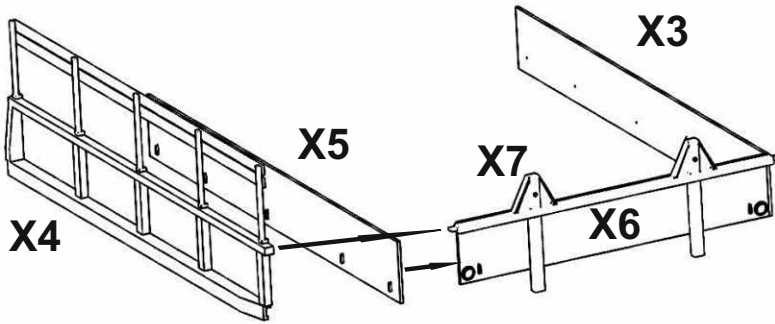


**B65**  
on both sides

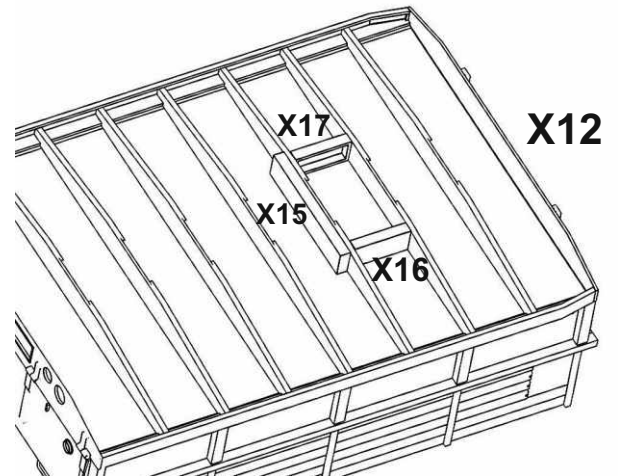
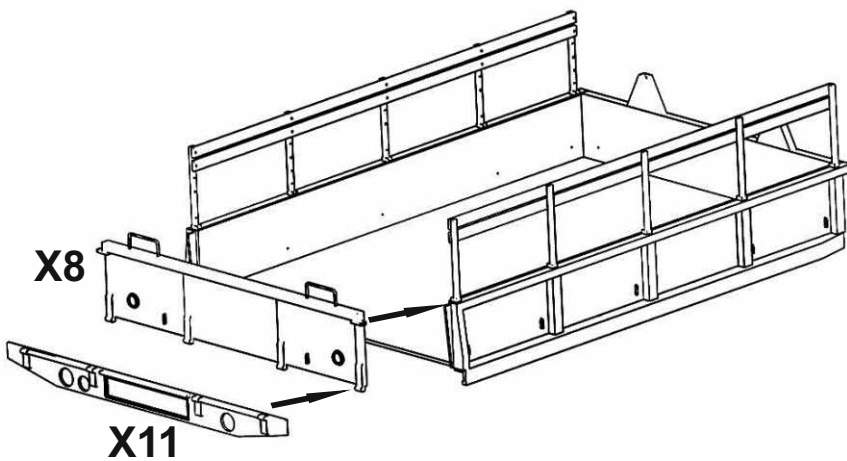
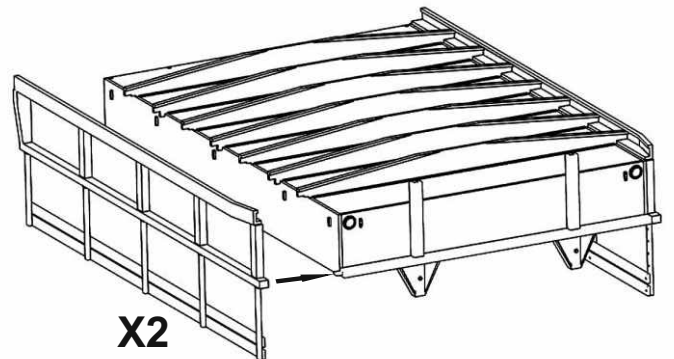
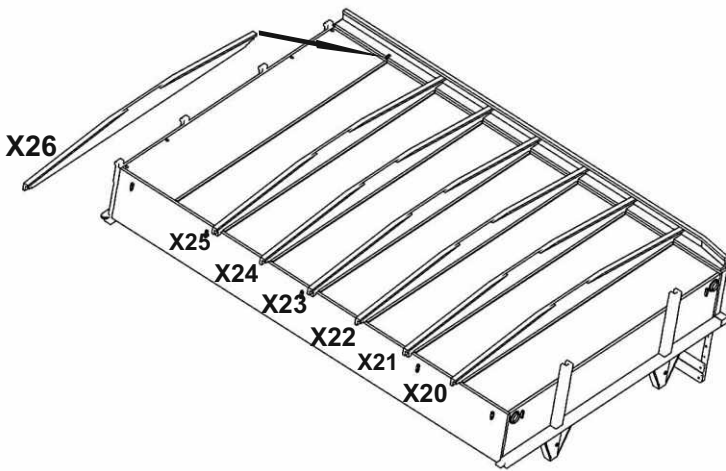


**3XB67**  
(also opposite side)

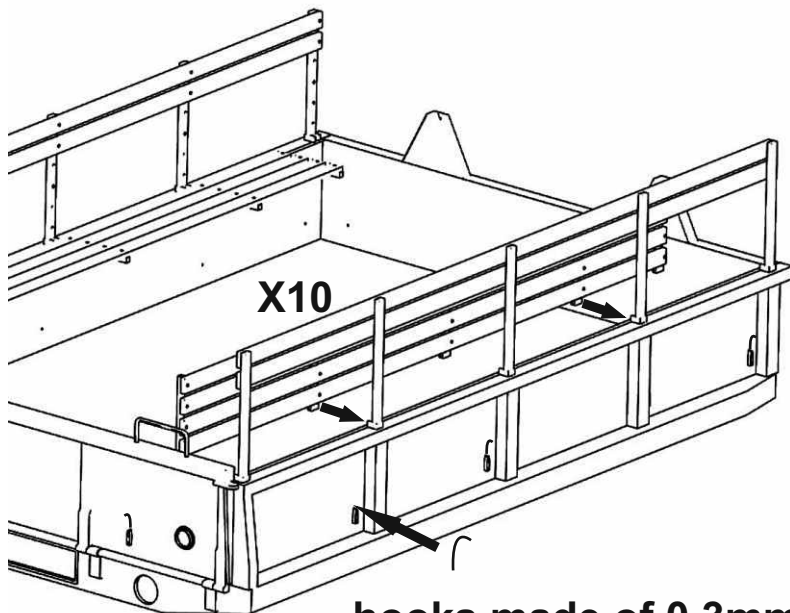
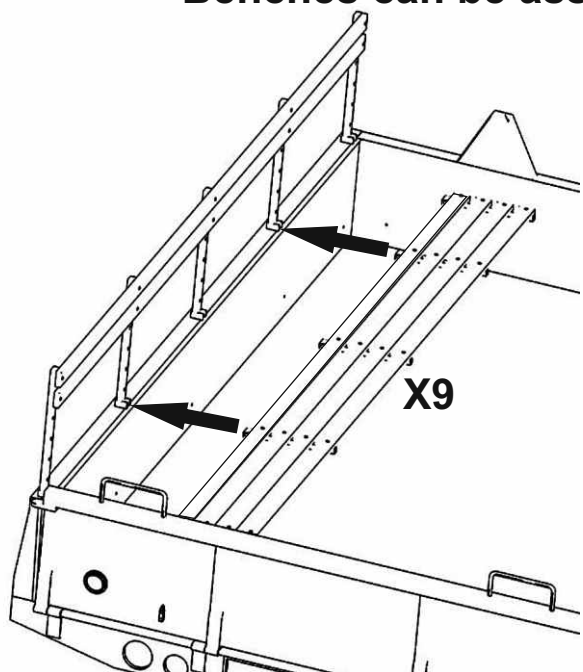
## Body



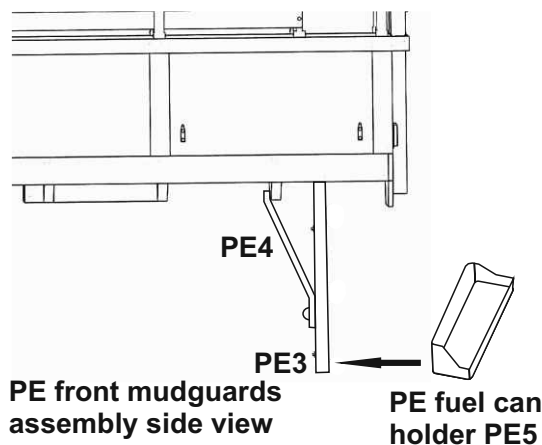
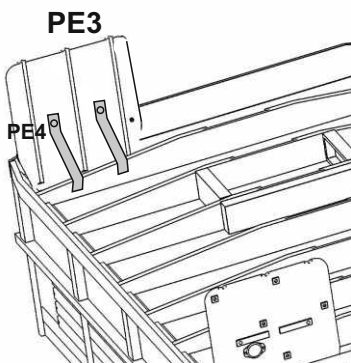
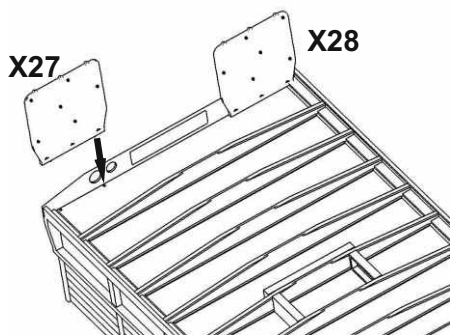
**Mind the floor correct position  
with holes located at the back**



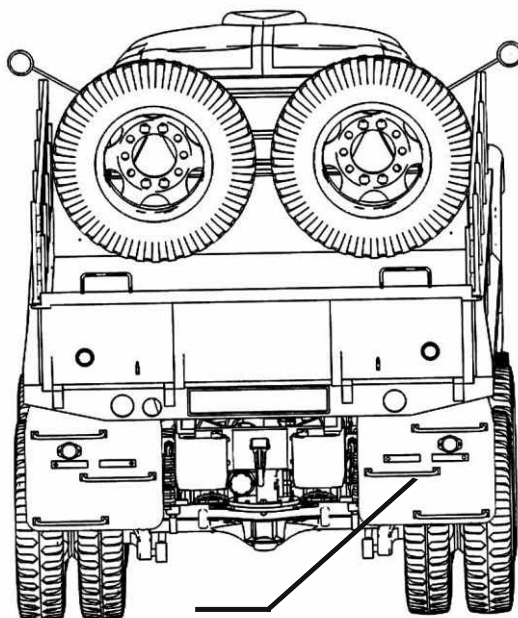
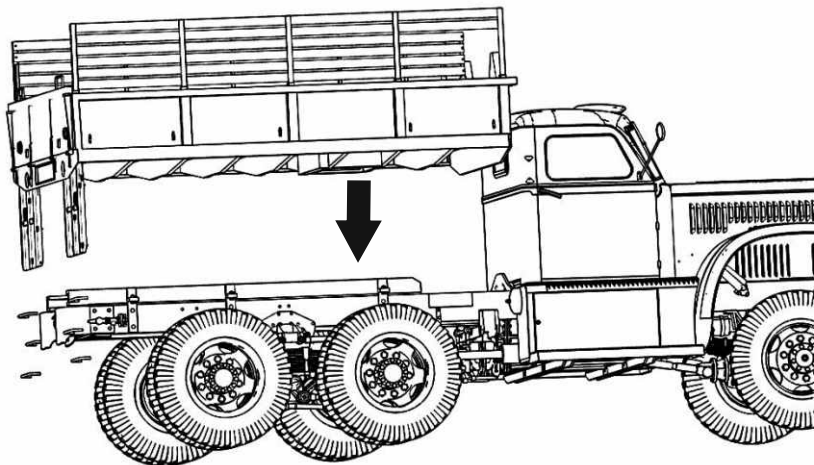
# Benches can be assembled in seating or standing position

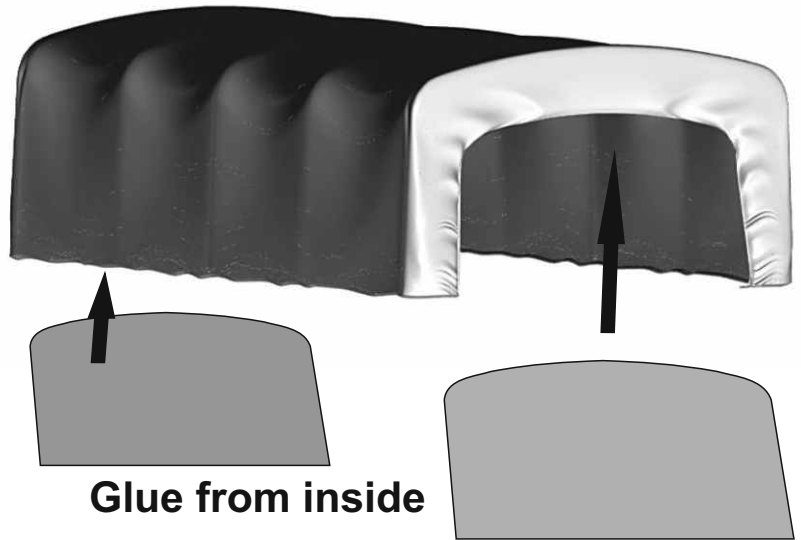


hooks made of 0,3mm wire to secure canvas



## assemble spare wheels





**Vacuum formed canvas can be easily modified and shaped further with suitable tool like a pen or nail. Drill little holes on bottom edge and use 0,2mm wire or thread to secure canvas on tension hooks. Certain painting techniques can make realistic looking texture. Additionally vacuum formed canvas can be also used as a master pattern to build on it a paper shell - use thin napkins or toilet paper and amount of suitable glue for paper, shape and bend wet paper in several layers as desired - when glue has dried, you receive nicely looking canvas with excellent texture and it can be again shaped more.**

**Painting - olive drab in US Army service (color painting and marking scheme on the kit box side), canvas in brown, tyres in flat black**

**Markings - see dashboard above, vehicle marking example on the box cover side, decal sheet includes this and another set of numbers for second option**

**If you have experienced missing or damaged part, contact us directly for replacement at [info@mirror-models.com](mailto:info@mirror-models.com)**

**Coming soon: 1/35 Diamond T 972 Dump Truck  
1/35 Diamond T Special Purpose Truck (Corps of Engineers service)  
1/35 Caterpillar D7 tractor**