

**Alouette III of World Air Forces: PART 7** (designed for 1/72 scale)

**Malta, Mauritius, Peru, Portugal, Suriname**

The French company Sud Est/ Sud Aviation developed in the 1950s a number of helicopters such as the Alouette III. First flight was in February 1959. The Alouette III type designation was SE3160 and later at Aerospatiale SA316 with Artouste engine or SA319 with the Astazou engine. The Alouette had several roles typical of light helicopters and was very reliable. The last Alouette III was delivered in 1985 from Aerospatiale. But the Alouette III remained to be built in license at Hindustan Aeronautics (HAL) in India as the "Chetak". Over 2,000 Alouettes were manufactured and it was used by over 50 World Air Forces and many are still flying the Alouette III today.

**CAMOUFLAGE AND SCHEMES**

There is a large variety in Alouette III schemes as used by various World Air Forces.

See the particular suggestions of each scheme. My website [AircraftinPlastic.com](http://AircraftinPlastic.com) can help building your model. On the website also books and internet sites are listed and are some manufacturer downloads available.

Often configurations varied as Alouettes delivered to an Air Force could be fitted with floatation gear and a hoist. Different antennas and pilot aids could be fitted like rear view mirrors. So it is strongly recommended to study photos in books and internet to pick a particular Alouette though it maybe difficult to find a photo. The precise scheme colours used by a particular Air Force are often unknown.

On the decals sheet are as a few extra tail rotor warning and Alouette markings. Sometimes also some extra codes and numbers make it possible to make a slightly different Alouette model.

**DECAL APPLICATION**

The decal sheet has ONE continuous print film, so each decal needs to be cut out with fine scissors. No other prior decal preparation is needed. Each cut out decal can be applied as usual after soaking it a short while in water. Decals are EXTREMELY THIN, so slide off from the wet backing sheet on a horizontally held GLOSSY model surface. not use tweezers! They will fold doubled!

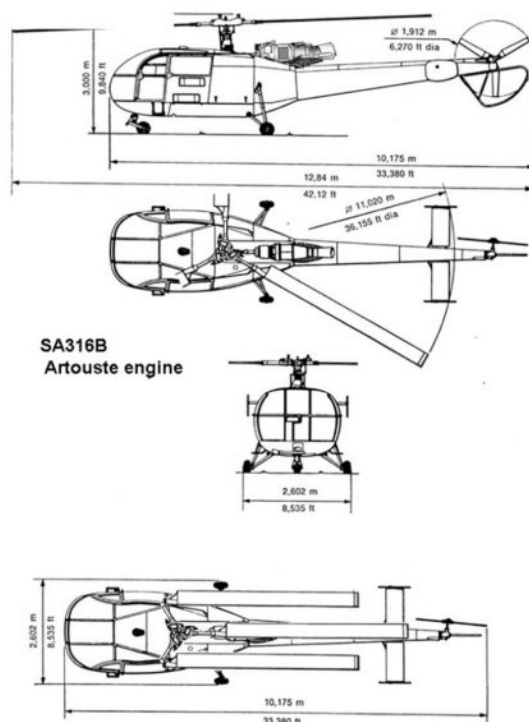
Note that a decal that contains a white section is often split in two parts. apply the full decal marking, first set the white decal section at correct position and on top of that the coloured section. On the decals sheet you often see an "arrow" to indicate this way of application (on white surfaces, white section is optional).

After all decals have been applied, finish the model with your preferred final gloss, matt or semi-matt varnish coats. This will also protect all the decals.

**MODEL KITS**

In 1/72 scale only **Heller of France** has an Alouette III kit that has appeared in various boxes with some changes in parts. In the kit are parts the SA316 with Artouste engine or SA319 with the Astazou engine.

(Note: the same 1/72 kit was also released by **Kovozavody Prostejov**).



Do  
To  
will  
the

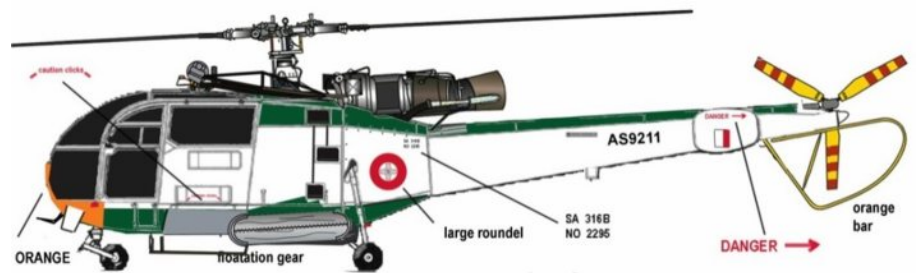


for

## Malta (2 schemes)

At least 10 Alouette III SE3160 / SA316B helicopters were used by the Malta armed forces. The first 3 were donated by Libya and overhauled in France. Many years later a few ex-KLu Dutch Alouettes were purchased. They fly with the Maltese Air Squadron.

This SA316B c/n 2295 coded AS9211 is fitted with SAR equipment like hoist and often the port lower cabin panel has been removed (so a gap is there). Flootation gear was also fitted. It has a white and Maltese green trim (approx. FS14090). The nose has bright dayglow orange panels. The sun roof top cabin windows seem to be transparent green.



(code AS9315 of a similar Alouette is also on the decal sheet).

(the white decal bits may not be needed on the white surfaces).

Look for an old modelling report at the website:

<https://aircraftinplastic.com/models/alouette-3/alouette-6.html#malta>

The tail rotor colours are standard yellow with red stripes as is the tail bar. The exhaust cover is also painted. There is a blade antenna on lower port nose and there are some fairings and stubs seen on the Alouette III.

This SA316B c/n 2315 coded AS9212 has another scheme but similar SAR configuration. It has probably a gloss gull grey finish (FS16640?) with white painted belly. The tail rotor colours are standard yellow with red stripes but the tail bar has gull grey and black stripes.



The floatation gear has often a black canvas. There is a blade antenna on lower port nose and there are some fairings and stubs seen on the Alouette III. The exhaust cover is painted gloss black. Note the smaller roundels and the danger arrows on the tail fin plates and badges.

## Mauritius

Mauritius established a Police helicopter unit from 1974. Some 7 Alouette III helicopters were operated including license built Hindustan (HAL) SA316B.

This HAL SA316B c/n AH289 coded "white" MPH-03 was flown from 1987. It has an overall green finish (approx. FS14108). (Revell Aqua 65 seems a good match).

Note the Govt. of Mauritius titles on the cabin sliding doors. The tail rotor colours are standard yellow with red stripes and a yellow tail bar.



Note: it could also be fitted with hoist and floatation gear.

Look for an old modelling report at the website:

<https://aircraftinplastic.com/models/alouette-3/alouette-4.html#mauritius>

## Peru

Some 15 SE3160 / SA316C and 3 SA319B Alouettes were used by the Peru armed forces and used with the Air Force, Army and Naval air service.

This SA319B (with Astazou engine) c/n 1945 coded N410 of the FUERZA AVIACIÓN NAVAL DEL PERU has an overall aluminium finish.

The tail rotor colours are standard but the tail horizontal stabilizer, tail fin plates and tail bar are orange. The yellow peligro marking is on each orange tail fin plate. Aft of the nose gear, a naval roundel is situated. A pair of wire antennas run from tail bar to main gear legs.



## Portugal (3 schemes)

The Portugal armed forces had a large fleet of Alouette III helicopters, in Portugal but also in their African colonies. Service entry was April 1963. There were many variations with some 142 Alouettes eventually operated. Many were also armed with machine guns installed on racks in the cabin and unguided rockets on stub/bar carriers being used in African conflicts.

A great reference on internet about Portuguese Alouettes is:

<https://neloolen-modelismo.no.comunidades.net/alouette-iii-52-anos-na-fap>



SE3160 c/n 1705 coded 19349 has a camouflage scheme of tan (approx. 30219) and bronze green (approx. 34052) and very light grey lower surfaces (approx. 36622). There is also a roundel situated aft of the nose gear at the fuselage belly. The tail rotor colours are standard yellow with red stripes and yellow tail bar.



This SE3160 c/n 1917 coded 19401 is flown by the Helicopter Demonstration team "ROTORES DE PORTUGAL". It has special colours applied over the standard camouflage scheme (are on the decals sheet for cabin and tail end plates).



Note: the ROTORES DE PORTUGAL titles were not always applied on the tail booms.

Sometimes a hoist and lifting gear was also fitted.

This SE3160 c/n 1802 coded 19372 has a Tiger scheme with special celebration 300,000 hours ("300,000 horas") badge at port and a World map at starboard. The tail boom sports black and yellow stripes. The forward fuselage is black and large portions of the fuselage are orange. On the windscreen, 2 "eyes" are seen (are decals, apply on the outsides over the frame).



On the belly a cartoon (decal) but no Portuguese roundel on the belly. The tail rotor is black with yellow tips and the tail bar is black and yellow.



*By combining numbers and serials, more Portuguese Alouette models can be made.*

## Suriname

The small Suriname air component called "LUCHTMACHT OF SURINAME" used 2 Alouette III SA316B and later from 2015 3 Hindustan license built HAL SA316B "Chetak".

This HAL SA316B c/n AH351 coded "white" SAF 303 has an overall blue-grey scheme (approx. FS15190). Probably yellow "Luchtmacht of Suriname" marking of starboard cabin sliding door and in yellow AIR FORCE OF SURINAME at the port cabin sliding door.



The tail rotor colours are standard yellow with red stripes and a yellow tail bar. The main rotor tips are bright red and the main rotor blades probably medium grey.

Look for an old modelling report look at the website page:

<https://aircraftinplastic.com/models/alouette-3/alouette-5.html#suriname>

-----

Please visit website: [www.aircraftinplastic.com](http://www.aircraftinplastic.com)



© copyright 2023