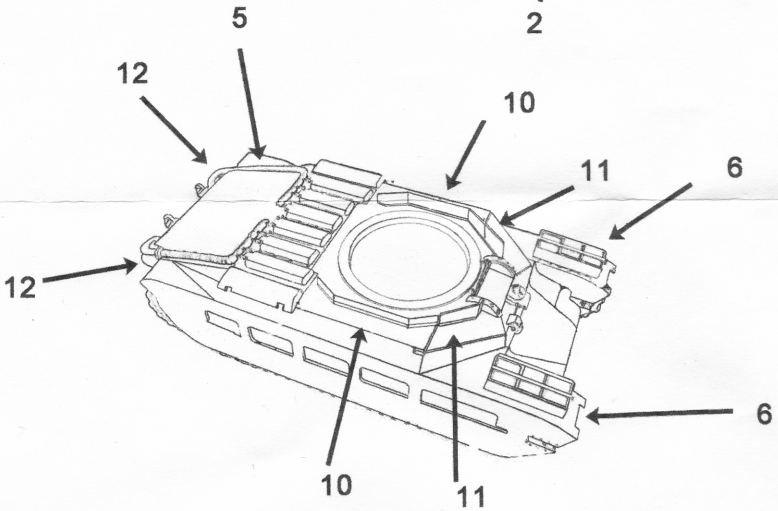
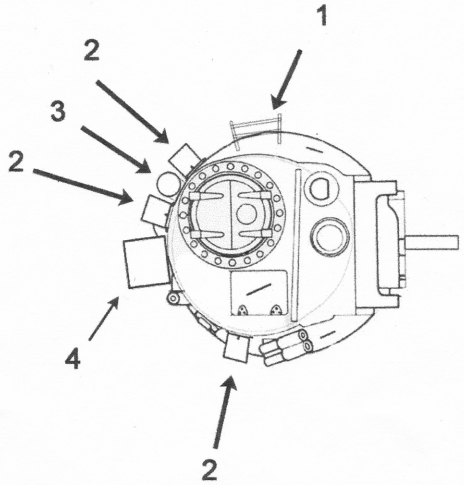


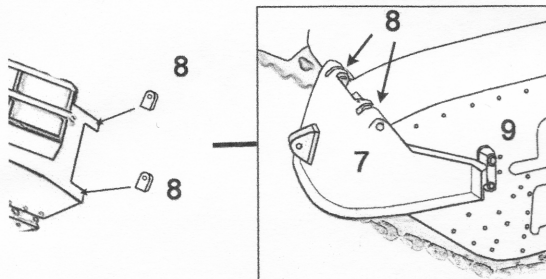
FS35204 Australian Matilda Conversion

Parts

1. Turret Stowage
2. Turret Stowage Boxes (3)
3. Tube
4. Ammo Box Stowage
5. Phone Box
6. Fuel Racks (2)
7. Track Shields (2)
8. Shield Mounts (4)
9. Shield Locks (2)
10. Turret Ring (long sides)
11. Turret Ring (short front)
12. Rear Steps (2)

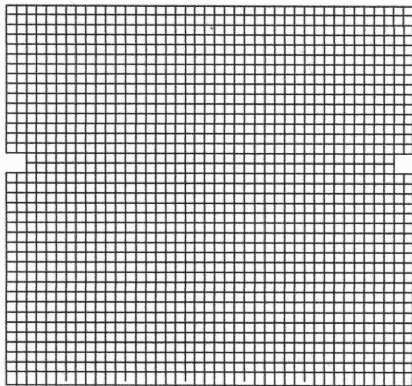


Track Guard assembly



FS35210 Matilda Steel Mesh Rear Deck

Front of Tank



← Cut gap
for exhausts