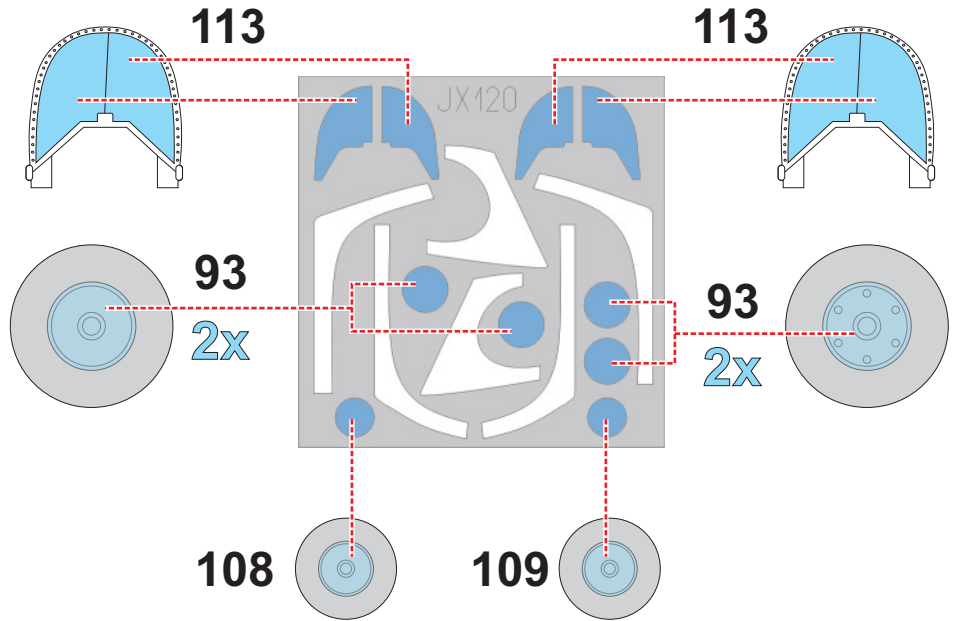
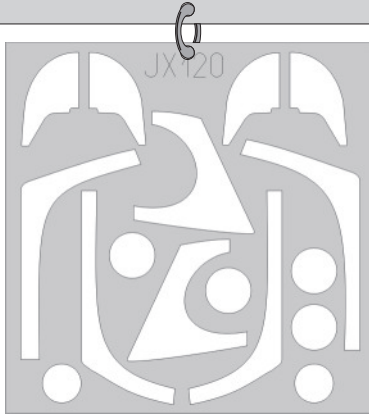


eduard
MASK

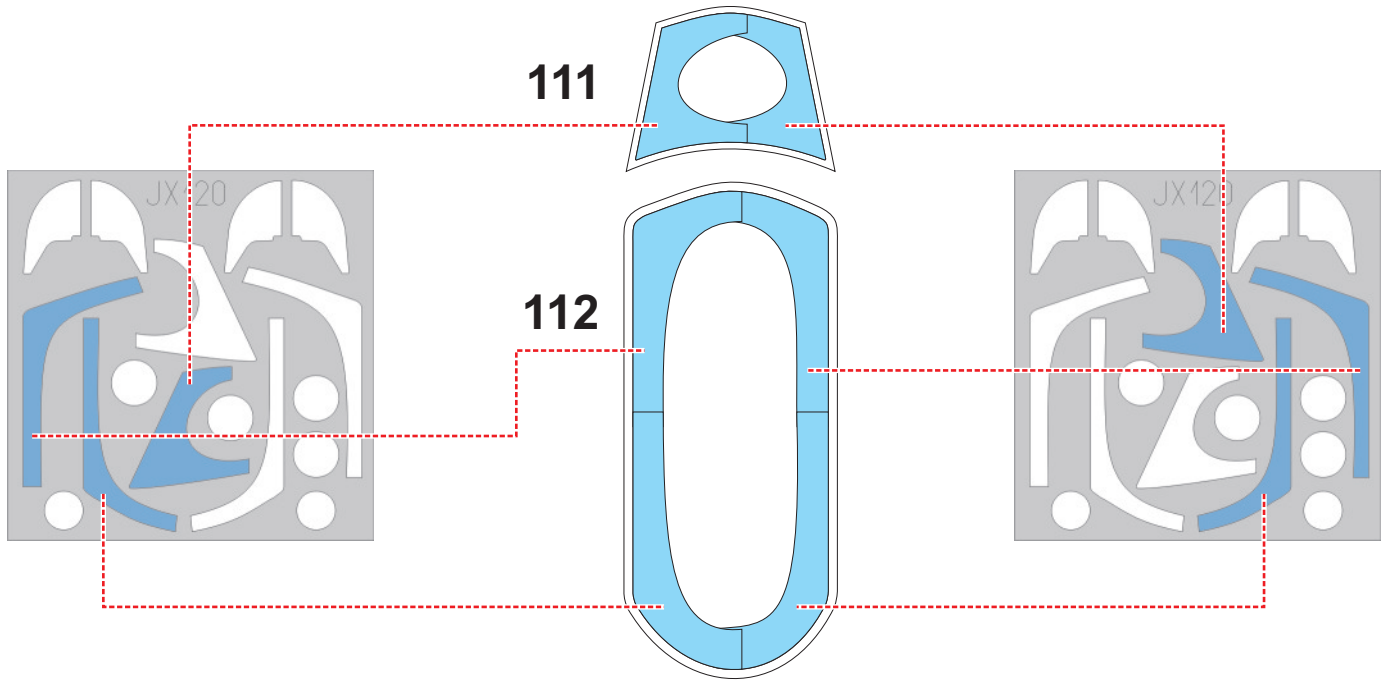
JX 120

Hawk T1 Mk.53 1/32

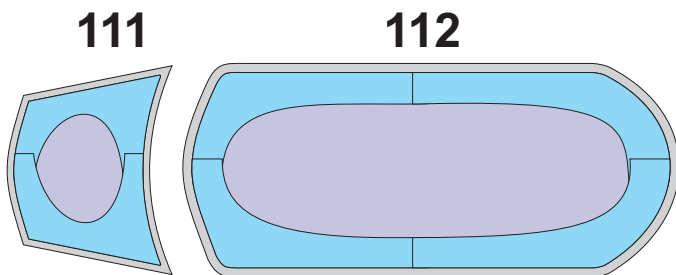
The die-cut mask for accurate canopy frame painting of the
Revell scale 1/32 KIT



1.)



2.) LIQUID MASK ■



3.)

