

Russian Su-27UB Flanker C

俄罗斯Su-27UB"侧卫"C战斗机



READ BEFORE ASSEMBLY:

- Study and understand these instructions thoroughly before beginning assembly
- When needed, remove photo-etch parts carefully using a modeling knife or photo etch sprue cutter, being careful not to damage or lose small parts.
- Take extra care in handling photo etch parts in order to avoid injury
- Apply instant cement sparingly to photo etch parts where instructed
- Tools recommended(not included in kit):Plastic and instant cements, sprue cutters,long nose pliers,modeling knife, small files, tweezers, pin vise & scissors. Soft cloth and sandpaper will also assist in construction
- Glue and paint are not included in the kit. Use plastic cement and hobby paints only. Color guide for purchasing paint is included in the kit.

装配之前仔细阅读

- 小心用模型锉刀锉平所有零件表面的注射浇口。
- 小心用刀片切下蚀刻片零件，不要遗失小零件。
- 用强力快干胶水粘合蚀刻片零件和金属轴。过量快干胶水使用可能导致可动零件会粘住，小心涂胶。
- 取蚀刻片时应特别注意安全，防止利边划伤手指。
- 某些零件表面需贴上水贴纸，请选择在装配的同时进行。
- 推荐模型工具(自备)：胶水，水口剪刀，长咀钳，刀片，锉刀，镊子，钳，钻，剪刀，瞬间快干胶。
- 软布同砂纸同时也应该是必备工具。
- 请使用塑料胶水和油漆，模型内不含。



配重
Weight



使用强力胶
Cyanoacrylate glue



钻孔
Make hole



切除
Cut / Remove



贴纸
Decal



锉平
File / Sand



选择
Option



不涂胶水
No cement



弯曲
Bend

水贴纸的使用:

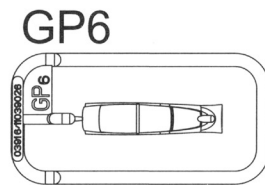
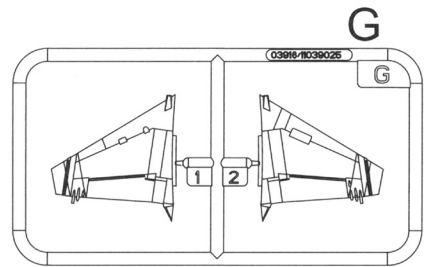
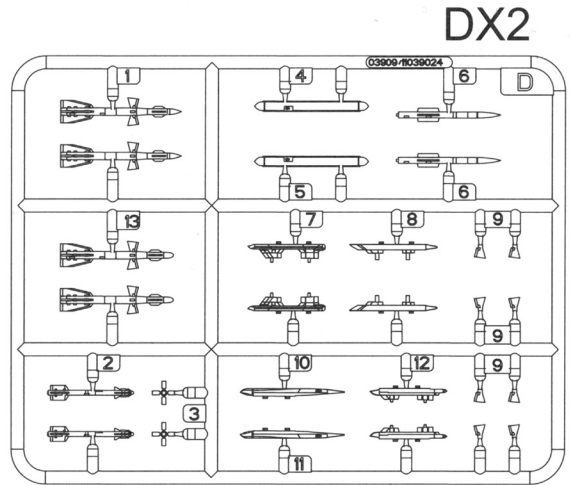
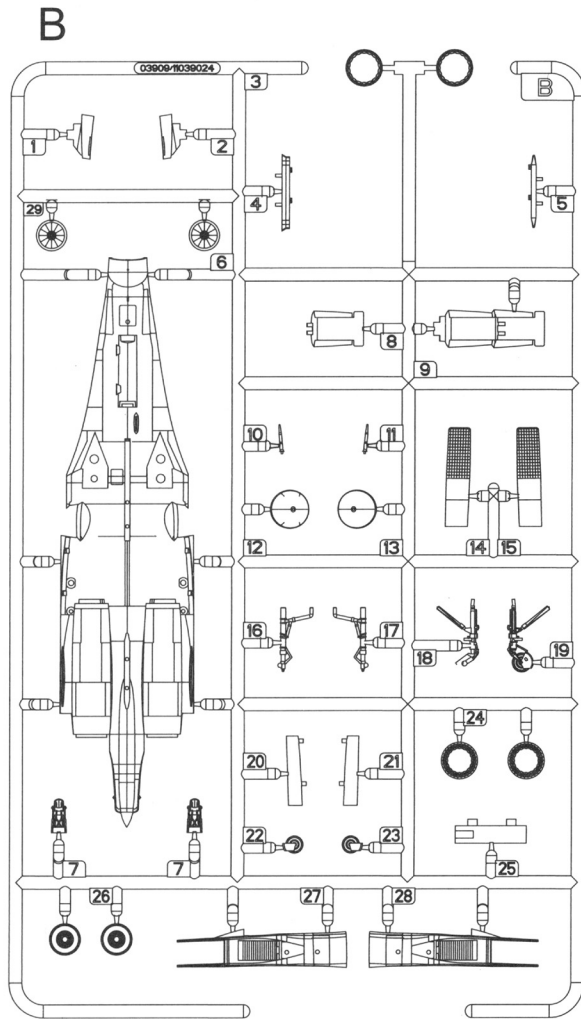
- 1.从水贴上剪下印花;
- 2.将印花放入温水中浸10秒,然后放在干净布上。
- 3.拿着印花纸将印花移到模型上;
- 4.手指蘸水将印花移到适当的位置;
- 5.用软布轻压印花直至水干,气泡消失

DECAL APPLICATION

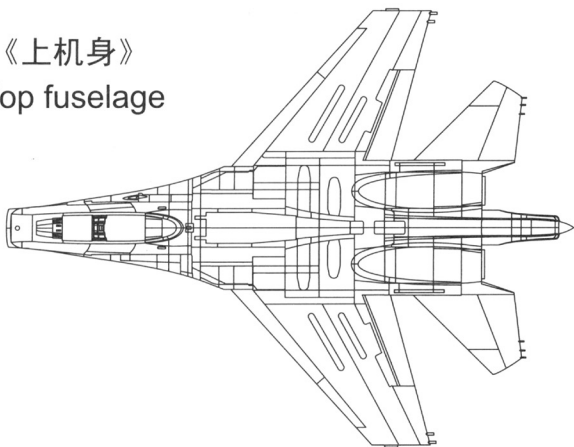
- 1.Cut decals from sheet as needed
- 2.Dip the decal in warm water for about 10 seconds and then place on soft clean cloth.
- 3.Hold the decal backing sheet edge and gently slide the decal onto the model in its proper position.

- 4.While still wet,decal can be adjusted for better fit on model by dampening it gently with your finger.
- 5.When placed in the proper position,gently press decal down with a soft cloth until excess water and air bubbles are gone.
- 6.Allow decal to dry completely before handling model

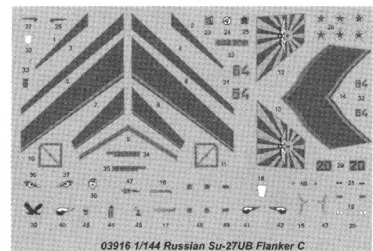
部品图 Parts



《上机身》
Top fuselage



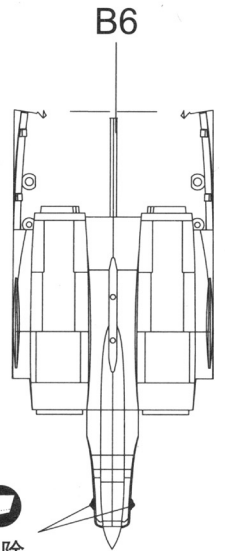
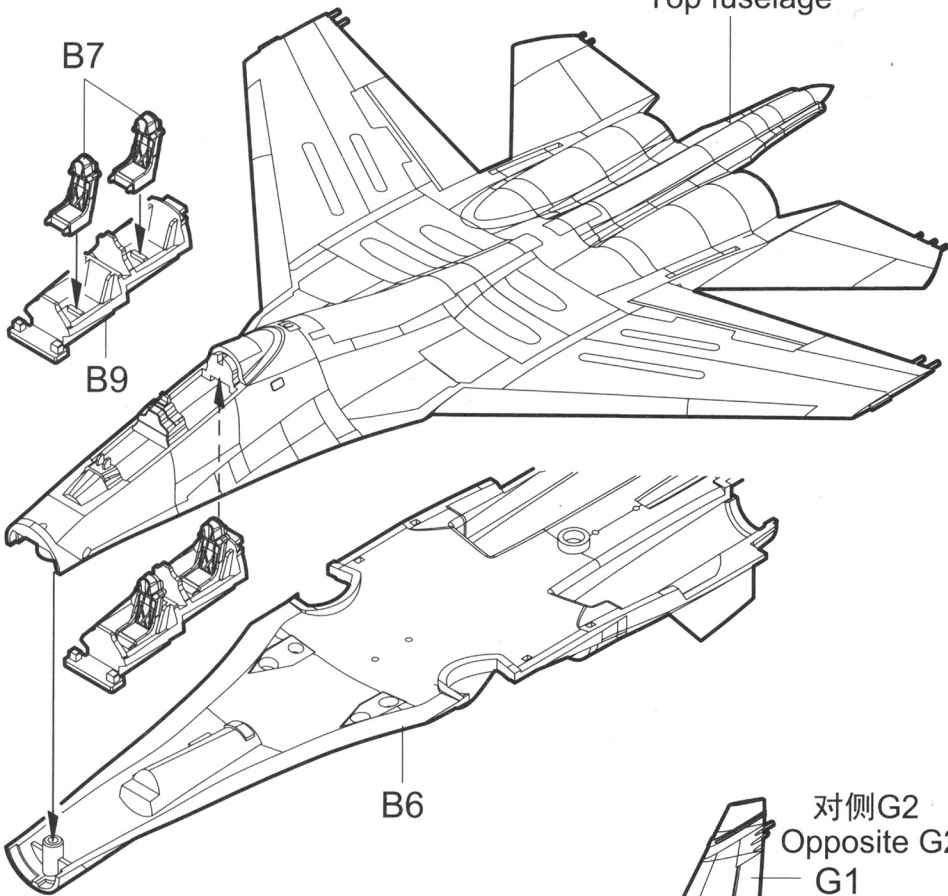
《水贴纸》
Decal



不用的部件: B3、B8、B10、B12、B18、B22、B23、D3、D6
Unused parts

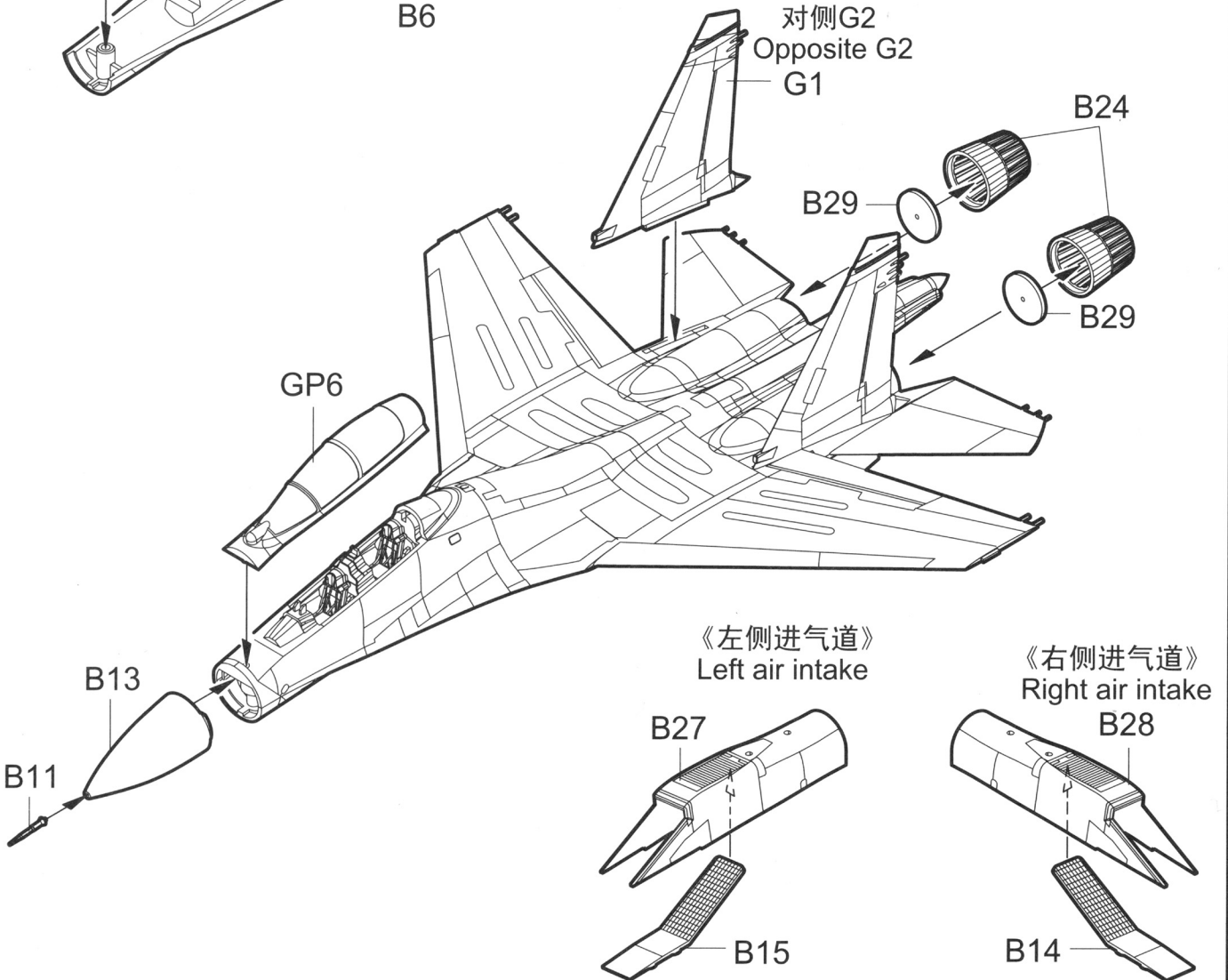
1

《上机身》
Top fuselage



切除
Cut / Remove

对侧G2
Opposite G2
G1



2

《左侧进气道》
Left air intake

对侧B17
Opposite B17
B16

对侧相同
Both sides
B26

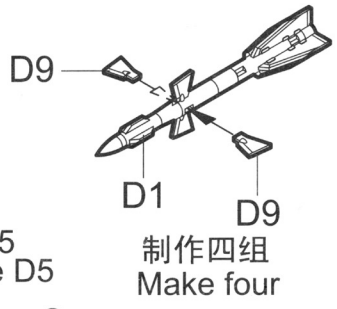
《R-73E》



B19

B21 对侧B20
Opposite B20

《R-27R》



《右侧进气道》
Right air intake

B2 对侧B1
Opposite B1

对侧D5
Opposite D5
D4

《R-27T》



B25

B4

对侧相同
Both sides
D8

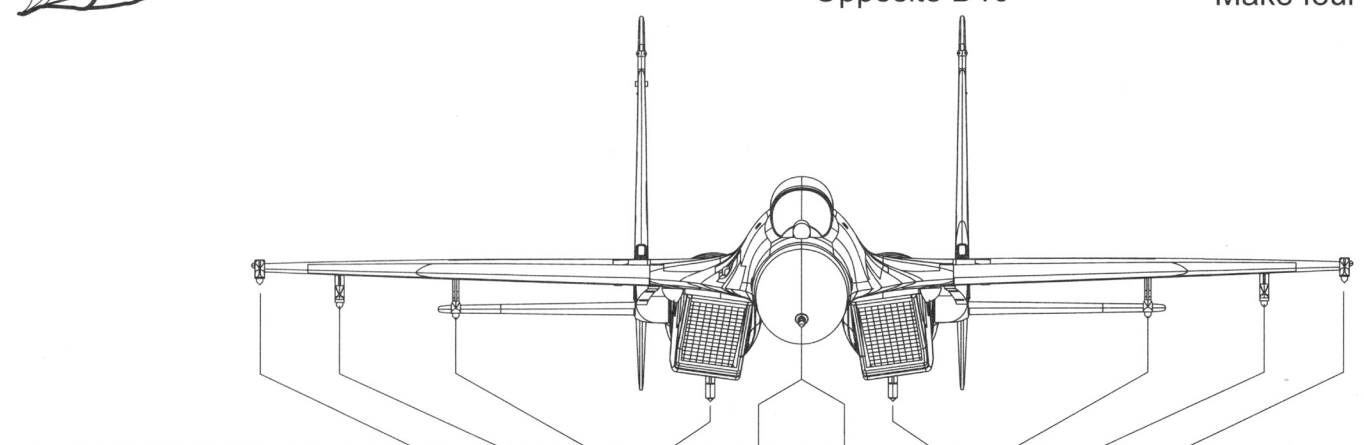
选择
Option

B5

D7 对侧相同
Both sides

D12 对侧相同
Both sides

D11 对侧D10
Opposite D10



Sta.No.	1	2	3	4	Front	Back	7	8	9	10
	5	6	7	8						
Missile/Tank										
R-73E	●	●			●	●	●	●	●	●
R-27R			●	●	●	●	●	●		
R-27T			●	●	●	●	●	●		

涂装同标贴指示 Painting & Marking guide

A Russian Air Force,
"Russian Knights",
Su-27UB, 20 Blue.
Zhuhai, Nov, 2012

PAINT REFERENCE COLOUR					
Color	Mr.Hobby	Vallejo	Model Master	Tamiya	Humbrol
红色 Red	H 3 3	908	1503	X7	19
银色 Silver	H 8 8	997	1546	X11	11
烧铁色 Burnt Iron	H 76 61	863	1795	X10	53
胎黑色 Tire black	H 77 137	—	—	—	—
透明红 Clear Red	H 90 47	934	—	X27	—
透明绿 Clear Green	H 94 138	936	—	X25	—

PAINT REFERENCE COLOUR					
Color	Mr.Hobby	Vallejo	Model Master	Tamiya	Humbrol
黑铁色 Metal Brown	H 18 28	864	1402	—	—
蓝色 Blue	H 328 328	71090	1772	—	190
钴蓝 Cobalt Blue	H 35 80	—	—	—	—
白色 White	H 1 1	71001	1745	X2	22
浅松叶色 Light Green	H 319 319	—	1713	—	117
灰白色 Aircraft Gray	H 57 73	—	—	—	—



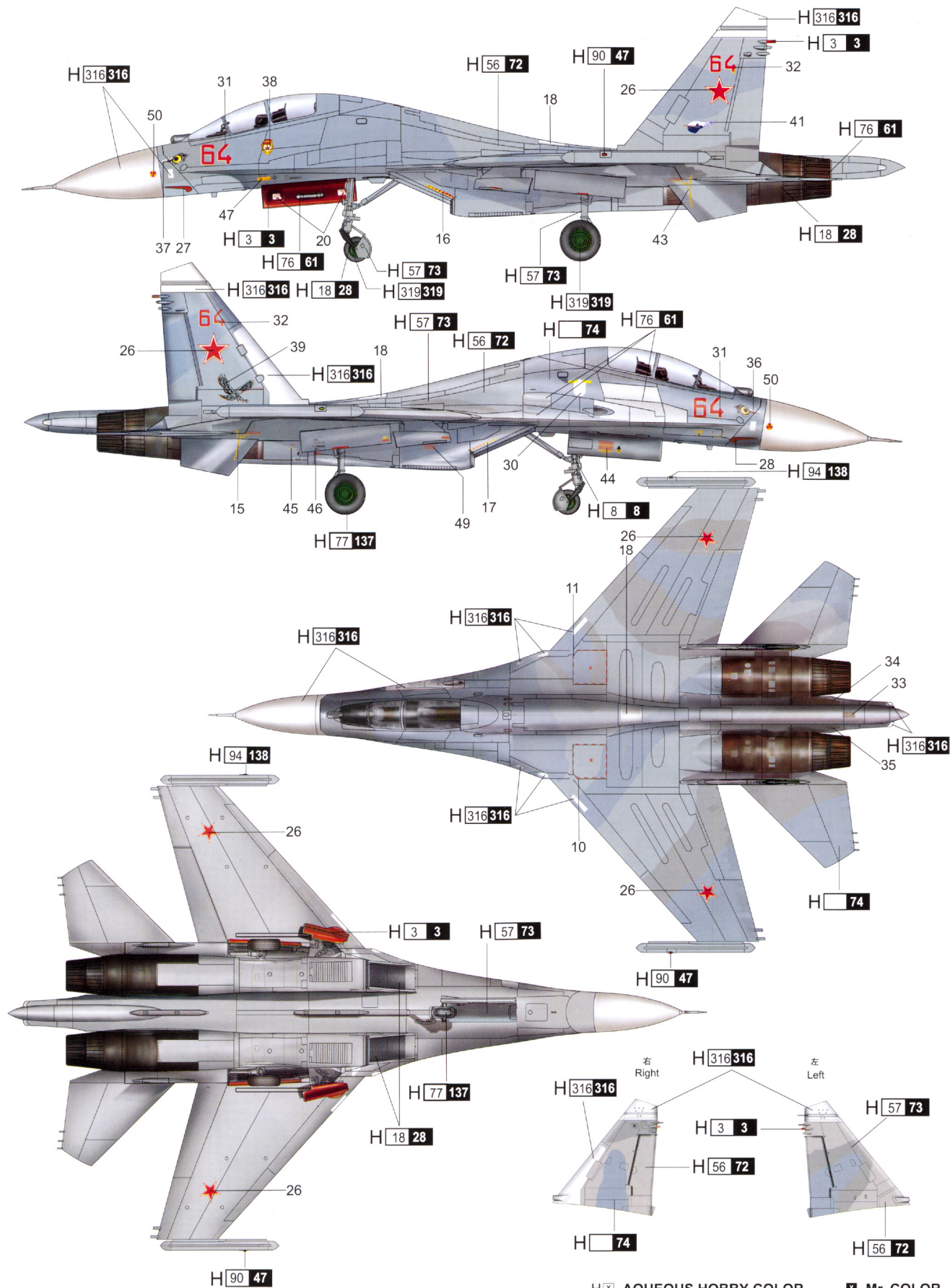
H X AQUEOUS HOBBY COLOR X Mr. COLOR

涂装同标贴指示 Painting & Marking guide

B Russian Navy, 689th GviAP Chkalovsk Air Base, Su-27UB, 64 Red

PAINT REFERENCE COLOUR					
Color	Mr.Hobby	Vallejo	Model Master	Tamiya	Humbrol
红色 Red	H 3 3	908	1503	X7	19
绿色 Silver	H 8 8	997	1546	X11	11
烧铁色 Burnt Iron	H 76 61	863	1795	X10	53
胎黑色 Tire black	H 77 137	—	—	—	—
透明红 Clear Red	H 90 47	934	—	X27	—
透明绿 Clear Green	H 94 138	936	—	X25	—

PAINT REFERENCE COLOUR					
Color	Mr.Hobby	Vallejo	Model Master	Tamiya	Humbrol
黑铁色 Metal Brown	H 18 28	864	1402	—	—
灰白色 Aircraft Gray	H 57 73	—	—	—	—
灰蓝色 Intermediate Blue	H 56 72	903	1720	—	144
浅灰蓝 Pearl Grey	H 74	—	—	—	—
白色 White Insignia	H 316 316	991	1745	X2	22
薄松叶色 Light Green	H 319 319	—	1713	—	117



H [X] AQUEOUS HOBBY COLOR X Mr. COLOR