

Alouette III of World Air Forces: PART 6 (designed for 1/72 scale)

Malaysia, Myanmar / Burma, Mexico, Nepal, Pakistan, Seychelles, Swaziland, Togo

The French company Sud Est/ Sud Aviation developed in the 1950s a number of helicopters such as the Alouette III. First flight was in February 1959. The Alouette III type designation was SE3160 and later at Aerospatiale SA316 with Artouste engine or SA319 with the Astazou engine. The Alouette had several roles typical of light helicopters and was very reliable. The last Alouette III was delivered in 1985 from Aerospatiale. But the Alouette III remained to be built in license at Hindustan Aeronautics (HAL) in India as the "Chetak". Over 2,000 Alouettes were manufactured and it was used by over 50 World Air Forces and many are still flying the Alouette III today.

CAMOUFLAGE AND SCHEMES

There is a large variety in Alouette III schemes as used by various World Air Forces.

See the particular suggestions of each scheme. My website AircraftinPlastic.com can help building your model. On the website also books and internet sites are listed and are some manufacturer downloads available.

Often configurations varied as Alouettes delivered to an Air Force could be fitted with floatation gear and a hoist. Different antennas and pilot aids could be fitted like rear view mirrors. So it is strongly recommended to study photos in books and internet to pick a particular Alouette though it maybe difficult to find a photo. The precise scheme colours used by a particular Air Force are often unknown.

On the decals sheet are as a few extra tail rotor warning and Alouette markings. Sometimes also some extra codes and numbers make it possible to make a slightly different Alouette model.

DECAL APPLICATION

The decal sheet has ONE continuous print film, so each decal needs to be cut out with fine scissors. No other prior decal preparation is needed. Each cut out decal can be applied as usual after soaking it a short while in water. Decals are EXTREMELY THIN, so slide off from the wet backing sheet on a horizontally held GLOSSY model surface. Do not use tweezers! They will fold doubled!

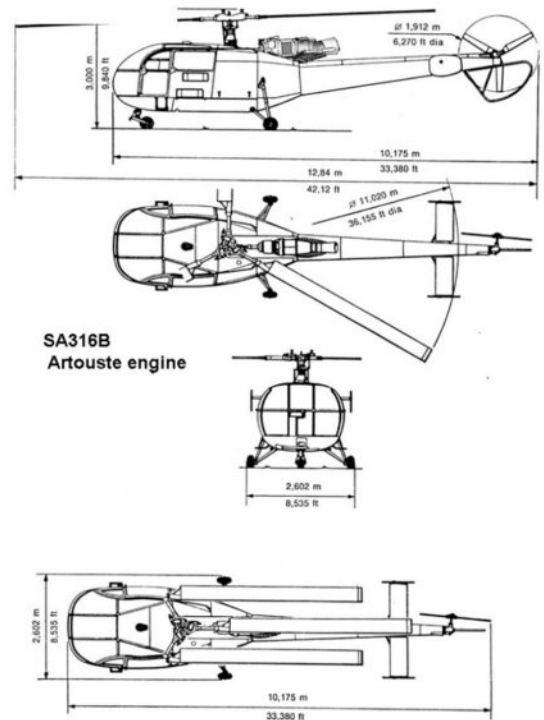
Note that a decal that contains a white section is often split in two parts. To apply the full decal marking, first set the white decal section at correct position and on top of that the coloured section. On the decals sheet you will often see an "arrow" to indicate this way of application (on white surfaces, the white section is optional).

After all decals have been applied, finish the model with your preferred final gloss, matt or semi-matt varnish coats. This will also protect all the decals.

MODEL KITS

In 1/72 scale only **Heller of France** has an Alouette III kit that has appeared in various boxes with some changes in parts. In the kit are parts for the SA316 with Artouste engine or SA319 with the Astazou engine.

(Note: the same 1/72 kit was also released by **Kovozavody Prostejov**).



Malaysia (2 schemes)

Some 39 Alouette III SE3160 and SA316B were used by the Malaysia Air Force TENTERA UDARA DIRAJA MALAYSIA (TUDM) (and also from 1997 by the Army TDM aviation service). Many were flown with no.3 squadron at Kuala Lumpur and no.5 squadron at Labuan from the 1970s. Roles included forward air control directing ground army forces.



This TUDM SE3160 c/n 1150 coded "black" FM1077 has a dark grey finish with medium grey fuselage belly and old style national insignia. The tail rotor colours are probably standard yellow with red stripes as is the tail bar. The Artouste exhaust cover is also painted. There is a blade antenna on the front port tail boom and sometimes on the cabin top.



The exact designation of this TUDM Alouette III coded "white" M20-05 is unknown but it has gloss olive green scheme with red panels and red tail stabilizer and red tail fin plates. The current national insignia/ small roundels are seen on the aft fuselage.

The tail rotor colours are standard yellow with red stripes as is the tail bar. There is a blade antenna on the front port tail boom.

Myanmar / Burma

The Burma (Myanmar) armed forces operated some 28 SA316B Alouette III helicopters. Little details are known.

The shown SA316B c/n 1966 coded "black" UB 6114 has an overall finish of gloss olive green. The tail rotor colours are standard yellow with red stripes and yellow tail bar. The main rotor tips are bright dayglow red and the main rotor blades probably medium grey. The red DANGER marking and small national flag is on each tail fin plate. There is a small "white" 014 code below the nose.



Seychelles

The Seychelles Defence Force Air Wing used a pair of Alouette III helicopters. This SA316B coded "white" H1-02 has an overall probably medium green finish (approx. FS34082). The tail rotor colours are standard yellow with red stripes and a yellow tail bar. The main rotor tips are bright red and the main rotor blades probably medium grey. There were almost no markings seen.



Swaziland

Swaziland army air wing (Umbutfo Swaziland Defence Force) used at least one Alouette III.

This SE3160 c/n 1459 (SDF-003 ?) was an ex-SAAF helicopter coded "25". It has camouflage scheme looking similar to the SAAF, thus probably dark earth brown BS381C:450 and olive drab approx. FS14064.



There is an extra tail bar below the tail boom and as the standard tail bar is yellow. The tail rotor colours are standard yellow with red stripes. The location of the serial 1459 of code SDF-003 was not seen but the flags are on the tail boom. There were almost no markings seen.

Togo

The Togo Air Force FORCE AÉRIENNE TOGOLAISE used a pair of Alouette III.

This SE3160 c/n 1300 coded "white" 5V-MCK was acquired in 1998. The overall colour seems to be dark green (approx. FS34097). Often a particle/ sand filter was seen fitted on the engine air intakes. The tail rotor was seen painted black and the tail bar dark green. There are almost no markings seen.

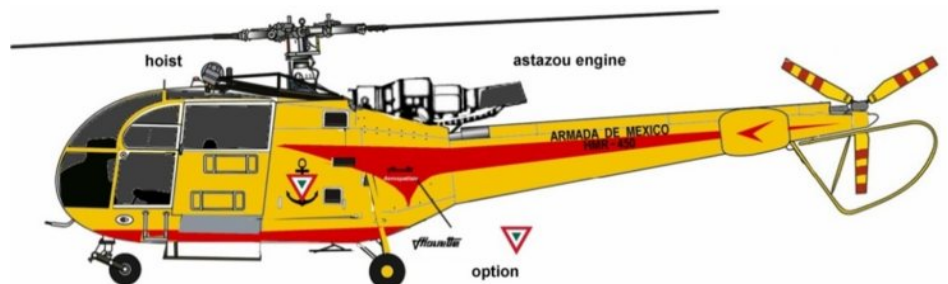


Mexico

The Mexico Air Force and Naval ARMADA used some 12 SE3160 / SA316B from 1963 and 10 SA319B that had the Astazou engine.

This SA319B (with Astazou engine) coded HMR-450 c/n 2157 was flown by the ARMADA DE MEXICO - FUERZA AERONAVAL. Its previous code was HMR-135. It has an overall orange yellow scheme with red-orange fuselage trim (the fuselage trim is provided on the decals sheet but paint the lower fuselage belly). The overall orange yellow is approx. FS13538.

It is fitted with hoist and the port lower cabin panel has been removed (so a gap is there). The tail rotor colours are standard yellow with red stripes and a yellow tail bar. Note the small flash on the tail end plates.

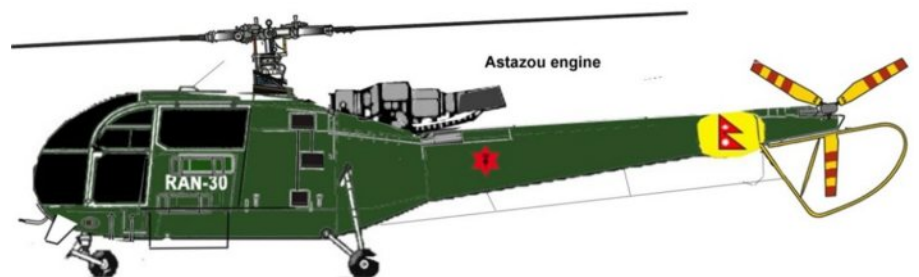


Nepal

The Nepal armed forces used about 10 SA316B Alouette III, license built IAR316B helicopters and 8 Hindustan built HAL SA319B with Astazou engine.

Shown is coded HAL SA319B (with Astazou engine) "white" RAN-30 c/n AH307 in an overall gloss medium green. The tail rotor colours are standard yellow with red stripes and yellow tail bar. There are almost no markings. A long antennae wire is seen.

(An alternative code on the decals sheet is -34).



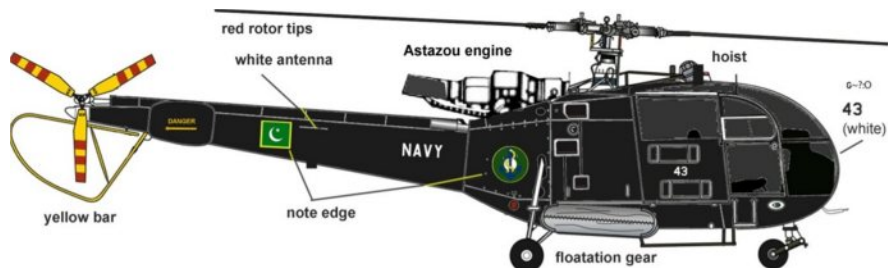
Pakistan

Over 60 Alouette III SE3160 / SA316B and some 15 SA319B helicopters were used by the Pakistan armed forces. Some were acquired second hand during the long service life.

This SA316B c/n 1083/137 ? had an overall probably gloss dark green finish. The tail rotor colours are standard yellow with red stripes and yellow tail bar. The anti-collision light on the cabin roof looks at bitter taller than usual.



This SA319B (with Astazou engine) NAVY, probably by no.333 ASW Naval squadron on behalf of the Navy from 1975. It is fitted with hoist and floatation gear. The smaller roundels and flags have a white edge or roundel with anchor with yellow edge (both provided).



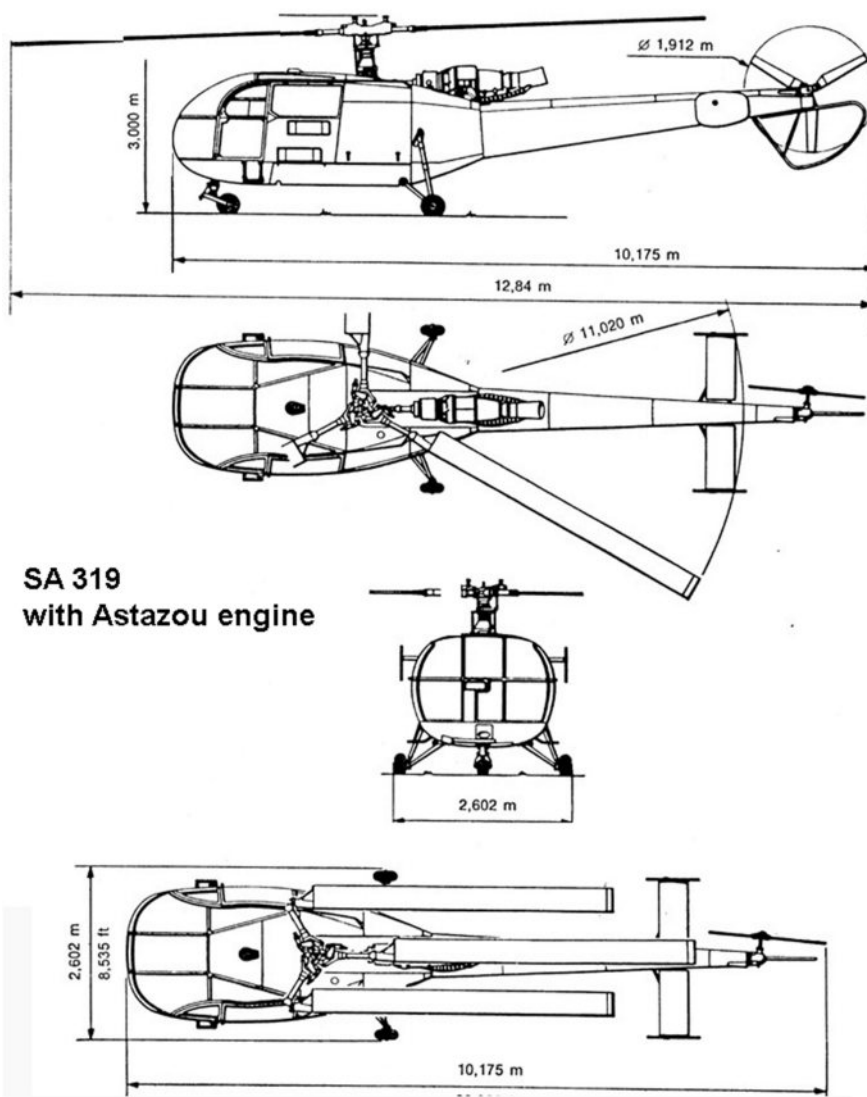
It has what seems an overall gloss black finish (or may be very very dark blue).

The tail rotor colours are standard yellow with red stripes and yellow tail bar. Note the small codes on doors and nose with tiny text above it. Main rotor tips are red. Code "white" 43 or 35.

The tail rotor colours are standard yellow with red stripes and yellow tail bar. Note the small 43 codes on doors and nose. Main rotor tips are red. It is fitted with hoist and floatation gear. The smaller roundels and flags have a white edge.

By combining codes and roundels, other Pakistan Alouette finishes are possible. There are many schemes.

Drawing shows the SA319B with the Astazou engine. The parts are in the 1/72 Heller kit and KP kit.



Please visit website: www.aircraftinplastic.com



© copyright 2023