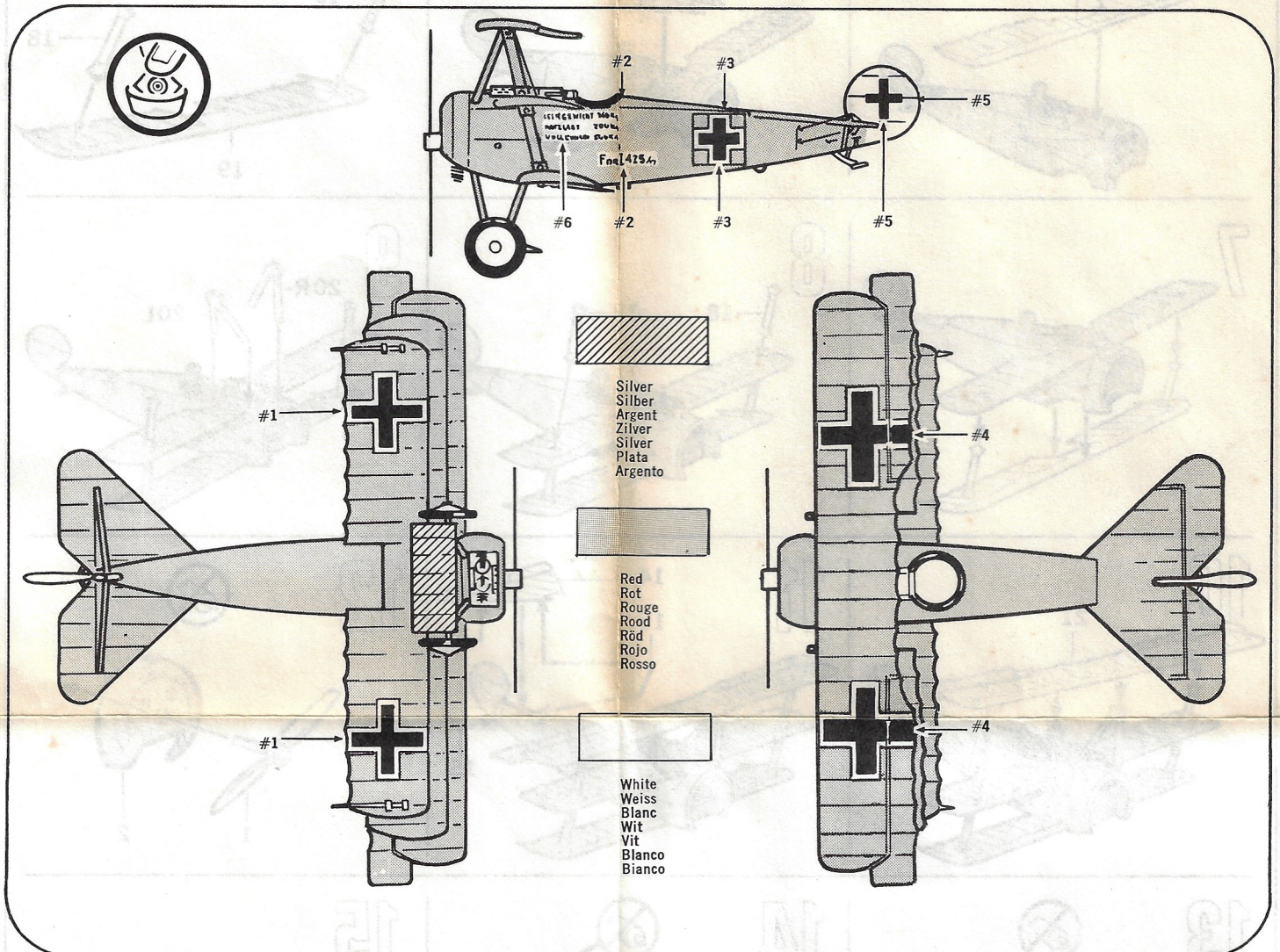


FOKKER DR-1 TRIPLANE

Revell

H-52-3800

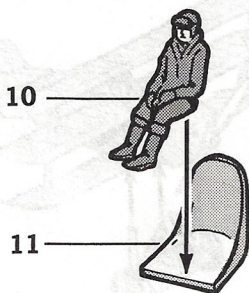


Do not cement
Nicht kleben
Ne pas coller
Niet plakken
Skall inte klistras
No encole
Non incollare

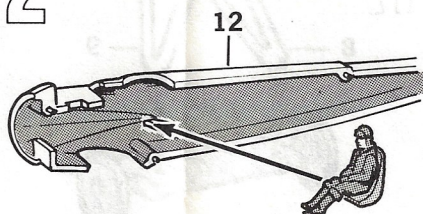


Soak and apply decal
Abziehbild in Wasser einweichen und anbringen
Mouiller et appliquer décal comanie
Maak plakplaatje door en door nat en bevestig het
Blot lagg market och satt pådet
Remoje y pegue la calcomania
Immergere nell acqua applicare calcomania

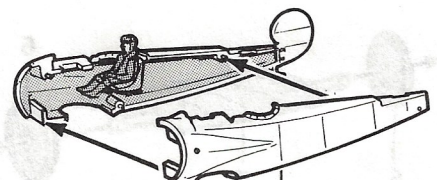
1



2

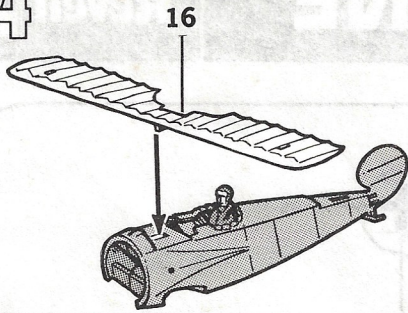


3

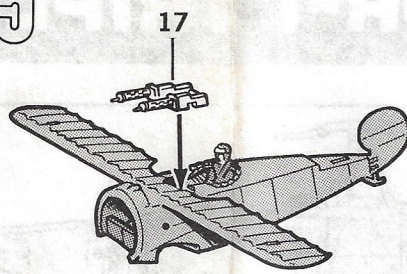


13

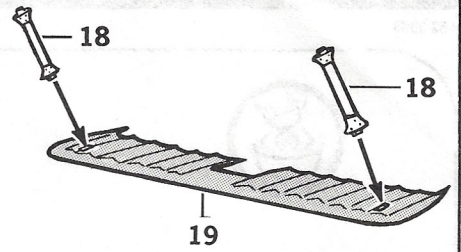
4



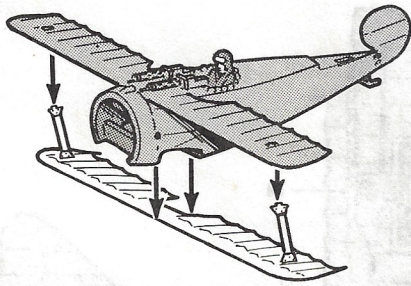
5



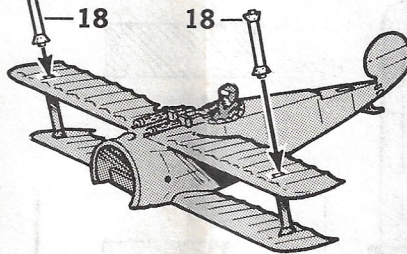
6



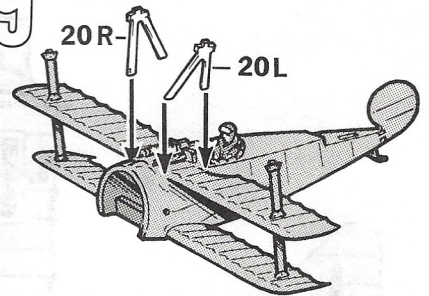
7



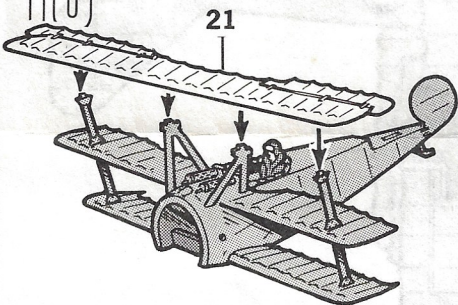
8



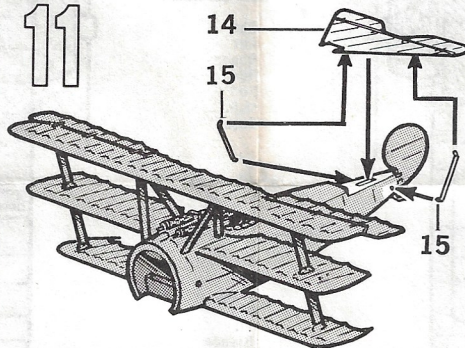
9



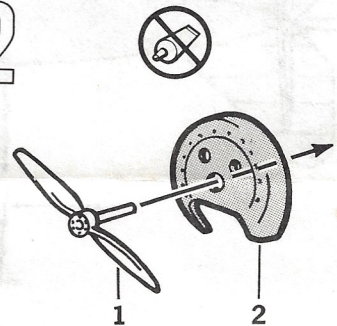
10



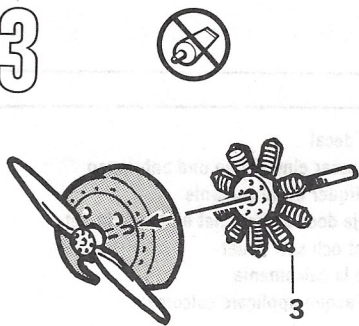
11



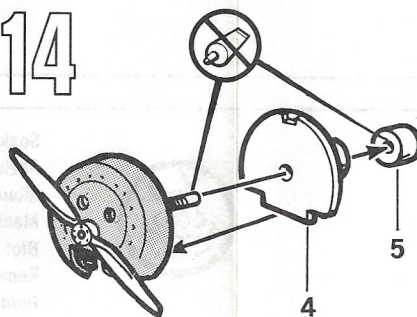
12



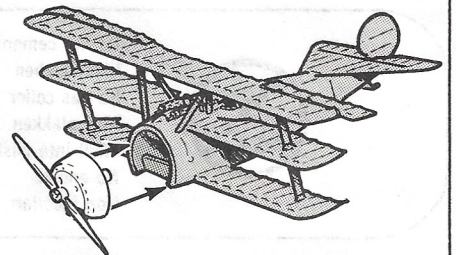
13



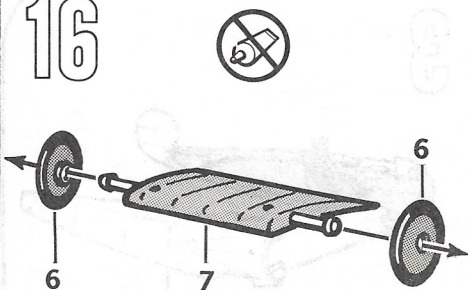
14



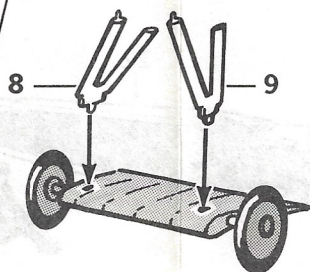
15



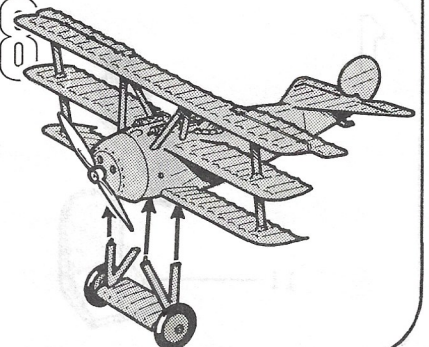
16



17



18



H-52

6

Leergewicht — 376 kg

Nutzlast — 195 ..

Gesamt Gewicht — 571 ..



FORL. 425/17



FORL. 425/17



DIRECTIONS

1. CUT EACH DESIGN FROM DECAL SHEET AS NEEDED.
2. DIP IN WATER.
3. USE A SMALL BRUSH TO WET YOUR MODEL
4. SLIDE DECAL FROM PAPER FACE UP INTO POSITION ON MODEL.
5. DO NOT TOUCH DECAL WITH FINGERS
6. PRESS DOWN WITH BLOTTER.

REVELL INC.
4223 GLENCOE AVE. VENICE. CALIF.

27915

EXTRA FREE BONUS Special fact-filled Illustrated Booklet, "How to Begin Building Models"

- YOU GET ALL THIS FREE**
- Scissors
 - File
 - Cement
 - Paint Brush
 - Vial of Thinner
 - Four Vials of the following colors: Red, Black, Blue and Yellow



Take this 9-Piece Model Builder's TOOL KIT FREE!

EXCITING OFFER FOR ALL MODEL BUILDERS

with trial membership in MODEL BUILDERS CLUB OF AMERICA

First Class
Permit No. 1320
Terre Haute
Indiana

BUSINESS REPLY MAIL

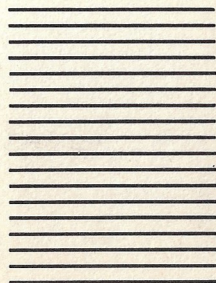
No postage stamp necessary if mailed in the United States

Postage will be paid by:

MODEL BUILDERS CLUB OF AMERICA

1400 North Fruitridge Avenue
Terre Haute, IN

11
47811



A MODEL HOBBY FOR ALL AGES

Boys and girls . . . men and women . . . young and old . . . whatever your age, model building is one of the greatest of all hobbies. Nothing can beat it for fun, for deep down satisfaction. Or for the pleasure you get when you display—in your home or office—accurate, realistic models that you had a hand in building!



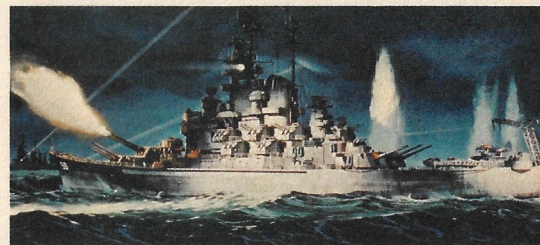
A NEW MODEL KIT EACH MONTH—AT A PRICE YOU CAN AFFORD!

When you join Model Builders Club Of America, you will receive an exciting new Revell Kit each month delivered to your home. For the low Member price of just \$2.49 (plus a small shipping and handling charge), you and your family will get hours of fun and satisfaction!



PRECISION-BUILT KITS! EASY-TO-FOLLOW INSTRUCTIONS!

Made by world-famous Revell, the models you receive through membership are accurate, realistic re-creations you put together yourself—from brilliantly engineered parts that come to you with clear, simple instructions, accompanied by the history and background of the original.



EXCITING GIFT IDEA!

Many mothers give a gift membership to their children (for model building is a wholesome, satisfying, educational experience). Count Dad in, too! He'll want to share with the children this creative, satisfying pastime that most likely he enjoyed when *he* was a youngster!

START YOUR MEMBERSHIP WITH ONE OF THE EXCITING MODEL KITS INSIDE

CHOOSE YOUR FIRST MODEL FROM THESE COLLECTOR'S FAVORITES!

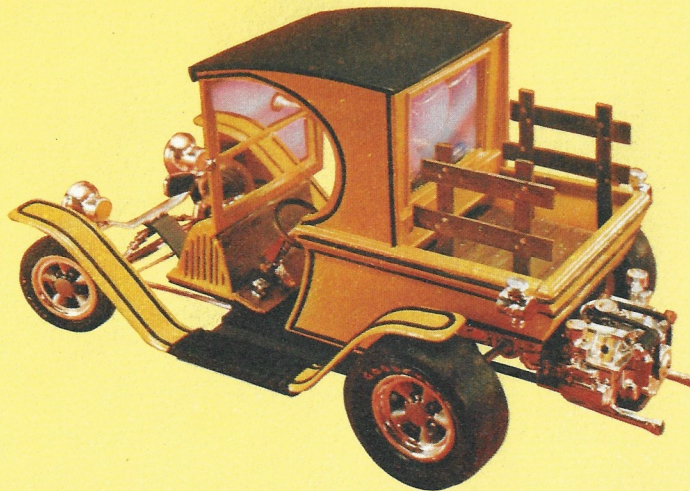
SIKORSKY H-19 RESCUE HELICOPTER

The float equipped H-19 Helicopter was the work-horse of the rescue branch of the Military Air Transport Service for many years. Operating from either land or from carrier decks, these aircraft were truly "Angels of Mercy" to many people wounded or stranded in combat zones. It's a beautiful machine, and you'll feel proud displaying it in your room or office!



YAMAHA DT-1 ENDURO

A motorcycle of unequalled maneuverability is the famous Yamaha DT-1 Enduro. Its power plant plus frame/suspension combination allows over 73 mph, a climb rate of 35 degrees, a turning radius of 78.7 inches and a minimum braking distance of 49 feet at 31 mph. You'll be thrilled by your replica of this famous machine!

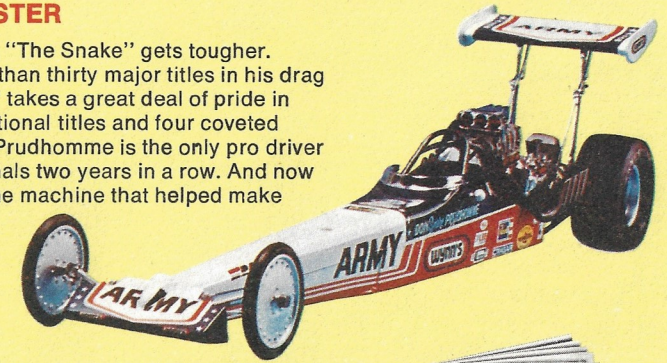


T-BONE STAKE VINTAGE MODEL PICK-UP

A "Golden Oldie" is the T-Bone Stake, Vintage Model Pick-Up, a great machine of "way back then." It's pure nostalgia and a true classic, evoking the memories of another day and age. It's fun to look at, it's fun to construct, and what a conversation piece it will become for your family and your friends!

DON "THE SNAKE" PRUDHOMME'S REAR ENGINE DRAGSTER

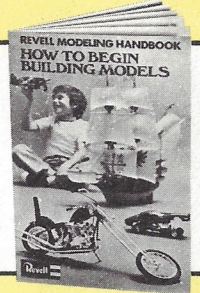
When the going gets tough, "The Snake" gets tougher. Prudhomme has won more than thirty major titles in his drag racing career. "The Snake" takes a great deal of pride in having won seven major national titles and four coveted Driver of the Year awards. Prudhomme is the only pro driver to have won the Indy Nationals two years in a row. And now you can build a replica of the machine that helped make this possible!



SEND NO MONEY

The 9-Piece Tool Kit and Illustrated Booklet are FREE with no-risk, 10-days' Trial Membership in the Model Builders Club of America

FREE EXTRA BONUS



Detach on dotted lines and mail. No stamp needed.

FREE GIFT AND ENROLLMENT CERTIFICATE

MODEL BUILDERS CLUB OF AMERICA

1400 N. Fruitridge Ave., P.O. Box 1176, Terre Haute, Indiana 47811

Please send the FREE Tool Kit And Instruction Booklet and enroll the person named below in your Model Builders Club of America. With the Tool Kit, send the first model kit checked below:

- RESCUE HELICOPTER YAMAHA 250 DT-1 ENDURO
 REAR ENGINE DRAGSTER T-BONE STAKE

Also include instructions and historical background on the original of the model I have selected. Bill me only \$2.49 (plus a small shipping and handling charge) for this package. If not thoroughly pleased, I may return the package within 10 days and owe nothing. Otherwise, you will send another package each month at the same price. The Tool Kit and booklet are mine to keep free in any event. I may cancel membership any time after having accepted four monthly packages.

WENY/WRC

Name _____ Age _____

Address _____ Apt. No. _____

City _____ State _____ Zip _____

Signature _____

(If under 21, parent or guardian must sign).

Do you have a telephone?

Yes No

Revell Modelers Club

OFFICIAL APPLICATION

Join The Club Designed To Help Make You A
Better Model Builder

Fill out this application and send it in with \$2.00 for your membership pack. Please allow 6 weeks for delivery.

YOU GET:



Official Wallet-size,
Membership Card.



A Colorful
Embroidered Club Patch.



Official
Membership
Certificate for your
room or club house.



Full Color Revell Kit
Catalog which
includes the Model
Builders Guide on
assembling, painting and
detailing plastic models.



One Year Subscription,
four issues, of the Club
Magazine. The quarterly
publication features
"How-To" articles, advance
notice on new Revell
products and special offers
for club members.

To join just fill out this application and send it with \$2.00
(Check or money order please) to:

Revell Modelers Club, P.O. Box 66937, Los Angeles, CA 90066

Offer Good in U.S.A. Only

Please Allow 6 weeks for delivery

Ce programme n'applique pas sauf aux Etats-Unis.

**Revell
Modelers
Club**

PRINT CLEARLY First Name

Middle Initial

Last Name

Street Address

City

State

Zip Code

Date of Birth

How Many Models Have You Built



Revell reserves the right to cancel this offer at any time and return the customer's money.

©1977 by Revell, Inc., Venice, Calif. 90291.

Printed in U.S.A. Made In U.S.A. #83223 A