

**Alouette III of World Air Forces: PART 4** (designed for 1/72 scale)

**Denmark, Equatorial-Guinea, Hong Kong, Ireland (Eire), Rwanda**

The French company Sud Est/ Sud Aviation developed in the 1950s a number of helicopters such as the Alouette III. First flight was in February 1959. The Alouette III type designation was SE3160 and later at Aerospatiale SA316 with Artouste engine or SA319 with the Astazou engine. The Alouette had several roles typical of light helicopters and was very reliable. The last Alouette III was delivered in 1985 from Aerospatiale. But the Alouette III remained to be built in license at Hindustan Aeronautics (HAL) in India as the "Chetak". Over 2,000 Alouettes were manufactured and it was used by over 50 World Air Forces and many are still flying the Alouette III today.

**CAMOUFLAGE AND SCHEMES**

There is a large variety in Alouette III schemes as used by various World Air Forces.

See the particular suggestions of each scheme. My website [AircraftinPlastic.com](http://AircraftinPlastic.com) can help building your model. On the website also books and internet sites are listed and are some manufacturer downloads available.

Often configurations varied as Alouettes delivered to an Air Force could be fitted with floatation gear and a hoist. Different antennas and pilot aids could be fitted like rear view mirrors. So it is strongly recommended to study photos in books and internet to pick a particular Alouette though it maybe difficult to find a photo. The precise scheme colours used by a particular Air Force are often unknown.

On the decals sheet are as a few extra tail rotor warning and Alouette markings. Sometimes also some extra codes and numbers make it possible to make a slightly different Alouette model.

**DECAL APPLICATION**

The decal sheet has ONE continuous print film, so each decal needs to be cut out with fine scissors. No other prior decal preparation is needed. Each cut out decal can be applied as usual after soaking it a short while in water. Decals are EXTREMELY THIN, so slide off from the wet backing sheet on a horizontally held GLOSSY model surface. Do not use tweezers! They will fold doubled!

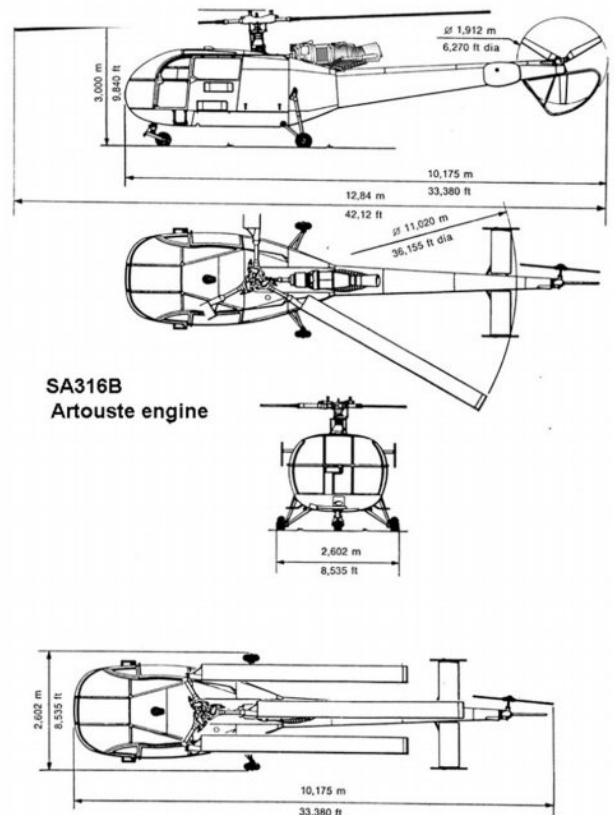
Note that a decal that contains a white section is often split in two parts. To apply the full decal marking, first set the white decal section at correct position and on top of that the coloured section. On the decals sheet you will often see an "arrow" to indicate this way of application (on white surfaces, the white section is optional).

After all decals have been applied, finish the model with your preferred final gloss, matt or semi-matt varnish coats. This will also protect all the decals.

**MODEL KITS**

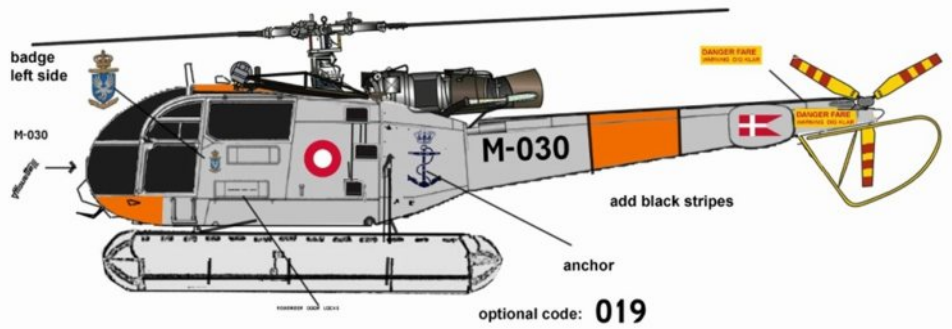
In 1/72 scale only **Heller of France** has an Alouette III kit that has appeared in various boxes with some changes in parts. In the kit are parts for the SA316 with Artouste engine or SA319 with the Astazou engine.

(Note: the same 1/72 kit was also released by **Kovozavody Prostejov**).



## Denmark (with floats)

The Kongelige Danske Marine operated from 1962 some 8 SE3160 / SA316A Alouette III helicopters and often they were fitted with fixed floats. In 1977, when the Danish Naval Air Service was formed, the Alouettes transferred from the Air Force (Esk.722) to the Navy and flown until 1982.



This Alouette III SE3160 c/n 1030 coded "black M-030" is shown as flown in the 1970s. It is fitted with fixed floats, a hoist on the port side and the lower panel below the port cabin sliding door was often removed so a gap is seen. (On the decal sheet also "black 019" for Alouette c/n 1019 is provided and the badges for Esk.723).

The overall colour is aluminium with bright orange areas: at lower nose panel, cabin roof top and tail boom band. The tail boom band has black striped borders which are on the decals sheet. The tail rotor colours are standard yellow with red stripes as is the tail bar. The main rotor tips are bright red and the main rotor blades probably medium green.

The large floats are not in the Heller kit and need to be made from scrap or with the Whirlybird resin set 72013. Each float is in 1/72 scale about 65 mm long with a 10 mm diameter. The float gear rod structure is complex.

See old modelling report how this Denmark Alouette model can be made on the website:

<https://aircraftinplastic.com/models/alouette-3/alouette-6.html#danmark>

It recommended to have a look at the IPMS.NL Nederland walk around at:

<https://ipms.nl/walkarounds/walkaround-helicopters/walkaround-alouette-3>



photo credits: P.J.A. Booj

## Equatorial- Guinea

A pair of Alouette SA316B were flown by the Equatorial- Guinea armed forces in the 1980s.

This SA316B c/n 1970 has a nice looking scheme of gloss white with dark blue and cheat lines.

The cheat lines are provided as decals. It Paint the model white first and carefully mask the areas for the blue using the decal cheat lines as guide. If done carefully, the tiny white decal stripes of the cheat lines are even not needed.



Paint the dark blue (Revell Aqua 52 blau seems a good match). No number codes were seen on photos. The Artouste engine exhaust has a white painted cover. The tail rotor colours are standard yellow with red stripes and a yellow tail bar. The main rotor tips are bright red and the main rotor blades probably medium grey. Add a pair of long wire antennas running from main gear legs to tail bar.

(the French pre-delivery code "white F-WKQH" is also on the sheet but optional; it was seen on the belly aft of the nose gear).

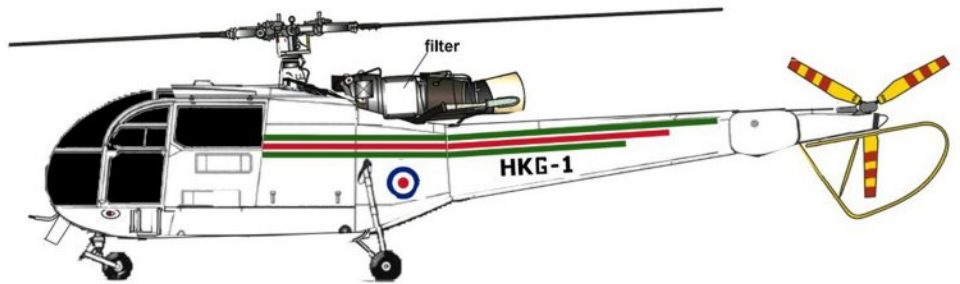
See old modelling report on the website how the Equatorial- Guinea model can be made:

<https://aircraftinplastic.com/models/alouette-3/alouette-7.html#eq-guinea>

### Hong Kong (3 schemes)

Hong Kong was a British Territory from 1898 with a 99 year land lease and under the protection of the British armed forces. Replacing a Westland Widgeon in 1965, a few SE3160 and SA316B Alouette III helicopters were acquired.

SE3160 (SA316) coded "black" HKG-1 c/n 1242 was delivered in 1965 and flew until 1980. Operated out of Kai Tak airport it had a gloss white finish with green-red-green stripes and British roundels. Probably it could also be fitted with hoist and floatation gear. It appears it had the standard tail bar (without extra long bar) and no wire antennas.



The main rotor tips are bright red and the main rotor blades probably medium grey.

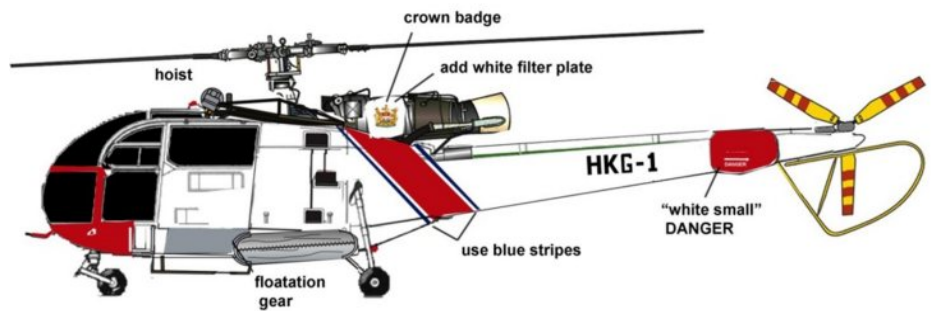
(Note that as most of the underlying surfaces are white, the tiny split white decal sections may not even be needed).

This Hong Kong Alouette III coded "black" HKG-3 is a SA316B c/n 1704. It was fitted with hoist, floatation gear and the port lower cabin panel has been removed (so a gap is there). It has British roundels and small crown badges are on the cabin sliding doors. It had wire antennas below the tail boom and was also seen with an extra long yellow coloured tail bar as shown. The tail rotor colours are standard yellow with red stripes and a yellow tail bar. The main rotor tips are bright red and the main rotor blades probably medium grey.



Again the Hong Kong HKG-1, now in a later scheme with gloss white finish and with red band with dark blue border lines (use provided decal stripes). The tail fin plates and nose are also red.

Fitted with hoist, the port lower cabin panel has been removed (so a gap is there). Usually with floatation gear and note that the long tail bar and antenna wires are not fitted. There is a pair of large white air intake plates installed with a larger crown badge on these.

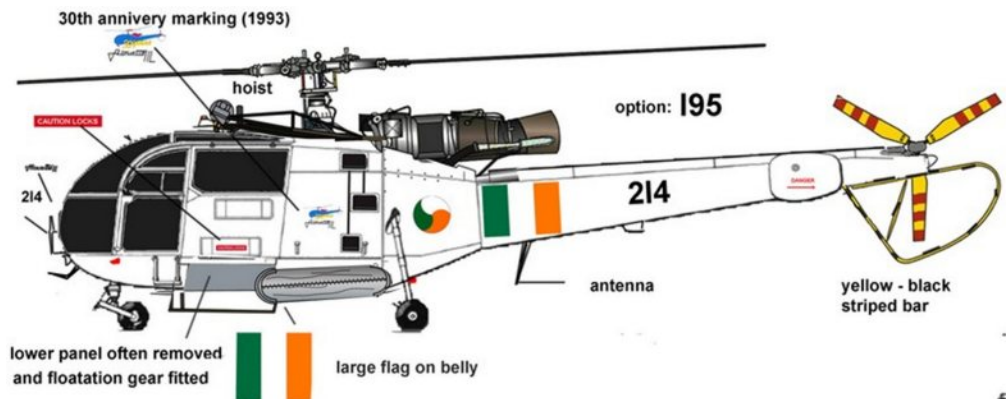


The tail rotor colours are standard yellow with red stripes and a yellow tail bar. The main rotor tips are bright red and the main rotor blades probably medium grey. No national roundels were seen.

### Ireland (Eire)

Some 8 Alouette III SA316B were used in Ireland (Eire) starting in 1963 by the Air Corps until 2007.

This SA316B coded "black" 214 c/n 2122 is fitted with hoist and the port lower cabin panel has been removed (so a gap is there). Floatation gear was also often installed.



Add a peculiar antenna with short wire on the starboard side at the tail boom as well as a small fairing. On the nose is a rectangular squared boxed fairing that has 2 small antennas as well as the small black Alouette logo. Smaller antennas are also seen.

The overall colour is probably very light grey (near white).

Large flag on lower fuselage belly. The tail rotor colours are yellow with red stripes and a yellow-black striped tail bar. The main rotor tips are bright red. The danger marking in red is on each tail fin plate. On the cabin sliding doors small red CAUTION LOCKS markings are seen.

Optional on the decals sheet are two special 30<sup>th</sup> anniversary badges in 1993 livery, situated amidst the cabin. (these are small Alouette blue sketches).

Option: "black" 195 code is provided for SE316B c/n 1151 as alternative on the decals sheet and this Alouette was also seen flying without the hoist and no floatation gear.

## Rwanda

Some 4 SE3160 and 3 SA316B Alouette III were flown by the Rwanda armed forces.

Alouette III SE3160 c/n 1434 coded "white" 9XR-GT has an overall colour of probably dark bronze green.

Fitted with an extra long yellow coloured tail bar as shown (and small near vertical cross bar relocated). The tail rotor colours are standard yellow with red stripes and a yellow tail bar. The main rotor tips are bright red and the main rotor blades probably medium grey.



On the nose a pair of wire antennas were installed.

See the old modelling report on the website how this Rwanda model can be made:

<https://aircraftinplastic.com/models/alouette-3/alouette-7.html#rwanda>

-----

Please visit website: [www.aircraftinplastic.com](http://www.aircraftinplastic.com)



© copyright 2024