

German Heavy Cruiser Admiral Hipper 1941

德国重巡洋舰“希佩尔”海军上将号1941

READ BEFORE ASSEMBLY:

- Study and understand these instructions thoroughly before beginning assembly
- When needed, remove photo-etch parts carefully using a modeling knife or photo etch sprue cutter, being careful not to damage or lose small parts.
- Take extra care in handling photo etch parts in order to avoid injury
- Apply instant cement sparingly to photo etch parts where instructed
- Tools recommended(not included in kit):Plastic and instant cements, sprue cutters,long nose pliers,modeling knife, small files, tweezers, pin vise & scissors. Soft cloth and sandpaper will also assist in construction
- Glue and paint are not included in the kit. Use plastic cement and hobby paints only. Color guide for purchasing paint is included in the kit.

装配之前仔细阅读

- 小心用模型锉刀锉平所有零件表面的注射浇口。
- 小心用刀片切下蚀刻片零件，不要遗失小零件。
- 用强力快干胶水粘合蚀刻片零件和金属轴。过量快干胶水使用可能导致可动零件会粘住，小心涂胶。
- 取蚀刻片时应特别注意安全，防止利边划伤手指。
- 某些零件表面需贴水上贴纸，请选择在装配的同时进行。
- 推荐模型工具(自备)：胶水，水口剪刀，长咀钳，刀片，锉刀，镊子，钳，钻，剪刀，瞬间快干胶。
- 软布同砂纸同时也应该是必备工具。
- 请使用塑料胶水和油漆，模型内不含。



配重
Weight



使用强力胶
Cyanoacrylate glue



钻孔
Make hole



切除
Cut / Remove



贴纸
Decal



锉平
File / Sand



选择
Option



不涂胶水
No cement



弯曲
Bend

水贴纸的使用:

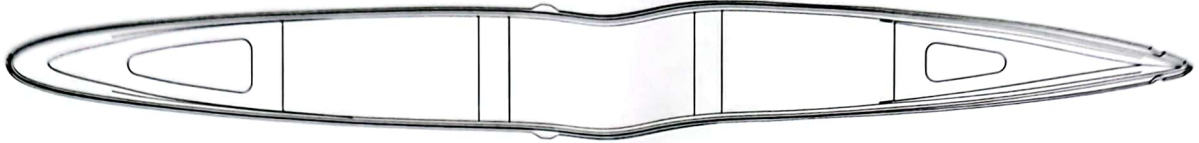
- 1.从水贴上剪下印花;
- 2.将印花放入温水中浸10秒, 然后放在干净布上。
- 3.拿着印花纸板将印花移到模型上;
- 4.手指蘸水将印花移到适当的位置;
- 5.用软布轻压印花直至水干, 气泡消失

DECAL APPLICATION

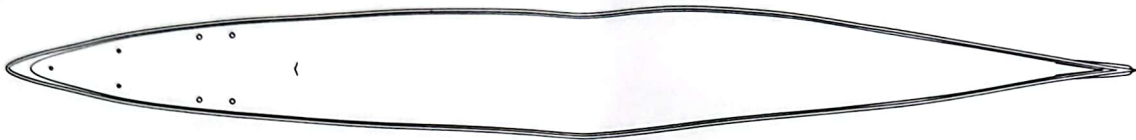
- 1.Cut decals from sheet as needed
- 2.Dip the decal in warm water for about 10 seconds and then place on soft clean cloth.
- 3.Hold the decal backing sheet edge and gently slide the decal onto the model in its proper position.
- 4.While still wet,decal can be adjusted for better fit on model by dampening it gently with your finger.
- 5.When placed in the proper position,gently press decal down with a soft cloth until excess water and air bubbles are gone.
- 6.Allow decal to dry completely before handling model

部品图 Parts

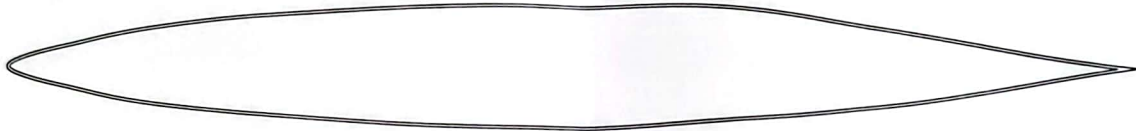
《上船体》
Upper Hull



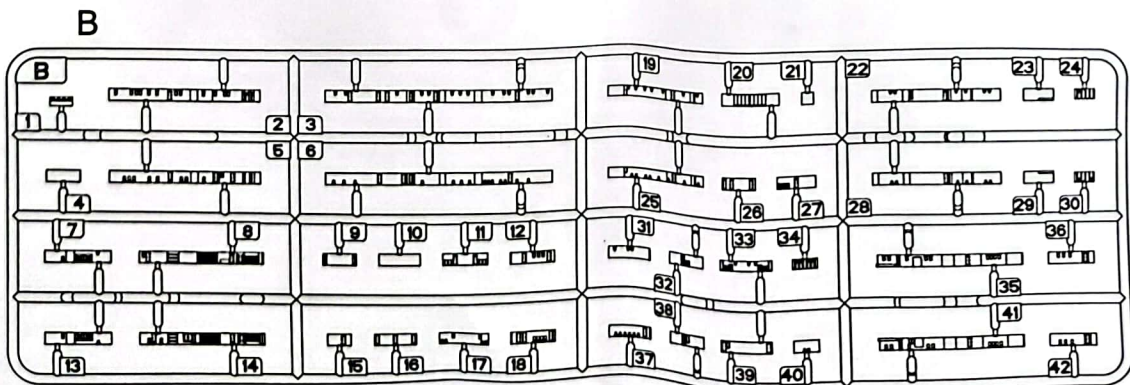
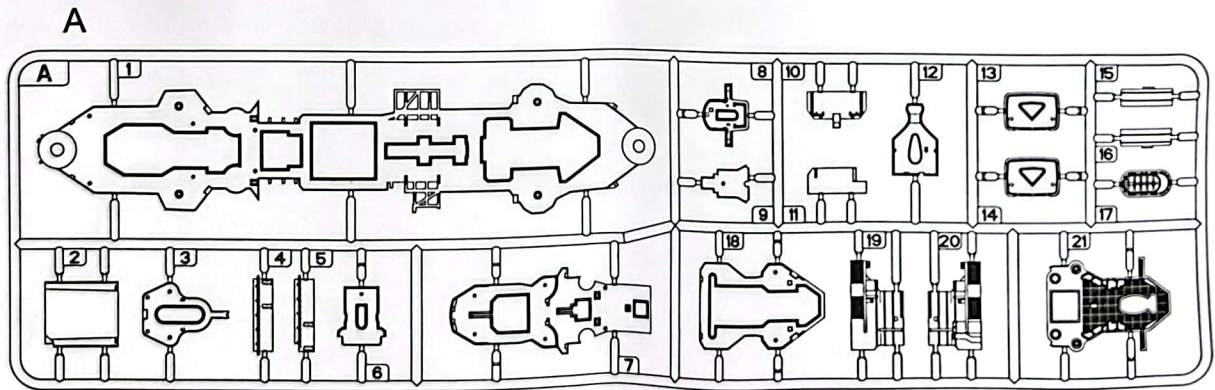
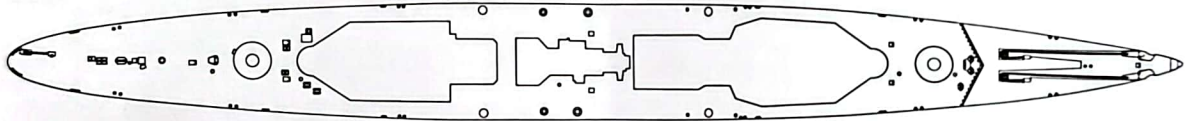
《下船底》
Lower Hull



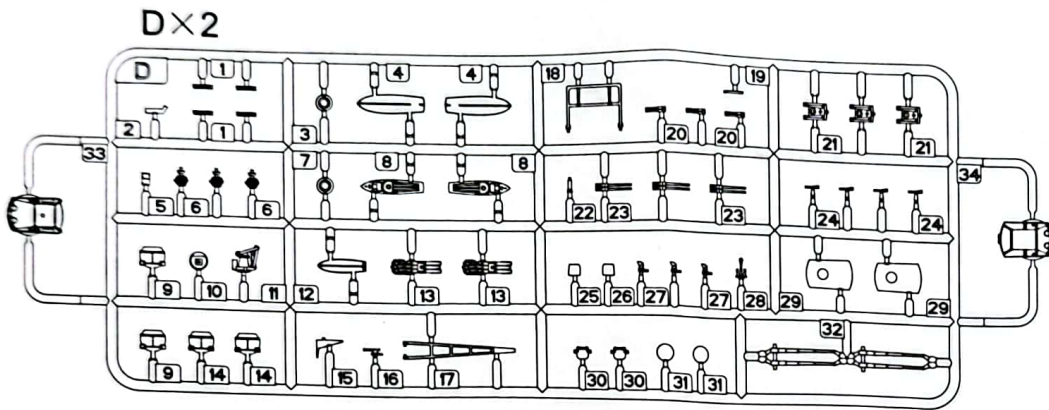
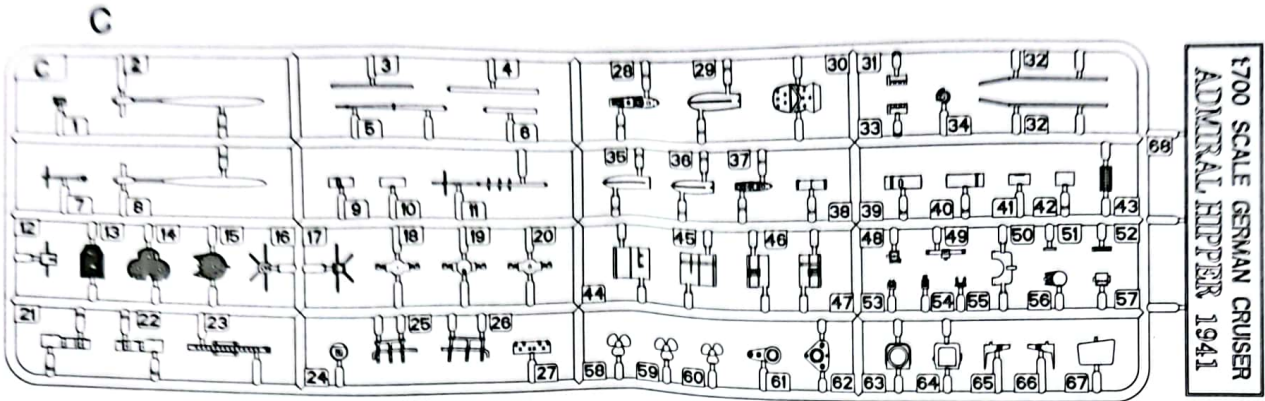
《水线板》
Wateline



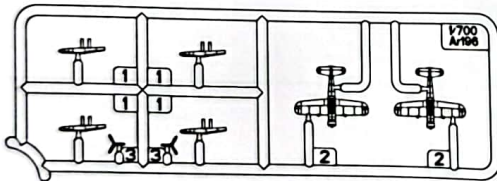
《甲板》
Deck



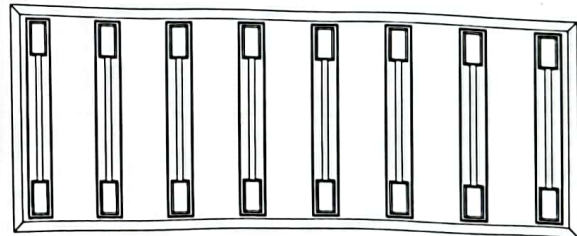
部品图 Parts



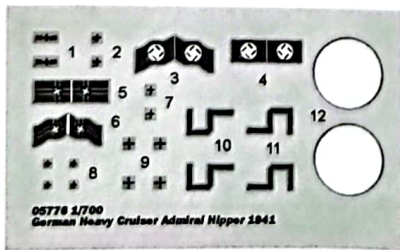
Ar196



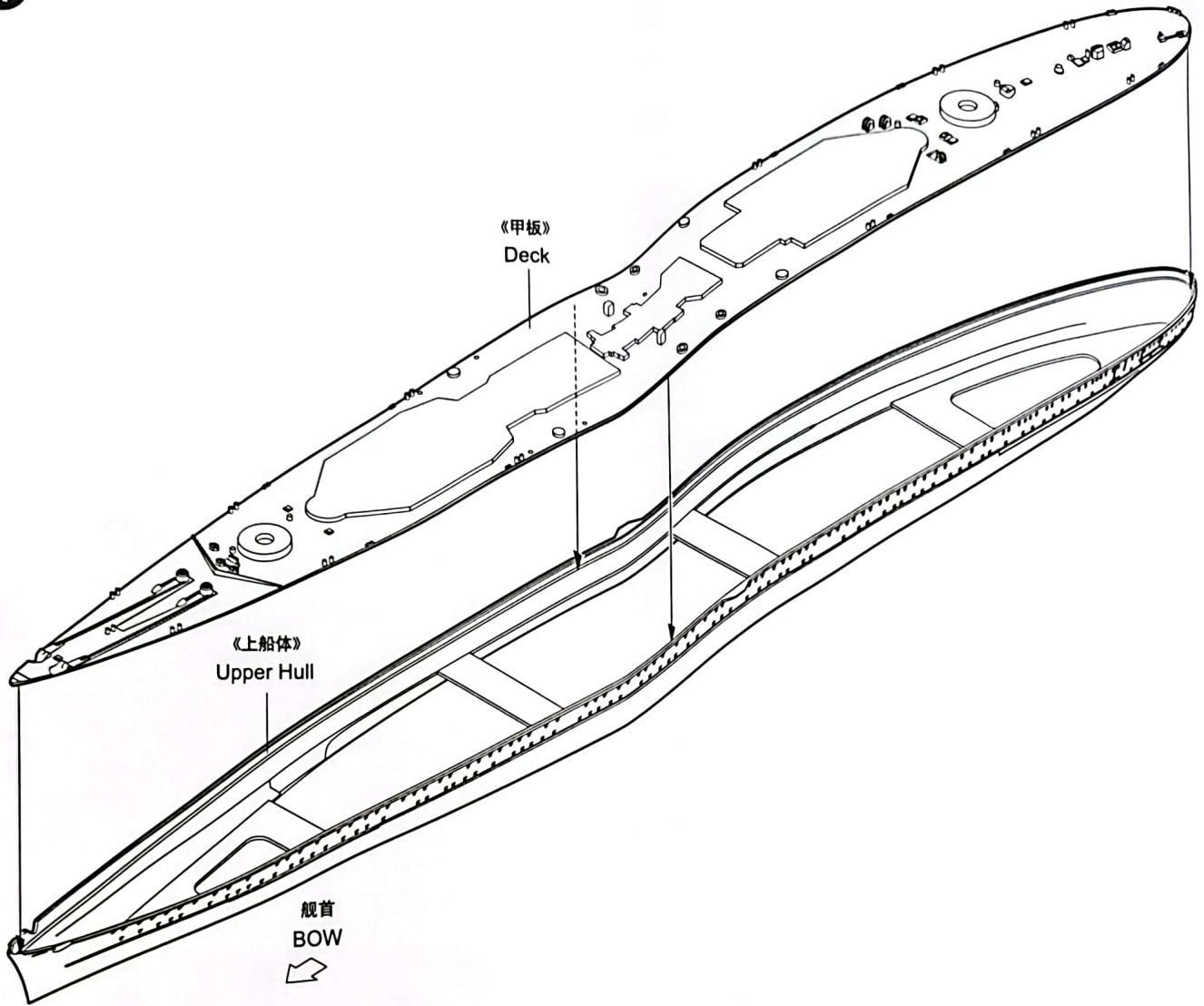
《座架》
Stand



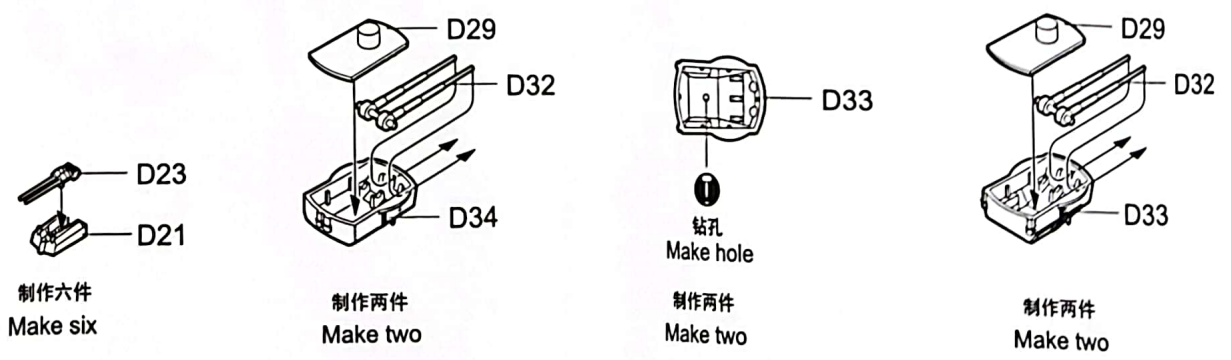
《水贴纸》
Decal



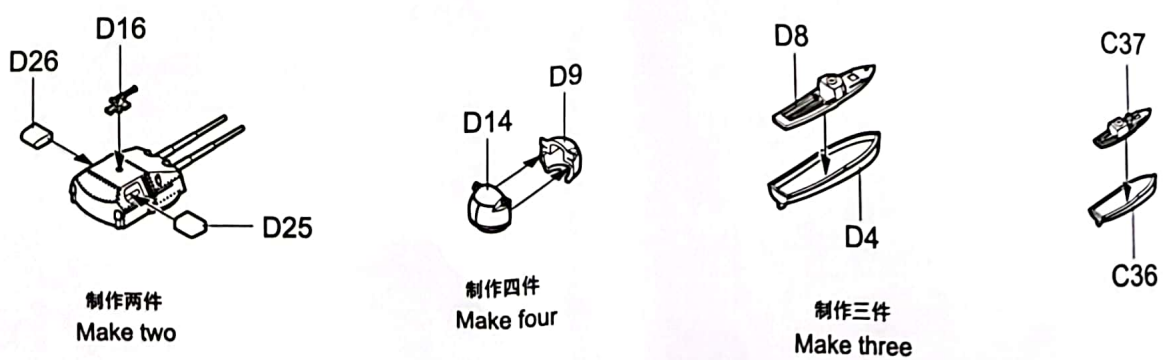
1

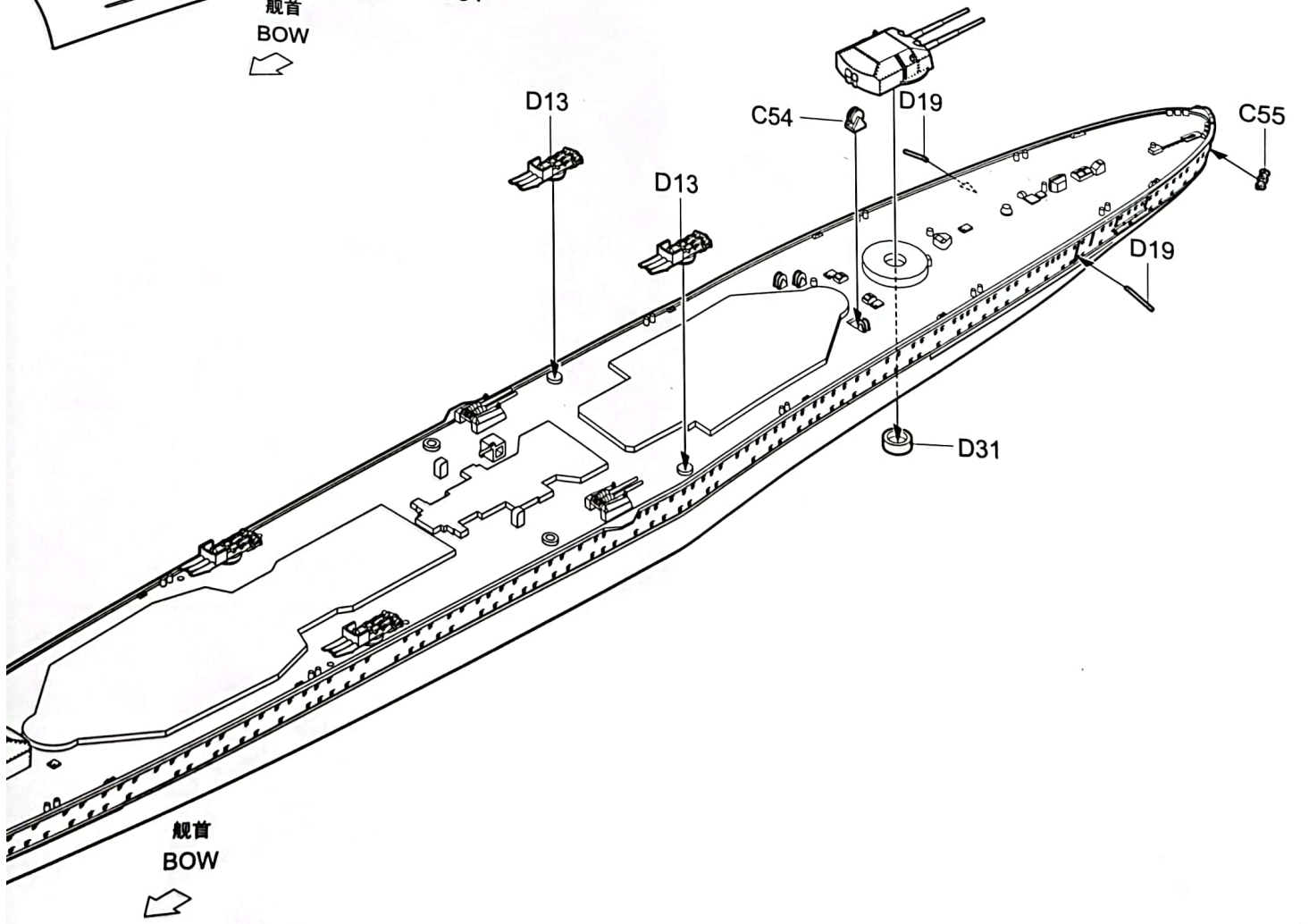
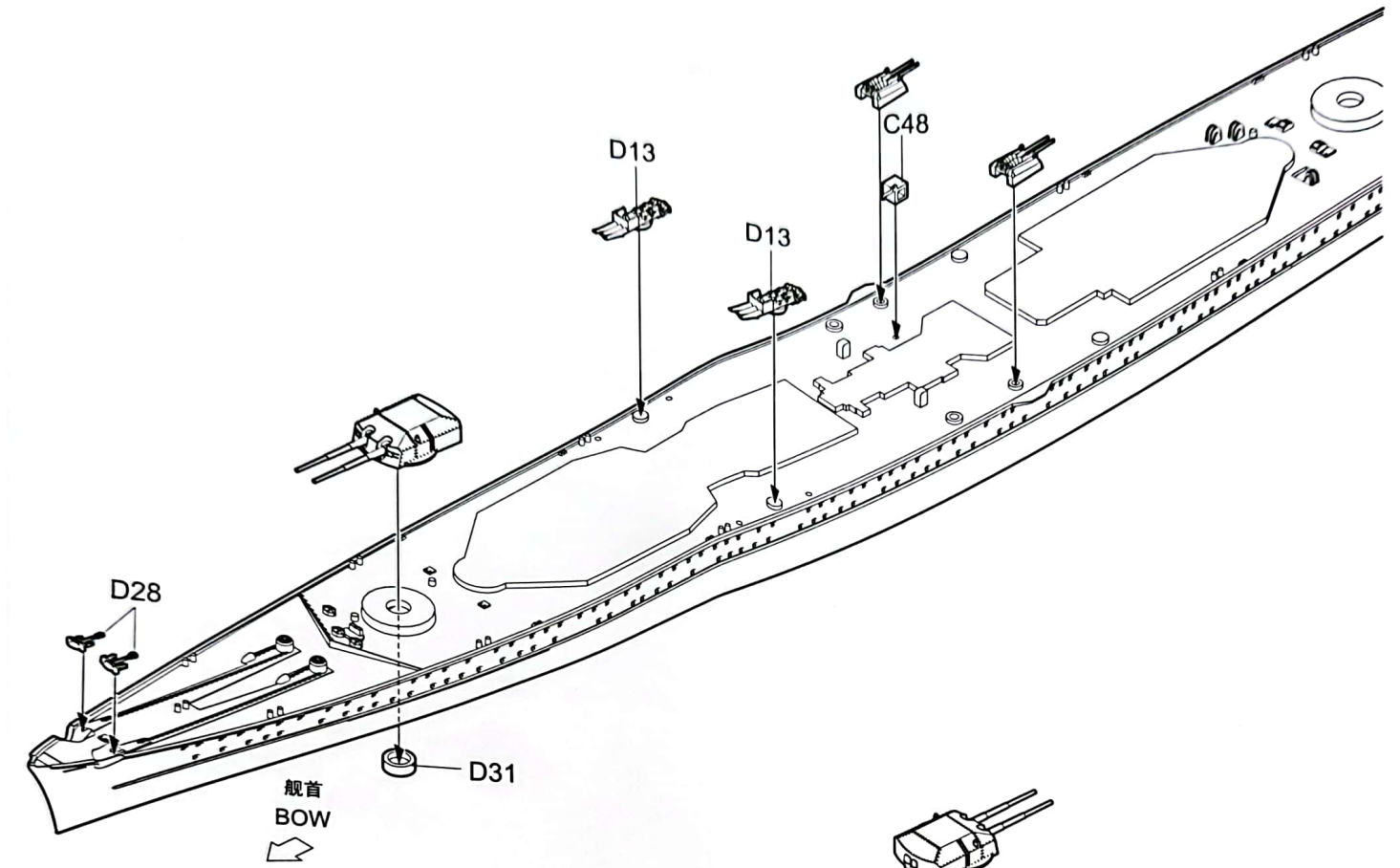


2

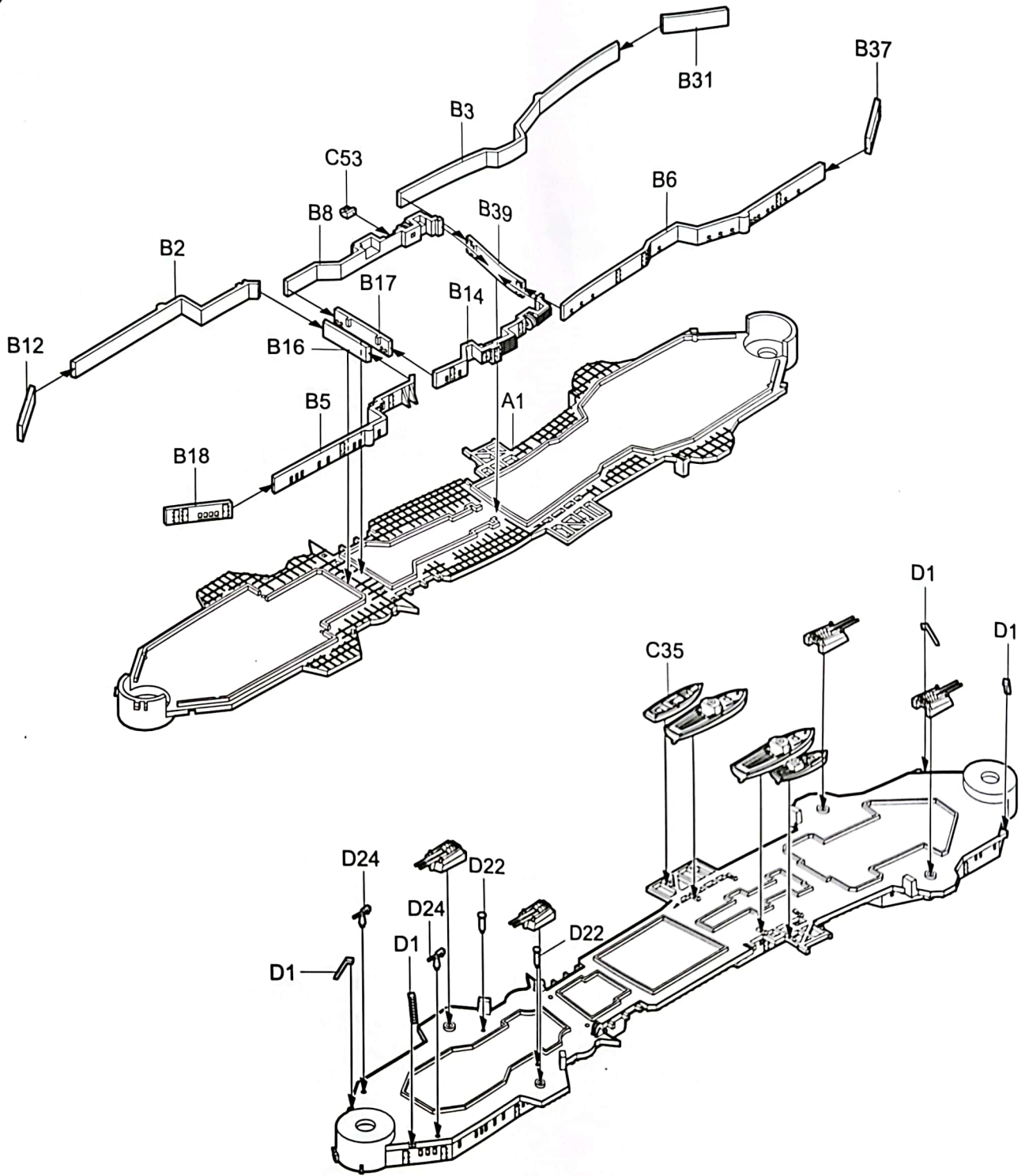


3





5

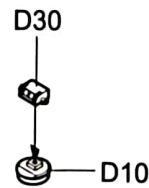
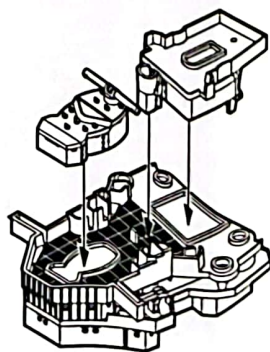
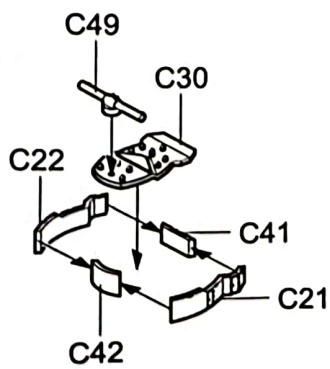
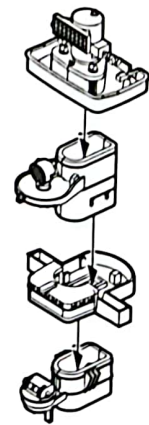
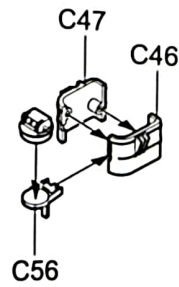
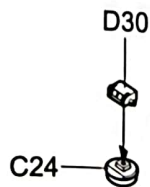
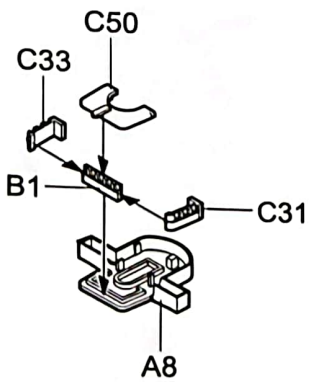
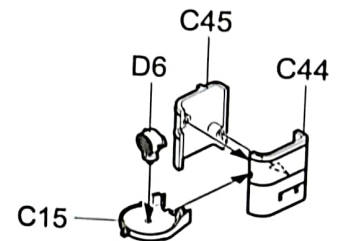
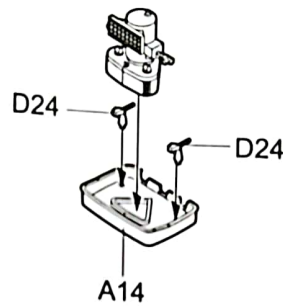
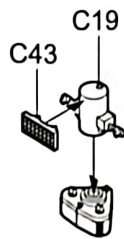
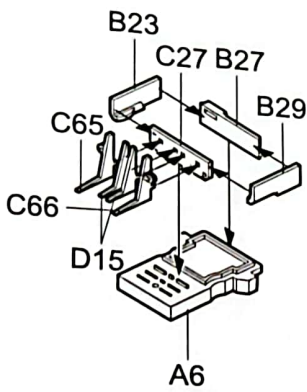
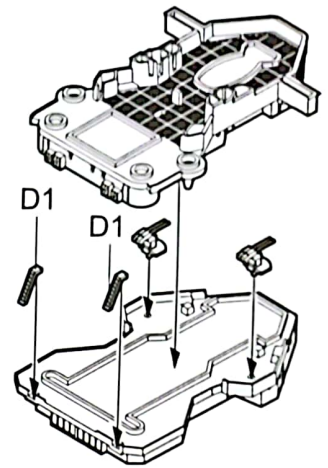
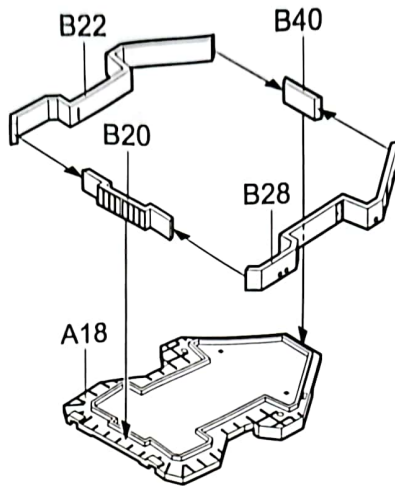
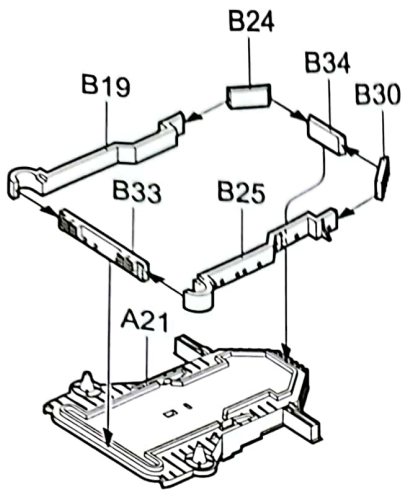


D20
D27
制作六件
Make six

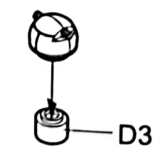
C28
C29

C34
C57

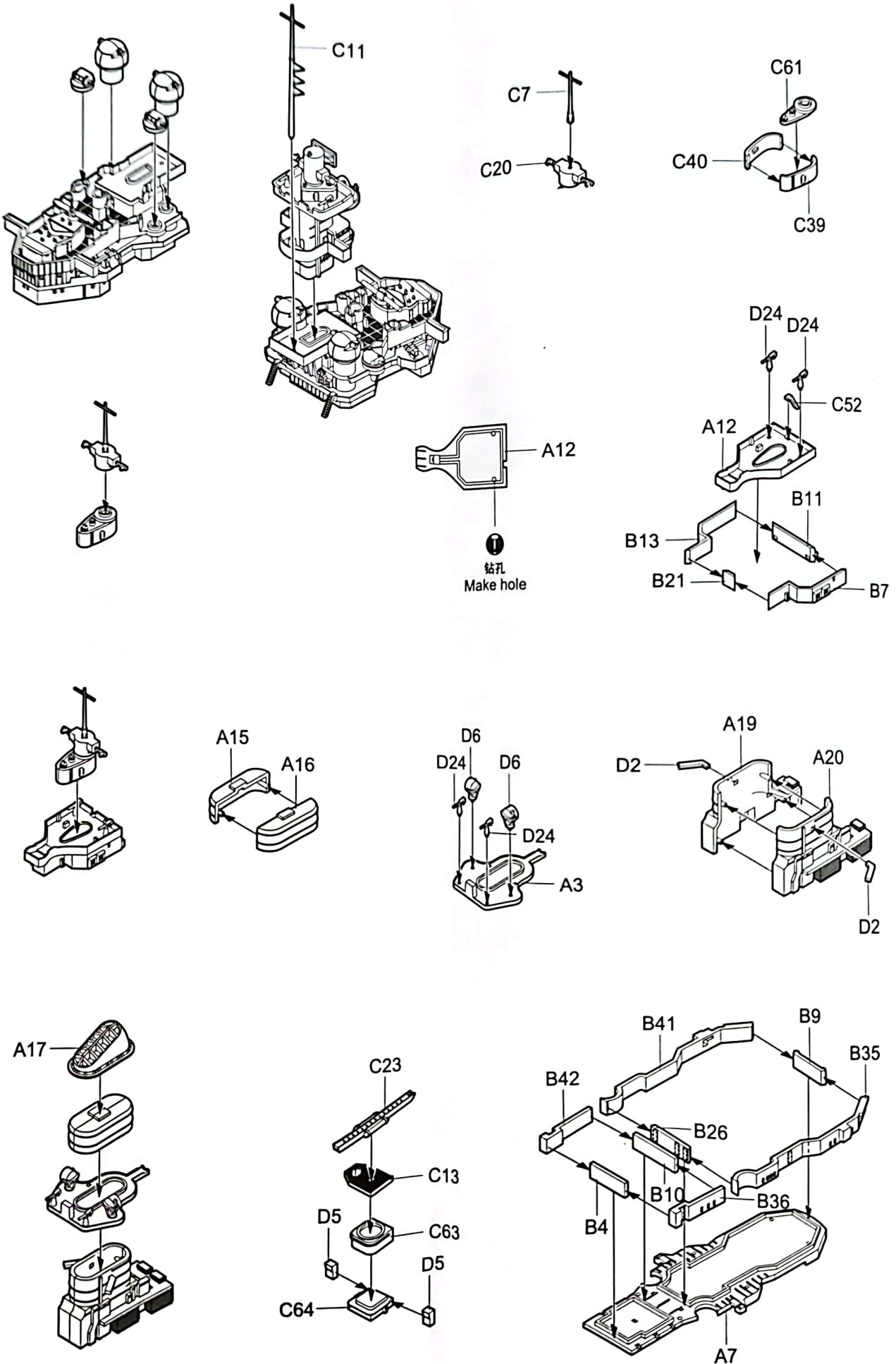
C62
C9
C10
C38

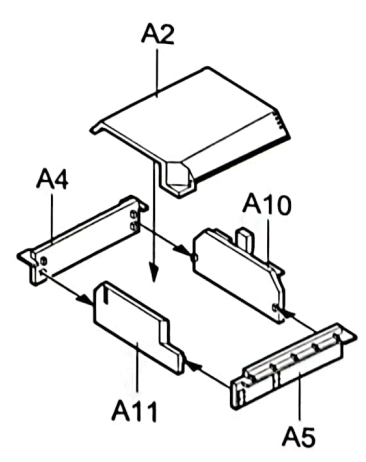
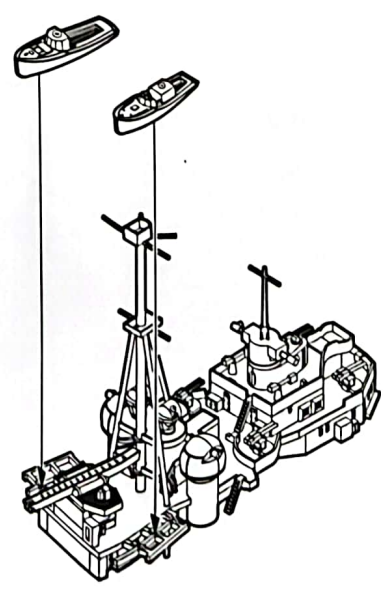
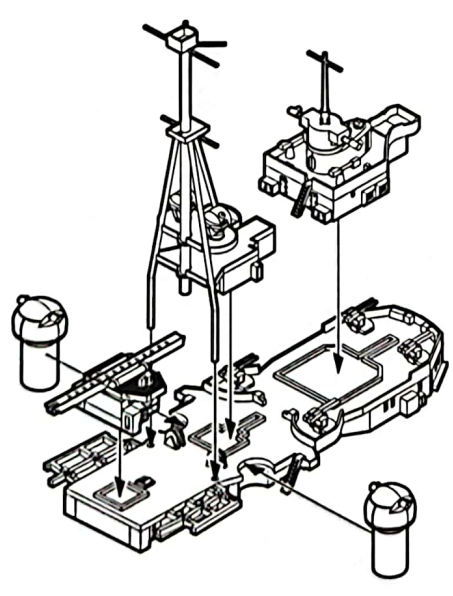
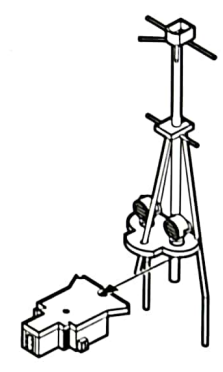
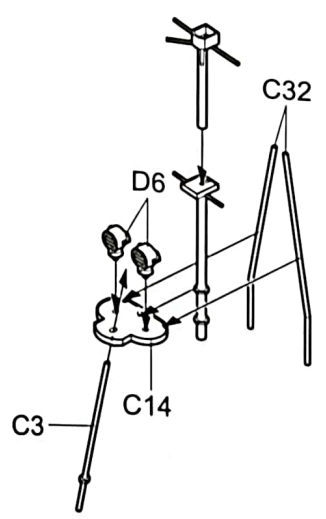
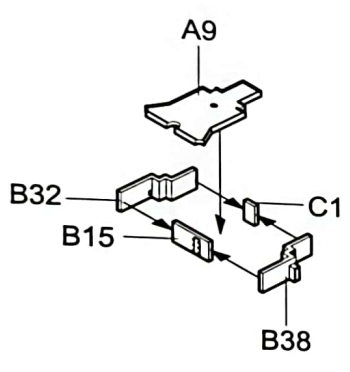
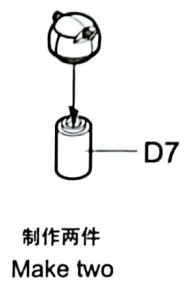
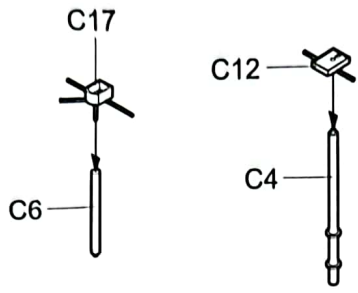
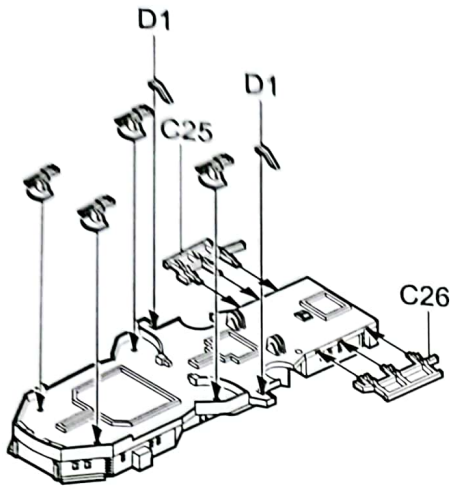


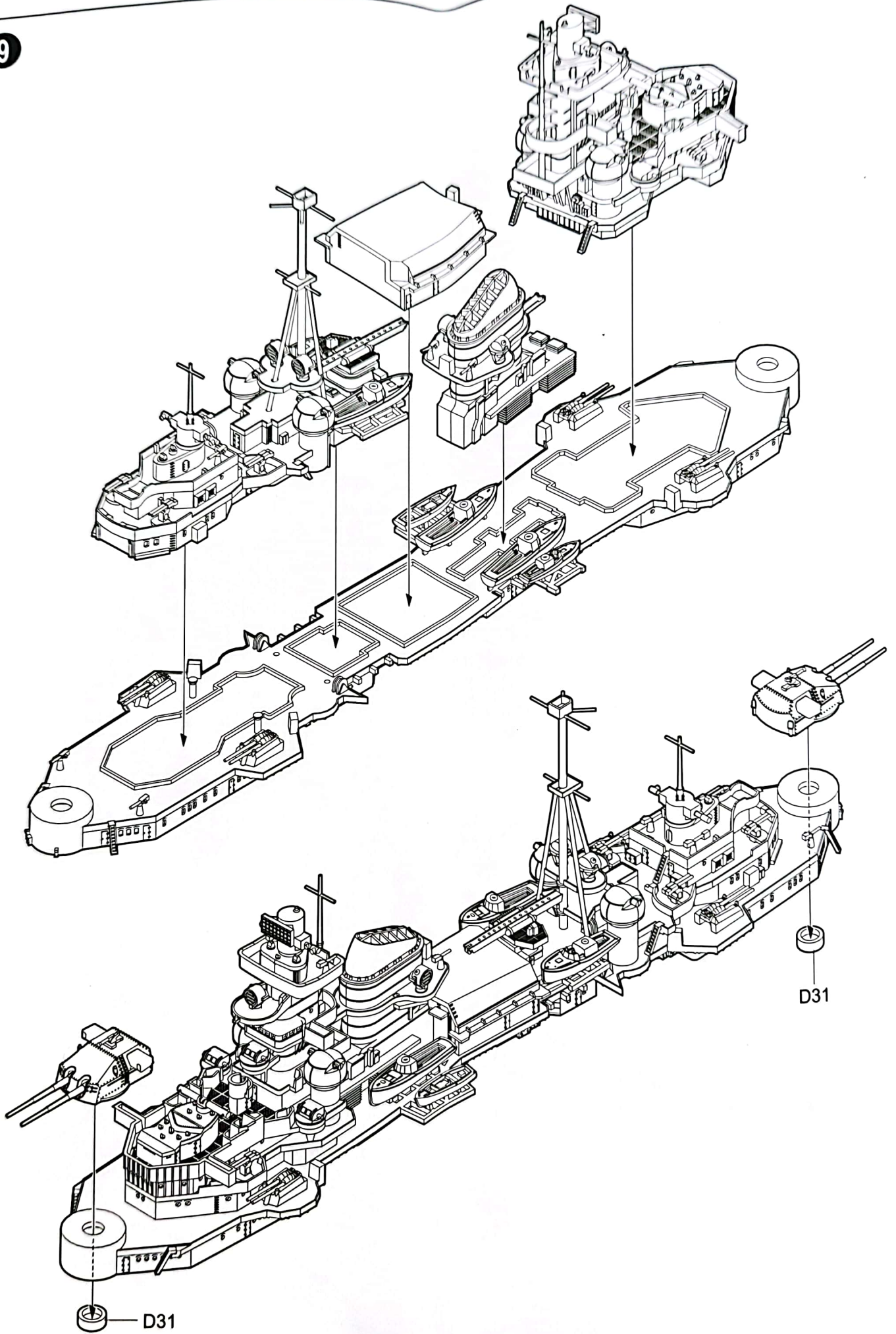
制作两件
Make two



制作两件
Make two

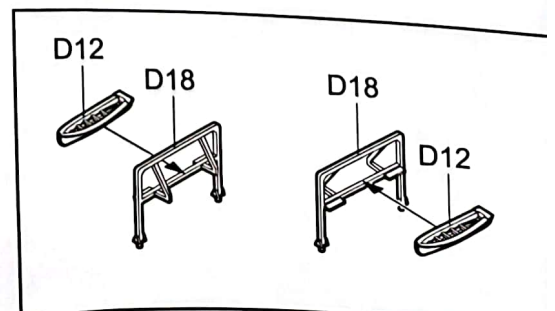
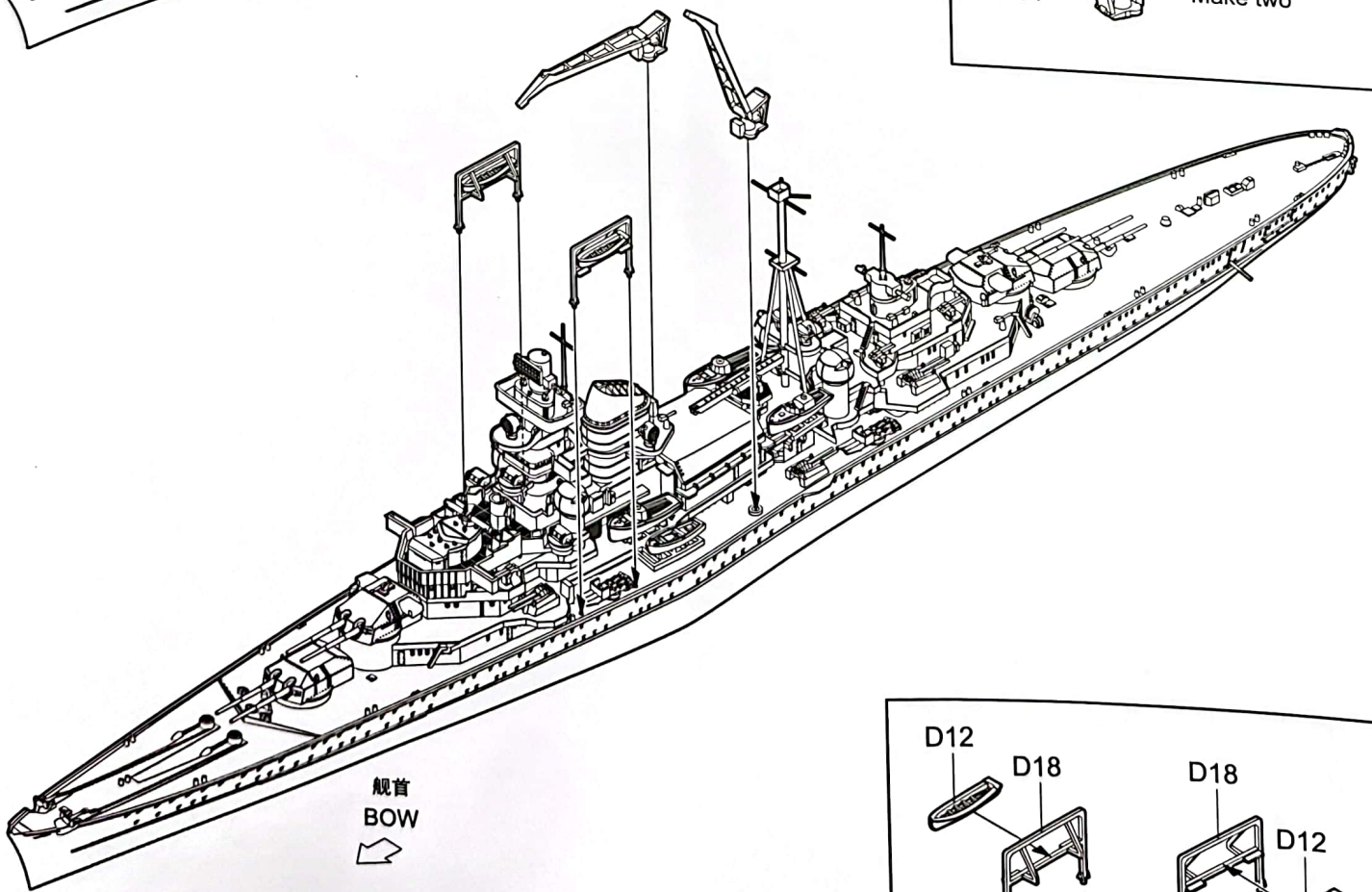
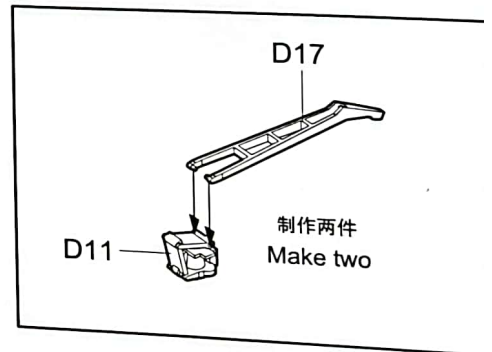
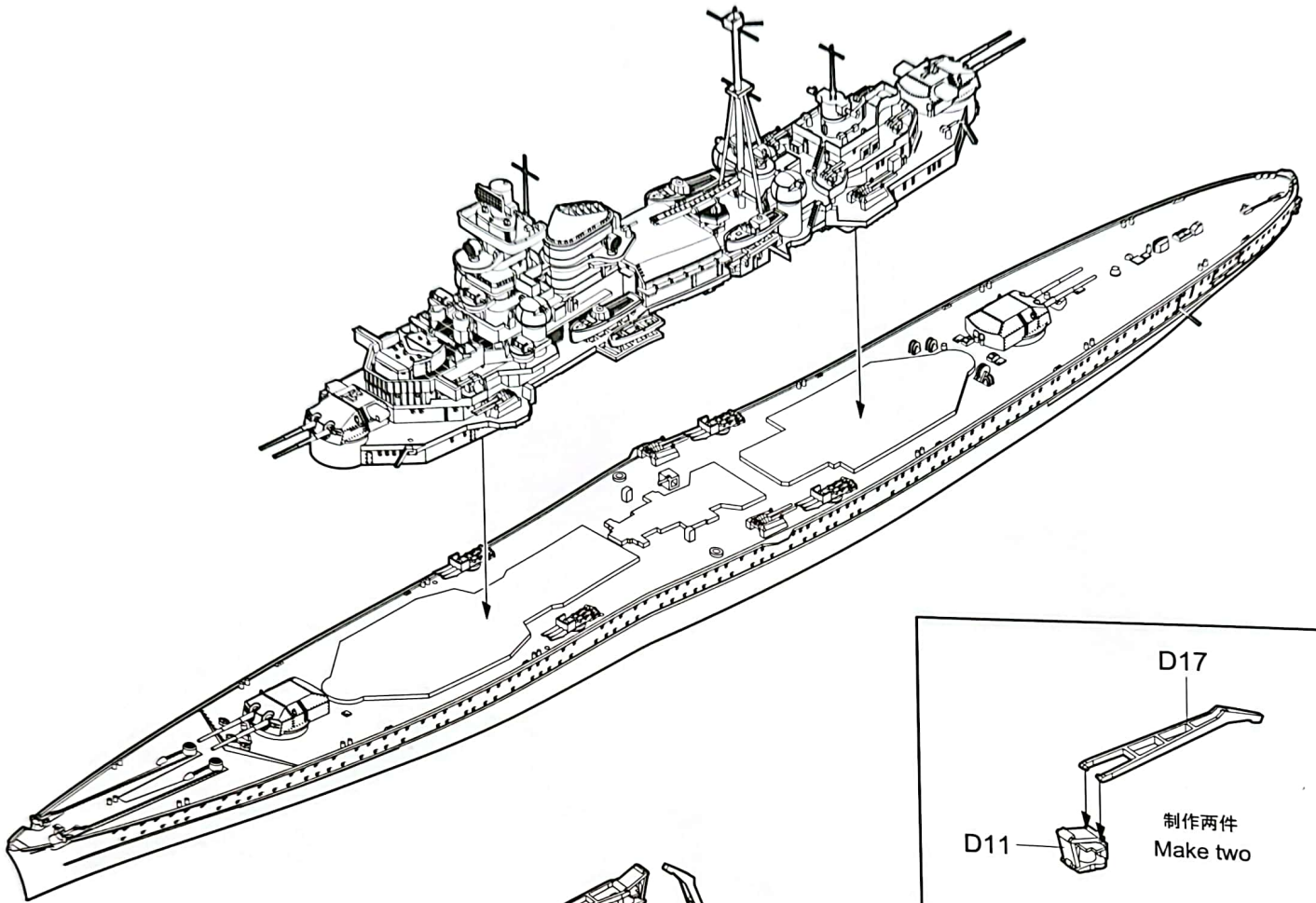




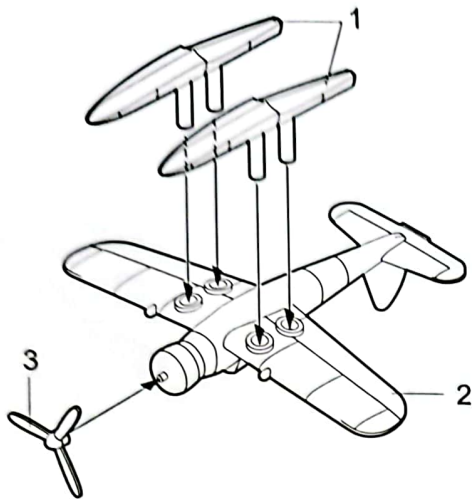


D31

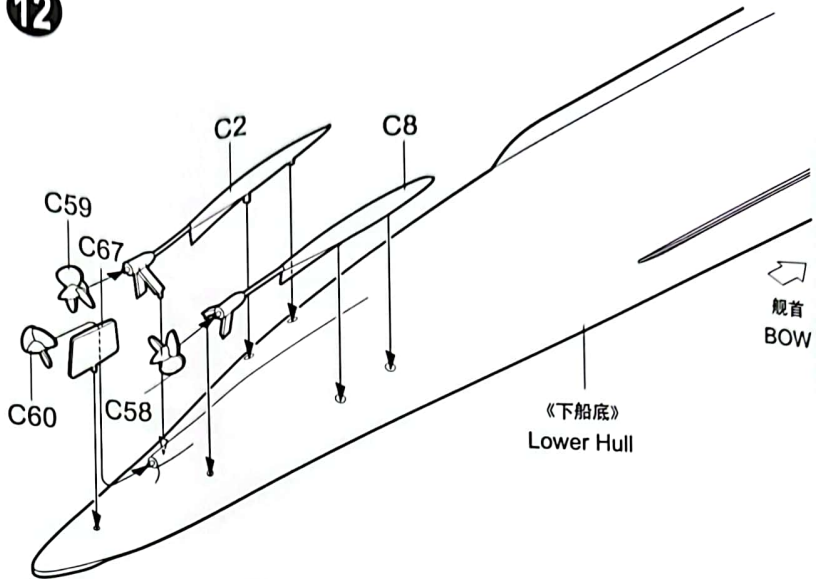
D31



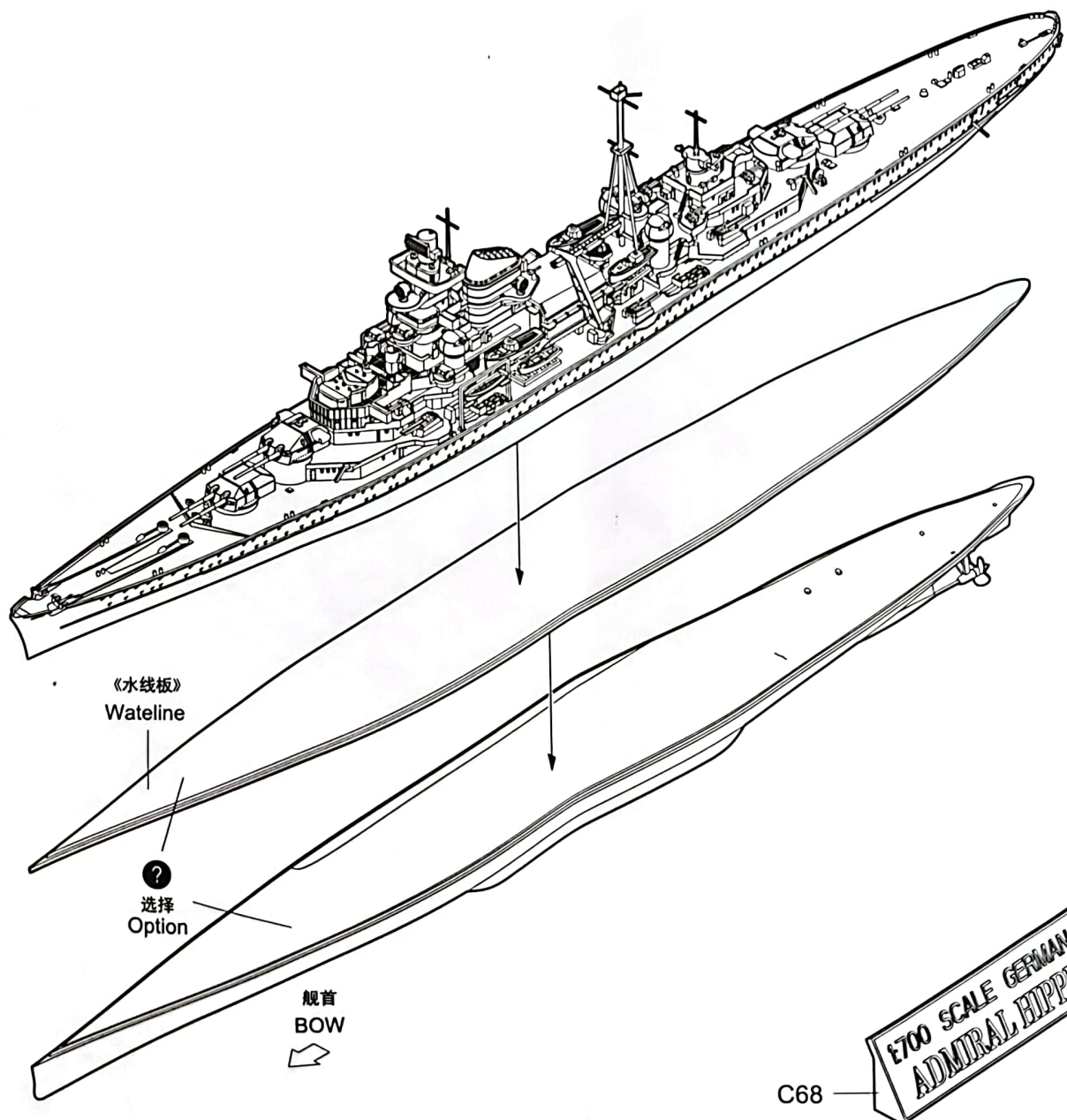
11 Ar196的组装



12



13



涂装同标贴指示 Painting & Marking guide

Color	Mr.Hobby	Vallejo	Model Master	Tamiya	Humbrol
Dark Green 暗绿色	H 64 17	-	-	-	-
Black Green 墨绿色	H 65 18	897	-	XF27	91
Gray 灰色	H 308 308	990	1728	XF19	127

Color	Mr.Hobby	Vallejo	Model Master	Tamiya	Humbrol
Bright Red 红色	H 3 3	908	1503	X7	19
Flat Black 消光黑	H 12 33	950	1749	XF1	33
Hull Red 舰底红	H 17 29	985	-	XF9	177
Tan 黄褐色	H 27 44	981	-	-	9
Gold 金色	H 9 9	878	1744	X12	16
Flat White 哑光白	H 11 62	951	1768	XF2	34
Orange Yellow 黄橙色	H 24 58	-	-	-	-
Gray 深灰色	H 305 305	868	1723	XF58	125

