

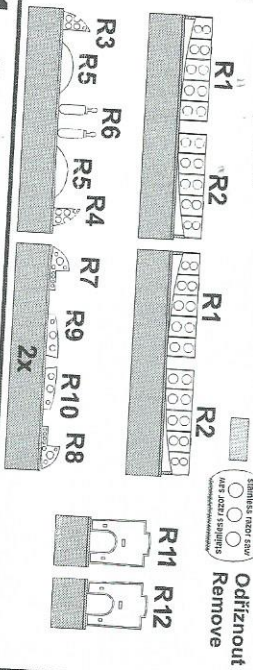
Bristol Blenheim Mk.I

Landing gear set For Air-fix kit

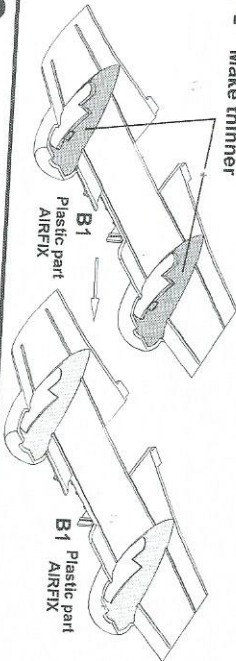
Scale 1/72

U72-158

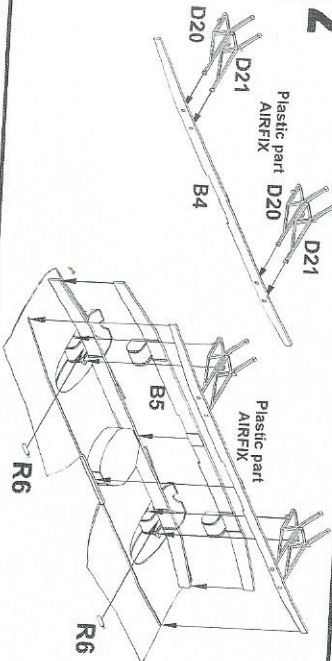
Resin parts



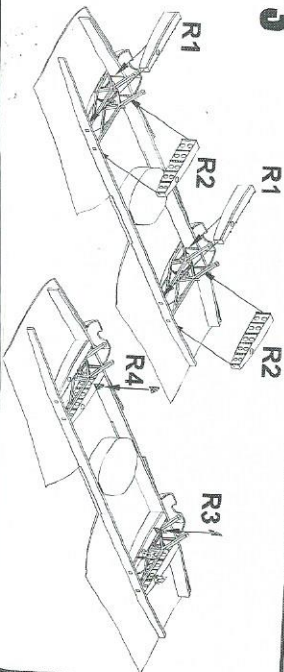
1 Ztenci!/ Make thinner



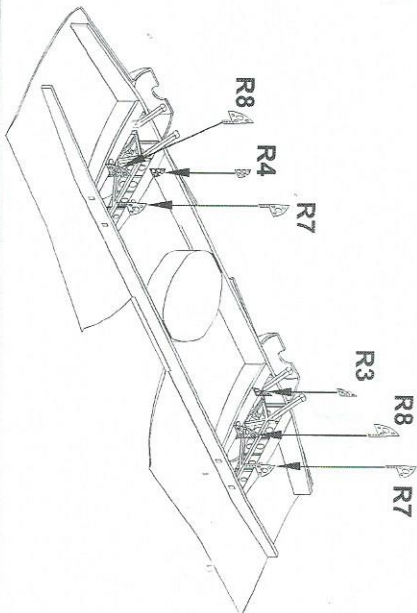
2 Plastic part D20 AIRFIX



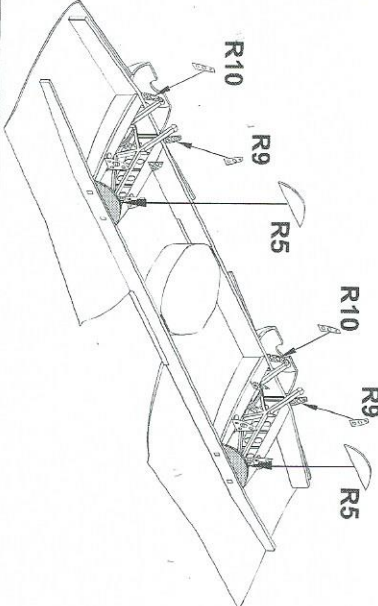
3 R1 R2 R3 R4



4



5



6

