

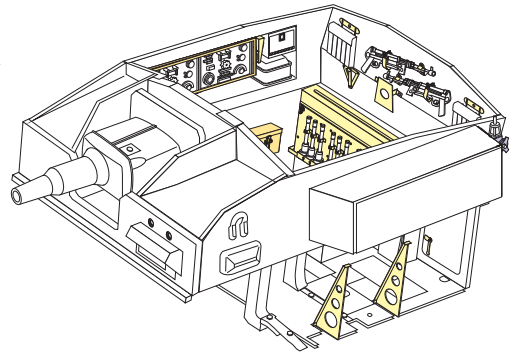
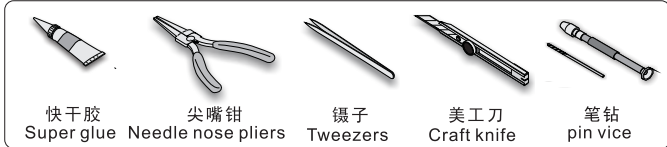
1/35 MILITARY MINIATURE VEHICLE UPGRADE SERIES PE35838

WWII German StuG.III Ausf.E INTERIOR

二战德军III号突击炮E型战斗室内部改造件

[For DRRGON 6688]

推荐使用工具 RECOMMENDED TOOLS



- ↑
安装
install
- ↩
折叠
bend
- A1
改造件零件编号
PE/resin part number
- B12
原零件编号
kit part number
- G22
被替换的原零件编号
replaced kit part number
- ↔
另一侧相同制作
repeat on opposite side
- ✂
切除
remove
- 🔪
打磨
grind off
- 📐
弧度卷曲
radial bending
- x2
制作若干组
multiple assembly
- ⇄
选择安装
alternative
- 🔧
钻孔
drill

↓
用尖端在凹槽处冲压
use penpoint to press on the dent

蚀刻片零件内朝向上
Put the part upside down

用笔尖在凹槽处刺
Use penpoint to press on the dent

金属件 Metal part 3 D8 x2
金属件 Metal part 1 D8 x2
金属件 Metal part 2 D8 x1

拧90°
Twist 90 degrees

G15, G16, G34, G37, G38, G39, G40, G41, G42, G43, G44, G45, G46, G47, G48, G49, G50, G51, G52, G53, G54, G55, G56, G57, G58, G59, G60, G61, G62, G63, G64, G65, G66, G67, G68, G69, G70, G71, G72, G73, G74, G75, G76, G77, G78, G79, G80, G81, G82, G83, G84, G85, G86, G87, G88, G89, G90, G91, G92, G93, G94, G95, G96, G97, G98, G99, G100

Mp40
G13

拧90°
Twist 90 degrees

G15, G16, G34, G37, G38, G39, G40, G41, G42, G43, G44, G45, G46, G47, G48, G49, G50, G51, G52, G53, G54, G55, G56, G57, G58, G59, G60, G61, G62, G63, G64, G65, G66, G67, G68, G69, G70, G71, G72, G73, G74, G75, G76, G77, G78, G79, G80, G81, G82, G83, G84, G85, G86, G87, G88, G89, G90, G91, G92, G93, G94, G95, G96, G97, G98, G99, G100

G36, G22, G24

G19

G38, G39

G18, G37

Mp40弹药取自其他套件
Mp40 magazine matched from other kit

D4, D3, D2, G4, e

G17, G28, 软金属线 Soft wire

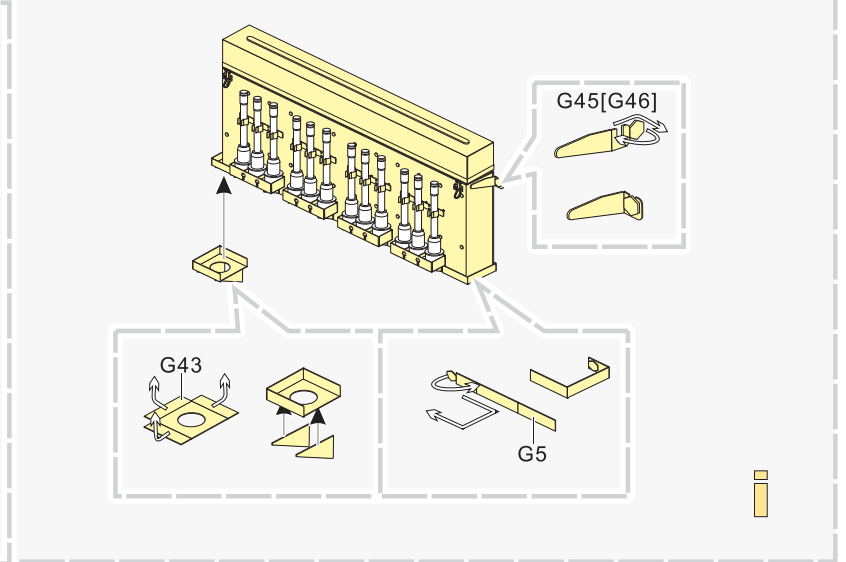
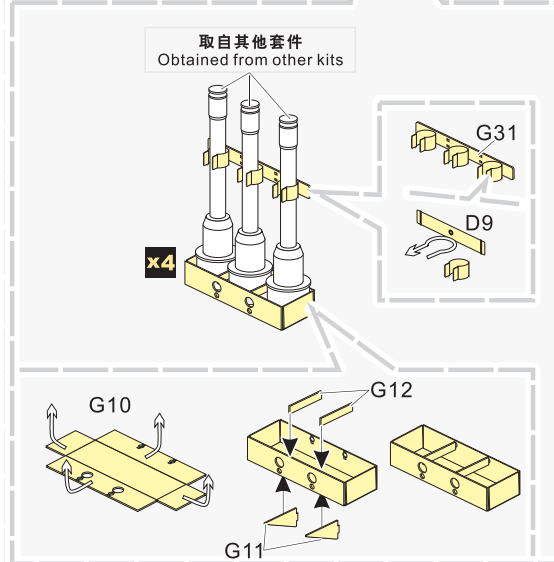
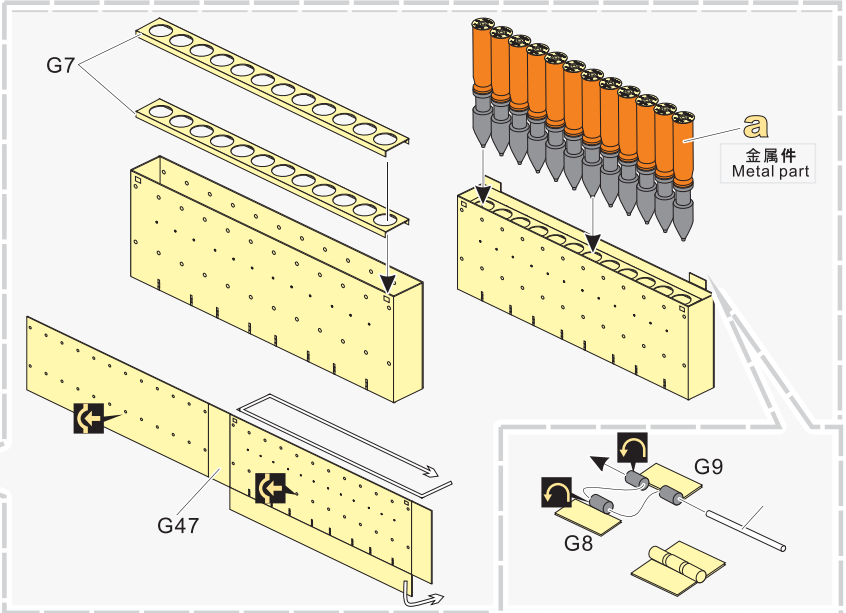
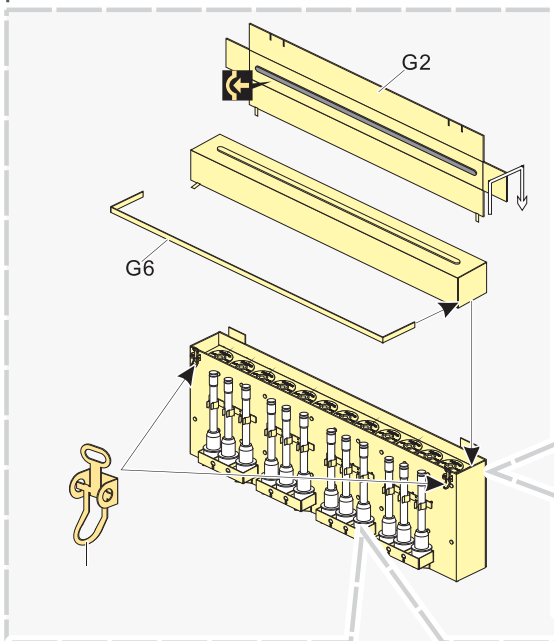
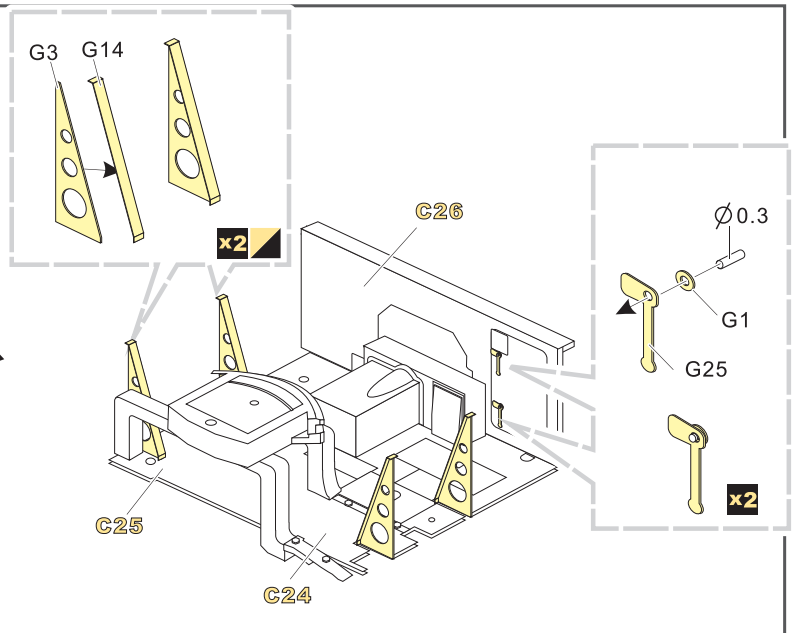
1/35 MILITARY MINIATURE VEHICLE UPGRADE SERIES PE35838



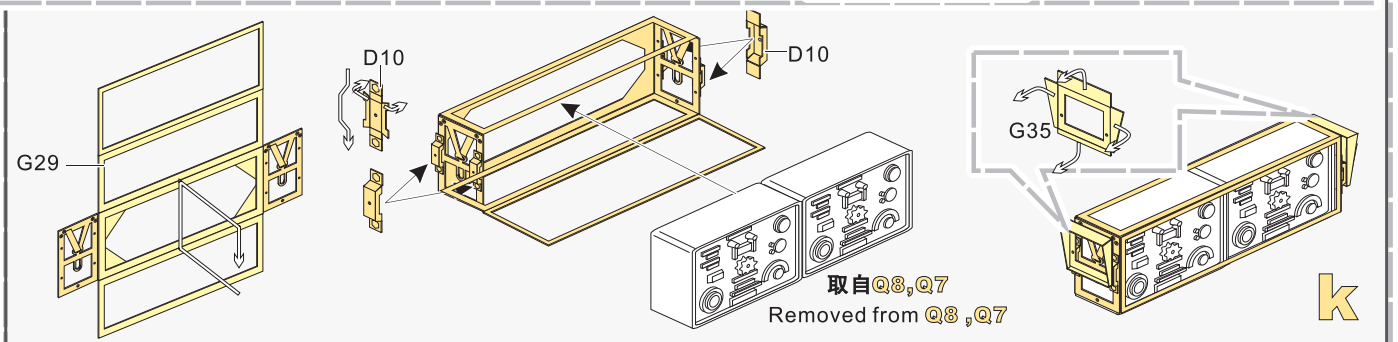
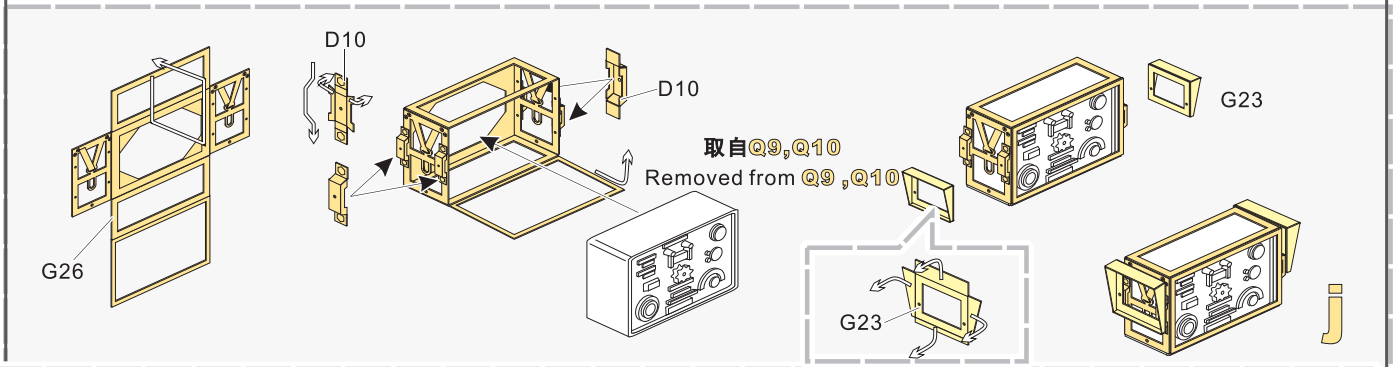
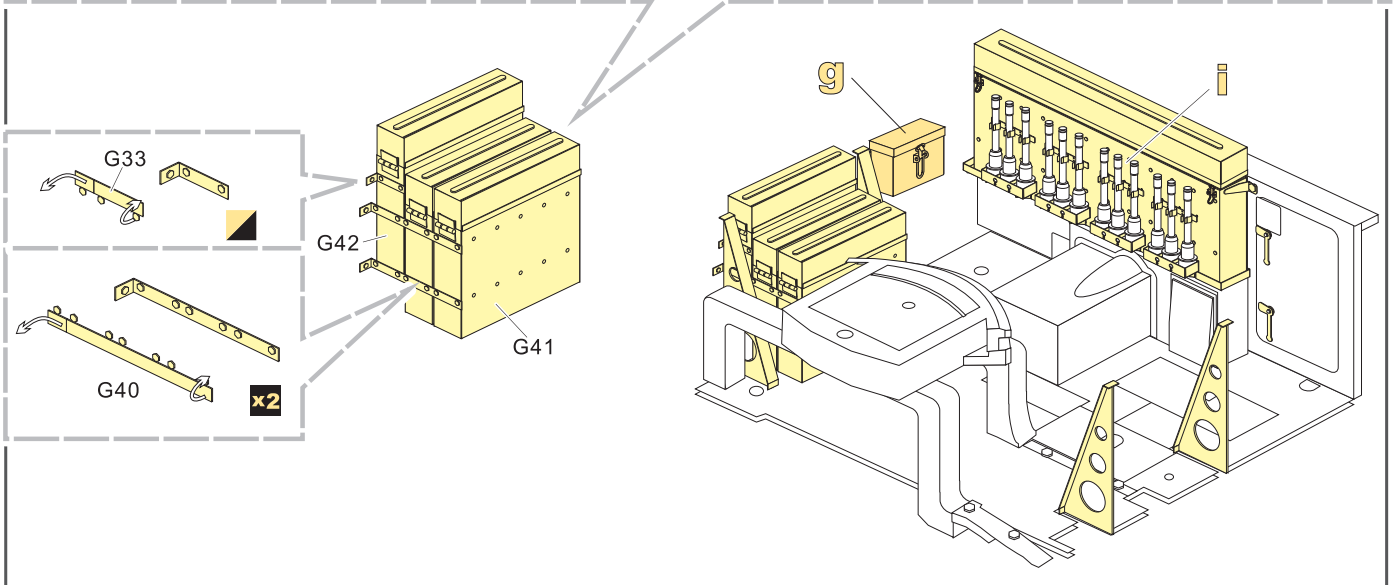
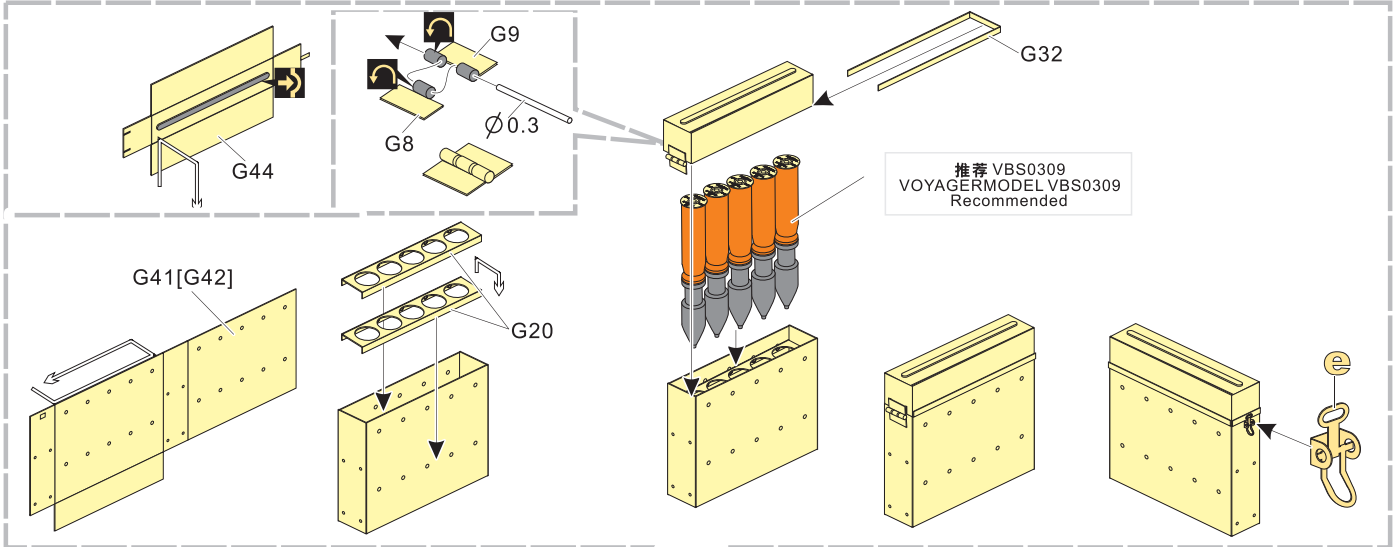
**VOYAGER
MODEL**



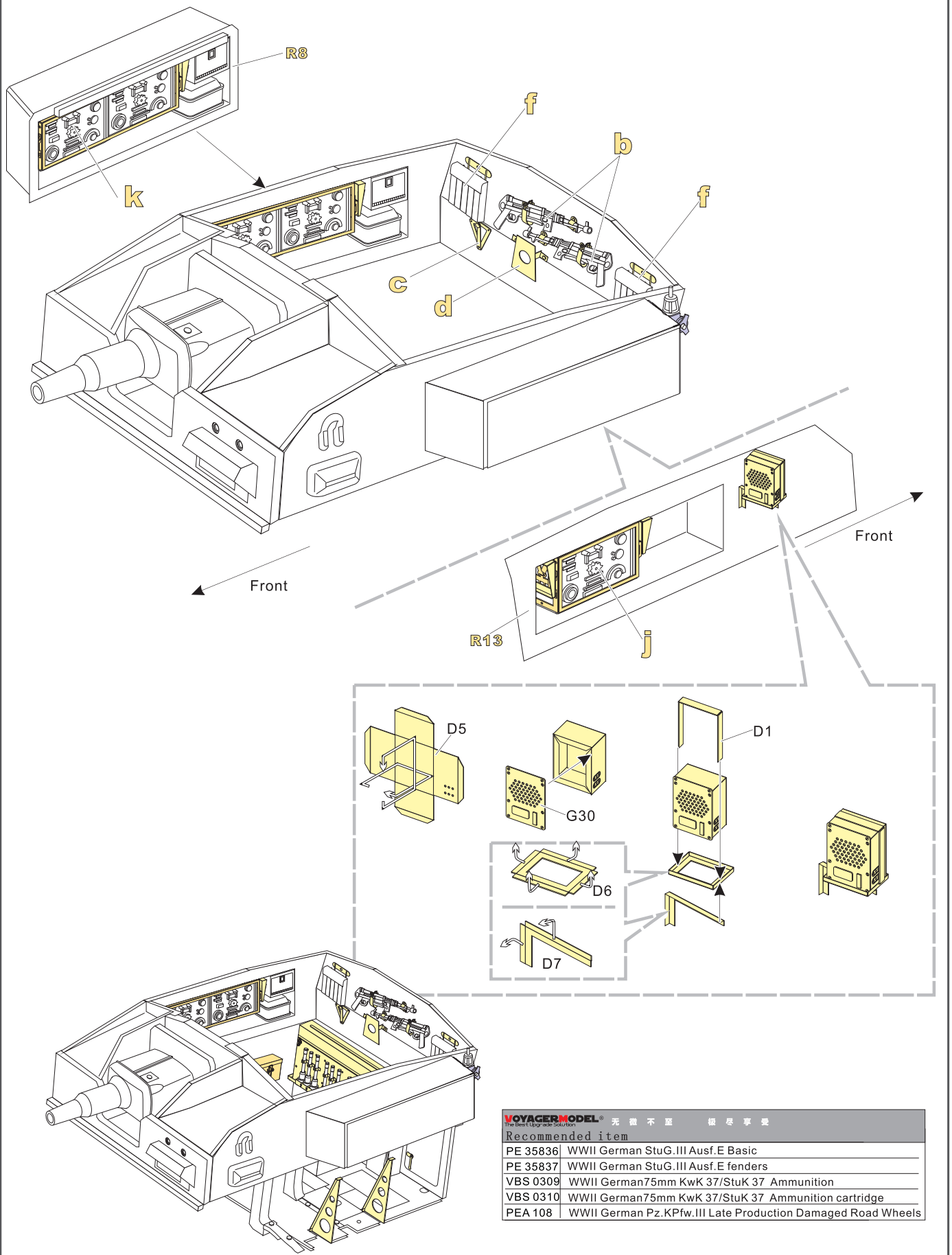
更多PE35838样品照片参考请扫一扫
MORE PICTUER OF PE 35838
REFERENCE SCAN HERE



1/35 MILITARY MINIATURE VEHICLE UPGRADE SERIES PE35838



1/35 MILITARY MINIATURE VEHICLE UPGRADE SERIES PE35838



VOYAGERMODEL® 无微不至 极致享受
The Best Upgrade Solution

Recommended item

PE 35836	WWII German StuG.III Ausf.E Basic
PE 35837	WWII German StuG.III Ausf.E fenders
VBS 0309	WWII German 75mm KwK 37/StuK 37 Ammunition
VBS 0310	WWII German 75mm KwK 37/StuK 37 Ammunition cartridge
PEA 108	WWII German Pz.KPfw.III Late Production Damaged Road Wheels