

ITEM NO.02202

Republic F-105G Wild Weasel

1:32 SCALE 美国共和F-105G野鼬鼠歼击机

READ BEFORE ASSEMBLY

- Study and understand this instructions thoroughly before beginning assembly.
- Remove all injection pins carefully using a modeling file.
- Cut off the photo-etched parts carefully using a modeling knife. Be sure not to lose small parts.
- Apply instant cement to photo etched parts and shafts. Apply too much instant cement will cause movable parts to stick. Apply cement carefully.
- Extra care should be taken to avoid personal injury when handling the photo etched parts.

- Some parts should depend on decals. Select prior to assembly.
- Tools recommended: (Not included in this kit) Cement; Side cutters; Long nose pliers; Modeling knife; Modeling life; Tweezers; Pin vise; Scissors; Instant cement.
- Soft cloth and sand paper will also assist in construction.
- Glue and paints are not included in the kit. Use plastic cement or paints only.
- Keep out of reach of small children. Children must not be allowed to suck any part, or pull vinyl bag over the head.

装配之前仔细阅读

- 小心用模型锉刀锉平所有零件表面的注射浇口。
- 小心用刀片切下蚀刻片零件，不要遗失小零件。
- 用强力快干胶水粘合蚀刻片零件和金属轴。过量的快干胶水使用可能导致可动零件会粘住，小心涂胶。
- 取蚀刻片时应特别注意安全，防止利刃划伤手指。
- 某些零件表面需贴水上贴纸，请选择在装配的同时进行。
- 推荐模型工具(自备): 胶水、水口剪刀、长咀钳、刀片、锉刀、镊子钳、钻、剪刀、瞬间快干胶。
- 软布同砂纸同时也应该是必备工具。
- 请使用塑料胶水和油漆，模型内不含。
- 谨防小孩吮吸塑料零件，或者将塑料袋套在头上，制作时应将套材远离小孩接触。

水贴纸的使用:

1. 从水贴纸上剪下印花;
2. 将印花放入温水中浸10秒，然后放在干净布上。
3. 拿着印花纸板将印花移到模型上;
4. 手指蘸水将印花移到适当的位置;
5. 用软布轻压印花直至水干，气泡消失。

DECAL APPLICATION

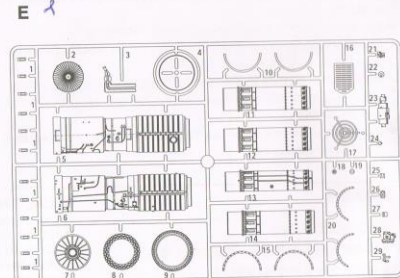
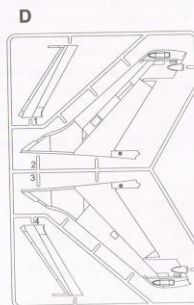
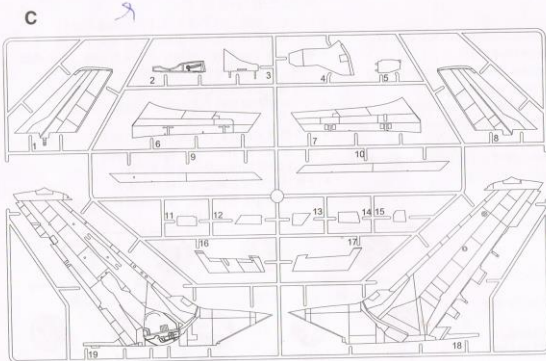
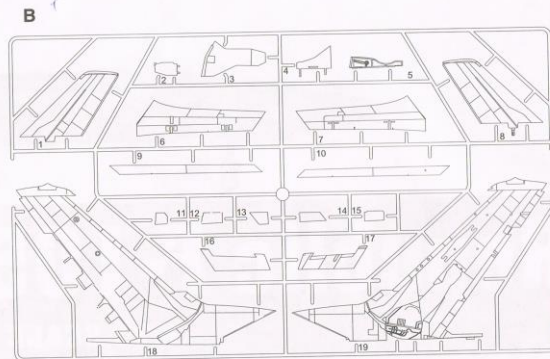
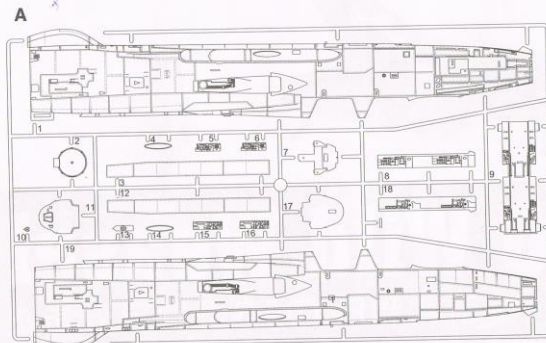
1. Cut off decal from sheet.
2. Dip the decal in tepid water 40° C for about 10 sec. and place on a clean cloth.
3. Hold the backing sheet edge and slide decal onto the model.
4. Move decal into position by wetting decal with finger.
5. Press decal gently down with a soft cloth until excess water and air bubbles are gone.



02202

1

部品图 Parts



02202

2

I 3

J 4

F×2 4

G

K 3

L×2 3

M×5

H

前轮胎 Nose tire

主轮胎 Main tire

蚀刻片 Photo etched parts(PE)

菲林片 Film

水贴纸 Decal A 1PCS

水贴纸 Decal B 1PCS

轴: Shaft: $\phi 1.0 \times 20.0\text{mm}$ 8PCS

$\phi 1.0 \times 14.0\text{mm}$ 4PCS

$\phi 1.0 \times 45.0\text{mm}$ 1PCS

02202

3

1 座椅的组装
Pilot seat assembly

黄色 Yellow

灰色 Cackpt Gray (FS 36231) 制作2套 Make two

红色 Red

消光黑 Flat black

橄榄色 Olive drab(FS 34087)

红色 Red

灰白色 Flat gray

橄榄色 Olive drab(FS 34087)

2 前舱仪表板的组装
Fore instrument panel assembly

白色 White

《菲林1》 Film 1

消光黑 Flat black

细节白色 white details

3 后舱仪表板的组装
Rear instrument panel assembly

白色 White

《菲林3》 Film 3

消光黑 Flat black

细节白色 white details

《菲林4》 Film 4

《菲林2》 Film 2

4 座舱的组装
Cockpit assembly

消光黑, 细节白色 Flat black, white details

《前舱仪表板》 Fore instrument panel

《后舱仪表板》 Rear instrument panel

《座椅》 Pilot seat

《座椅》 Pilot seat

灰色 Cackpt Gray (FS 36231)

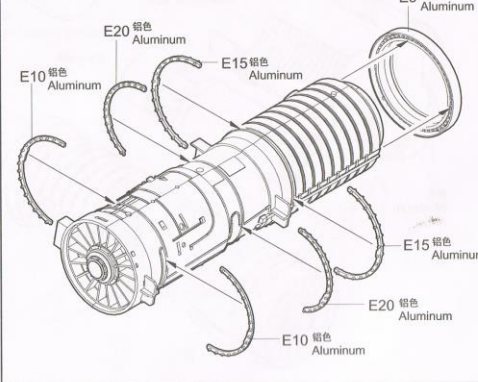
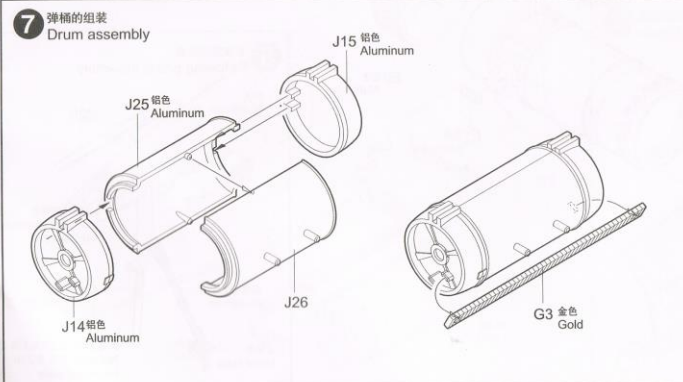
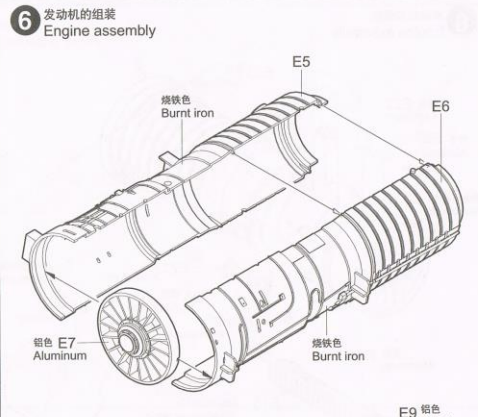
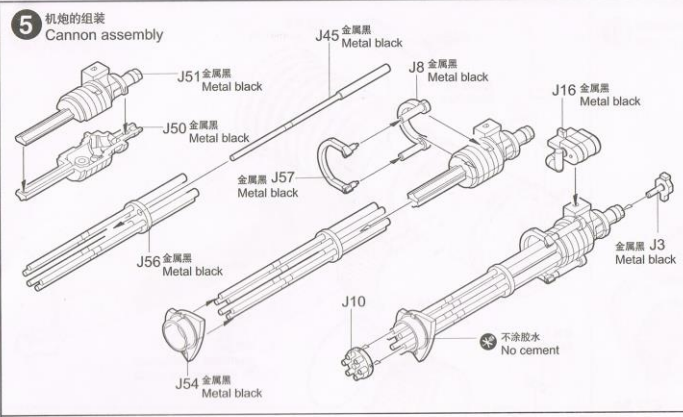
消光黑 Flat black

细节白色 white details

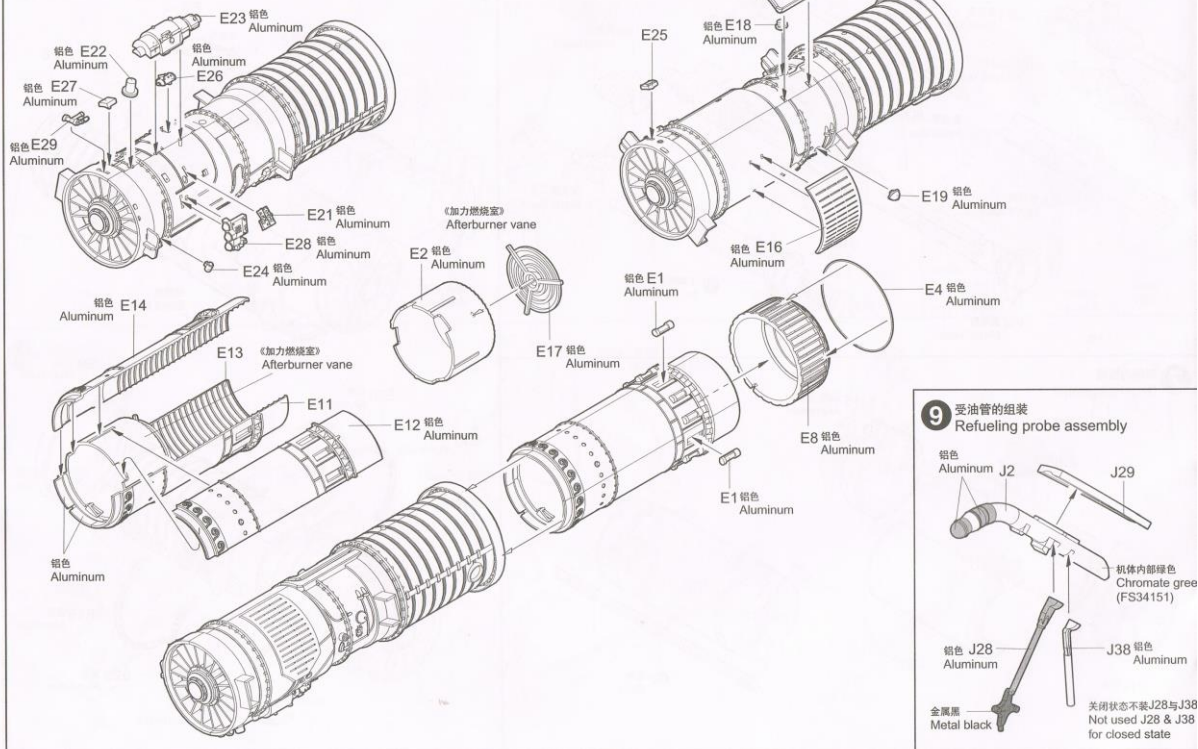
消光黑 Flat black

02202

4



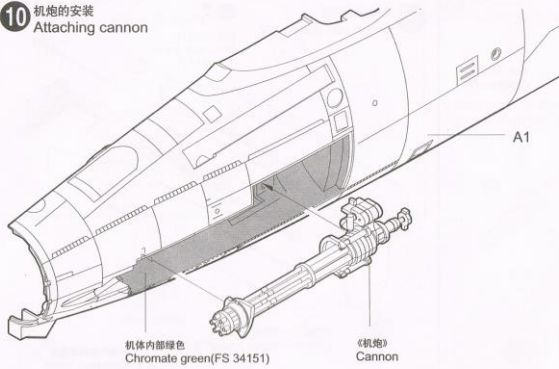
8 发动机的组装
Engine assembly



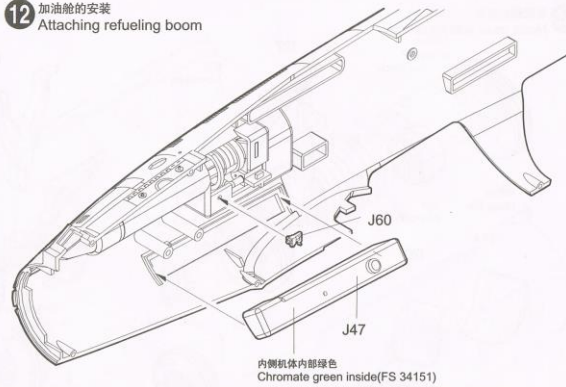
02202

6

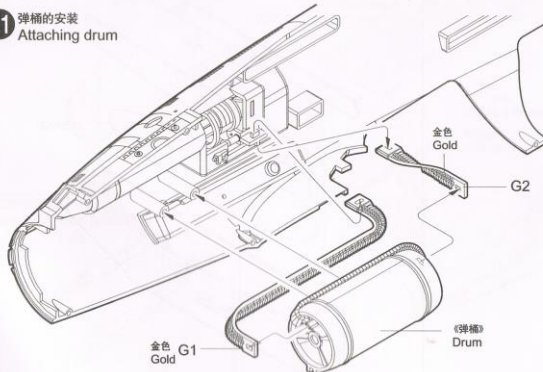
10 机炮的安装
Attaching cannon



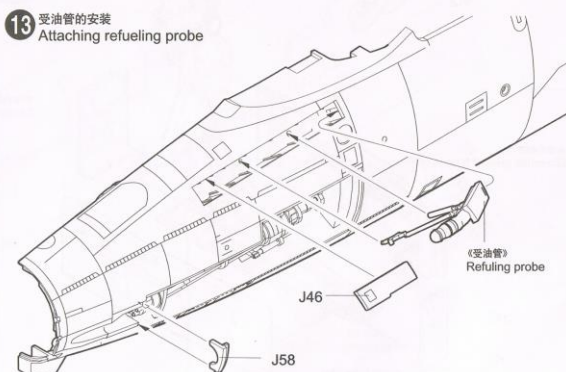
12 加油舱的安装
Attaching refueling boom



11 弹桶的安装
Attaching drum



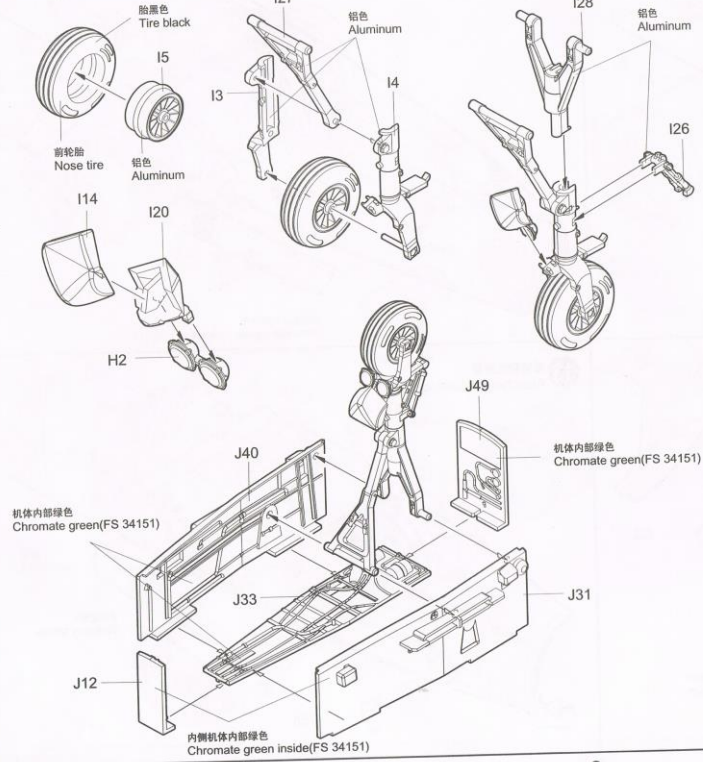
13 受油管的安装
Attaching refueling probe



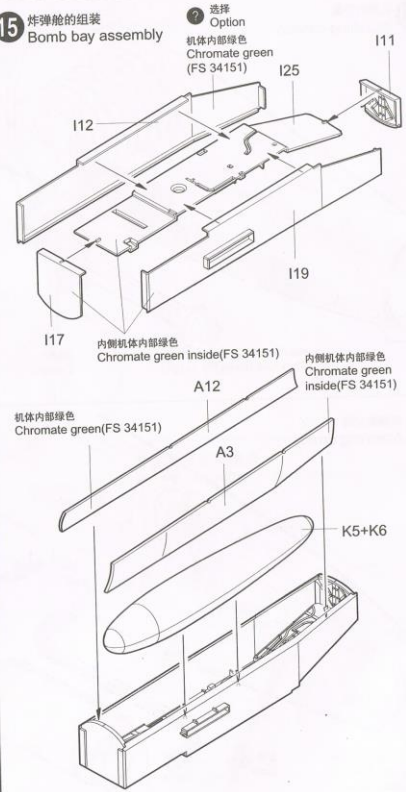
02202

7

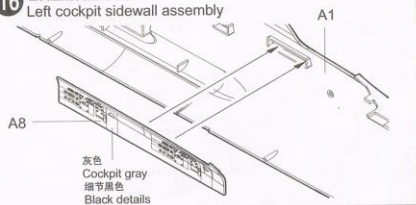
14 前轮舱的组装
Nose gear well assembly



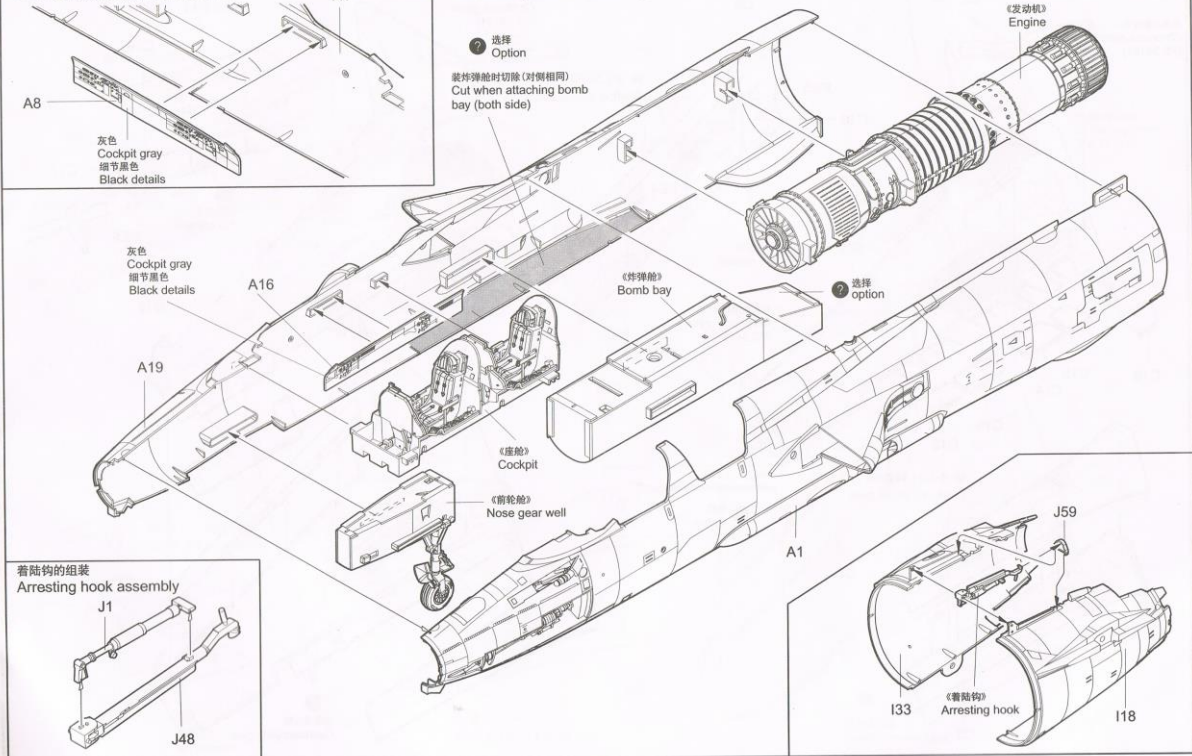
15 炸弹舱的组装
Bomb bay assembly



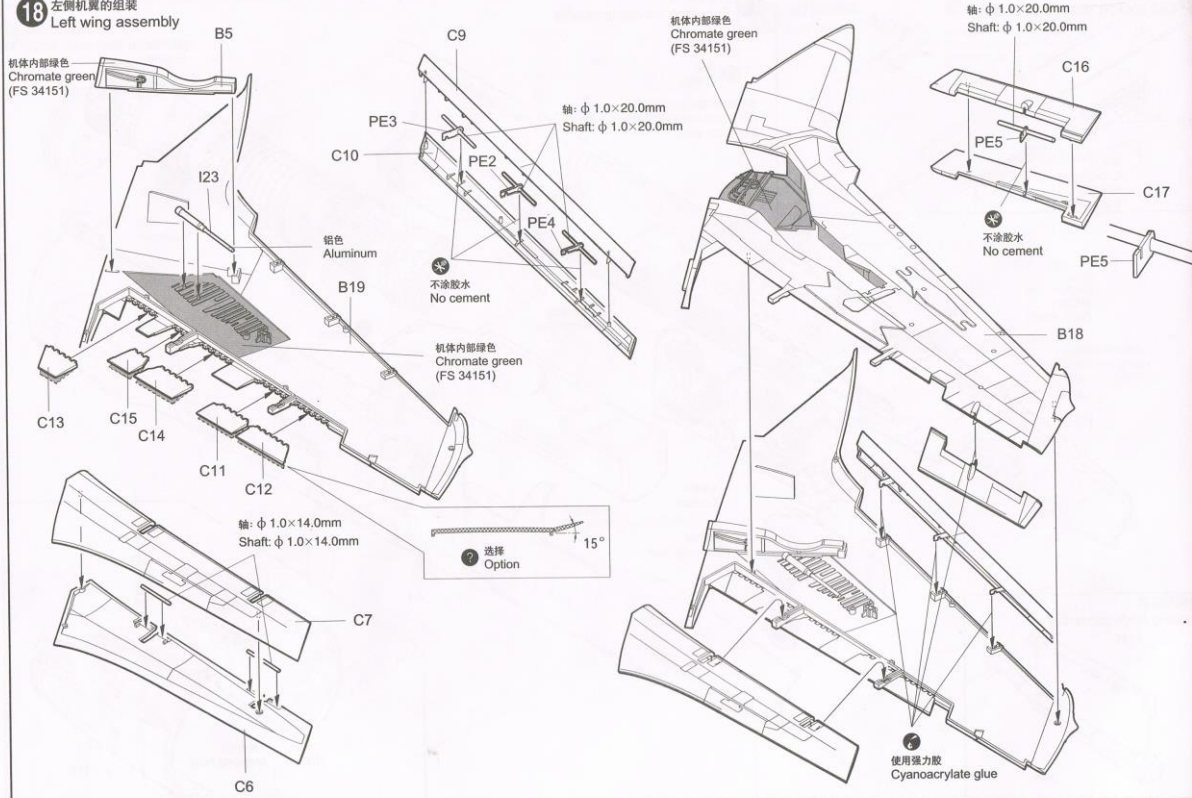
16 左侧座舱侧壁的组装
Left cockpit sidewall assembly



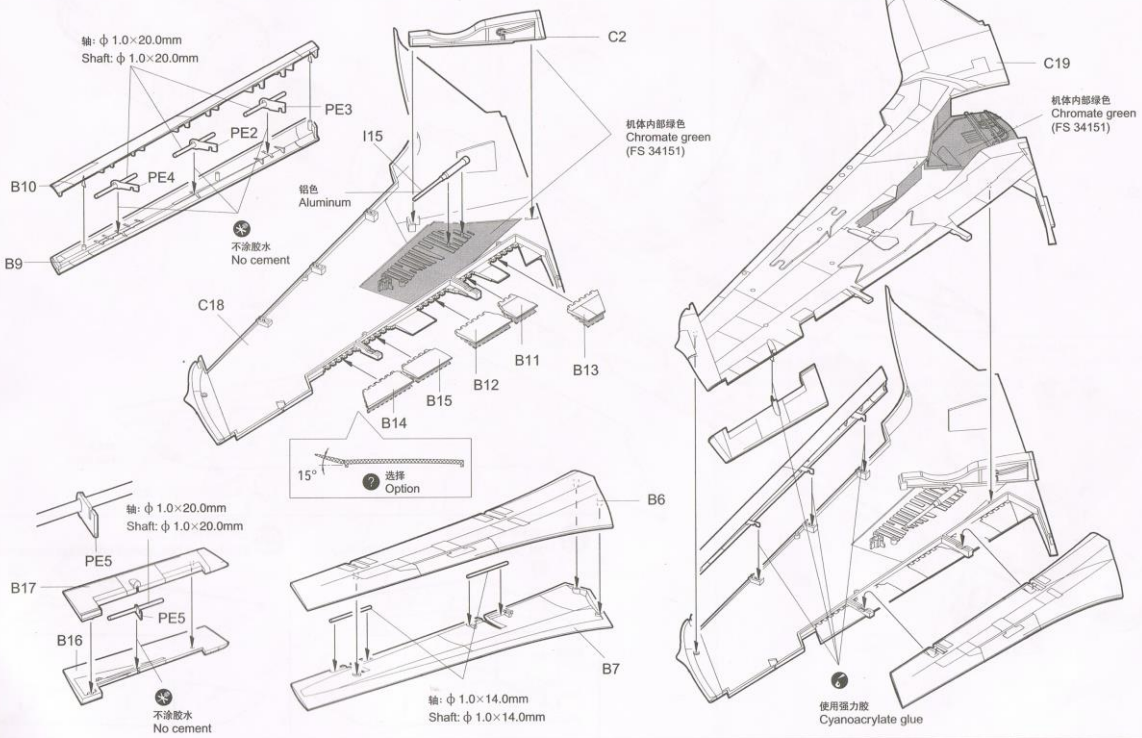
17 机身的组装
Fuselage halves assembly



18 左侧机翼的组装
Left wing assembly



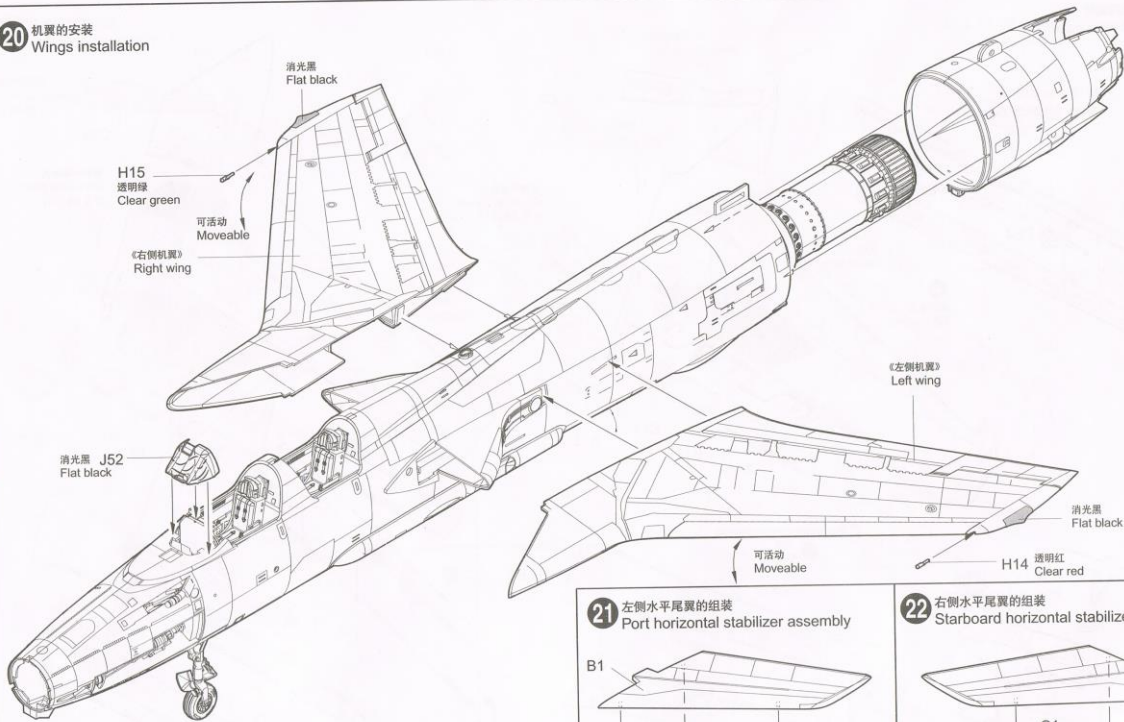
19 右主翼的组装
Right wing assembly



02202

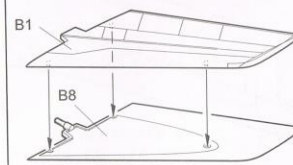
11

20 机翼的安装
Wings installation



02202

21 左侧水平尾翼的组装
Port horizontal stabilizer assembly

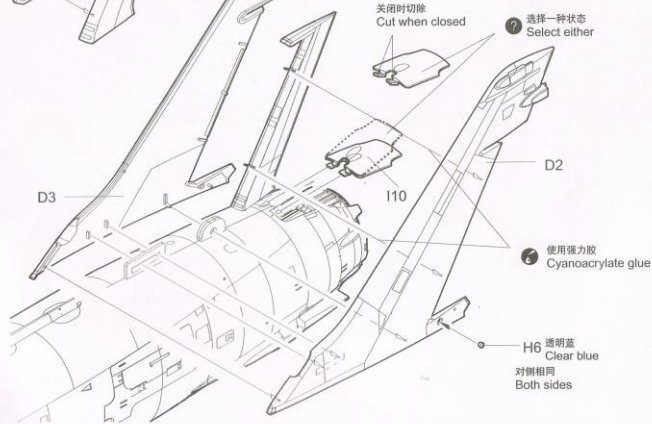
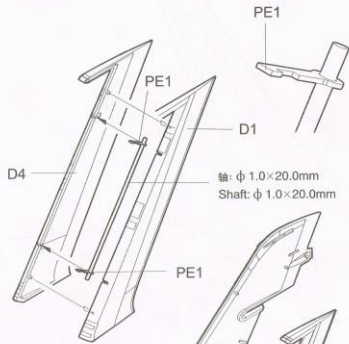


22 右侧水平尾翼的组装
Starboard horizontal stabilizer assembly



12

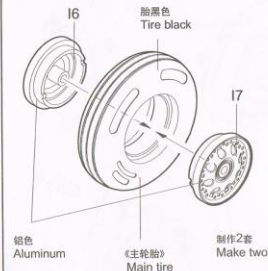
23 垂尾的安装
Vertical stabilizer installation



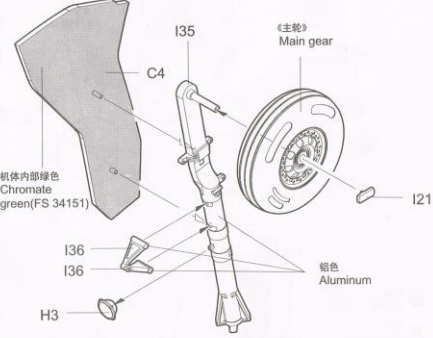
02202

13

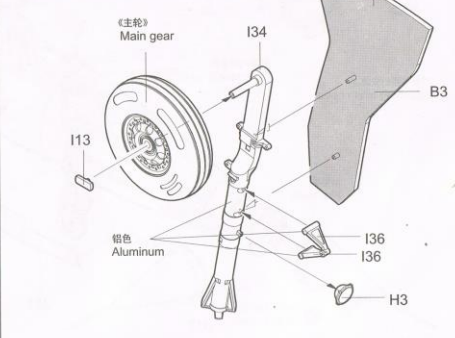
24 主轮的组装
Main gear assembly



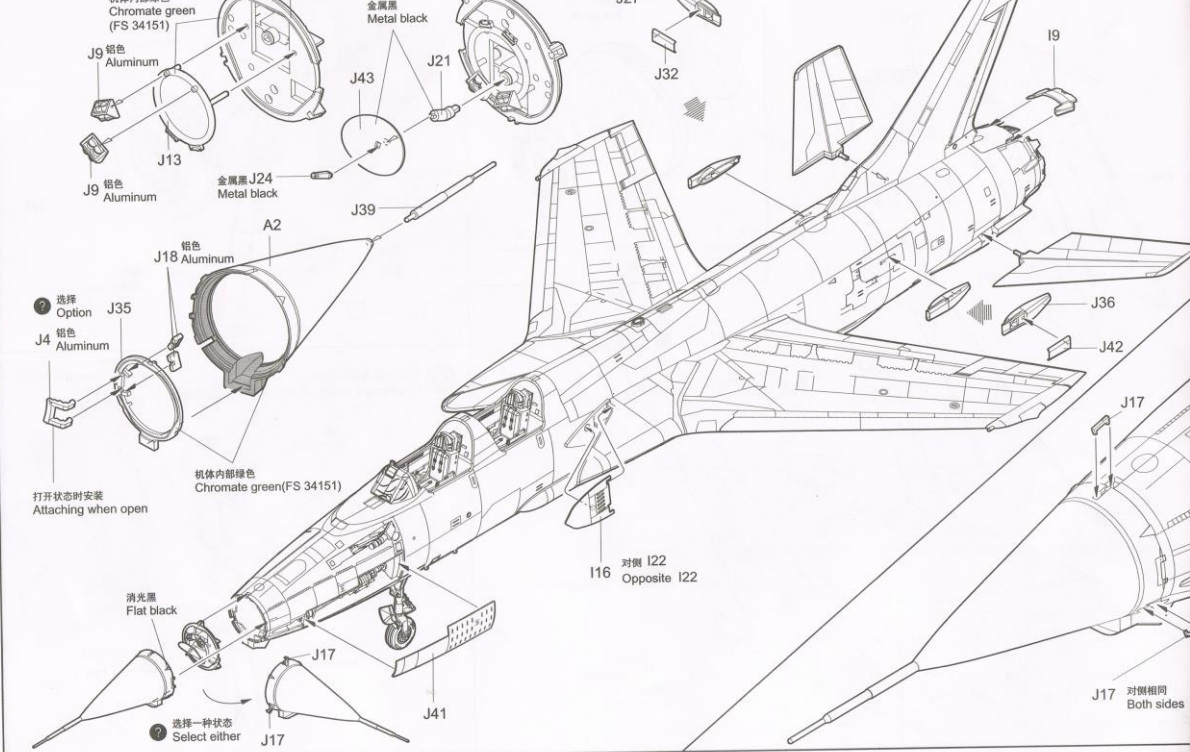
25 左侧主起落架的组装
Port main undercarriage assembly



26 右侧主起落架的组装
Starboard main undercarriage assembly



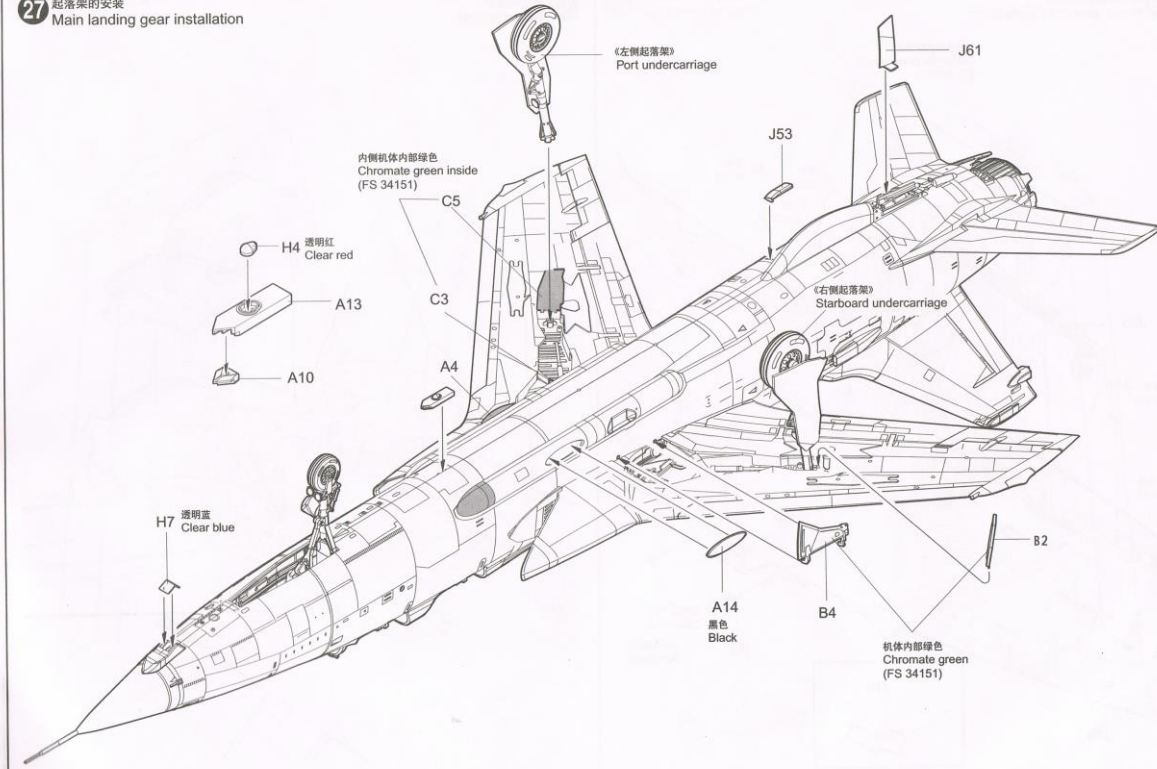
27 机首雷达的安装
Nosecone radar installation



02202

14

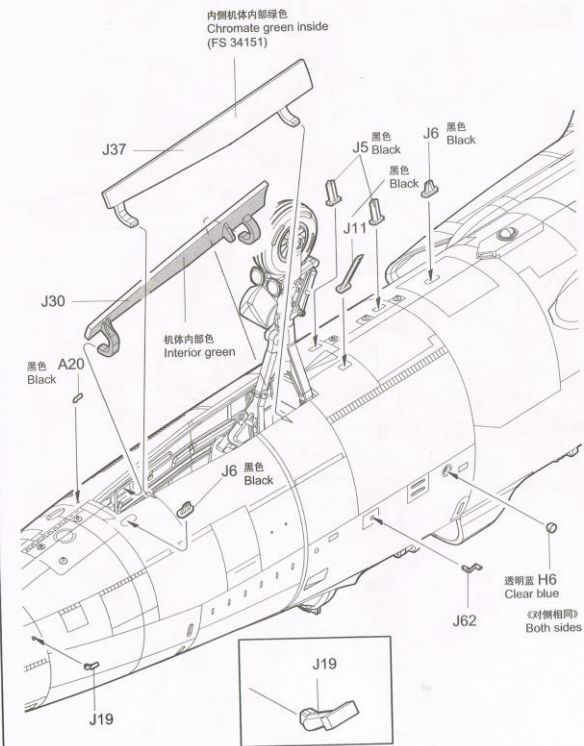
27 起落架的安装
Main landing gear installation



02202

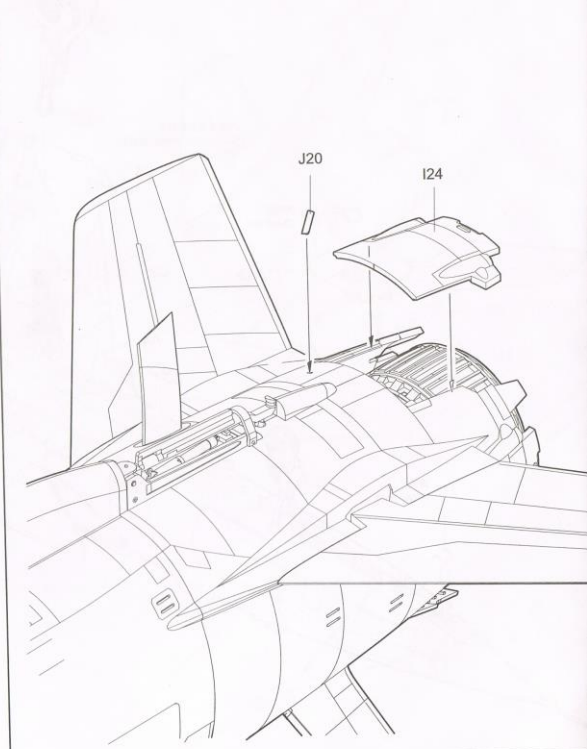
15

29 前舱盖板的安装
Nose gear door installation



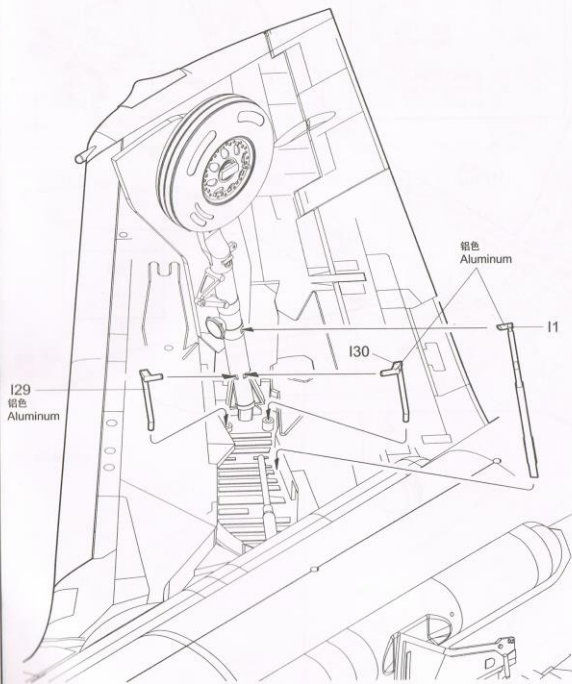
02202

30 尾部的组装
Tail assembly



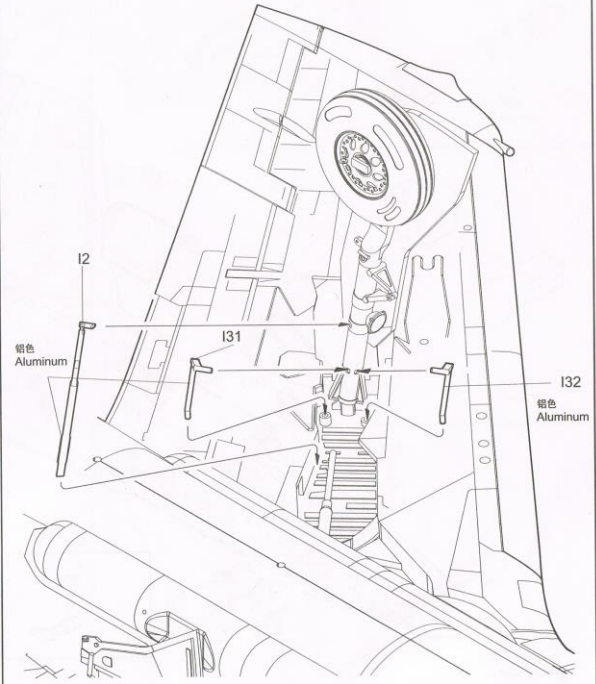
16

31 左侧机翼下部的安装
Left wing bottom



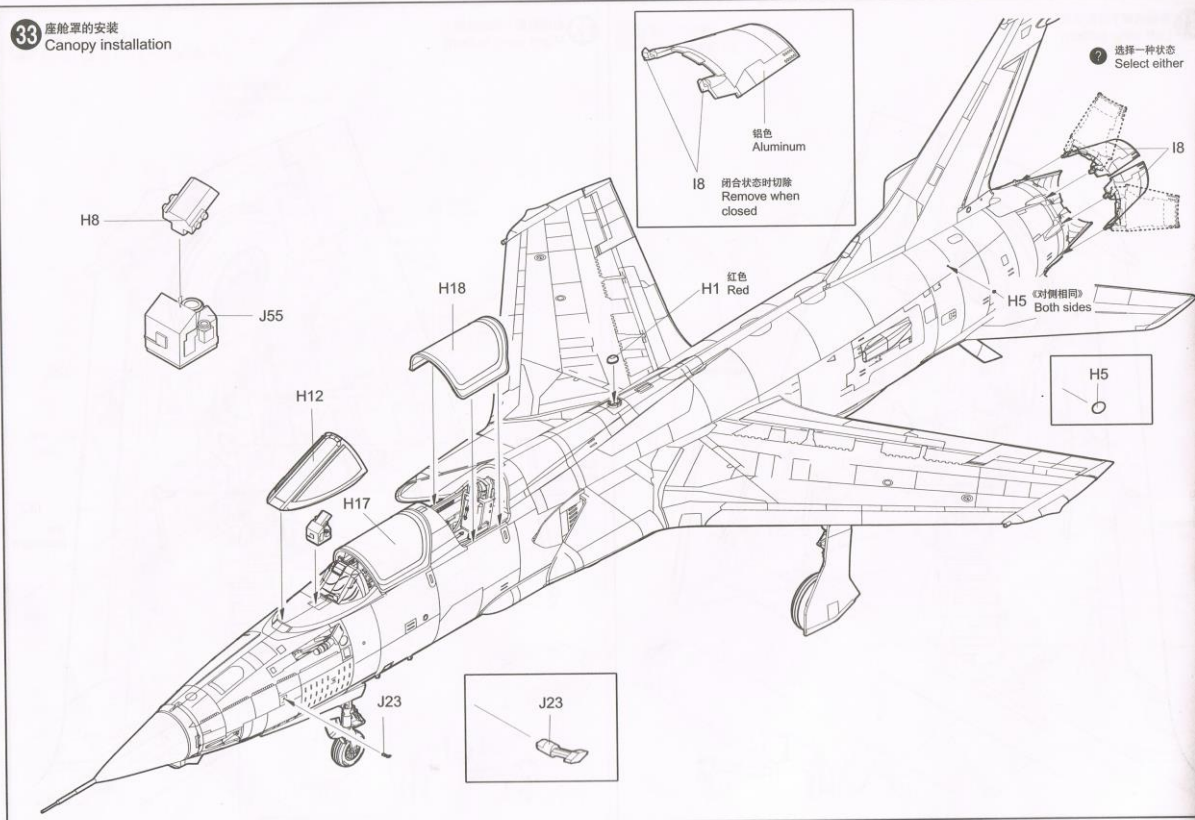
02202

32 右侧机翼下部的安装
Right wing bottom



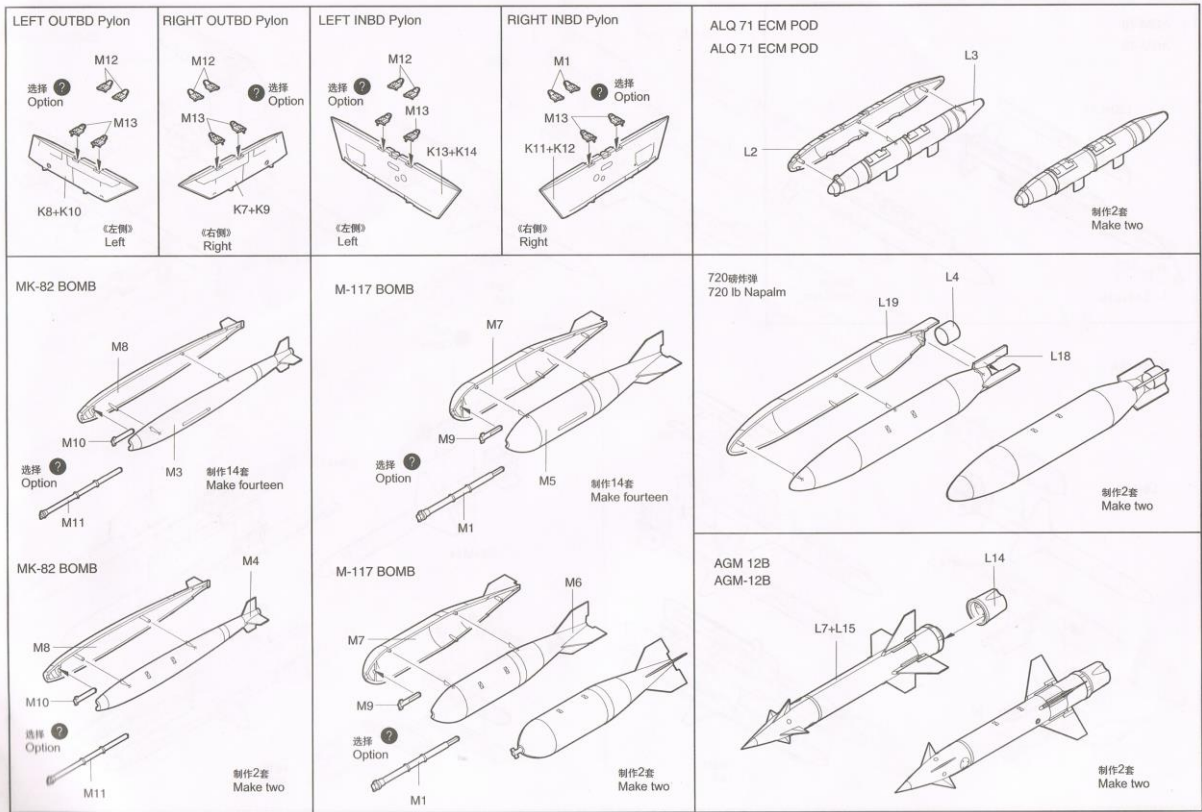
17

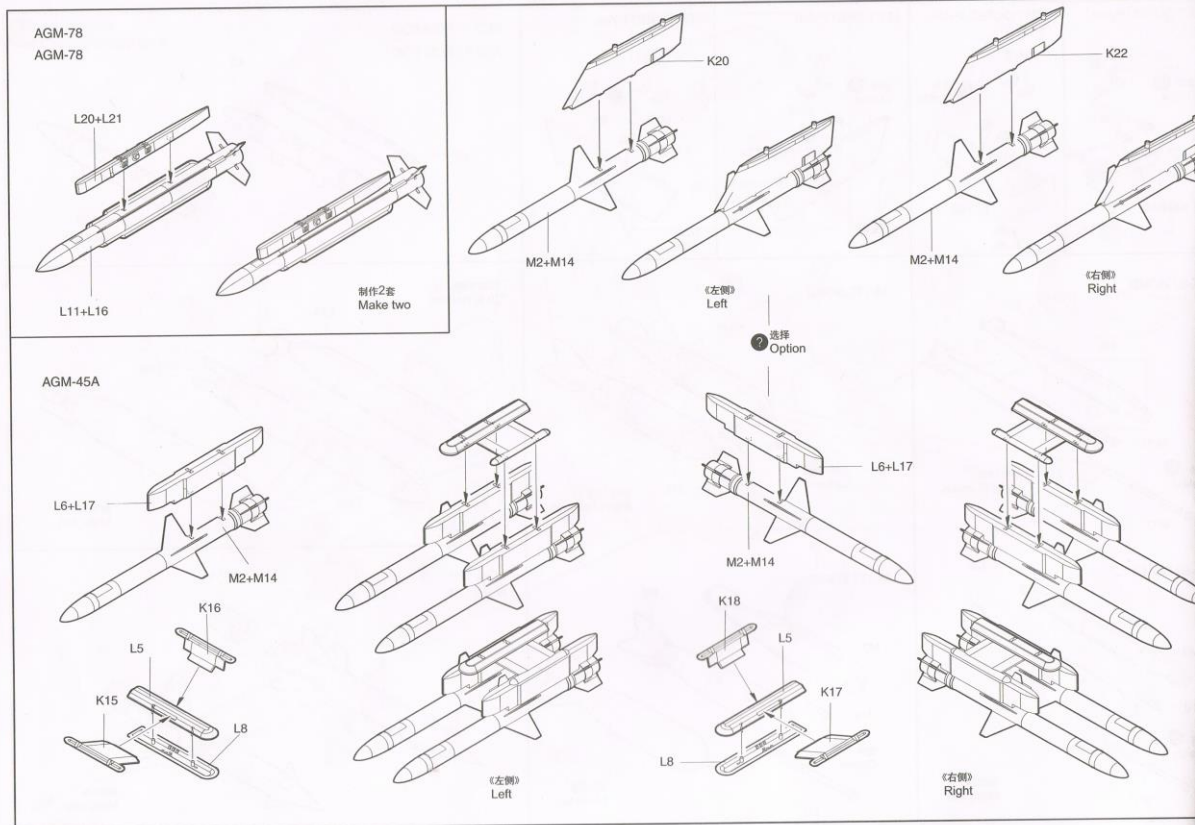
33 座舱罩的安装
Canopy installation



02202

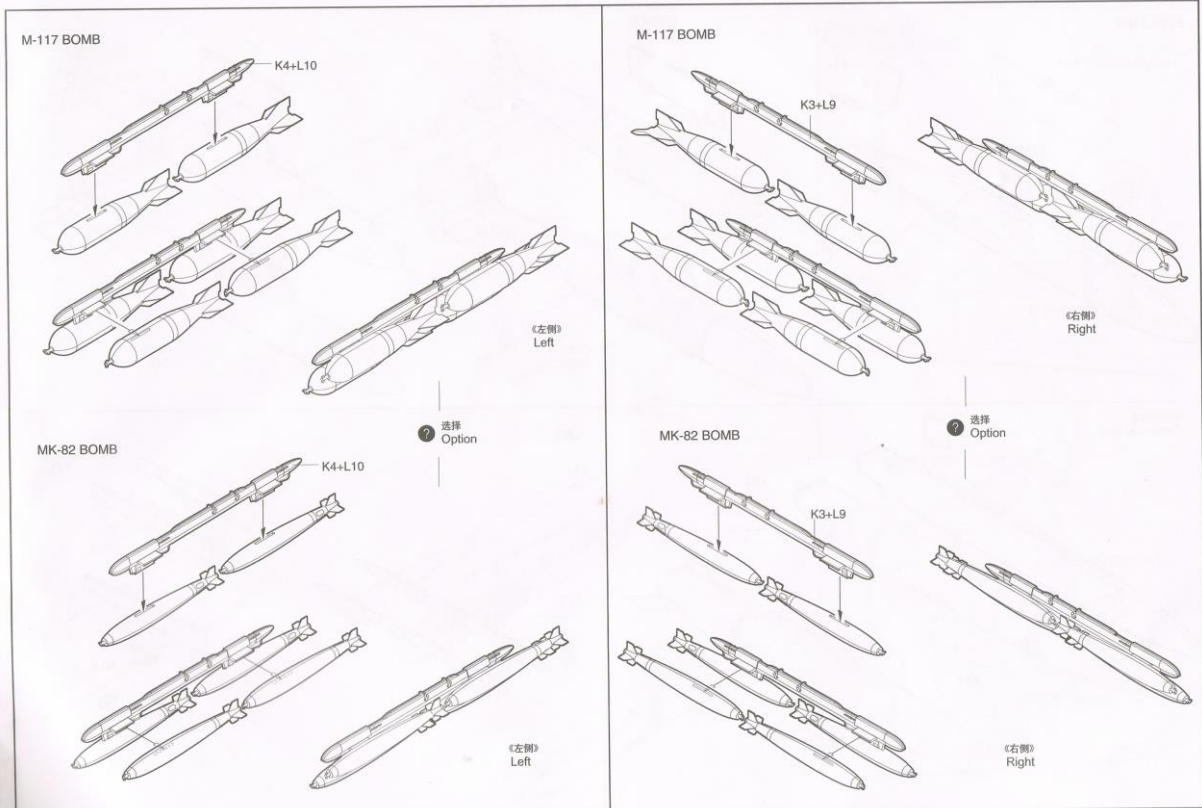
18





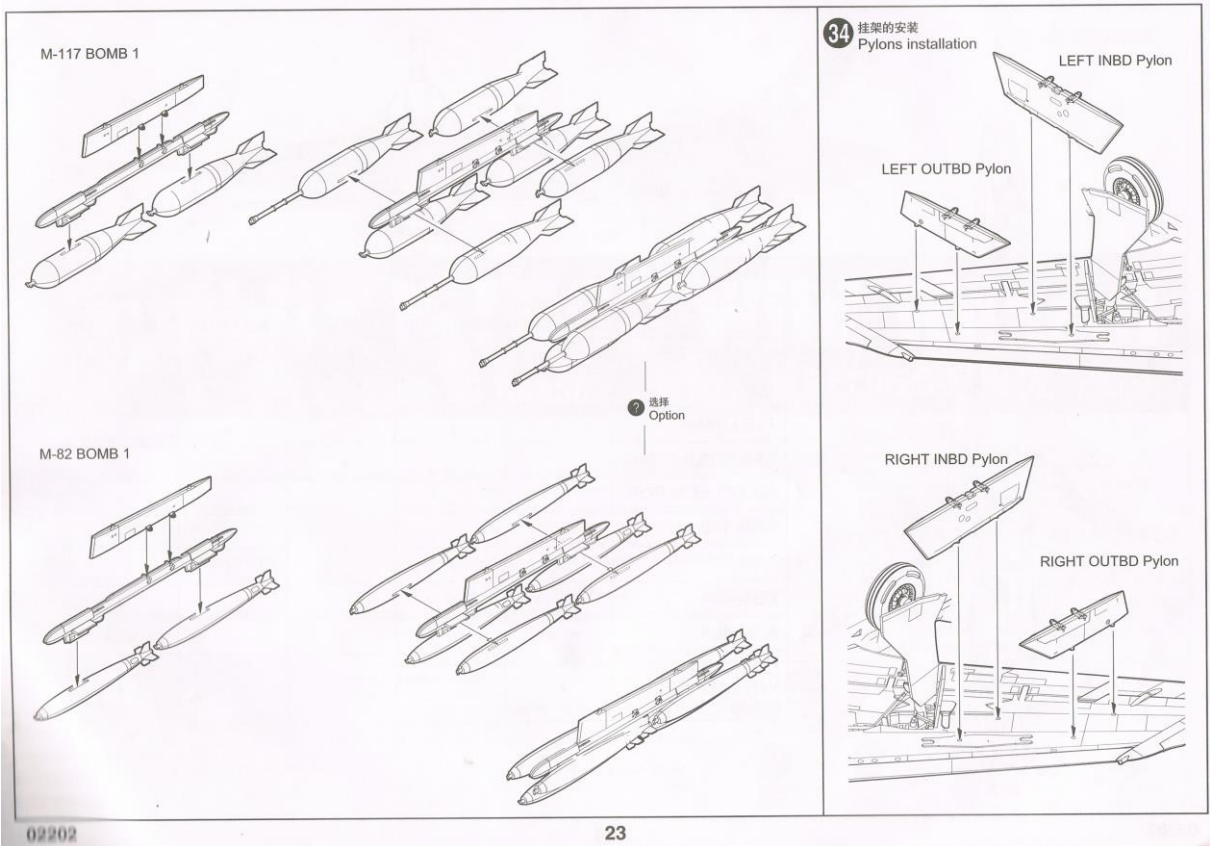
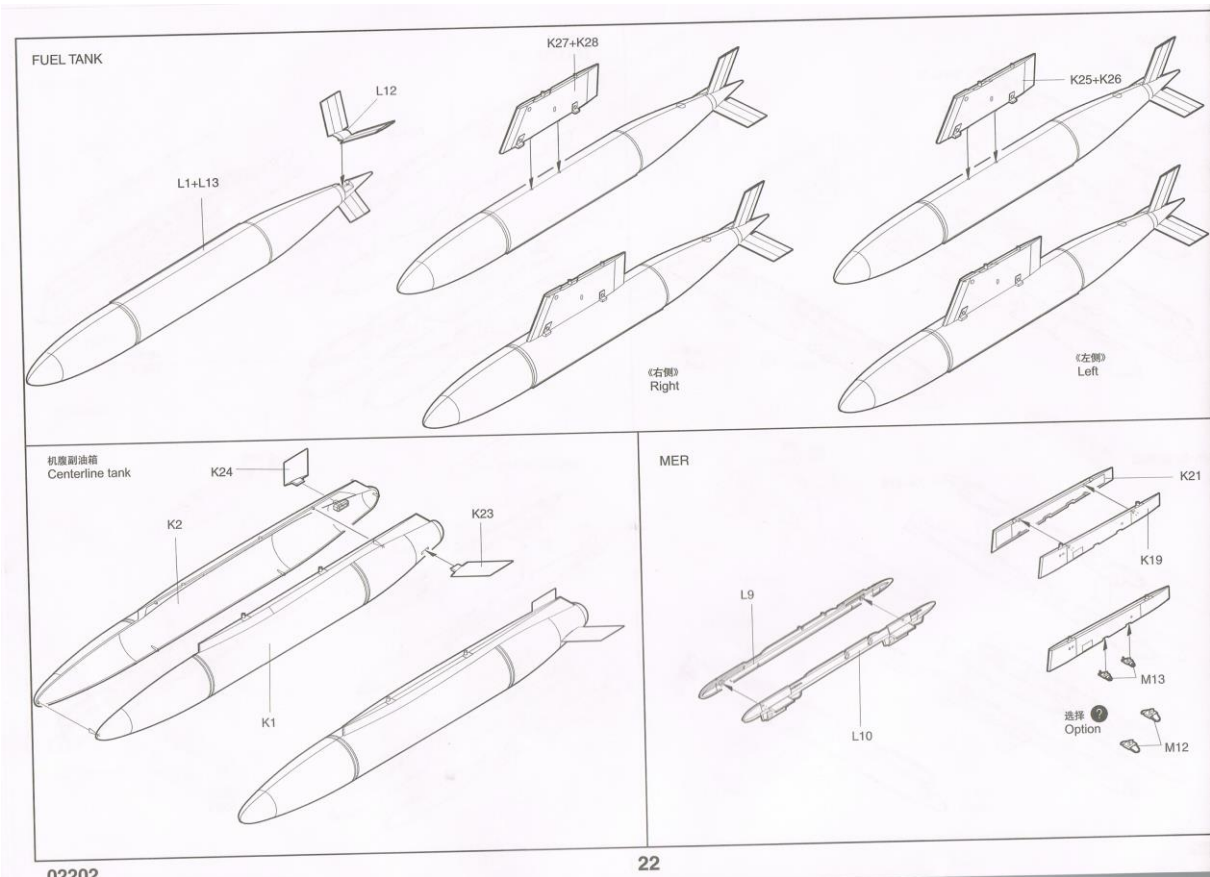
02202

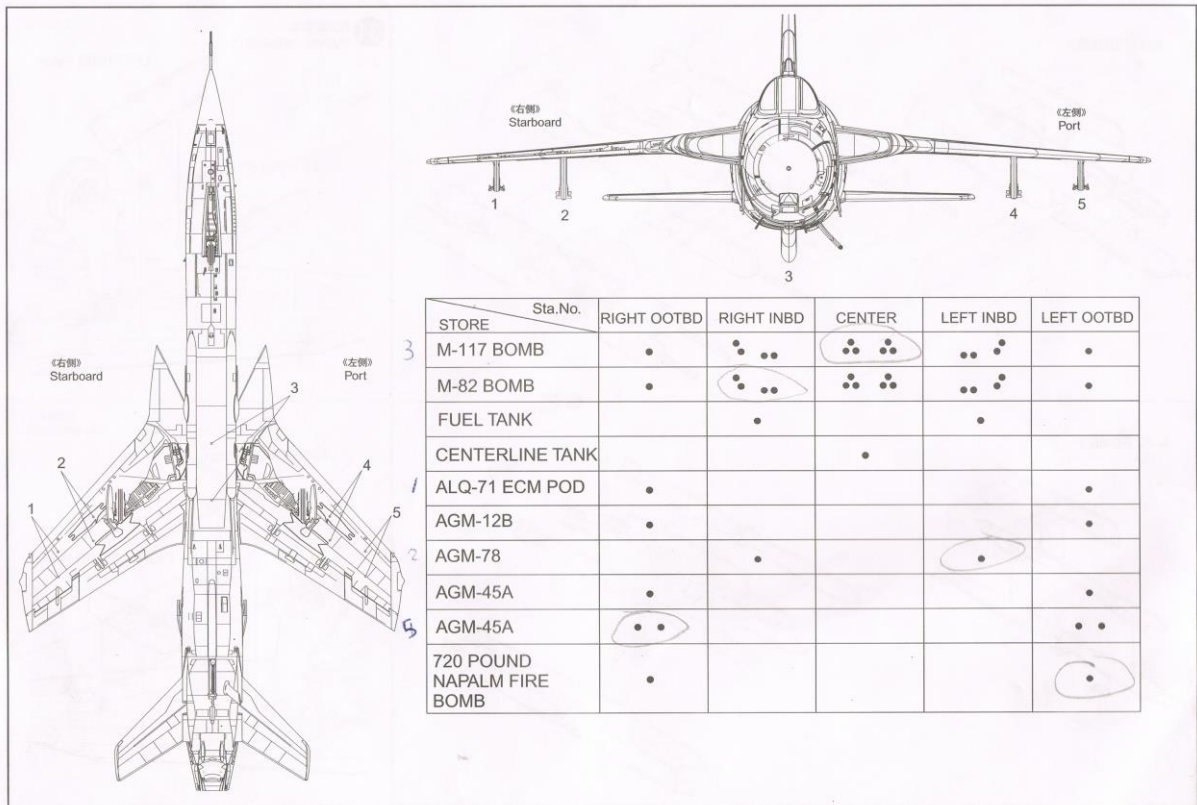
20



02202

21





02202

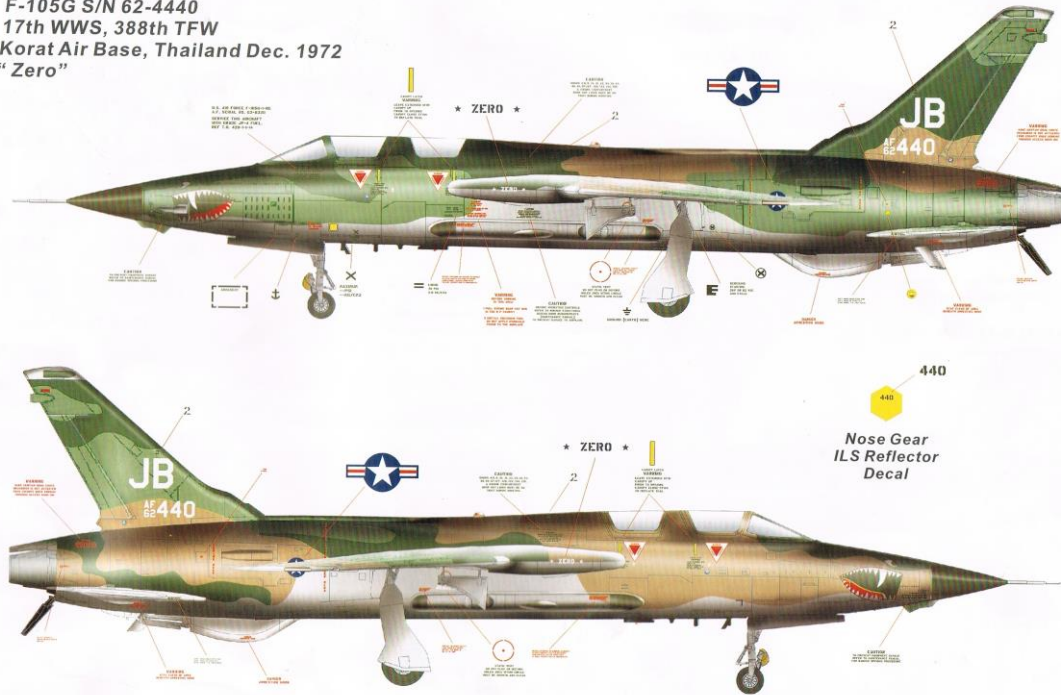
24

涂装同标贴指示
Painting & Marking guide

F-105G S/N 63-8320
561st TFS, 388th TFW
Korat Air Base, Thailand July 1972
"Bam Bam"



F-105G S/N 62-4440
 17th WWS, 388th TFW
 Korat Air Base, Thailand Dec. 1972
 "Zero"



440
 440
 Nose Gear
 ILS Reflector
 Decal

02202

1

1/32 Republic F-105G Wild Weasel



