

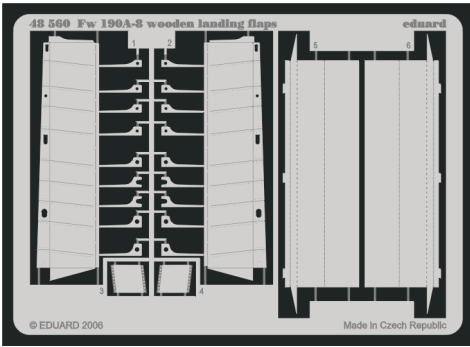










Fw 190A-8 wooden landing flaps

eduard

48 560

1/48 scale detail set for **EDUARD** kit • sada detailů pro model 1/48 **EDUARD**



-  APPLY EXPRESS MASK AND PAINT BEFORE GLUING
POUŽÍTE EXPRESNÍ MASKU A NABARVIT PŘED SLEPENÍM
-  SYMMETRICAL ASSEMBLY
SYMETRICKÁ MONTÁŽ
-  REMOVE
ODSTRANIT
-  GRIND
OBROUSIT
-  DRILL HOLE
VRTAT OTVOR
-  BEND
OHNOUT
-  OPTION
VOLBA
-  REPLACE
NAHRADIT

 ORIGINAL KIT PARTS
 PŮVODNÍ DÍLY STAVEBNICE

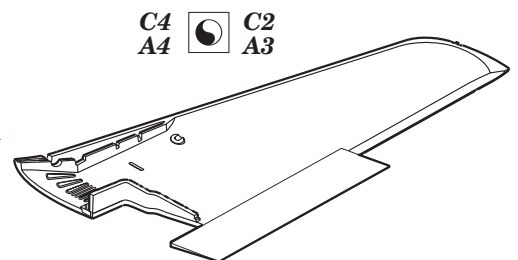
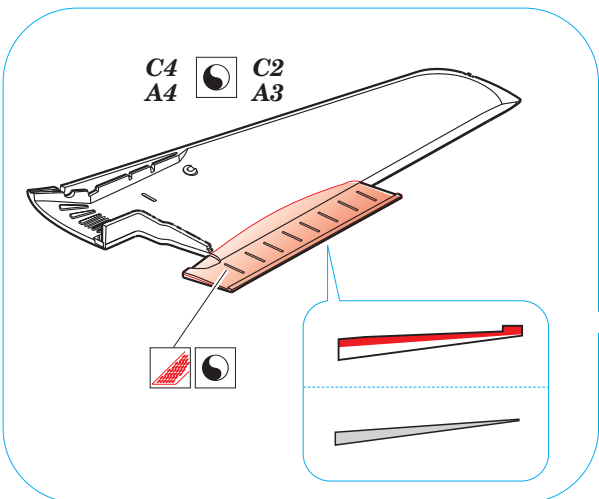
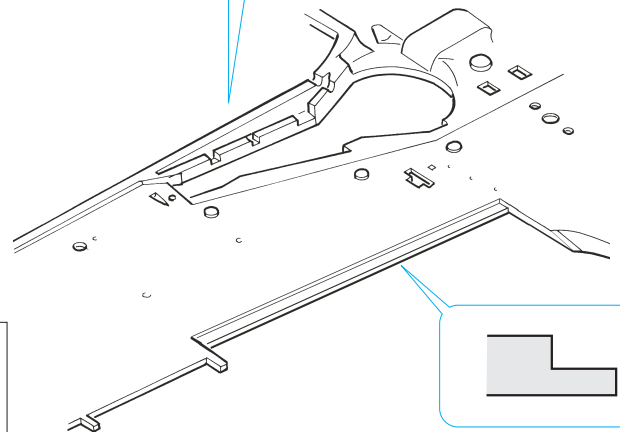
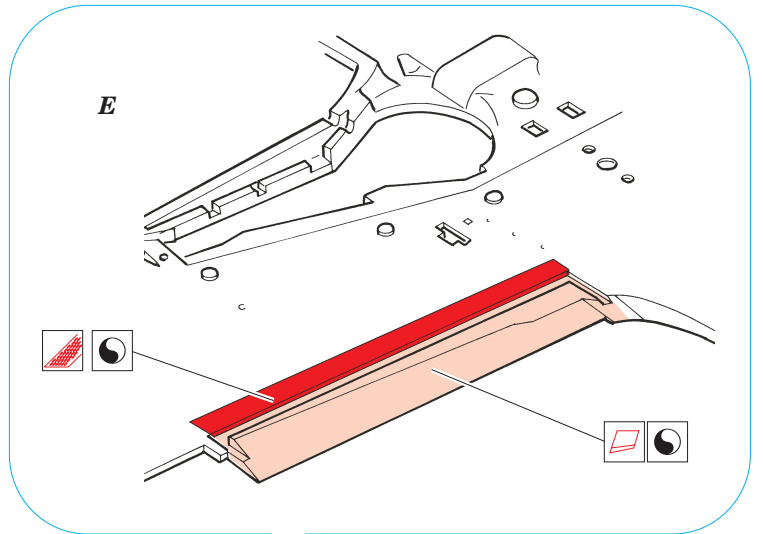
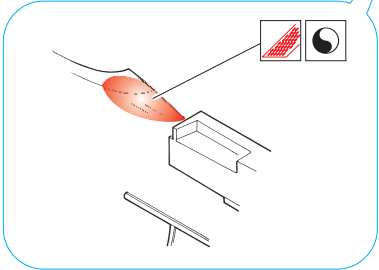
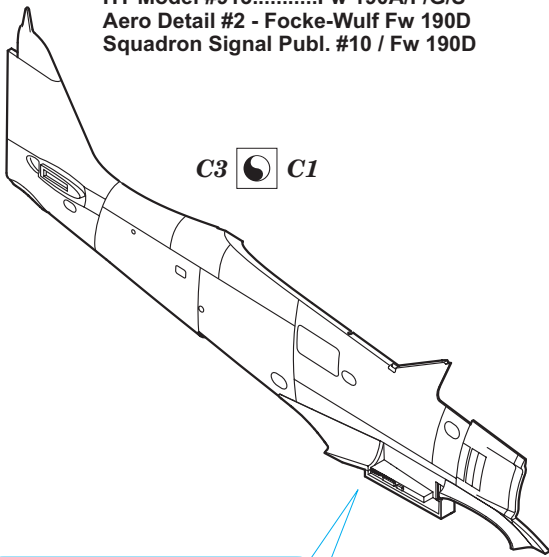
 PHOTO-ETCHED PARTS
 LEPTANÉ DÍLY

 PARTS TO BE REMOVED
 DÍLY K ODSTRANĚNÍ

 FILL
 TMELIT

REFERENCES:

HT Model #913.....Fw 190A/F/G/S
 Aero Detail #2 - Focke-Wulf Fw 190D
 Squadron Signal Publ. #10 / Fw 190D



HOW TO MAKE THE RELIEF ON OPPOSITE - REVERSE - OF THE PLATE

1 st

2 nd

wood

3 4

3 4

3 4

1 2

115 114

C4 A4

C2 A3

Detailed description: This section contains several diagrams. At the top left, two diagrams show a wooden stick being used to create a relief on the reverse side of a plate. The first diagram shows the stick on a flat surface, and the second shows it on a surface with a raised relief. To the right, a larger diagram shows a long, narrow component with a series of rectangular indentations. A small square icon with a crescent and a circle is labeled '1' and '2'. Below this, a callout box shows a 3D perspective of the component with a small vertical post being inserted into one of the indentations. In the center, a diagram shows a rectangular component being attached to a larger, more complex structure. A red component is shown in a callout box labeled '2 nd', with a small square icon labeled '1' and '2'. To the right, a diagram shows a blue rectangular component being attached to a larger structure. A small square icon with a crescent and a circle is labeled 'C4 A4' and 'C2 A3'.

1.)

2.)

Detailed description: Two diagrams showing the correct way to bend a wire or rod. Diagram 1 shows a wire being bent at an angle, with a dashed line indicating the intended path. Diagram 2 shows a wire being bent at a different angle, also with a dashed line indicating the intended path. Arrows indicate the direction of the bend.

5 6

5 (6)

1

Detailed description: A large diagram showing the assembly of a component into a larger structure. A long, narrow component is being inserted into a slot in a larger, more complex structure. A small square icon with a crescent and a circle is labeled '5' and '6'. A callout box shows a close-up of the connection, with a small square icon labeled '5 (6)' and '1'.