



SHORT HAULER

FORD LOUISVILLE LINE TRUCK

WITH BODY BY TRAILMOBILE

READ THIS BEFORE YOU BEGIN

Look over this instruction sheet carefully before you begin building. Follow the assembly instructions and "test-fit" the parts without cementing. This will familiarize you with the location of the parts.

For the best results, the various sub-assemblies and components should be painted before any "chrome" parts are attached. For example: When attaching "non-chrome" body accessories, it is best to cement them in place and paint the body as a unit.

AMT® kits are molded from the finest High-Impact Styrene plastic. Use

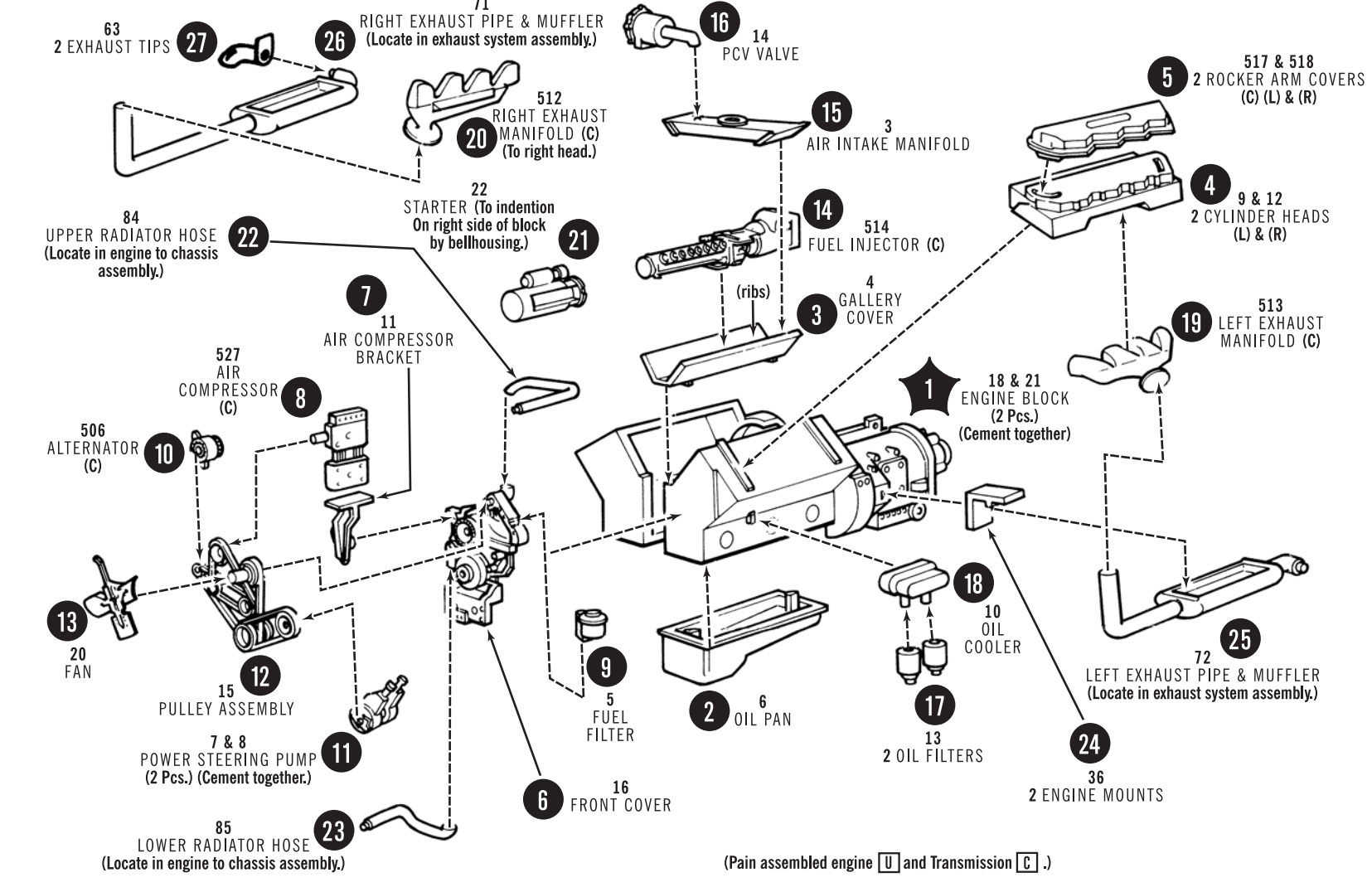
only paint and cement made for Styrene. Trim excess plastic from parts before joining. When attaching "chrome" parts, scrape plating away where parts are to be joined. Use just enough cement to join parts, and be careful not to smear cement on exposed surfaces.

Build according to the instructions on this sheet, you should have no trouble assembling your kit. Just FOLLOW THE NUMBERS, as parts are numbered in order of assembly. (C) INDICATES "CHROME" PARTS.

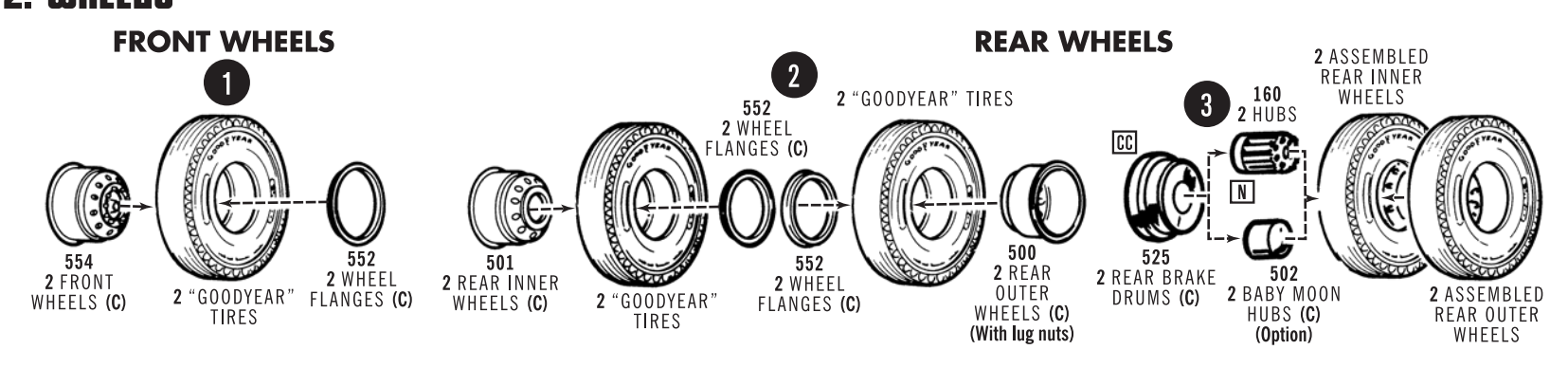
PAINT COLORS	
A	Black
B	Flat Black
C	Semi-Gloss Black
D	White
E	Flat White
F	Silver
G	Chrome (Bright Silver)
H	Aluminum
I	Brass
J	Gold
K	Amber
L	Transparent Amber
M	Red
N	Transparent Red
O	Orange
P	Yellow
Q	Tan
R	Brown
S	Light Blue
T	Medium Blue
U	Dark Blue
V	Transparent Blue
W	Light Green
X	Dark Green
Y	Gray
Z	Chassis Color
AA	Interior Color
AB	Body Color
AC	Semi-Gloss
AD	Gloss
AE	Metallic

Color combinations are endless. Standard was one color on cab and one on chassis. It is recommended that you search the internet for additional color references and details.

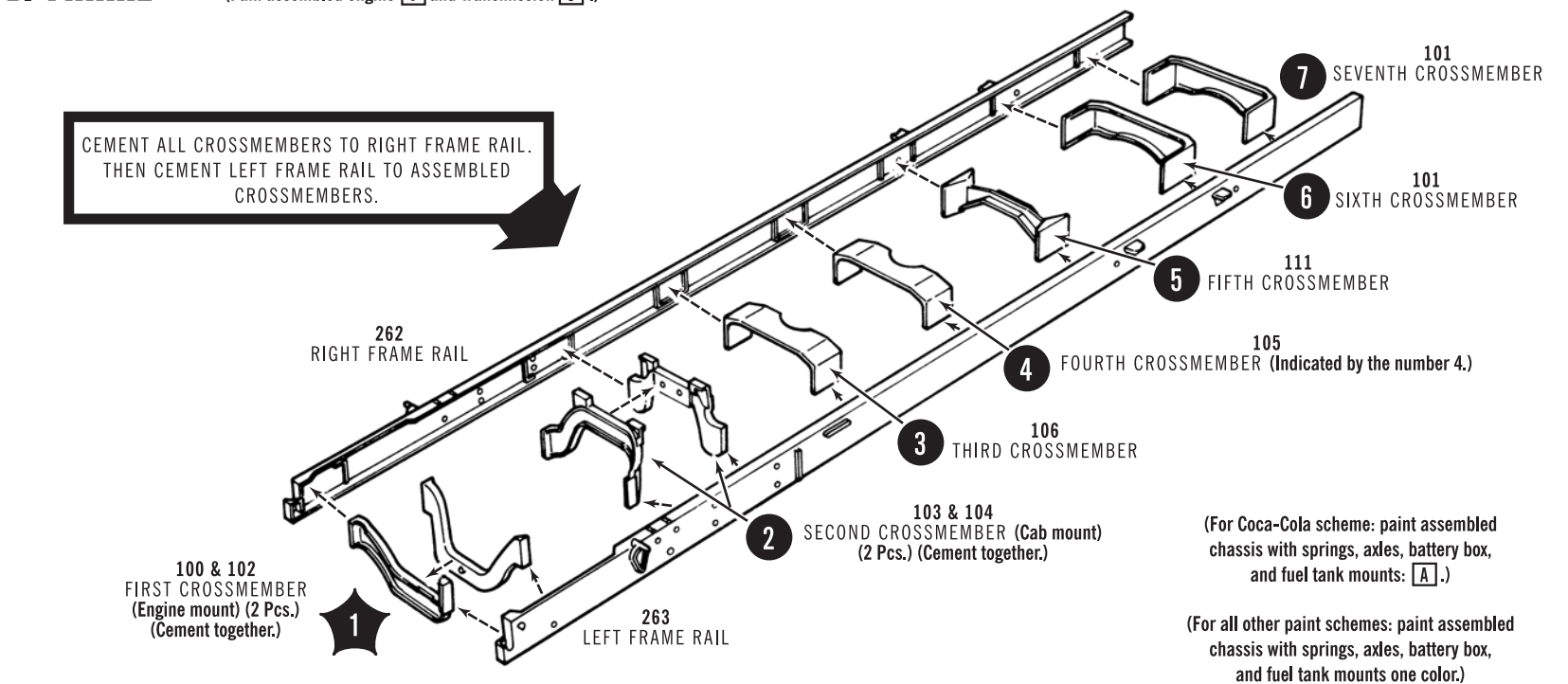
1. ENGINE



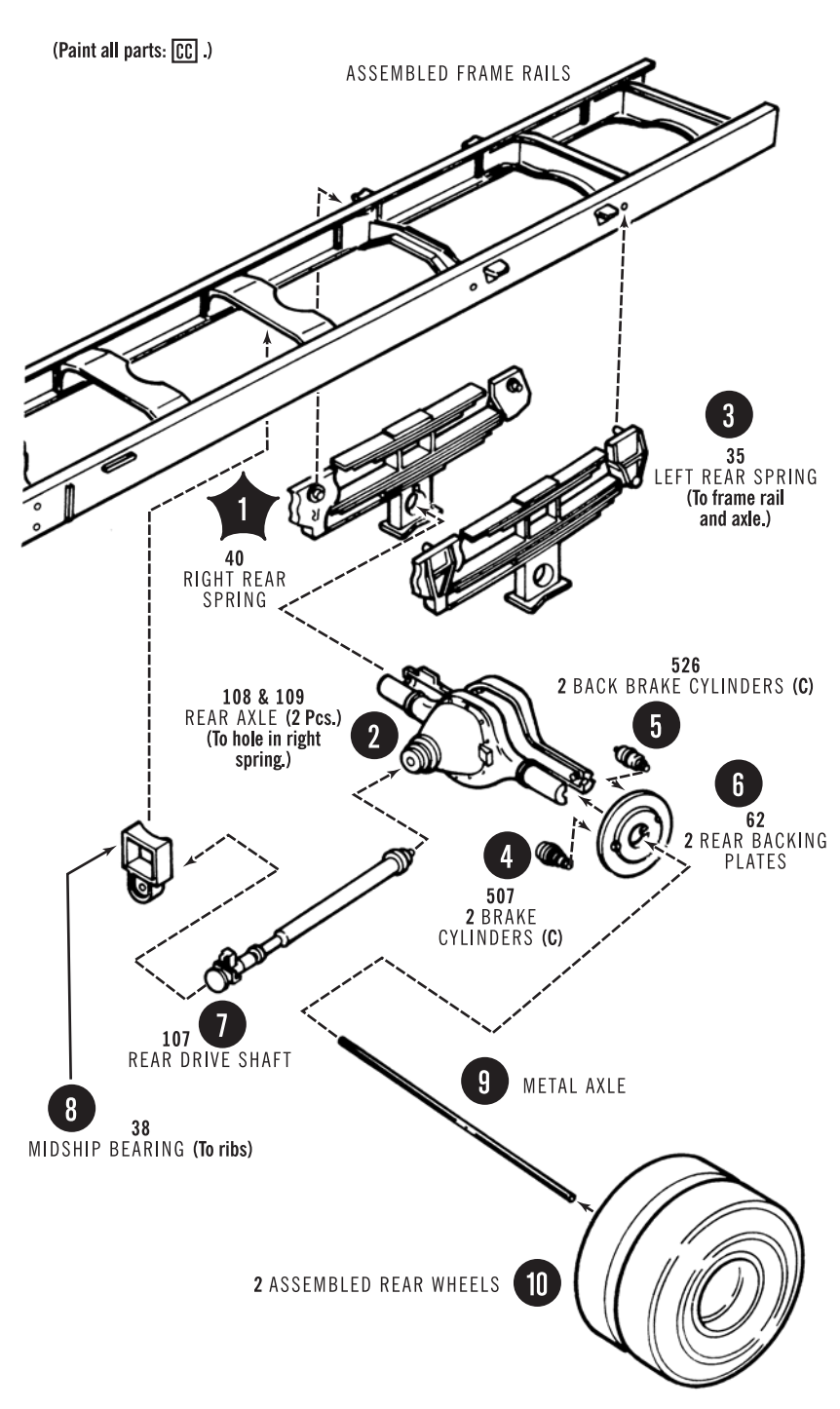
2. WHEELS



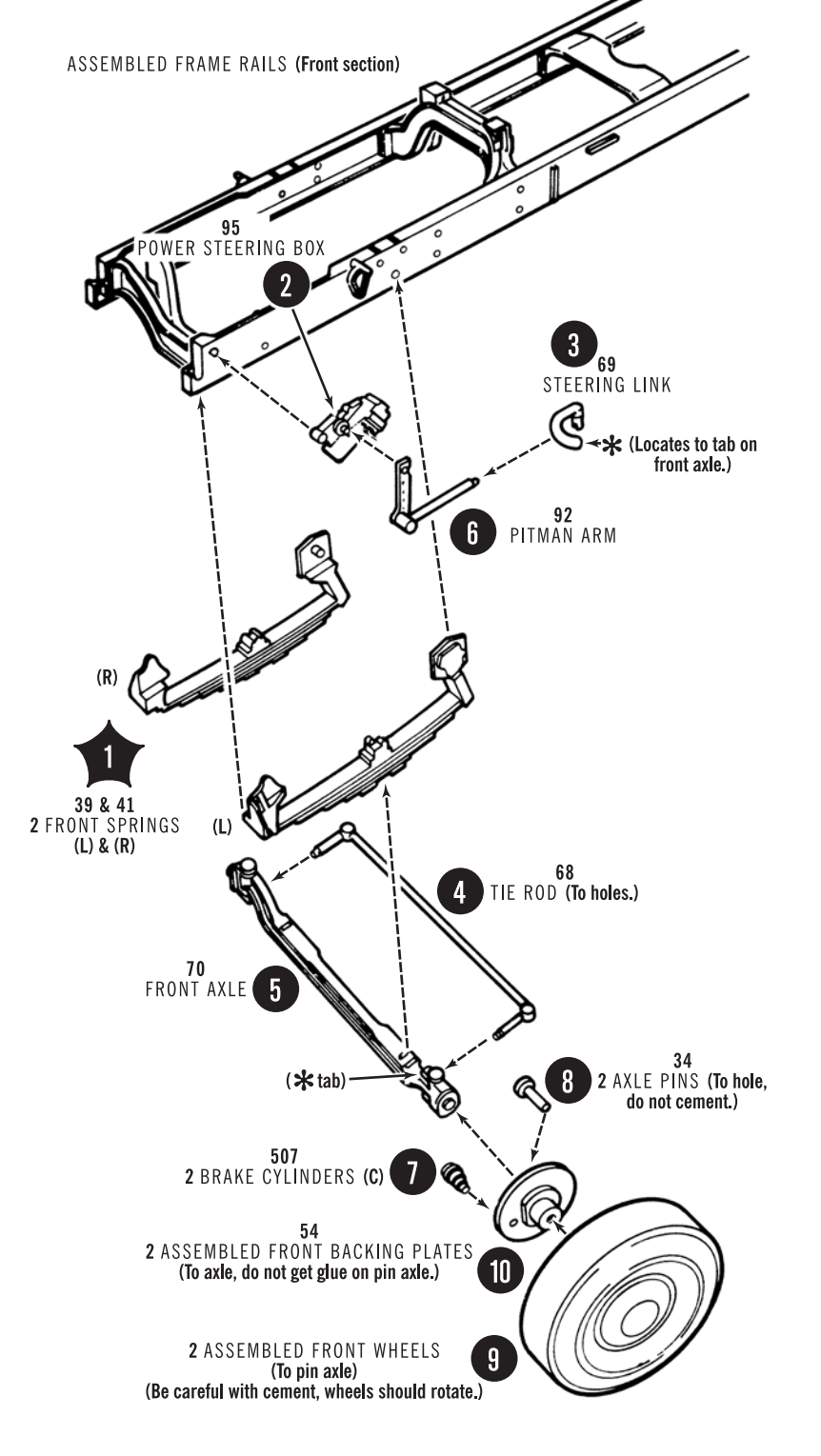
3. FRAME



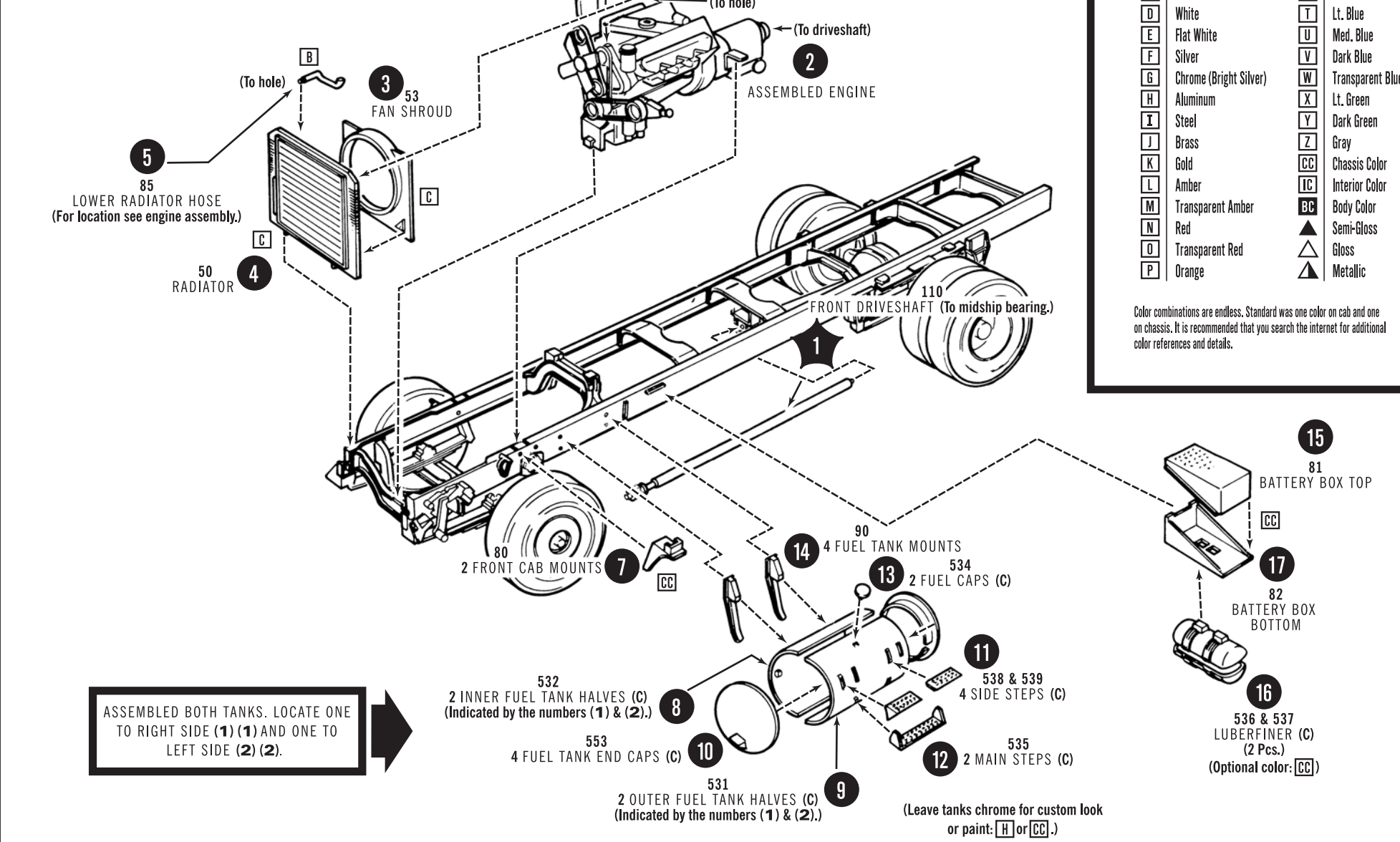
4. REAR AXLE



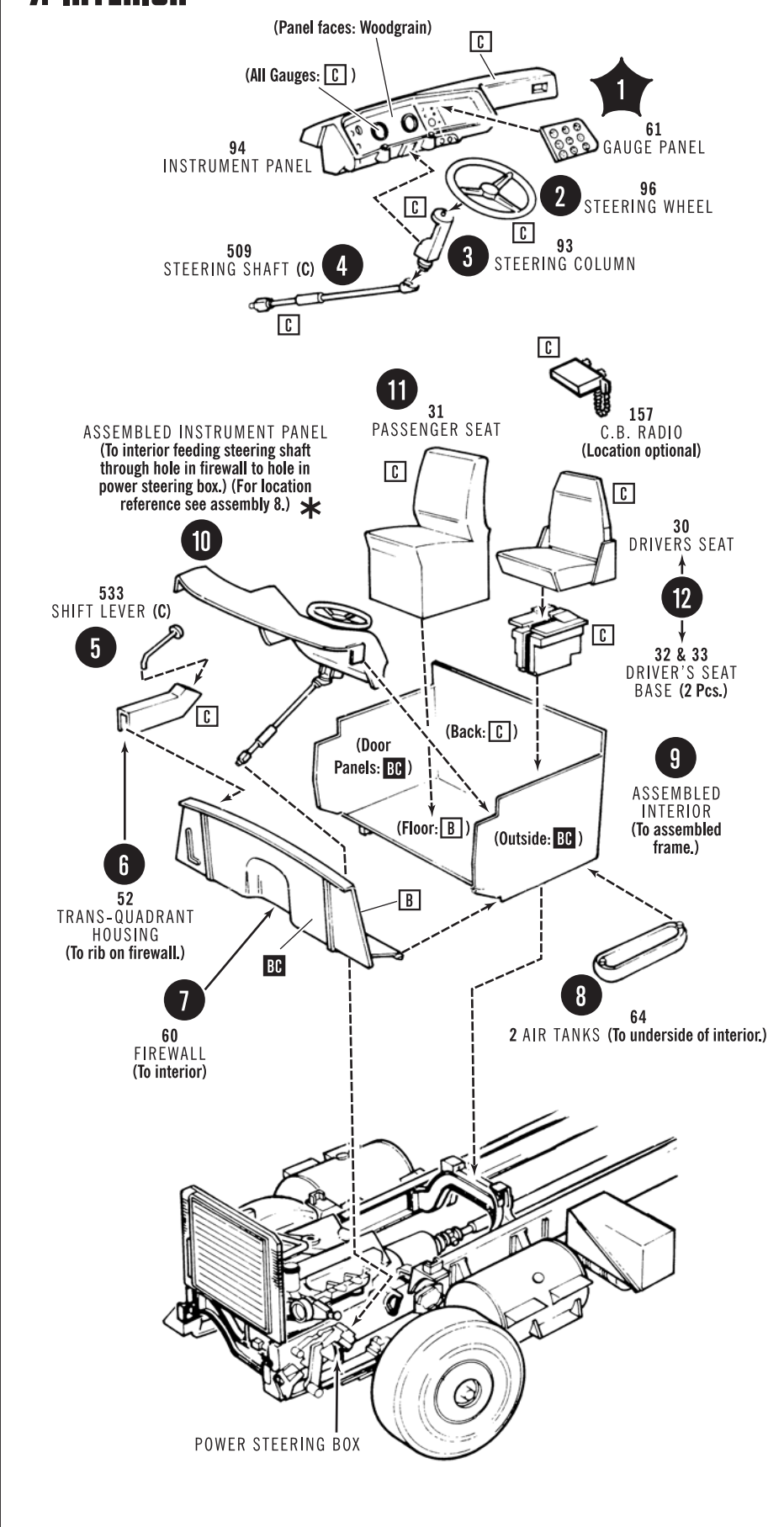
5. FRONT AXLE



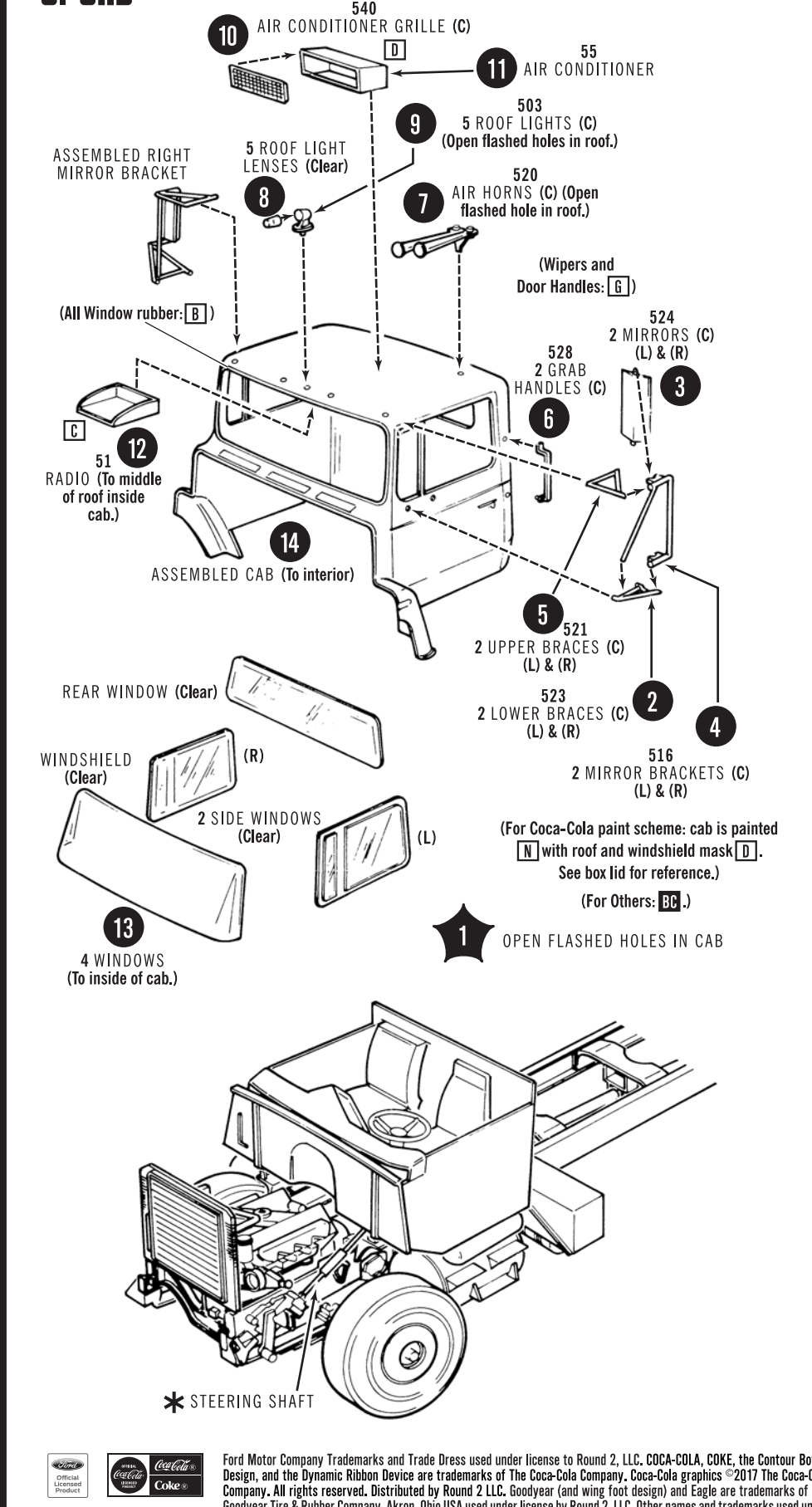
6. ENGINE TO CHASSIS



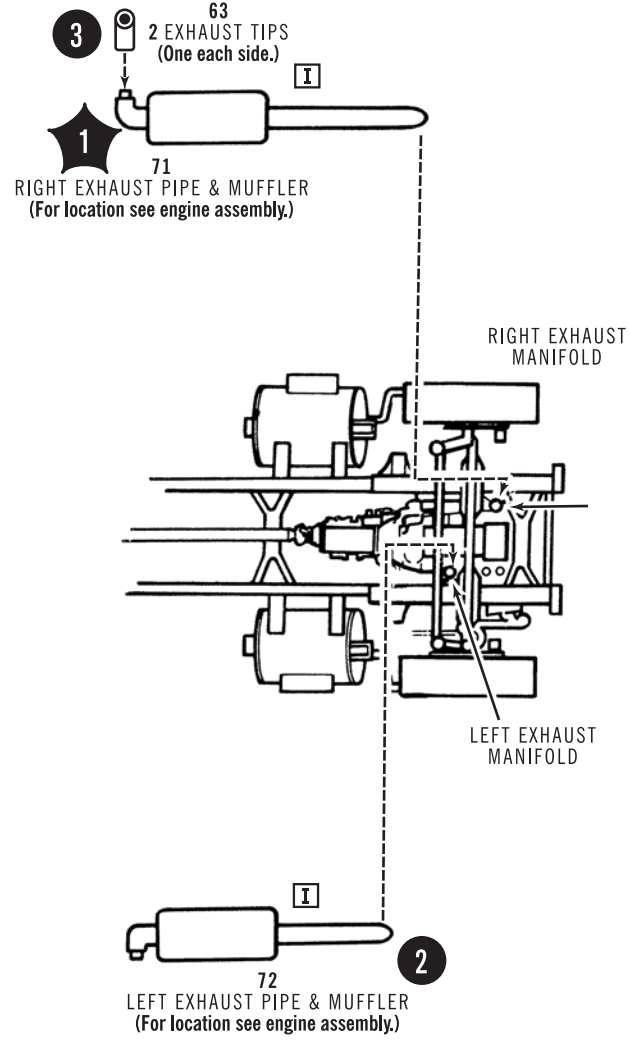
7. INTERIOR



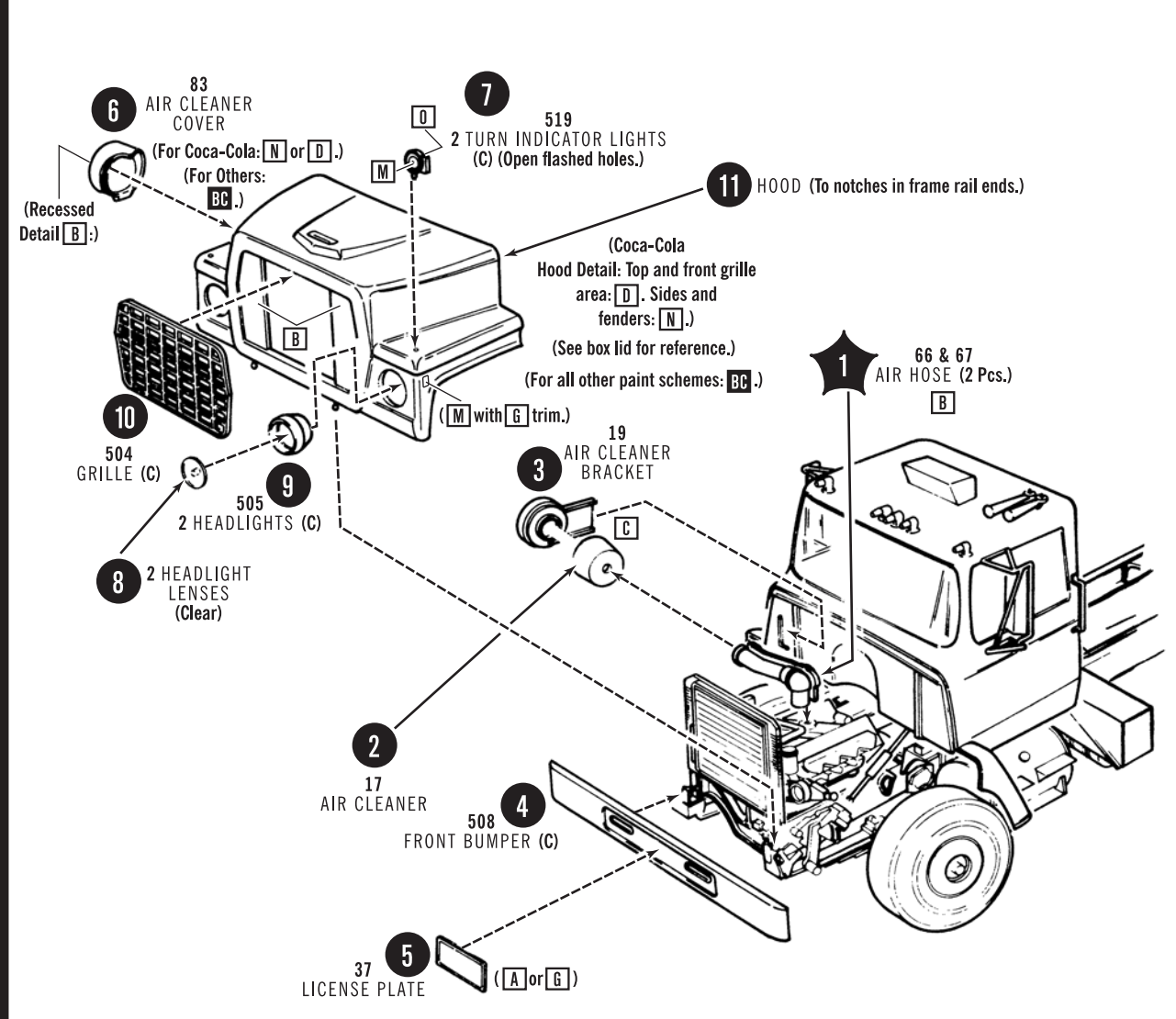
8. CAB



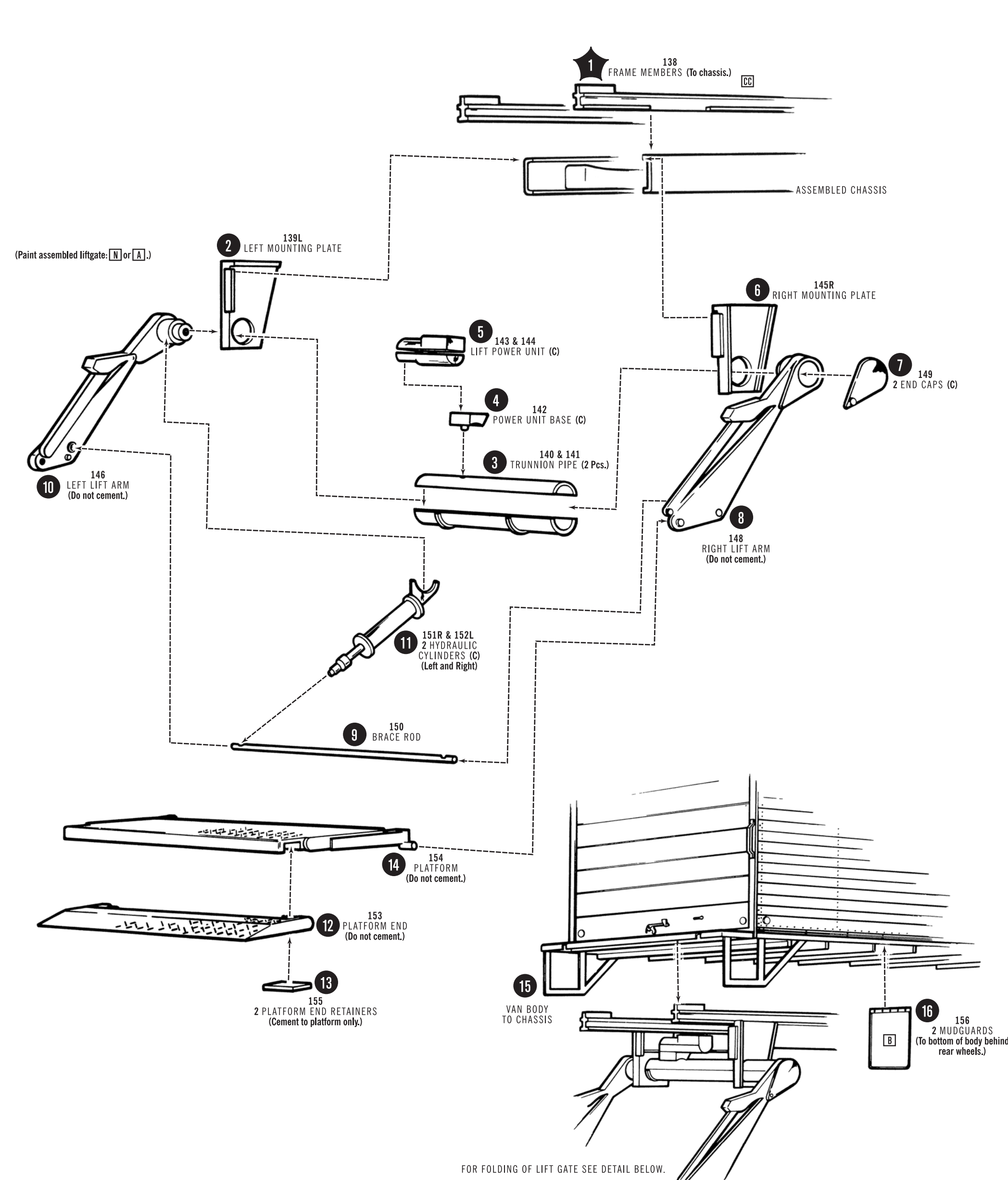
9. EXHAUST SYSTEM



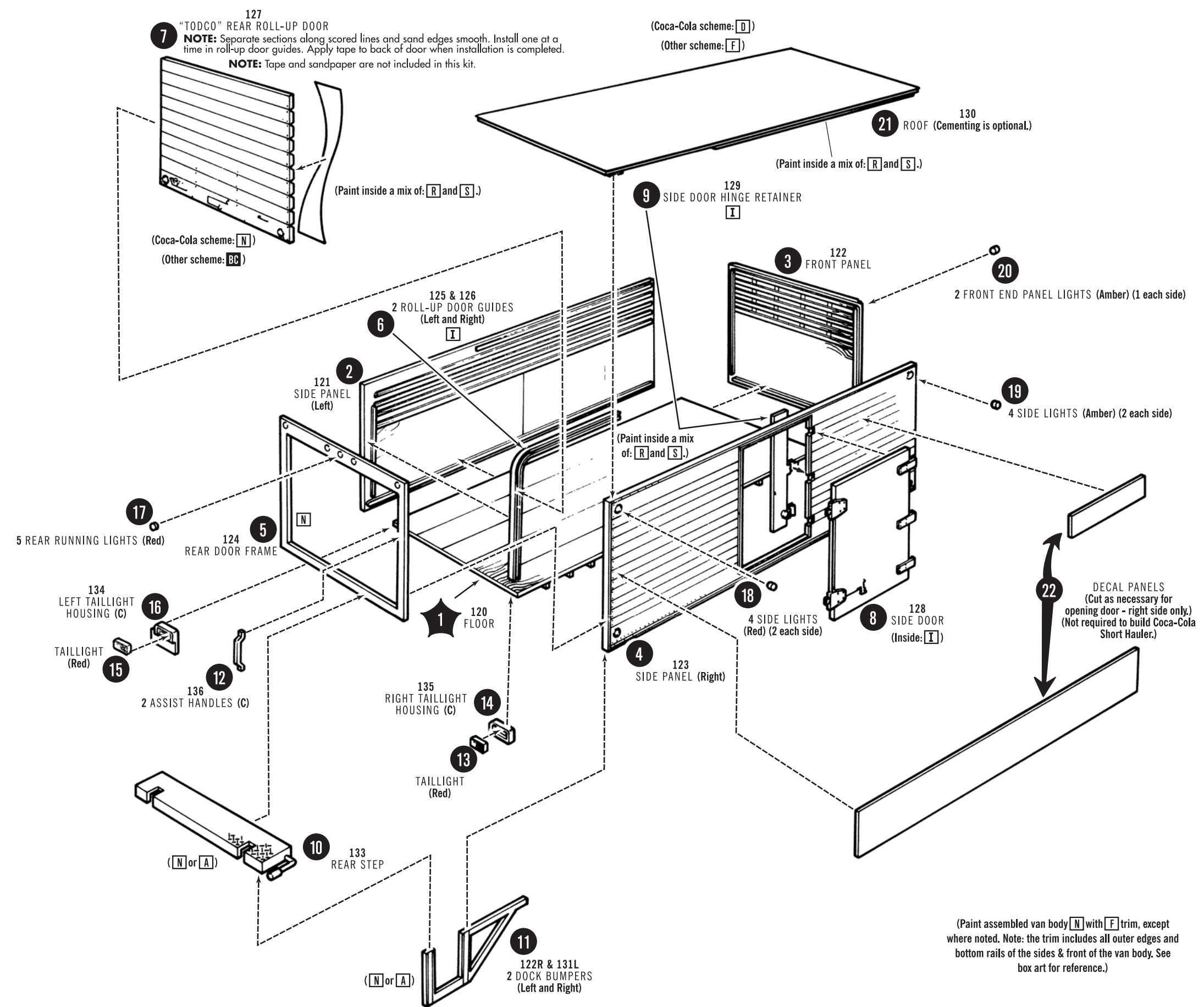
10. HOOD



12. LIFT GATE ASSEMBLY



11. VAN BODY ASSEMBLY



FOLDING OF LIFT GATE

