

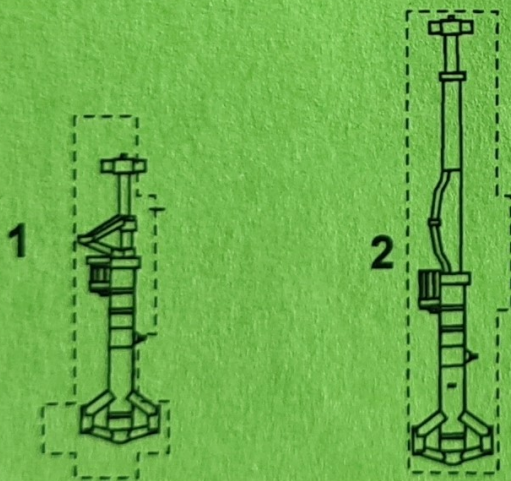
Q72 225 F-4A/B/C/D/E/F/G
Nose Undercarriage Leg in Taxiing
and Take Off Position
for Hasegawa kit



1/72

PX parts

Vyztužené podvozkové nohy!
Strengthened undercarriage legs!



Díly ohnuté popř. pokroucené vlivem teplotních změn a stárnutí materiálu, mohou být narovnány do požadovaného tvaru pomocí proudu teplé vody nebo vzduchu (fén na vlasy).

Parts slightly distorted and bended owing to temperature changes or due to material ageing can be straightened to requested shape by hot water or hot air jet. (hair dryer)

This process can be repeated till result is entirely satisfactory.

K lepení použít kyanoakrylátové lepidlo!

For best result gluing use cyanoacrylate glue!

Kontaktní plochy doporučujeme před lepením odmastit
Contact areas ungrease is recommended before gluing.

Visit an official website and e-shop a

www.cmkkits.com

www.specialhobby.eu

www.facebook.com/specialhobby/



OSTATNÍ SETY / OTHER SETS 1:72

Q72 203 Vampire T.11 - Ejection seats MB Mk.3B for Airfix kit

Q72 204 MG 131 - WWII Germ. Air. Machinegun 13mm (8pcs)

Q72 205 Bf 109G-6 - Exhausts for Airfix kit

Q72 206 Lancaster Mk. I/II/III - Seats for Airf./Has.

Q72 207 Lancaster Mk. I/II/III - Instrument panel for Airf./Has.

Q72 208 Typhoon Mk.I - Exhausts for Airfix kit

Q72 211 Bf 109E-7/Trop - Exhausts for Airfix kit

Q72 213 BAC Lightning F2.A -

Ejection set MB Mk.4C for Airfix/Trum. kit

Q72 226 F-4K (FG.1) - Nose Undercarriage Leg in Taxiing
and Take Off Possition for Hasegawa kit

Special Hobby, Mezilesí 718, CZ - Praha 9, 193 00, e-mail: office@specialhobby.eu

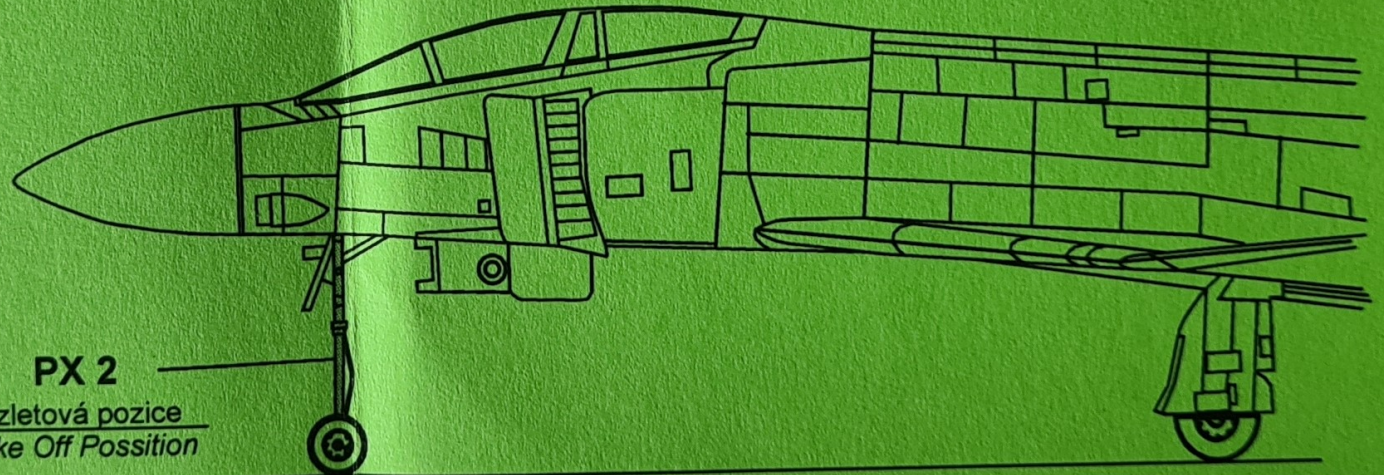
F-4A/B/C/D/E/F/G



Kit parts Hasegawa

PX 1

Pozice pro pojíždění
Taxiing Position



PX 2

Vzletová pozice
Take Off Position