

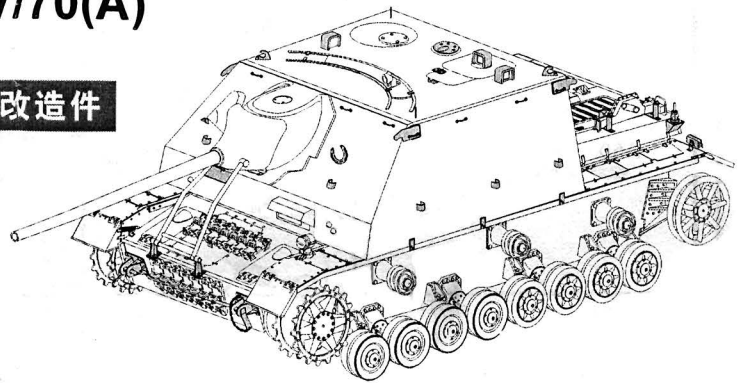
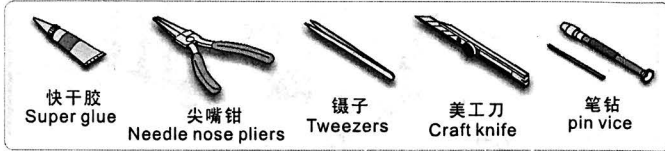
1/35 MILITARY MINIATURE VEHICLE UPGRADE SERIES PE35186

WWII German Jagdpanzer IV/70(A) ZWISCHEN LOSUNG

二战德军IV号坦克歼击车70(A)临时方案型改造件

[For DRAGON 6082]

■ 推荐使用工具 RECOMMENDED TOOLS



- ↑ 安装 install
- ↩ 折叠 bend
- A1 改造件零件编号 PE/resin part number
- B12 原零件编号 kit part number
- C22 被替换的原零件编号 replaced kit part number
- ✖2 制作若干组 multiple assembly
- ⤵ 弧度卷曲 radial bending
- ⇄ 选择安装 alternative
- ✂ 切除 remove
- ⚪ 钻孔 drill
- ⚠ 注意 caution
- ◀ 另一侧相同制作 repeat on opposite side
- ◻ 填补 fill
- 🔪 打磨 grind off
- 📏 用铜管制作 make from brass tube
- 📏 用胶棒制作 make from plastic rod



a Assemble parts A7, A8, A10, A11. **b** Assemble parts A9, A11 (x2).

c Assemble parts A33, A78.

d Assemble parts A20, A20 (x4) for the **悬挂 Suspension**.

e Assemble parts A21, A20.

f Assemble parts A20, A20.

g Assemble parts A23, A27, A28.

h Assemble parts A44, A53.

i Assemble parts A44, A53.

j Assemble parts B16, B18, B44, A61.

k Assemble parts B1, A31, A30, A34, A30, B21, B22, B23, A31, A34, A30, A2, A70, A54, E2, A52, A48, E1, A57, B26.

1/35 MILITARY MINIATURE VEHICLE UPGRADE SERIES PE35186

m

o

n

p

q

q

Recommended item

PE 35187	WWII German Pz.Kpfw.IV Series Fenders
PEA 153	WWII German Jagdpanzer IV/70(A) "Thoma shields" wire mesh schürzen
VBS0149	WWII German Jagdpanzer family 75mm L/70 Barrel w/Mantlet

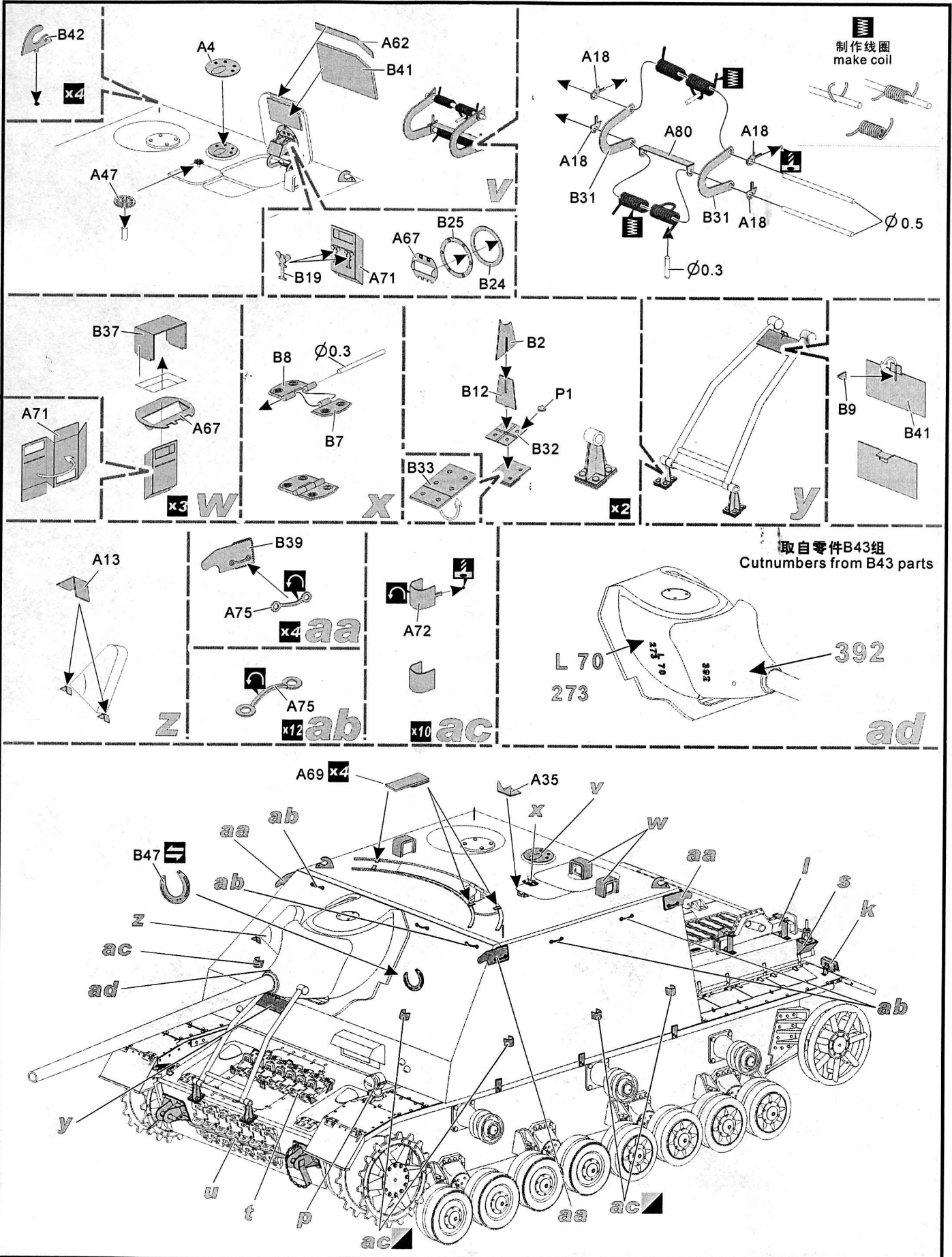
r

s

u

t

1/35 MILITARY MINIATURE VEHICLE UPGRADE SERIES PE35186



1/35 MILITARY MINIATURE VEHICLE UPGRADE SERIES PE35186

