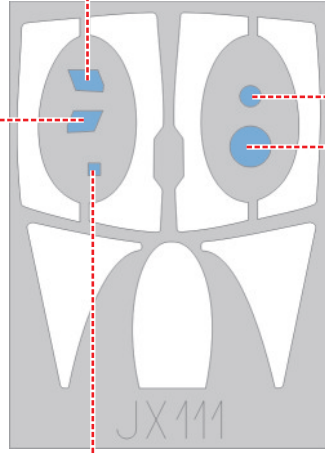
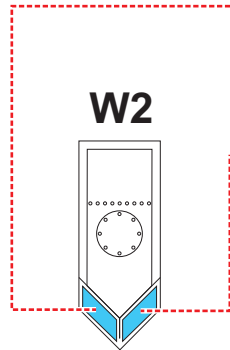
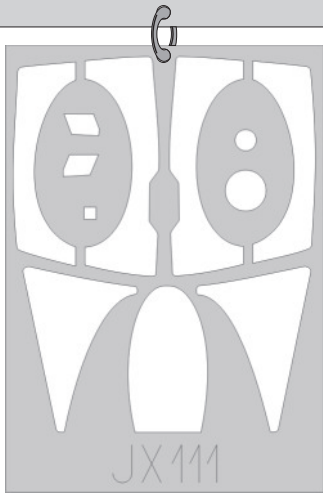


eduard
MASK

JX 111

MiG-23MF Flogger B 1/32

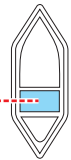
The die-cut mask for accurate canopy frame painting of the *Trumpeter* scale 1/32 KIT



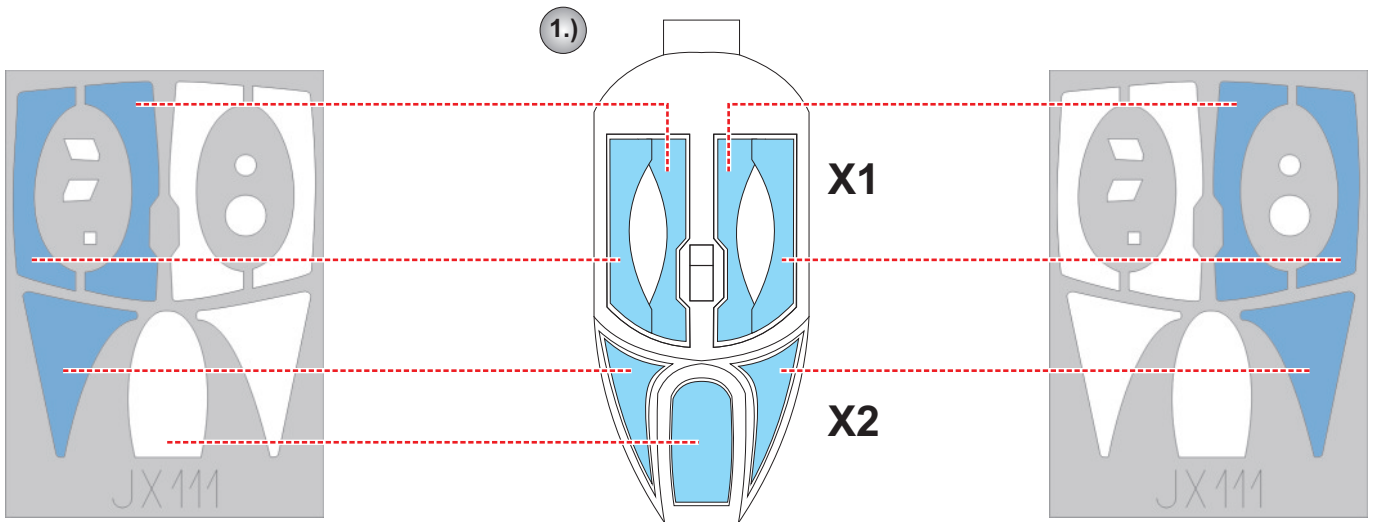
GP2



GP4

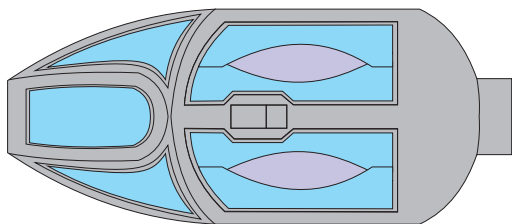


GP10



2.)

LIQUID MASK ■



X2

X1

3.)

