

72nd Scale  
NO.  
72-244



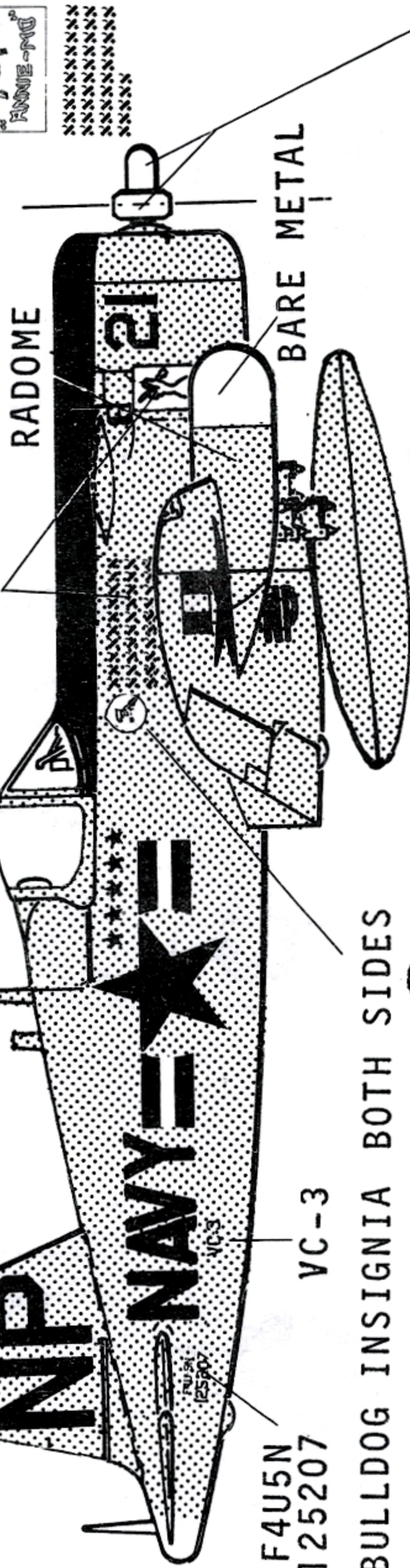
KOREAN WAR ACES #2  
**MICROSCALE DECAL**  
BY KRASEL INDUSTRIES, INC., SANTA ANA, CA. 92705

AIRCRAFT



XXXXXXXXXX  
XXXXXXXXXX  
XXXXXXXXXX  
XXXXXXXXXX  
XXXXXXXXXX  
XXXXXXXXXX

PERSONAL MARKING (ANNIE-MO)  
AND MISSION MARKERS STAR-  
BOARD SIDE ONLY



USE FUJIMI NOSE  
AND RADOME

RADOME

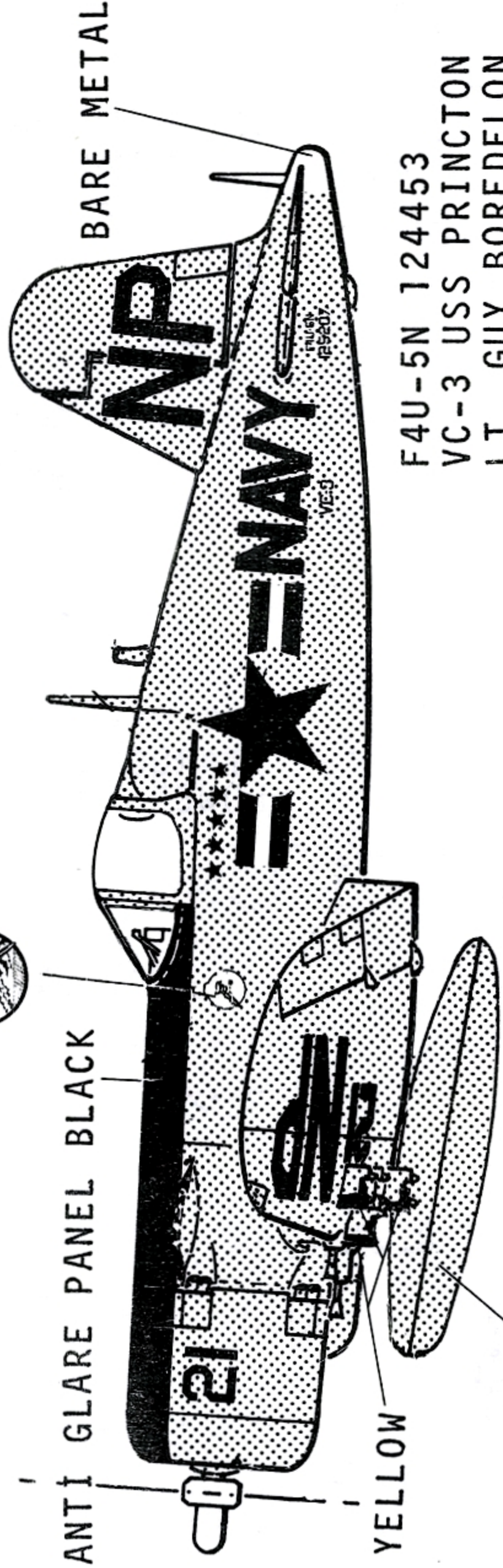
F4U5N  
125207

VC-3

BULLDOG INSIGNIA BOTH SIDES



HUB AND DOME POWDER BLUE



ANTI GLARE PANEL BLACK

BARE METAL

YELLOW

F4U-5N 124453  
VC-3 USS PRINCETON  
LT. GUY BOREDELON  
K6 PYONGTACK, KOREA  
JULY 1953

IF FUEL TANK IS TO BE USED, IT SHOULD  
BE TAKEN FROM ANOTHER MODEL

REFERENCES AND INFO FROM "MIG ALLEY" BY LARRY  
DAVIS INFORMATION COORDINATED BY DON GARRETT

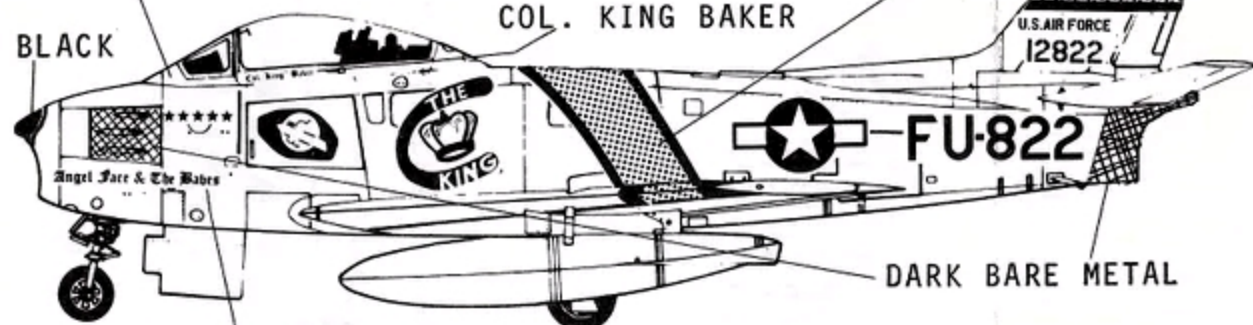
"ANGEL FACE AND THE BABES/THE KING"  
 F-86E #51-2822, 336th FIS, COL. ROYAL BAKER,  
 SPRING 1953

OVERALL AIRCRAFT BARE METAL

BLACK

COL. KING BAKER

YELLOW



DARK BARE METAL

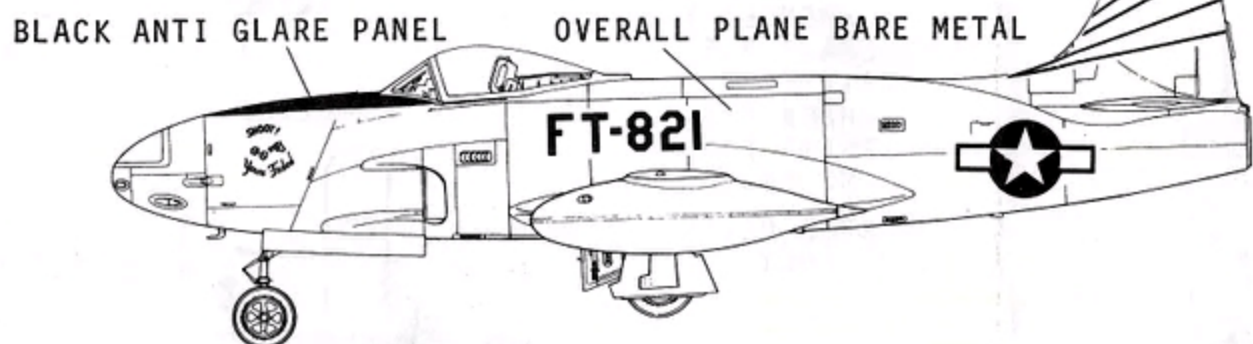
ANGEL FACE AND THE BABES

F-80C 49-821  
 8FBW, 36FBS  
 K2 KOREA 1951

BLACK ANTI GLARE PANEL

OVERALL PLANE BARE METAL

BLACK



FT-821

P-51D 45-11736  
 12FBS, 18FBG  
 LT. JAMES GLESSNER  
 KOREA NOV. 1950

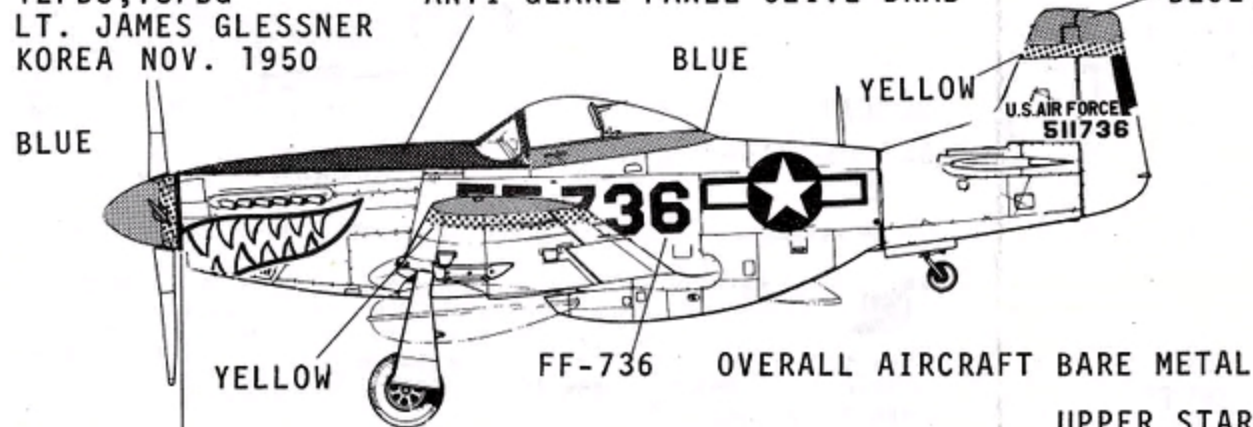
ANTI GLARE PANEL OLIVE DRAB

BLUE

YELLOW

BLUE

BLUE



YELLOW

FF-736

OVERALL AIRCRAFT BARE METAL

UPPER STARBOARD STABILIZER

SINGLE BLACK STRIPE DECAL

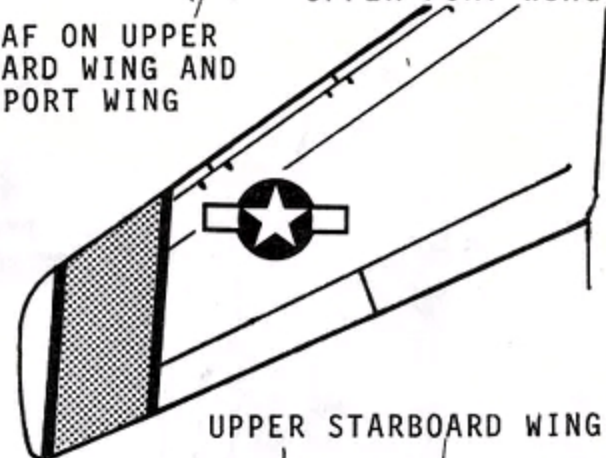
ALL AIRCRAFT THIS PAGE NATIONAL INSIGNIAS BOTH SIDES OF FUSALAGE  
 AND UPPER PORT WING AND LOWER STARBOARD WING (SCALE TO SIZE)

UPPER STARBOARD WING



UPPER PORT WING

36" USAF ON UPPER  
 STARBOARD WING AND  
 LOWER PORT WING

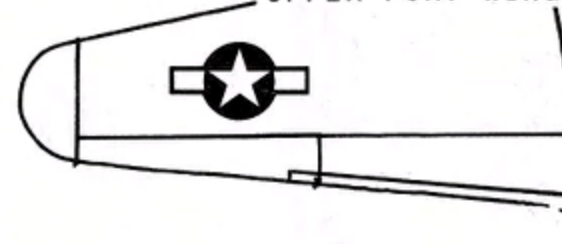


UPPER STARBOARD WING

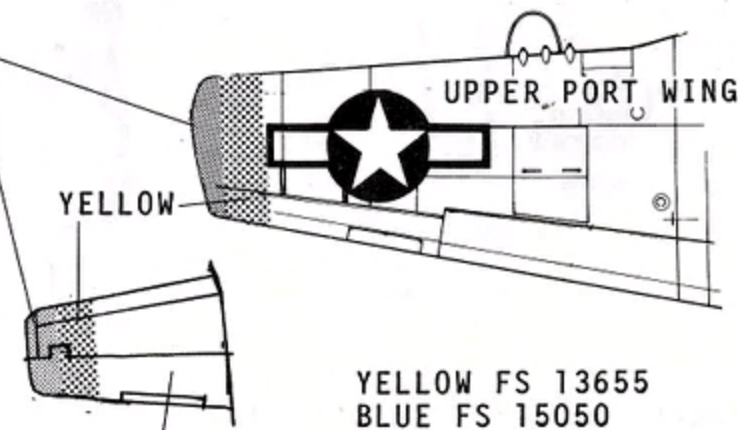
24" USAF ON UPPER  
 STARBOARD WING AND  
 LOWER PORT WING



UPPER PORT WING



UPPER PORT WING



YELLOW

YELLOW FS 13655

BLUE FS 15050

POWDER BLUE FS 35466

BLACK FS 37038

**72nd Scale**

NO.

72-244



KOREAN WAR ACES #2

**MICROSCALE DECAL**

BY KRASEL INDUSTRIES, INC., SANTA ANA, CA 92705

**AIRCRAFT**

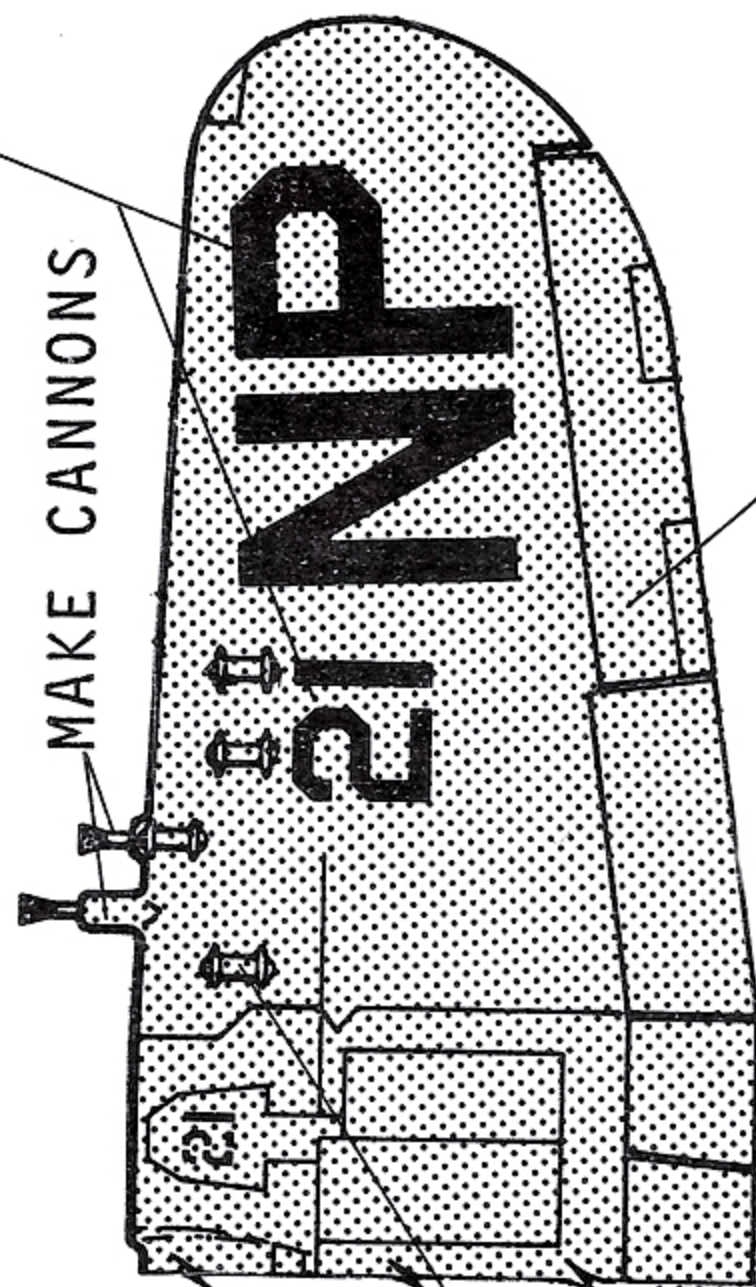
The MICRO SCALE DECAL is the thinnest, most versatile decal made. It will conform to the irregular surfaces found on models because of its strength and flexibility. These characteristics are not found on any other decal made. When used with the MICRO SCALE SYSTEM the MICRO SCALE DECAL will help produce the most realistic model you can make.

The MICRO SCALE SYSTEM is simple to use but each step must be followed as described to assure perfect results. The elimination of any step may cause blushing (silvering of the decal film) or an uneven finish on the completed model.

**The MICRO SCALE DECAL SYSTEM**

1. Surface to be decalced must have a smooth, glossy, painted finish. (Do not apply decals to unpainted surfaces or they will not adhere.) To obtain this surface either paint the model with glossy paints or spray MICRO GLOSS over matte-finish paint. **IMPORTANT** Spray MICRO GLOSS over entire model or uneven patches will appear when the flat finish is added later. Allow paint to dry thoroughly.
2. For best results, surface to be decalced should be horizontal. A small vise is helpful here, or a box can be made into a jig to allow the model to lay on its side.
3. Cut each decal subject from the sheet only as needed. **DO NOT** cut clear film away from design. Using tweezers, dip decal completely into water then remove and allow decal adhesive to soften. About one minute should be sufficient.
4. While adhesive is softening use a soft, medium-size brush, a No. 7 red sable water color brush is ideal, and wet the area to be decalced with a few drops of MICRO SET (Blue label). This contains a wetting agent and helps eliminate tiny air bubbles.
5. Holding the decal paper with tweezers, use the brush to slide the loosened decal into the MICRO SET on the model.
6. Now place a few drops of MICRO SOL (Red label) directly onto the decal and position the decal exactly where it is to remain.
7. The MICRO SOL will soften the decal and allow it to conform exactly to the surface beneath. **DURING THIS PROCESS THE DECAL WILL WRINKLE AND DISTORT. DO NOT TOUCH IT! THIS IS NATURAL AND AN IMPORTANT PART OF THE SYSTEM!** As the decal dries it will flatten-out and lay down. When finally dry there will be no distortion and the decal will be permanently bonded to the paint beneath. Actual drying time will vary according to temperature and humidity.
8. When decal is dry, examine it for any air bubbles. If any are found, puncture them with a sharp needle and put a drop of MICRO SOL over the bubble and allow to dry.
9. Carefully examine the clear film to be sure no silvering has appeared. If any is present, puncture the film several times with a sharp needle and apply MICRO SOL. The silvering should vanish as the SOL touches it.
10. After the decals have dried for several hours, carefully wash the decal adhesive from the entire model.
11. After the decals have dried for at least 12 hours, complete the model by spraying with either MICRO FLAT or MICRO GLOSS, depending on the sheen desired on the finished model.

REPEAT TOP STARBOARD WING



LOWER PORT WING

**RECOMMENDED KITS**

HASEGAWA P-51D

AIRFIX F-80C

MATCHBOX F4U-4C

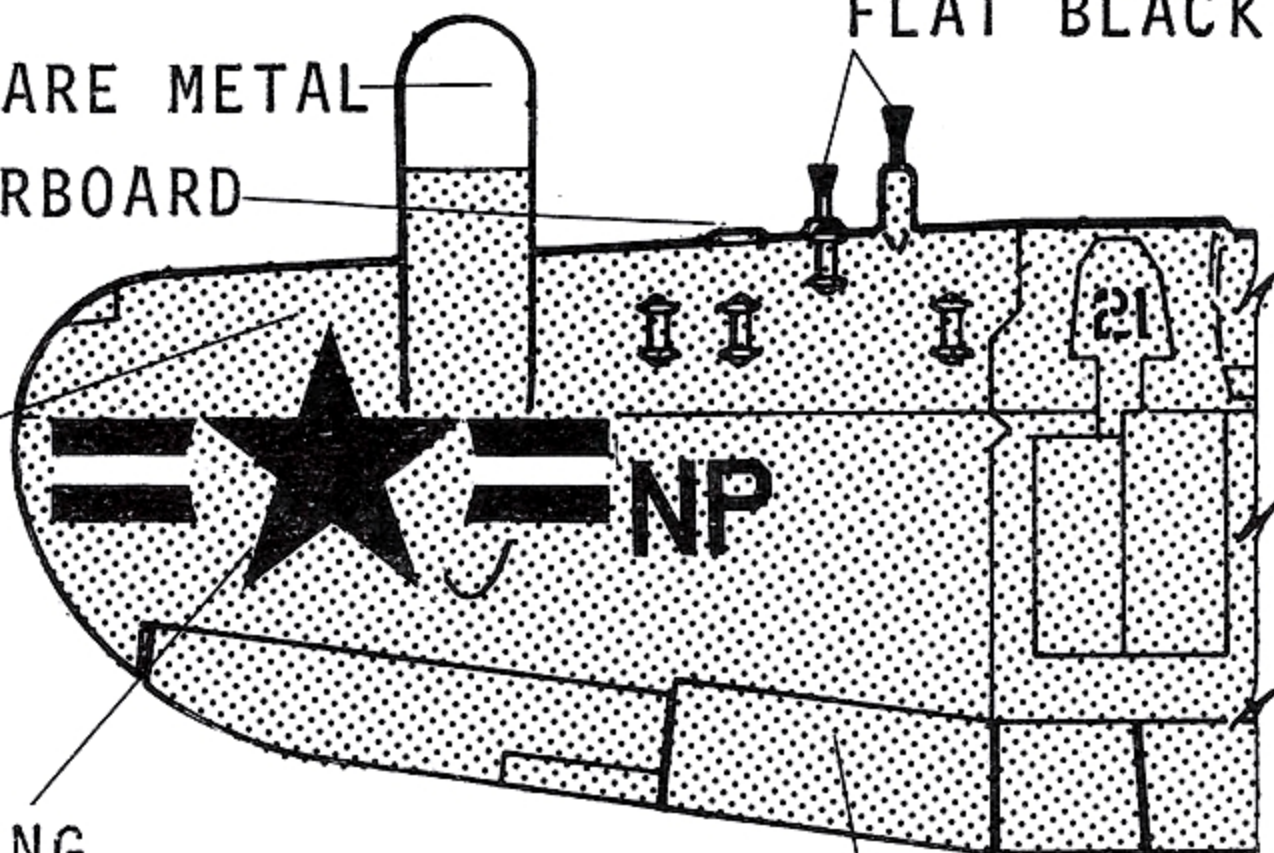
HASEGAWA F-86-F

FUJIMI F4U-5N


BARE METAL

"BURBLE PLATE" STARBOARD  
SIDE ONLYOVERALL AIRCRAFT  
BLUEREPEAT TOP PORT WING  
BOTTOM STARBOARD WING ONLY

LOWER STARBOARD WING



We recommend Polly S paints for matching federal standard colors.

 The International Plastic Modelers Society is an organization devoted to developing the plastic modeling art. It was formed "By Modelers - For Modelers". If you wish to expand your modeling talents, write for further information to: IPMS/USA, New Member Information, P.O. Box 2555, Long Beach, Ca., 90801;