

M-60A1 PATTON BLAZER TANK WITH KMT-4 MINE ROLLER

The Patton M-60 design may be old, tall and not so fashionable, but in the hands of the Israeli Defense Force, it remains a highly effective Main Battle Tank because of the many modifications developed and applied by the IDF. The best tank tinkerers in the world call the IDF their home.

Liberal additions of armor plate and *Blazer Reactive Armor* have given the Patton a new lease on life. Developed by the IDF, the reactive armor has proven so effective, countries around the world have copied the concept and the Israeli designs. Very simply, reactive armor consists of small metal boxes filled with solid contact-sensitive explosives. These boxes are spaced a few inches away from the actual armor plate; when hit by an incoming round, the reactive armor explodes, diverting the incoming projectile from striking and possibly penetrating the tank's armor plate. Simple but highly effective!

In Lebanon, the primary defense against tank attack was to plant land mines by the thousands. A tank hitting a land mine could easily lose a tread, making it vulnerable to attack. The original solution invented long ago was to push a mine plow ahead of the tank, detonating the mines it encountered. As everyone knows, it's easier to push a wheel than a plow, particularly up a hill or over rough surfaces. The articulated roller assemblies of the KMT-4 provide the ability to clear a path at much faster speeds than a plow.



Cement Parts
Coller
Kleben
Pegar
Incollare
Colar
Kleven



DO NOT cement
Ne pas coller
Nicht kleben
No pegar
Non incollare
Nao colar
Niet kleven



Cut away
Couper
Scheiden
Cortar
Tagliare
Cortar
Snijden



Optional parts
Choix
Auswahlmöglichkeit
Eleccion
Scelta
Opcao
Keuze



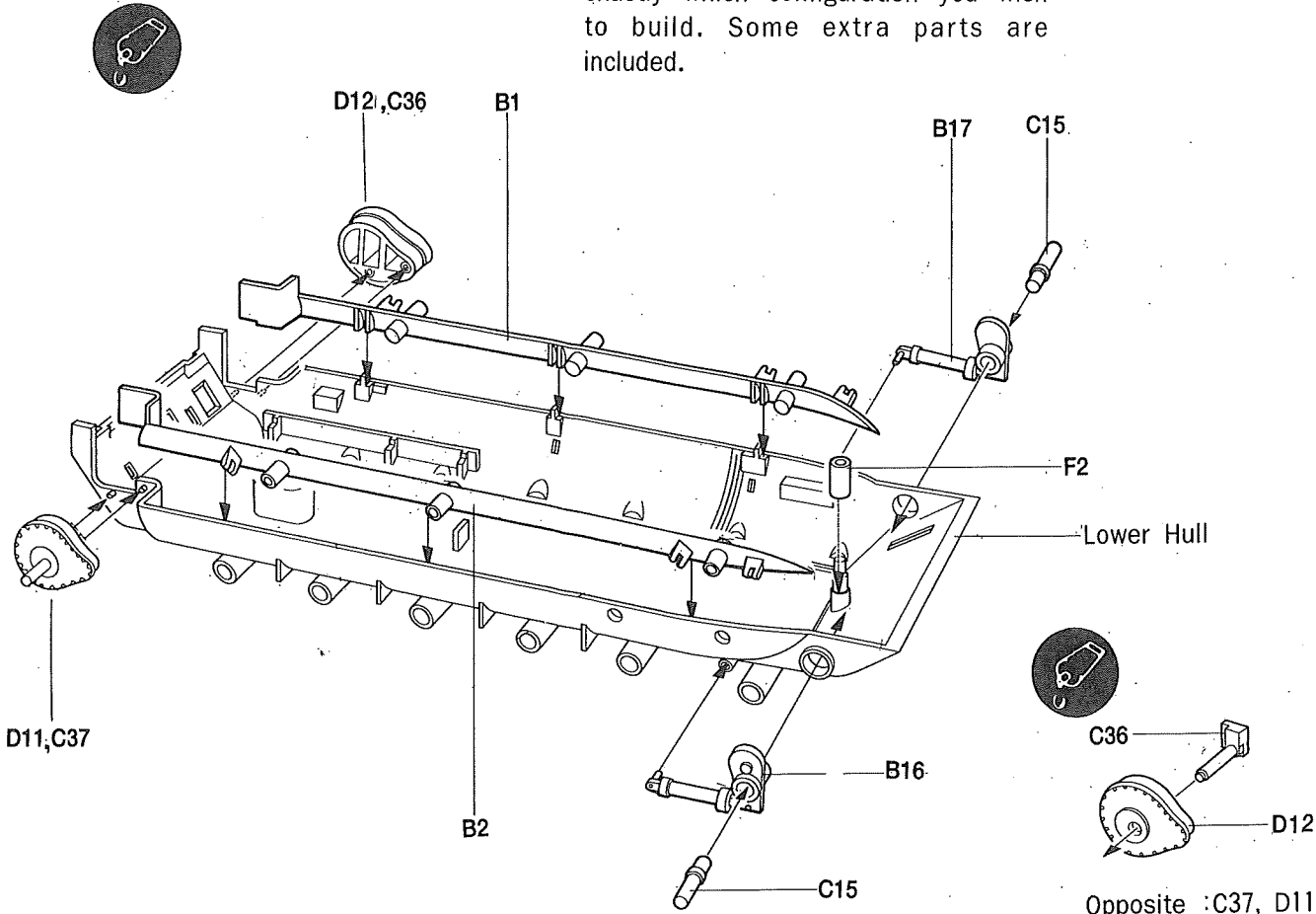
3

Repeat operation
Répéter l'opération
Vorgang wiederholen
Repitir la operacion
Ripetere
Repitir a operação
Herhalen

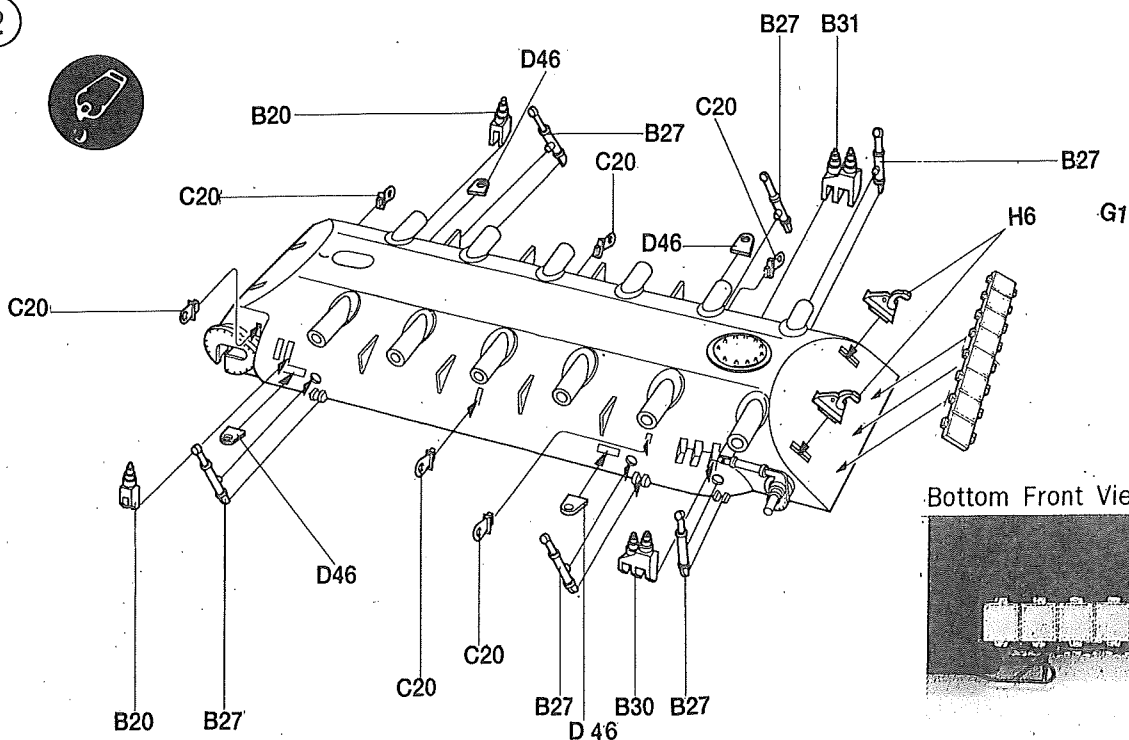
LOWER HULL ASSEMBLY

1

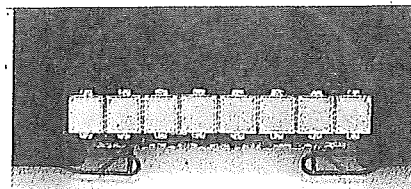
Please read through entire instruction manual before assembly to determine exactly which configuration you wish to build. Some extra parts are included.



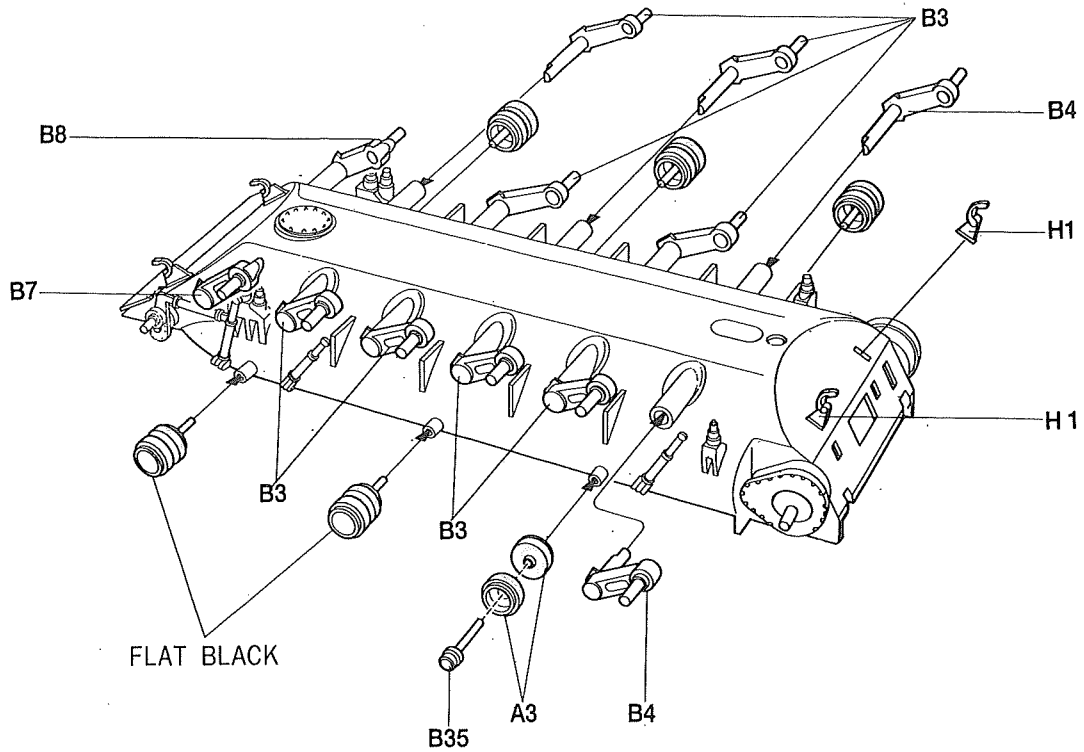
2



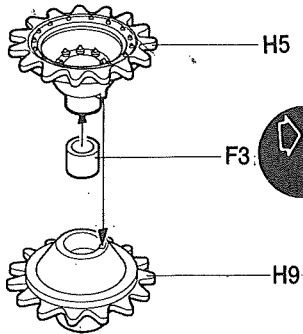
Bottom Front View



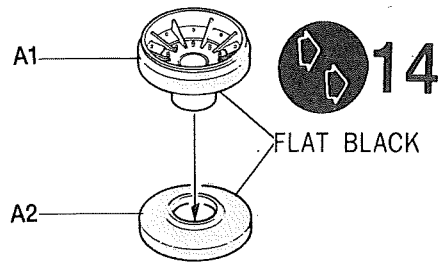
3



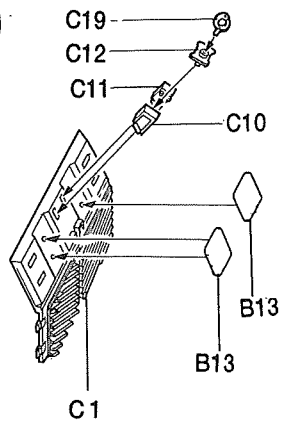
■ Drive Sprockets



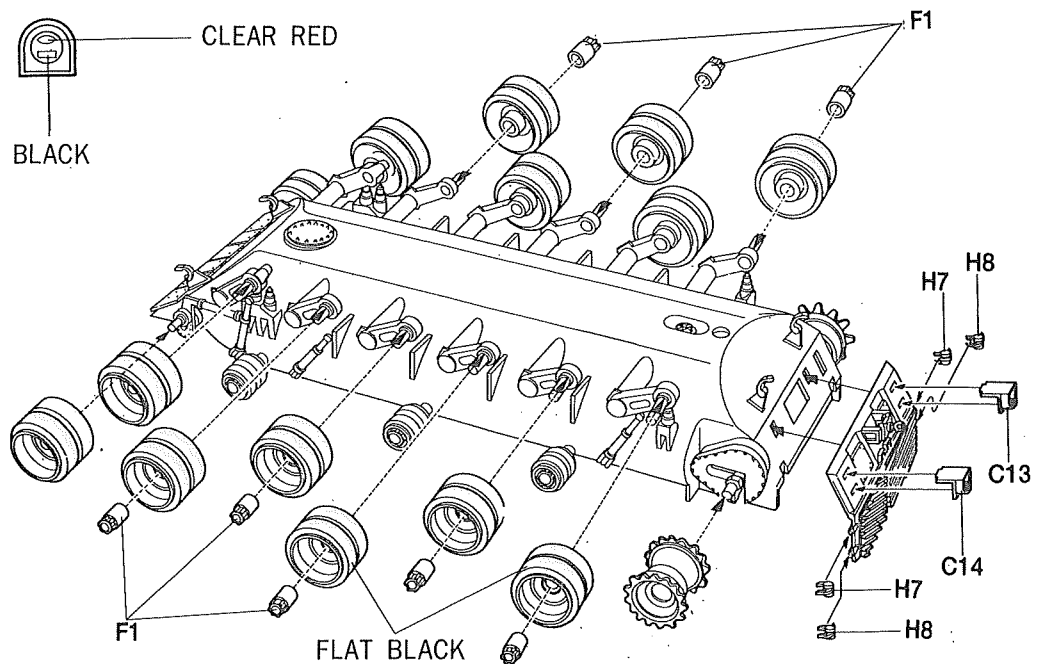
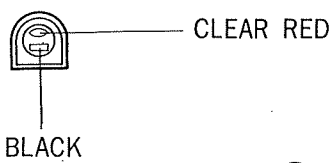
■ Road Wheels



■ Rear Panel

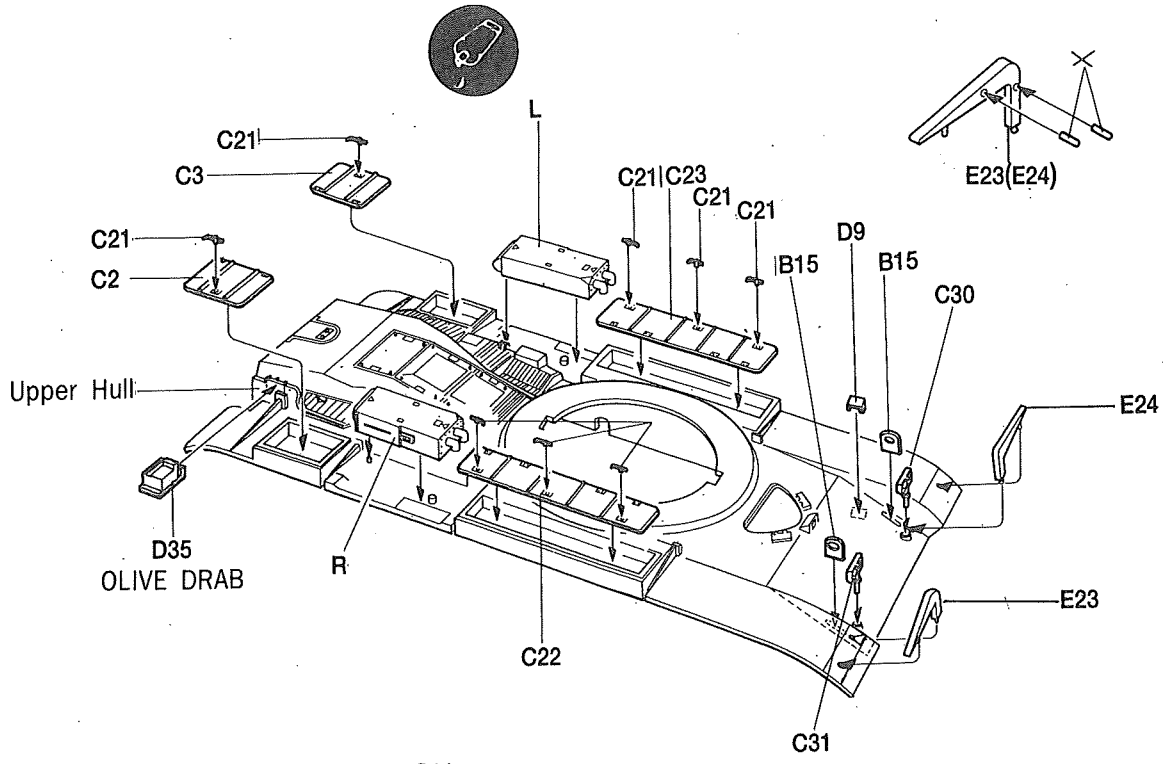


■ Tail Light

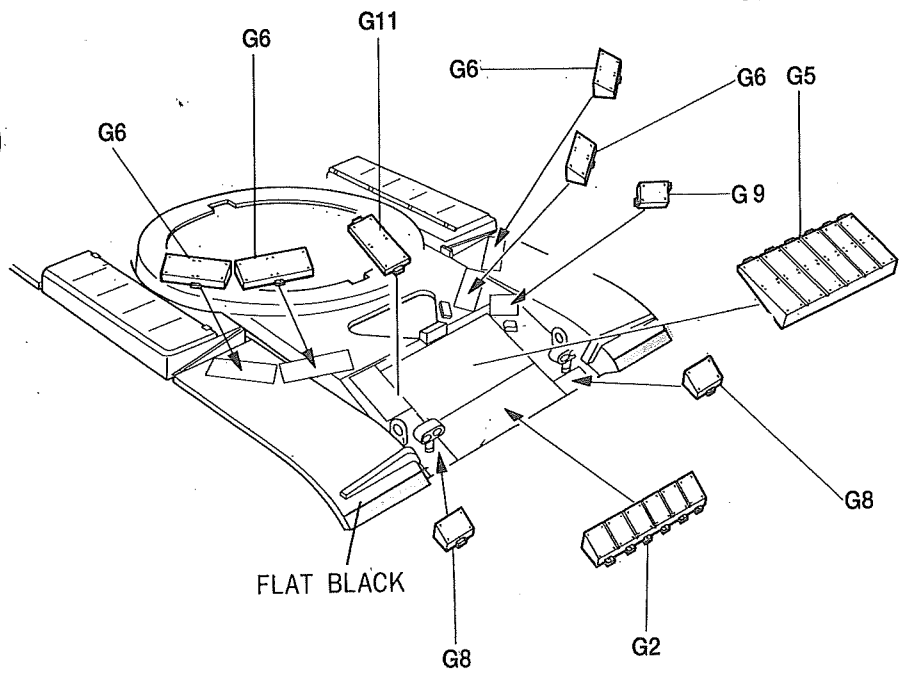


UPPER HULL ASSEMBLY

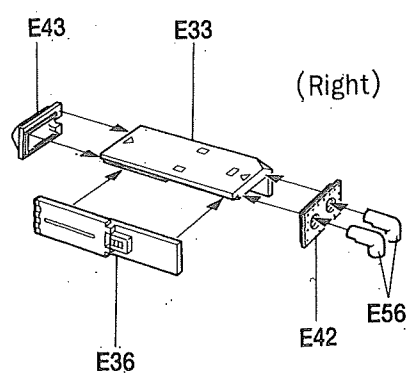
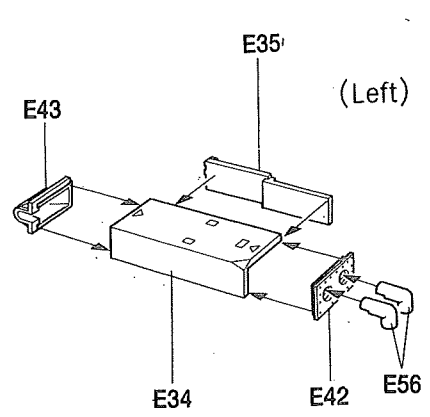
1



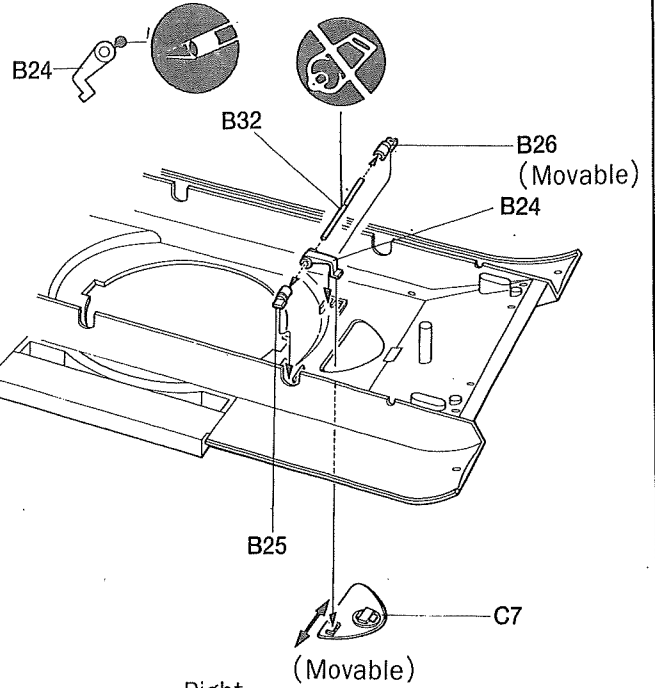
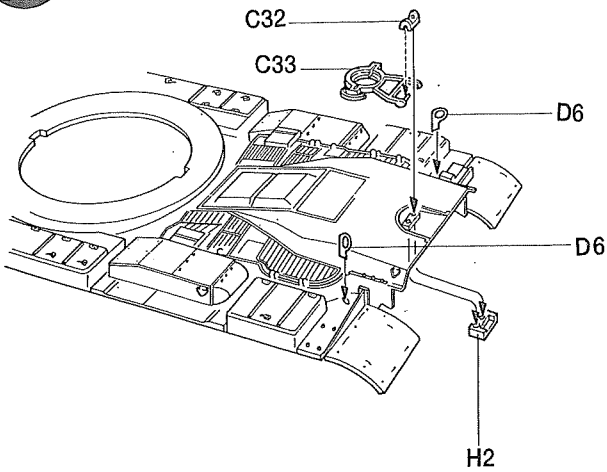
2



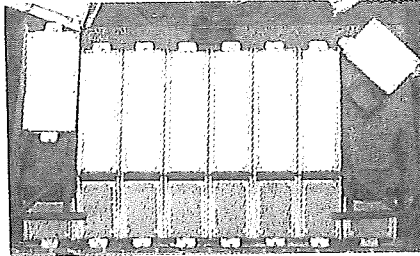
■ Air Cleaners



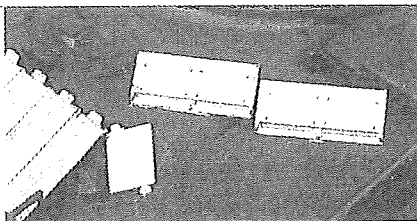
3



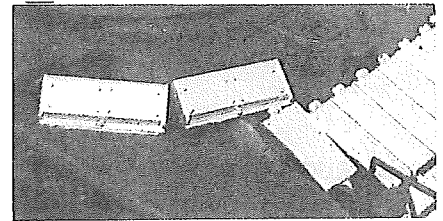
Top Frontal Area Views



Left



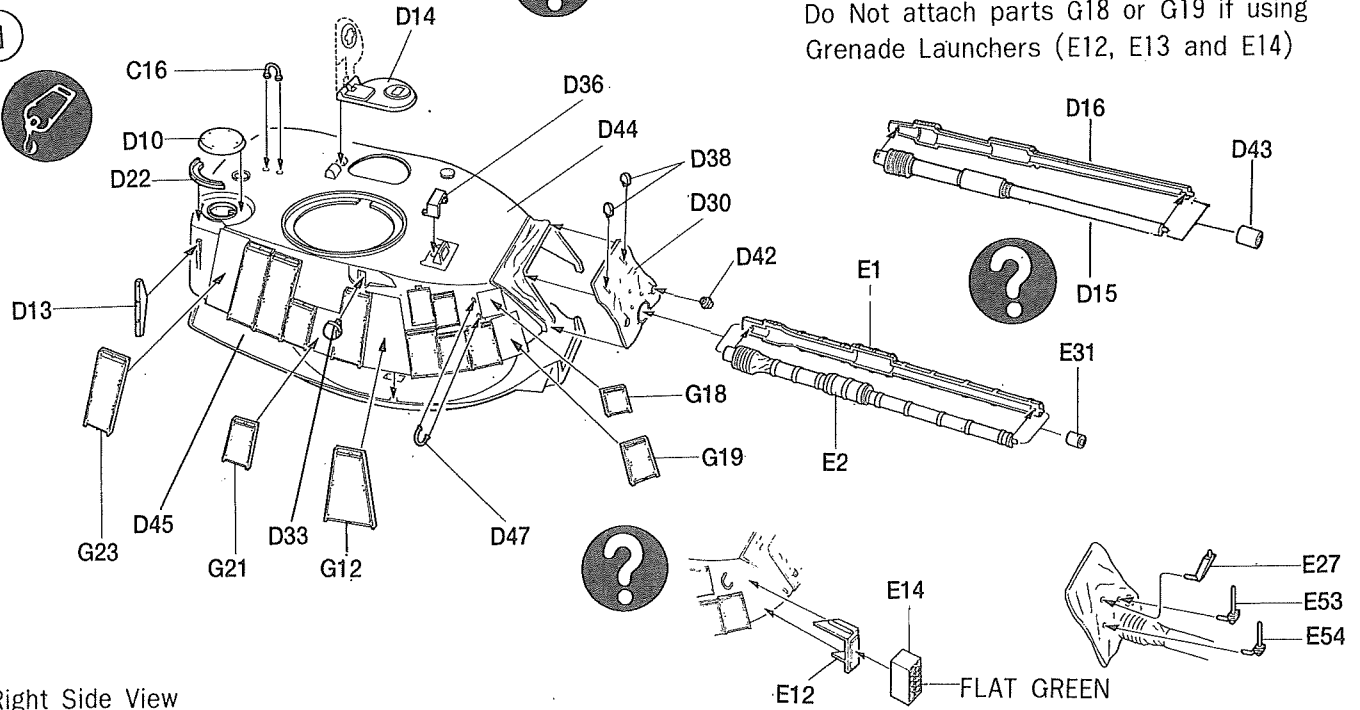
Right



TURRET ASSEMBLY

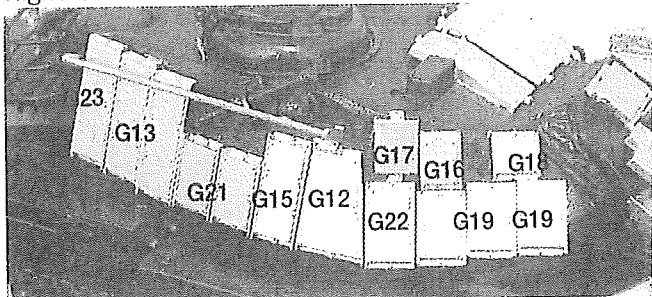


1

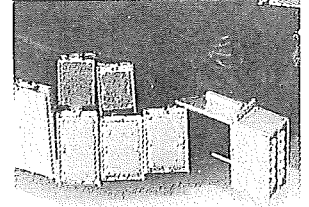
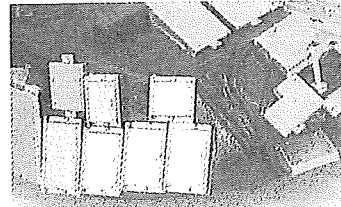


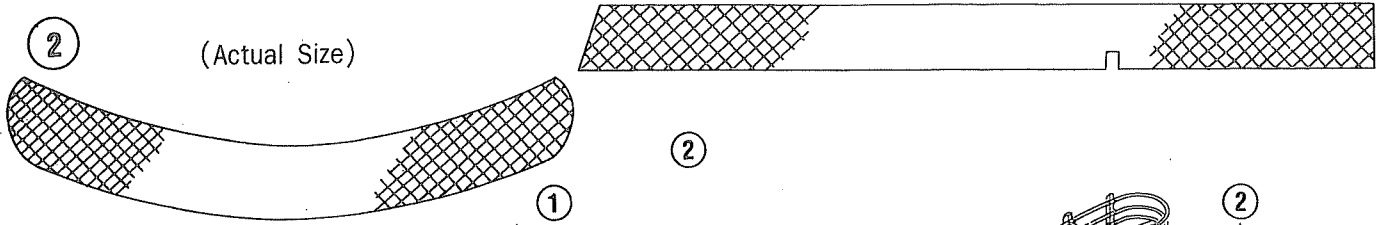
Do Not attach parts G18 or G19 if using Grenade Launchers (E12, E13 and E14)

Right Side View

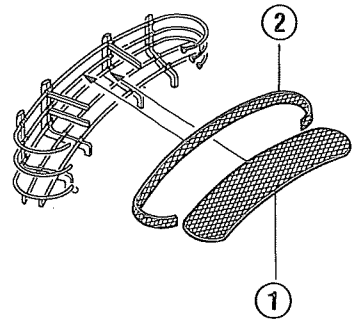
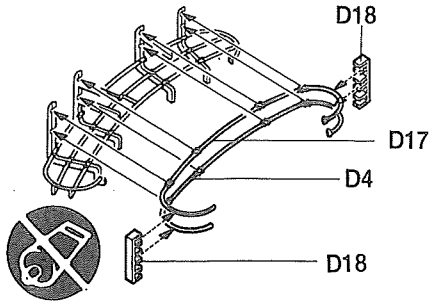
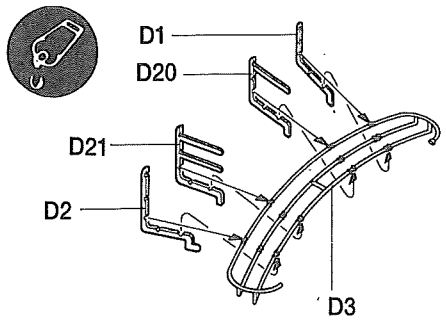


Right Front View w/G18,G19 Right Front View w/E12,E14





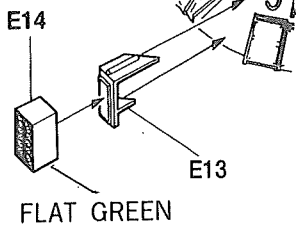
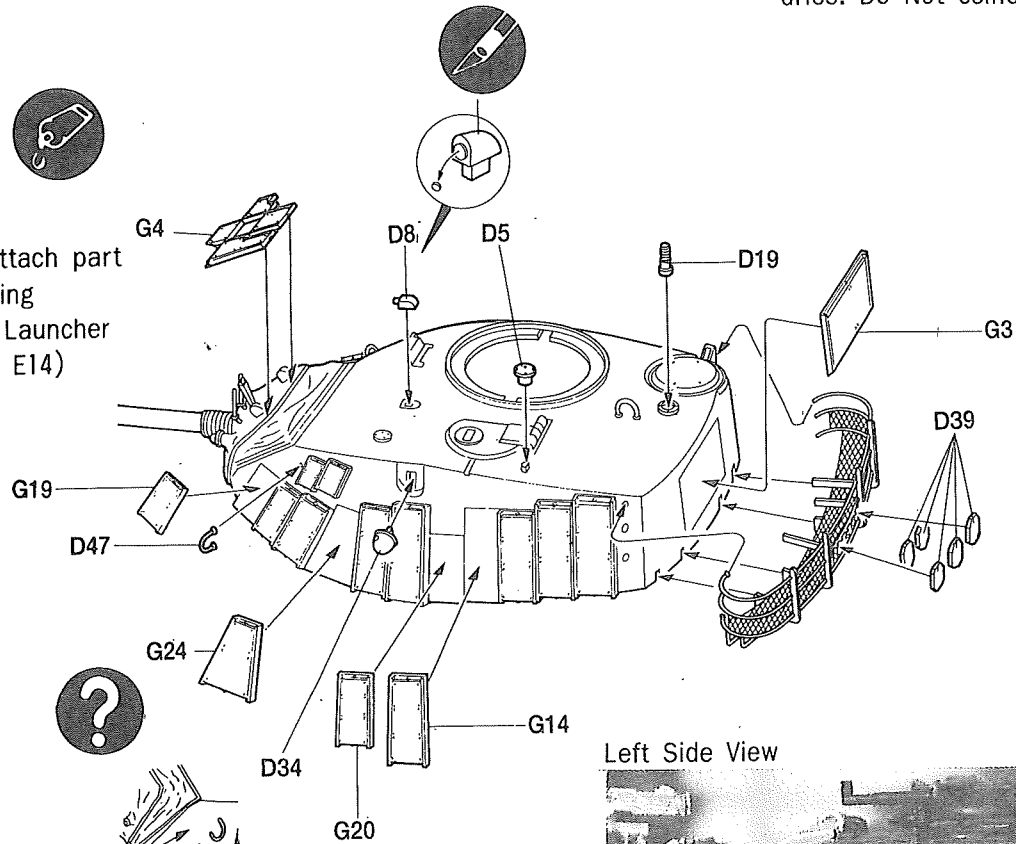
■ Cut Screen Mesh to size using templates.



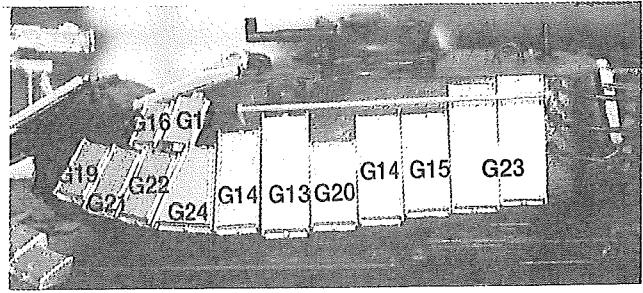
Parts D18 are jigs to hold basket in position until cement dries. Do Not cement D18.

3

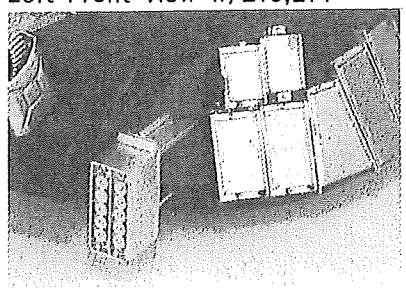
Do not attach part G19 if using Grenade Launcher (E13 and E14)



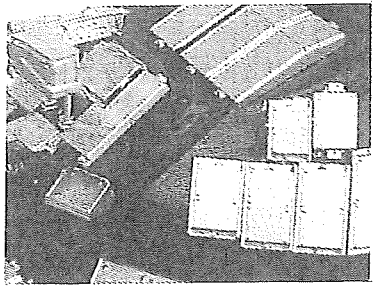
Left Side View



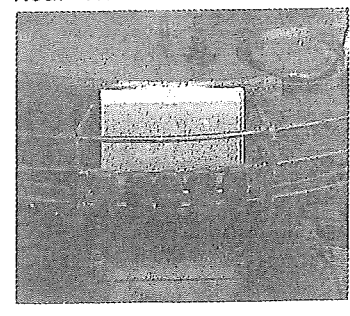
Left Front View w/E13,E14



Left Front View w/G19

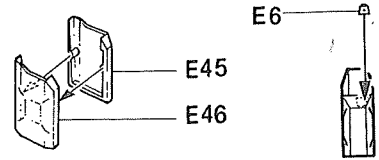


Rear View

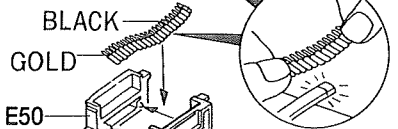
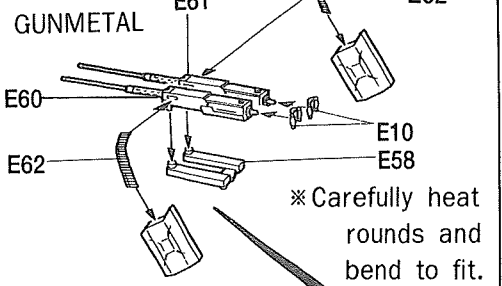


Machine Gun Assemblies

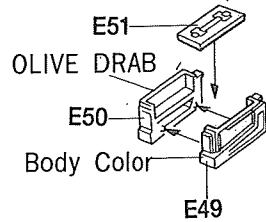
Body Color



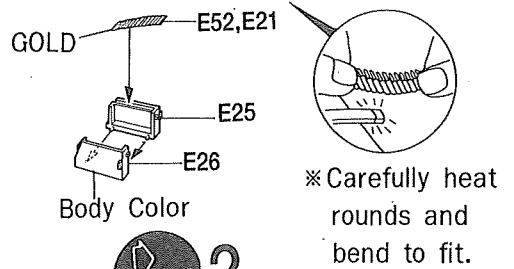
50 Caliber



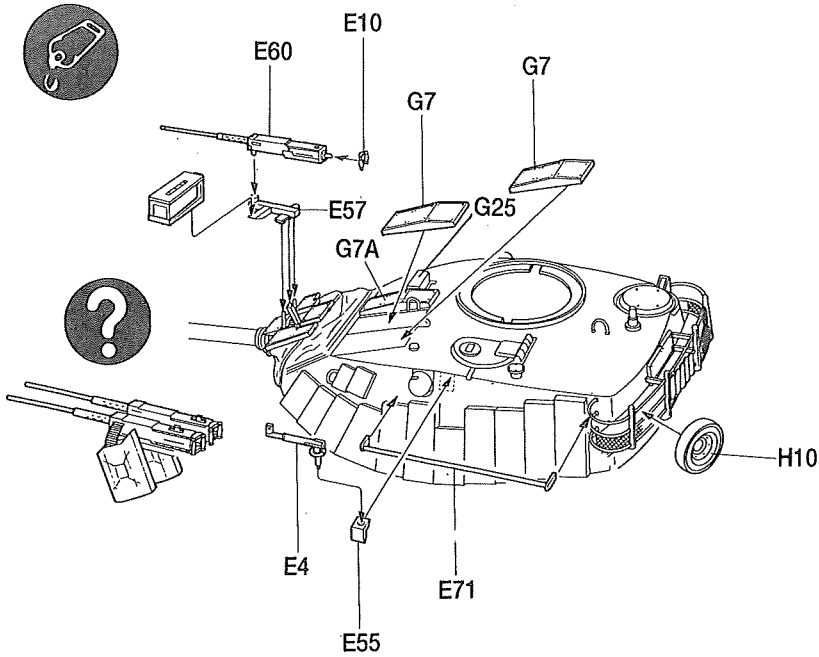
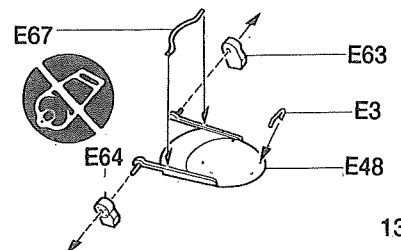
Body Color
OLIVE DRAB



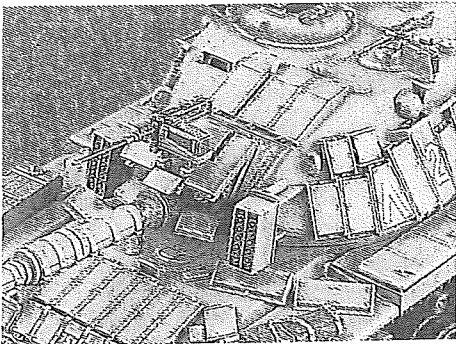
7.62mm



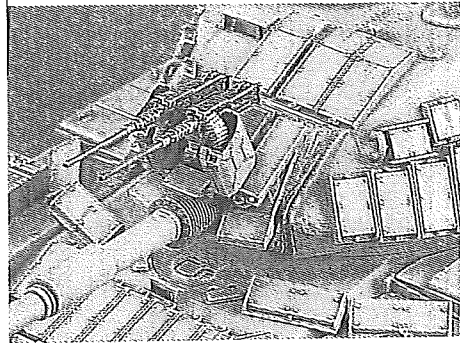
Commander's Hatch



Front View w/single 50 Caliber

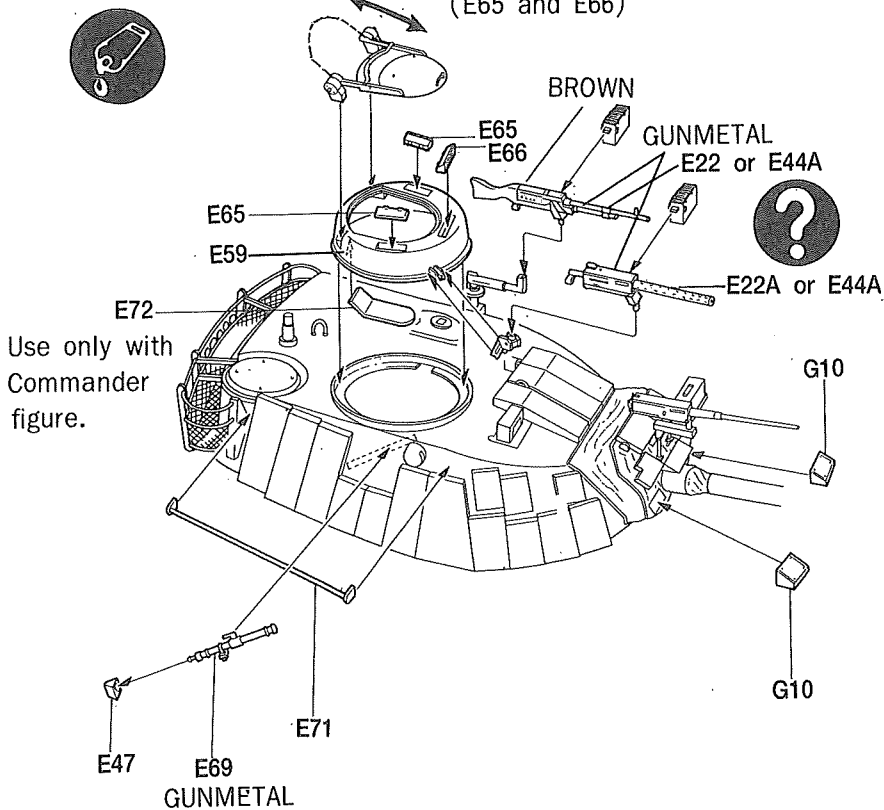


Front View w/dual 50 Caliber

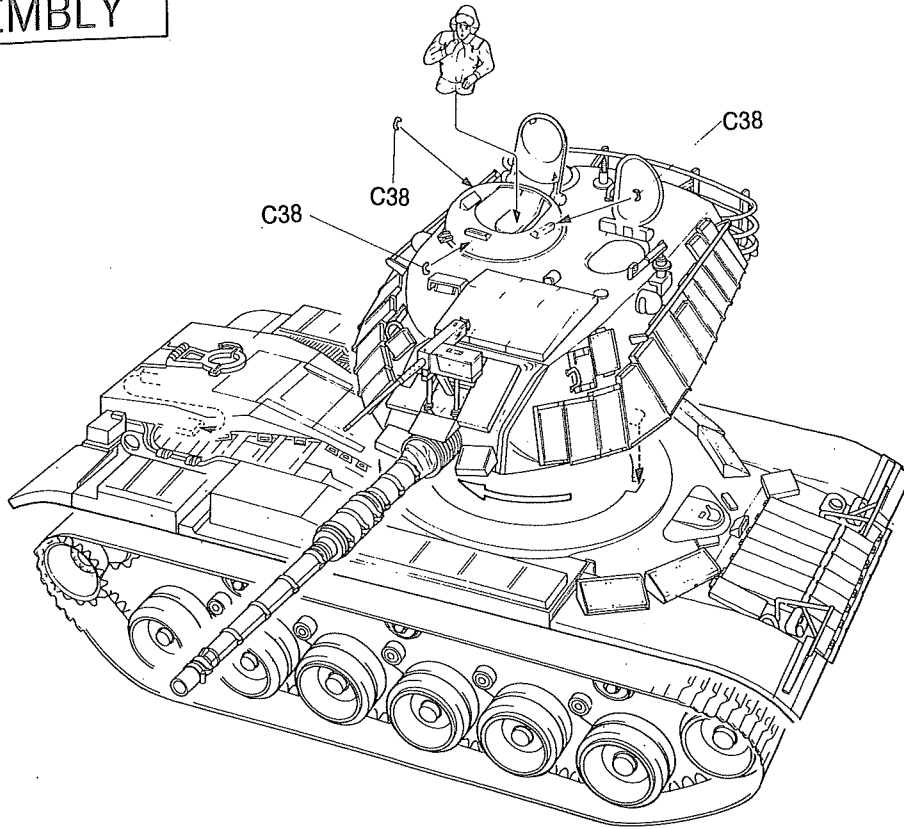


5

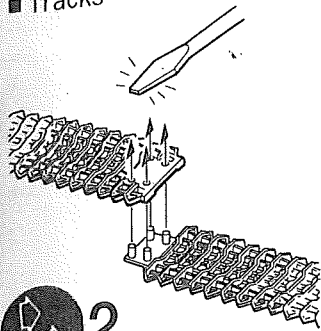
Choice to open or closed (E65 and E66)



FINAL ASSEMBLY

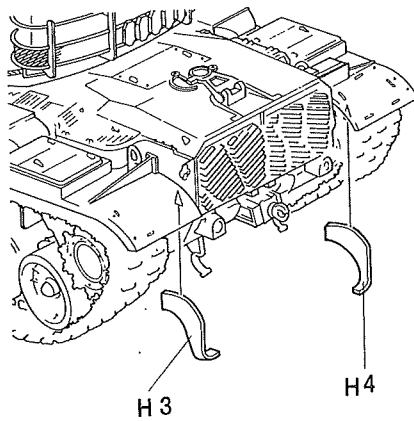


■ Tracks

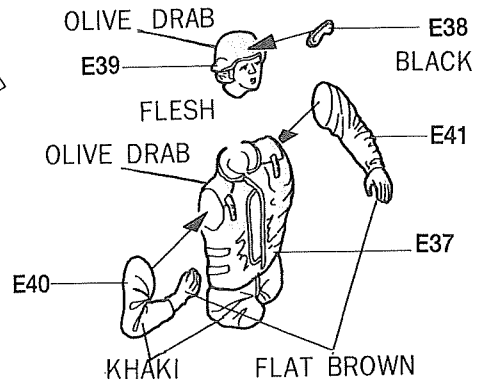


● Melt pins together with a heated screwdriver.

■ Mud Guards (Attach Last)

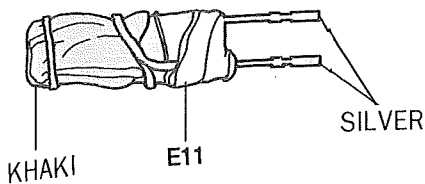
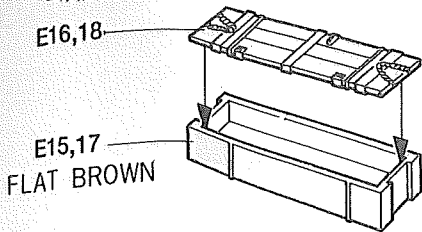


■ Figure



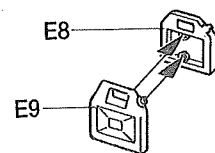
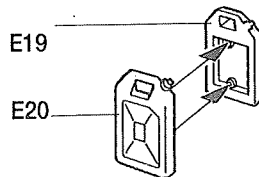
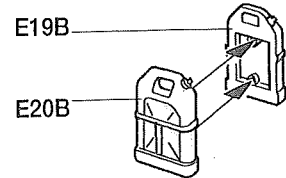
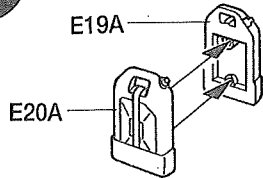
ASSEMBLY OF ACCESSORIES

■ Ammo Box



■ Jerry Cans

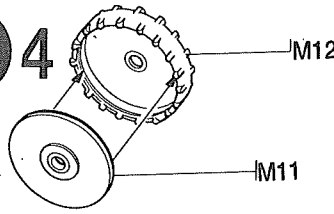
FLAT BLACK



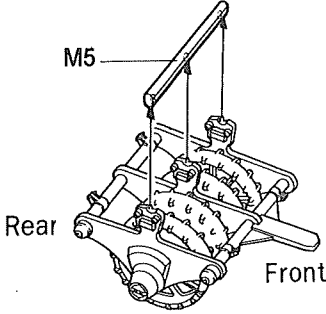
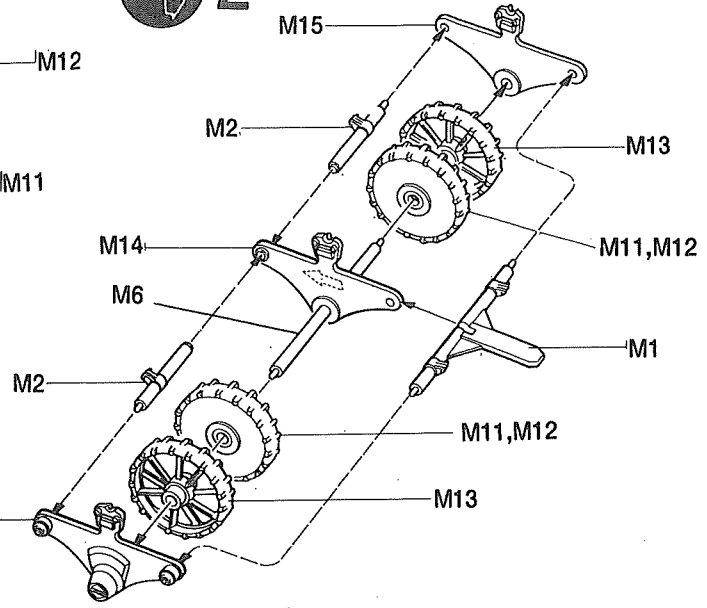
ROLLER ASSEMBLY



4



2

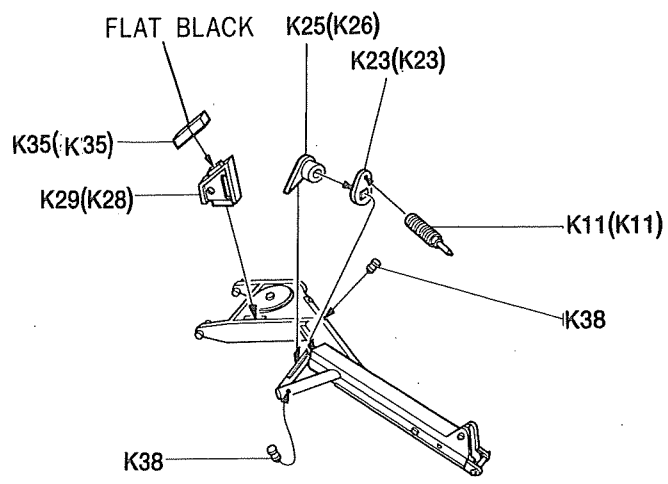
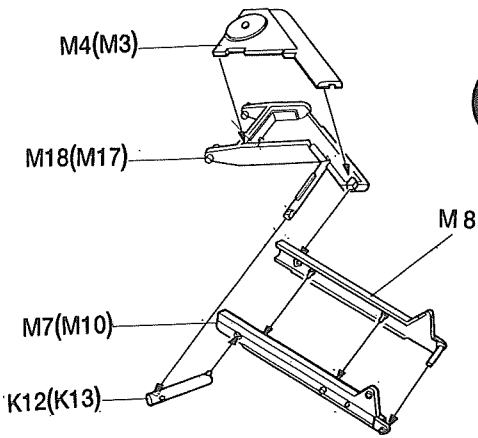


Rear Front

MOUNT ASSEMBLY



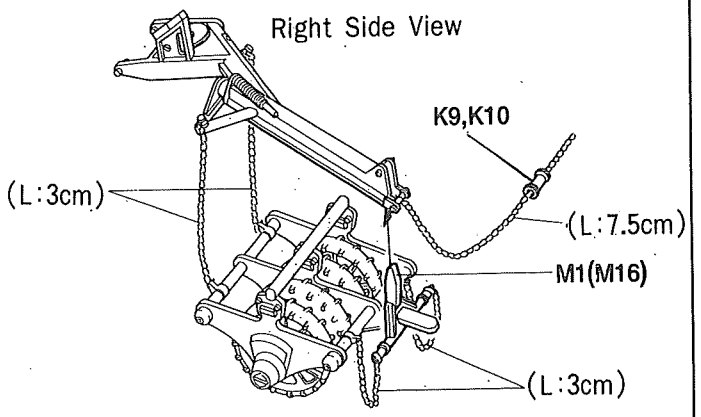
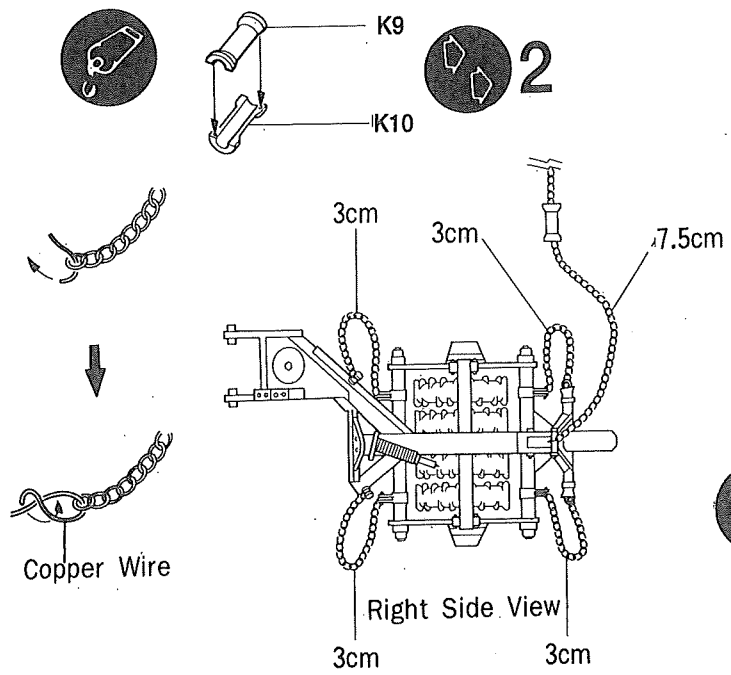
2



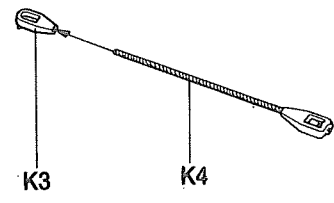
CHAIN ATTACHMENT



2

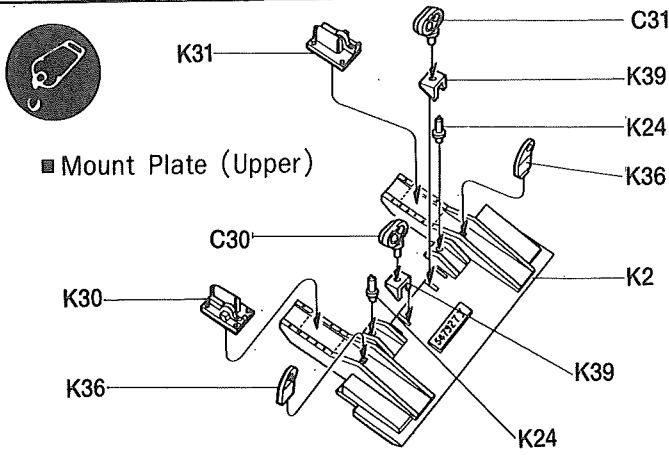


2



Copper Wire

FINAL ASSEMBLY



■ Mount Plate (Lower)

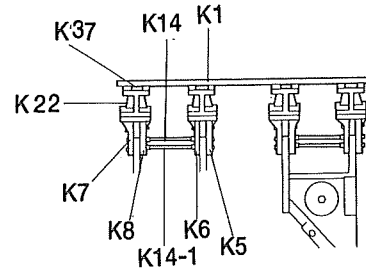
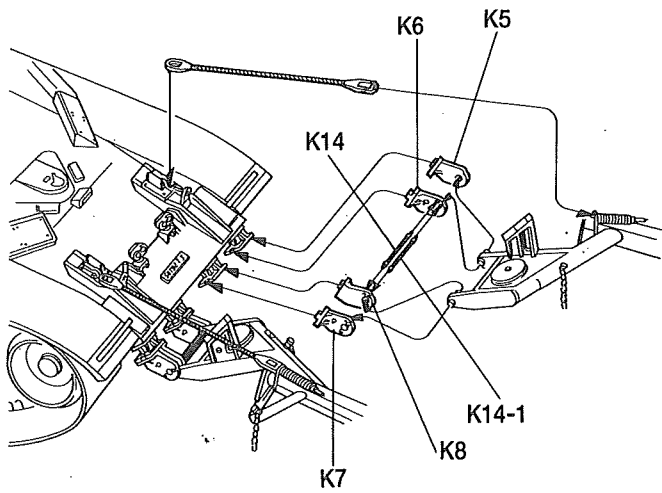
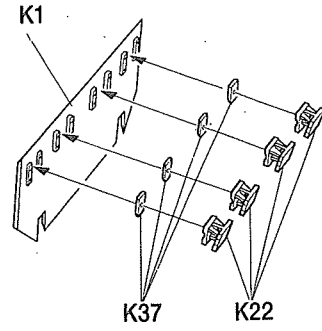
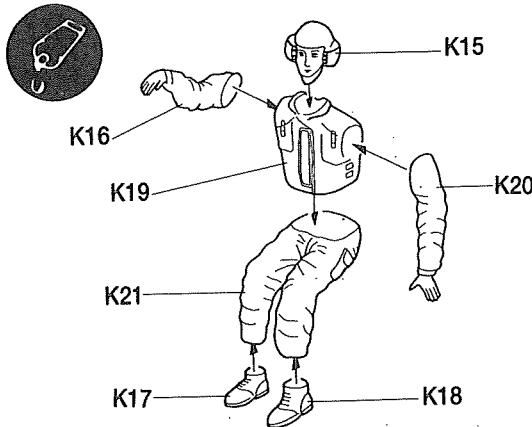
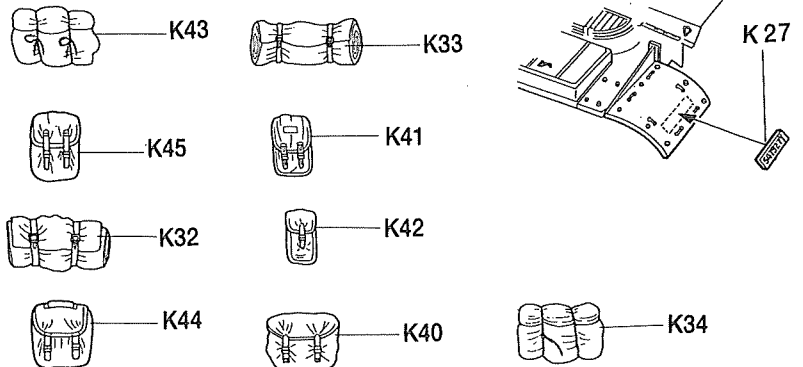


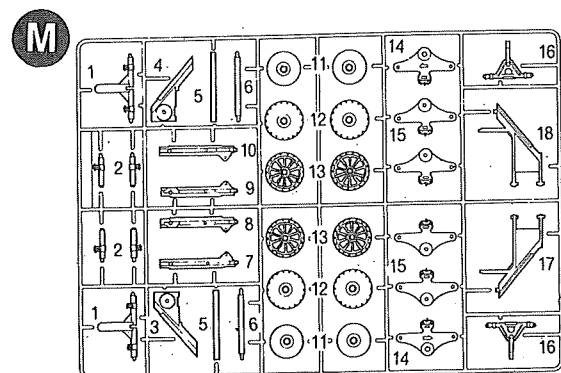
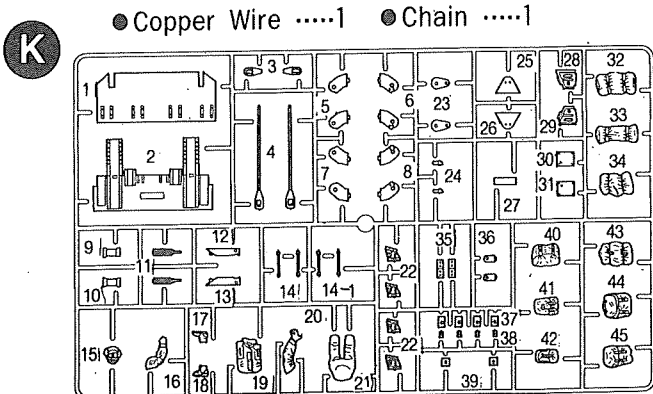
FIGURE AND ACCESORIES



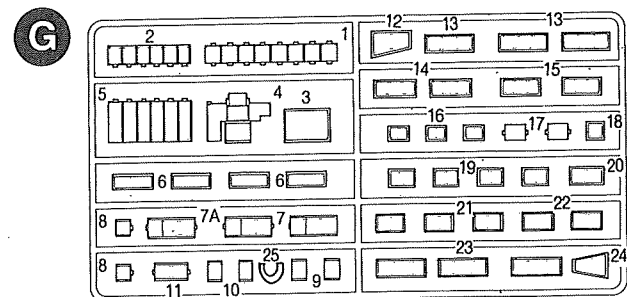
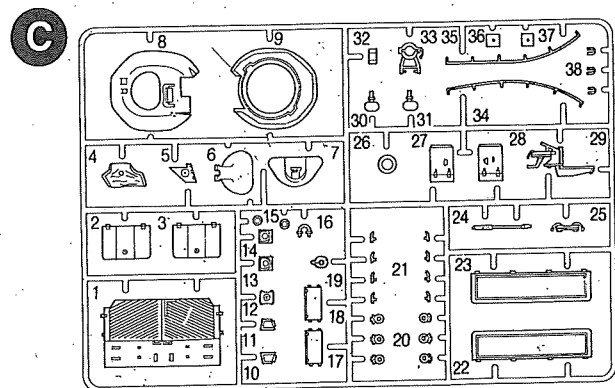
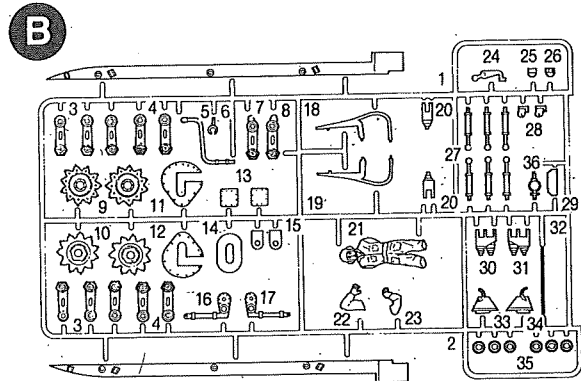
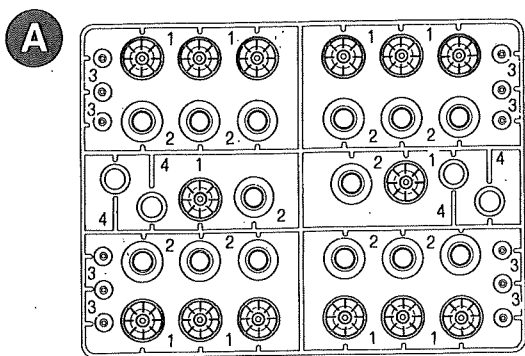
KHAKI or OLIVE DRAB



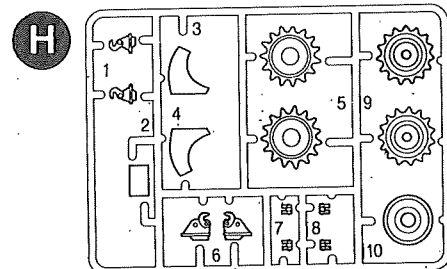
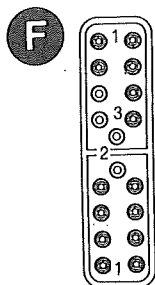
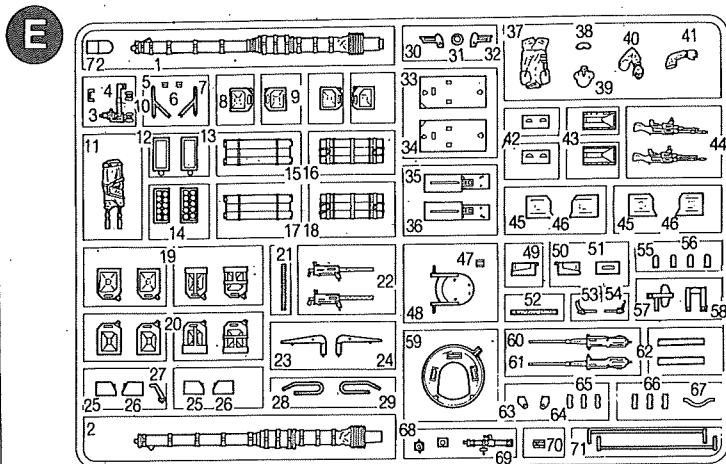
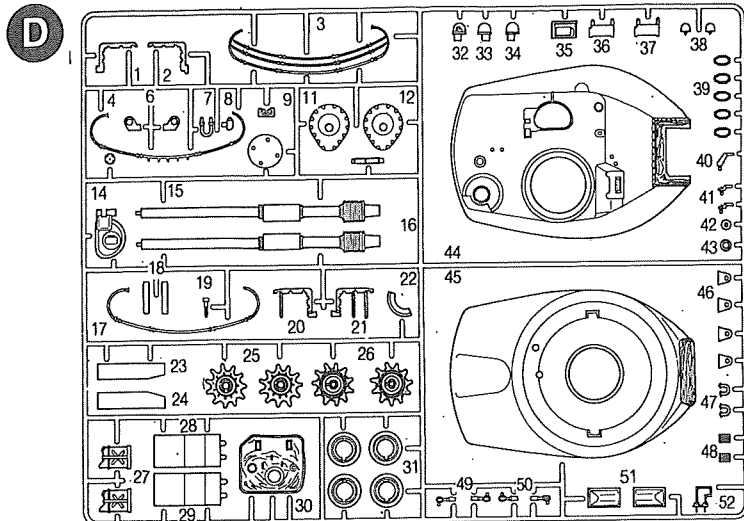
MINE ROLLER PARTS LOCATING DIAGRAM



PARTS LOCATING DIAGRAM



- DECAL ● TRACKS
- HULL (UPPER & LOWER) ● SCREEN MESH



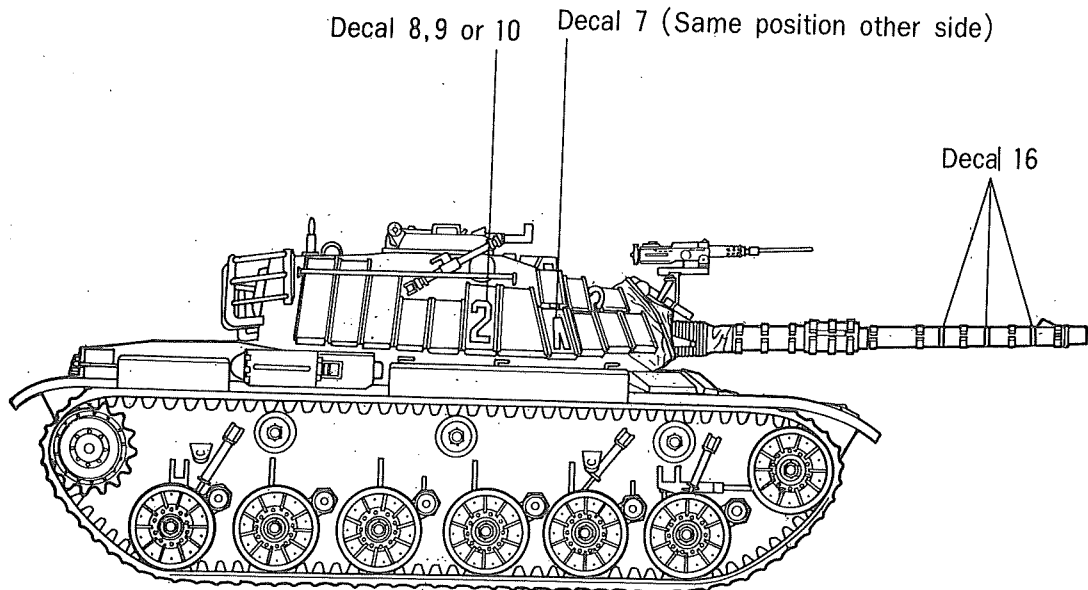
※ Unused Parts

- A: 4
- B: 5, 6, 9, 10, 14, 18, 19, 21, 22, 23, 28, 29, 36, 33, 34
- C: 4, 5, 6, 8, 9, 17, 18, 24, 25, 26, 27, 28, 29, 34, 35, 36, 37
- D: 7, 11, 12, 23, 24, 25, 26, 27, 28, 29, 31, 32, 37, 40, 41, 48, 49, 50, 51, 52
- G: 9, 16
- E: 28, 29, 70 H: 3, 4

ENGLISH	FRENCH	GERMAN	SPANISH	ITALIAN
BLACK	NOIR	SCHWARZ	NEGRO	NERO
SILVER	ARGENT	SILBERN	PLATA	ARGENTO
GUNMETAL	METALLIC	METALLIC	METALICO	METALLICO
GRAY	GRIS	GRAU	GRIS	GRIGIO
RED	ROUGE	ROT	ROJO	ROSSO
GREEN	VERT	GRUN	VERDE	VERDE
BROWN	BRUN	BRAUN	CANELA	MARRONE CHIARO
GOLD	DORE	GOLD	DORADO	ORO
FLESH	DE LA PEAU	HAUTFARBE	DE LA PIEL	DELLA PELLE
FLAT	TERNE	GLANZLOSES	APAGADO	OPACO
CLEAR	CLAIR	KLAR	CLARO	CHIARO

PAINING AND DECAL PLACEMENT DIAGRAM

Paint Overall : BUFF 80%
 DARK GRAY 10%
 FLAT GREEN 10%



Scratch-build from sheet plastic(not included) and attach as shown. Diagram is actual size.

