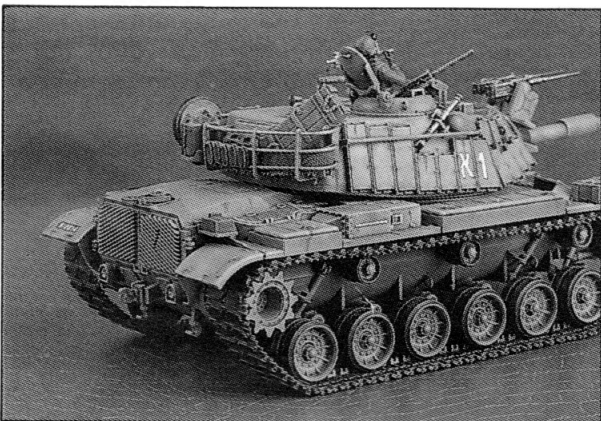




IDF MBT M60A1 BLAZER

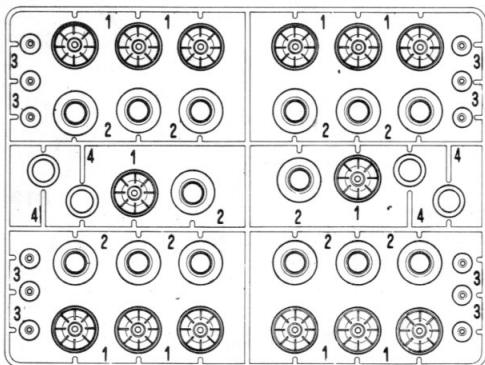
The **M60 Patton** can trace its heritage all the way back to the M26 Pershing Heavy Tank that made its initial appearance in 1943. By contemporary standards, the **M60** is tall, makes an easy target and is no match for the latest Main Battle Tank designs. However, the Israeli Defense Force has had to rely on the aging Patton and Centurion tanks for the bulk of its 4,000 unit MBT force. With only 400 or slightly more Merkava II and III at its disposal, the IDF, after countless modifications, has made the **Patton M60-A1** into a very effective fighting machine. By far, the most impressive "IDF modification" has been the addition of "Blazer" reactive armor boxes to the turret and upper body armor.

Reactive armor explodes on contact, destroying or at least deflecting an incoming anti-tank round that might otherwise have penetrated and destroyed the tank and its crew. In the ongoing mini-war of Lebanon, the Blazer armored **Pattons** have survived countless ambushes, skirmishes and full-scale battles. In fact, the basic Blazer armor design has been adopted by the Soviets and many western countries. It is anticipated that the IDF will continue to use the **M60-A1 Patton** well into the 21st century.

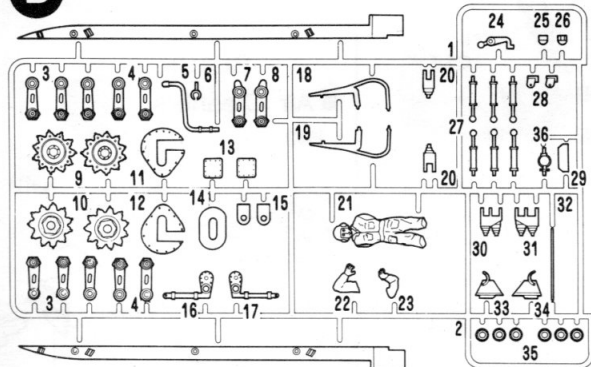


PARTS LOCATING DIAGRAM

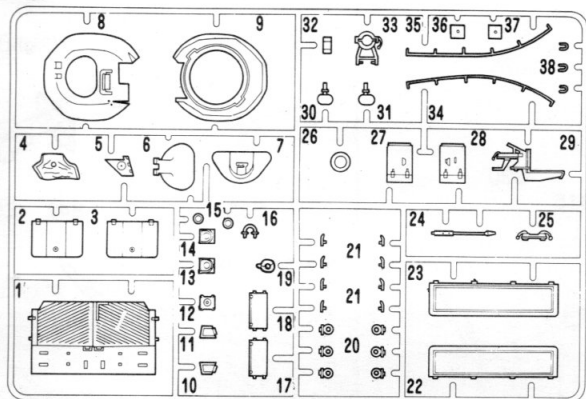
A



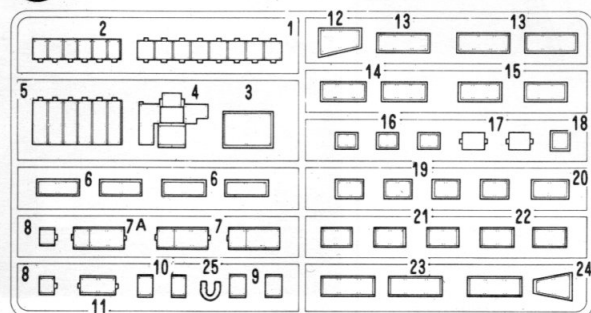
B



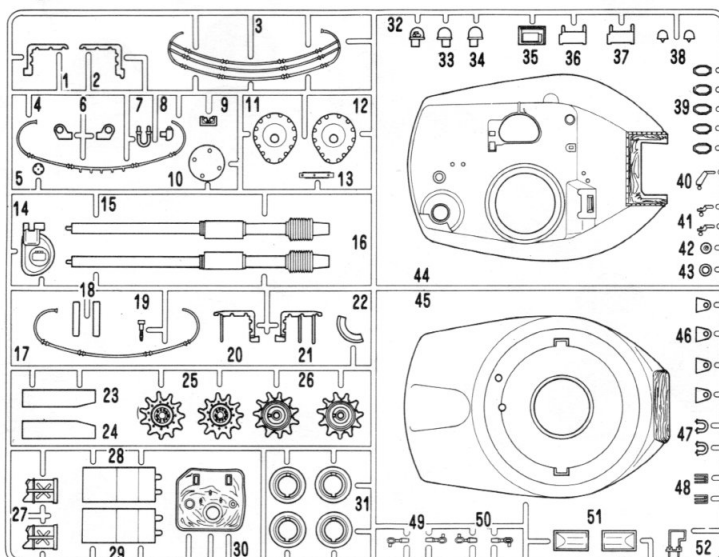
C



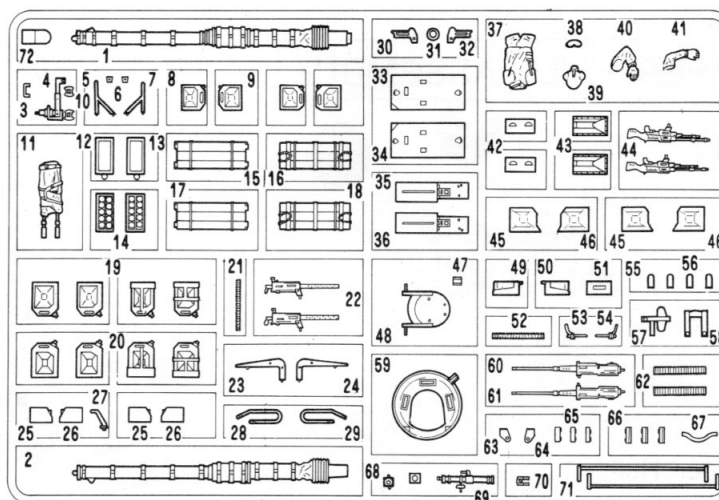
G



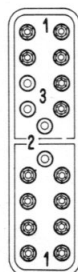
D



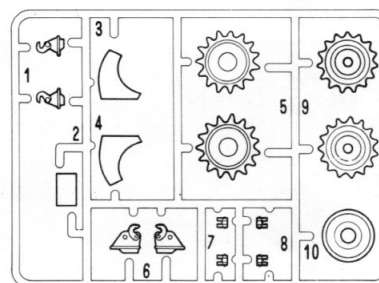
E



F



H

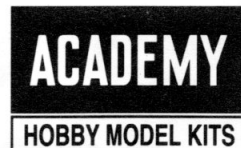


● **Unnecessary Parts**

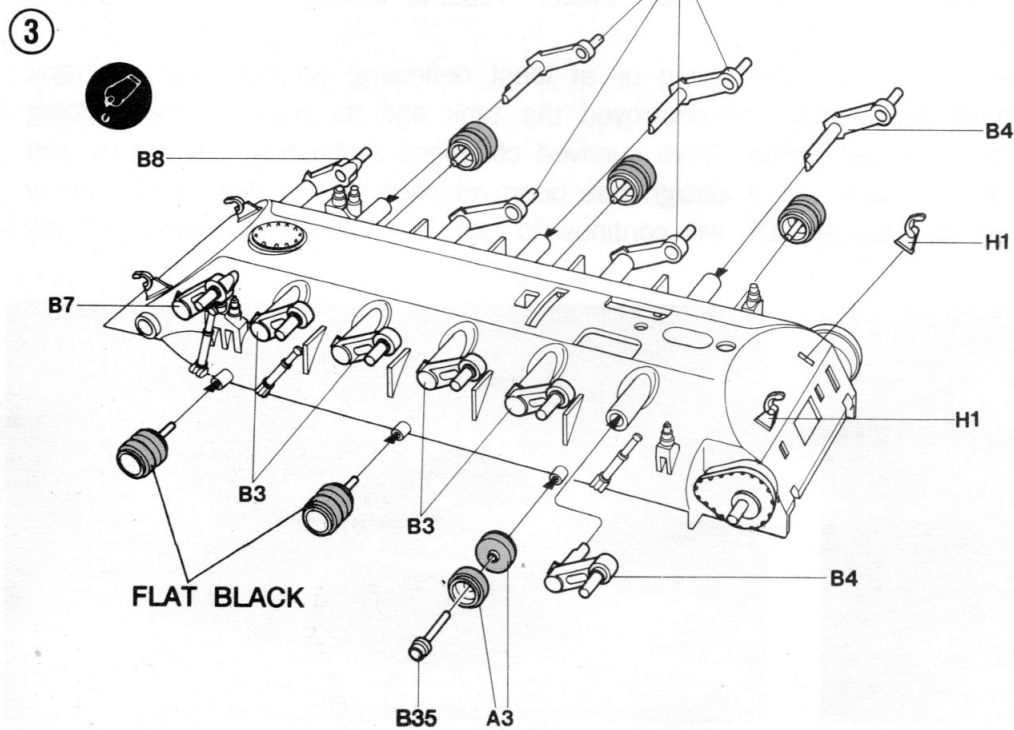
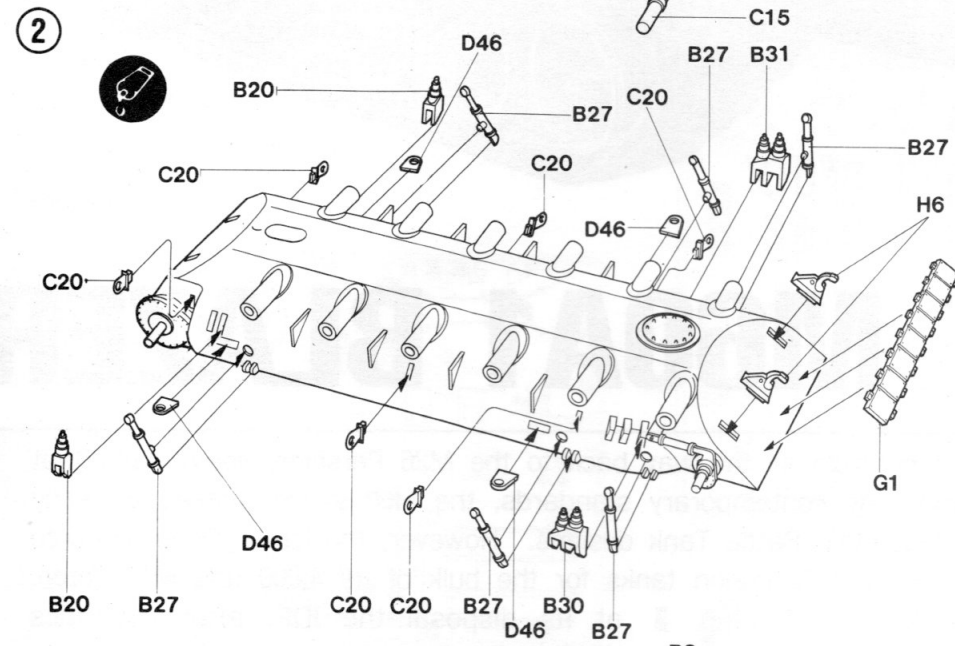
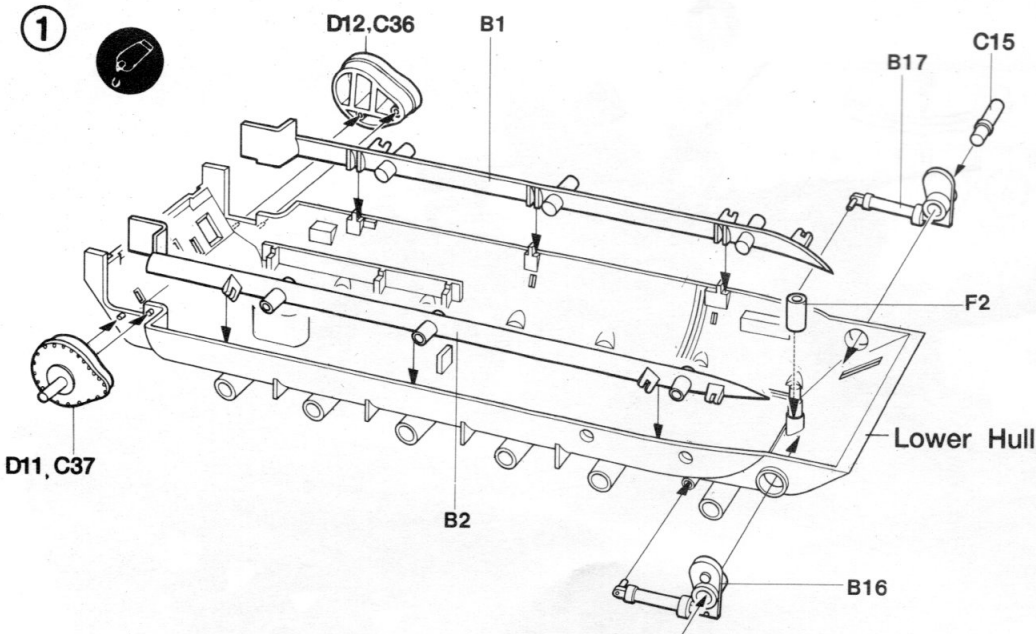
- A; 4
- B; 5,6,9,10,11,12,14,18,19,21,22,23,28,29,36,33,34,
- C; 4,5,6,8,9,17,18,24,25,26,27,28,29,34,35,
- D; 7,23,24,25,26,27,28,29,31,32,37,40,41,48,49,50,51,52,
- E; 70

- **HULL (UPPER & LOWER)**
- **SCREEN MESH**
- **DECAL**
- **TRACKS**

ENGLISH	FRENCH	GERMAN	SPANISH	ITALIAN
BLACK	NOIR	SCHWARZ	NEGRO	NERO
SILVER	ARGENT	SILBERN	PLATA	ARGENTO
GUNMETAL	METALLIC	METALLIC	METALICO	METALLICO
GRAY	GRIS	GRAU	GRIS	GRIGIO
RED	ROUGE	ROT	ROJO	ROSSO
GREEN	VERT	GRUN	VERDE	VERDE
BROWN	BRUN	BRAUN	CANELA	MARRONE CHIARO
GOLD	DORE	GOLD	DORADO	ORO
FLESH	DE LA PEAU	HAUTFARBE	DE LA PIEL	DELLA PELLE
FLAT	TERNE	GLANZLOSES	APAGADO	OPACO
CLEAR	CLAIR	KLAR	CLARO	CHIARO



LOWER HULL ASSEMBLY



Cement Parts
 Coller
 Kleben
 Pegar
 Incollare
 Cola
 Kleven

DO NOT cement
 Ne pas coller
 Nicht kleben
 No pegar
 Non incollare
 Nao colar
 Niet kleven

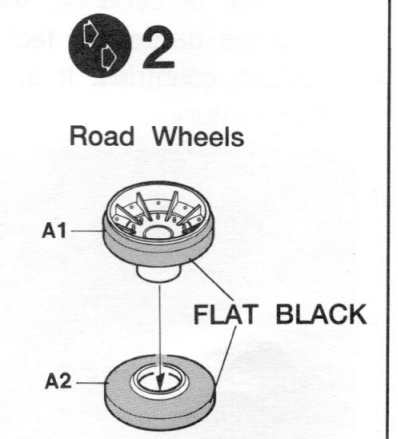
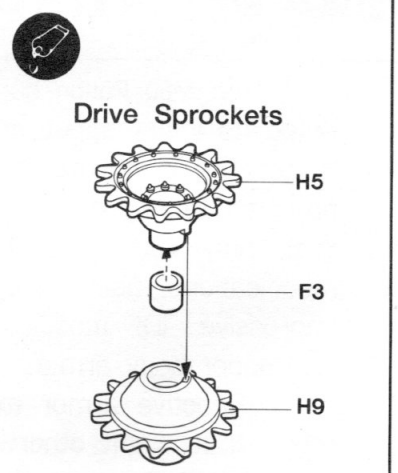
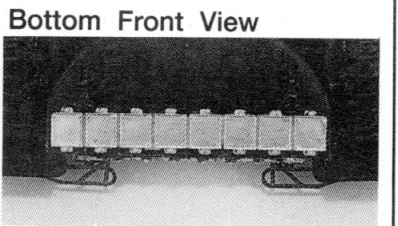
Cut away
 Couper
 Scheiden
 Cortar
 Tagliare
 Cortar
 Snijden

Optional parts
 Choix
 Auswahlmöglichkeit
 Eleccion
 Scelta
 Opcao
 Keuze

3
 Repeat operation
 Répéter l'opération
 Vorgang wiederholen
 Repetir la operación
 Ripetere
 Repetir a operação
 Herhalen

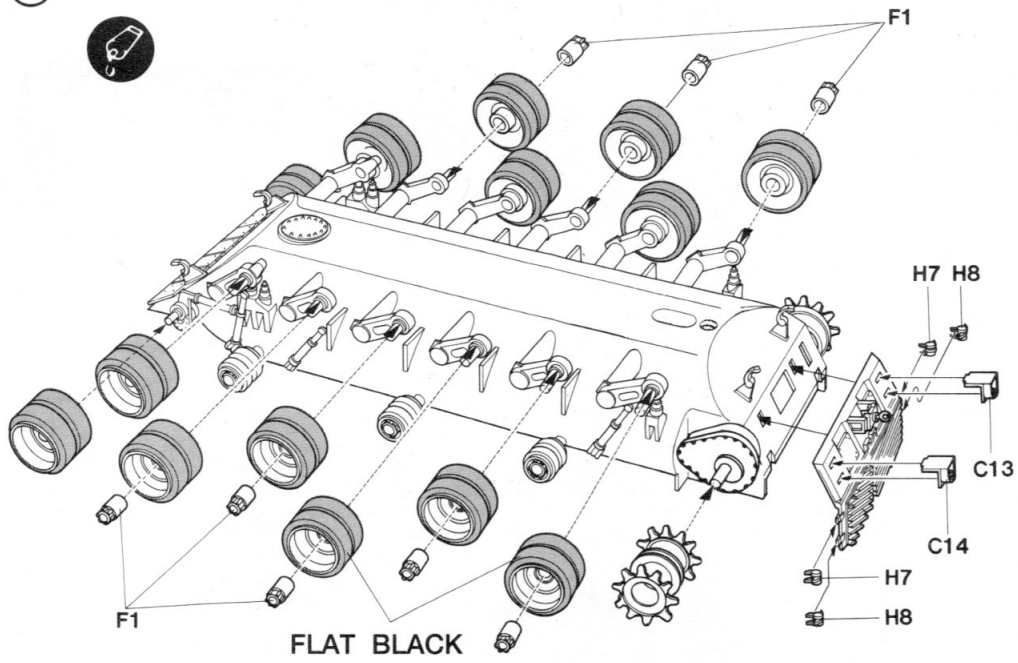
**ACADEMY
 MINICRAFT**

Opposite: C37, D11



14

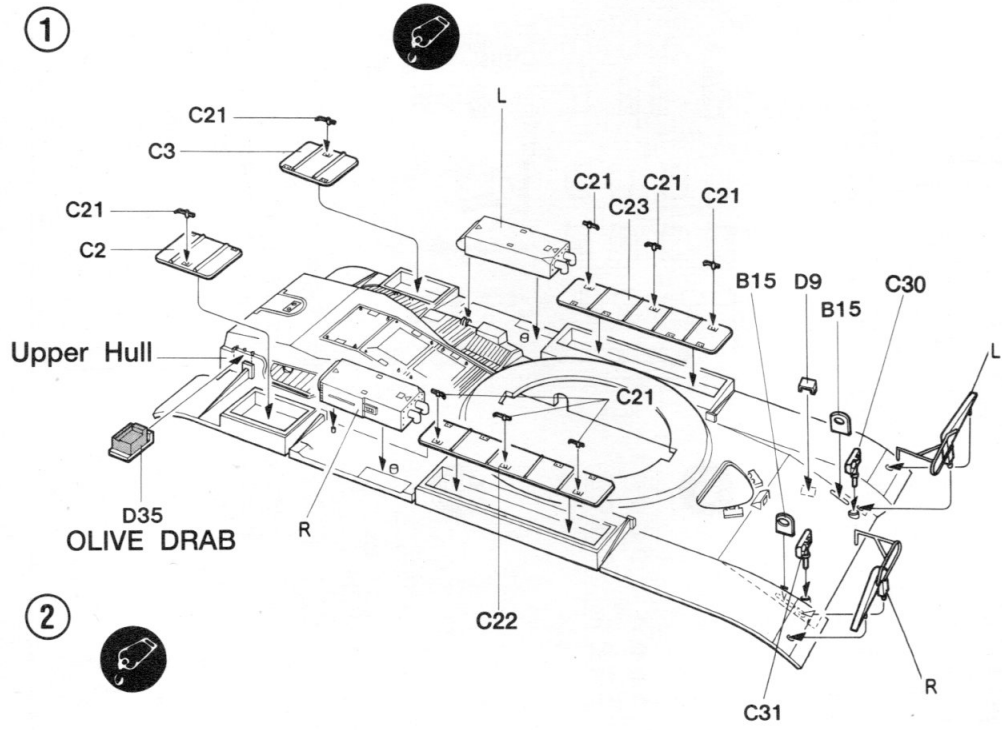
4



FLAT BLACK

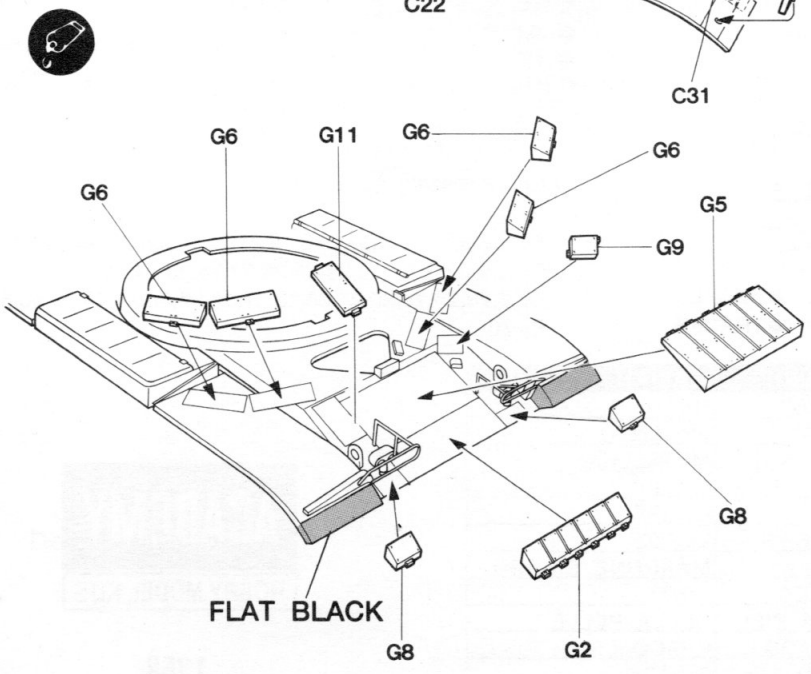
UPPER HULL ASSEMBLY

1

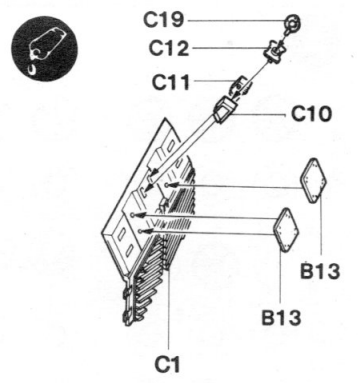


FLAT BLACK

2



Rear Panel

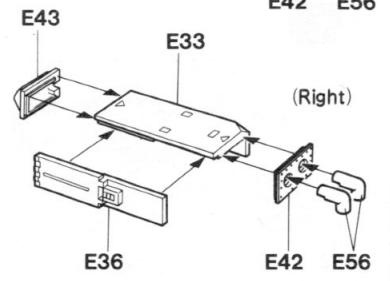
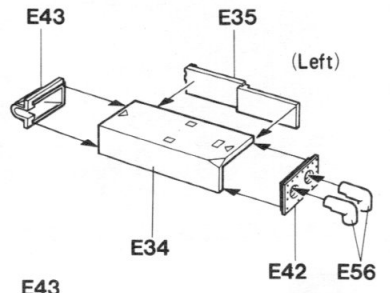


Tail Light

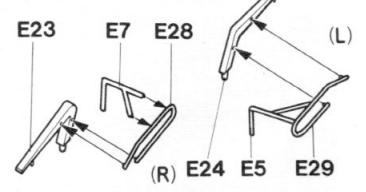


BLACK

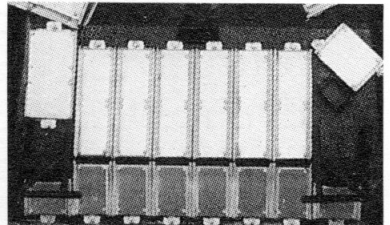
Air Cleaners



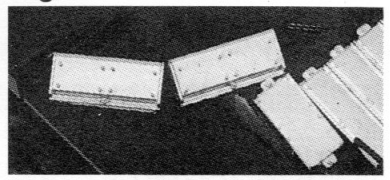
Light Guards



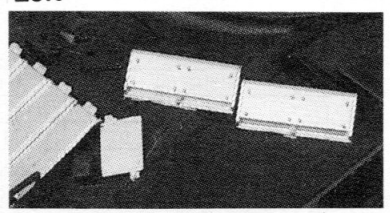
Top Frontal Area Views



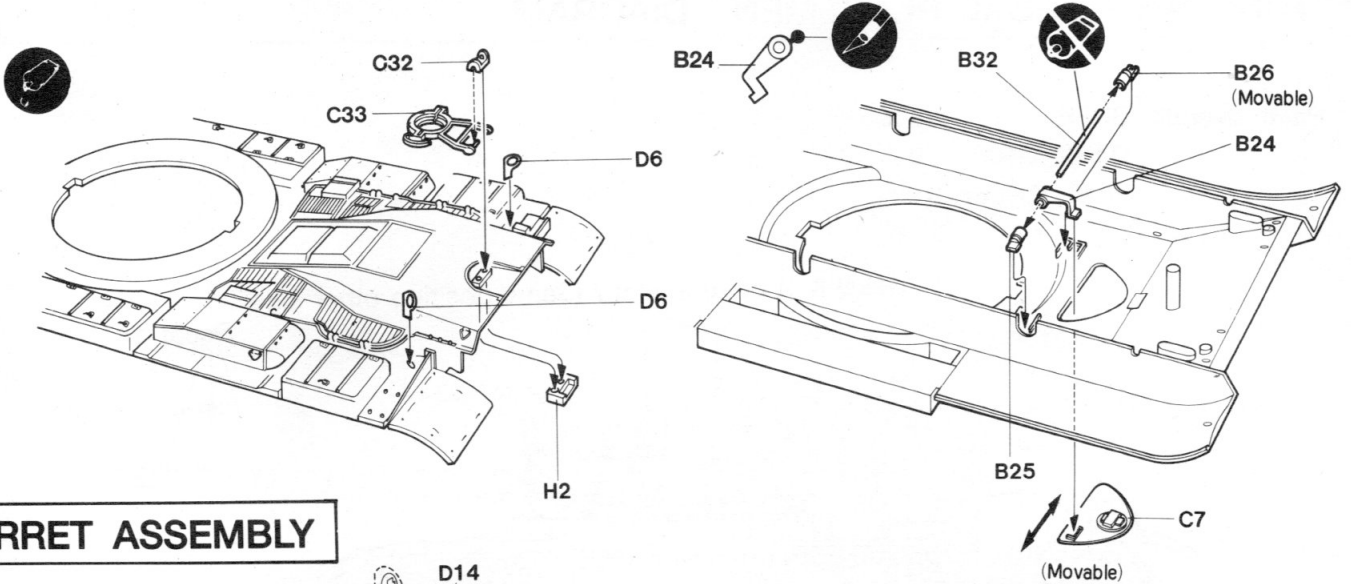
Right



Left

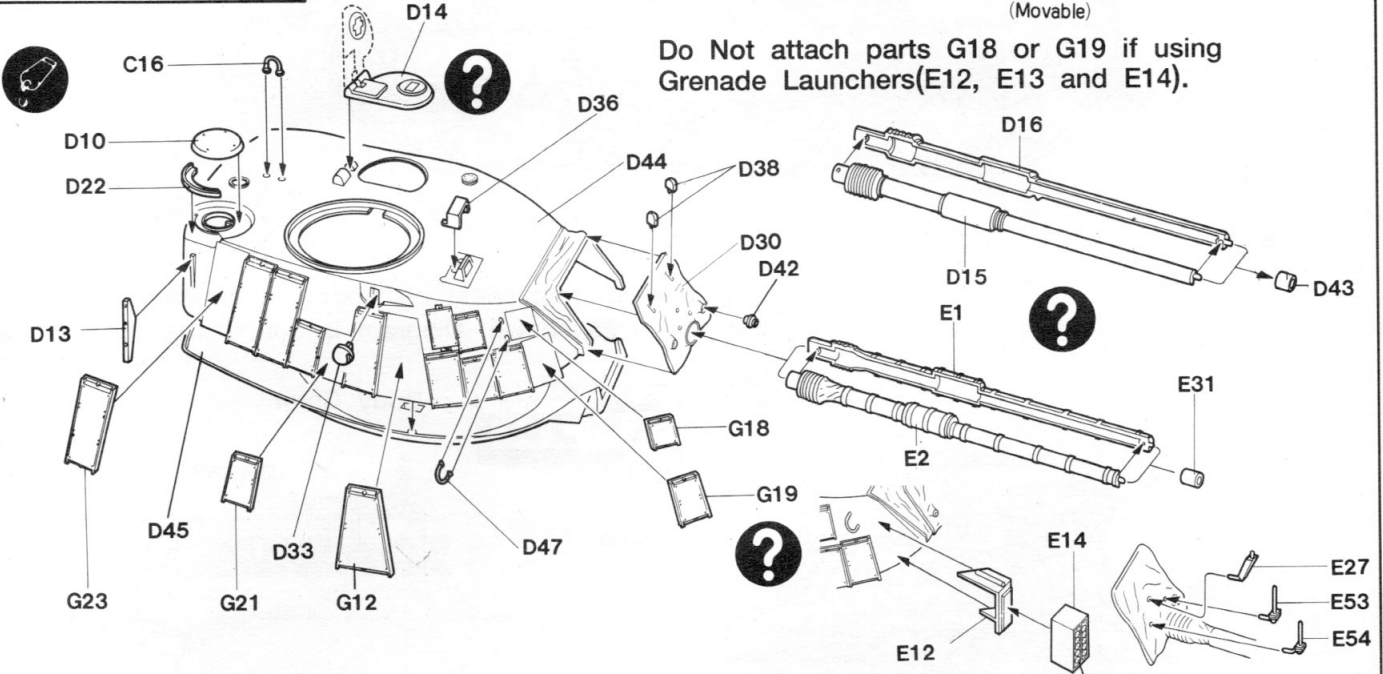


3

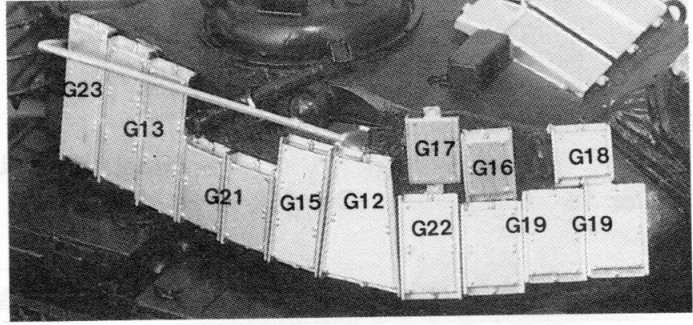


TURRET ASSEMBLY

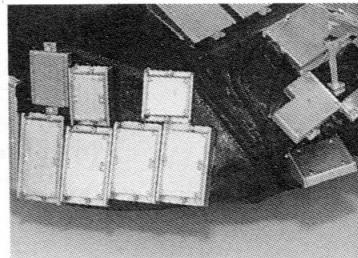
1



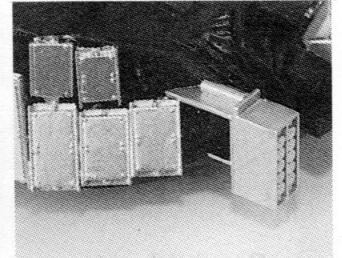
Right Side View



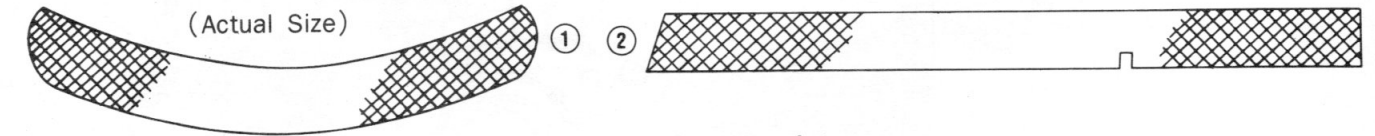
Right Front View w/G18,G19



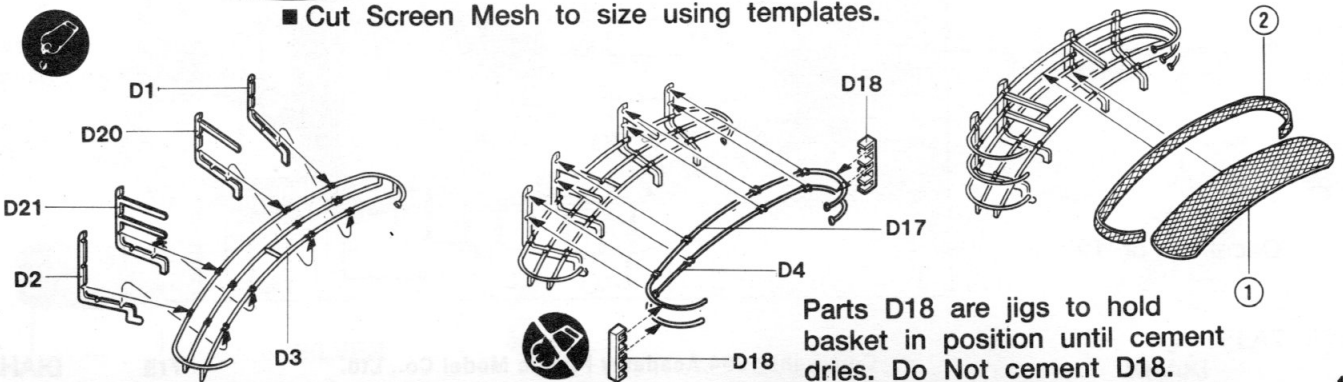
Right Front View w/E12,E14



2

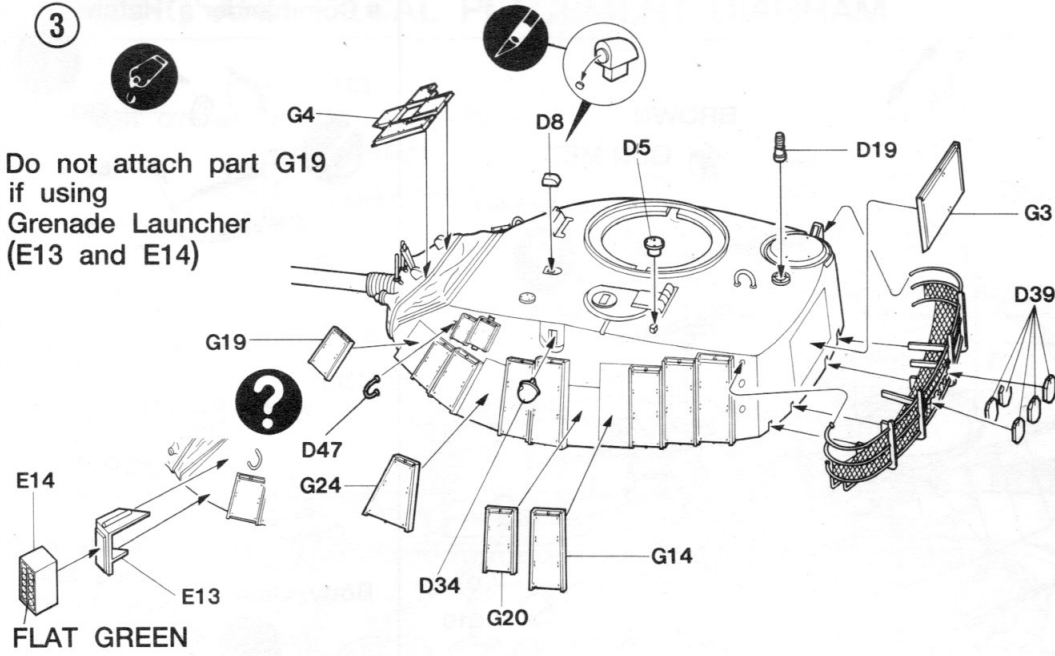


■ Cut Screen Mesh to size using templates.



3

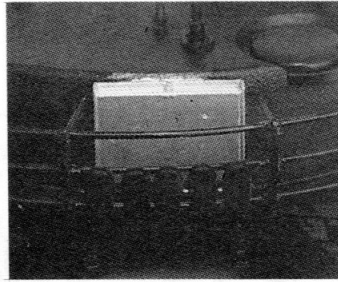
Do not attach part G19 if using Grenade Launcher (E13 and E14)



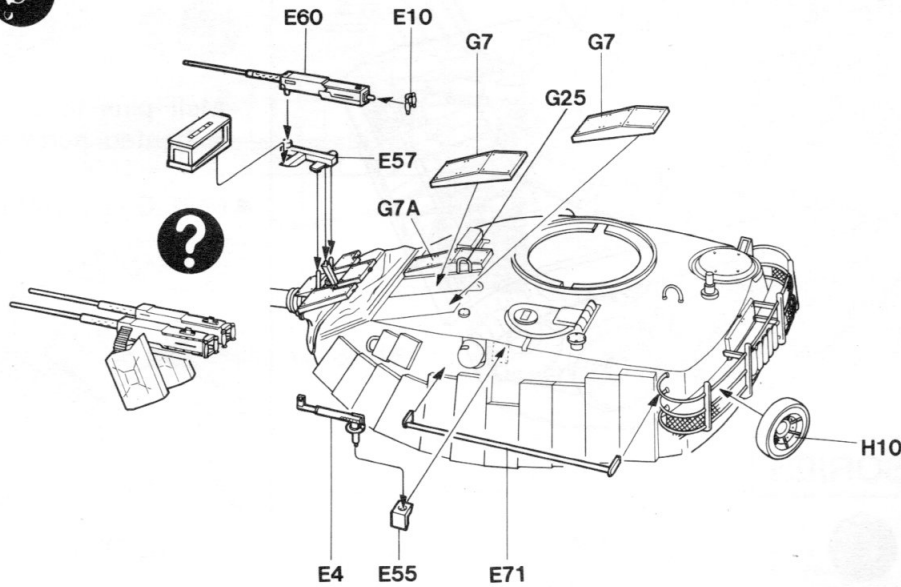
Left Side View



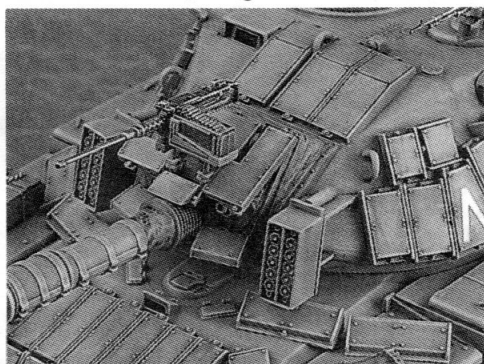
Rear View



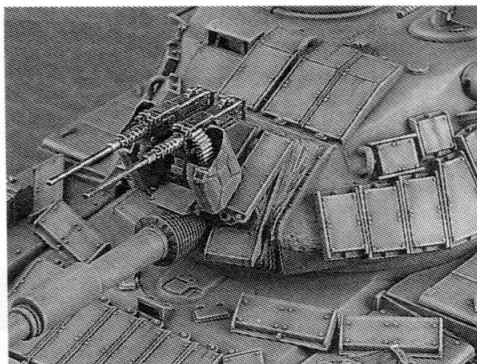
4



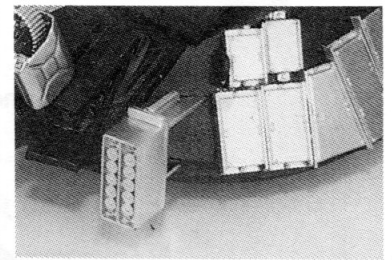
Front View w/single 50 Caliber



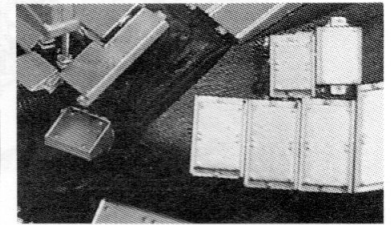
Front View w/dual 50 Caliber



Left Front View w/E13, E14

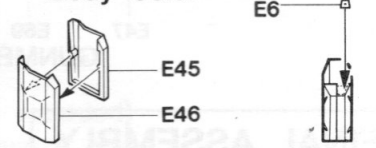


Left Front View w/G19



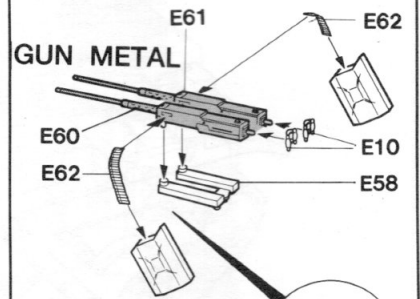
Machine Gun Assemblies

Body Color



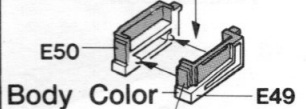
2

50 Caliber

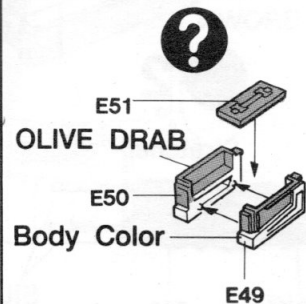


*Carefully heat rounds and bend to fit.

BLACK
GOLD



OLIVE DRAB

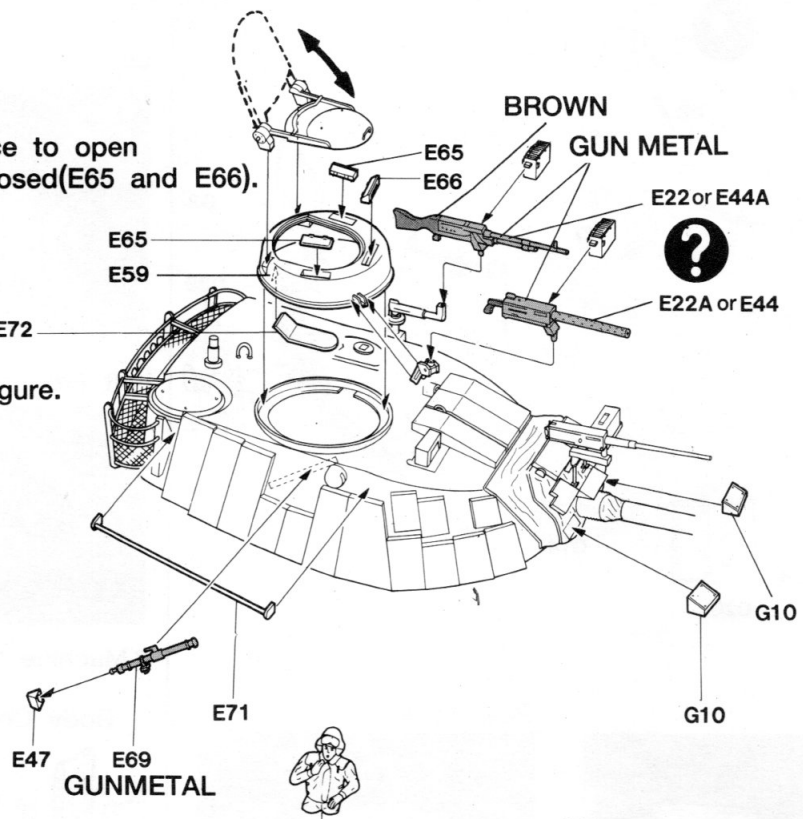


5

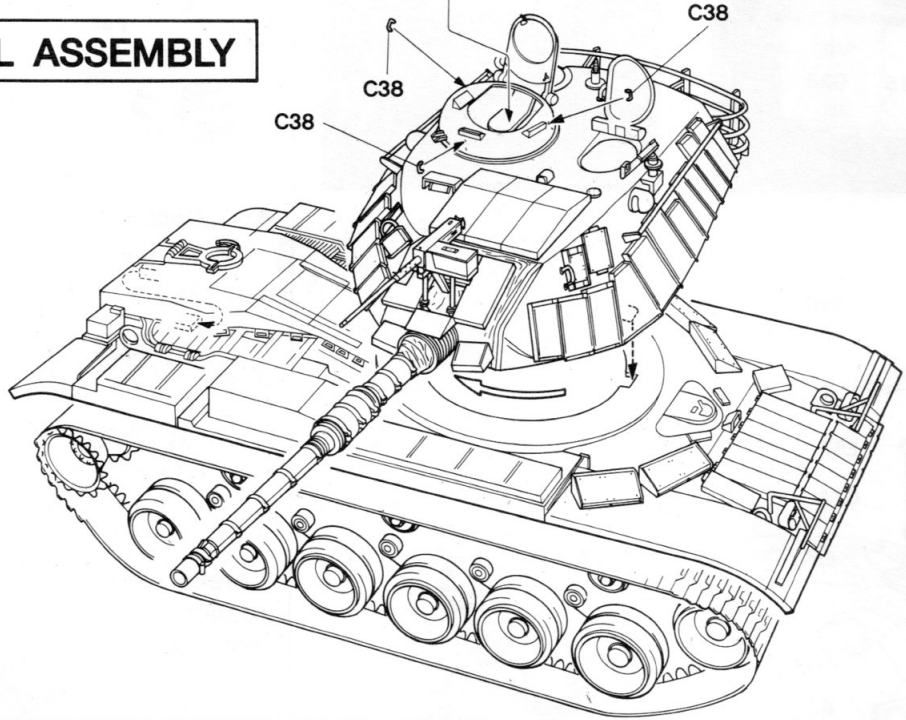


Choice to open or closed (E65 and E66).

Use only with Commander figure.

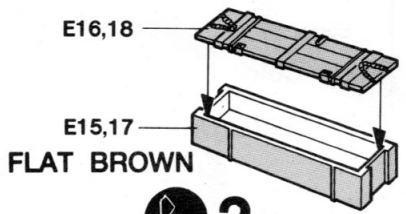


FINAL ASSEMBLY



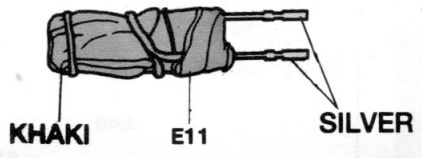
ASSEMBLY OF ACCESSORIES

Ammo Box



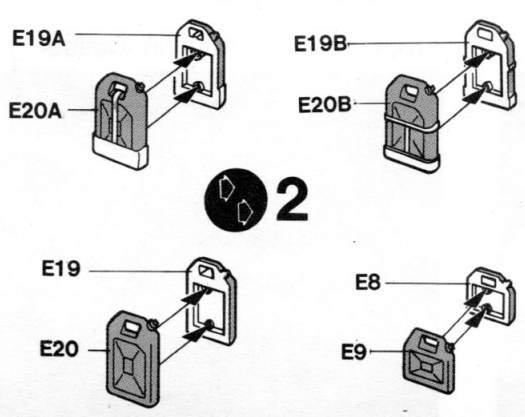
2

Stretcher



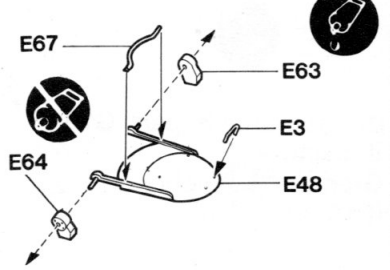
Jerry Cans

FLAT BLACK



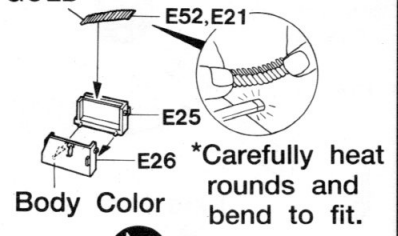
2

■ Commander's Hatch

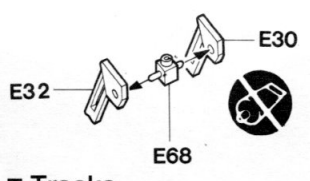


■ 7.62mm

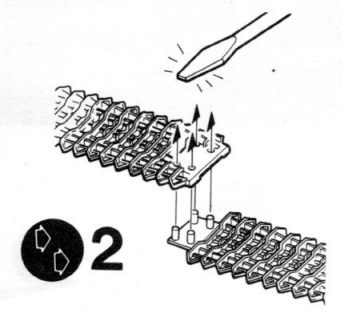
GOLD



2



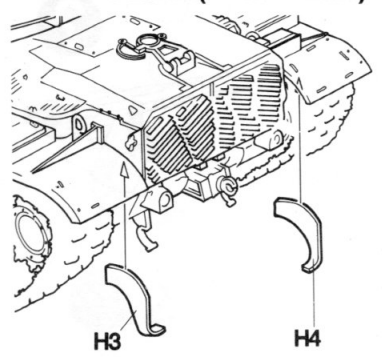
■ Tracks



2

• Melt pins together with a heated screwdriver.

■ Mud Guards (Attach Last)

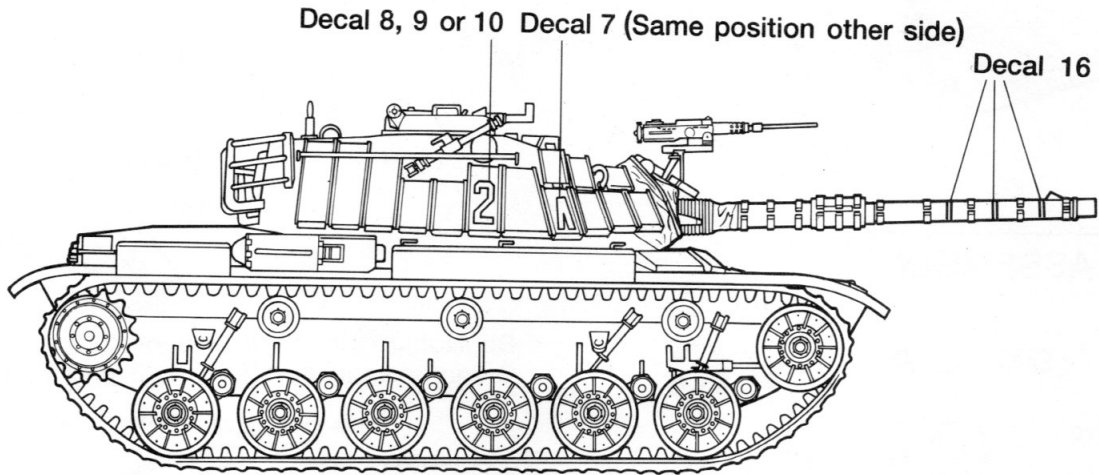


■ Figure



PAINTING AND DECAL PLACEMENT DIAGRAM

Paint overall: BUFF 80%
 DARK GRAY 10%
 FLAT GREEN 10%



Scratch-build from sheet plastic(not included)
 and attach as shown. Diagram is actual size.

