

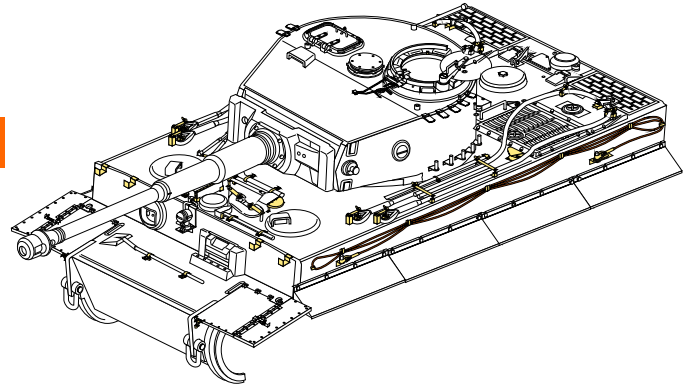
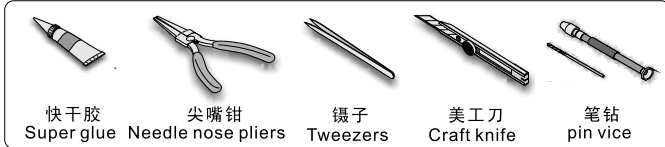
1/16 MILITARY MINIATURE VEHICLE UPGRADE SERIES PE16009










WWII German Tiger I MID Production Basic


二战德军虎型坦克中期型改造件基本改造件

[For TRUMPETER/TAMIYA]

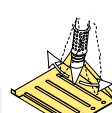
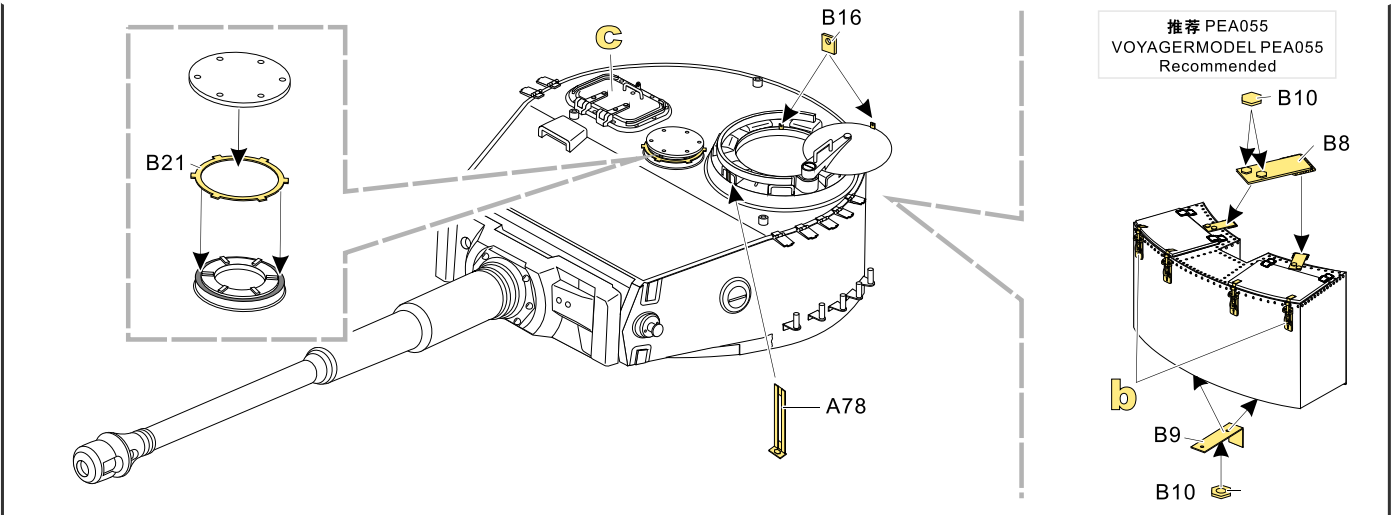
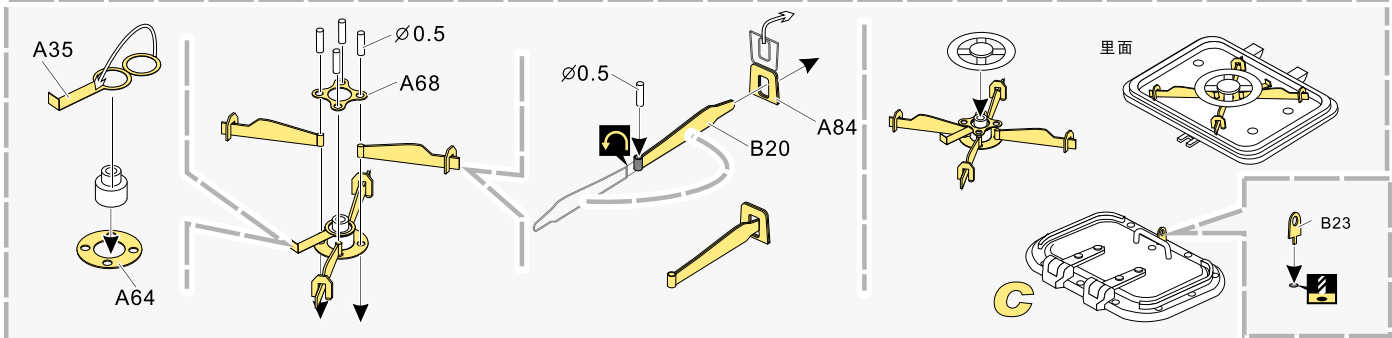
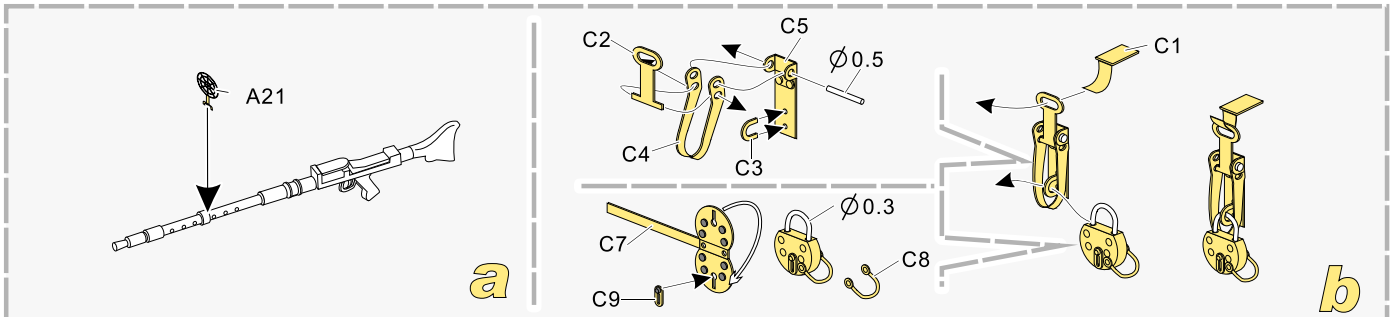
推荐使用工具 RECOMMENDED TOOLS



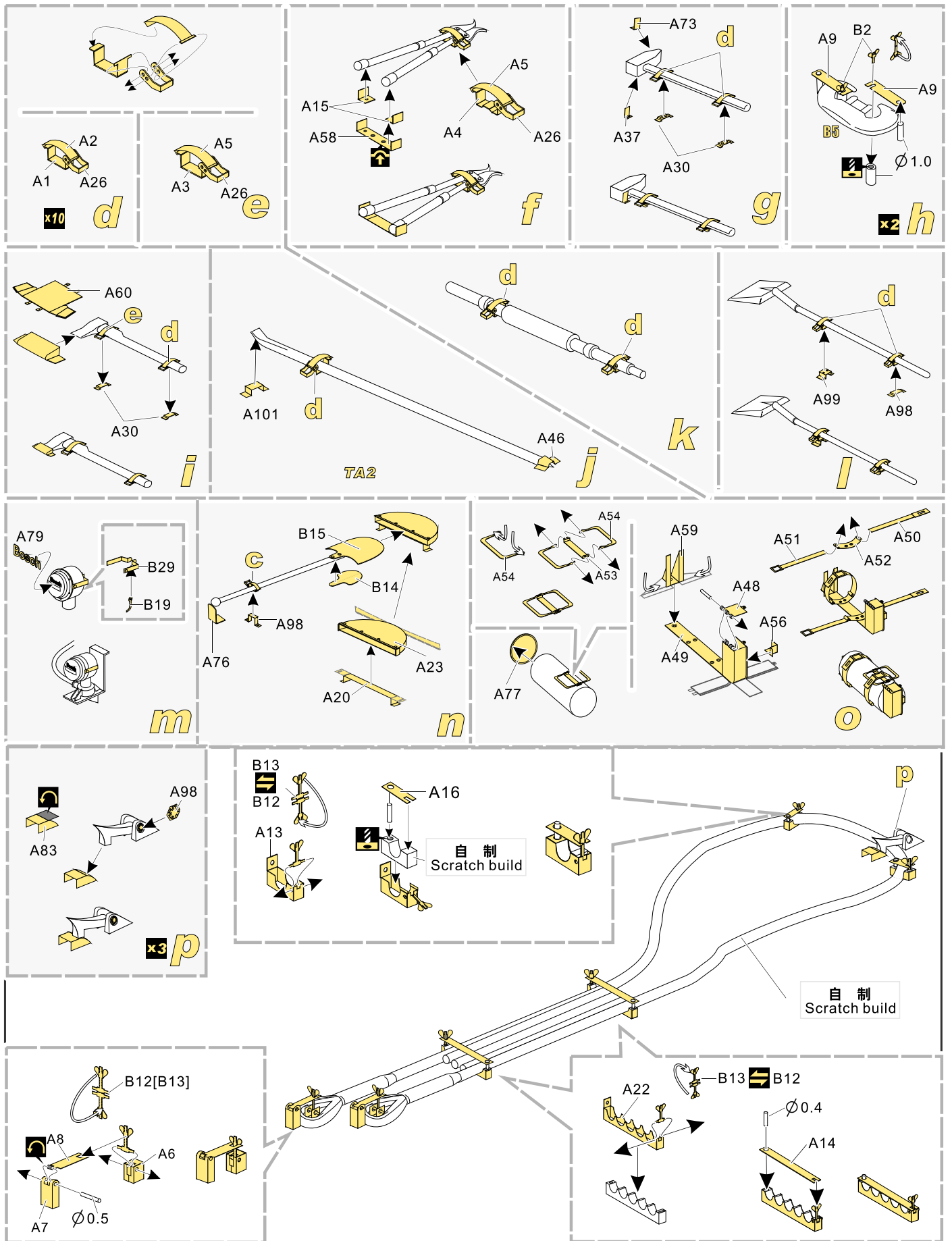
- 
安装
install
- 
折叠
bend
- A1**
改造件零件编号
PE/resin part number
- B12**
原零件编号
kit part number
- C22**
被替换的原零件编号
replaced kit part number
- 
 另一侧相同制作
repeat on opposite side
- 
切除
remove
- 
填补
fill
- 
弧度卷曲
radial bending
- x2**
制作若干组
multiple assembly
- 
选择安装
alternative
- 
钻孔
drill
- 
用胶棒制作
make from plastic rod


 用尖端在凹槽处冲压
use penpoint to press on the dent

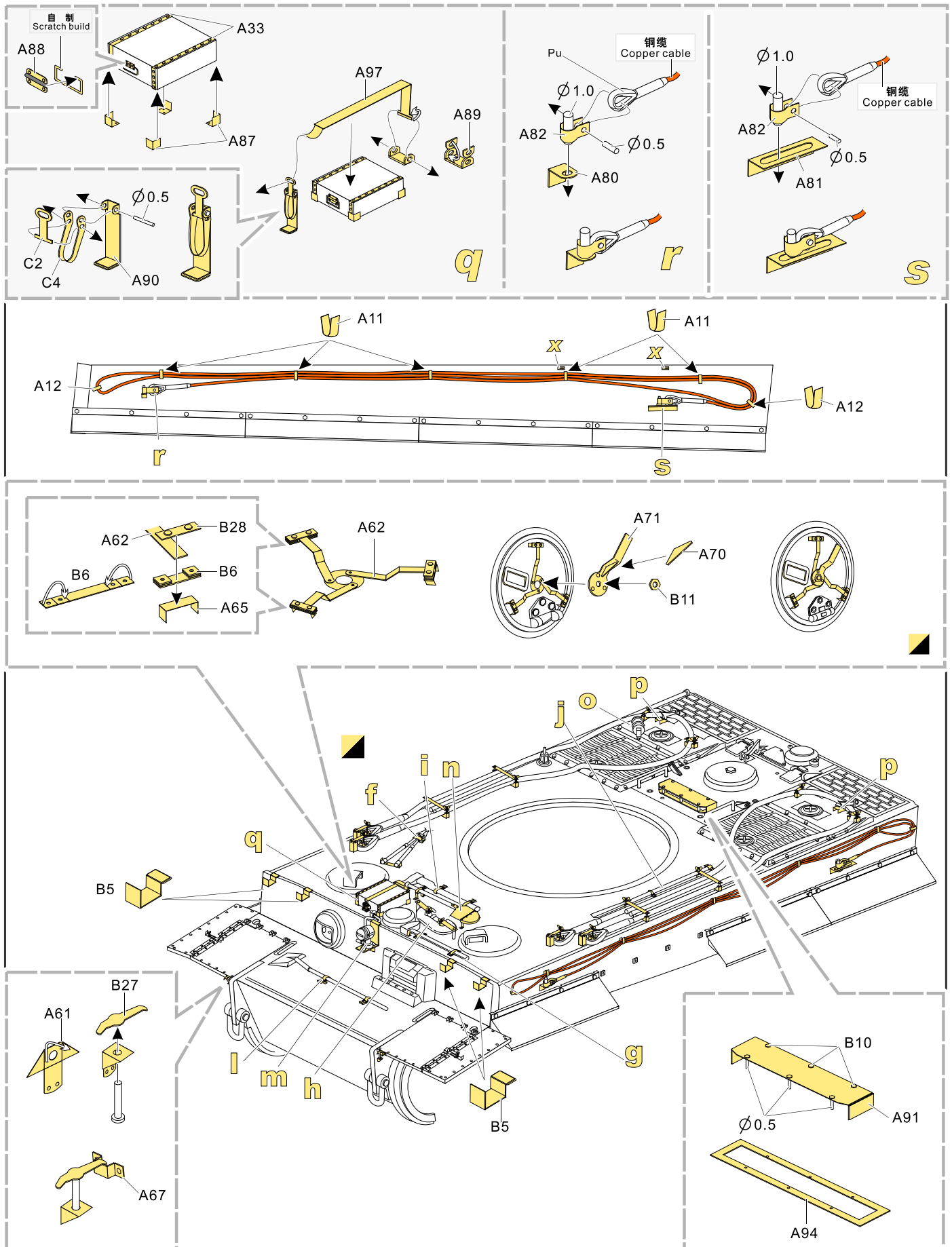
蚀刻片零件内朝面向上
Put the part upside down
用笔尖在凹槽处刺
Use penpoint to press on the dent

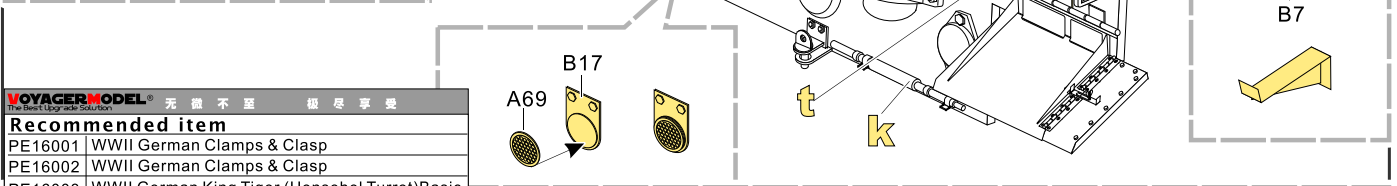
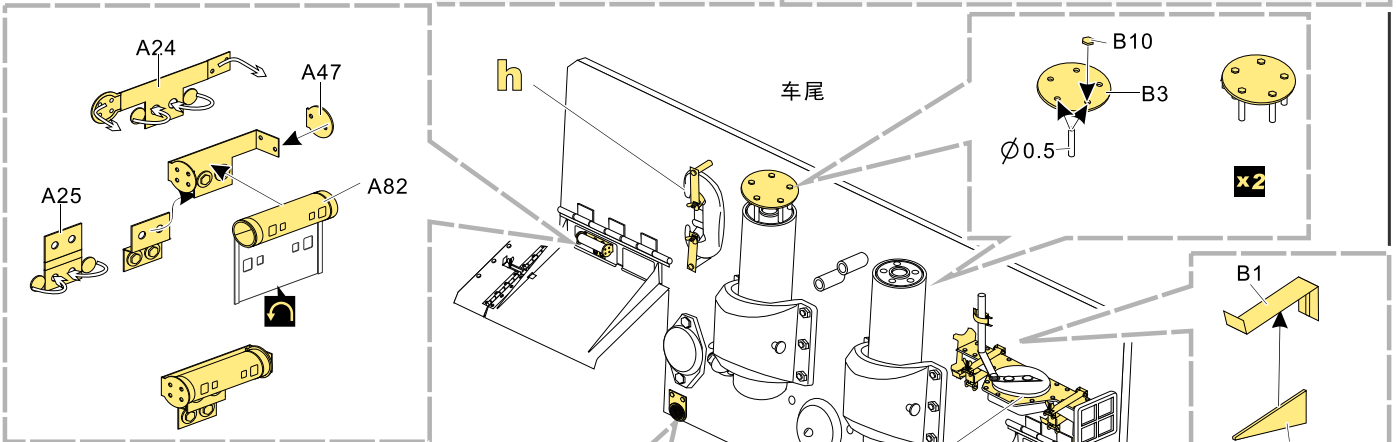
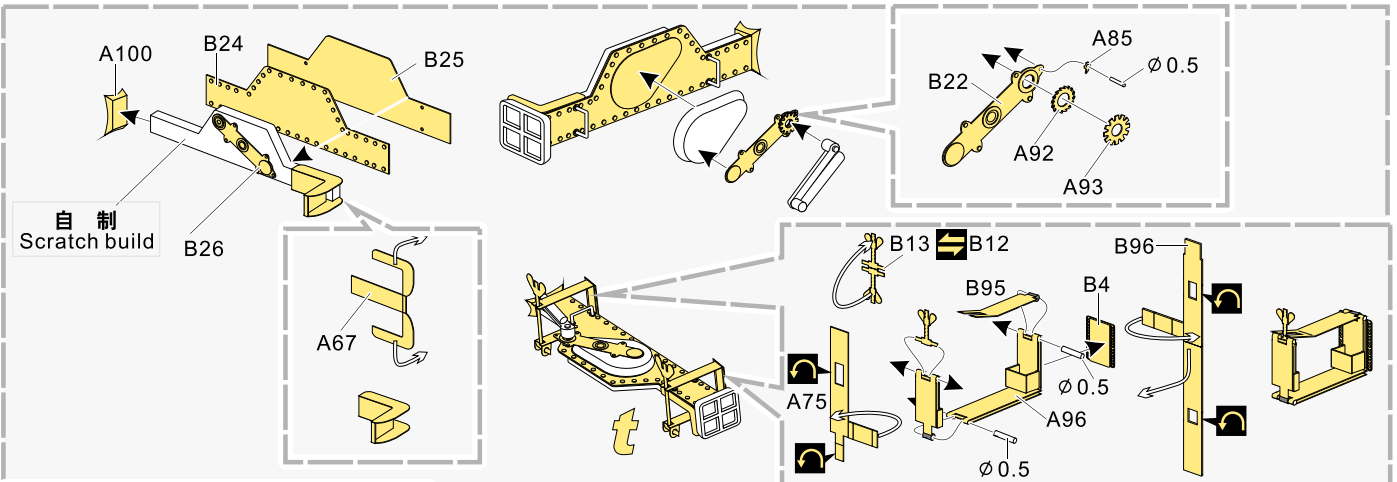
1/16 MILITARY MINIATURE VEHICLE UPGRADE SERIES PE16009



1/16 MILITARY MINIATURE VEHICLE UPGRADE SERIES PE16009



1/16 MILITARY MINIATURE VEHICLE UPGRADE SERIES PE16009



VOYAGERMODEL® 无微不至 极尽享受

Recommended item

| | |
|---------|---|
| PE16001 | WWII German Clamps & Clasp |
| PE16002 | WWII German Clamps & Clasp |
| PE16003 | WWII German King Tiger (Hensehel Turret)Basic |
| PE16004 | WWII German King Tiger (Hensehel Turret) grills |
| PE16005 | WWII German King Tiger (Porsche Turret)Basic |
| PE16006 | WWII German King Tiger (Porsche Turret) grills |
| PE16007 | WWII German King Tiger Fenders(early type) |
| PE16008 | WWII German King Tiger Skirts |
| PE16010 | WWII German Tiger I side skirts |
| PE16011 | WWII German Tiger I Fenders |
| PE16012 | WWII German Tiger I grills |

