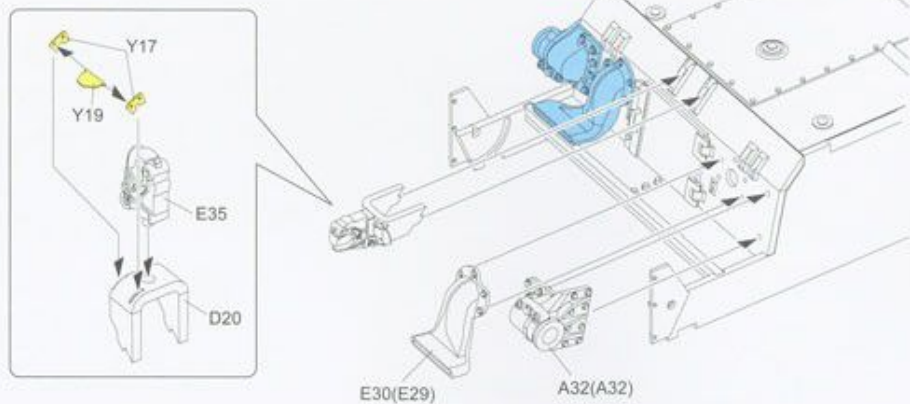
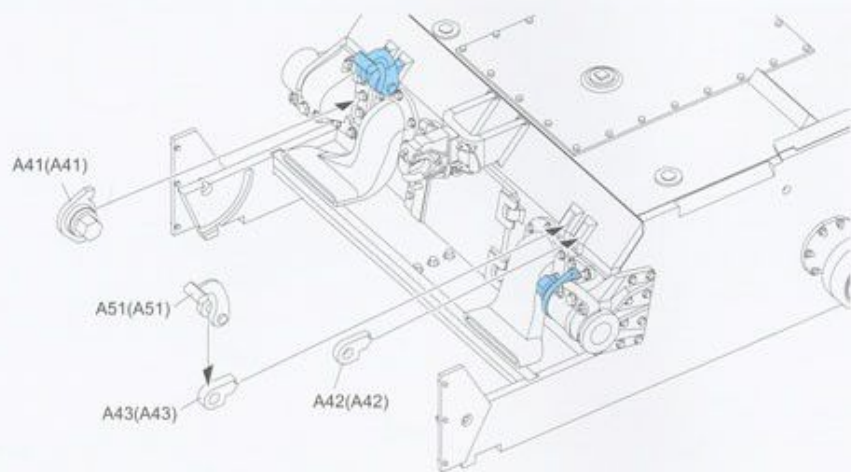


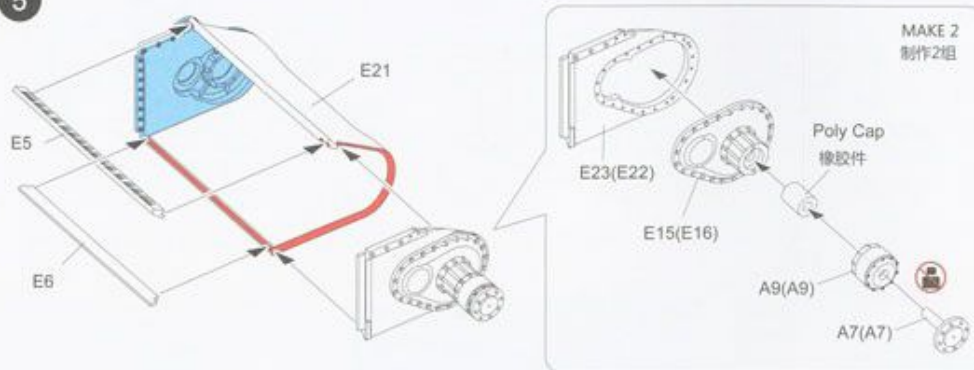
3



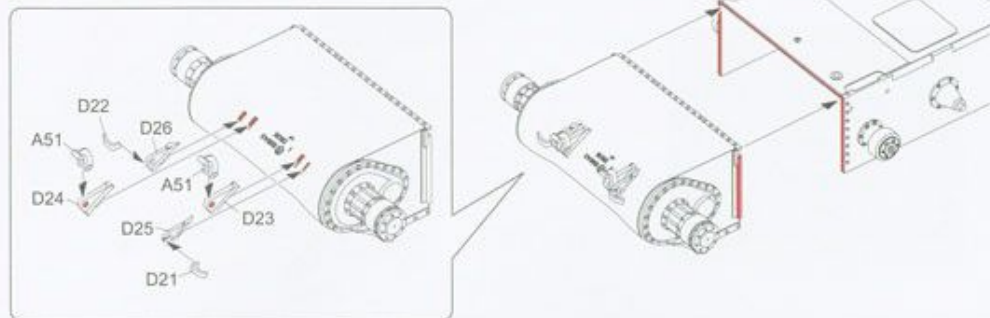
4



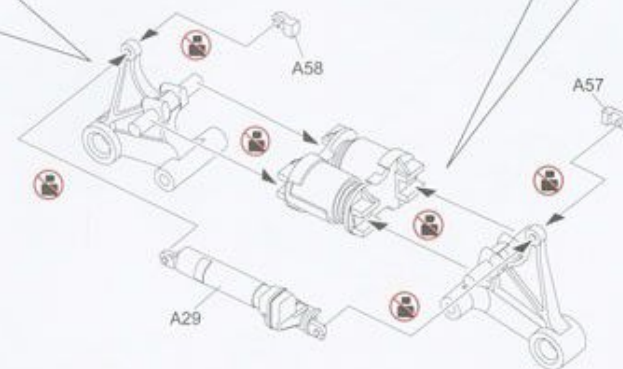
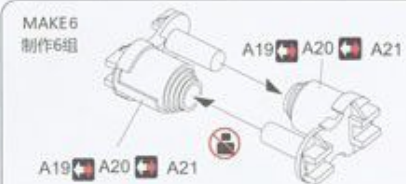
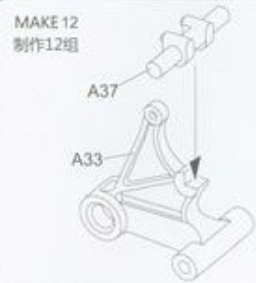
5



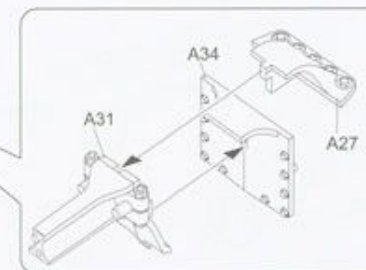
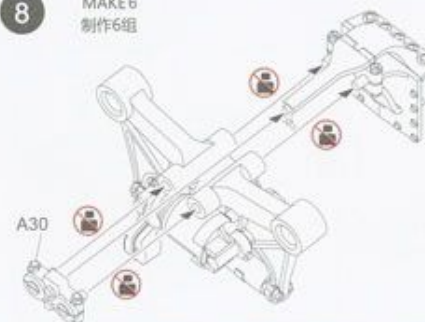
6



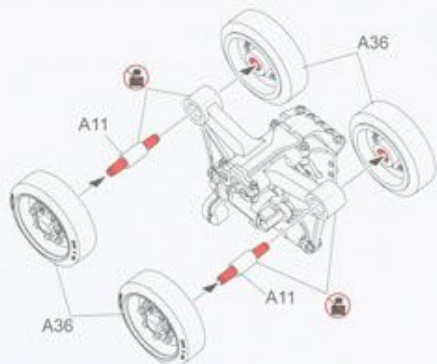
7

MAKE 6
制作6组

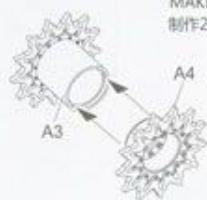
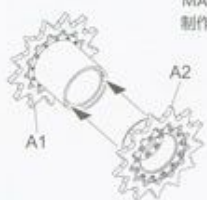
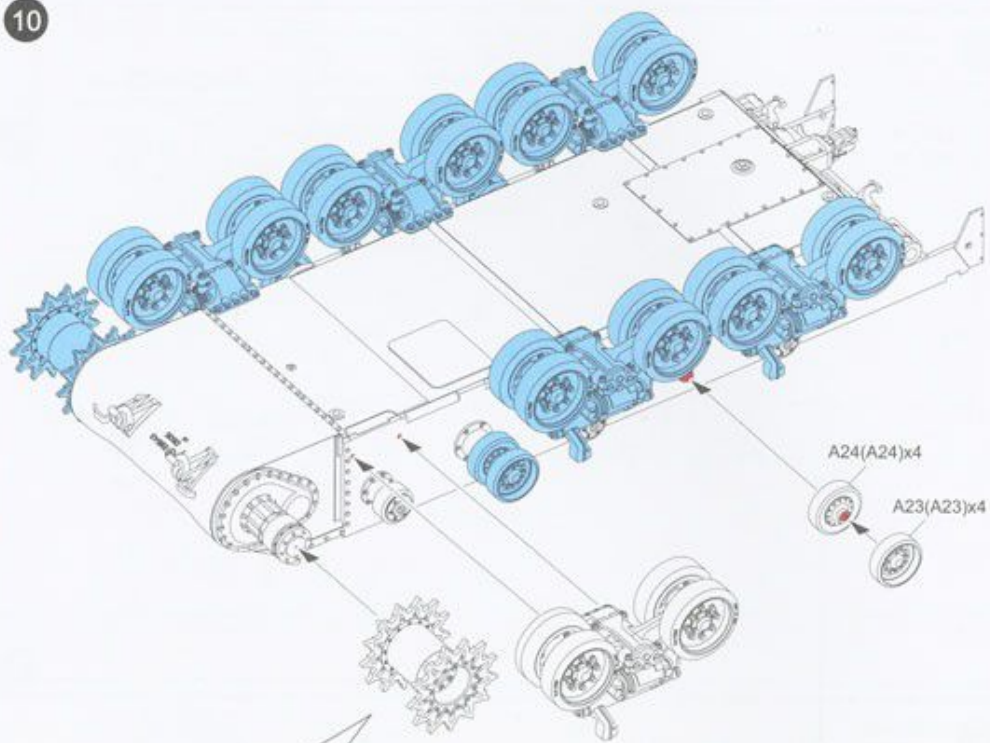
8

MAKE 6
制作6组

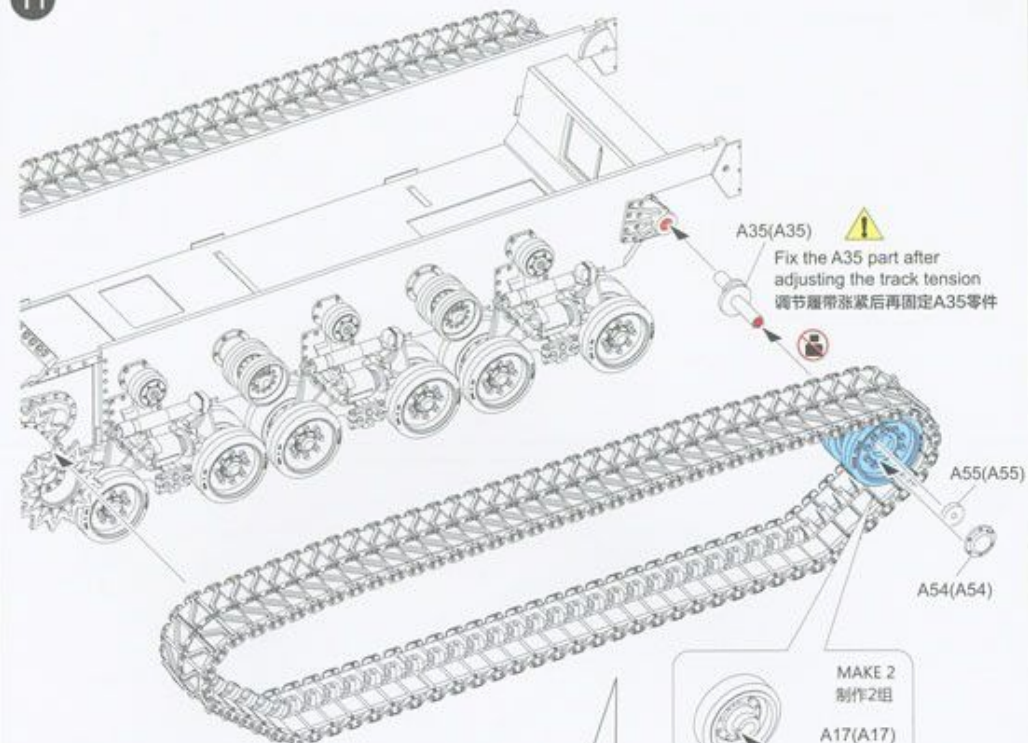
9

MAKE 6
制作6组

10



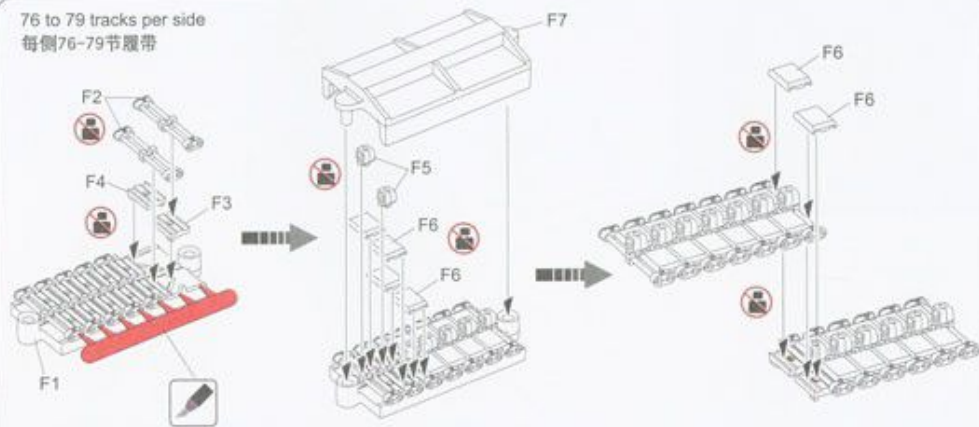
11



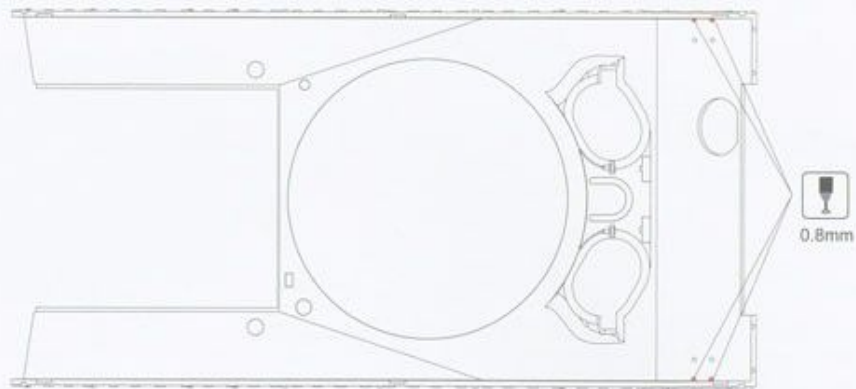
⚠
Fix the A35 part after
adjusting the track tension
调节履带涨紧后再固定A35零件



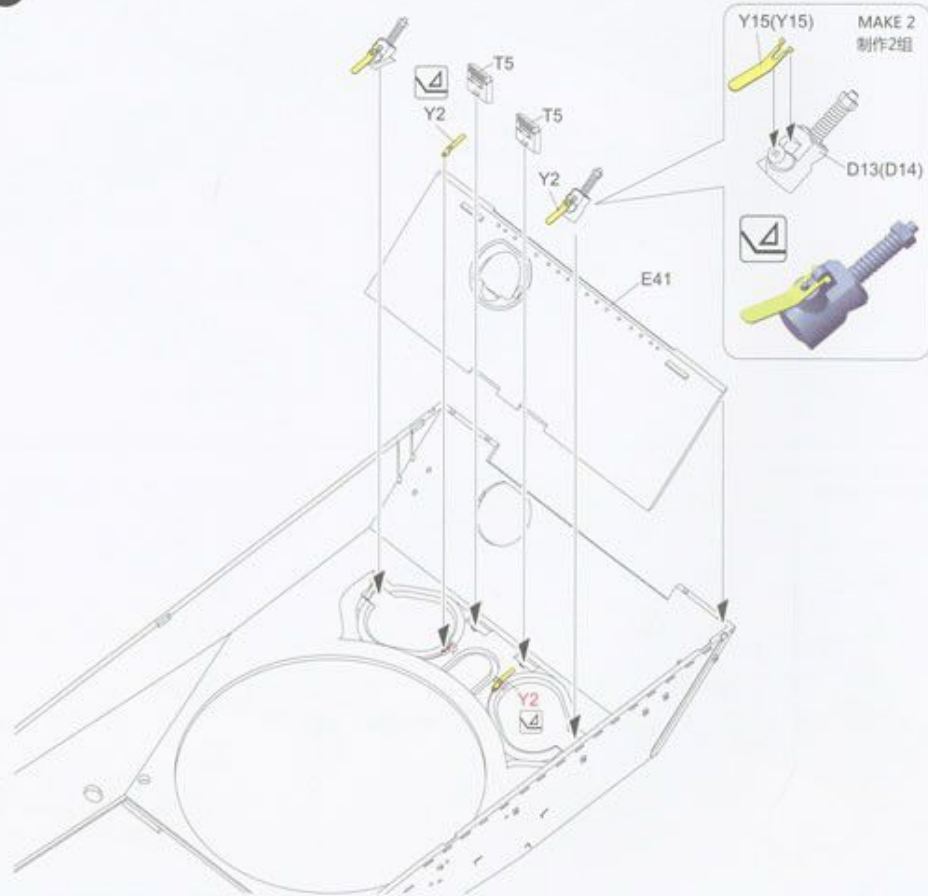
76 to 79 tracks per side
每侧76-79节履带



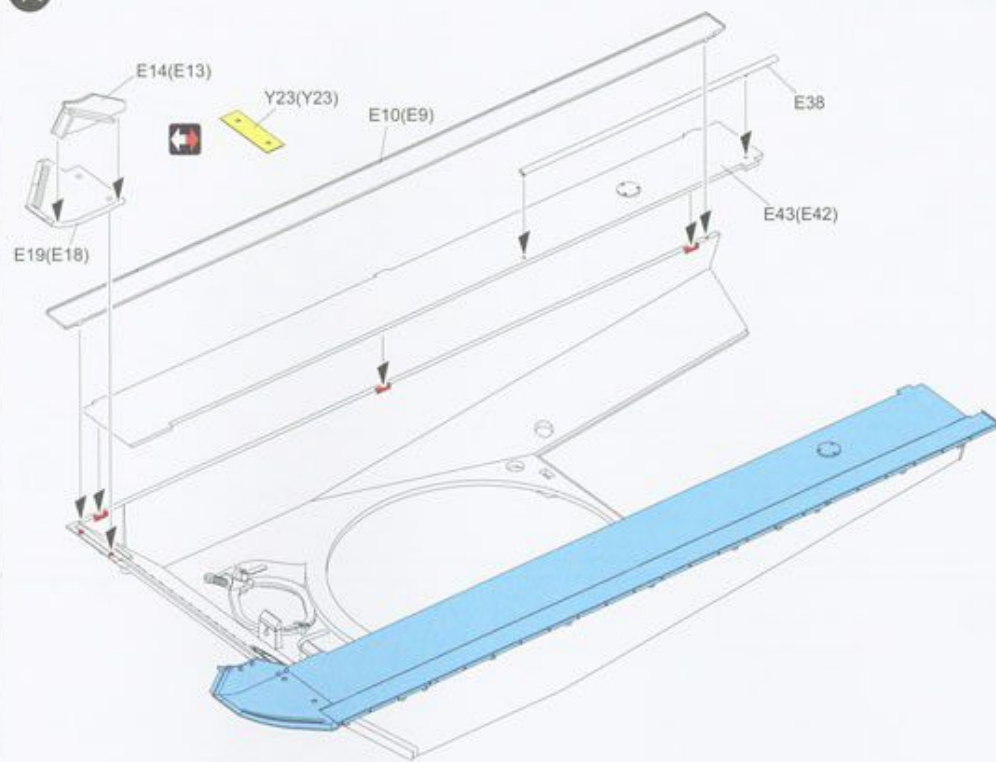
12



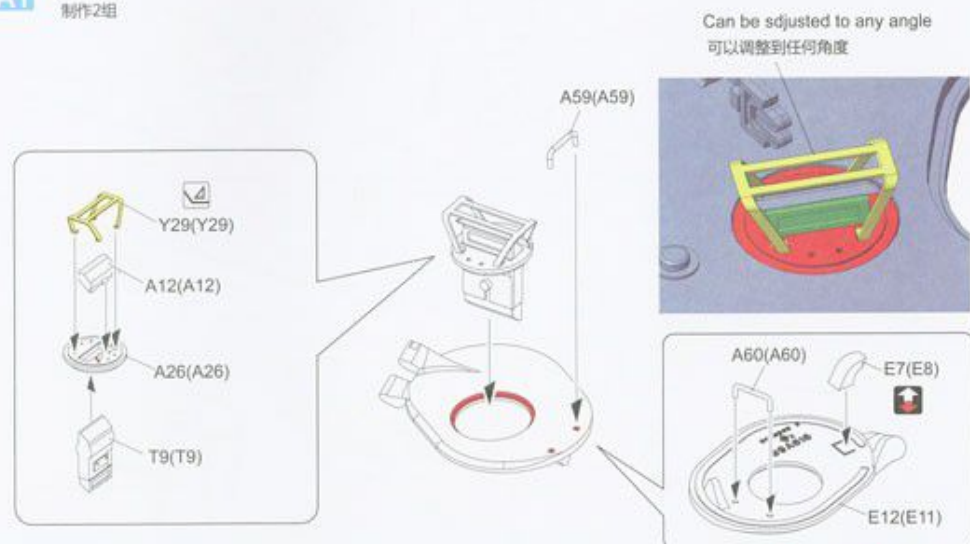
13



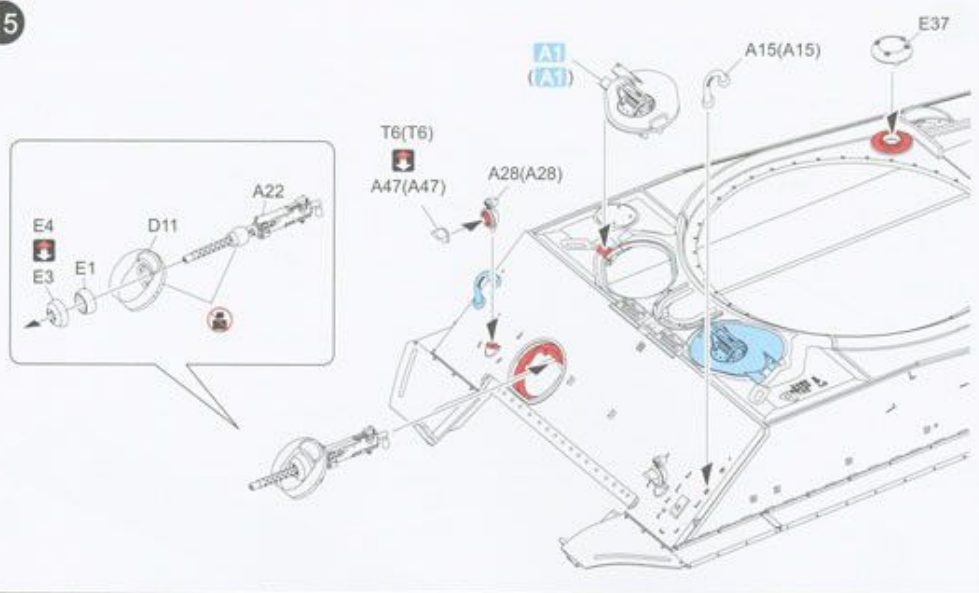
14



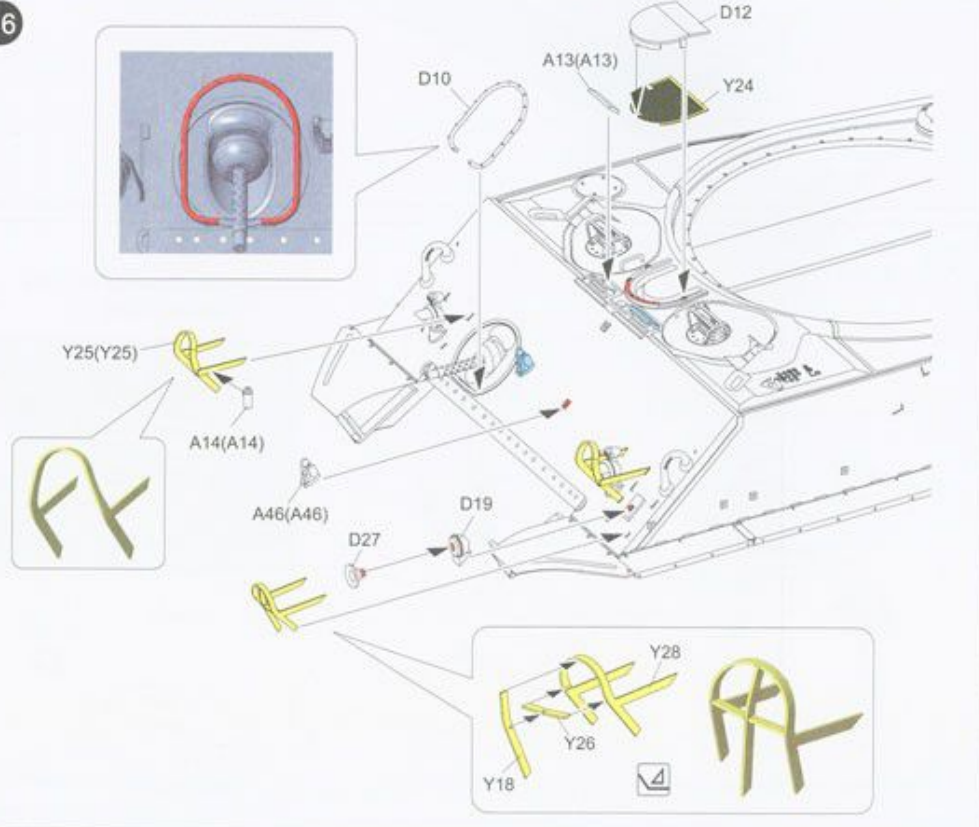
A1 MAKE 2 制作2组



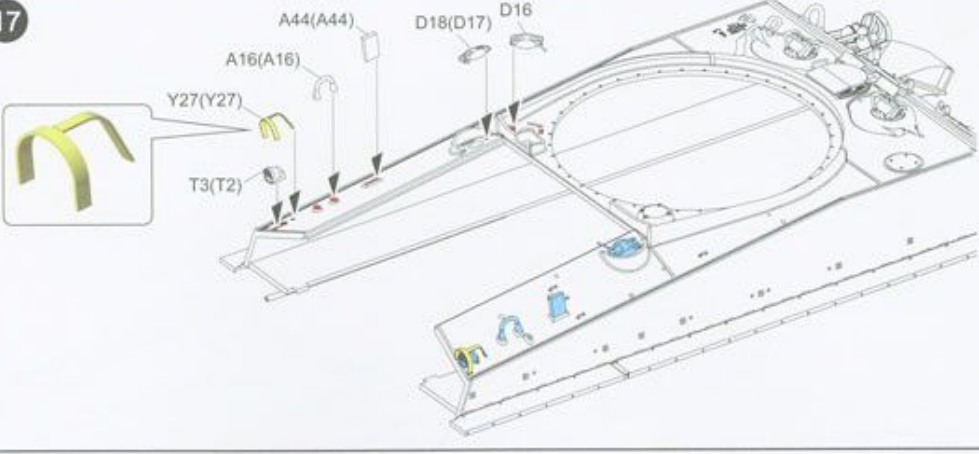
15



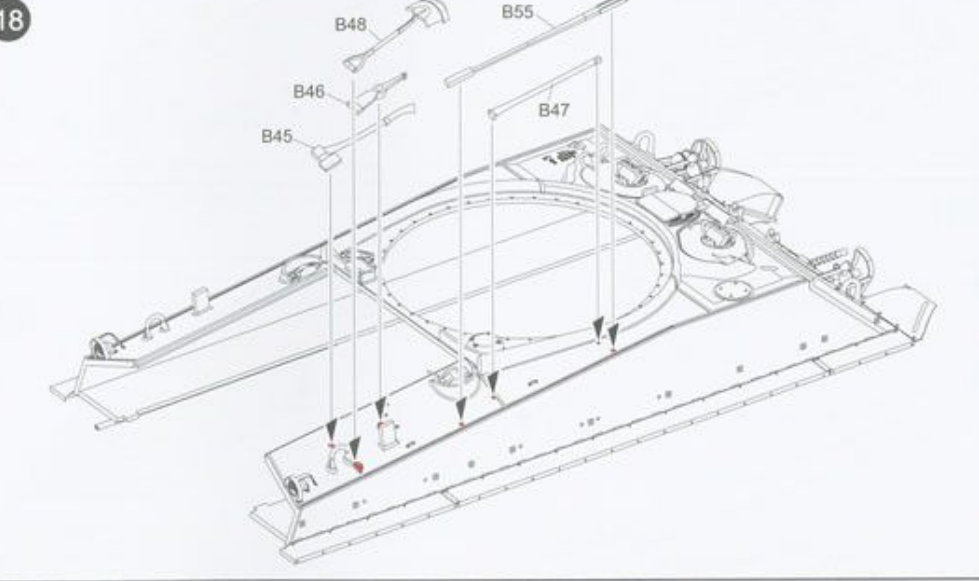
16



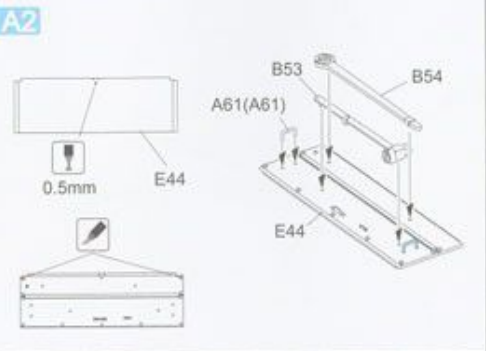
17



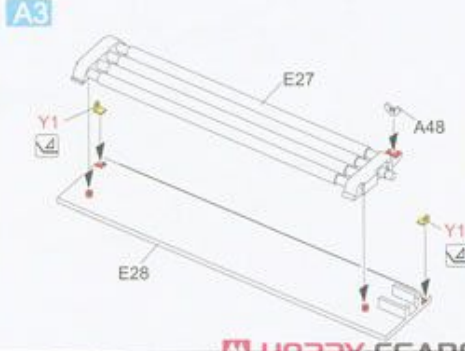
18



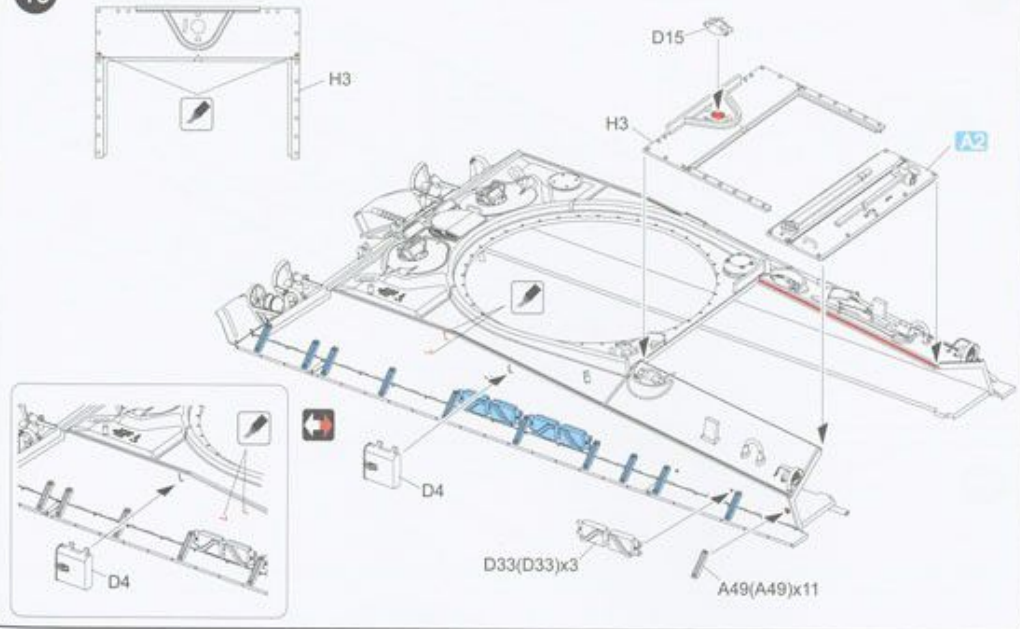
A2



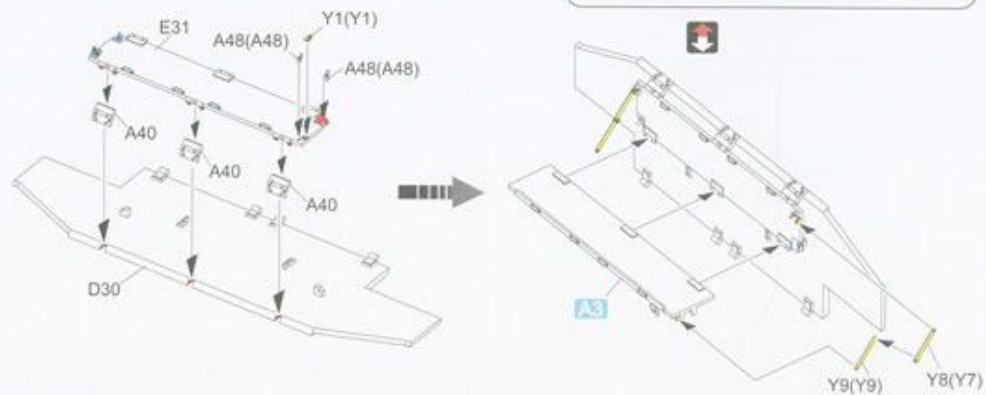
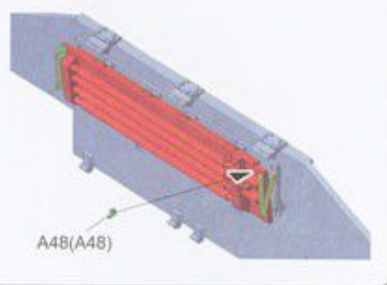
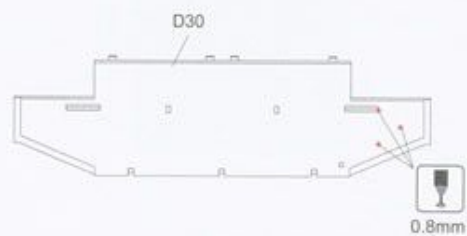
A3



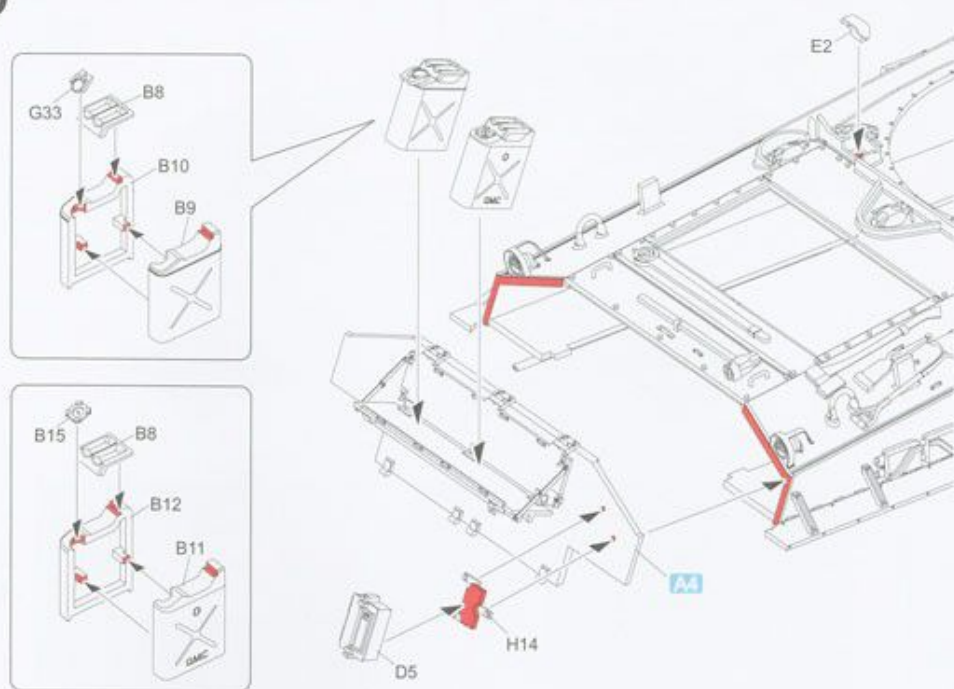
19



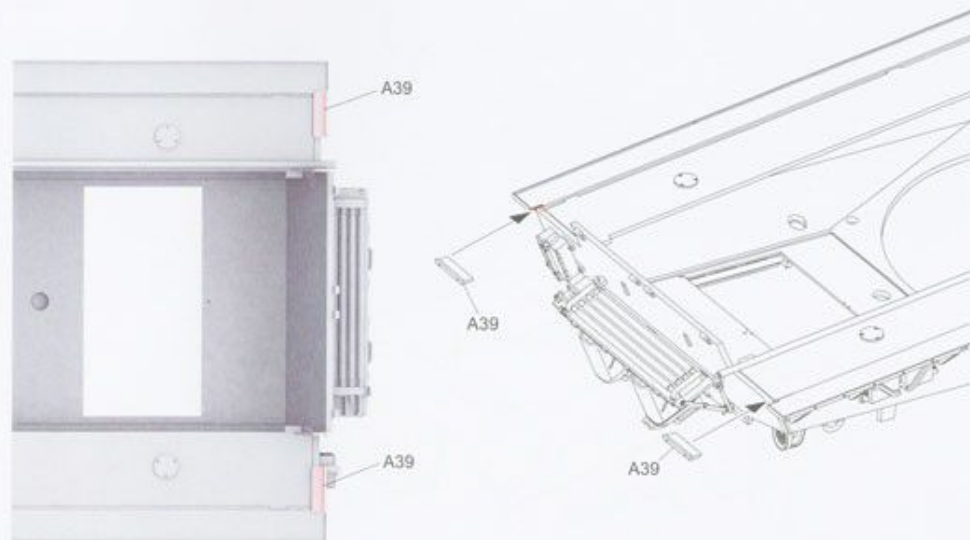
A4

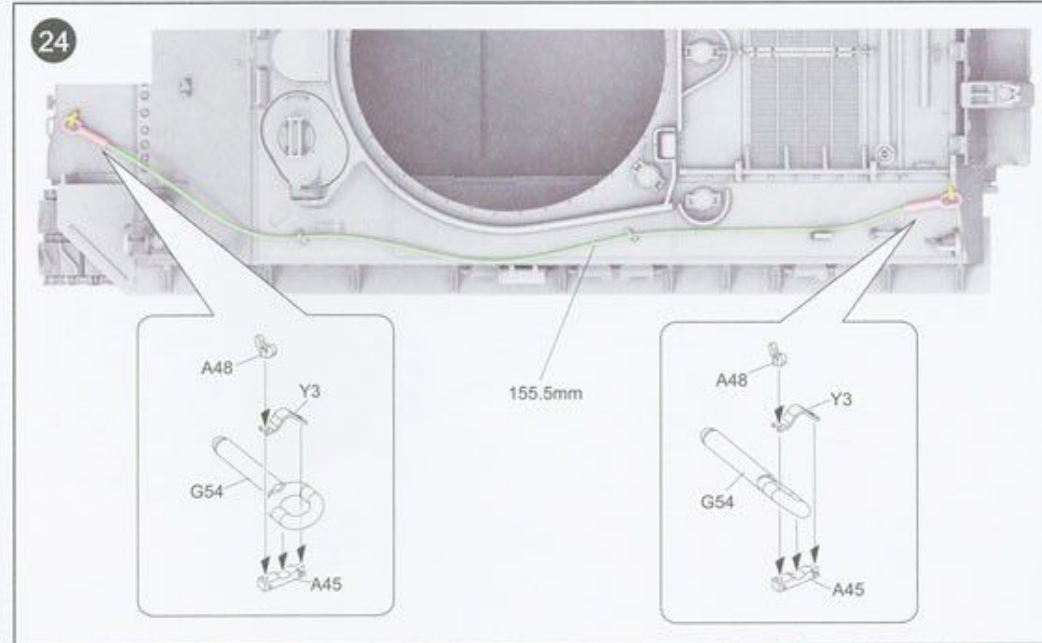
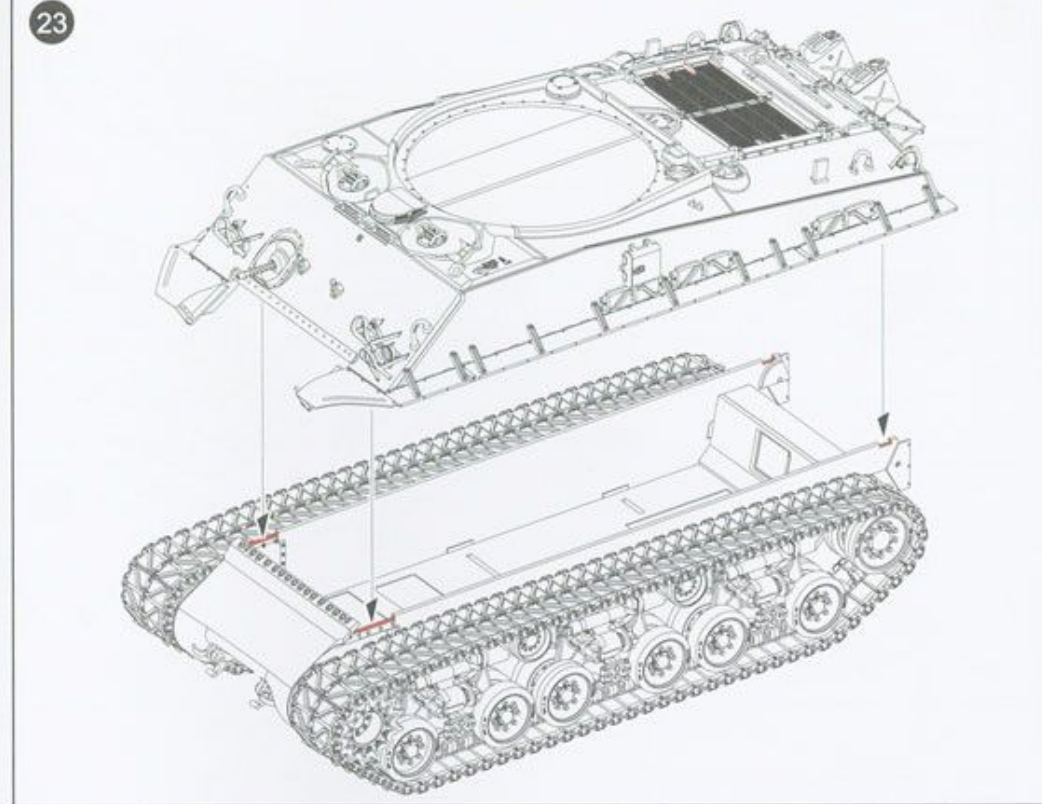
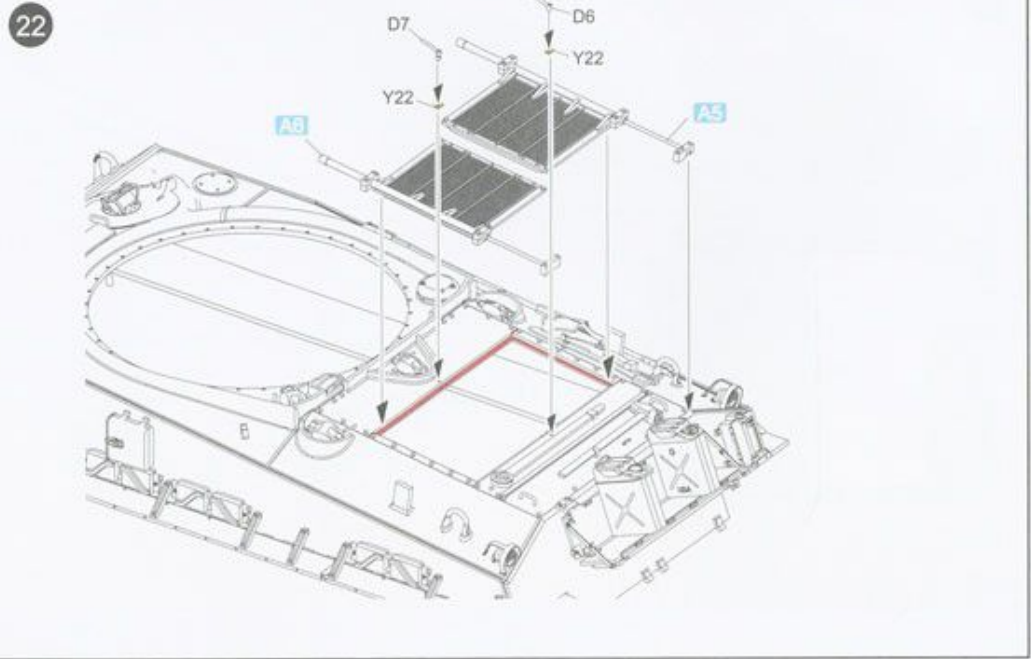
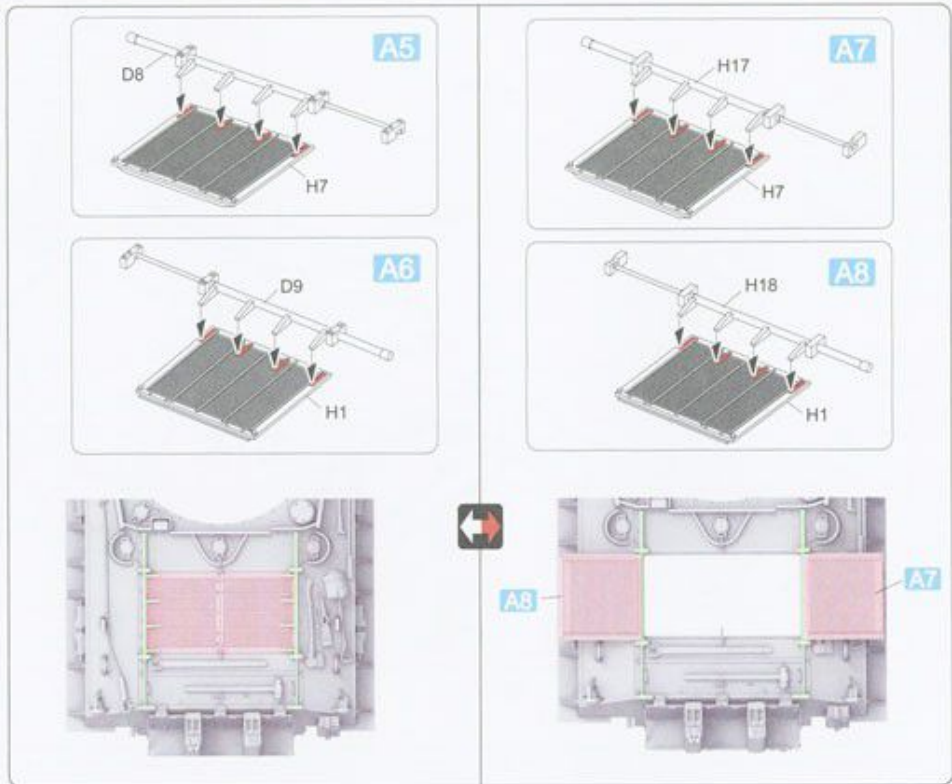


20

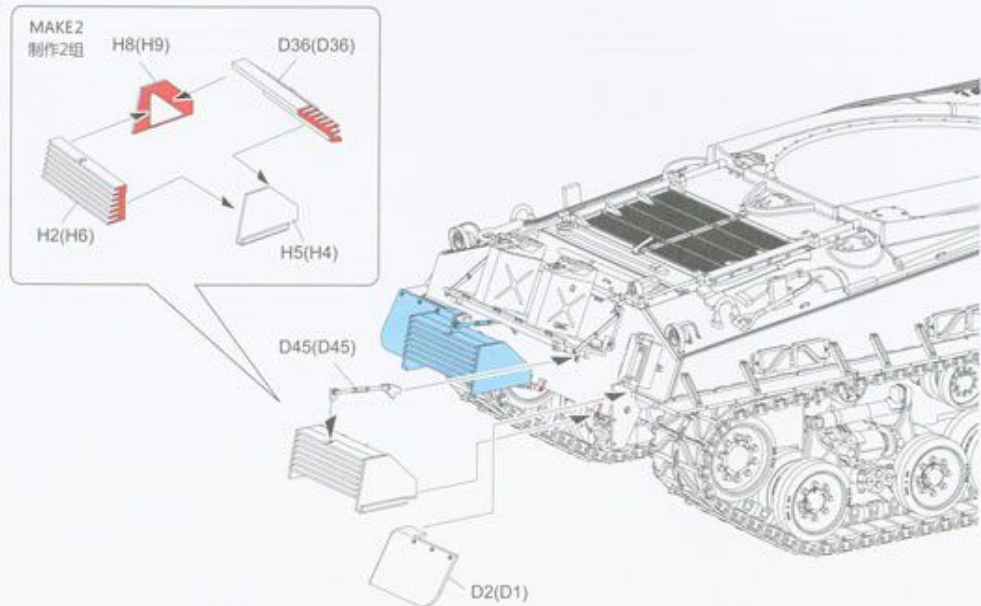
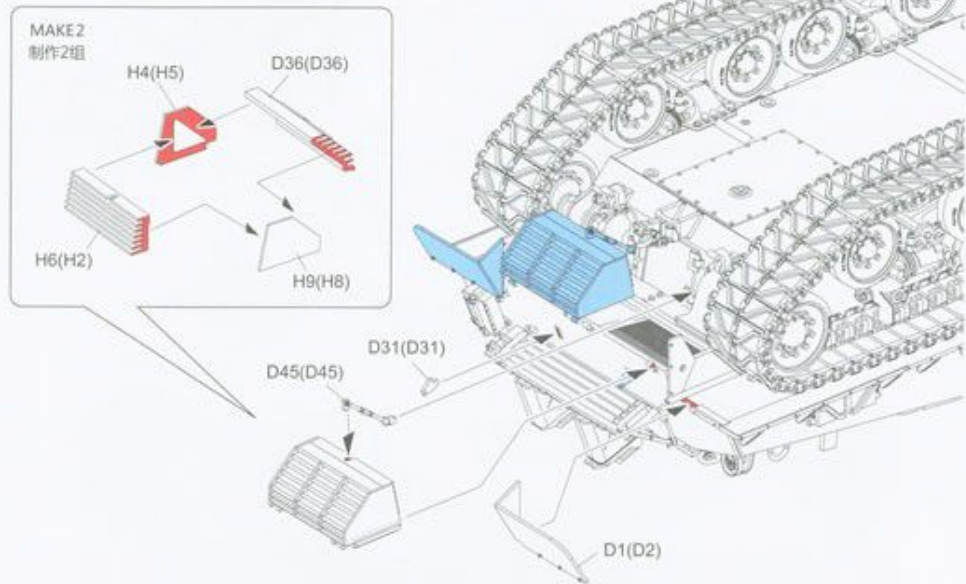


21

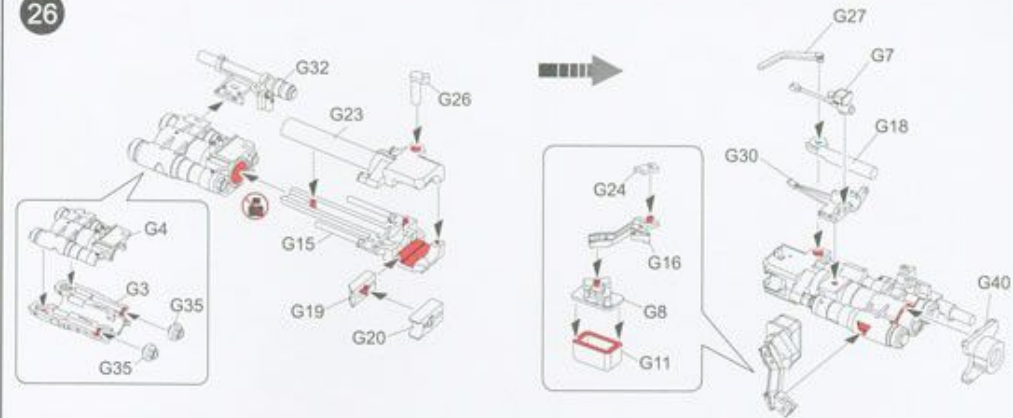




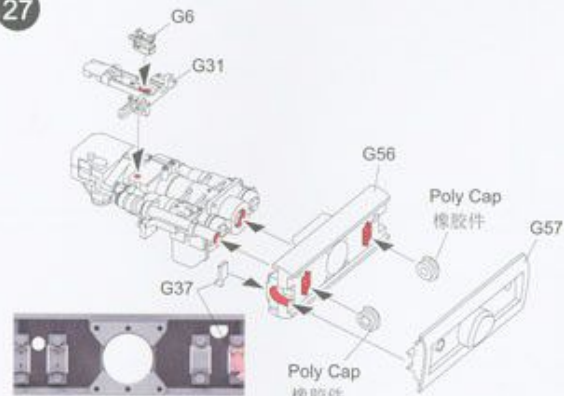
25



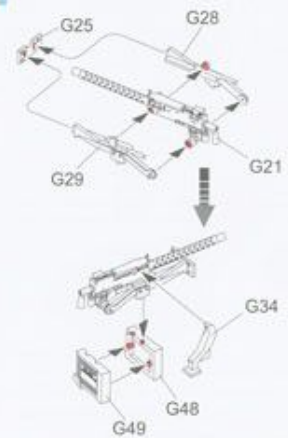
26



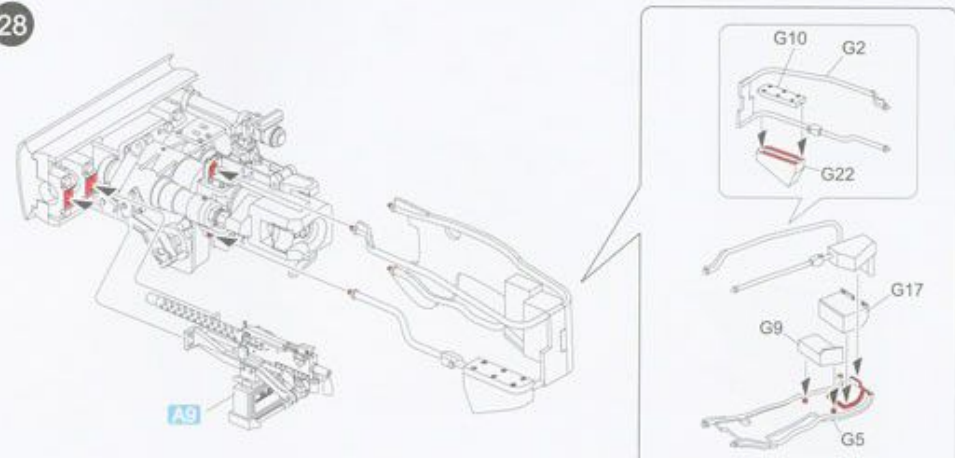
27



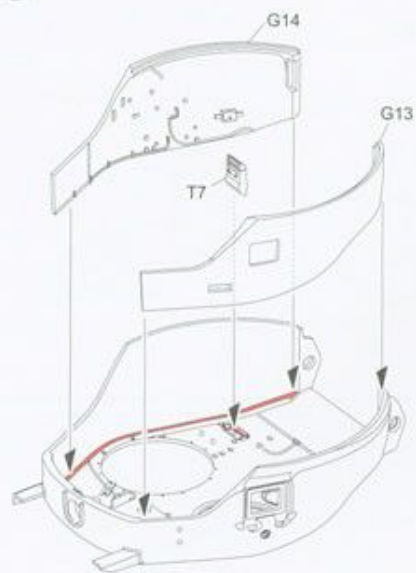
A9



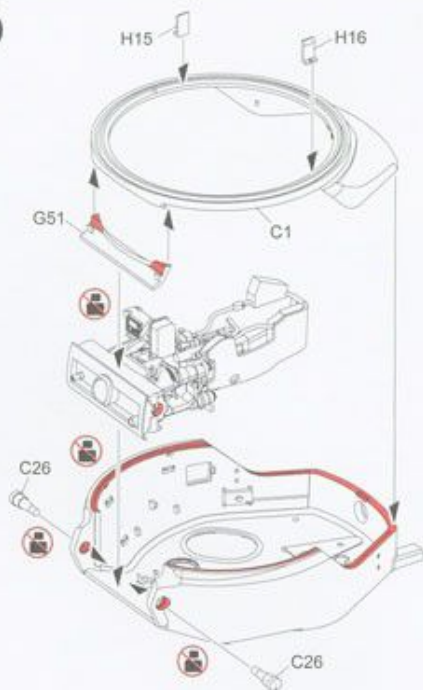
28



29

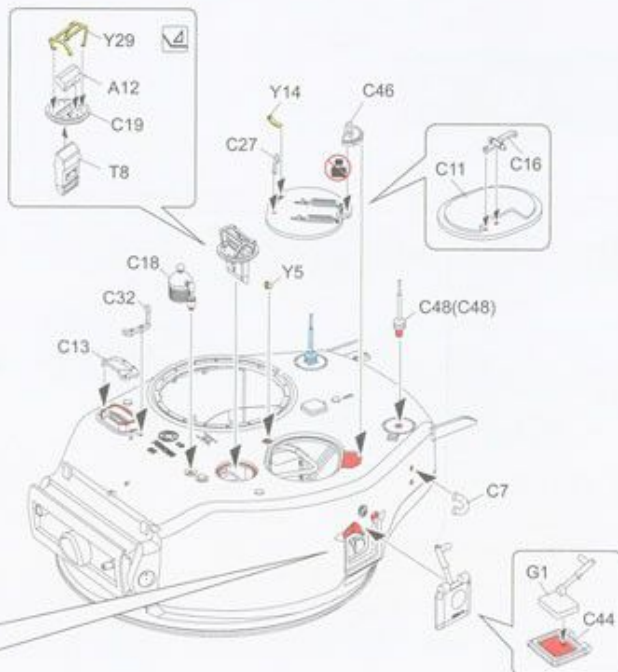


30

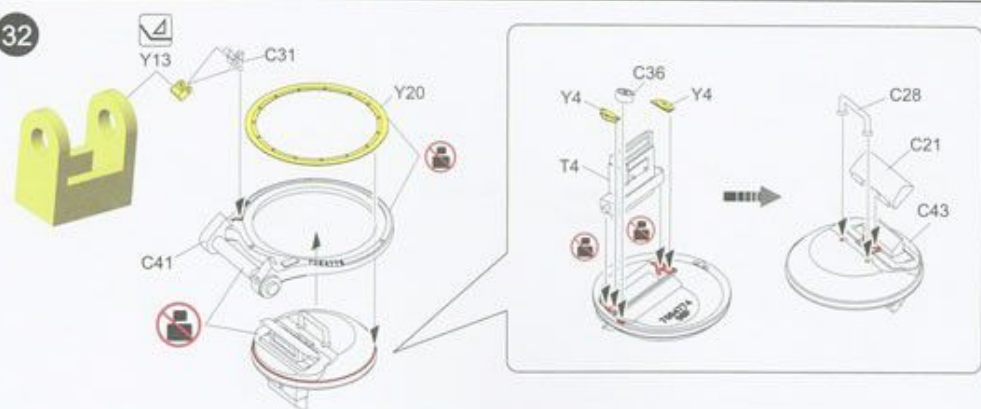


31

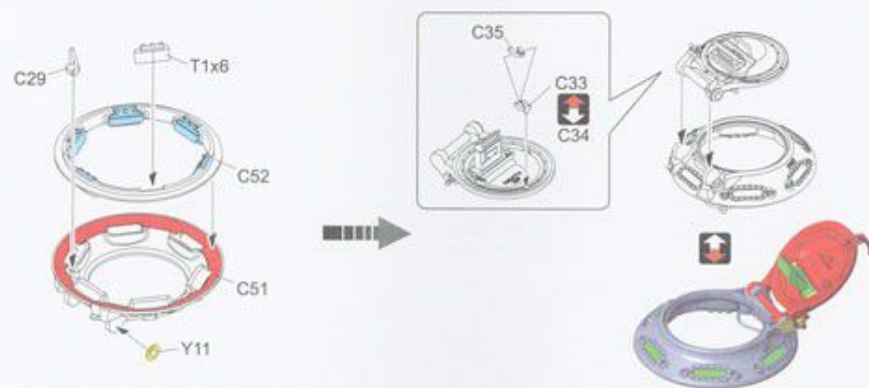
Can be adjusted to any angle
可以调整到任何角度



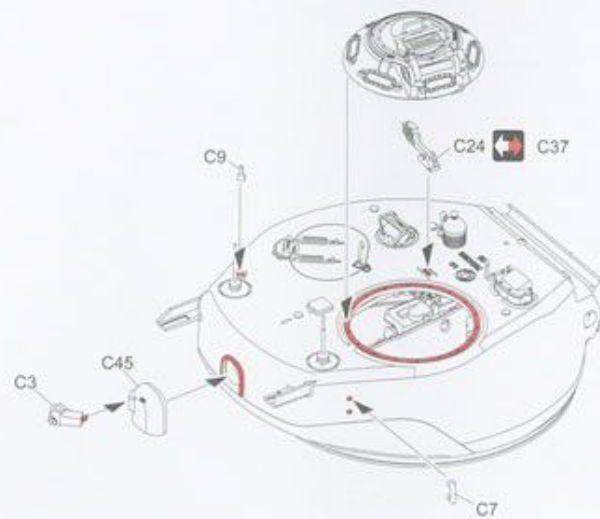
32

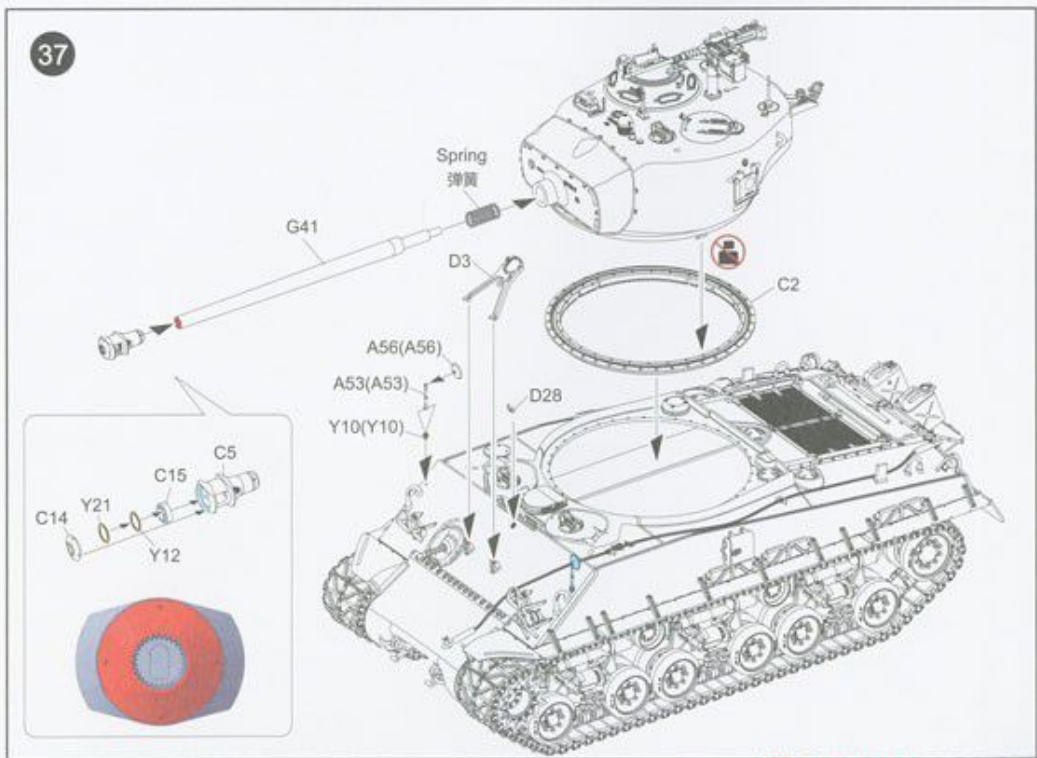
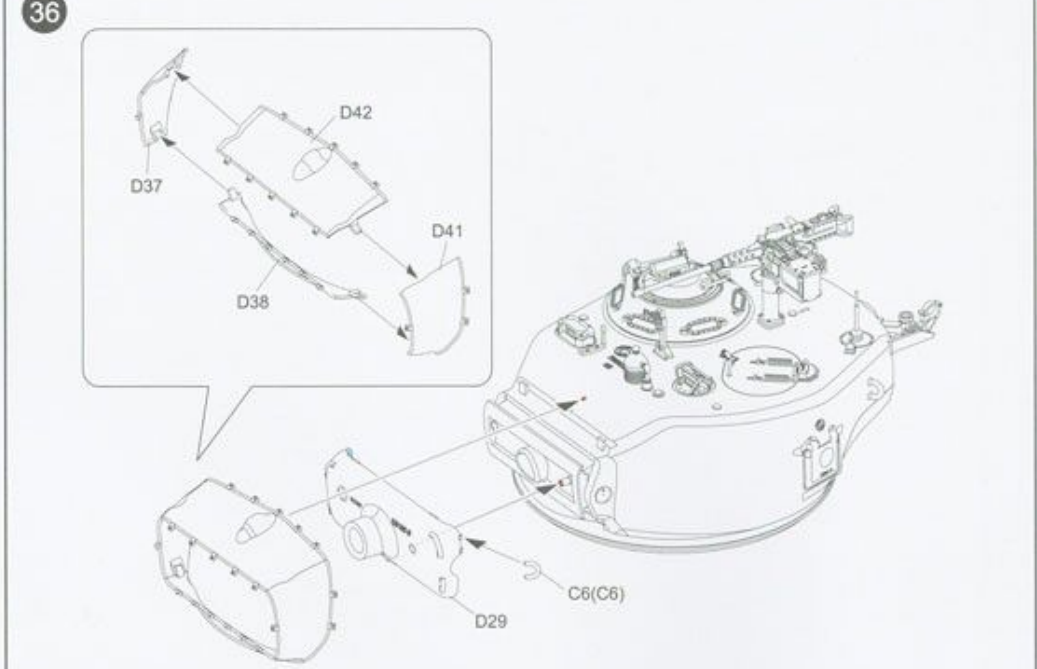
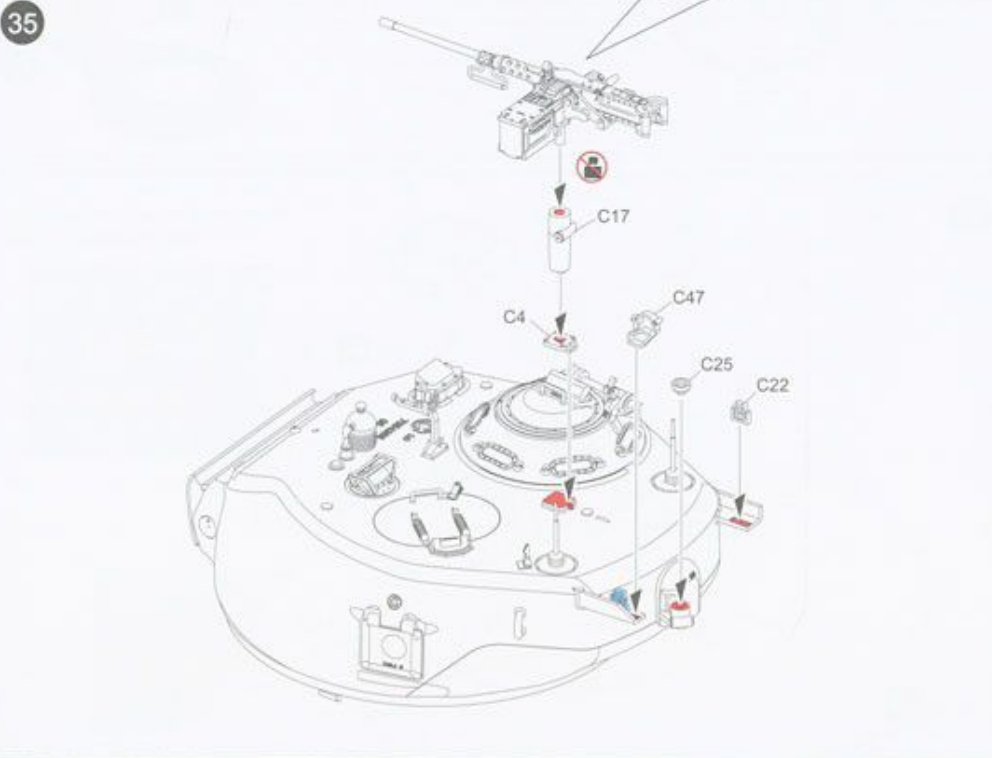
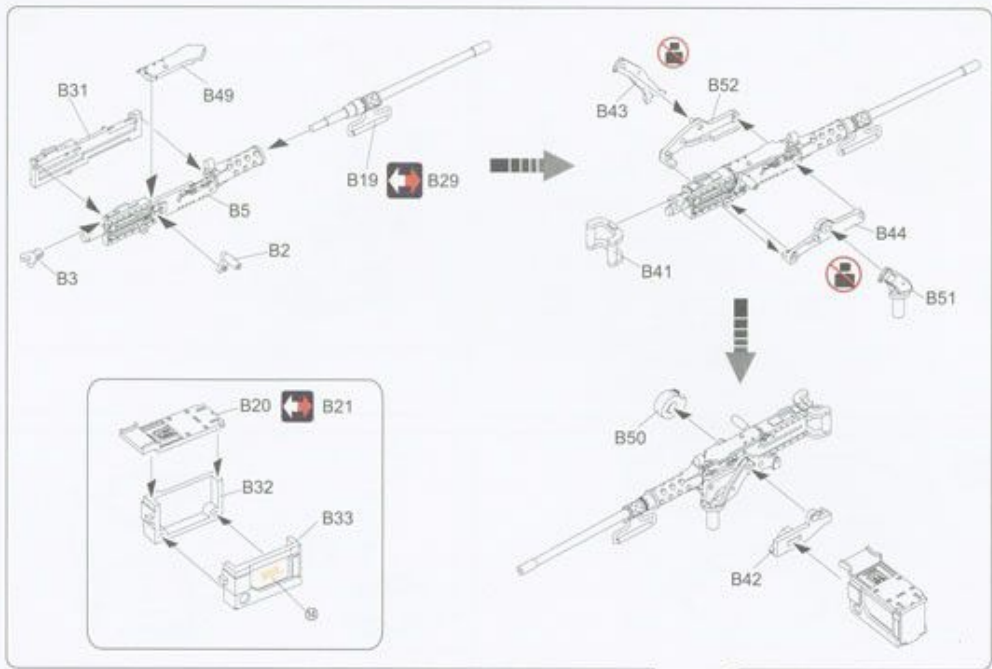


33



34





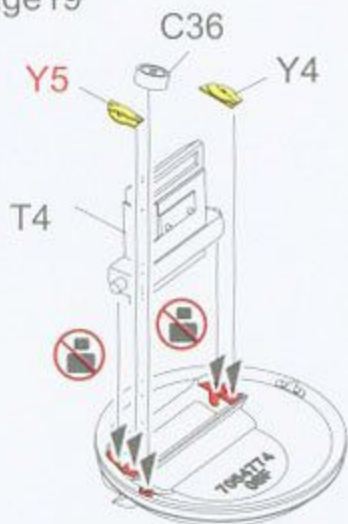
Correction of mistakes for the parts

说明书零件编号错误修正

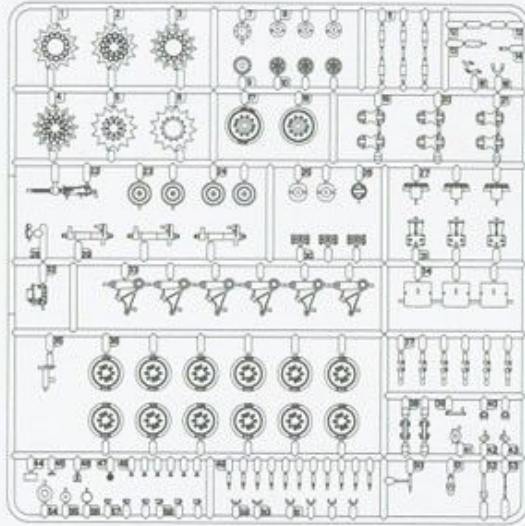
Step 31 on page 18
第18页31步



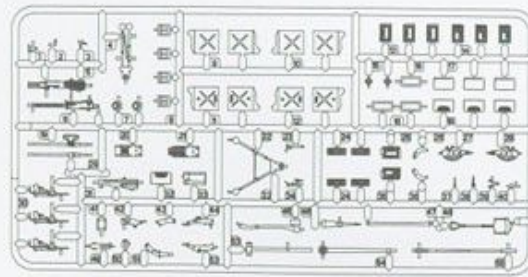
Step 32 on page 19
第19页32步



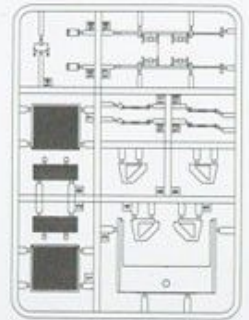
A x 2



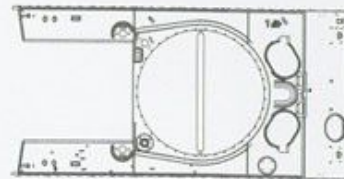
B x 1



H x 1



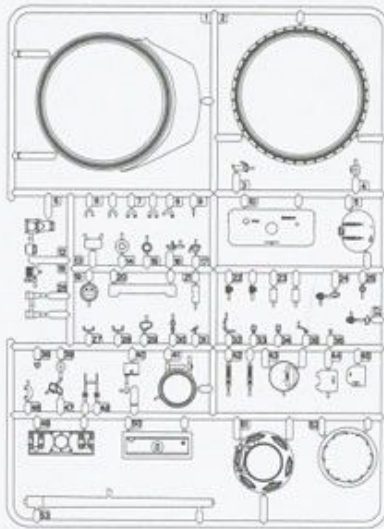
UPPER HULL



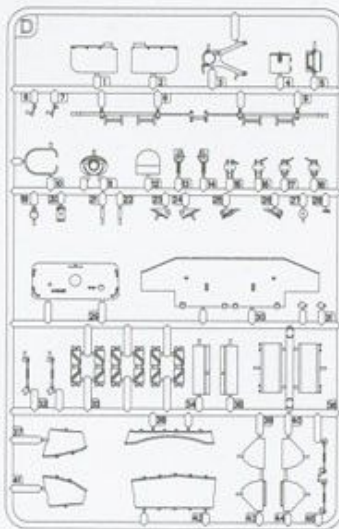
TURRET



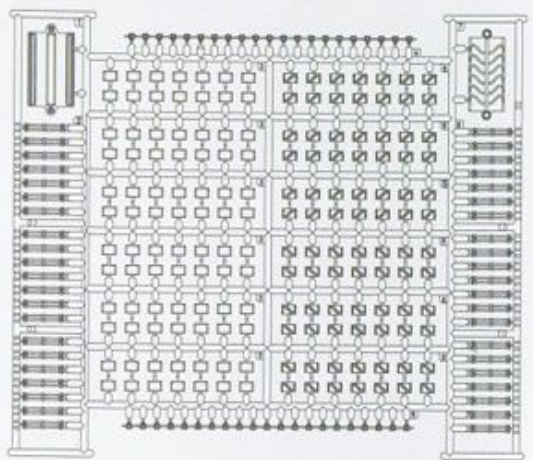
C x 1



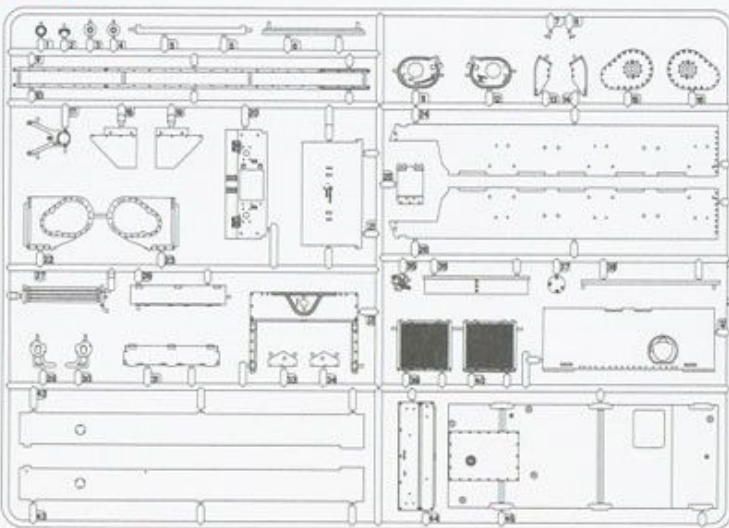
D x 1



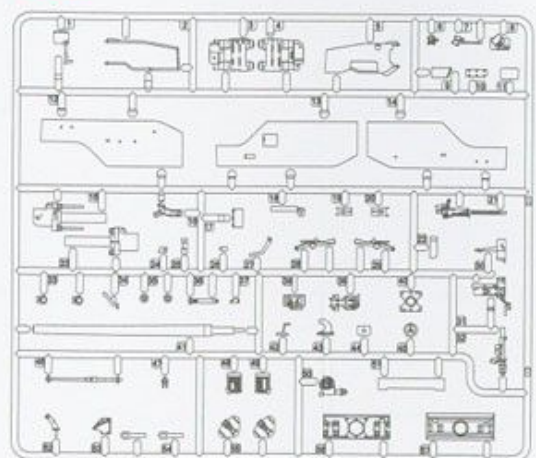
F x 4



E x 1



G x 1



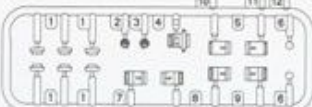
Cable 160 mm



SPRING



T x 1



DECAL



Y x 1



POLY CAP



Color info and profiles
by

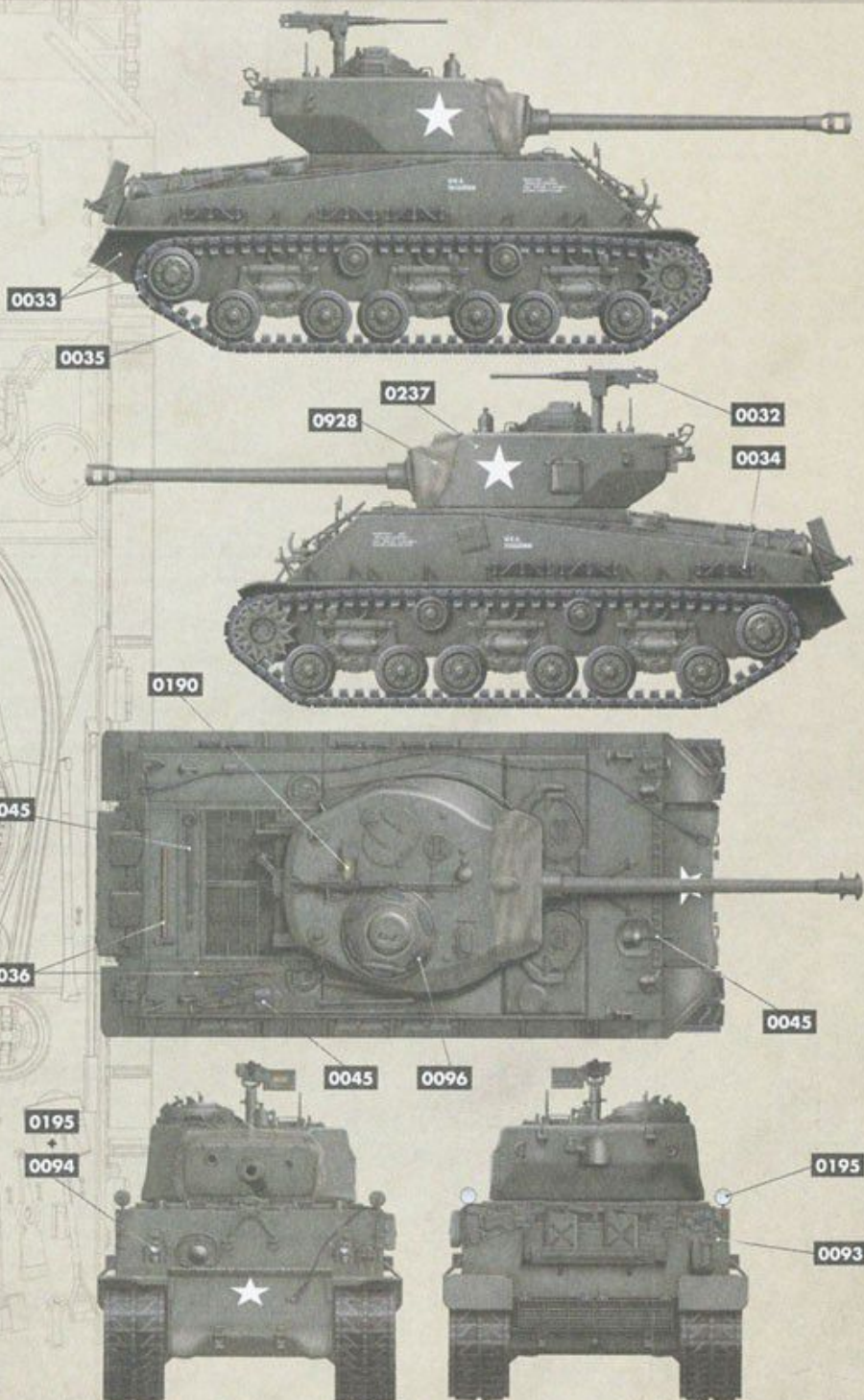


SHERMAN M4A3E8

Painting and Marking Guide

 A.MIG-0032 Satin Black	 A.MIG-0033 Rubber & Tires	 A.MIG-0034 Rust Tracks	 A.MIG-0035 Dark Tracks
 A.MIG-0036 Old Wood	 A.MIG-0045 Gun Metal	 A.MIG-0083 Crystal Red	 A.MIG-0094 Crystal Glass
 A.MIG-0096 Crystal Periscope Green	 A.MIG-0190 Old Brass	 A.MIG-0195 Silver	 A.MIG-0237 FS 23070 Dark Olive Drab
 A.MIG-0928 Olive Drab High Lights			

In December 1950, the Jiechuan area of North Korea was captured by the Chinese People's Volunteers and is now on display in the Military Museum of the Chinese People's Revolution.



WEATHERING STEPS WITH AMMO PRODUCTS

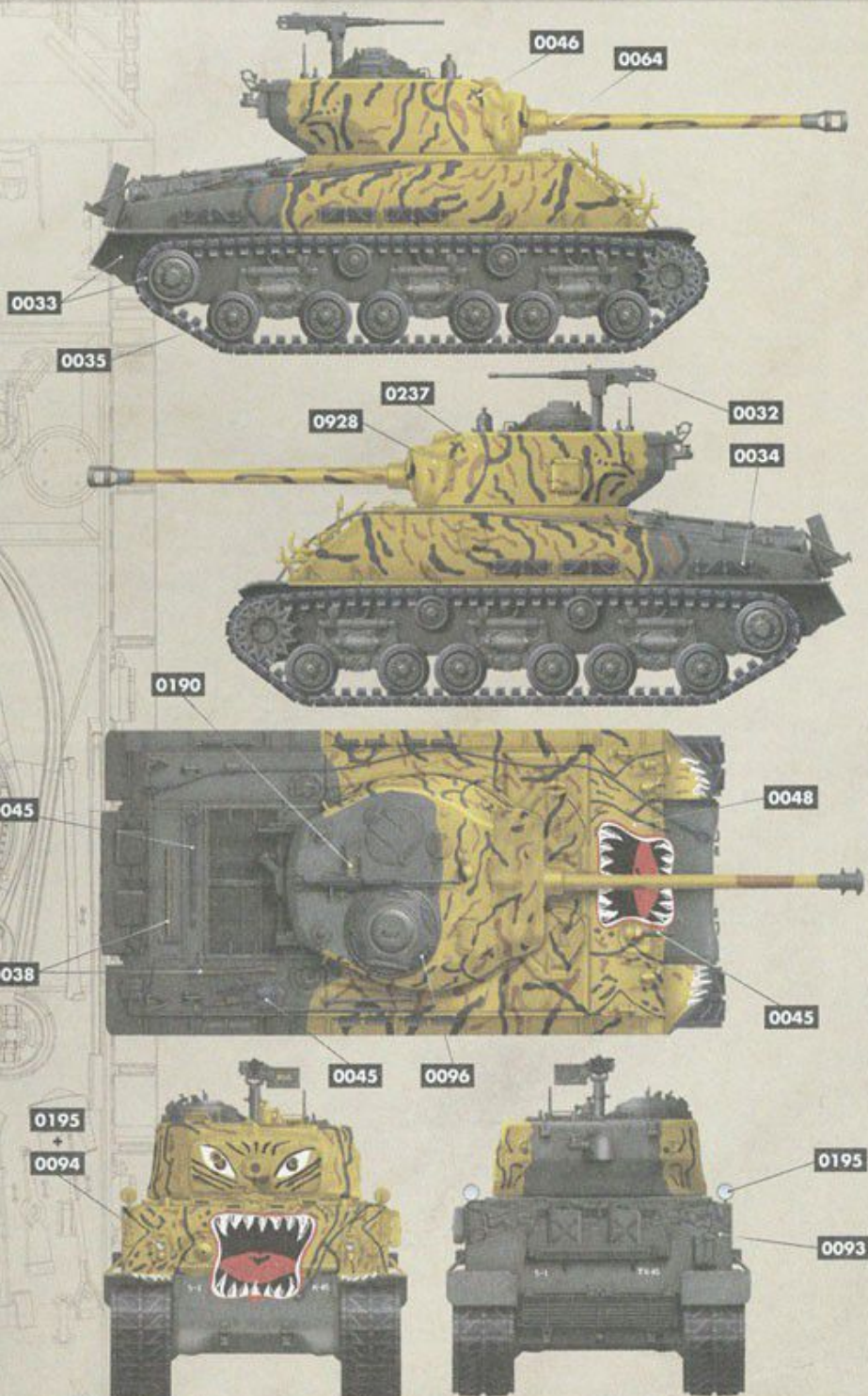
1 GENERAL WASH A.MIG-1005 Dark Brown Wash for Green Vehicles	3 STREAKING A.MIG-1203 Streaking Grime	5 TRACKS WASH A.MIG-1002 Tracks Wash	7 MUD A.MIG-1702 Turned Earth	9 FUEL A.MIG-1408 Fuel Stains
2 FILTER A.MIG-1508 Green for Grey Green	4 RAINMARKS A.MIG-1258 Streakingbrusher Dust	6 DUST A.MIG-3012 Sand Pigment	8 SPLASHES A.MIG-1751 Dry Steppe	10 OIL A.MIG-1408 Fresh Engine Oil

SHERMAN M4A3E8

Painting and Marking Guide

 A.MIG-0032 Satin Black	 A.MIG-0033 Rubber & Tires	 A.MIG-0034 Rust Tracks	 A.MIG-0035 Dark Tracks
 A.MIG-0038 Light Wood	 A.MIG-0045 Gun Metal	 A.MIG-0046 Matt Black	 A.MIG-0048 Yellow
 A.MIG-0064 Earth Brown	 A.MIG-0093 Crystal Red	 A.MIG-0094 Crystal Glass	 A.MIG-0096 Crystal Periscope Green
 A.MIG-0190 Old Brass	 A.MIG-0195 Silver	 A.MIG-0237 FS 23070 Dark Olive Drab	

4th Platoon, Tank 5, 5th Regimental Combat Team (RTC) tank company, 24 Infantry Division. Operation Ripper in Korea, February – March 1951.



WEATHERING STEPS WITH AMMO PRODUCTS

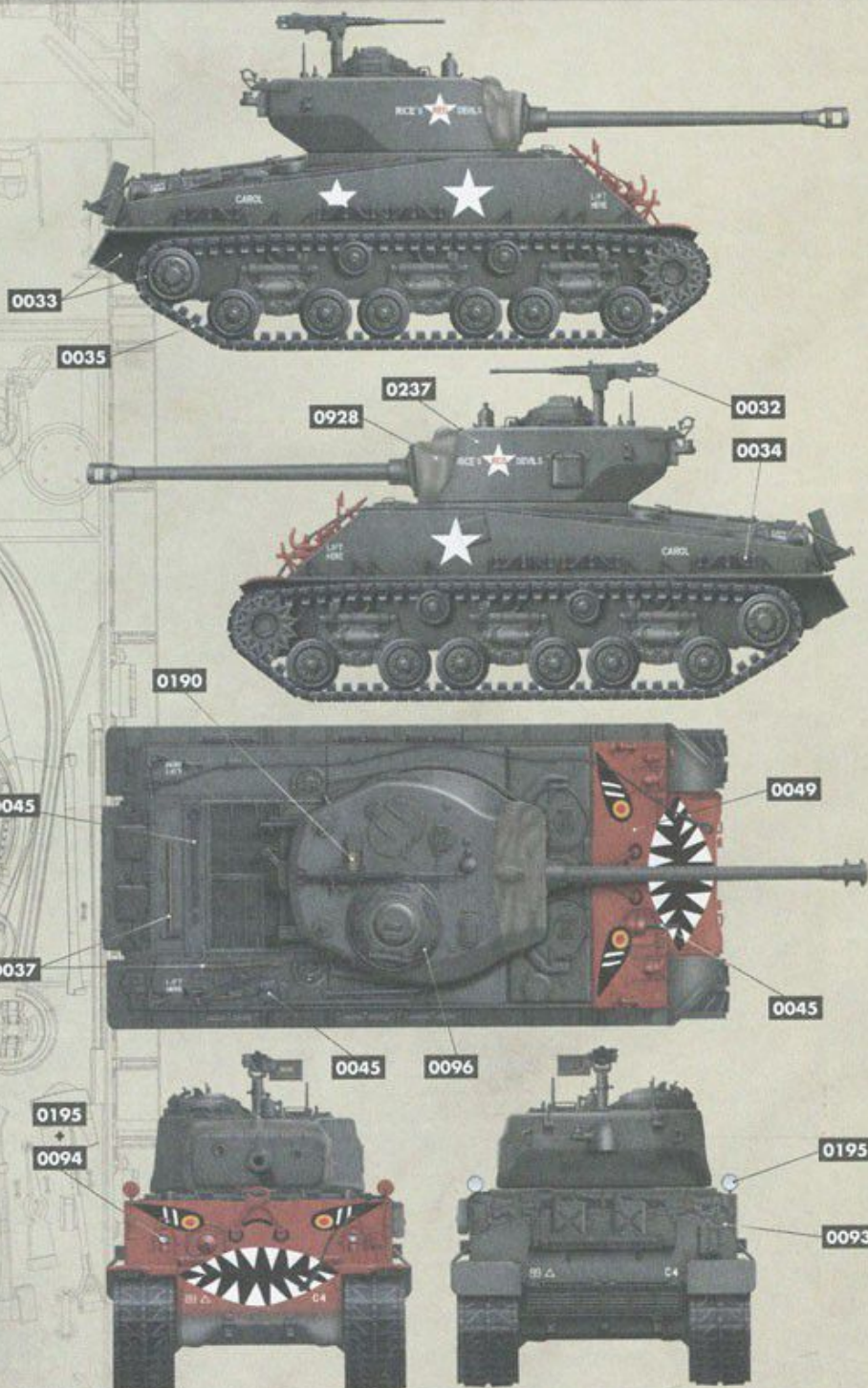
1 GENERAL WASH A.MIG-1005 Dark Brown Wash for Green Vehicles	4 CAMO SHADING A.MIG-0869 Light Clay	7 STREAKING A.MIG-1203 Streaking Grime	10 DUST A.MIG-3004 Europe Earth Pigment	13 FUEL A.MIG-1409 Fuel Stains
2 CAMO FADING A.MIG-3505 Oilbrusher Field Green	5 DIRT SHADING A.MIG-0853 Dirt Shader	8 RAINMARKS A.MIG-1258 Streakingbrusher Dust	11 MUD A.MIG-1704 Heavy Earth	
3 FILTER A.MIG-1508 Green for Grey Green	6 DETAILS HIGHLIGHT A.MIG-0809 Drybrush Medium Olive Green	9 TRACKS WASH A.MIG-1002 Tracks Wash	12 SPLASHES A.MIG-1753 Turned Dirt	

SHERMAN M4A3E8

Painting and Marking Guide

A.MIG-0032 Satin Black	A.MIG-0033 Rubber & Tires	A.MIG-0034 Rust Tracks	A.MIG-0035 Dark Tracks
A.MIG-0037 New Wood	A.MIG-0045 Gun Metal	A.MIG-0049 Red	A.MIG-0093 Crystal Red
A.MIG-0094 Crystal Glass	A.MIG-0096 Crystal Periscope Green	A.MIG-0190 Old Brass	A.MIG-0195 Silver
FS 23070 Dark Olive Drab	A.MIG-0928 Olive Drab High Lights		

"Rice's Red Devils" C Company,
89 tank Battalion, 25th Infantry
Division, Han River basin 1951.



WEATHERING STEPS WITH AMMO PRODUCTS

1 GENERAL WASH A.MIG-1005 Dark Brown Wash for Green Vehicles	3 STREAKING A.MIG-1203 Streaking Grime	5 TRACKS WASH A.MIG-1002 Tracks Wash	7 MUD A.MIG-1754 Damp Earth	9 FUEL A.MIG-1409 Fuel Stains
2 FILTER A.MIG-1508 Green for Grey Green	4 RAINMARKS A.MIG-1258 Streakingbrusher Dust	6 DUST A.MIG-3012 Sand Pigment	8 SPLASHES A.MIG-1793 Turned Dirt	10 OIL A.MIG-1408 Fresh Engine Oil