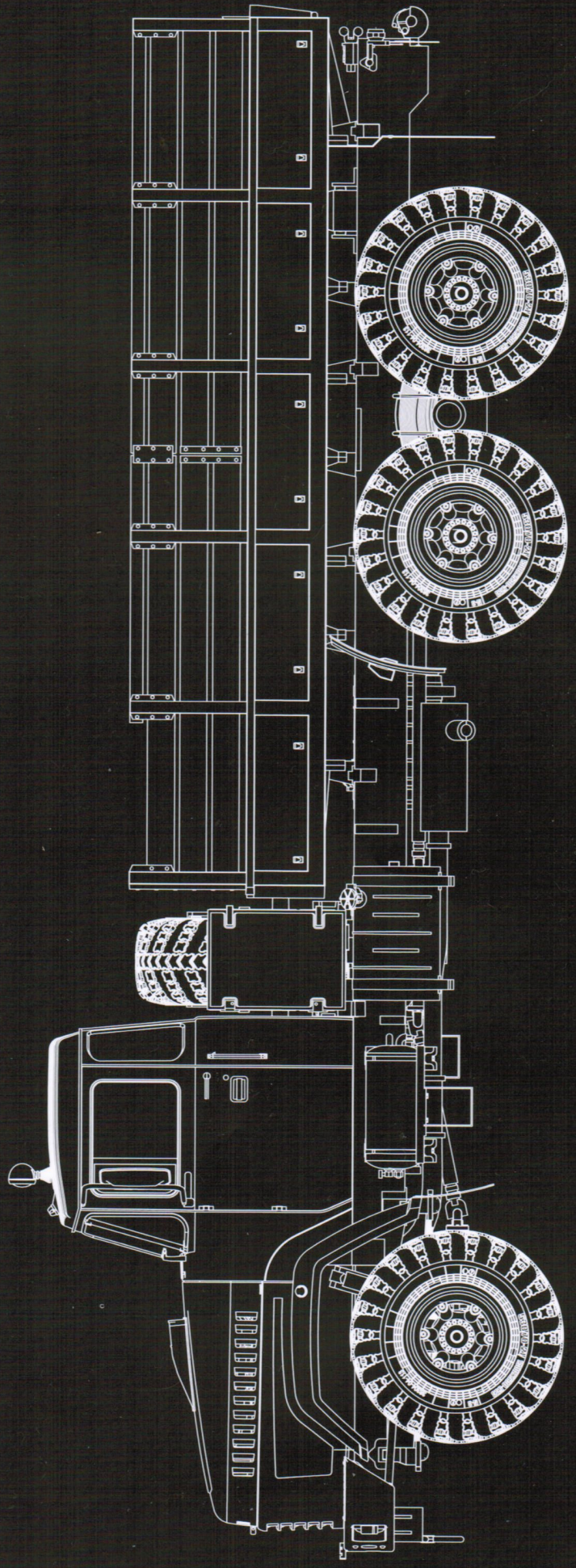


**UKRAINE HEAVY TRUCK**

# KRAZ-6322

[ Late type ]

The KrAZ-6322 heavy utility truck was developed by the Ukrainian AvtoKrAZ. This military truck evolved from the previous KrAZ-255 and 260 models, but has been upgraded to meet today's standards. It is a reliable and proven design. Vehicle is produced since 1999. It is in service with Ukraine, Angola, Egypt, India, Indonesia and Yemen. A large number of these military trucks were ordered by the US Government for the new Iraqi Army. It is also in service with Iran and possibly some other countries.



# READ BEFORE ASSEMBLY

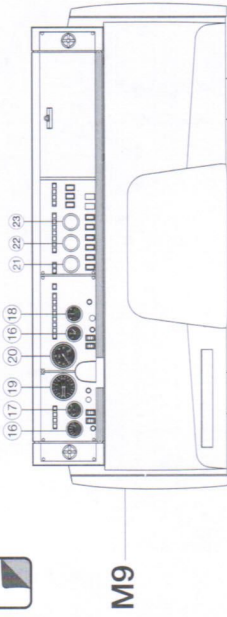
## CAUTION

- Read carefully and fully understand the instructions before commencing assembly. A supervising adult should also read the instructions if a child assembles the model.
- When assembling this kit, tools including knives used. Extra care should be taken to avoid personal injury.
- Keep out of reach of small children. Children must not be allowed to suck any part, or pull vinyl bag over their heads.

	Optional		Attention		Remove		Bend
	Do Not Cement		Instant Glue for Metal		Apply Decal		Fill Holes

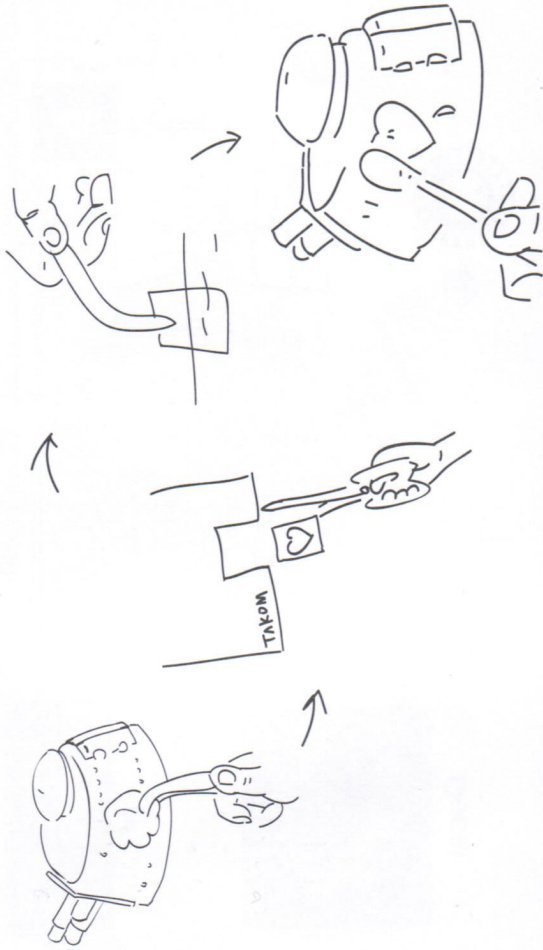
## PAINTS REQUIRED

- Color info and profiles by AMMO MIG.

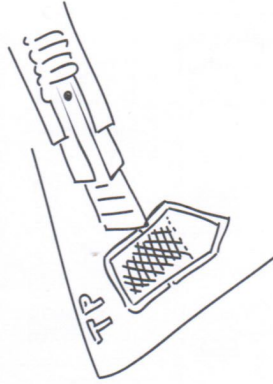


## APPLYING DECALS

1. Clean the model surface with a wet cloth.
2. Cut out each decal design from sheet, and dip it in tepid water for 15~20 sec.
3. Hold the backing sheet edge and slide decal onto the model.
4. Move decal into position by wetting decal with finger.
5. Press decal gently down with a soft cloth until excess water and air bubbles are gone.



## REMOVING PE

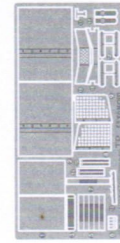
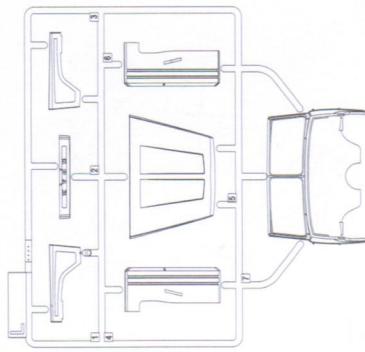
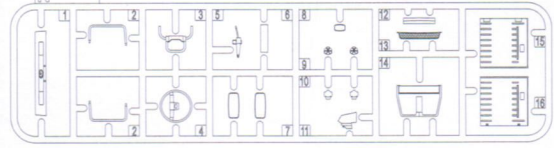
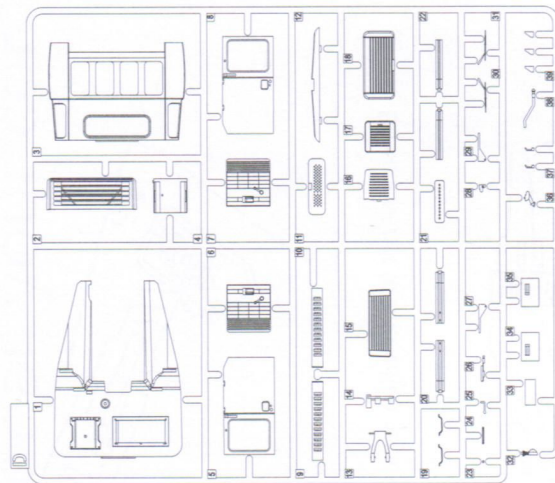
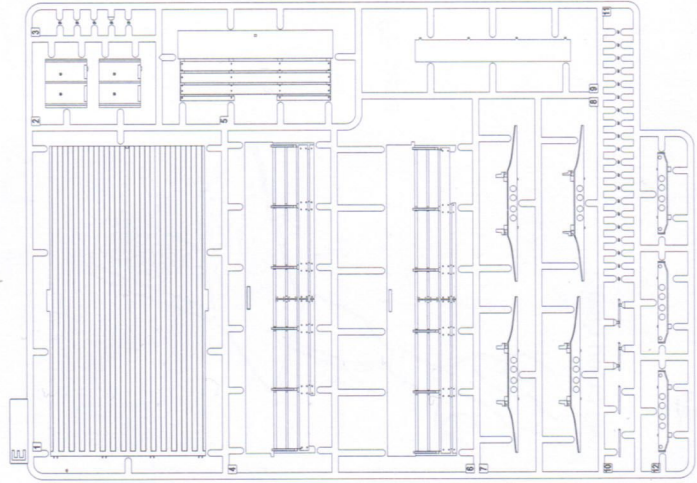
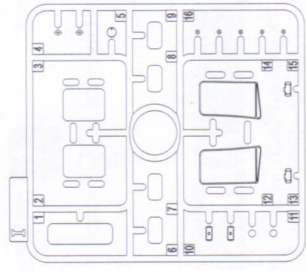
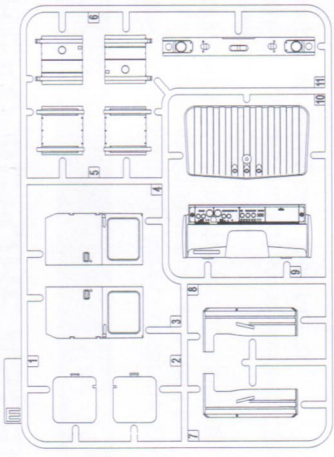
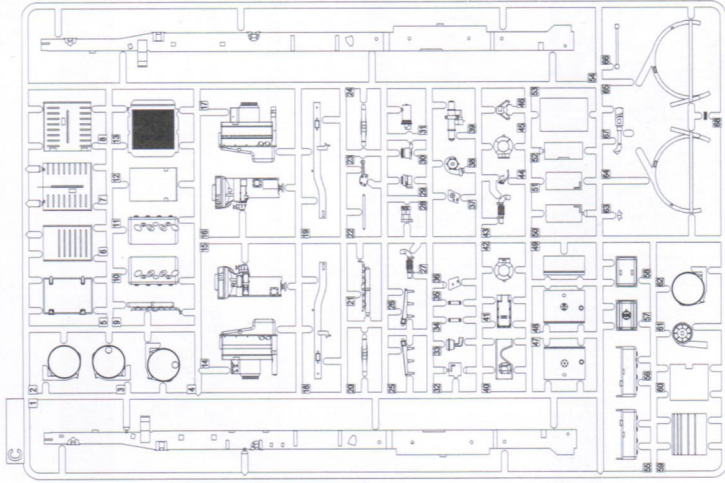
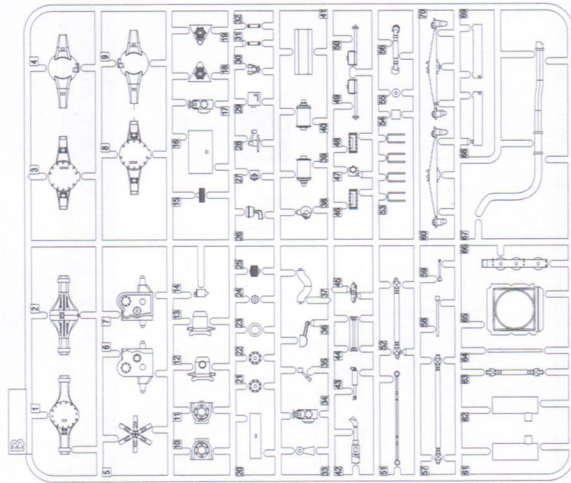
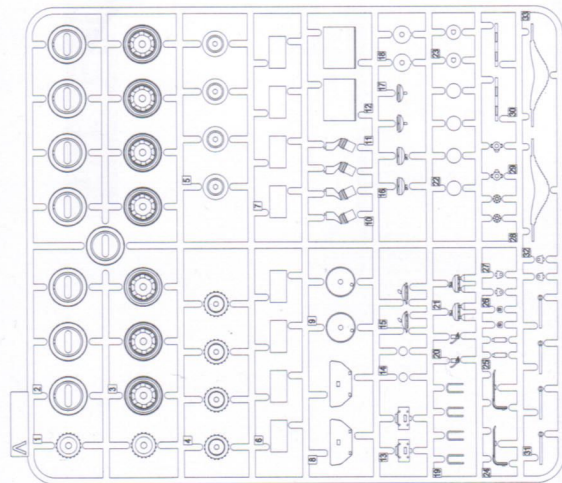


Be careful not to hurt when removing PE parts.

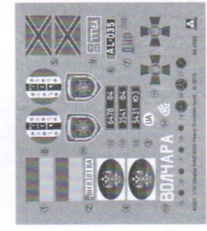


Finish using file.

Secure using instant glue (not included).



TP



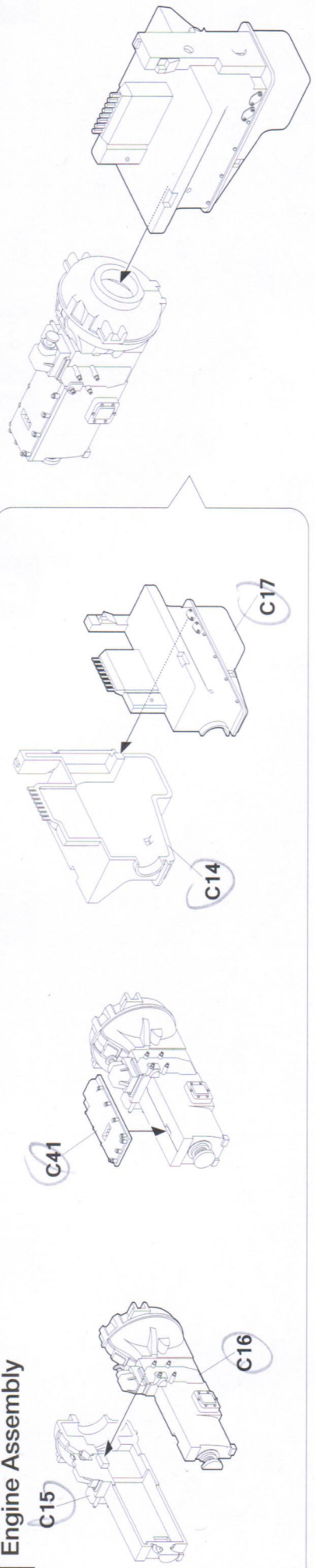
Decal



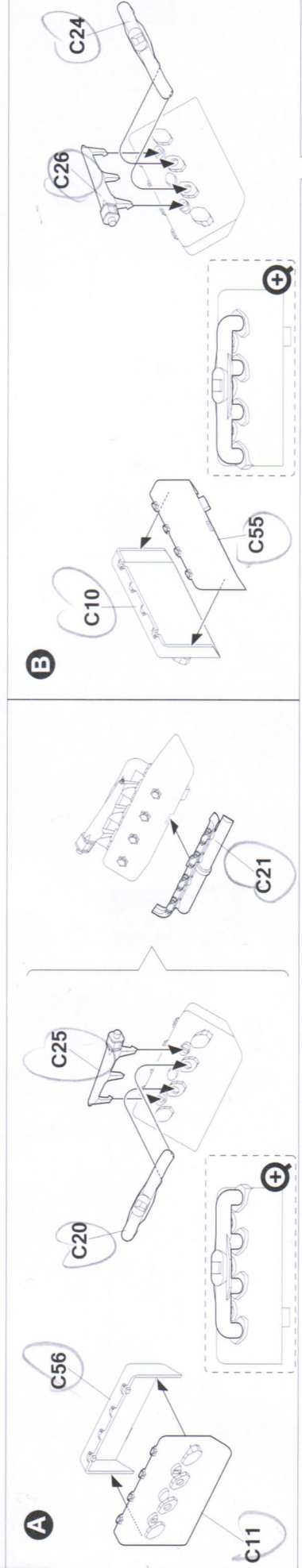
Tire x7

# 1

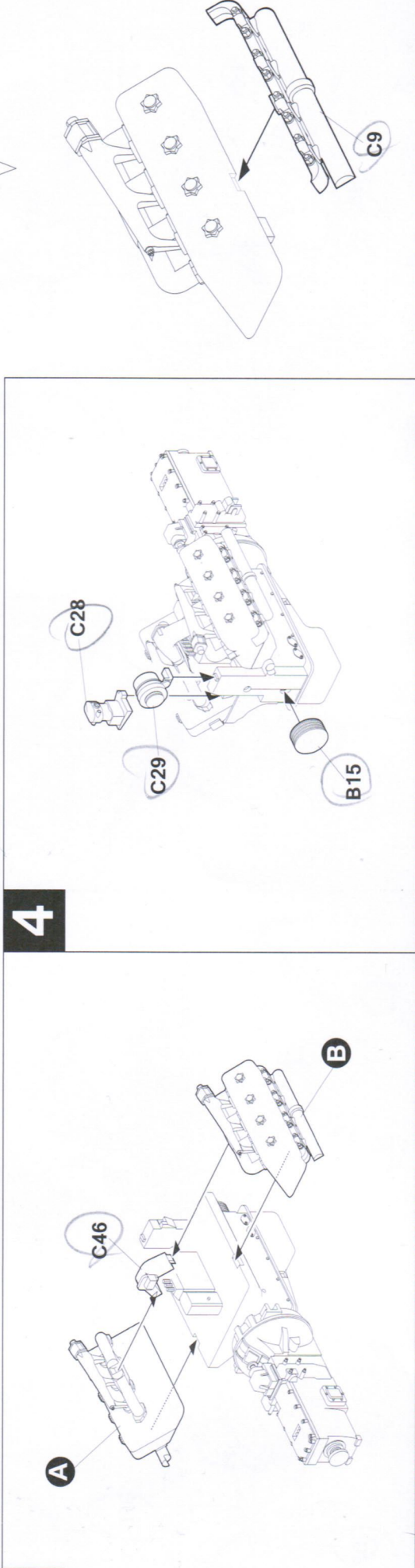
## Engine Assembly



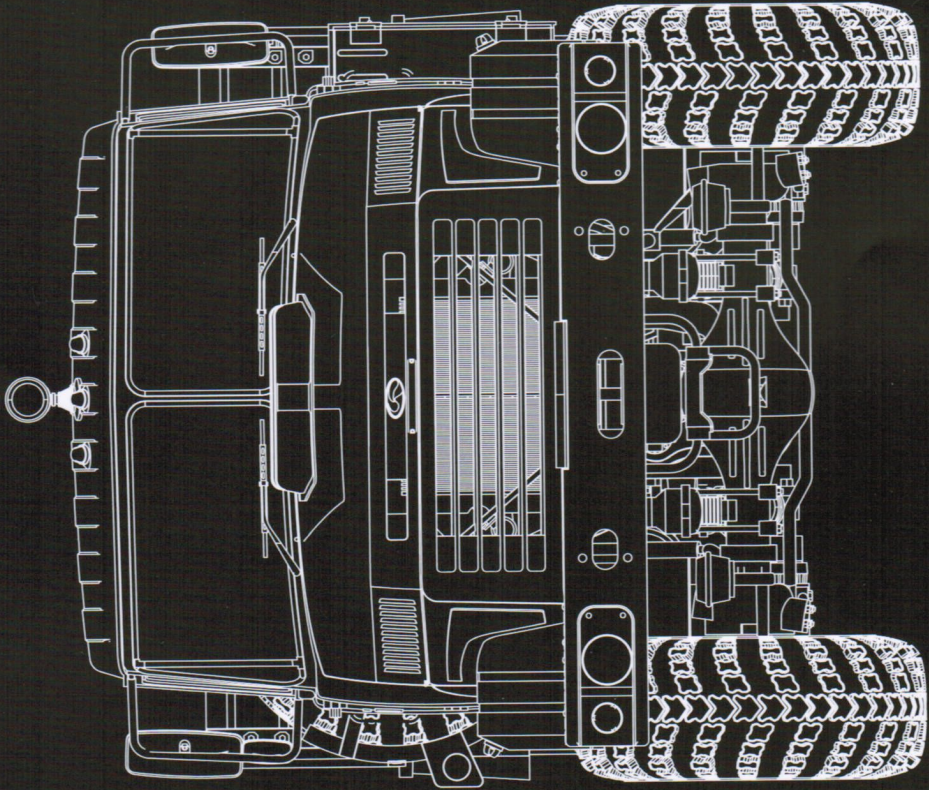
# 2



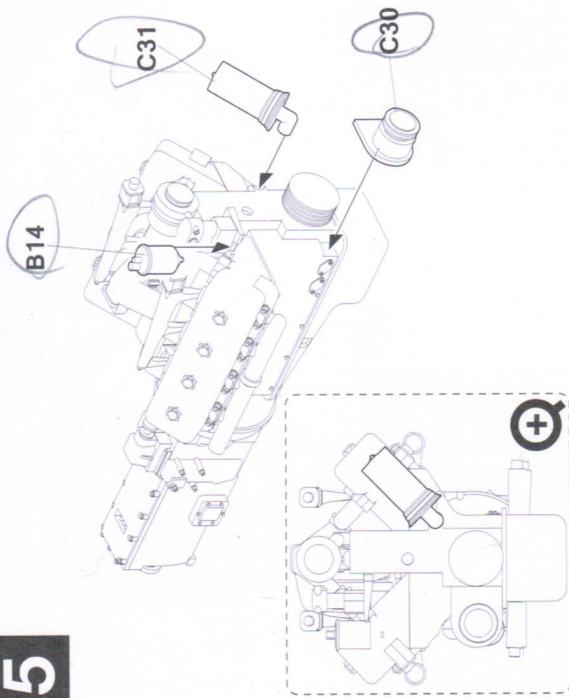
# 3



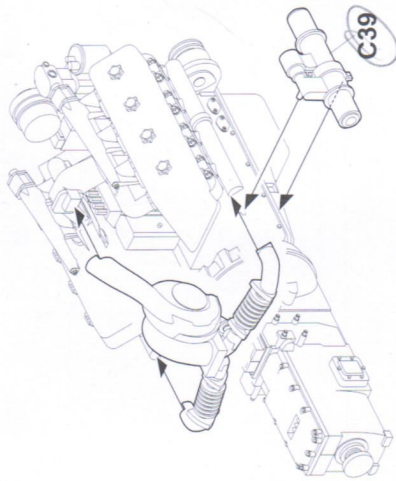
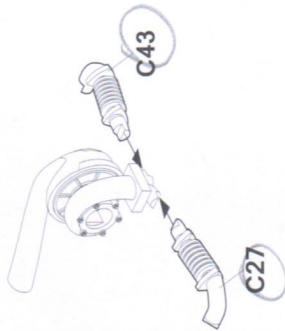
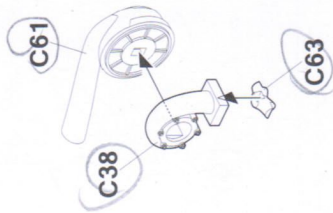
2015/2022



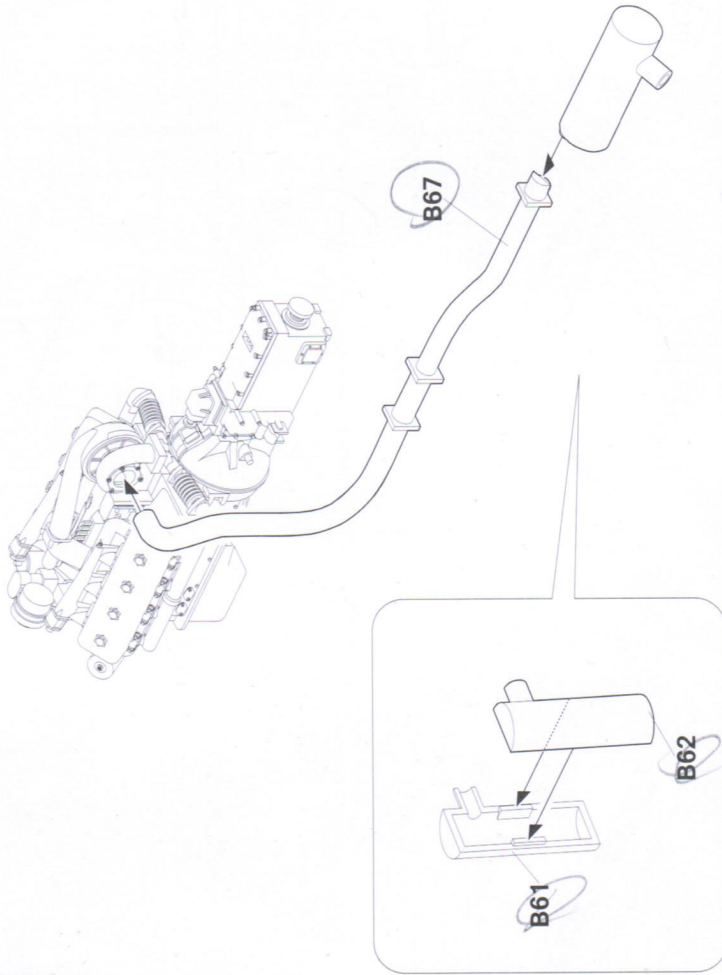
5



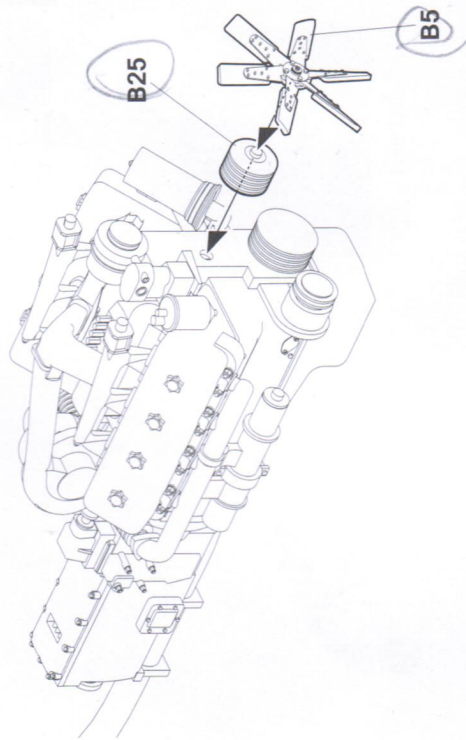
6



7

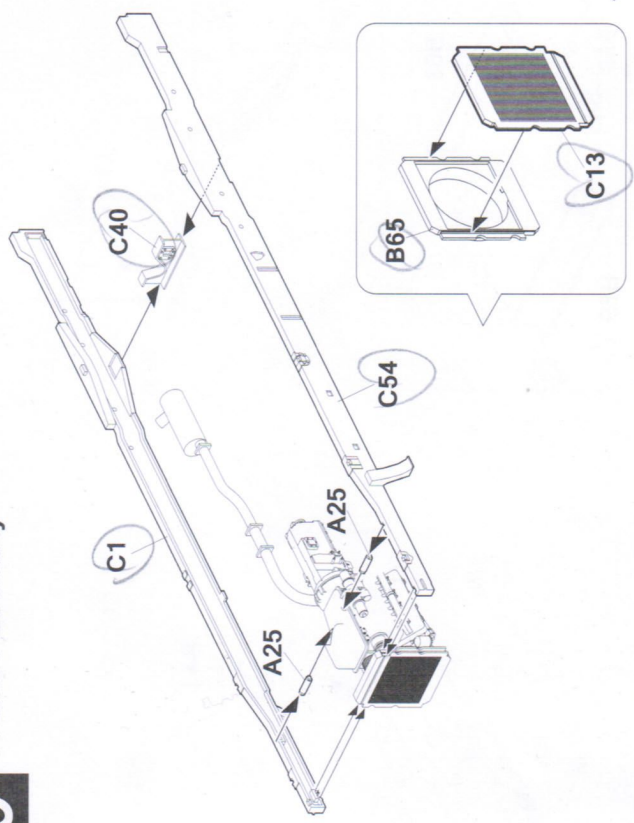


8

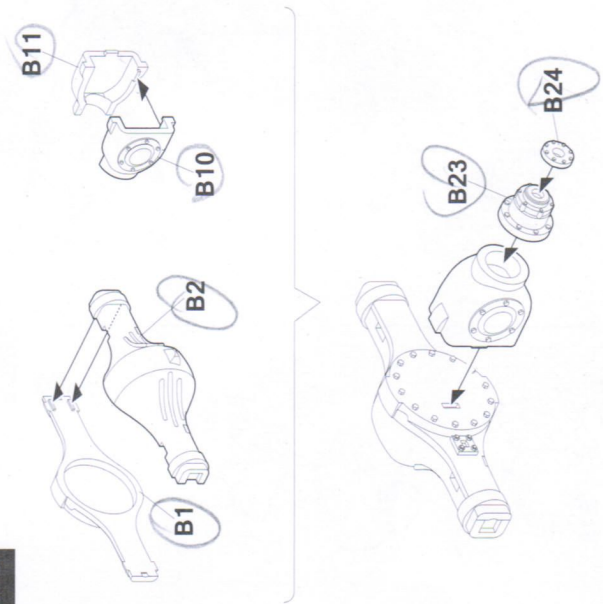


# 9 Frame Assembly

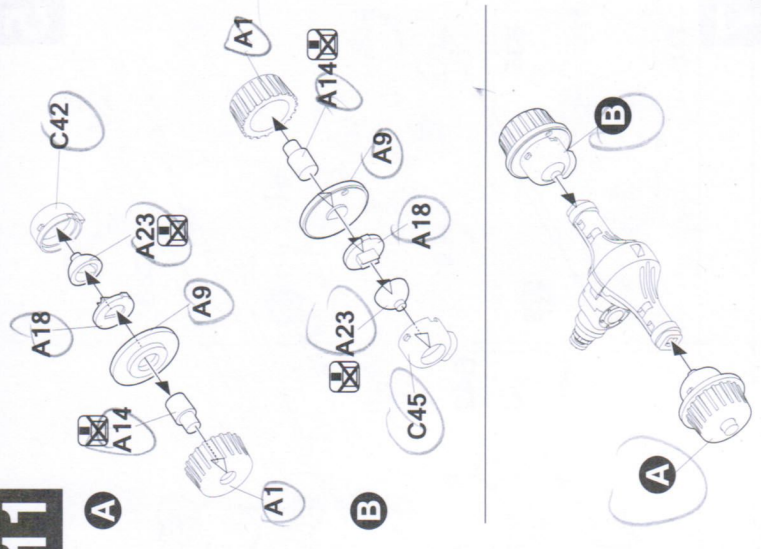
9



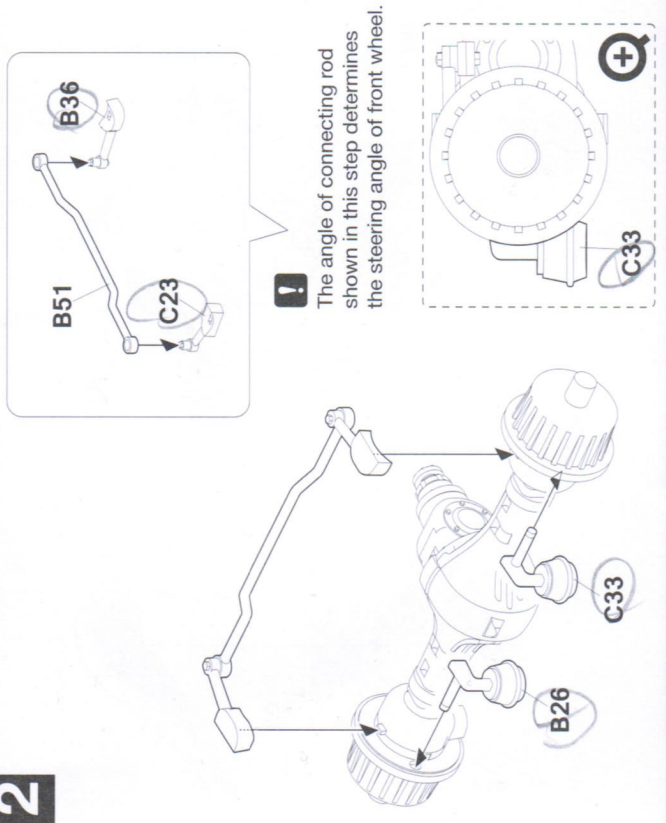
10



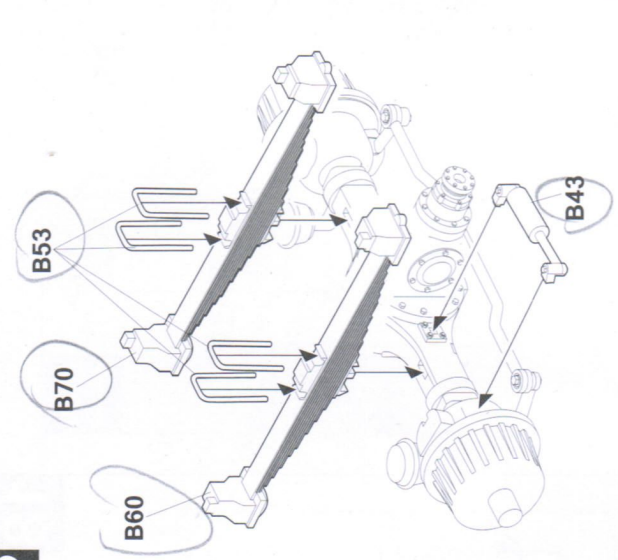
11



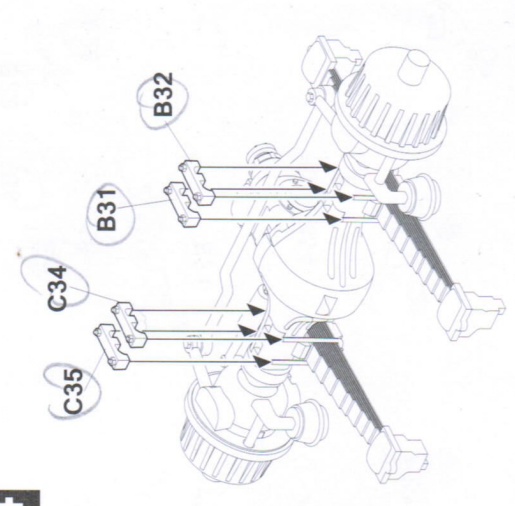
12



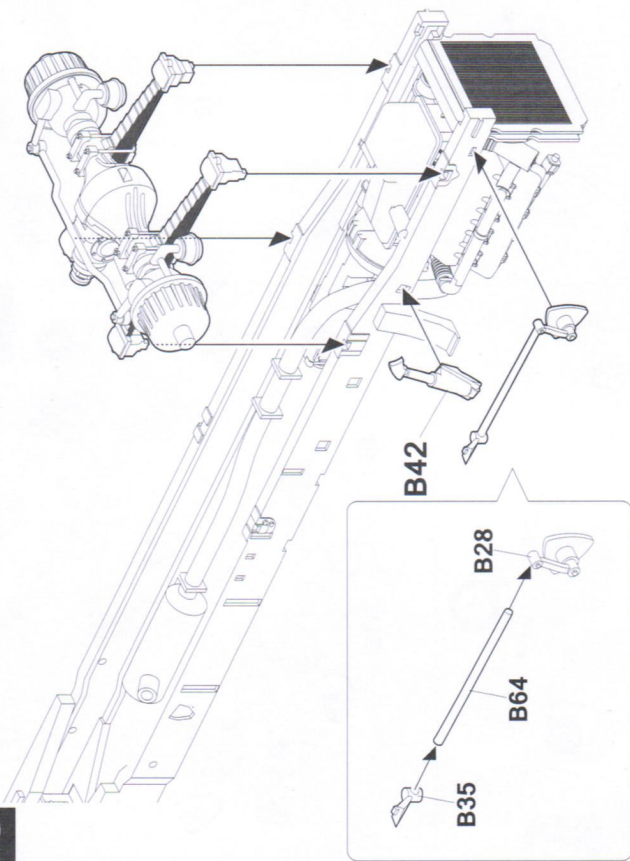
13



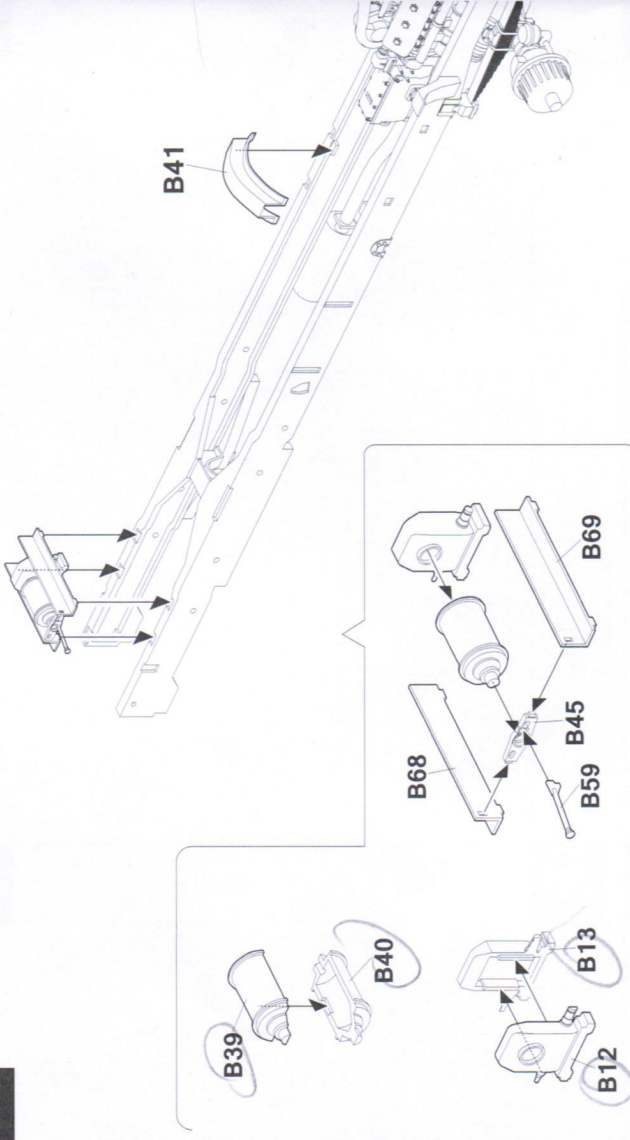
14



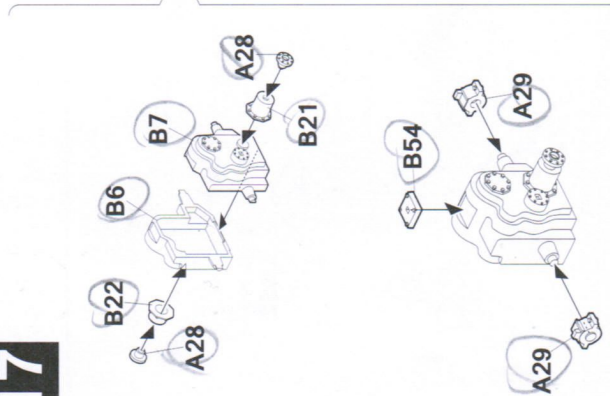
15



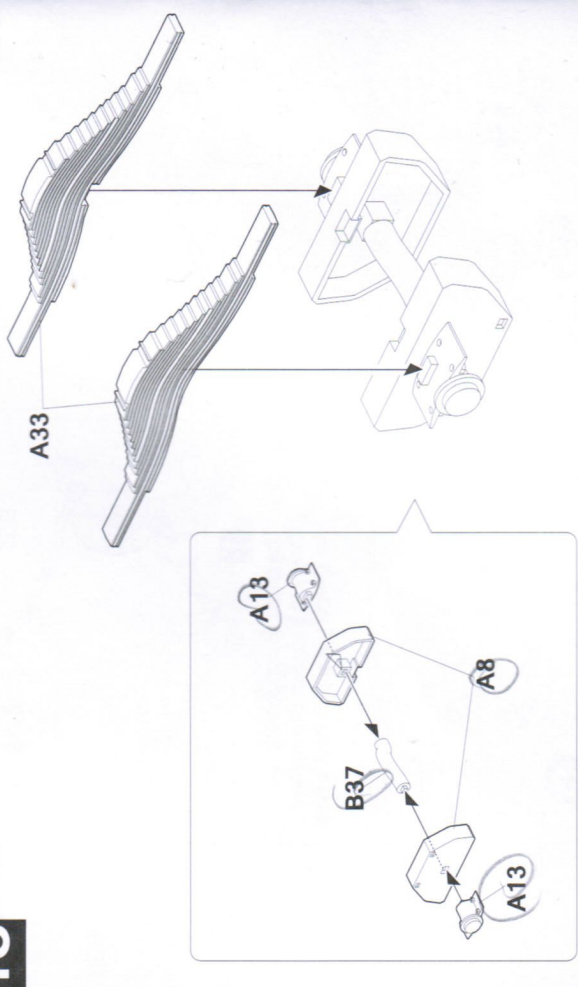
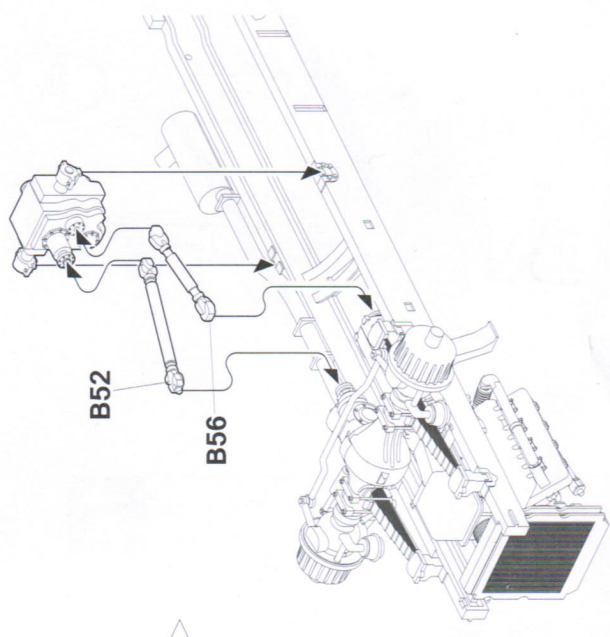
16



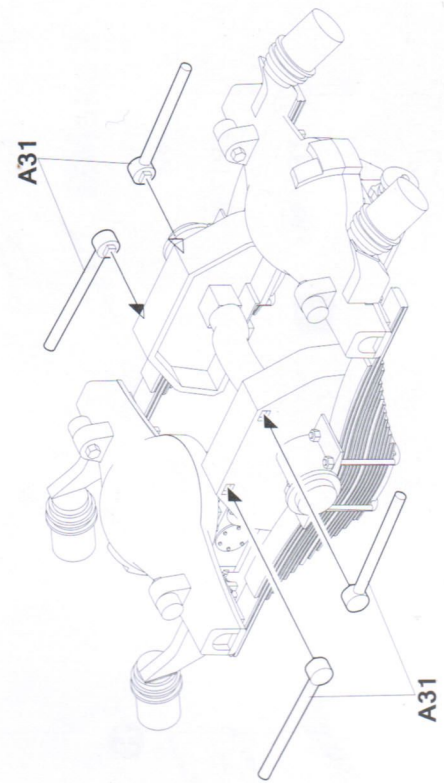
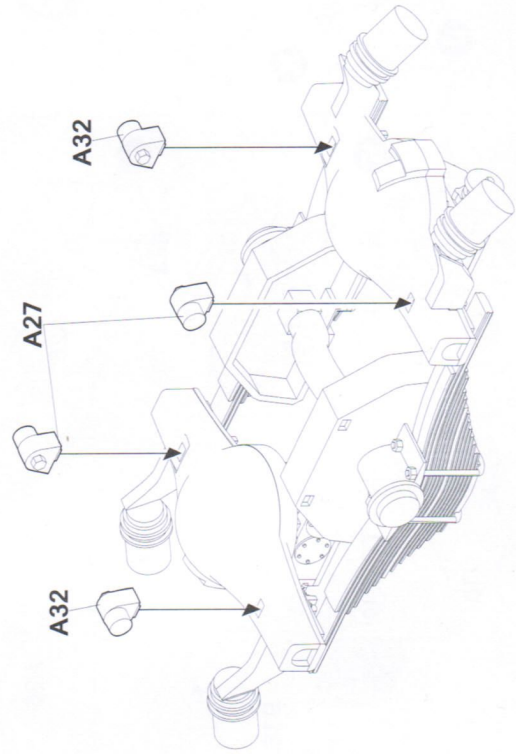
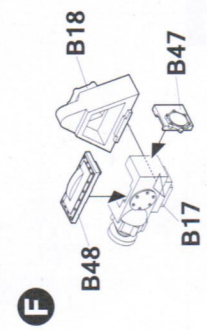
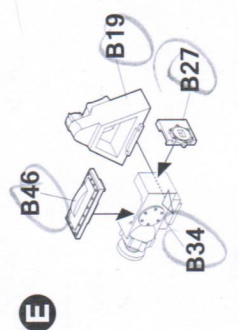
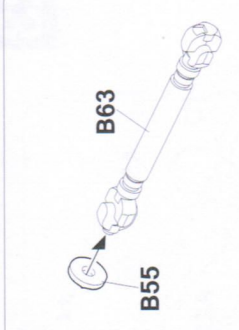
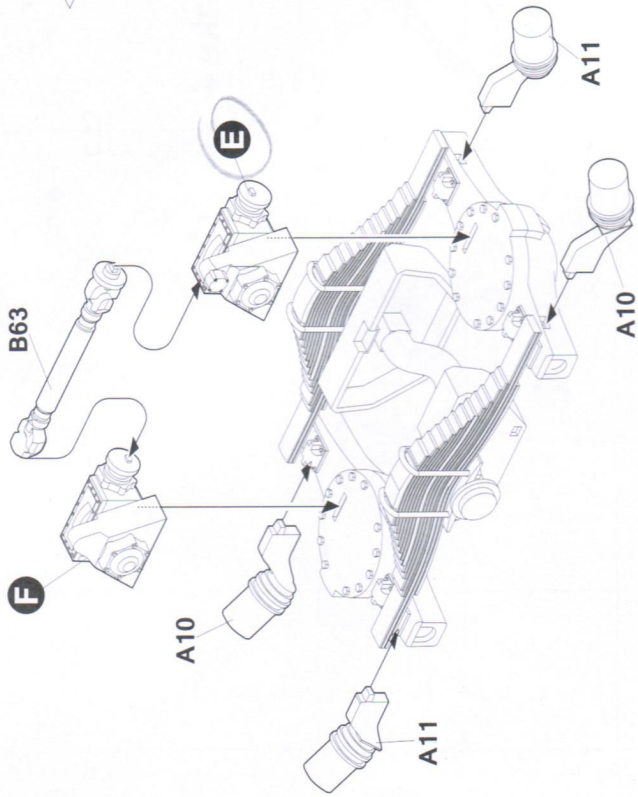
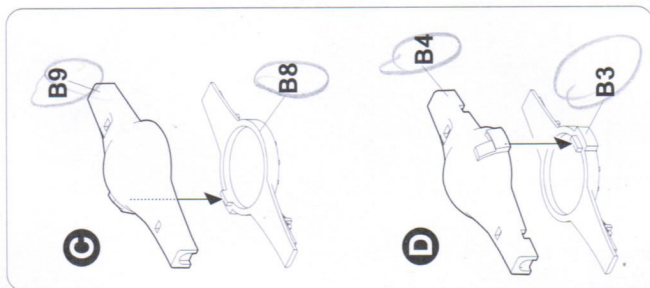
17

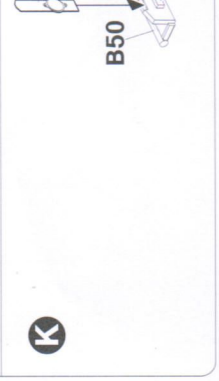
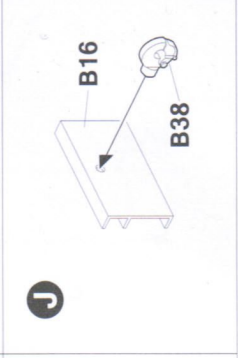
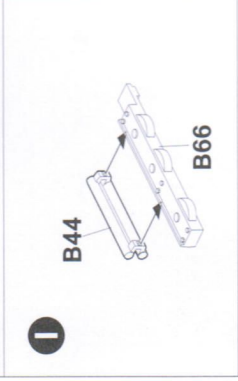
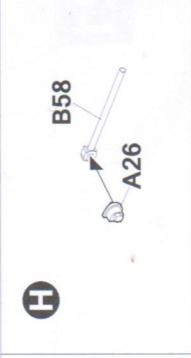
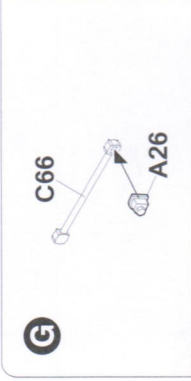
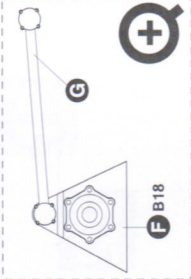
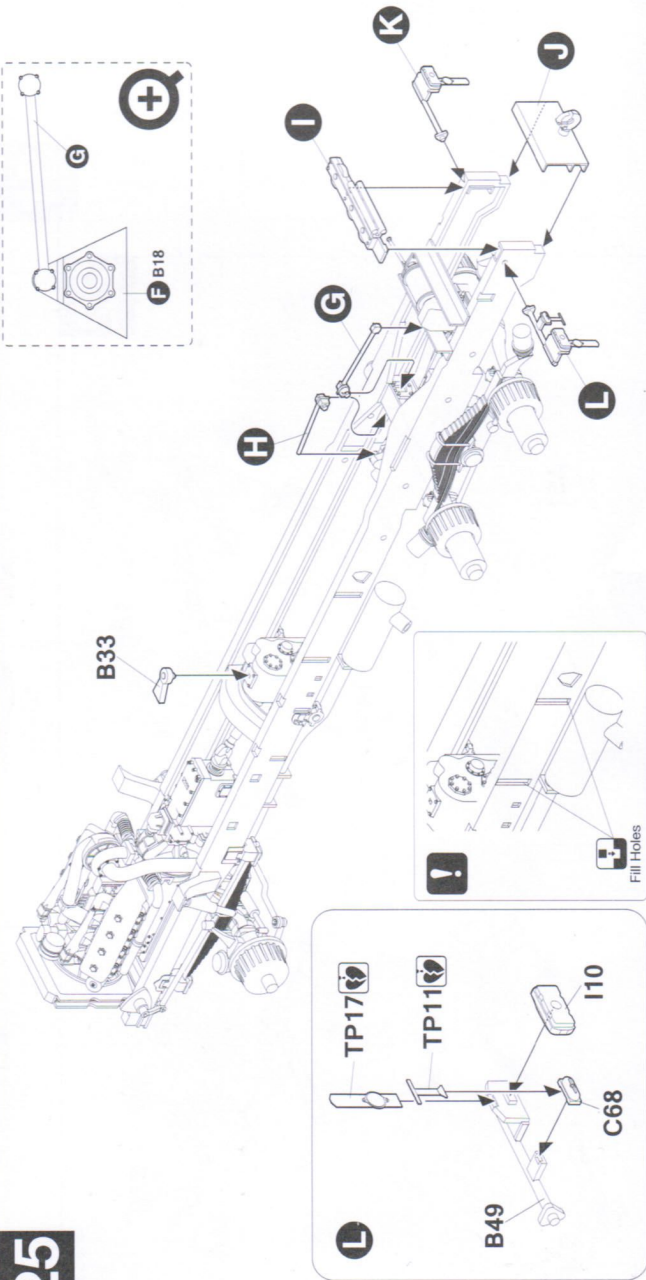
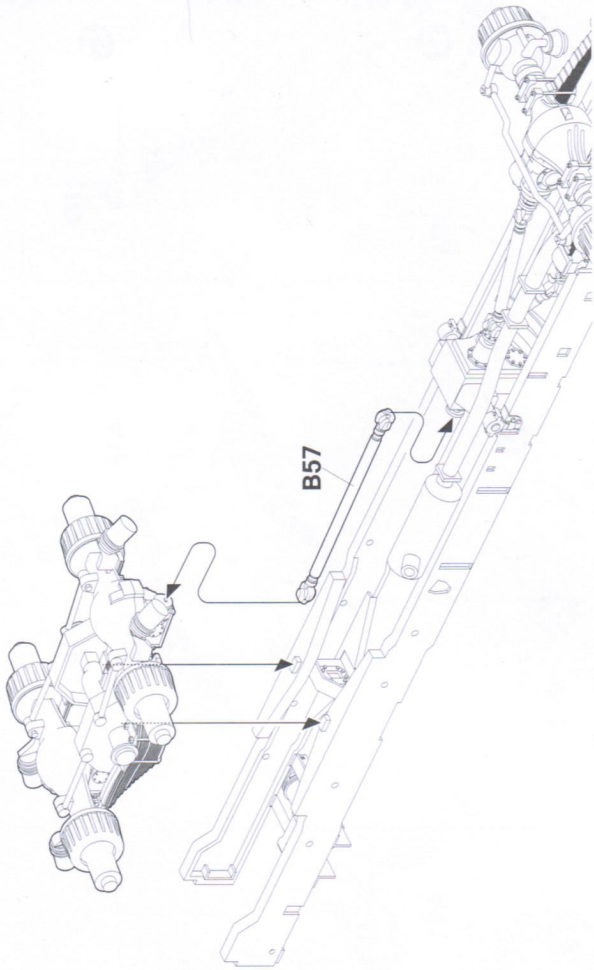
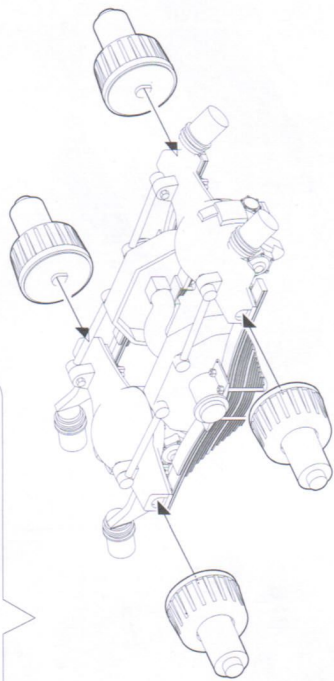
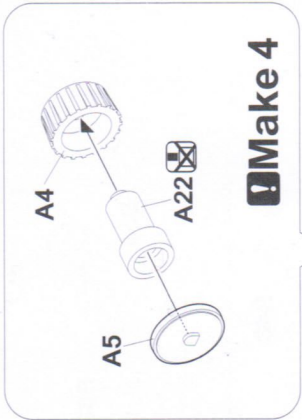


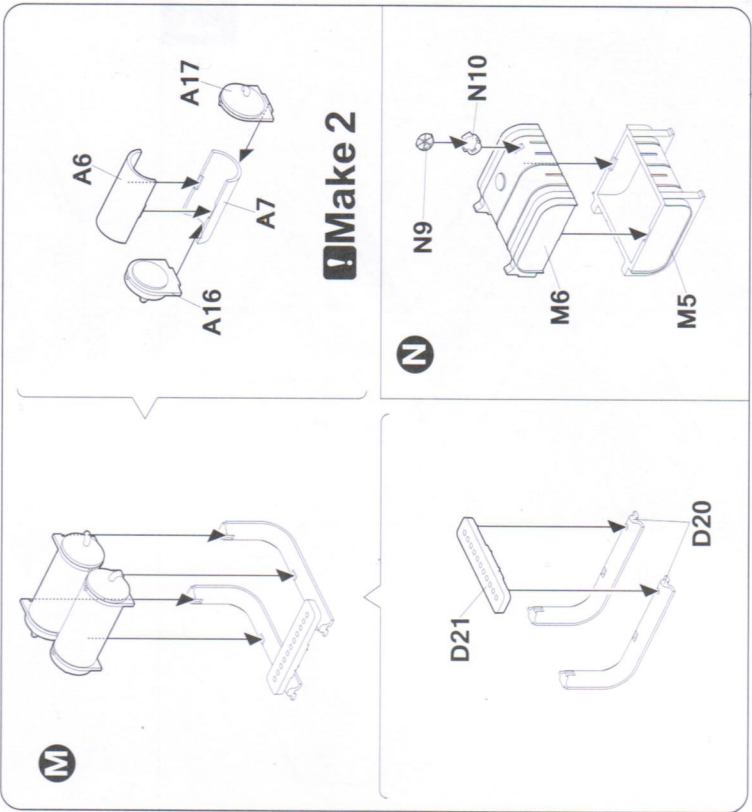
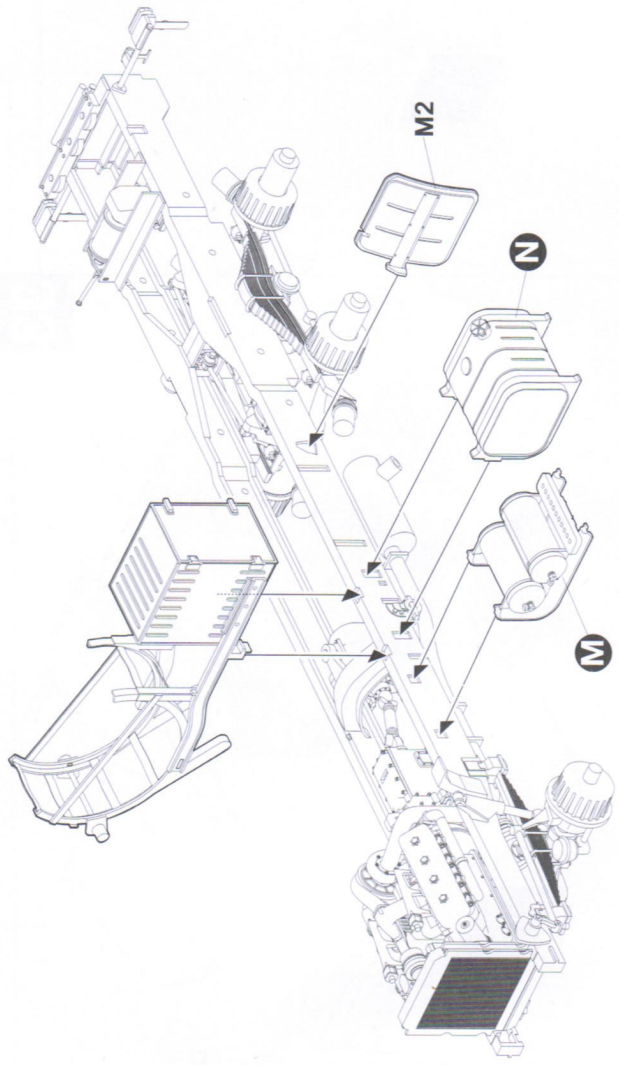
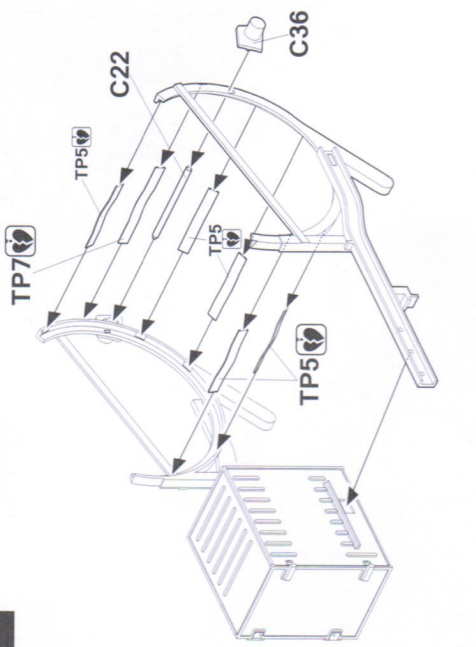
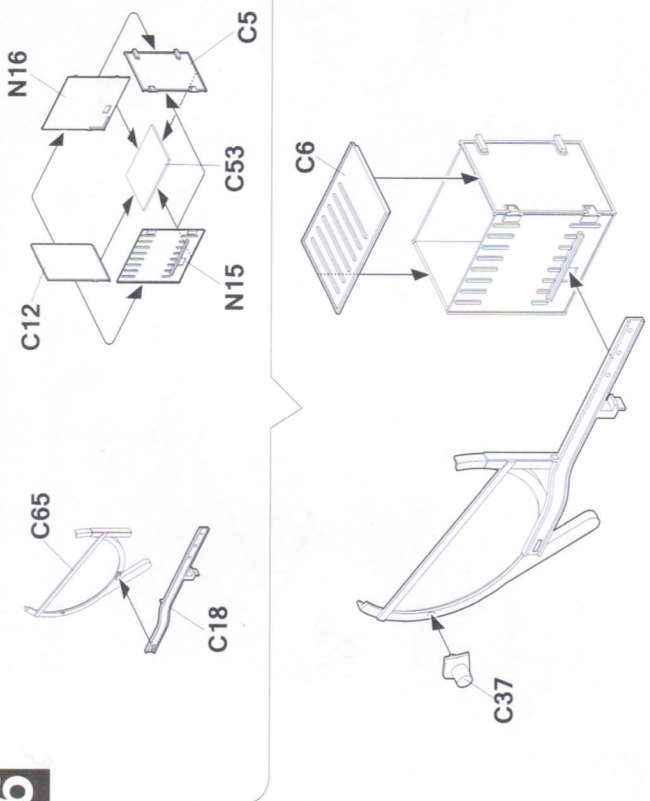
18



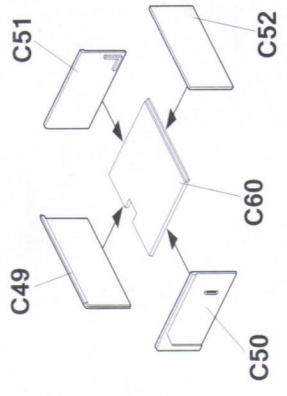
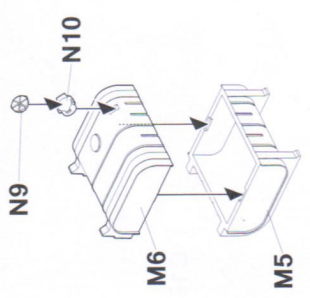




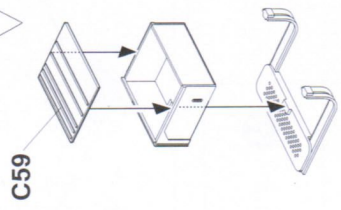
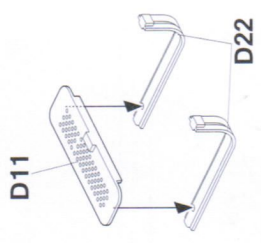




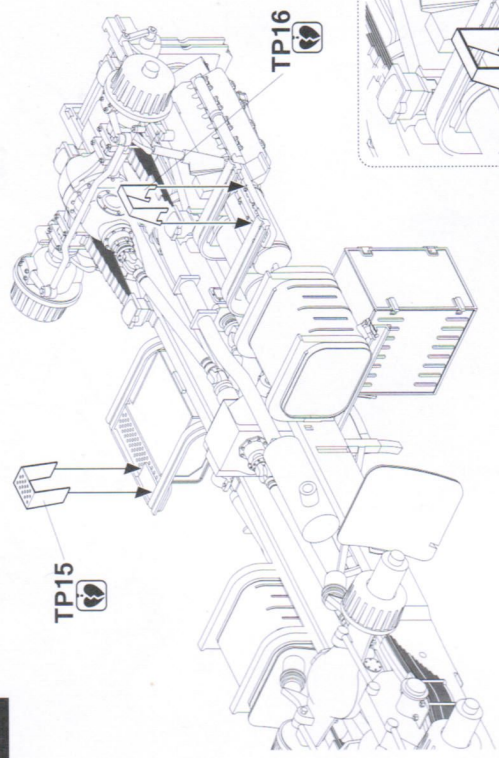
29



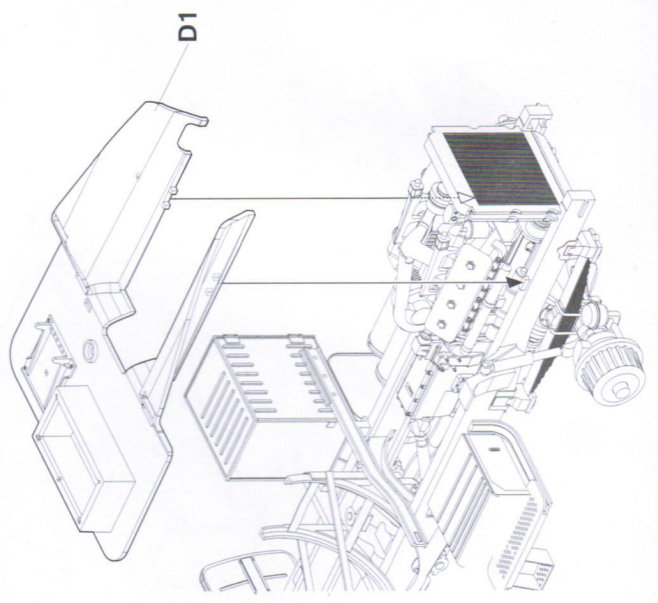
30



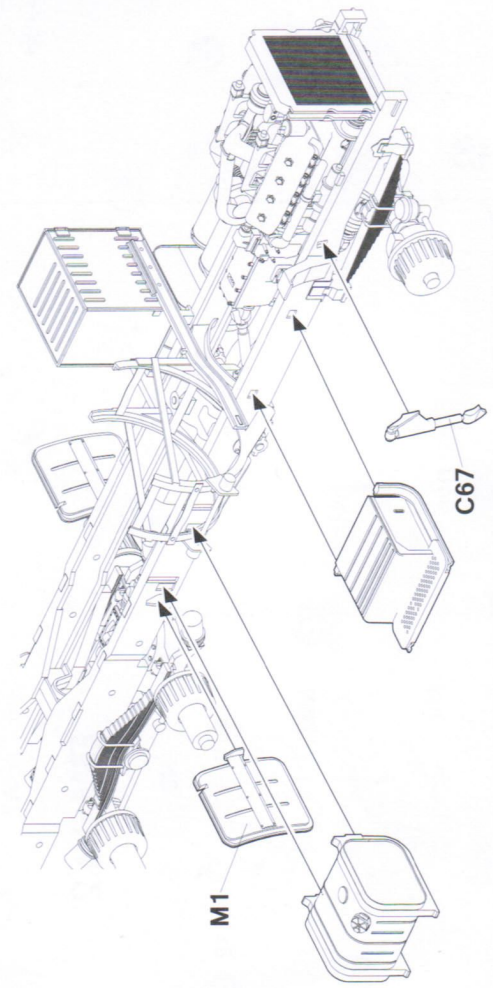
32



33

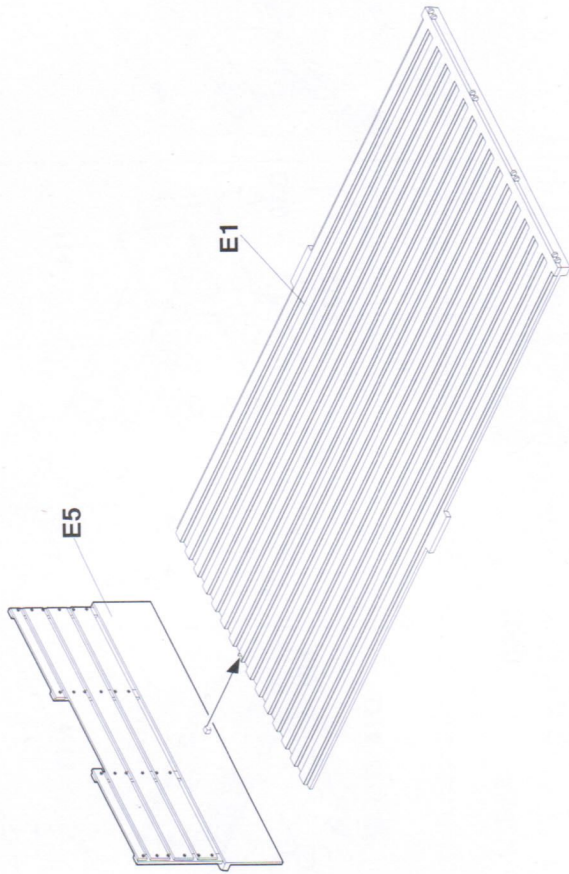


31

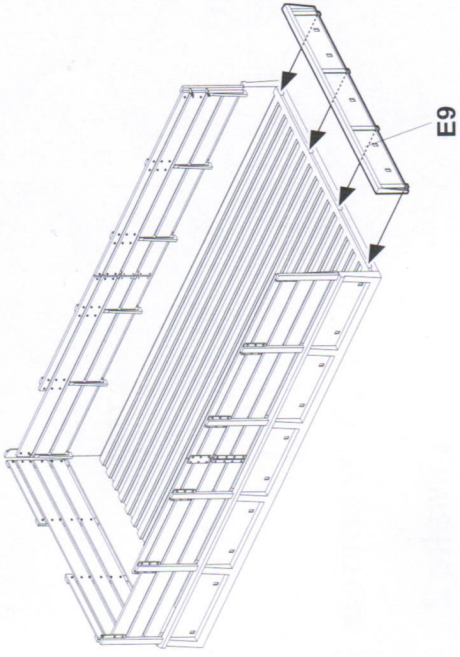


34

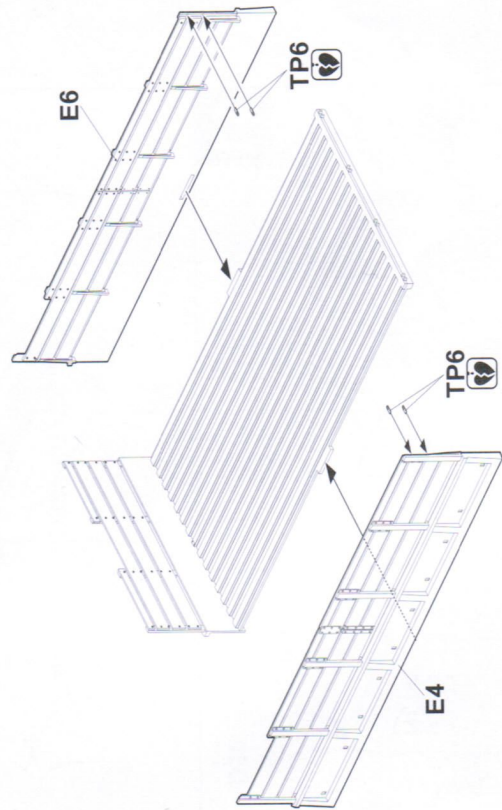
Container Assembly



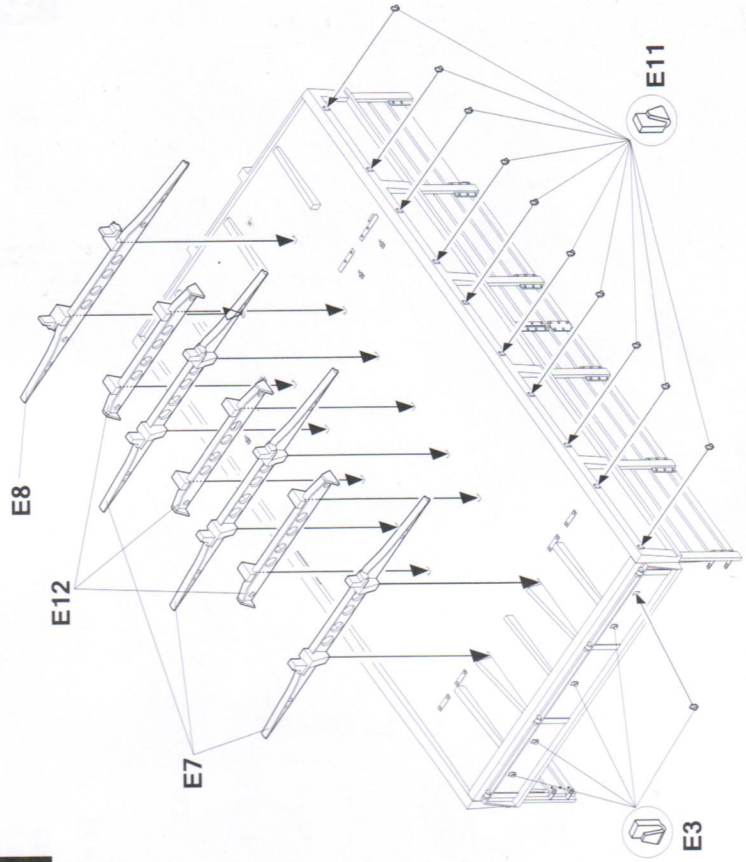
36

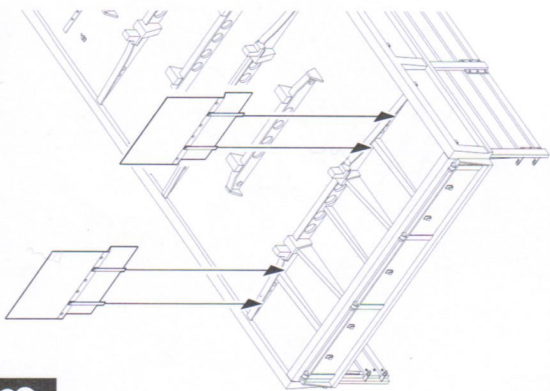


35

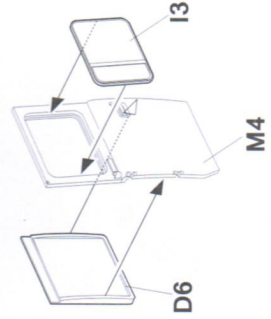
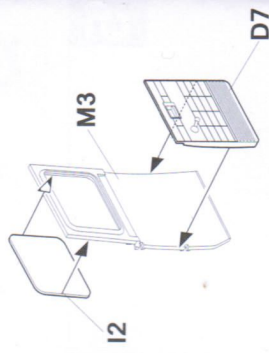
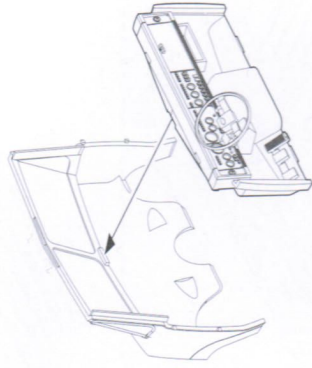
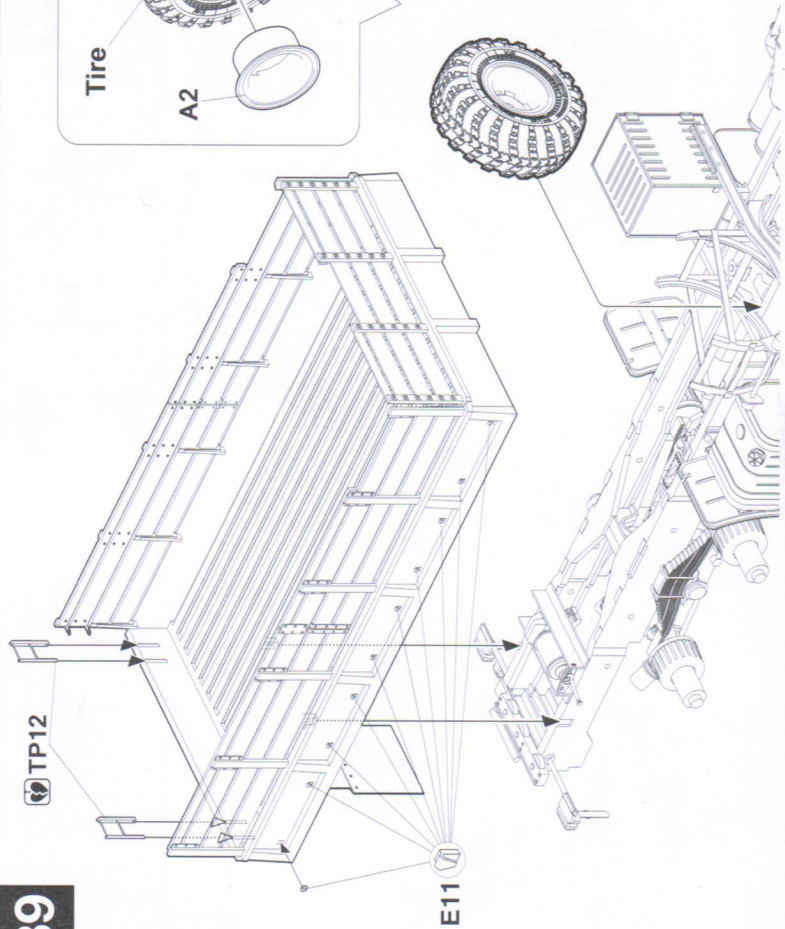
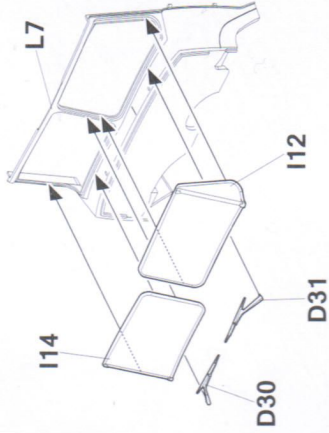
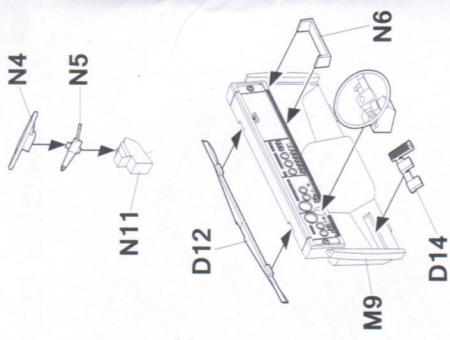
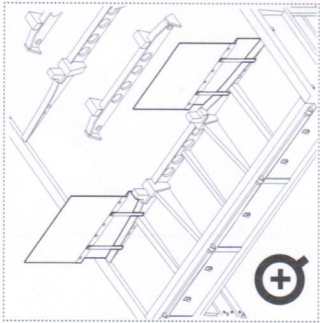


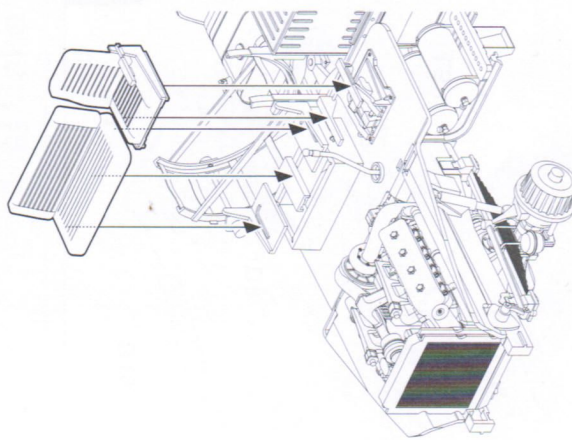
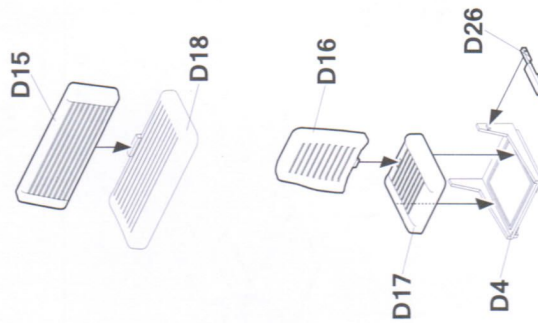
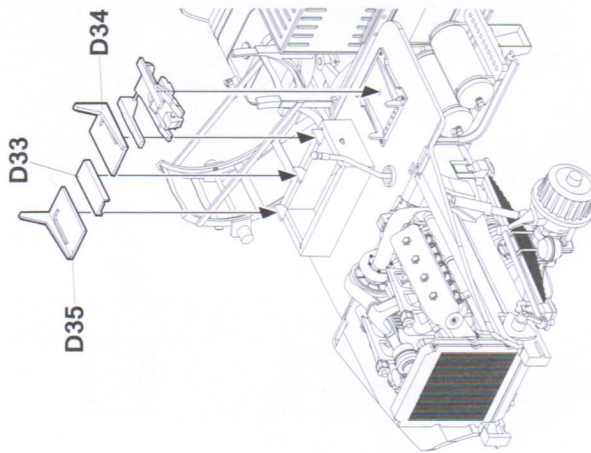
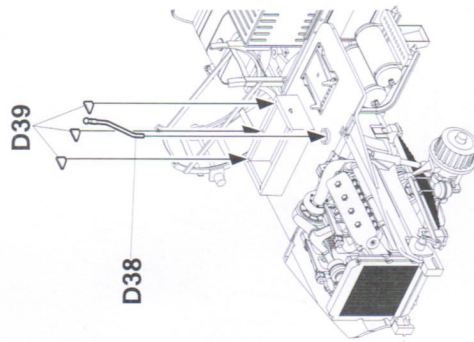
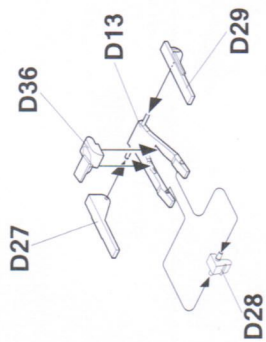
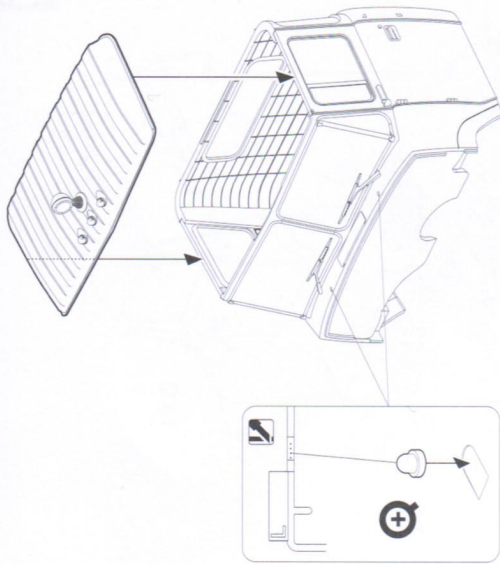
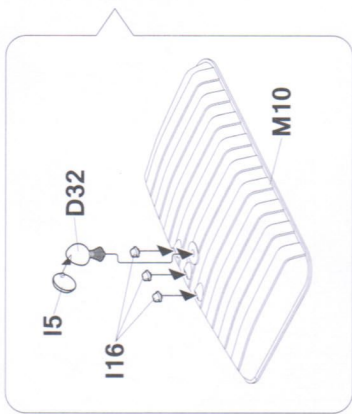
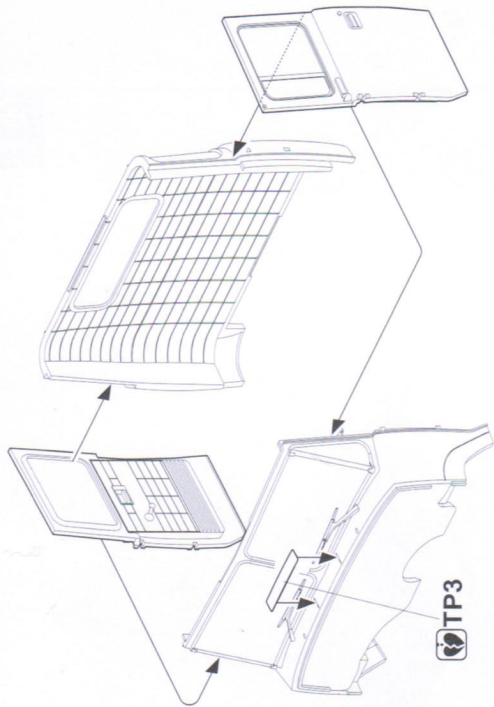
37



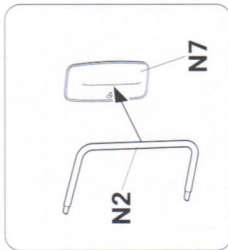
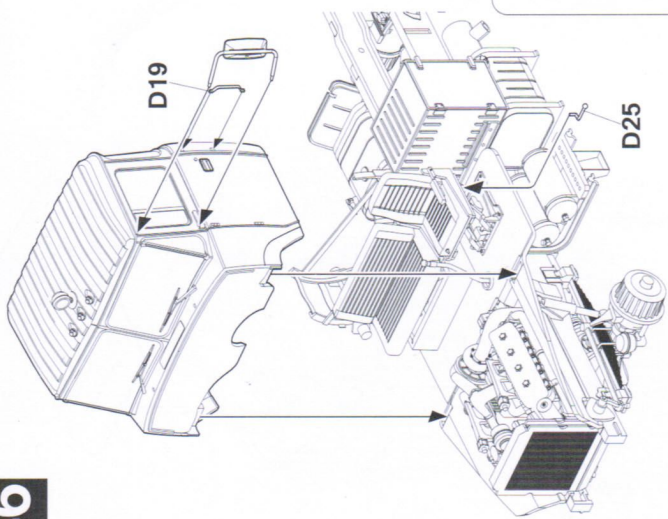


**Make 2**

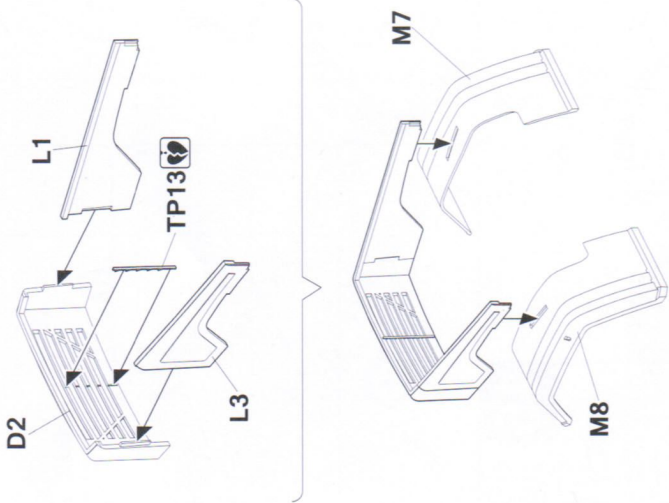




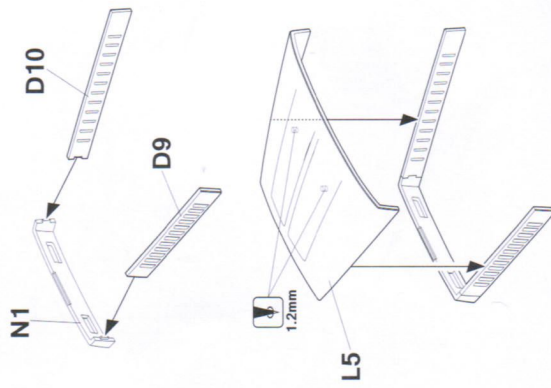
46



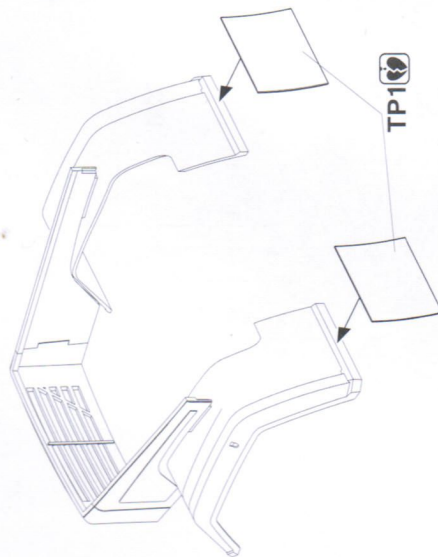
47



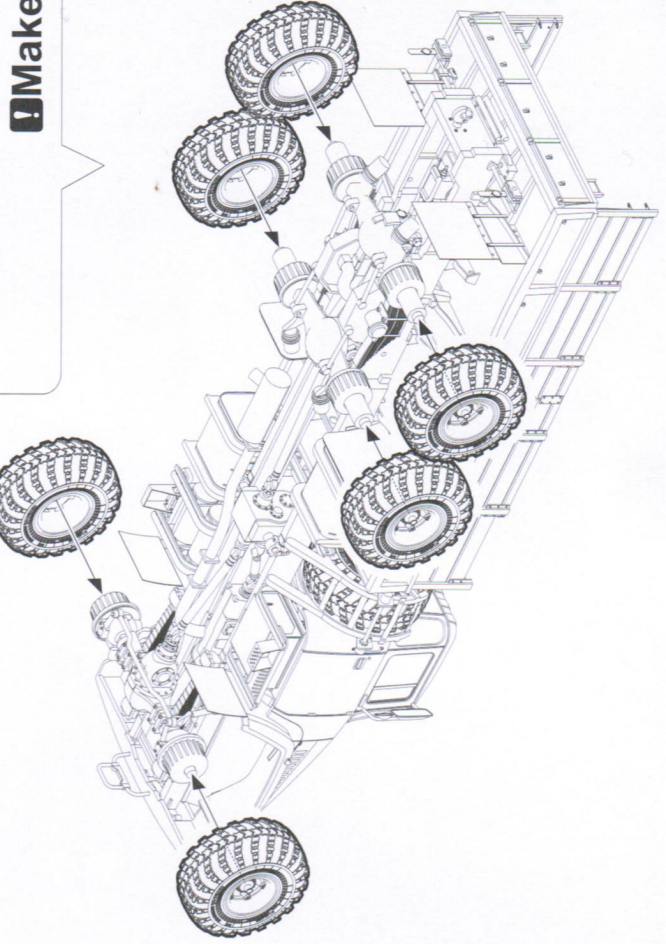
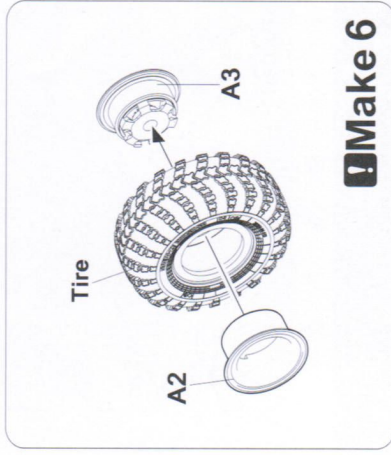
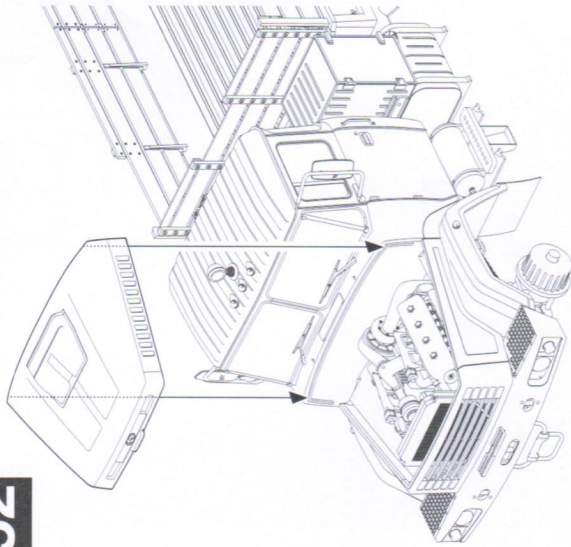
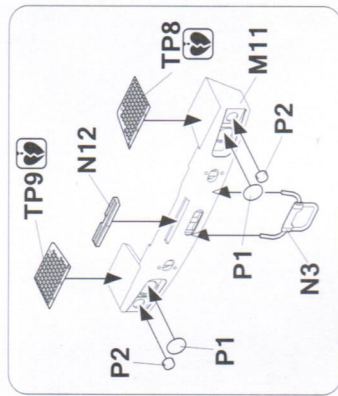
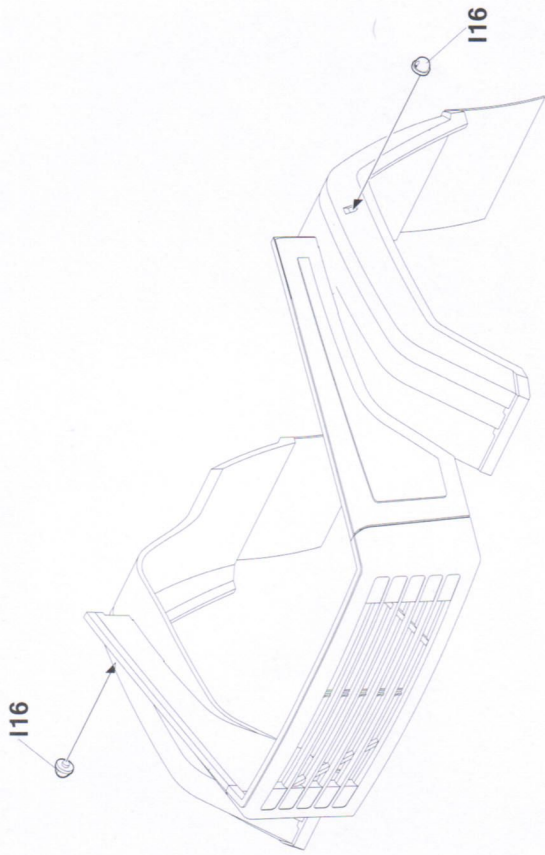
48



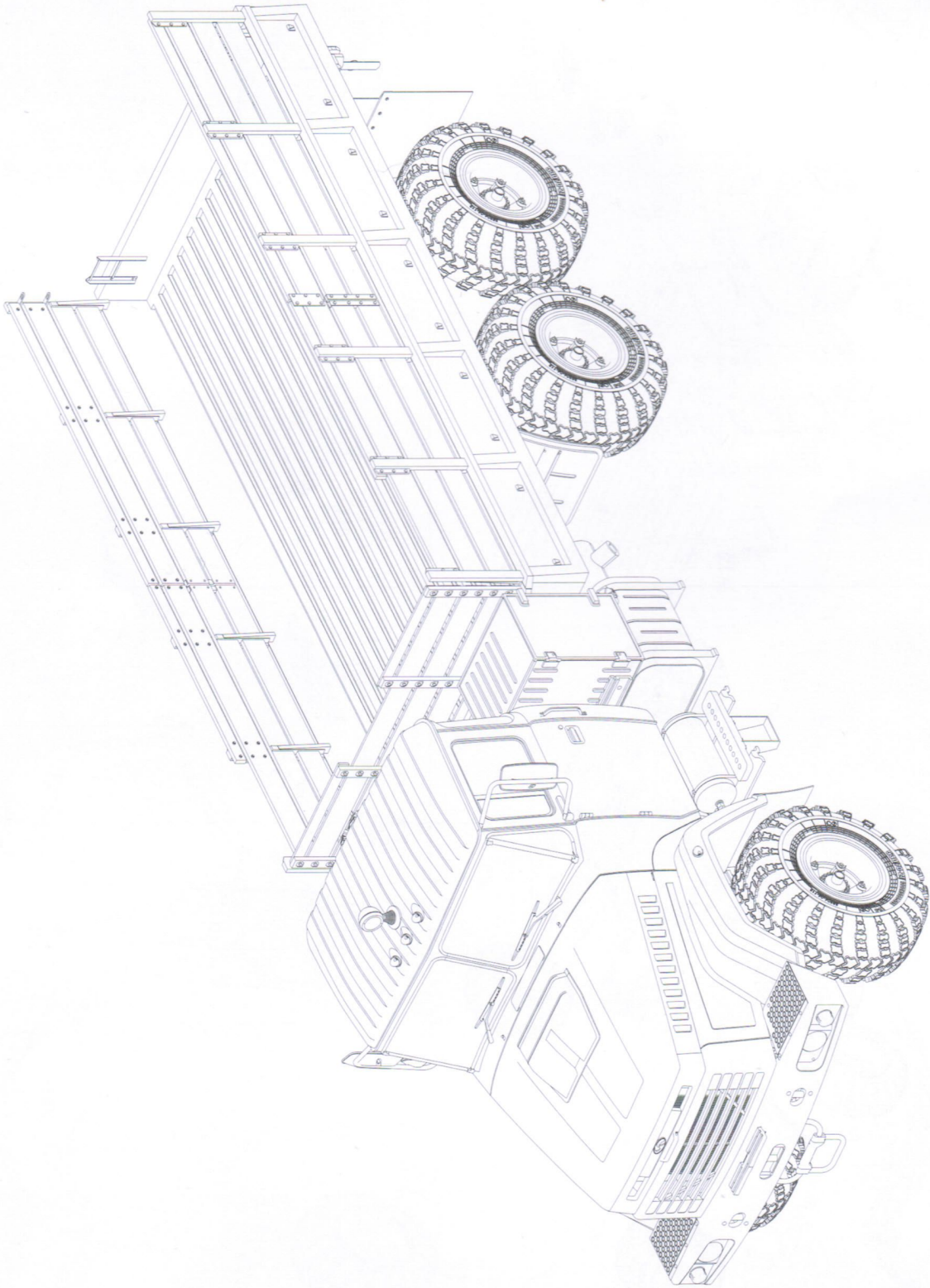
49







**Make 6**



# UKRAINE KRAZ-6446 TRACTOR

w/CHMZAP-5247G SEMI-TRAILER



A TRUCK ON TRACKS  
 A THE CHASSIS STRUCTURE IS REPRODUCED EXACTLY  
 AS THE ORIGINAL. THE TRACKS ARE MADE OF  
 METAL AND CAN BE OPEN OR CLOSED POSITION.  
 A COMPLETE SET OF PARTS FOR 2 VEHICLES IS  
 INCLUDED.  
 A 1/35 FIGURE IS INCLUDED.  
 A 1/35 SCALE PARTS LIST IS INCLUDED.



1/35  
NO.2019

# HEAVY TRUCK

# RUSSIAN KRAZ-260

A TRUCK ON TRACKS  
 A THE CHASSIS STRUCTURE IS REPRODUCED EXACTLY  
 AS THE ORIGINAL. THE TRACKS ARE MADE OF  
 METAL AND CAN BE OPEN OR CLOSED POSITION.  
 A COMPLETE SET OF PARTS FOR 2 VEHICLES IS  
 INCLUDED.  
 A 1/35 FIGURE IS INCLUDED.  
 A 1/35 SCALE PARTS LIST IS INCLUDED.



1/35  
NO.2016

## SOVIET SUPER HEAVY TANK

# KW-5

DETAILED STATIC DISPLAY PLASTIC MODEL.  
 METAL GUN BARREL INCLUDED.  
 PEACOCK PARTS INCLUDED.  
 A 1/35 FIGURE IS INCLUDED.  
 2 TYPES OF MARKINGS.  
 COLORED PE. 3 MODELS FOR CHOICE.  
 ORIGINAL TRIPLET PARTS FOR 2 VERSIONS.  
 A 1/35 FIGURE IS INCLUDED.  
 DECALS.  
 A 1/35 FIGURE IS INCLUDED.  
 COLORED PE. 3 MODELS FOR CHOICE.  
 ORIGINAL TRIPLET PARTS FOR 2 VERSIONS.  
 A 1/35 FIGURE IS INCLUDED.  
 DECALS.

TAKOM  
 1/35  
 NO.2006

## OBJECT 279

# 3 IN 1

DETAILED STATIC DISPLAY PLASTIC MODEL.  
 ORIGINAL TRIPLET PARTS FOR 2 VERSIONS.  
 COLORED PE. 3 MODELS FOR CHOICE.  
 A 1/35 FIGURE IS INCLUDED.  
 DECALS.  
 A 1/35 FIGURE IS INCLUDED.  
 COLORED PE. 3 MODELS FOR CHOICE.  
 ORIGINAL TRIPLET PARTS FOR 2 VERSIONS.  
 A 1/35 FIGURE IS INCLUDED.  
 DECALS.

TAKOM  
 1/35  
 NO.2001



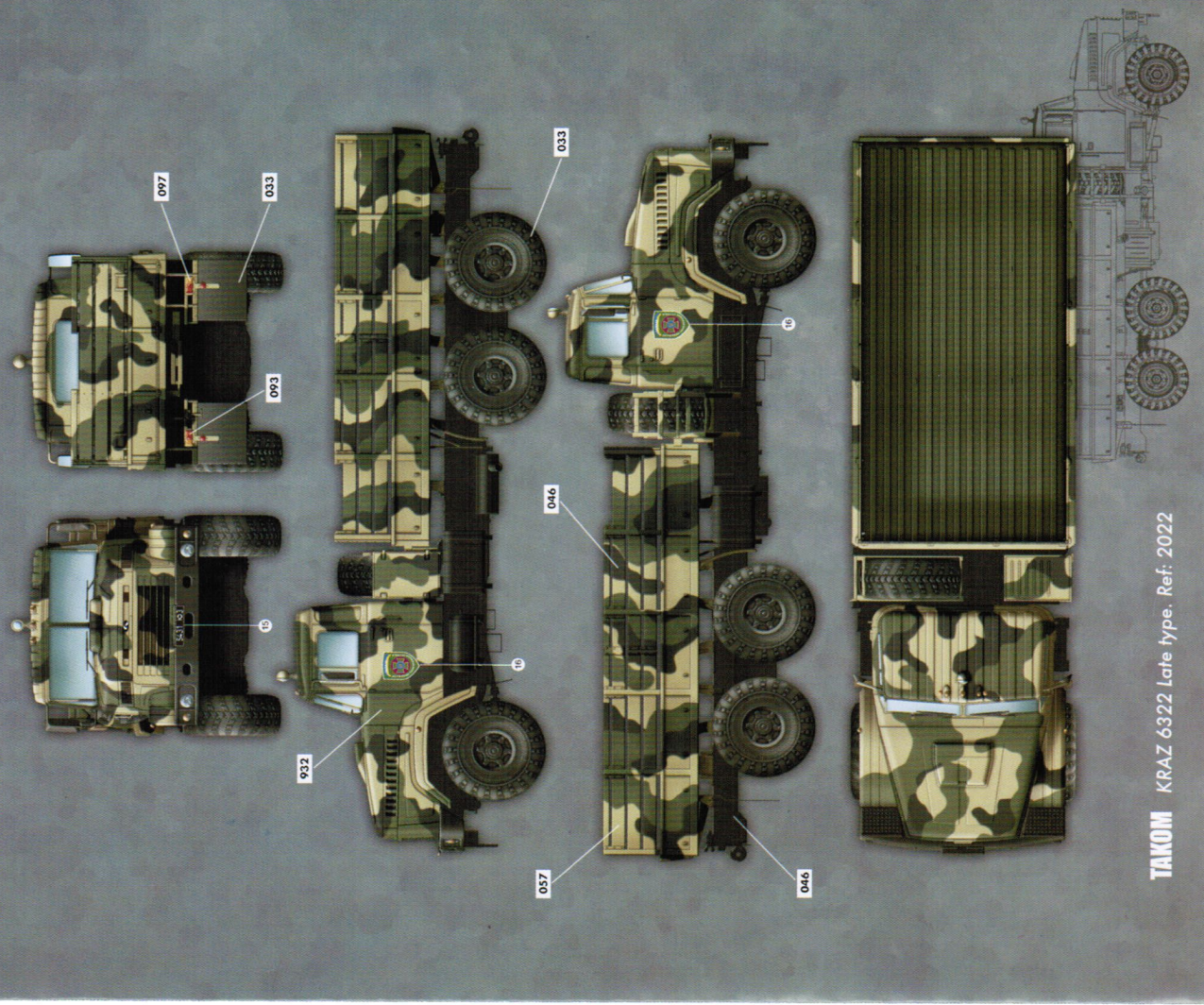
# KRAZ 6322 Late type



## Painting and Marking Guide

Ukraine Border Control Units

- A.MIG 046** Matt Black
- A.MIG 097** Crystal Orange
- A.MIG 093** Crystal Red
- A.MIG 033** Rubber & Tires
- A.MIG 032** Russian Base
- A.MIG 037** Yellow Grey





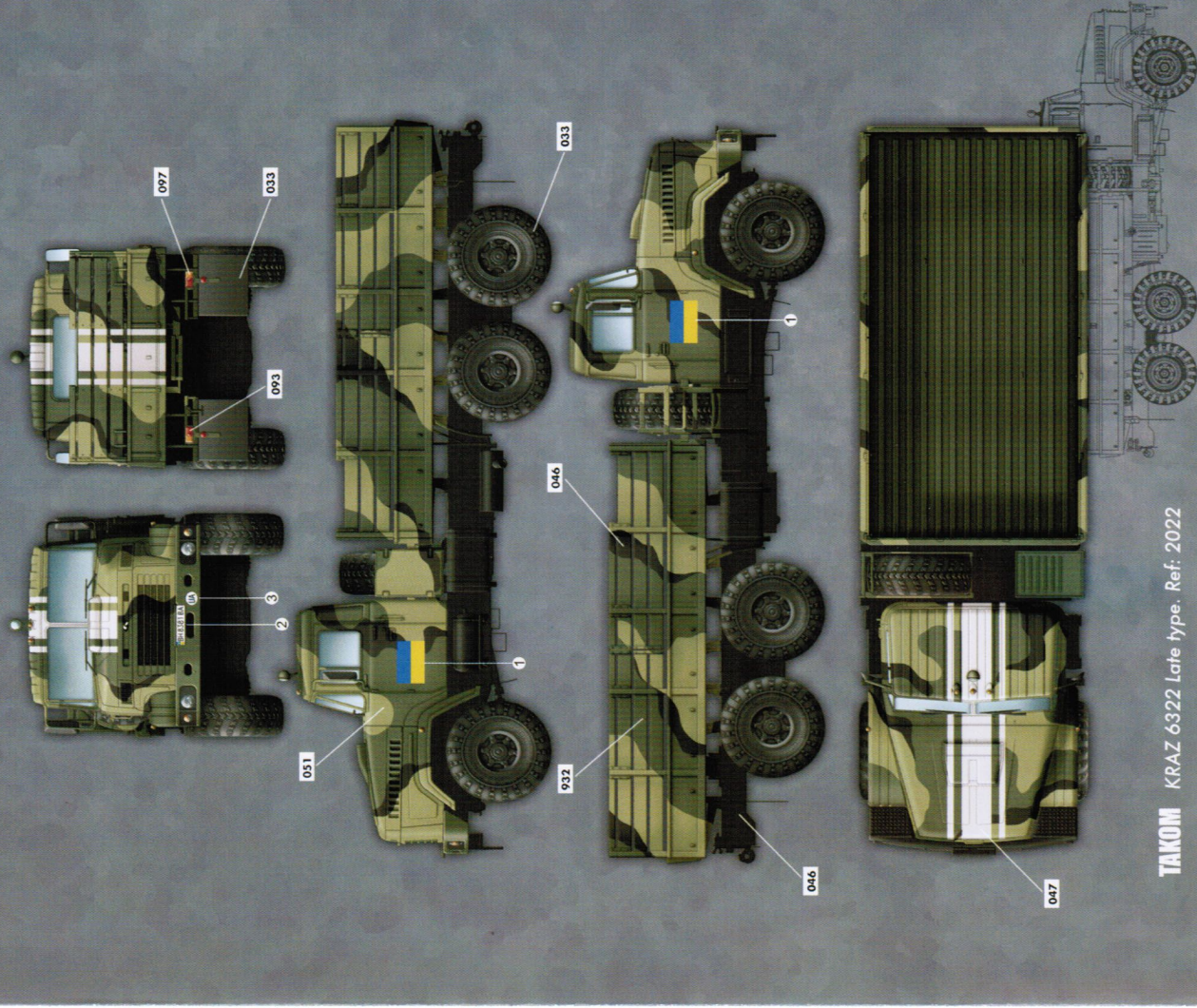
# KRAZ 6322 Late type



## Painting and Marking Guide

- A.MIG 046 Matt Black
- A.MIG 093 Crystal Orange
- A.MIG 097 Crystal Red
- A.MIG 047 White
- A.MIG 033 Rubber & Tires
- A.MIG 932 Russian Base
- A.MIG 051 Light Green KHV-553M

Ukraine Army "ATO"



TAKOM KRAZ 6322 Late type. Ref: 2022



# KRAZ 6322 Late type

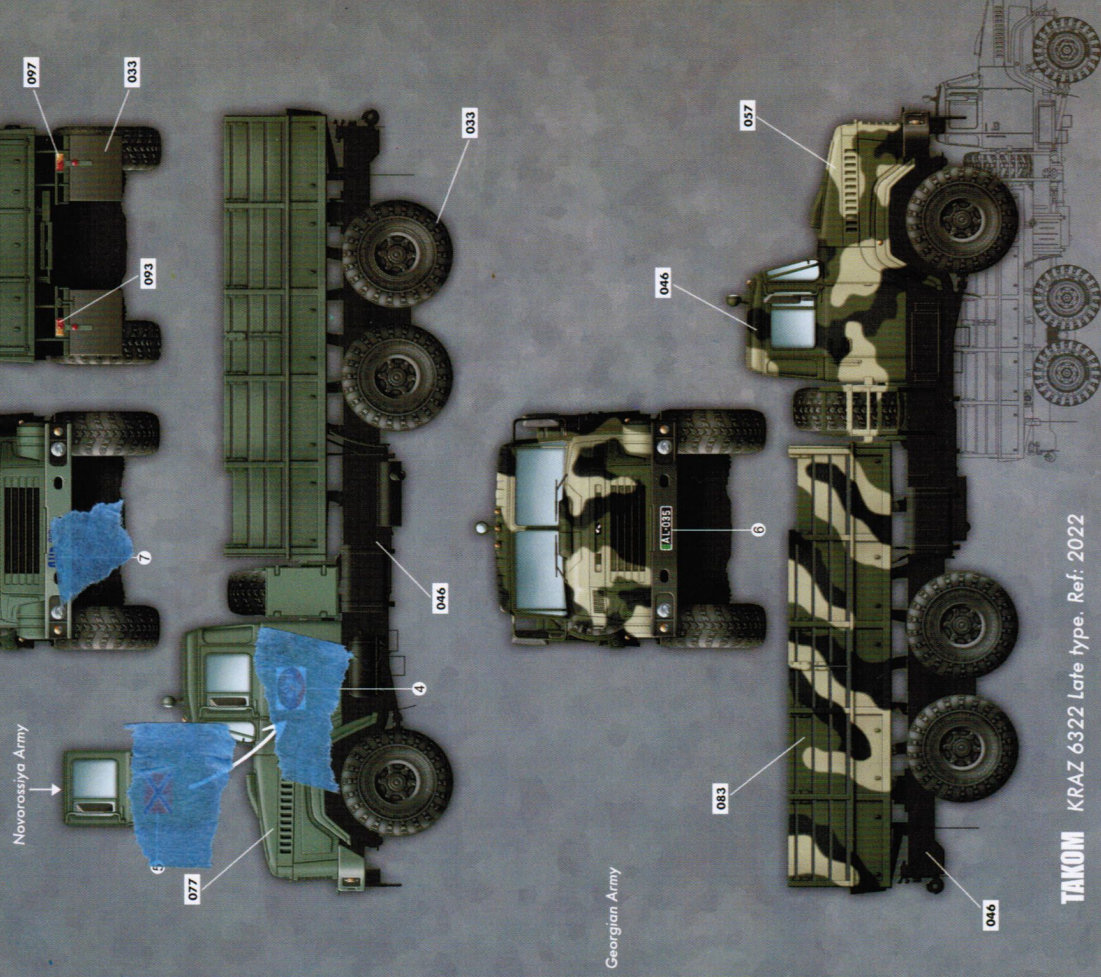


## Painting and Marking Guide

- A.MIG 046 Matt Black
- A.MIG 097 Crystal Orange
- A.MIG 093 Crystal Red
- A.MIG 033 Rubber & Tires
- A.MIG 083 Zashchitny Zeleno
- A.MIG 077 Dull Green



Novorossiya Army



TAKOM KRAZ 6322 Late type. Ref: 2022