



PzKpfw.VI Sd. Kfz 182 Tiger II (Henschel July-1945 Production)

ドイツ重戦車 キングタイガー(ヘンシェル砲塔)計画仕様

德国虎王重型坦克-亨舍尔炮塔45年7月生产型

PLEASE READ BEFORE OPERATION!

- * Tools recommended as below: (Not included)
Adhesives; Paints; Side Cutters; Sharp Edged Pliers; Modeling Knife; Modeling File; Nippers; Drill; Scissors; Sand Paper; Soft Cloth; Cyanoacrylate Glue.
- * Make sure to read this instruction listed below before assembling.
- * The kit contains the small parts, they can be dangerous if swallowed by mistake, so keep them away from reach of children.
- * Cut the all parts off carefully and remove the waste parts into the garbage can.
- * More caution and care should be needed for cutting and handling the photo etched parts.
- * Make attention that some parts should be attached the decal when assembled.
- * During assembling, please tear up and throw away the plastic bags, or may cause the dangerous if wearing over head by children's mistake.
- * When using the adhesives and paints, please do not use them in the closed room or near the fire, also must be very careful to protect your eyes, face and clothes.
- * Adult supervised when assembled by children under 14 years old.

装配前请仔细阅读:

- * 推荐使用的模型工具(请自备):
专用模型胶水, 专用模型油漆, 水口剪刀, 长咀钳, 刀片, 锉刀, 镊子钳, 钻, 剪刀, 软布, 砂纸, 瞬间快干胶等。
- * 用水口剪刀或刀片小心切下所有塑胶零件和蚀刻片零件, 不要遗失小零件。
- * 切取蚀刻片时应特别注意防止利边划伤手指。
- * 用模型锉刀小心锉平所有零件表面的注射浇口。
- * 用适量的强力快干胶水粘合蚀刻片零件和金属轴, 切忌过量, 否则可能导致可动零件被粘住。
- * 注意某些零件表面需在装配时同步贴水上贴纸。
- * 制作时应远离幼儿并将包装袋及时收妥, 谨防小孩玩耍而引起意外。



强力胶

Cyanoacrylate glue



配重

Weight



钻孔

Make hole



切除

Cut/Remove



选择

Option



不涂胶水

No cement



贴纸

Decal



弯曲

Bend



填补

Repair



先装

Install it first

The method to apply the decals

1. Cut off the decal from the decal paper and put it into the warm water 40°C for 10 seconds.
2. Take the decal from the water and put it on a piece of clean cloth.
3. Remove the decal slowly from the paper to the targeted location by a wet finger.
4. Use a piece of dry and soft cloth to press it gently on the decal until it getting dry and no bubble existing.

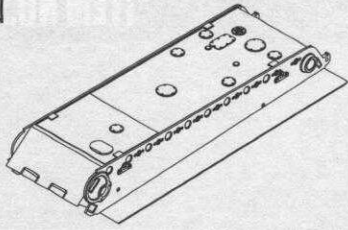
水贴纸的使用方法:

- 一. 把相关的印花从水贴上剪下, 放入40°C左右的温水中浸10秒。
- 二. 然后将印花放在干净的布上。
- 三. 拿上印花纸板, 手指蘸水将印花移到适当的位置。
- 四. 用软干布轻压印花直至水干, 气泡消失。

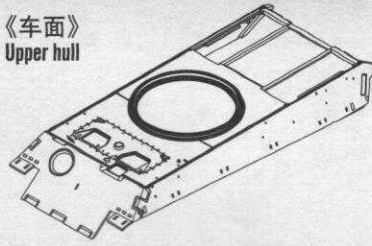
部品图

Parts

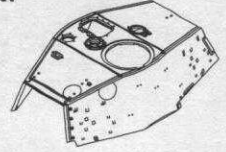
《车底》
Lower hull



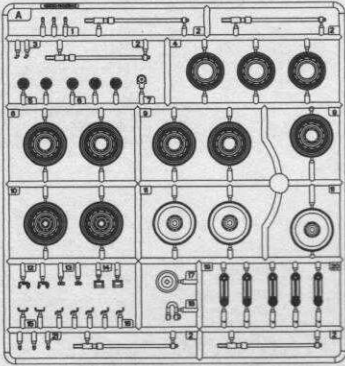
《车面》
Upper hull



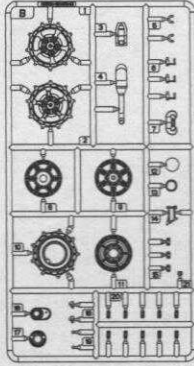
《炮塔》
Turret



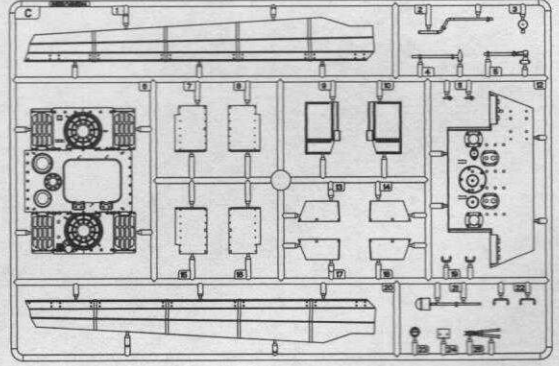
Ax4



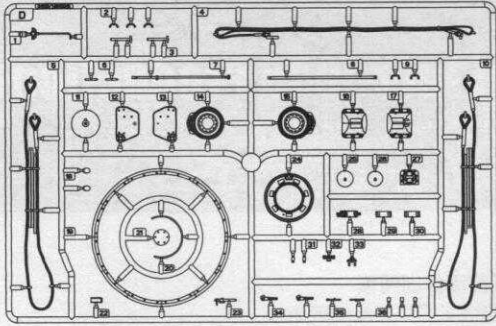
Bx2



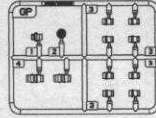
C



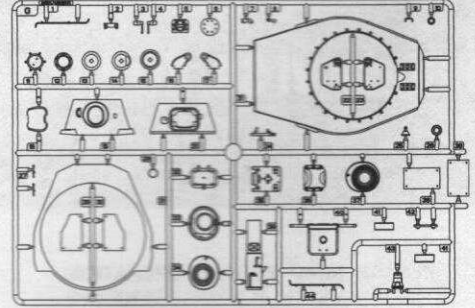
D



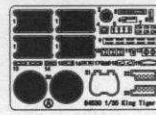
GP



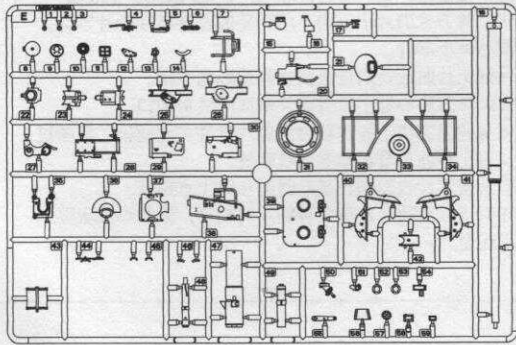
G



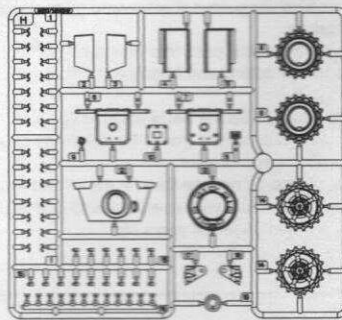
《蚀刻片》
PE-A



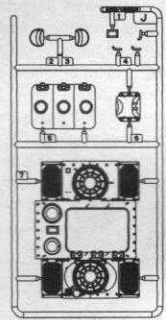
E



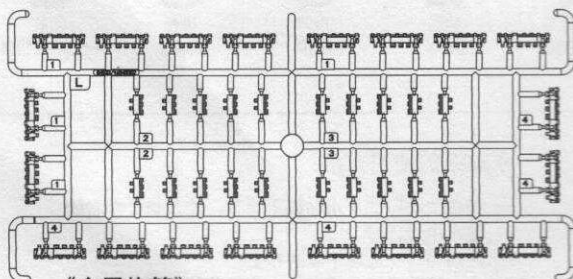
H



J

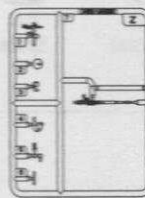


Lx10



《金属炮管》
Metal gun

Zx2



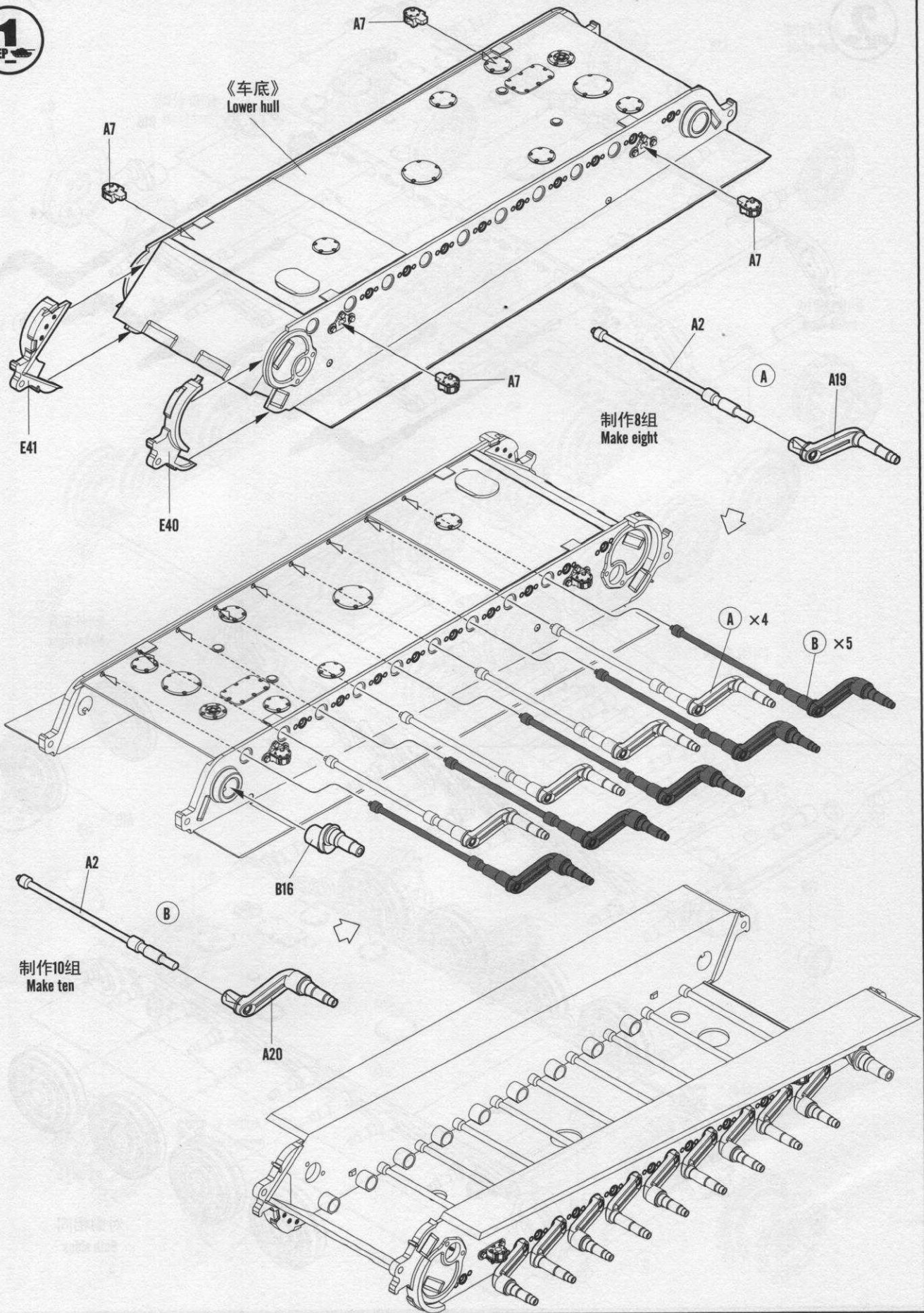
《炮口罩》
Muzzle cover

《贴纸》
Decal

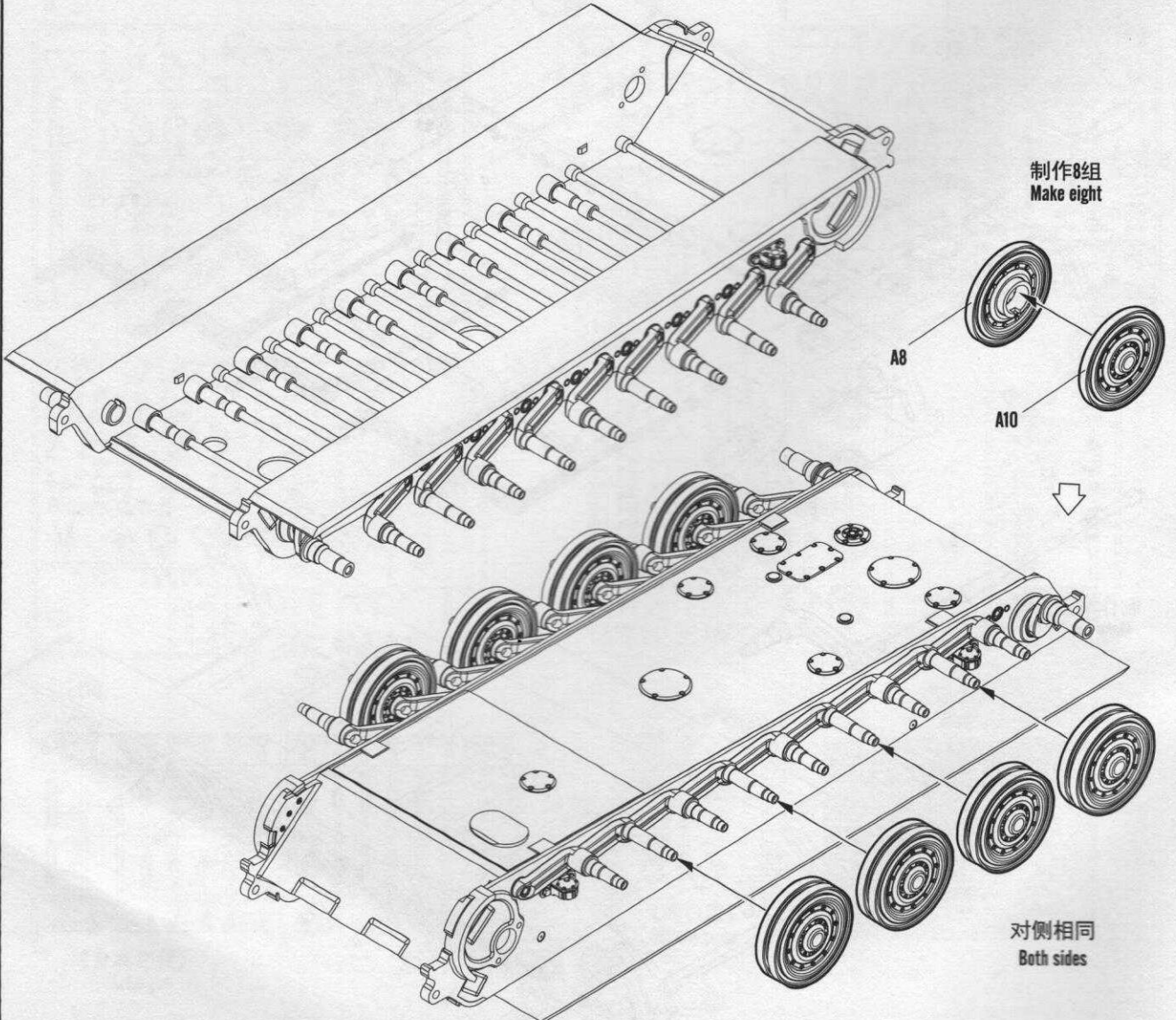
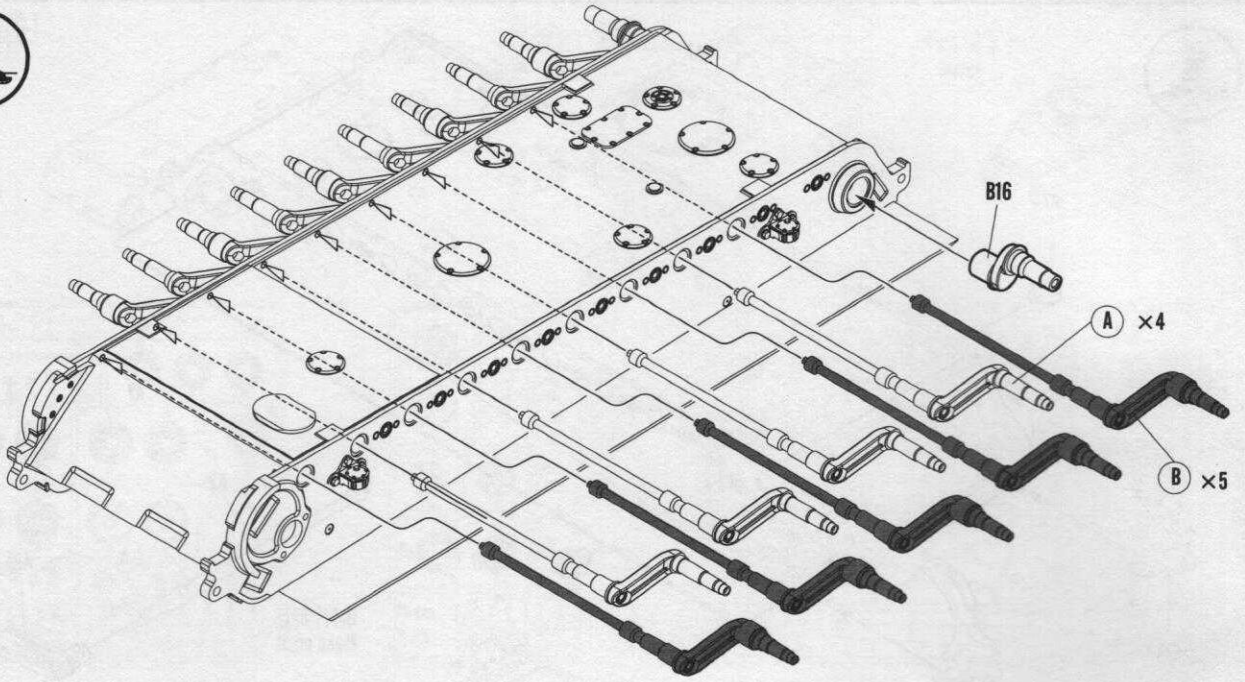


PzAlpha VI Sd. Kfz. 182 Tiger II (Resched July-1945 Production)
1:35 Scale Hobbyboss No. 84533

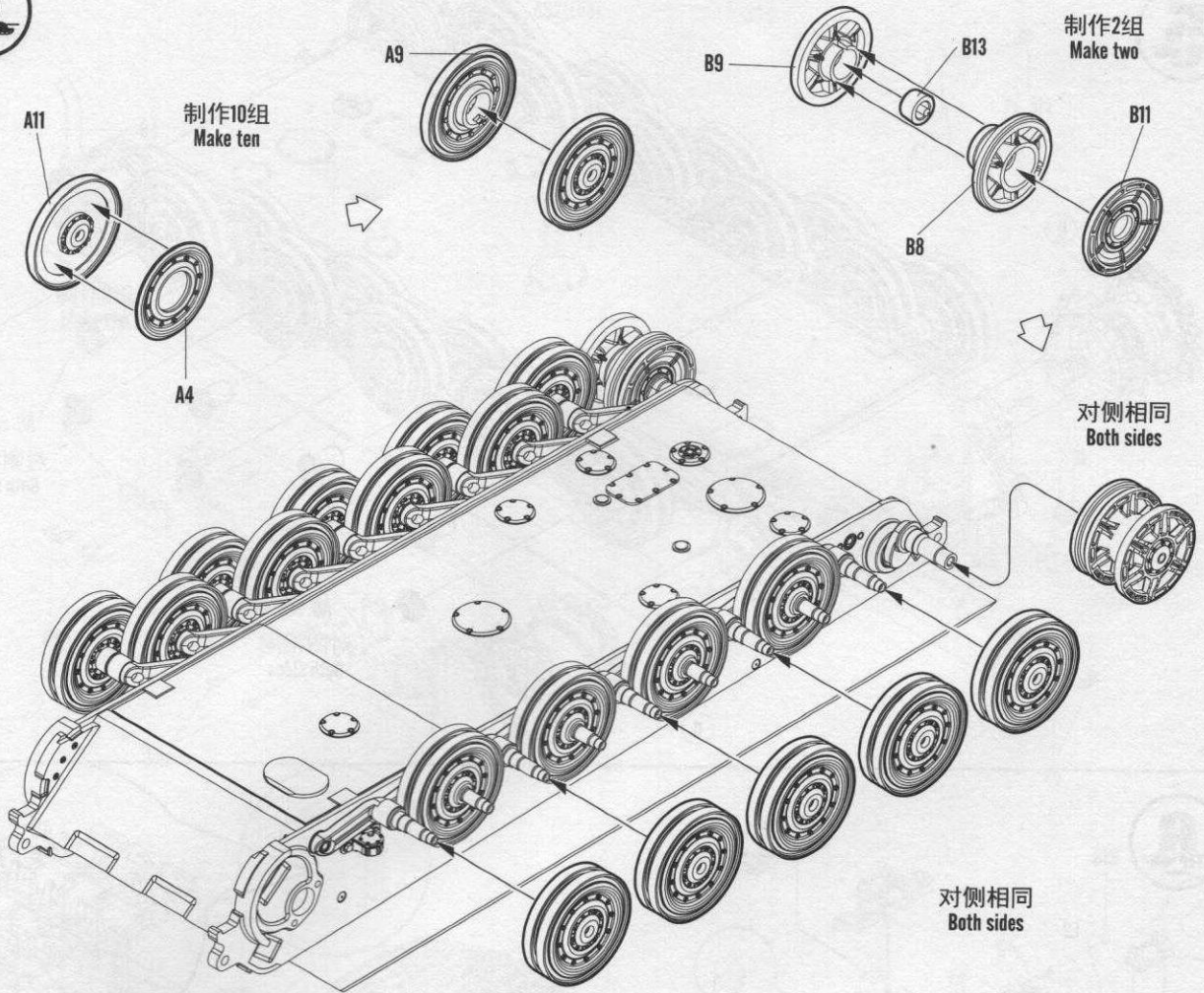
1
STEP



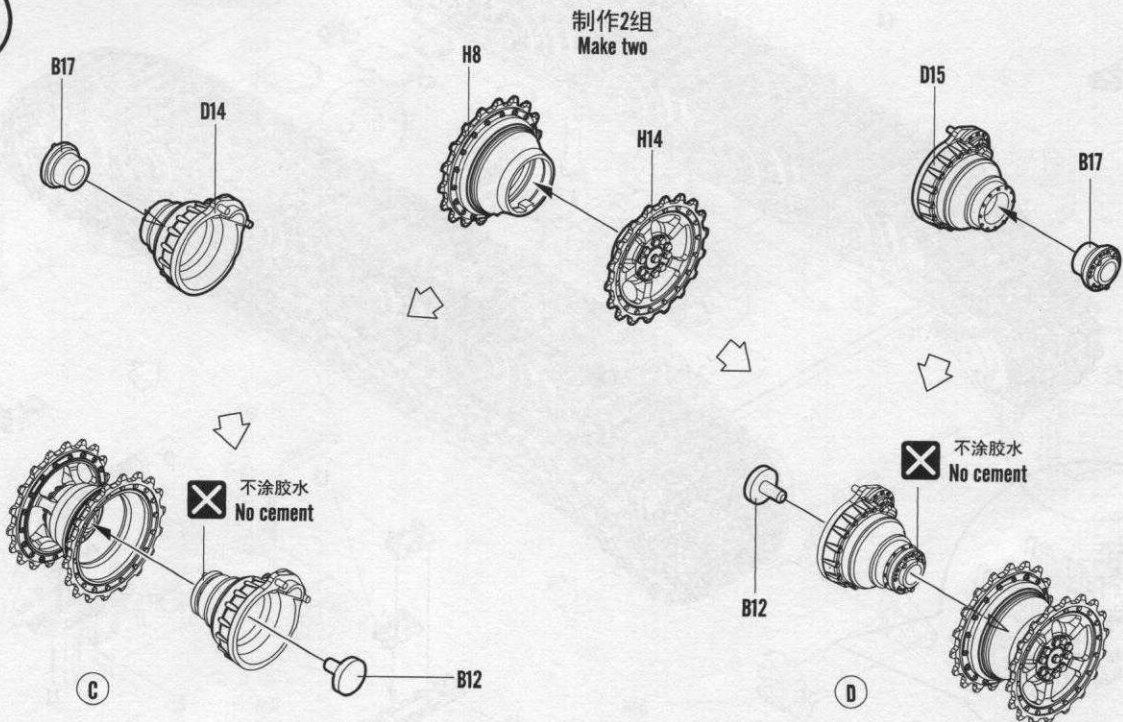
2
STEP



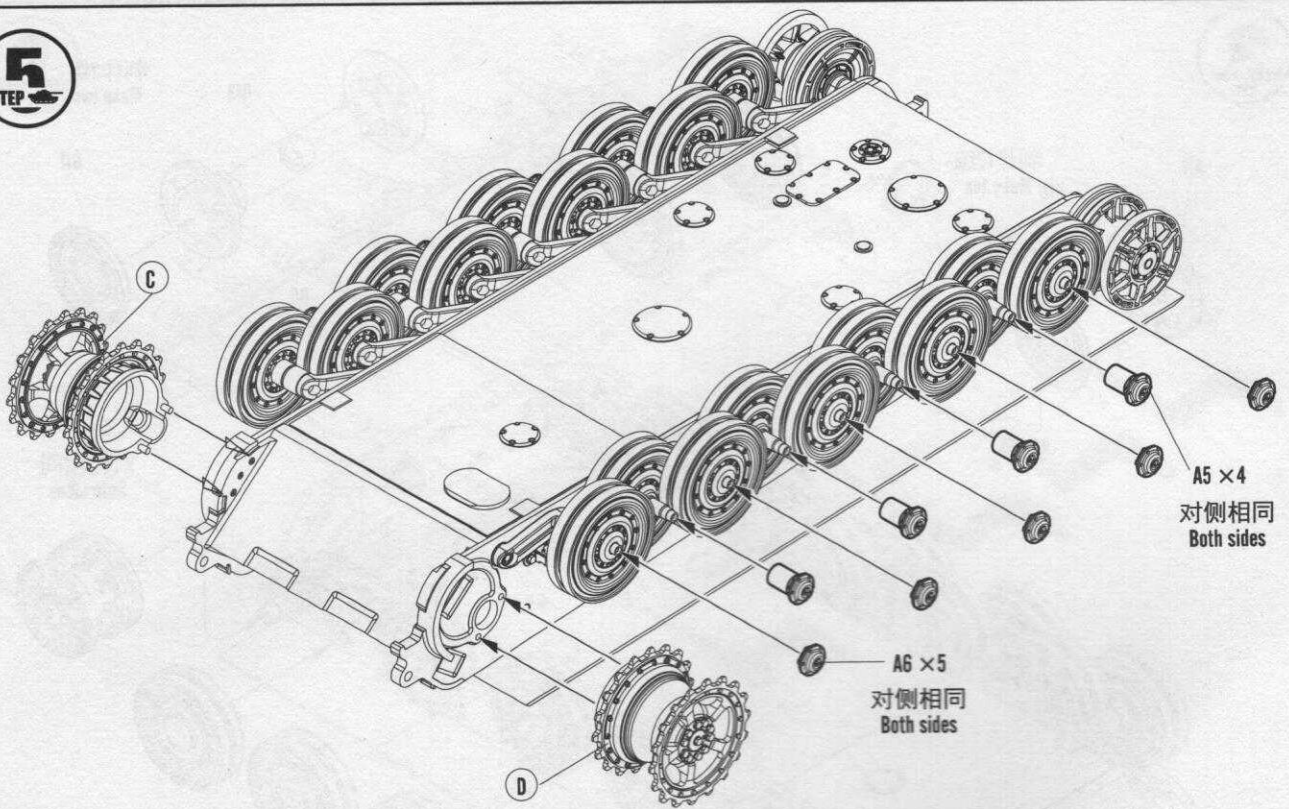
3
STEP



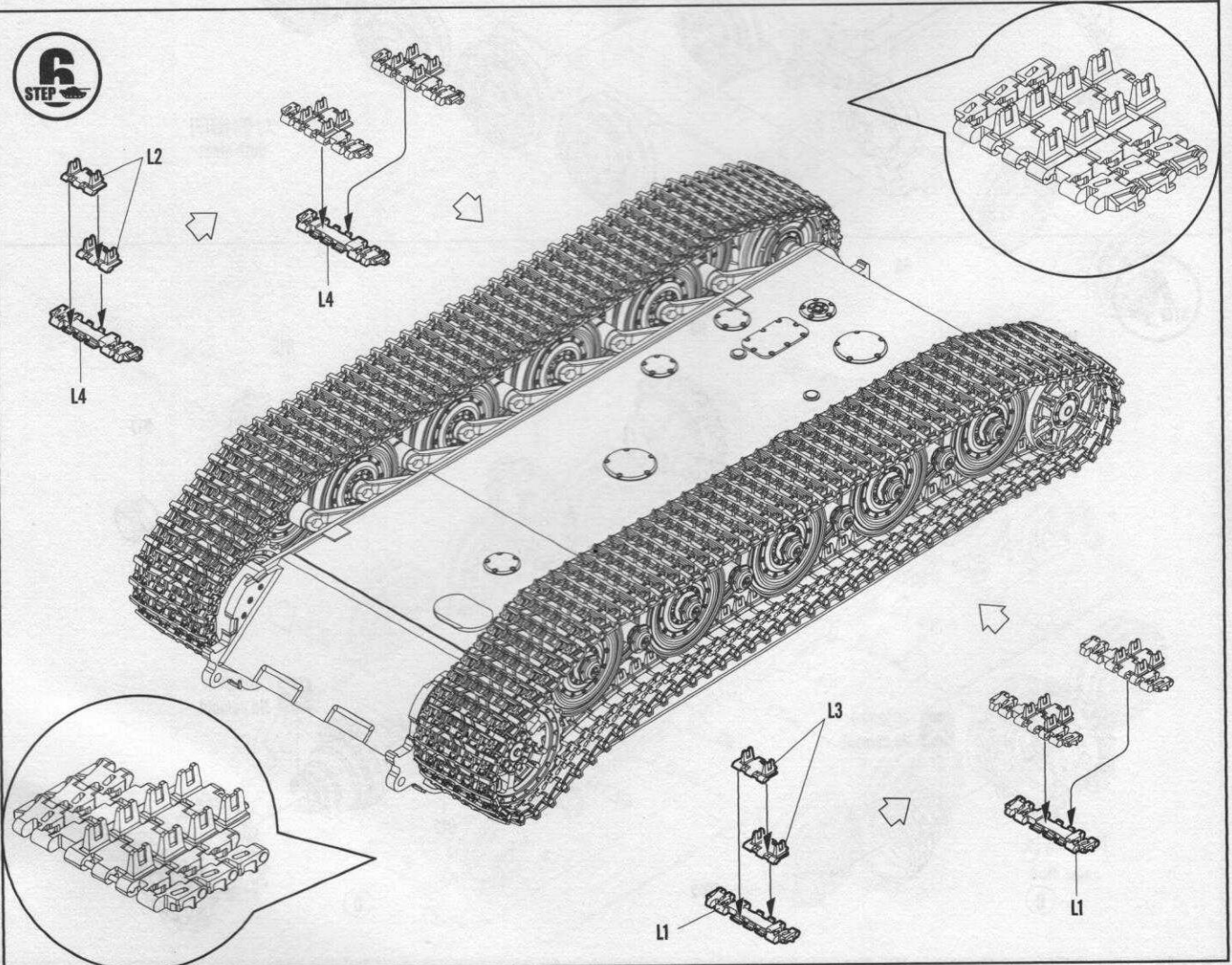
4
STEP



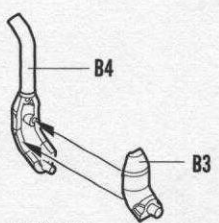
5
STEP



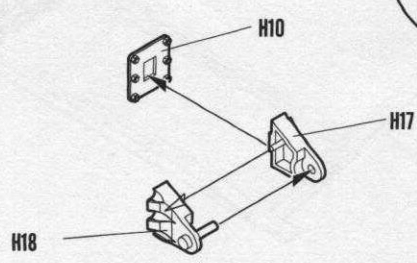
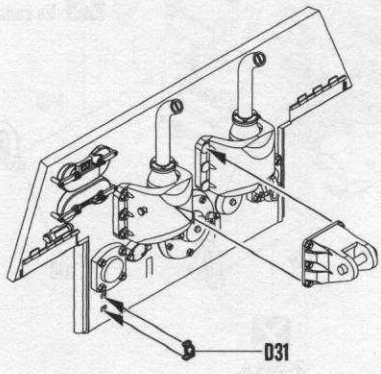
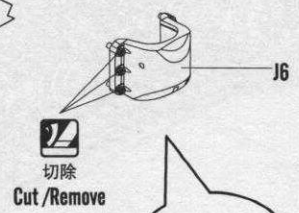
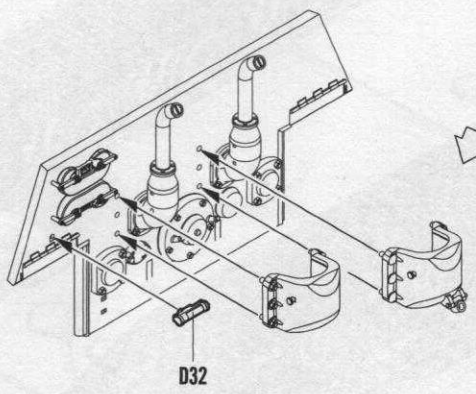
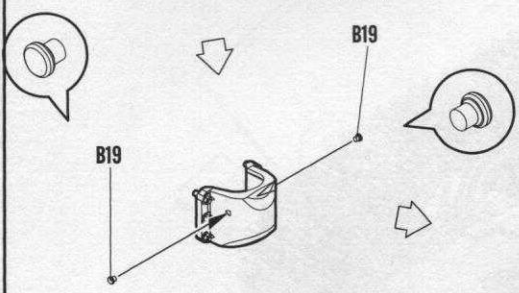
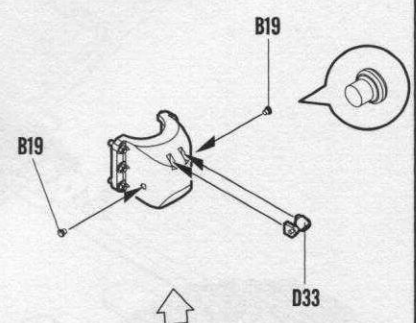
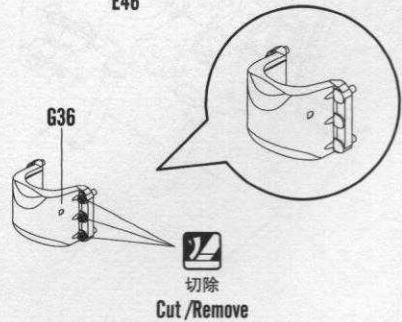
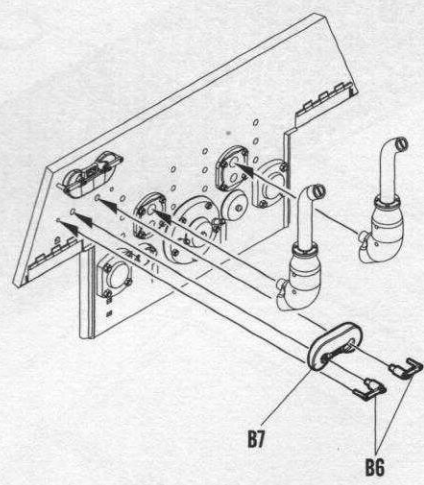
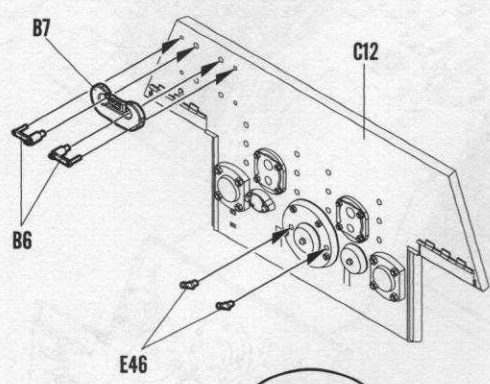
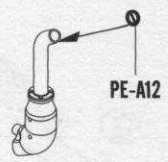
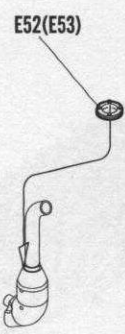
6
STEP

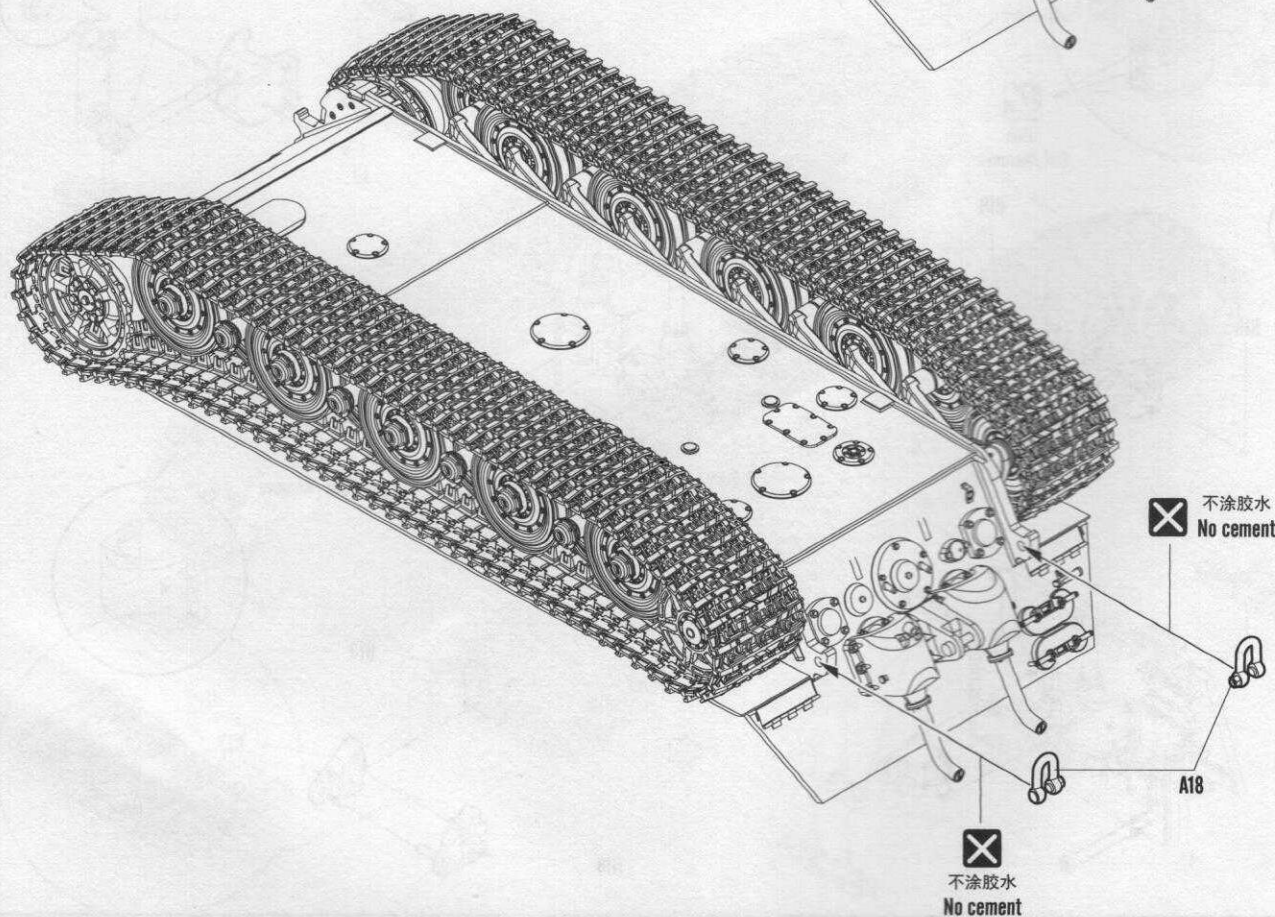
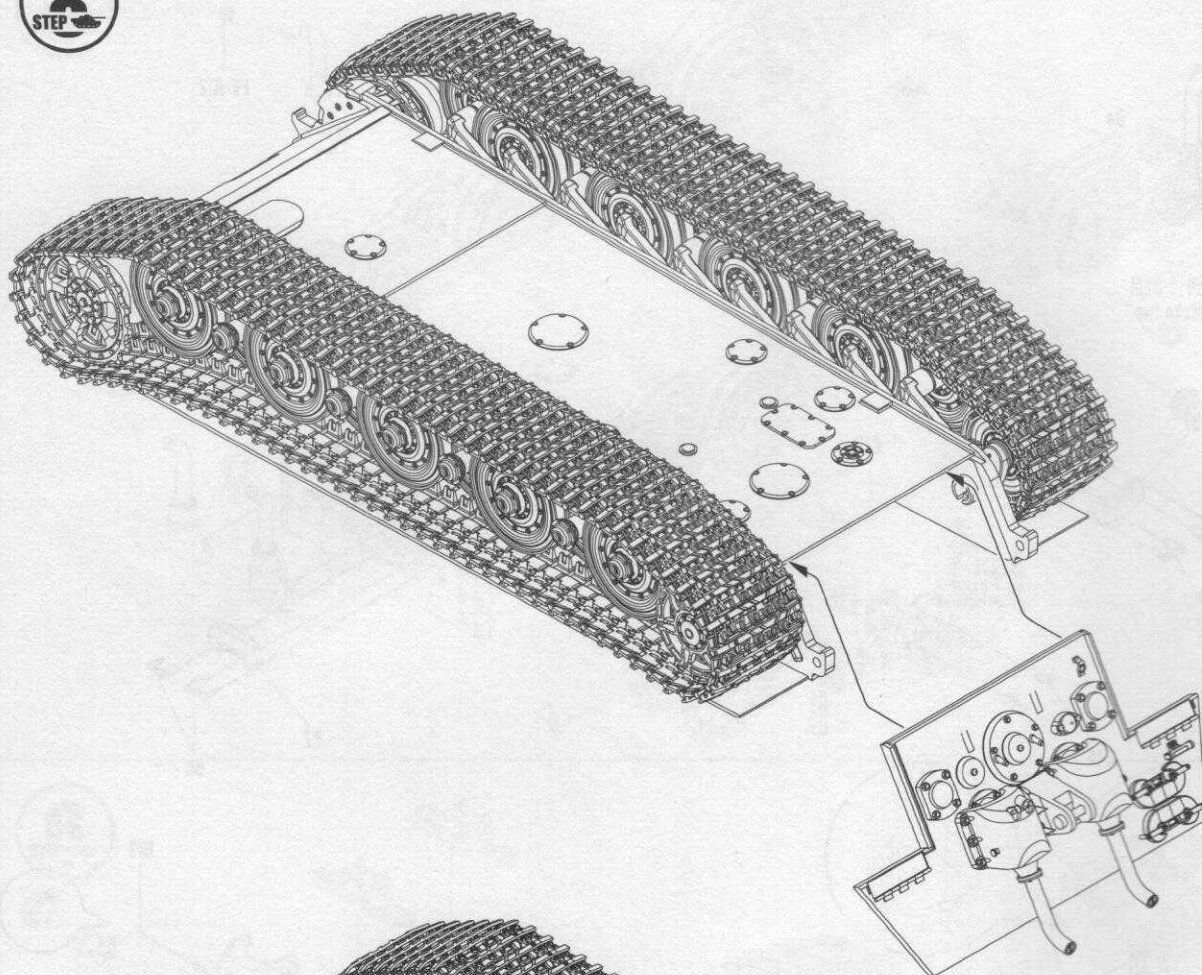


7
STEP



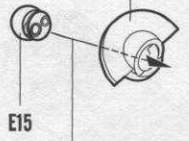
制作2组
Make two





《车面》
Upper hull

E36



E15

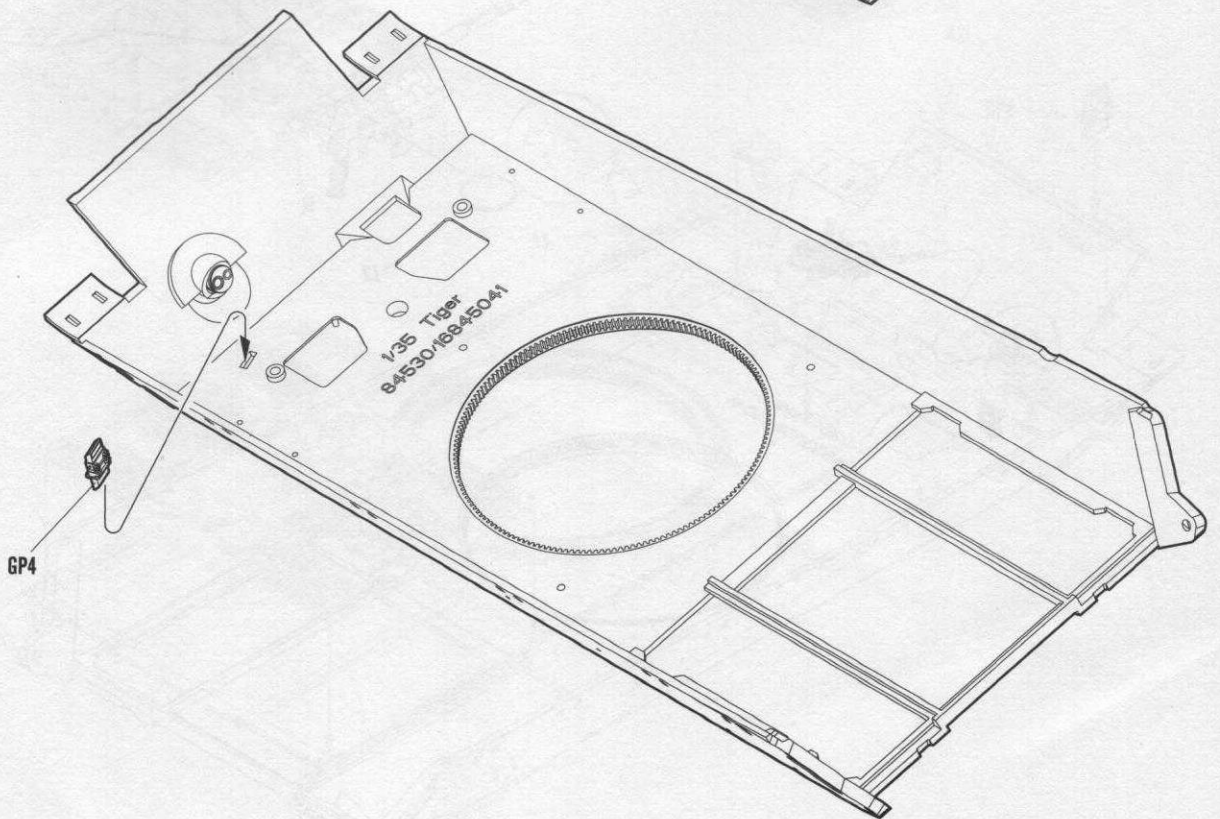


不涂胶水
No cement



E21

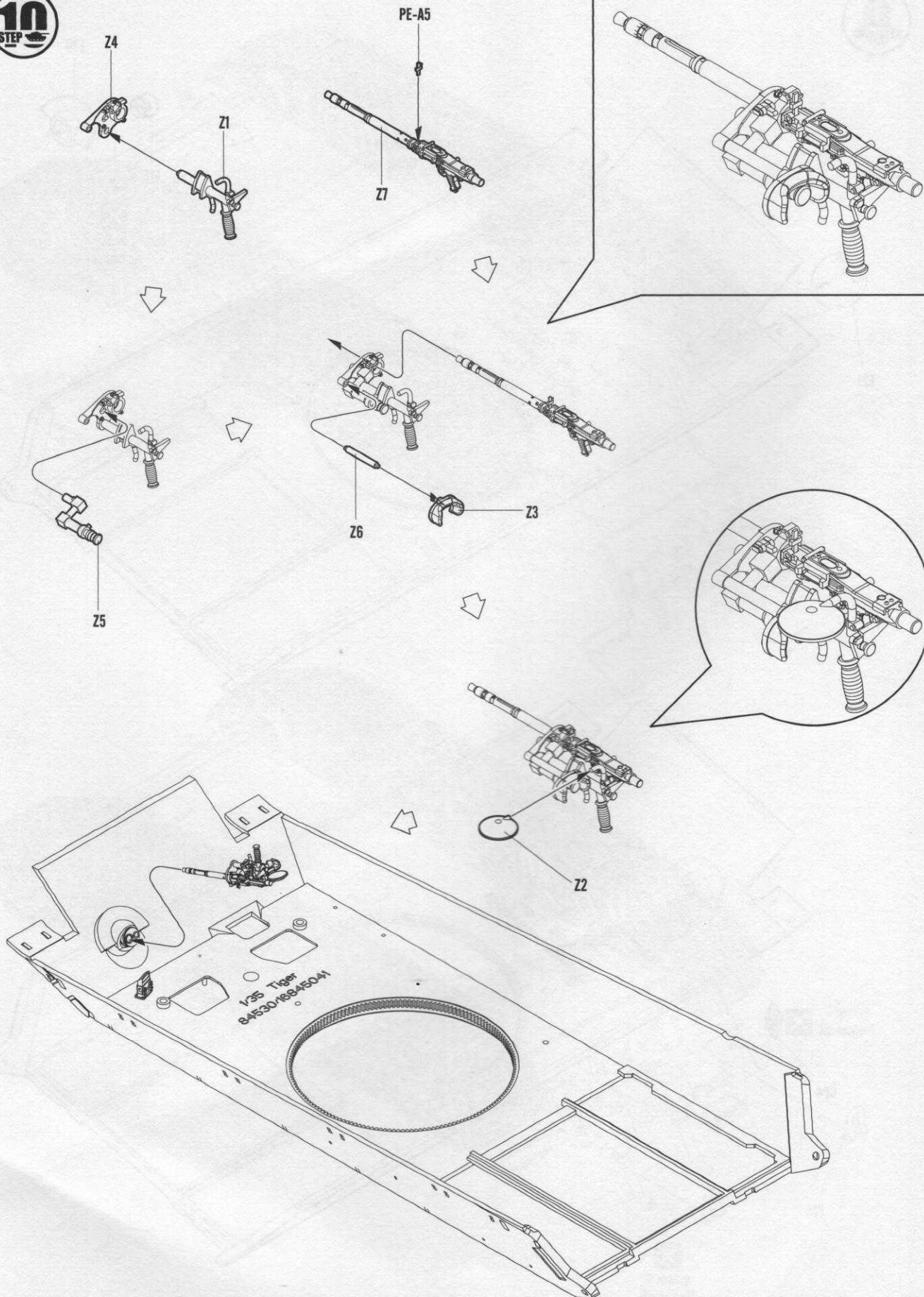
1/35 Tiger
84530/16845041



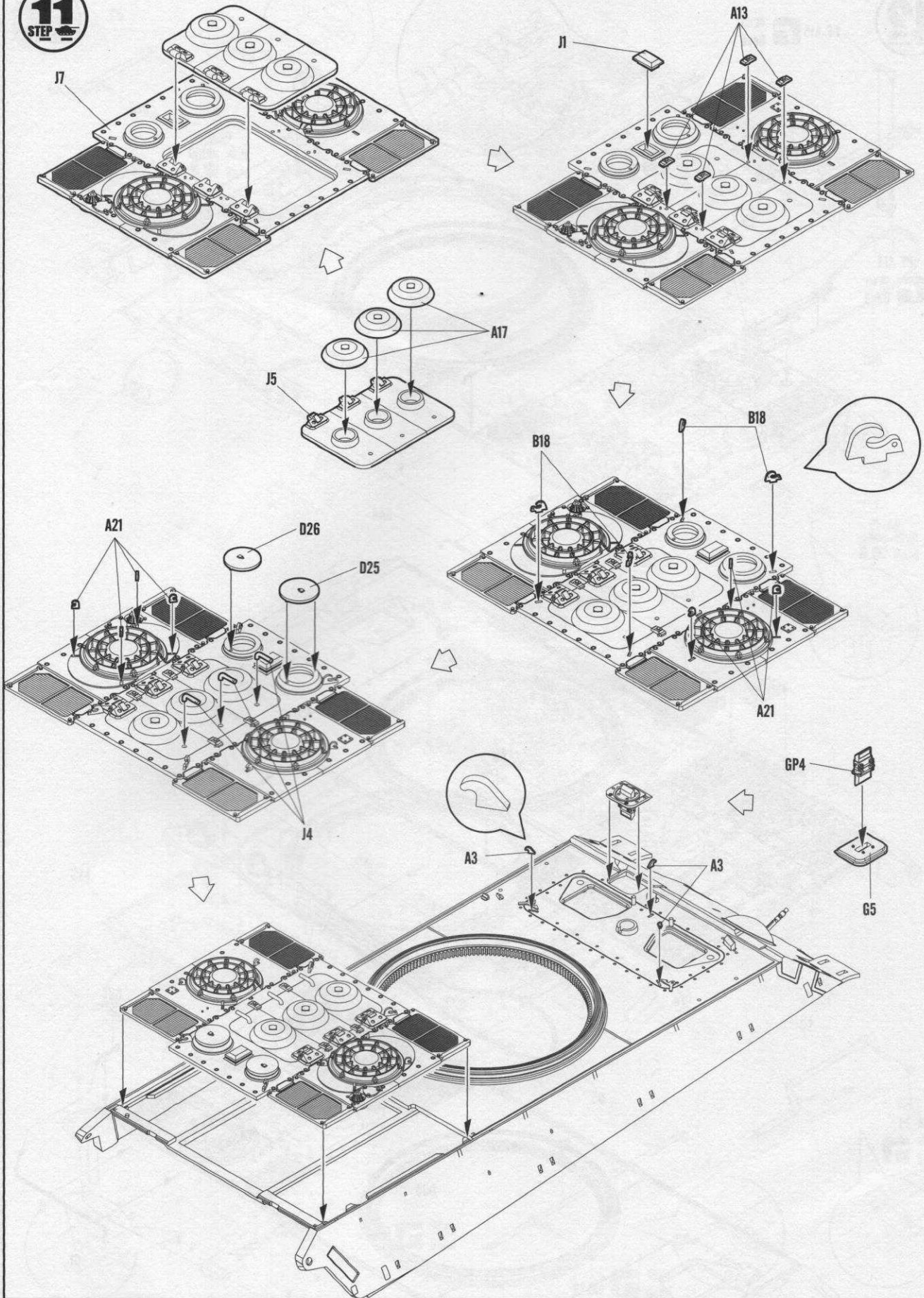
GP4

1/35 Tiger
84530/16845041

10
STEP



11
STEP



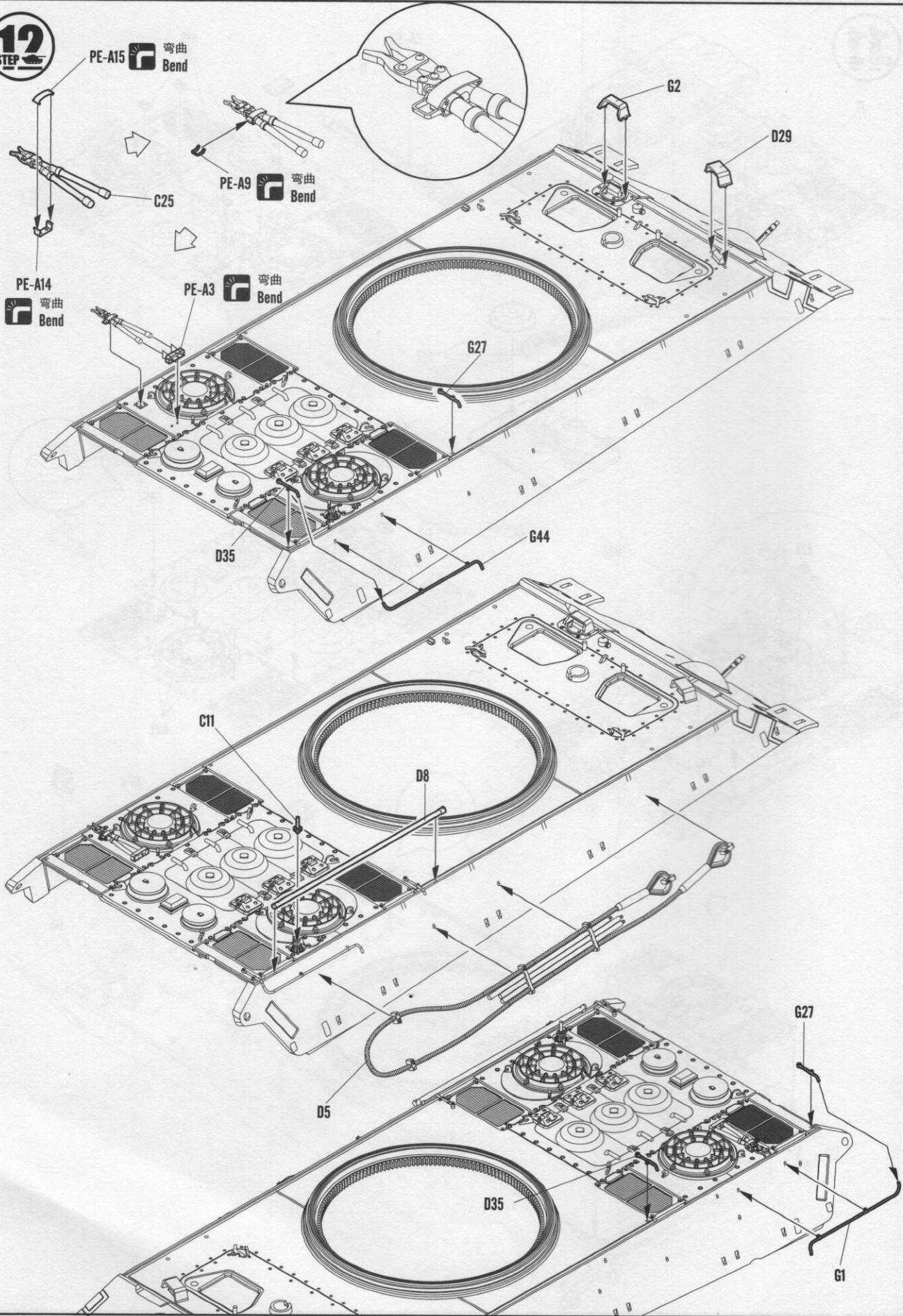
12
STEP

PE-A15 弯曲 Bend

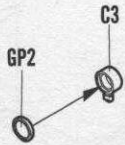
PE-A9 弯曲 Bend

PE-A3 弯曲 Bend

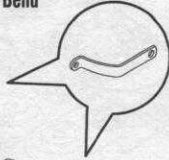
PE-A14 弯曲 Bend



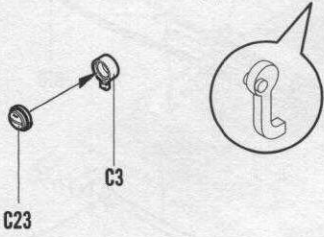
11
STEP



PE-A13  弯曲
Bend

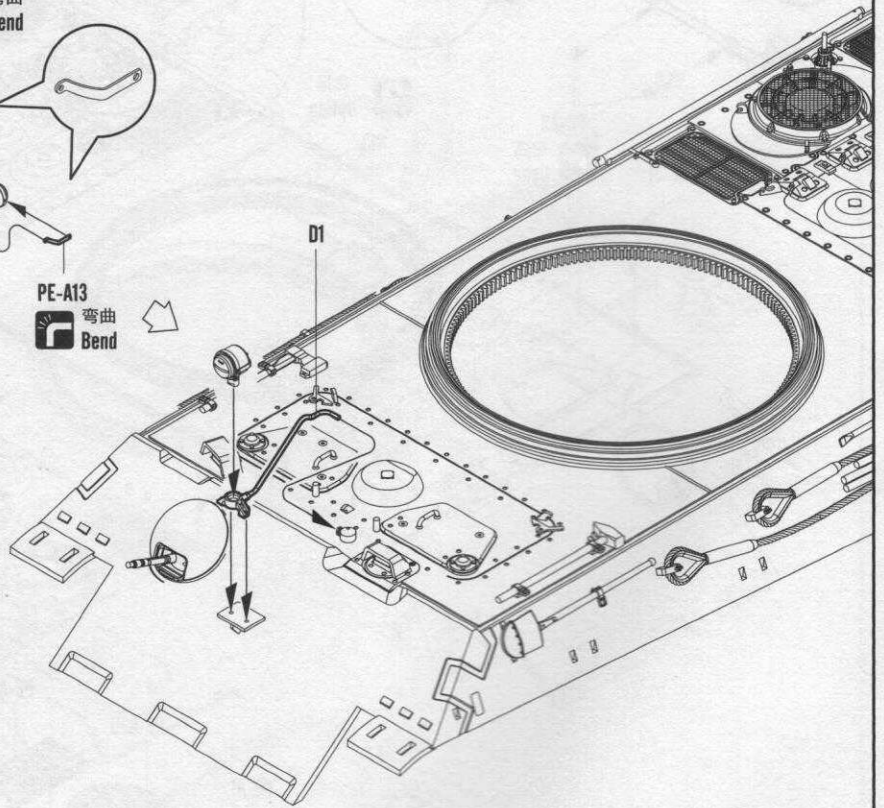


 选择
Option



PE-A11

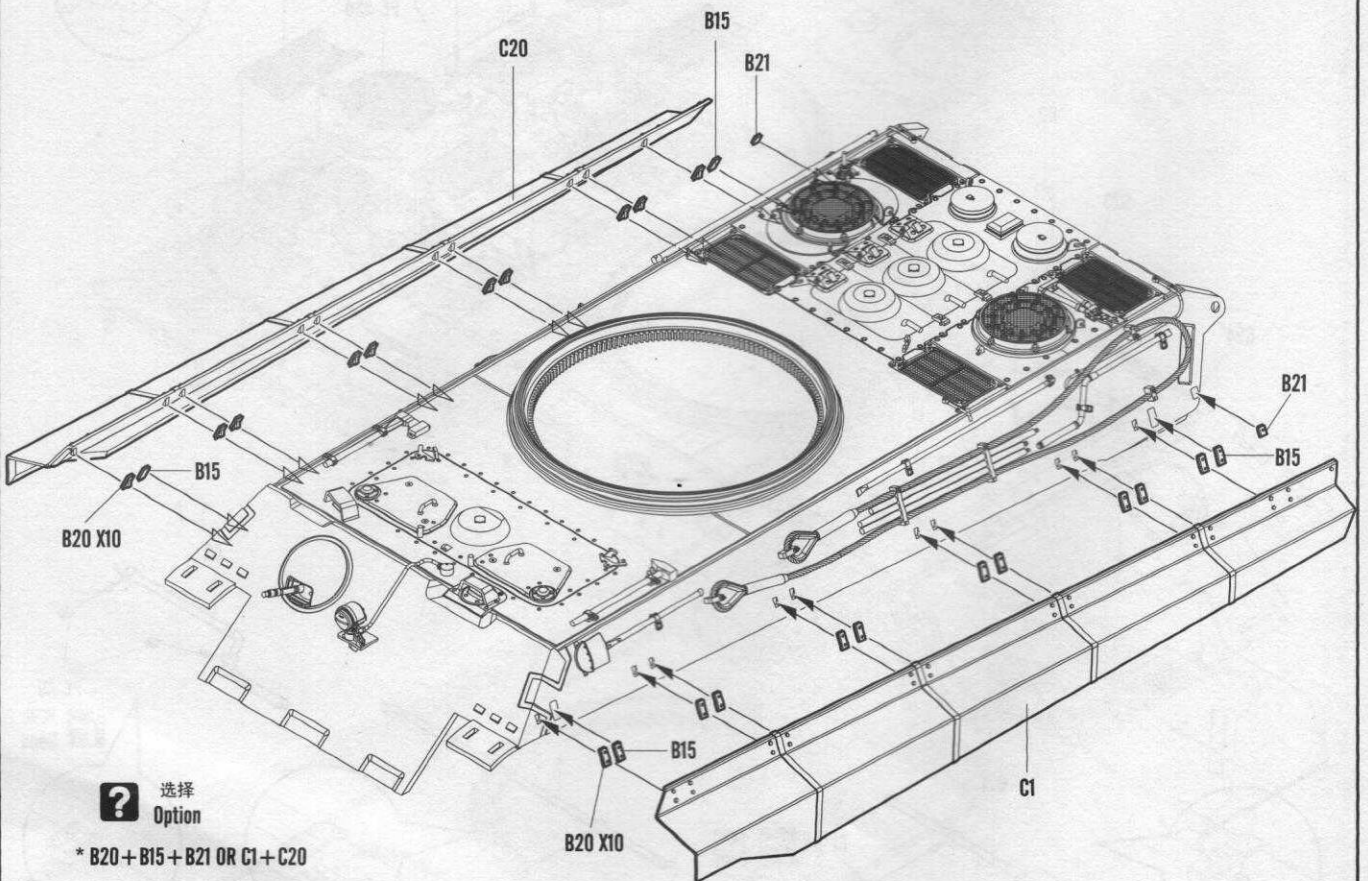
PE-A13  弯曲
Bend



C20

B15

B21



B20 X10

B15

B21

B15

 选择
Option

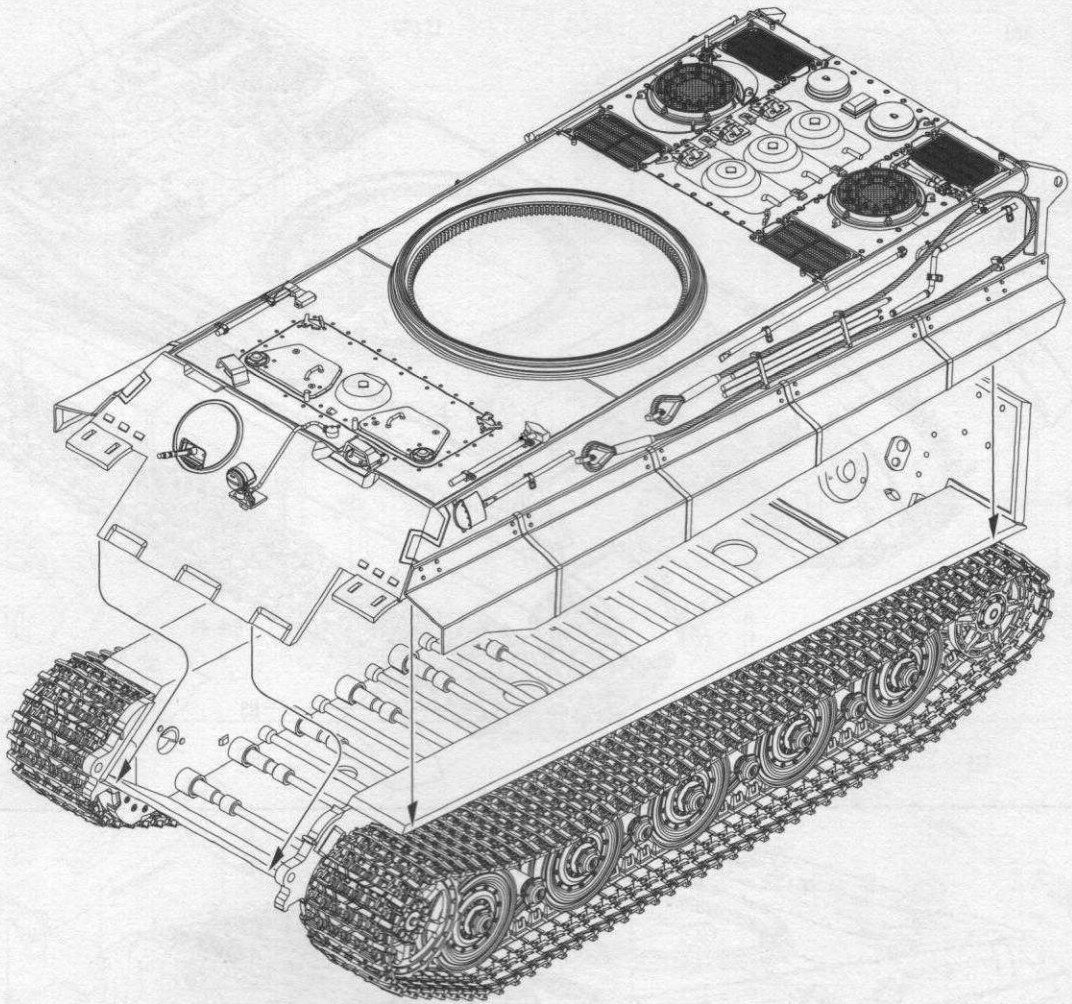
* B20 + B15 + B21 OR C1 + C20

B20 X10

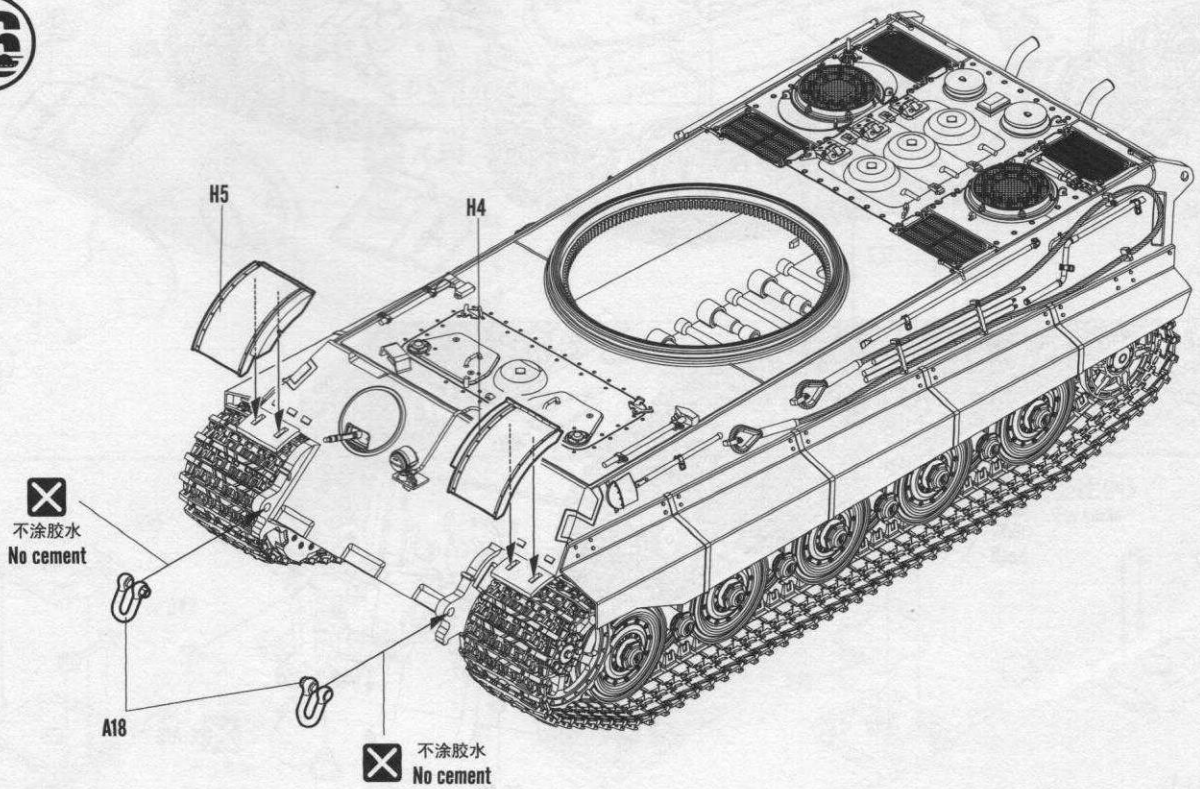
B15

C1

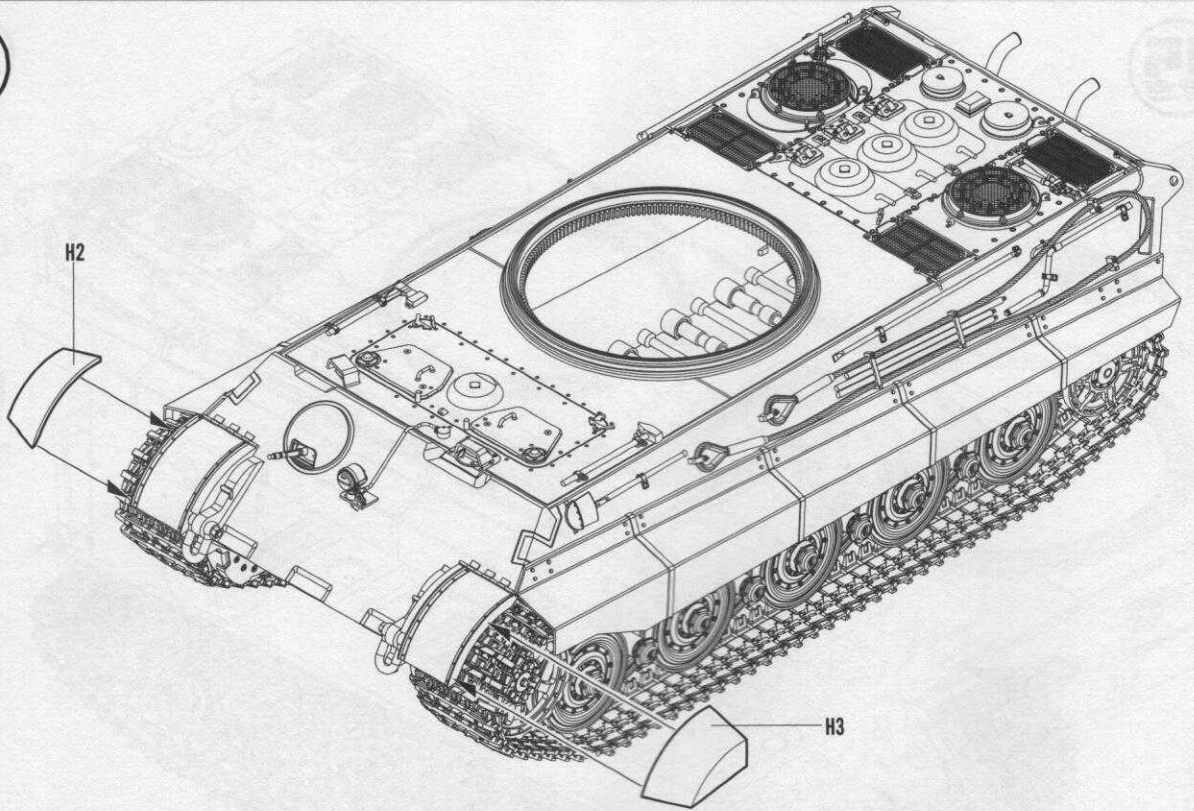
15
STEP



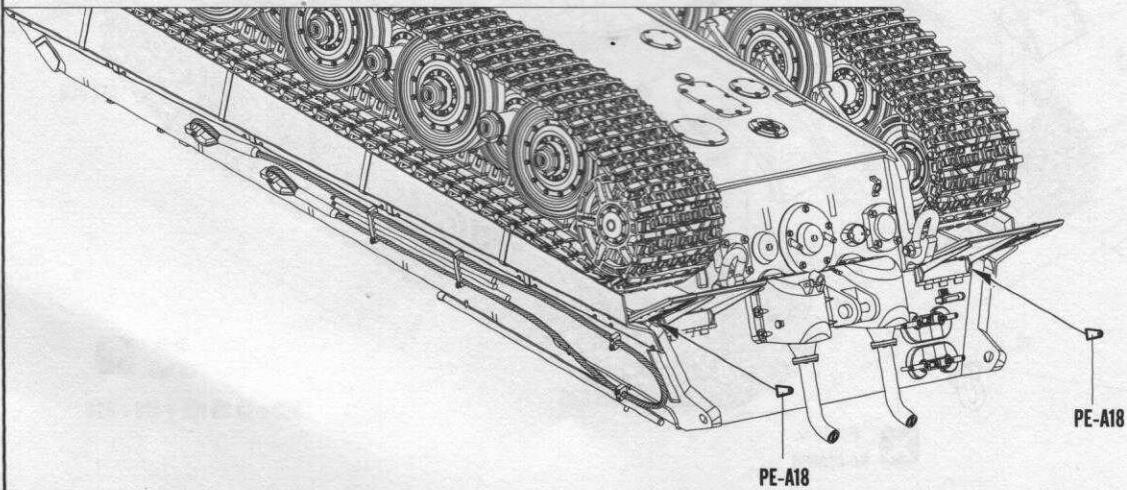
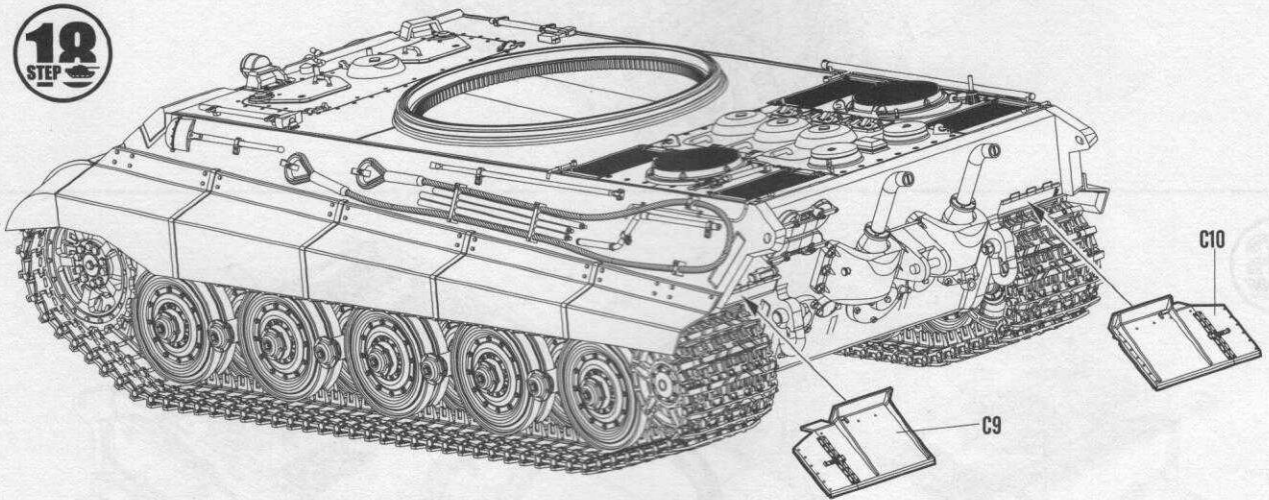
16
STEP



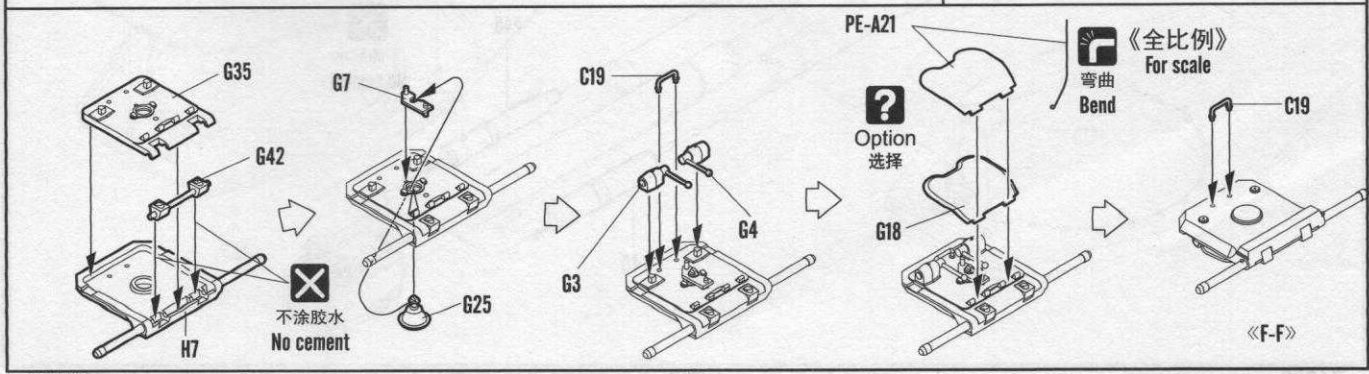
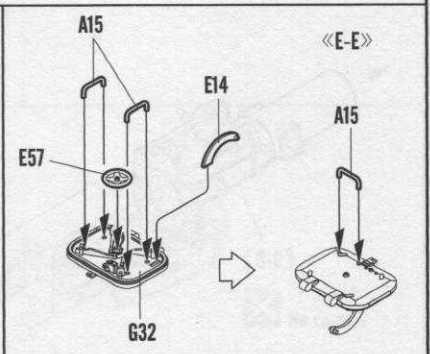
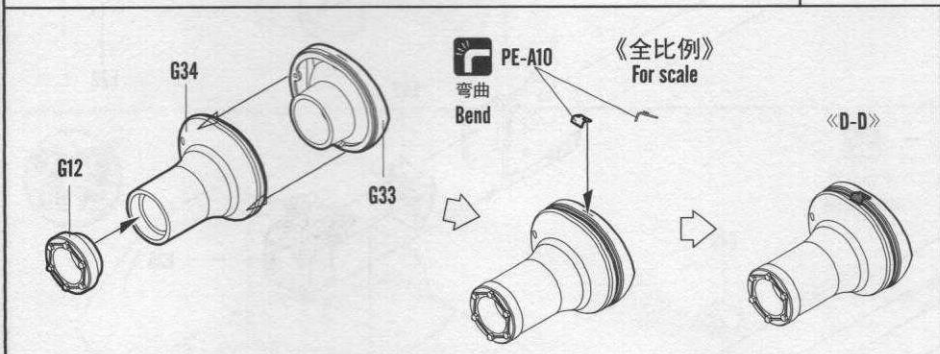
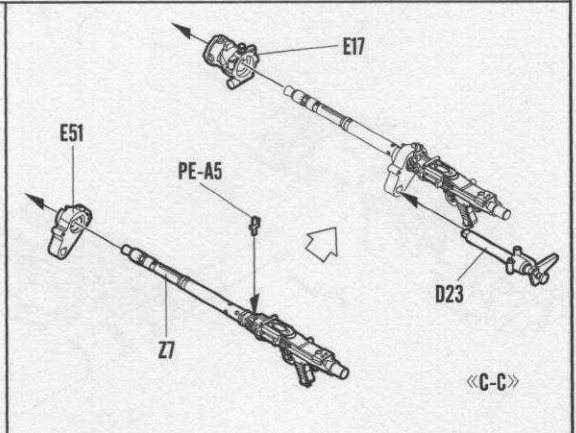
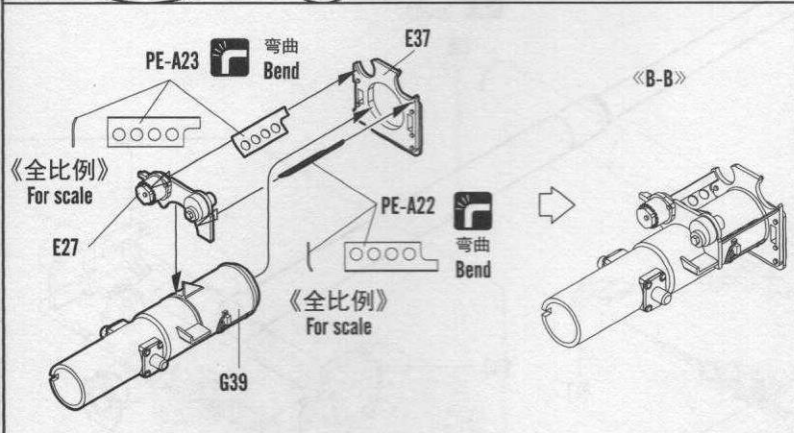
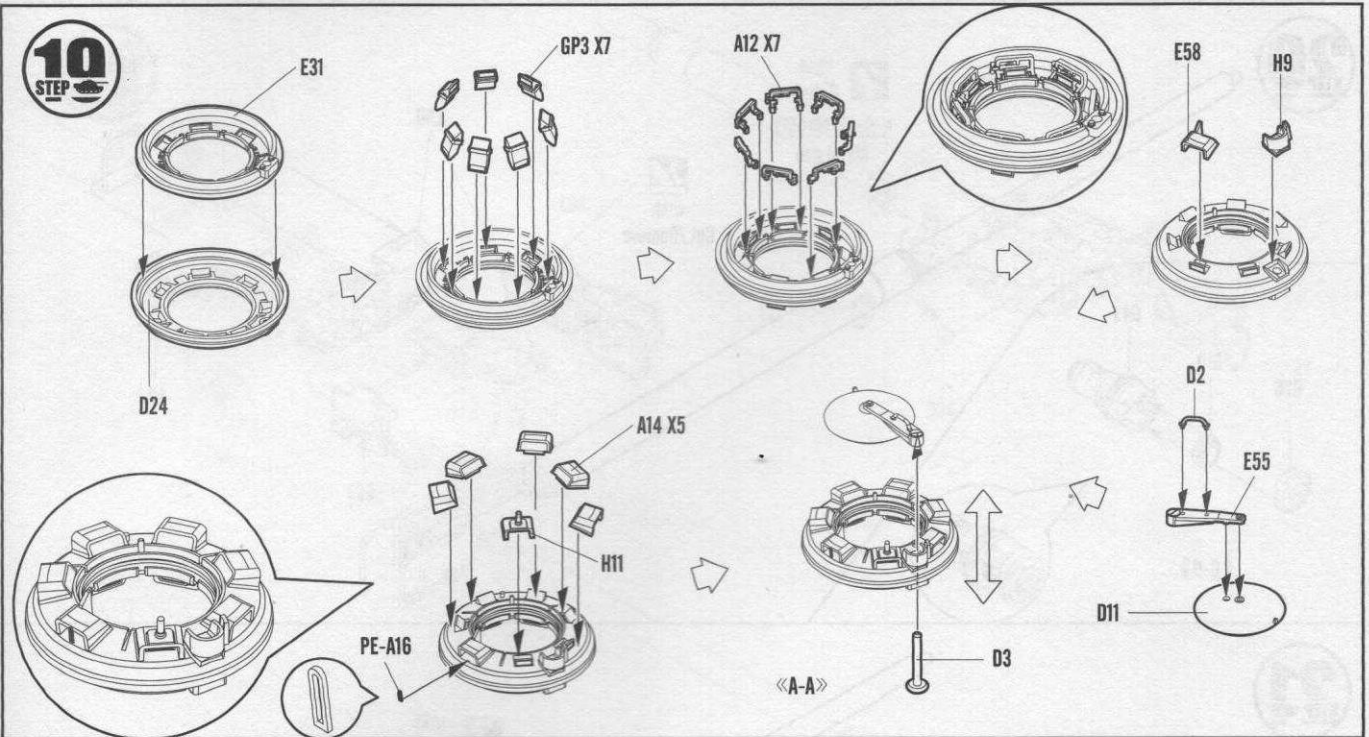
17
STEP



18
STEP



10
STEP



20
STEP

? 选择
Option
《金属炮管》
Metal gun

切除
Cut/Remove

E30

E29

E22

G43

G10

G26

《G-G》

21
STEP

? 选择
Option

E18

E29

E30

E22

E42

E35

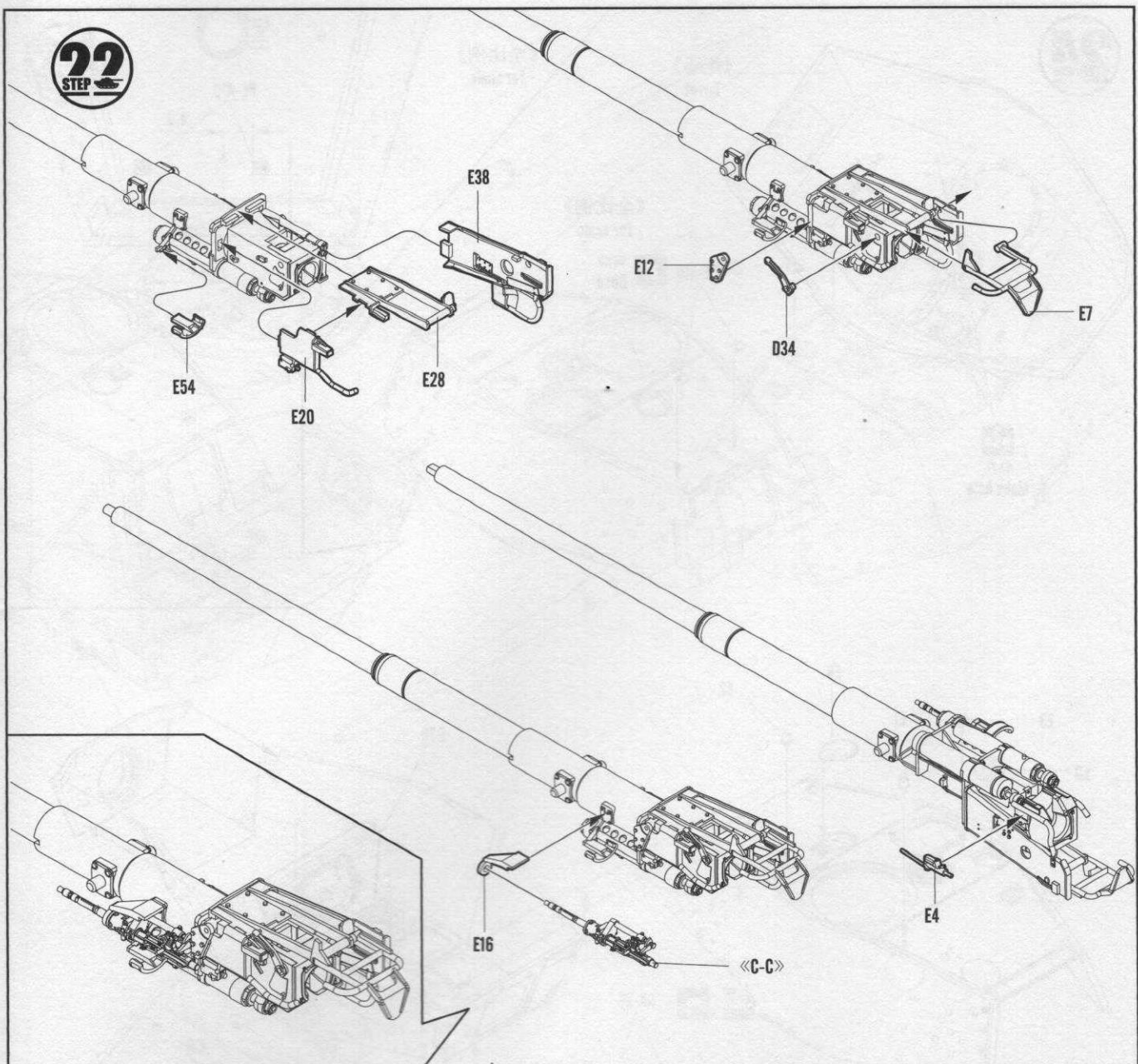
《B-B》

不涂胶水
No cement

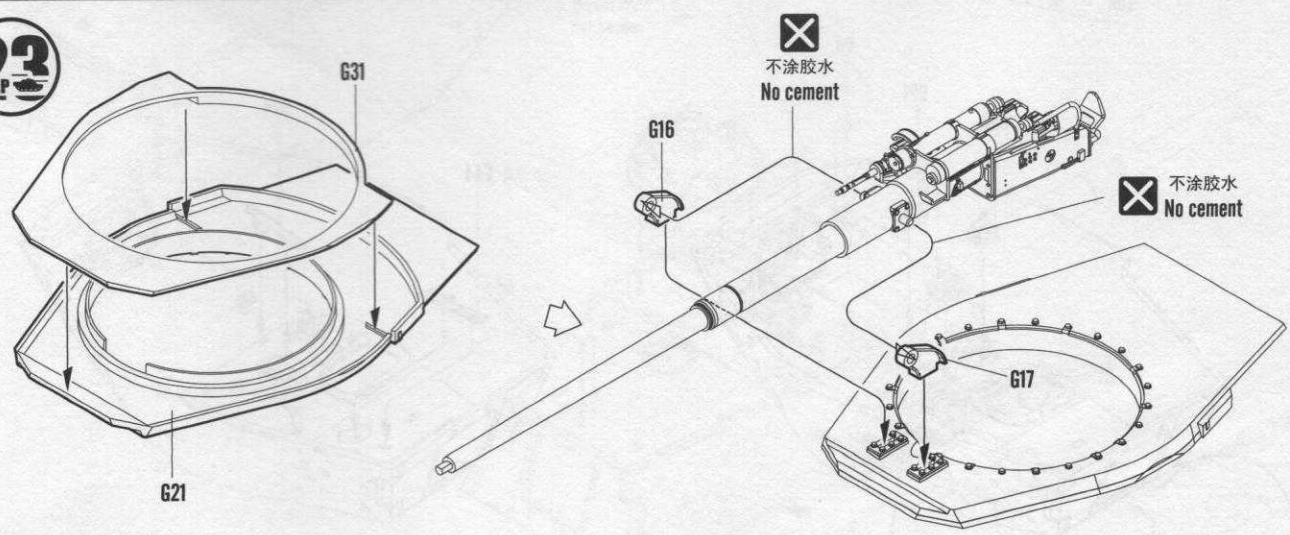
E48

E49

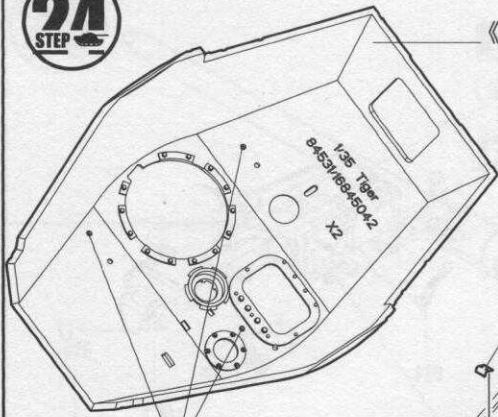
22
STEP



22
STEP



21
STEP



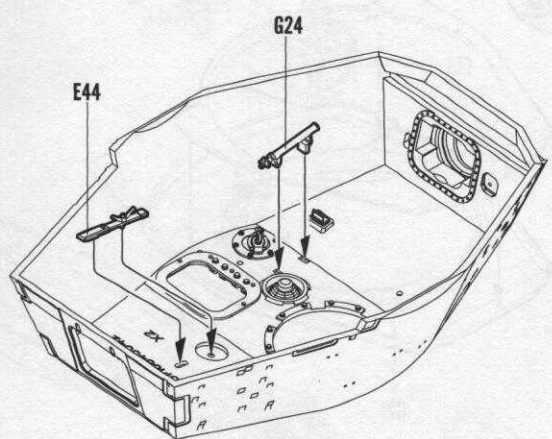
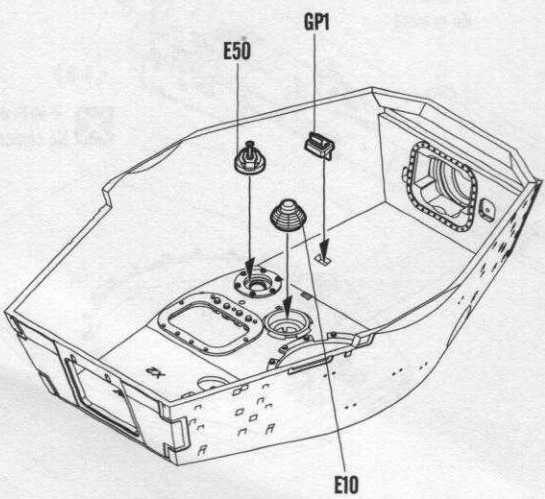
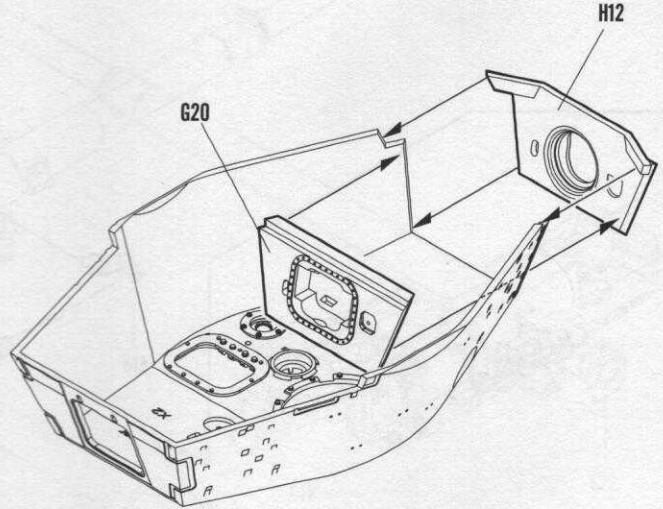
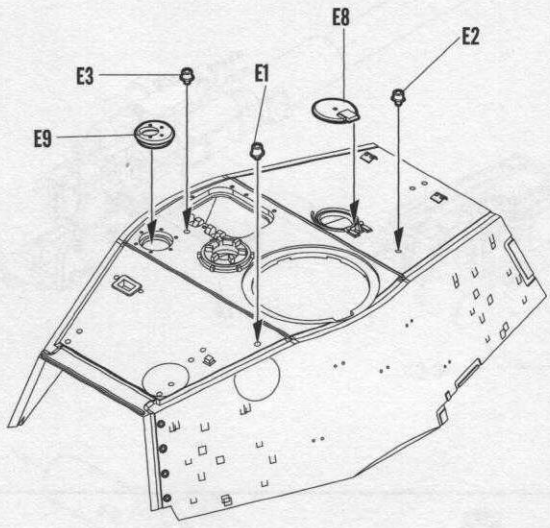
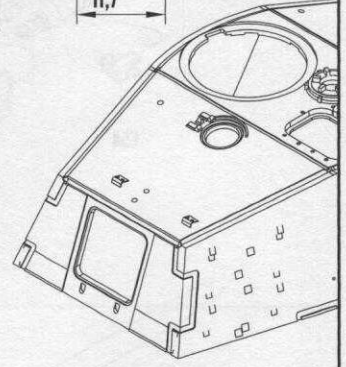
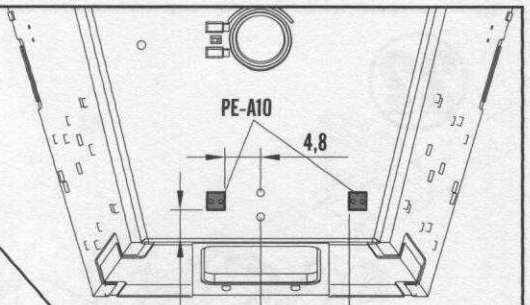
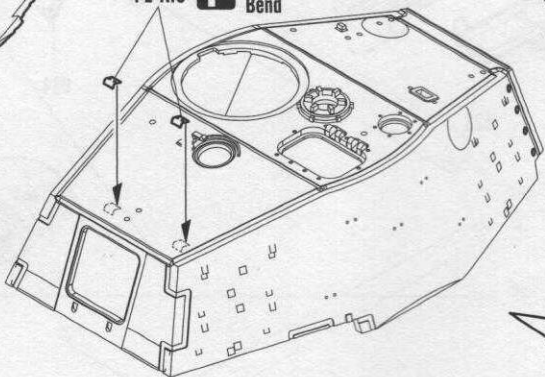

钻孔
Make hole

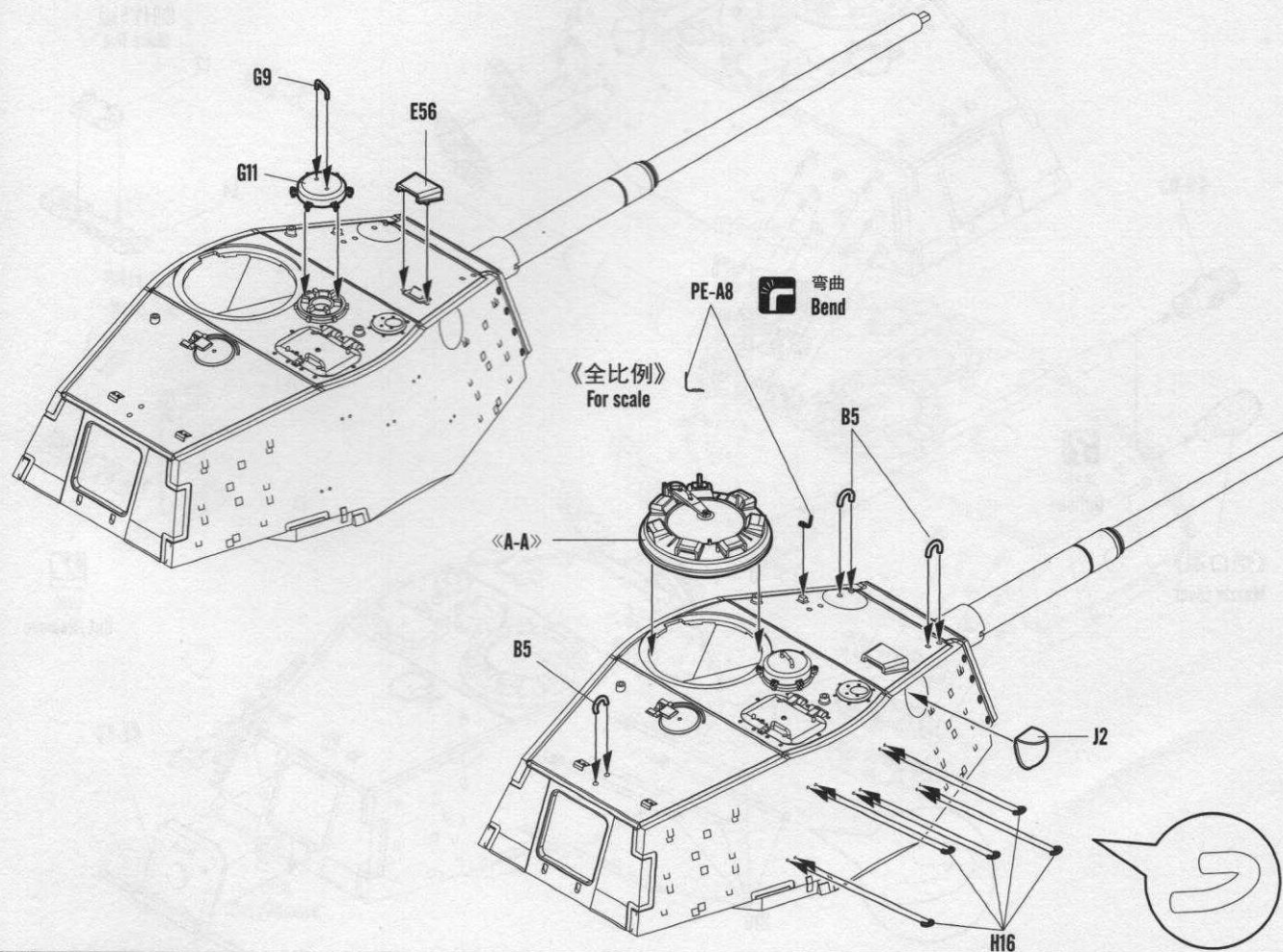
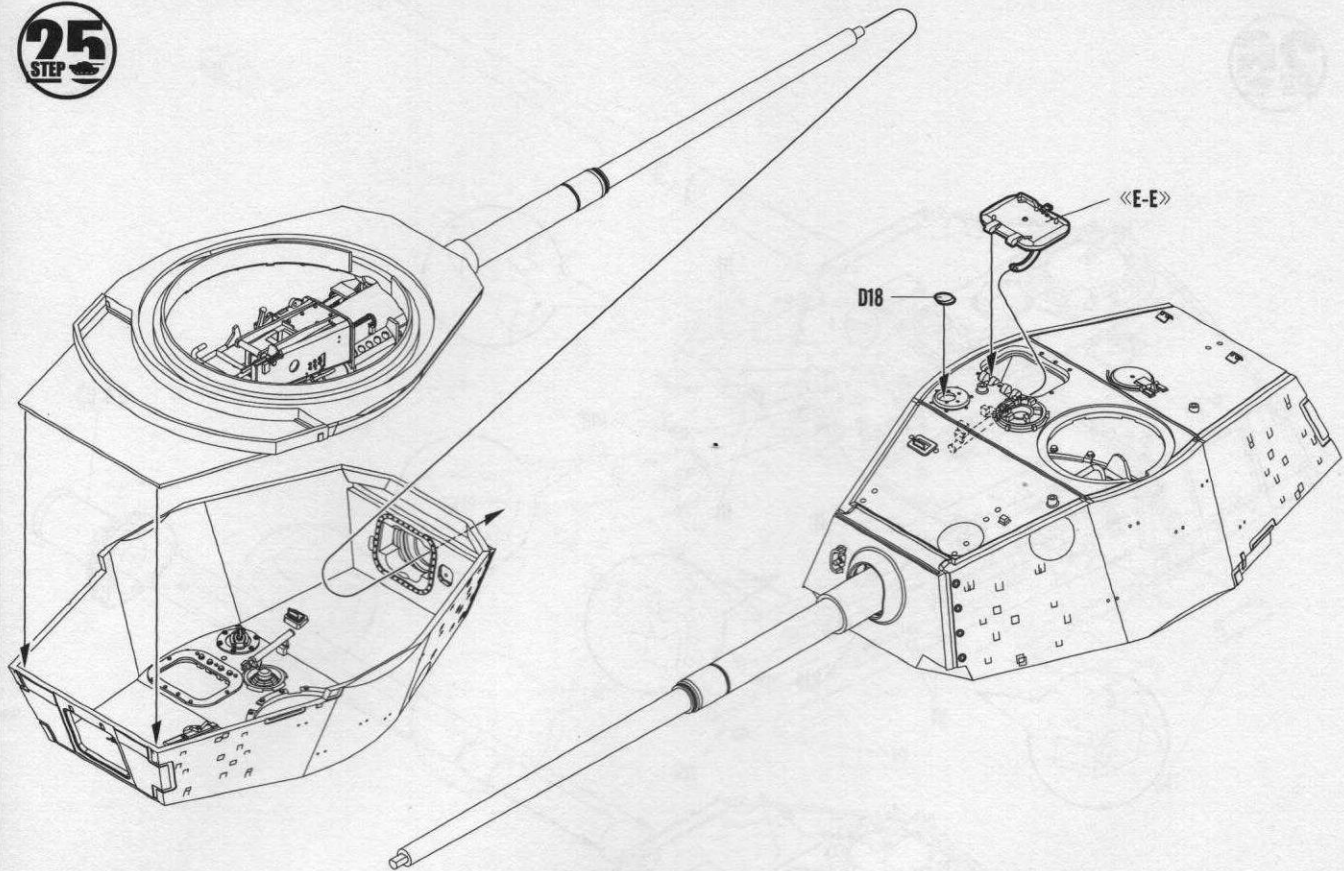
《炮塔》
Turret

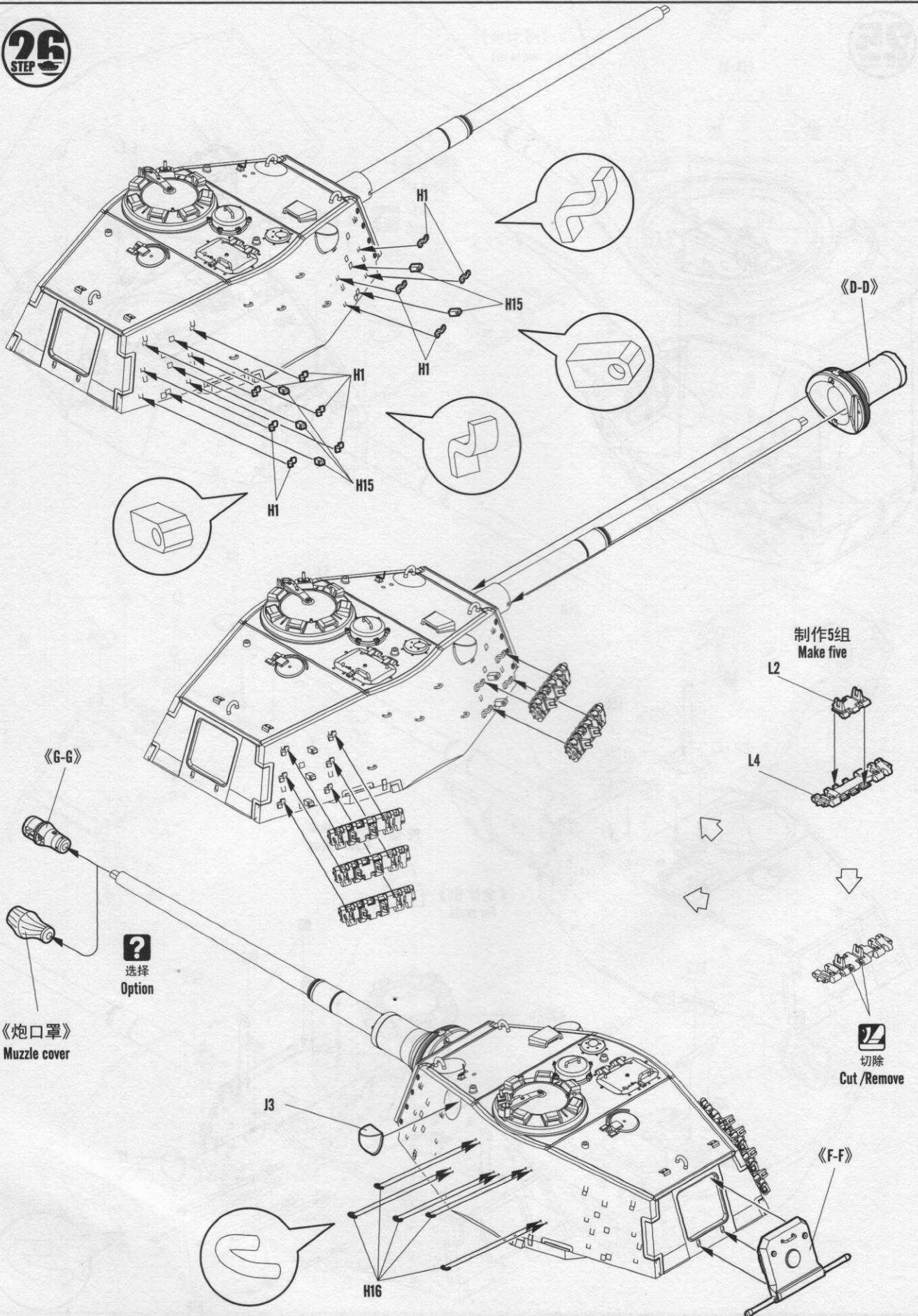
《全比例》
For scale

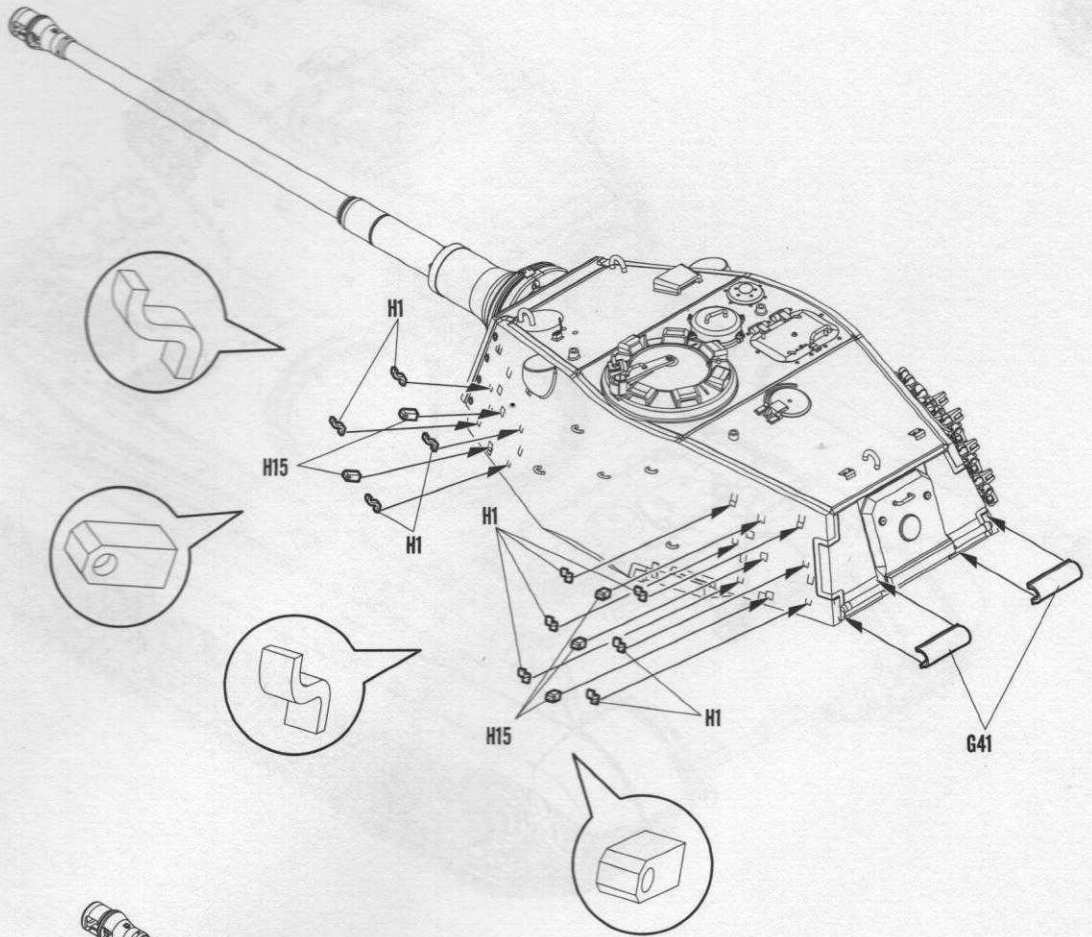
《全比例》
For scale

PE-A10  弯曲
Bend

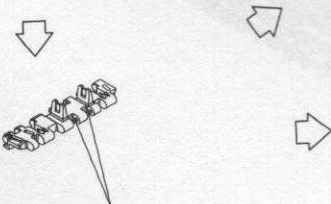
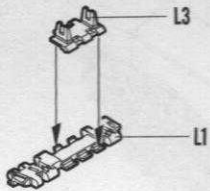




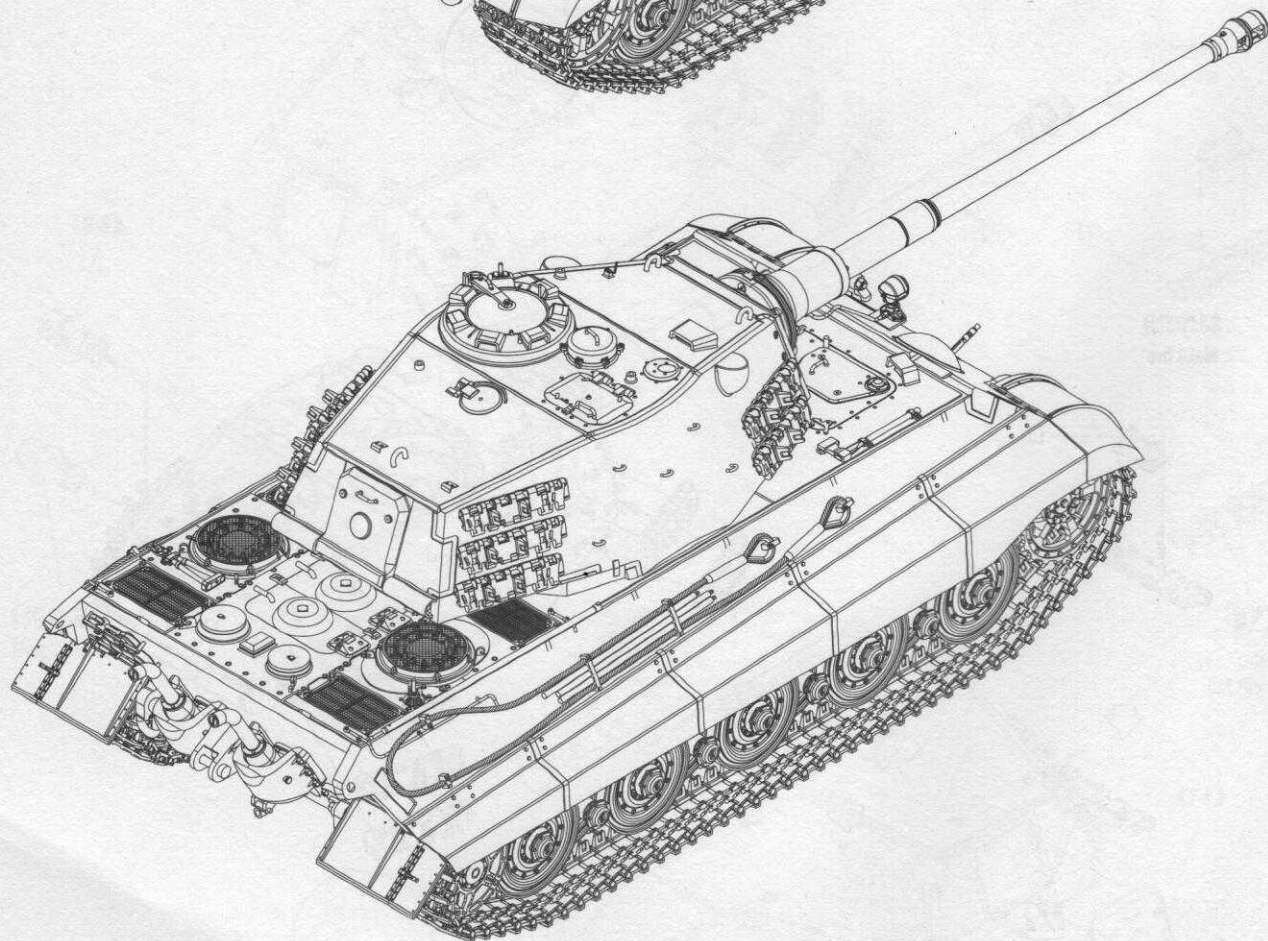
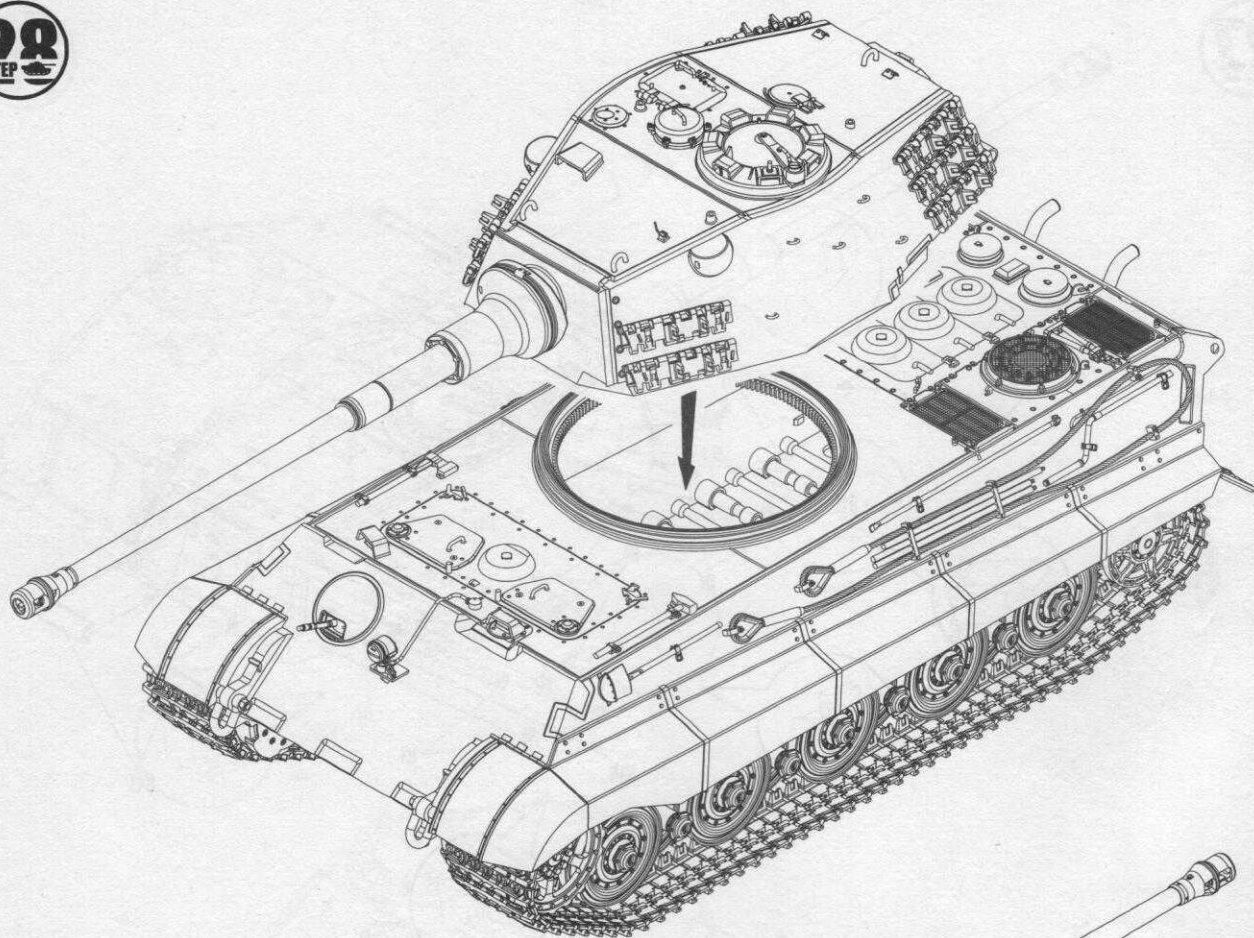




制作5组
Make five




切除
Cut/Remove



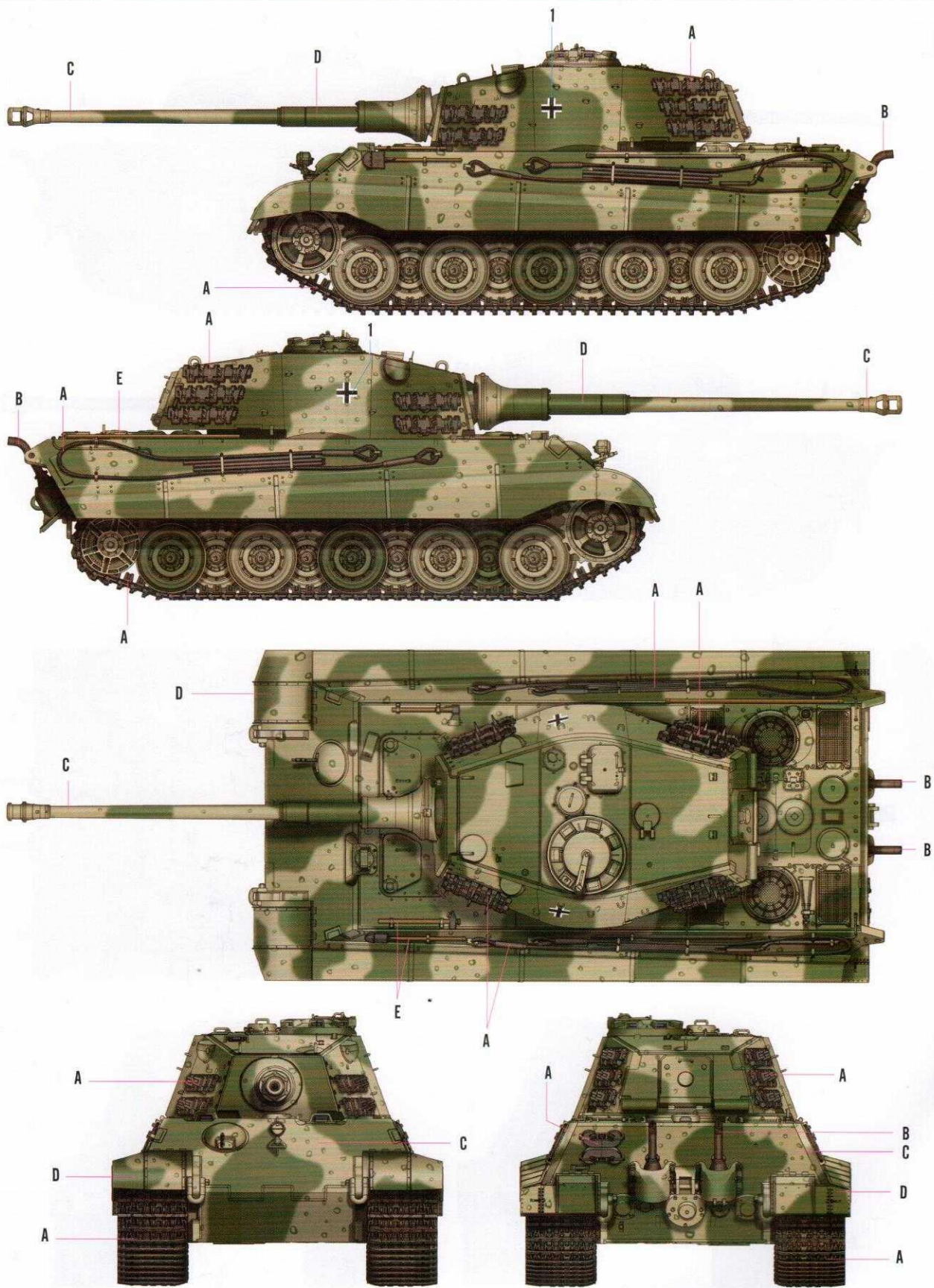
标贴与涂装 MARKING & PAINTING

PzKpfw.VI Sd. Kfz 182 Tiger II (Henschel July-1945 Production)

ドイツ重戦車 キングタイガー(ヘンシェル砲塔)計画仕様
德国虎王重型坦克-亨舍尔炮塔45年7月生产型



II



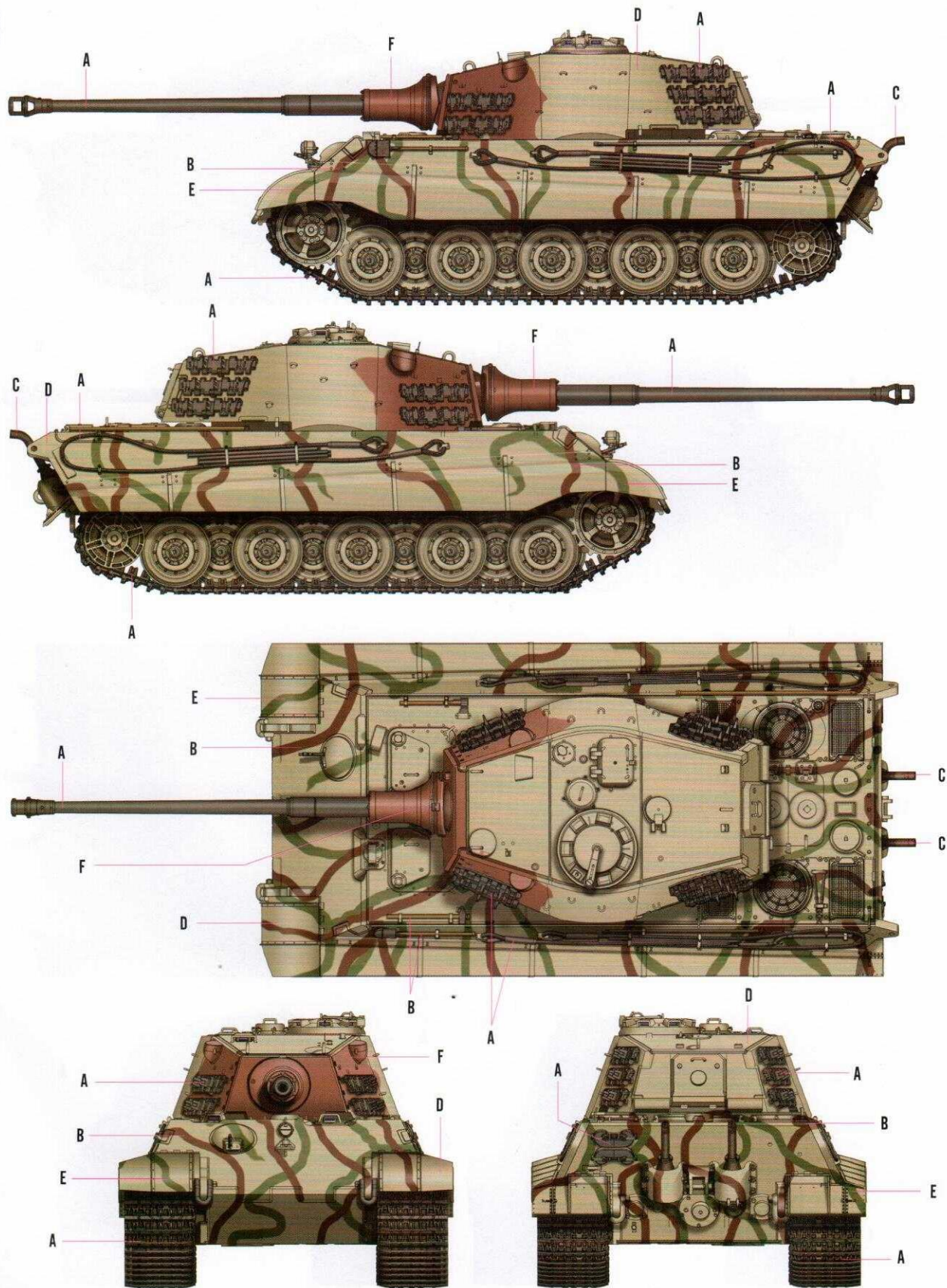
Color	Mr.Hobby	Acrycion	Vallejo	Model Master	Tamiya	Humbrol	Color	Mr.Hobby	Acrycion	Vallejo	Model Master	Tamiya	Humbrol
A	H 18 28	N 18	864	1402	--	--	D	H 70 60	N 70	869	--	XF22	--
B	H 76 61	N 76	863	1795	X10	53	E	H 37 73	N 37	983	1701	--	186
C	H 71 21	N 71								821	--	--	84

NO.:84533

H AQUEOUS HOBBY COLOR Mr. COLOR N ACRYCION COLOR

※ Some paints may not be available in your country. Please check your local hobby shop for substitute

I



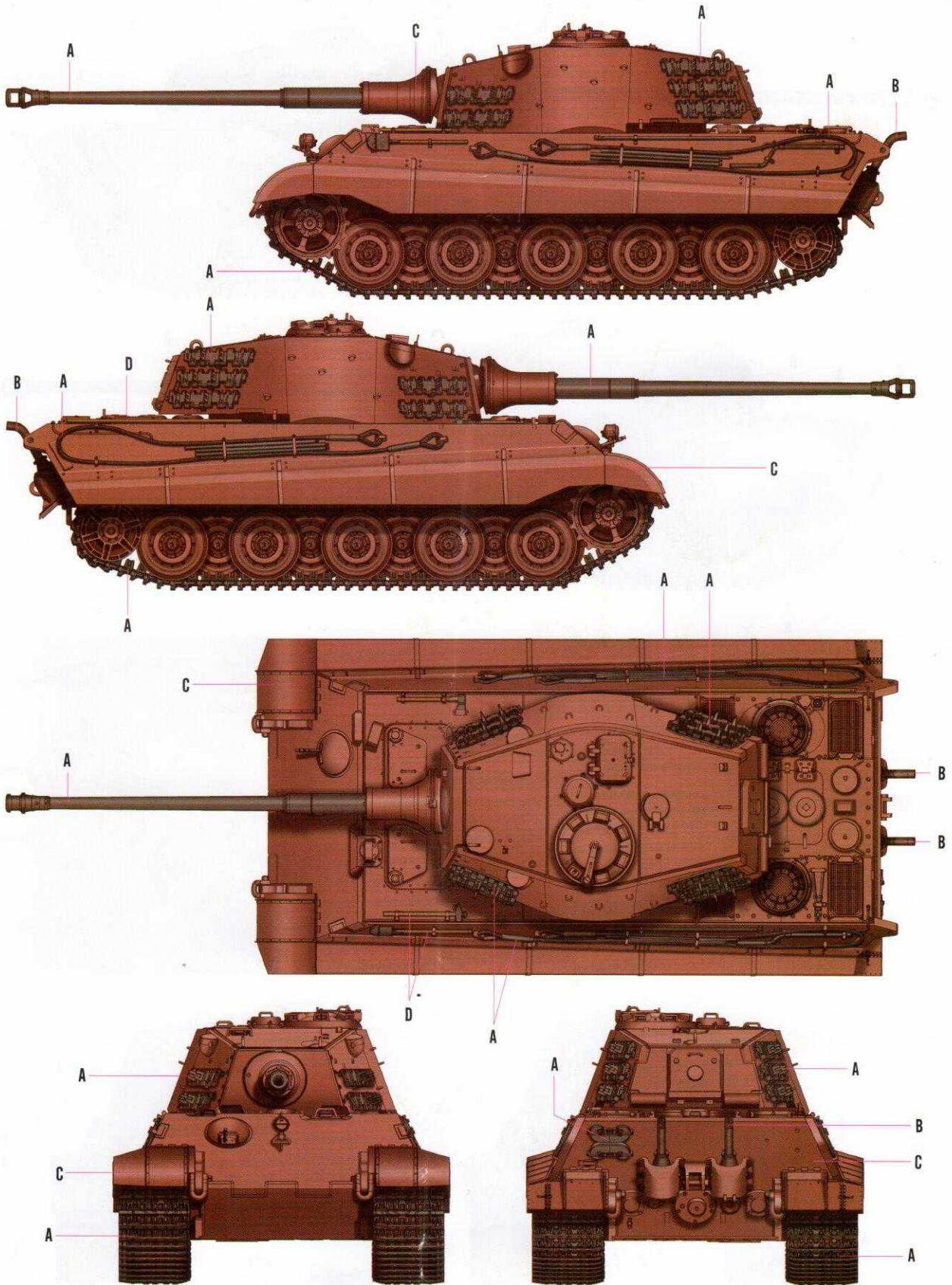
Color	Mr.Hobby	Acrycion	Vallejo	Model Master	Tamiya	Humbrol	Color	Mr.Hobby	Acrycion	Vallejo	Model Master	Tamiya	Humbrol
A 黒鉄色 Steel	H 18 28	N 18	864	1402	--	--	D 中石色 Middle Stone	H 71 21	N 71	821	--	--	84
B 木棕色 Wood Brown	H 37 43	N 37	983	1701	--	186	E 德国灰 RLM02 Gray	H 70 60	N 70	869	--	XF22	--
C 烧铁色 Burnt Iron	H 76 61	N 76	863	1795	X10	53	F 红棕色 Red Brown	H 47 41	N 47	984	--	XF64	160

NO.:84533

H AQUEOUS HOBBY COLOR Mr. COLOR N ACRYCION COLOR

※Some paints may not be available in your country. Please check your local hobby shop for substitute

IV

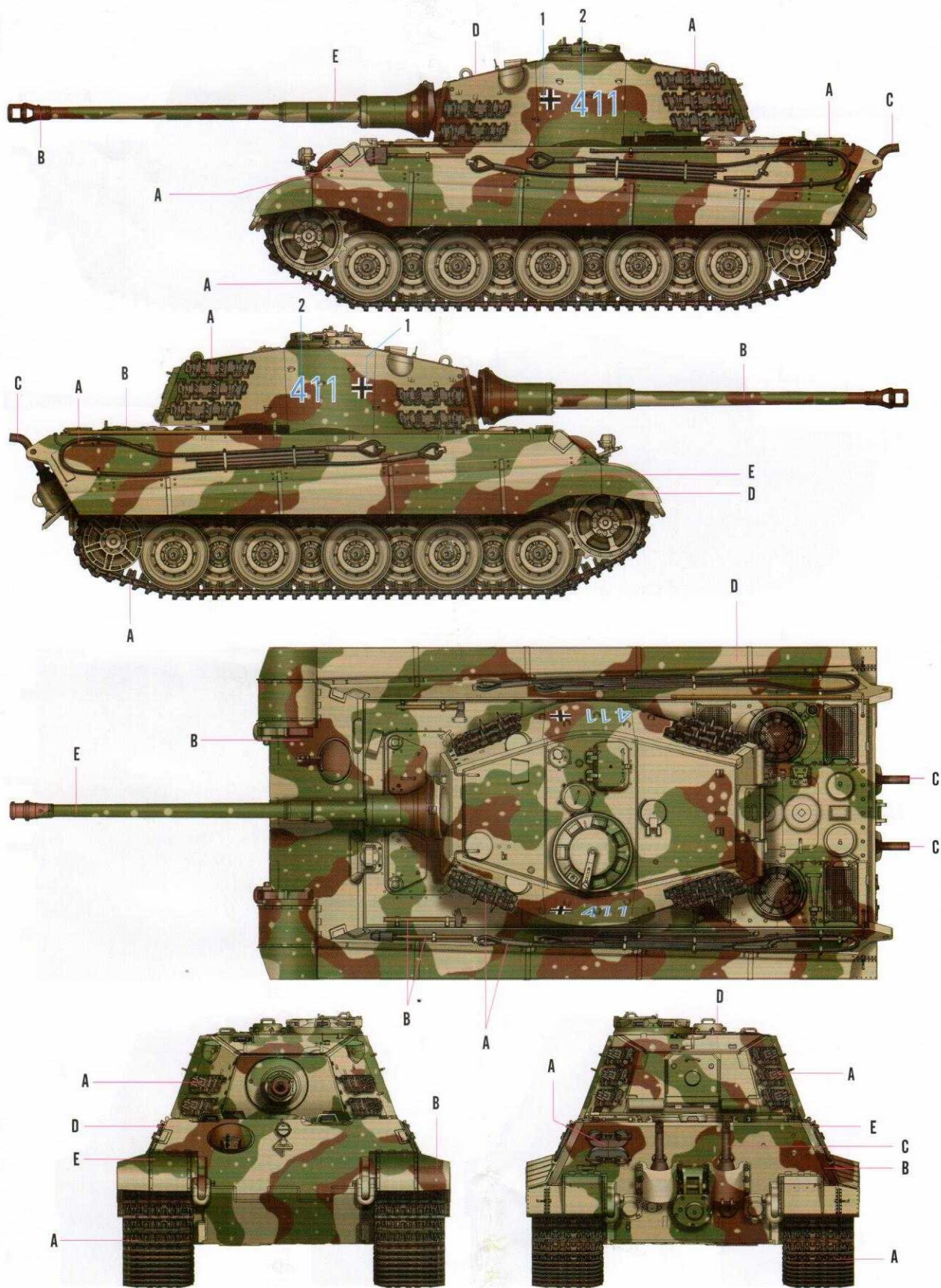


Color	Mr.Hobby	Acrycion	Vallejo	Model Master	Tamiya	Humbrol	Color	Mr.Hobby	Acrycion	Vallejo	Model Master	Tamiya	Humbrol
A 黒鉄色 Steel	H 18 28	N 18	864	1402	--	--	C 紅棕色 Red Brown	H 47 41	N 47	984	--	XF64	160
B 焼鉄色 Burnt Iron	H 76 61	N 76	863	1795	X10	53	D 木棕色 Wood Brown	H 37 43	N 37	983	1701	--	186

H AQUEOUS HOBBY COLOR Mr. COLOR N ACRYCION COLOR

※Some paints may not be available in your country. Please check your local hobby shop for substitute

III



Color	Mr.Hobby	Acrycion	Vallejo	Model Master	Tamiya	Humbrol	Color	Mr.Hobby	Acrycion	Vallejo	Model Master	Tamiya	Humbrol
A	黒鉄色 Steel	H [18] 28	N [18]	864	1402	--	C	烧铁色 Burnt Iron	H [76] 61	N [76]	863	1795	X10
B	木棕色 Wood Brown	H [37] 43	N [37]	983	1701	186	D	中石色 Middle Stone	H [71] 21	N [71]	821	--	84
							E	德国灰 RLM02 Gray	H [70] 60	N [70]	869	--	XF22

H AQUEOUS HOBBY COLOR X Mr. COLOR N ACRYSION COLOR

※ Some paints may not be available in your country. Please check your local hobby shop for substitute