

READ BEFORE ASSEMBLY

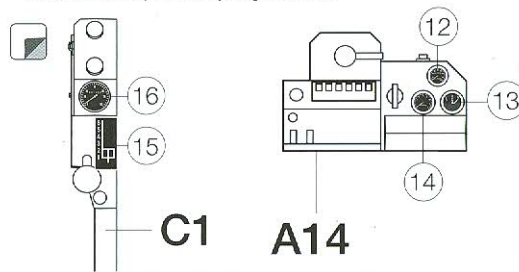
CAUTION

- Read carefully and fully understand the instructions before commencing assembly. A supervising adult should also read the instructions if a child assembles the model.
- When assembling this kit, tools including knives used. Extra care should be taken to avoid personal injury.
- Keep out of reach of small children. Children must not be allowed to suck any part, or pull vinyl bag over their heads.



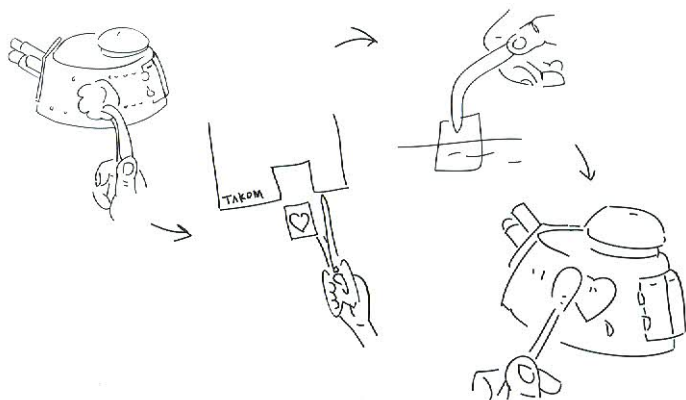
PAINTS REQUIRED

- Color info and profiles by Mig Jimenez

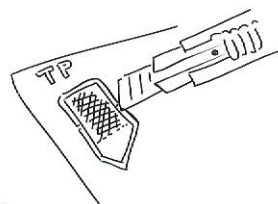


APPLYING DECALS

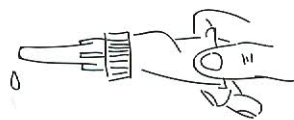
1. Clean the model surface with a wet cloth.
2. Cut out each decal design from sheet, and dip it in tepid water for 15–20 sec.
3. Hold the backing sheet edge and slide decal onto the model.
4. Move decal into position by wetting decal with finger.
5. Press decal gently down with a soft cloth until excess water and air bubbles are gone.



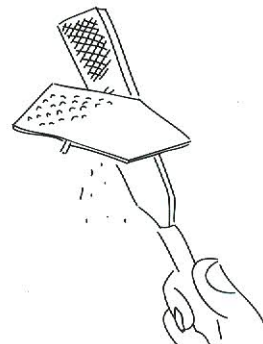
REMOVING PE



Be careful not to hurt when removing PE parts.

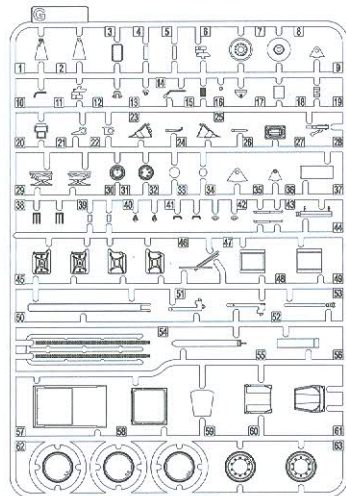
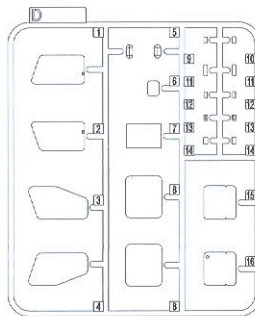
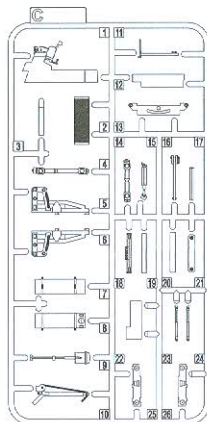
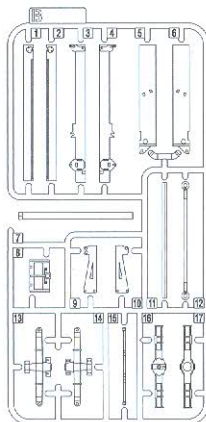
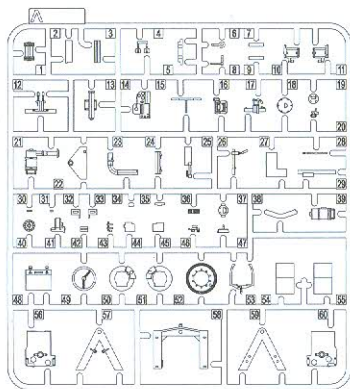


Secure using instant glue (not included).

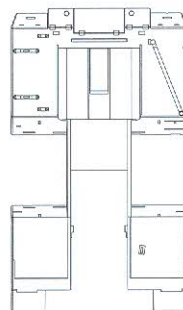
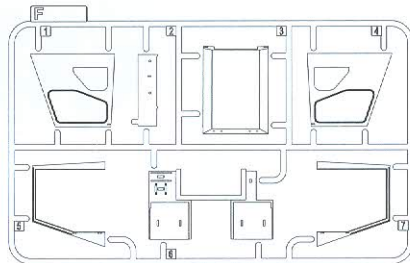
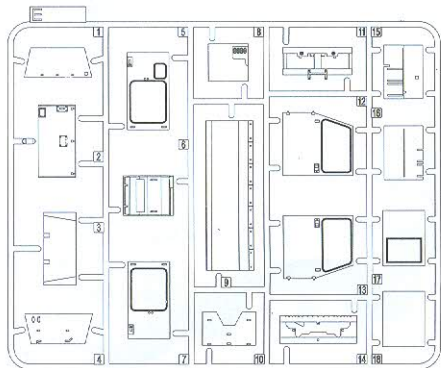


Finish using file.

PARTS



Tire x5



Lower Hull

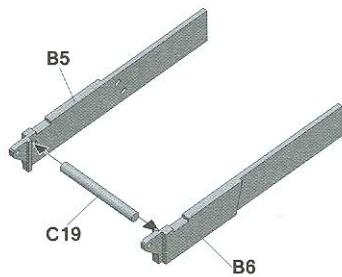
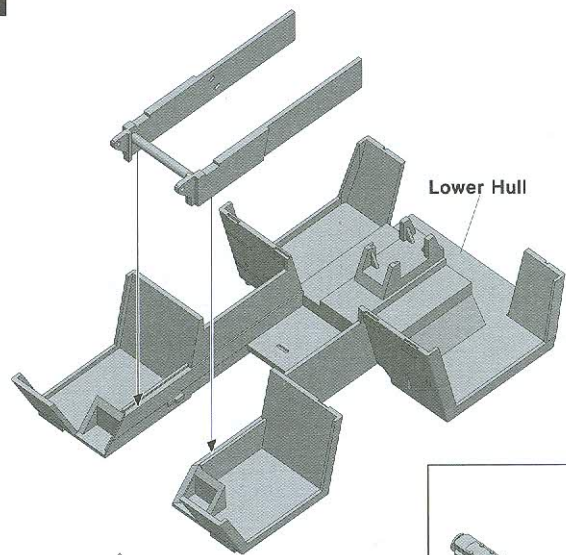
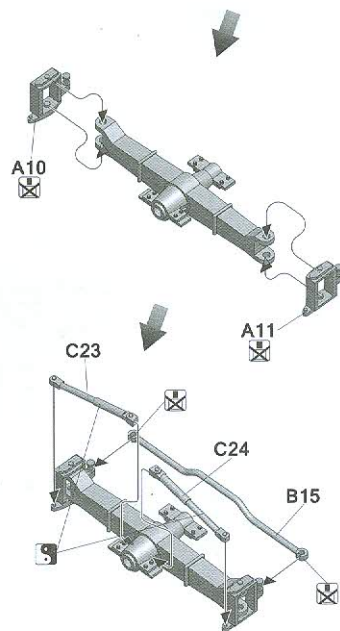
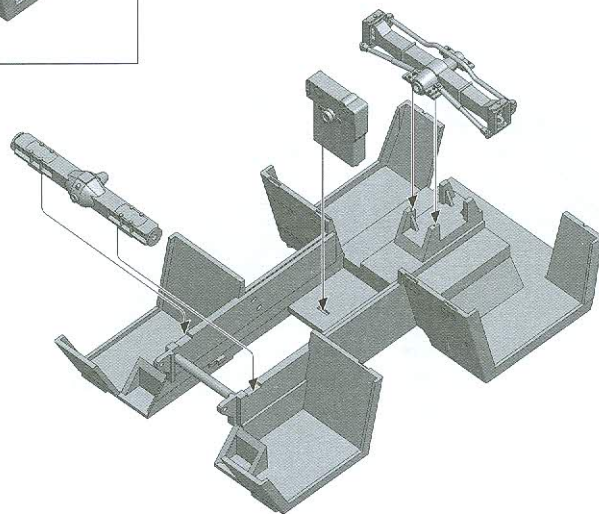
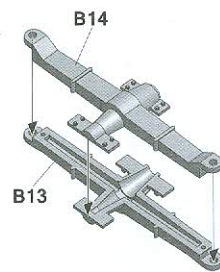
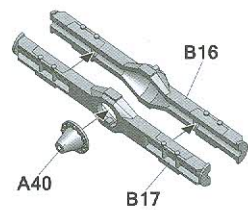
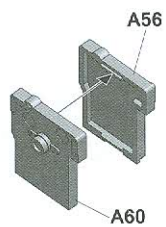
x2



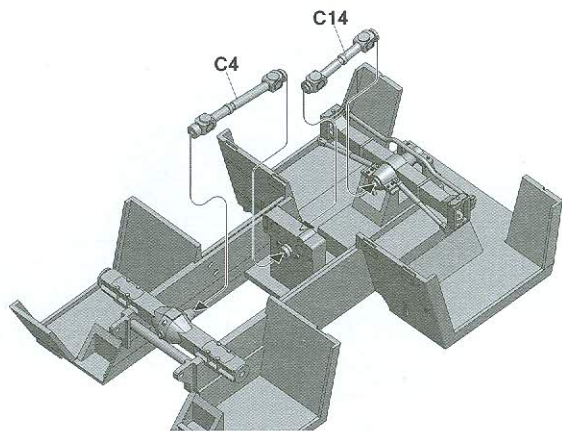
Decal



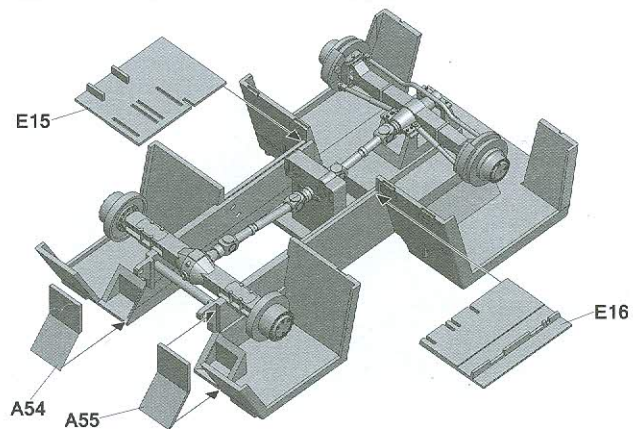
TP

1**2****3**

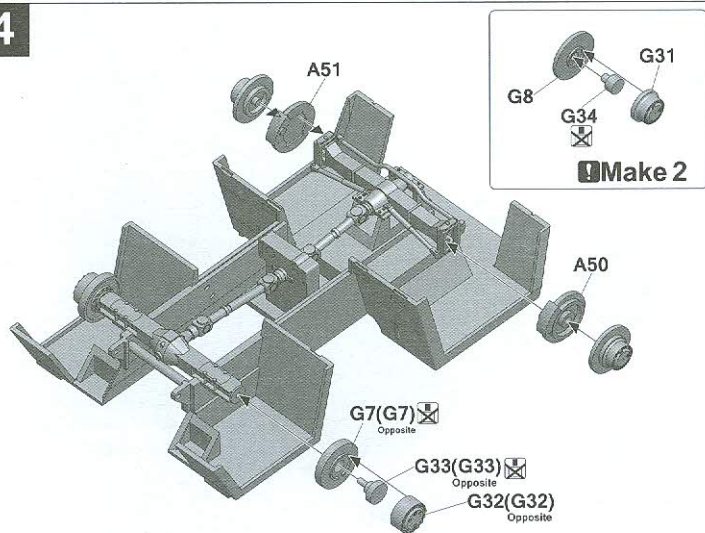
3



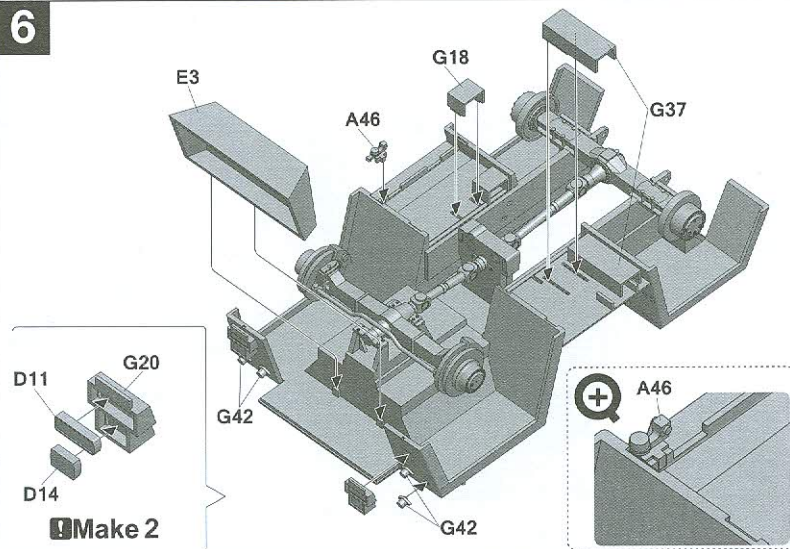
5



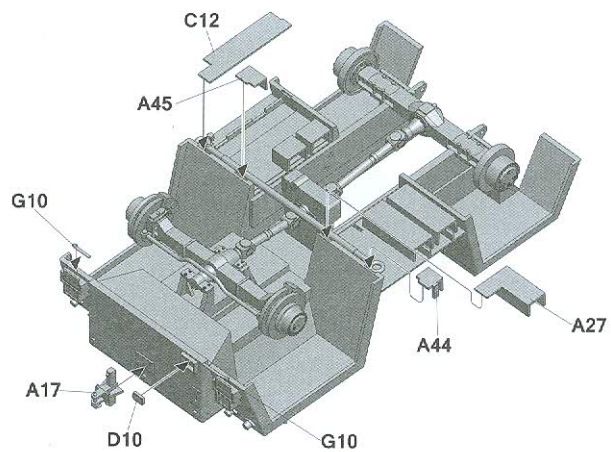
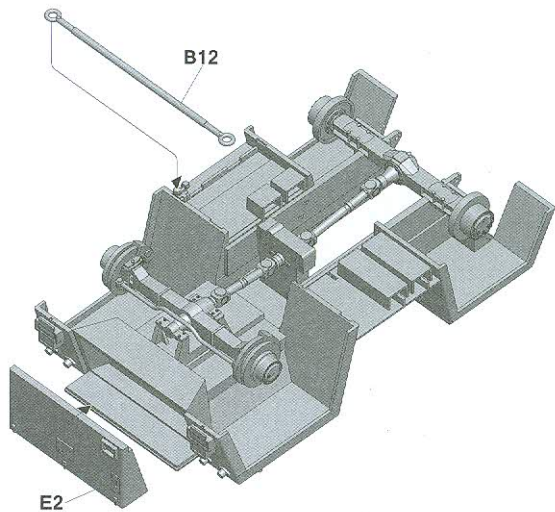
4



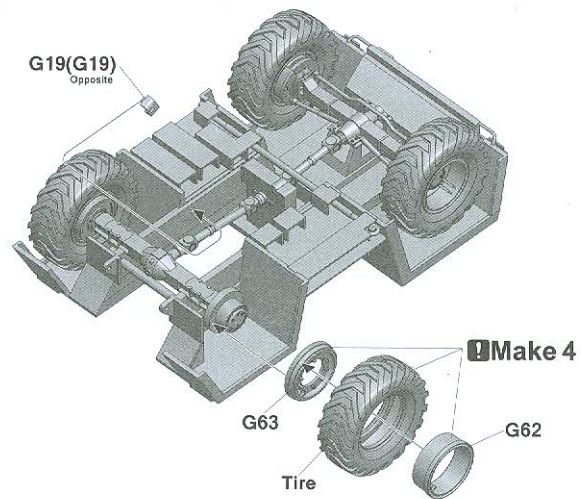
6



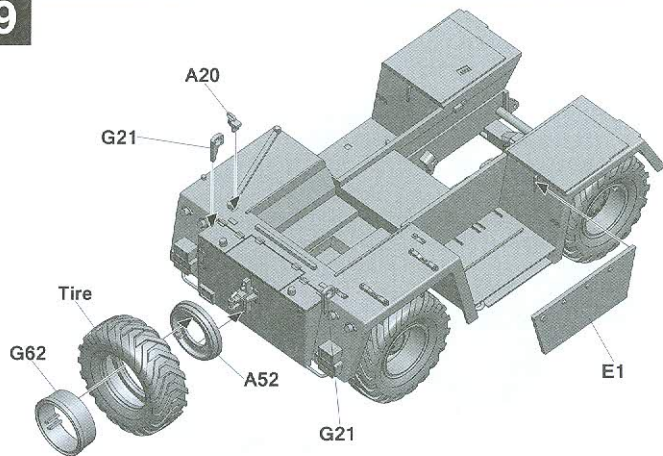
7



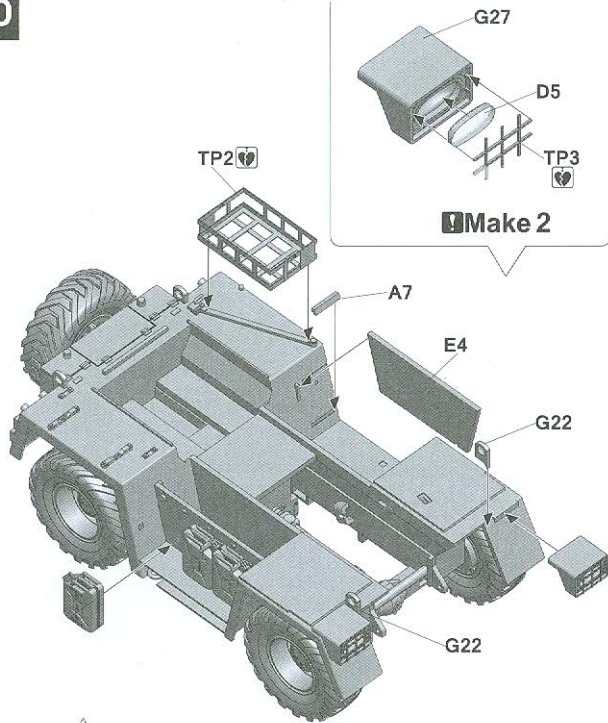
8



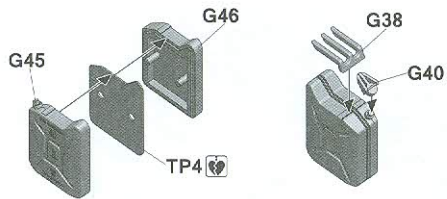
9



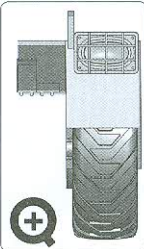
10



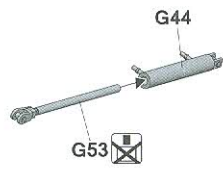
Make 2



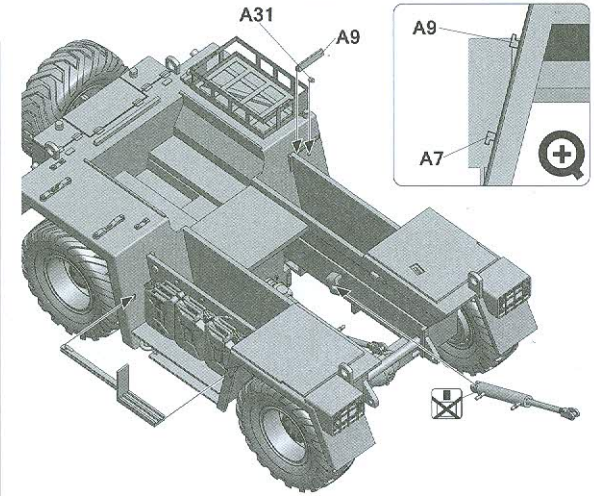
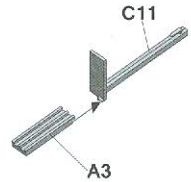
Make 3



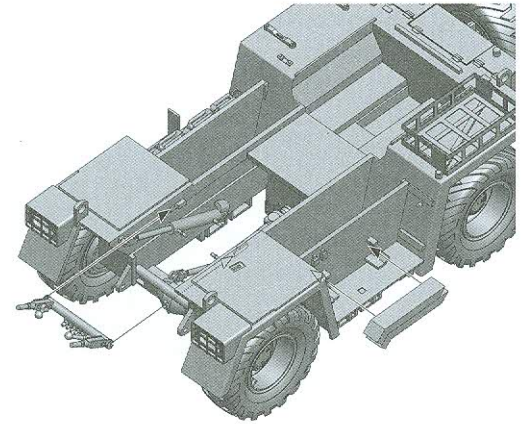
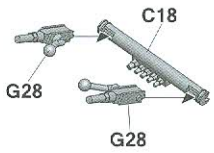
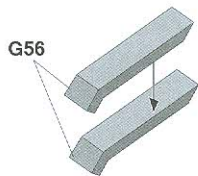
11



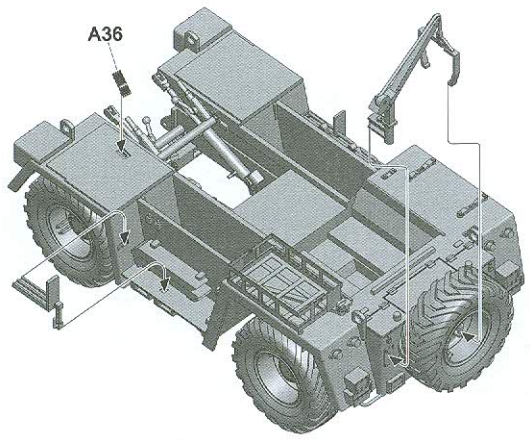
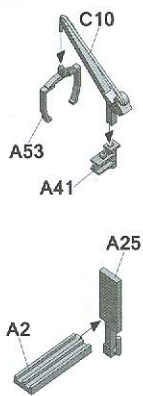
Make 2



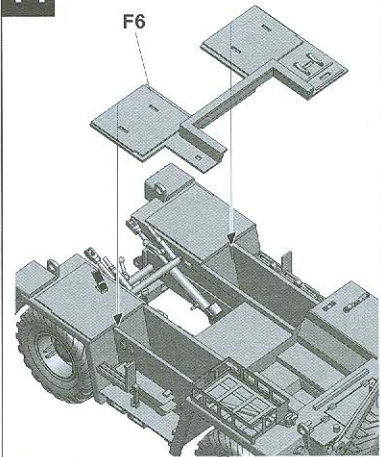
12



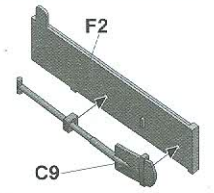
13



14



15

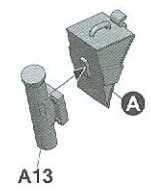


A

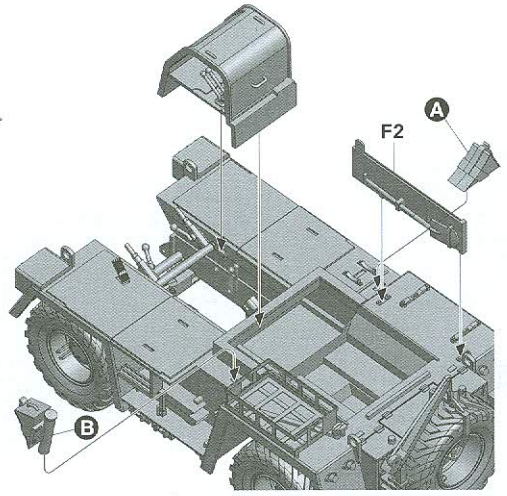
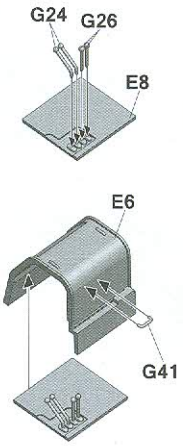


Make 2

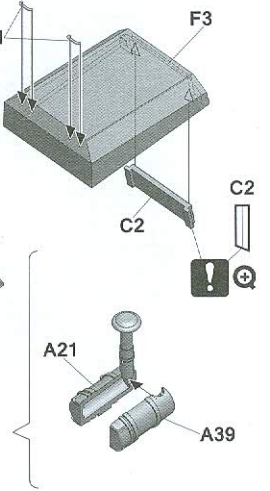
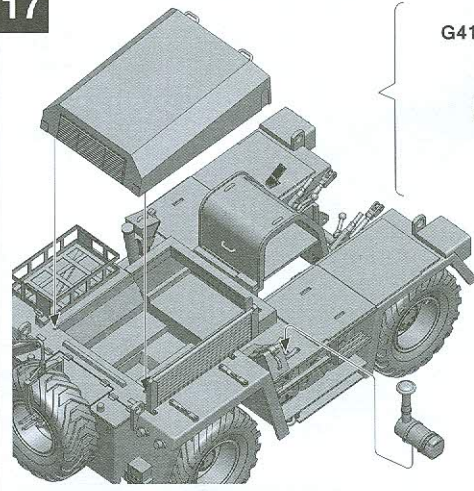
B



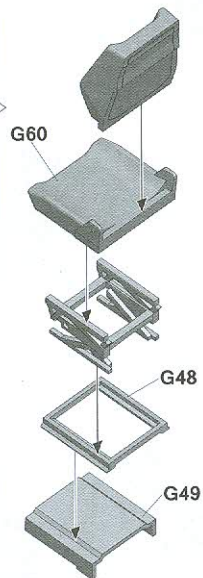
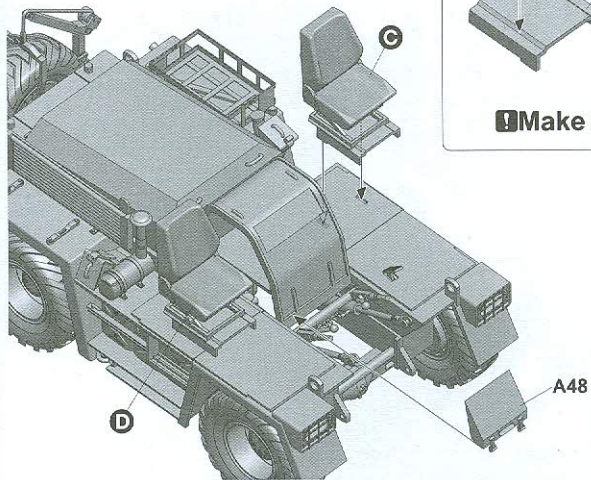
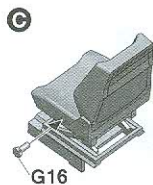
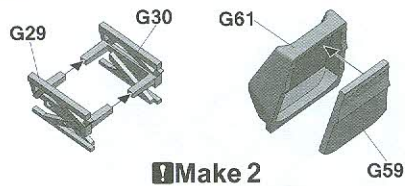
16



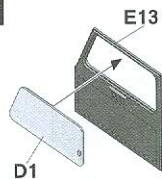
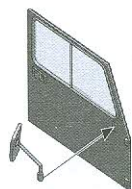
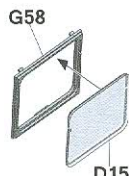
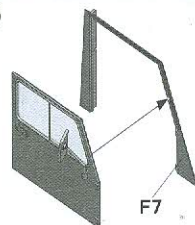
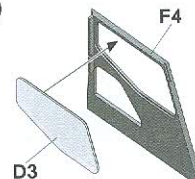
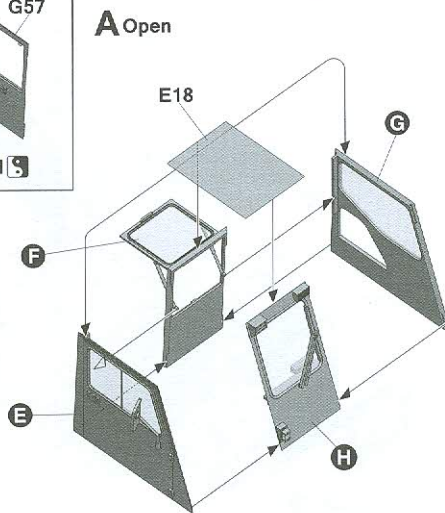
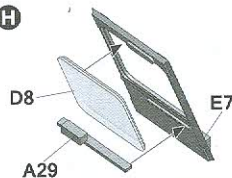
17



18

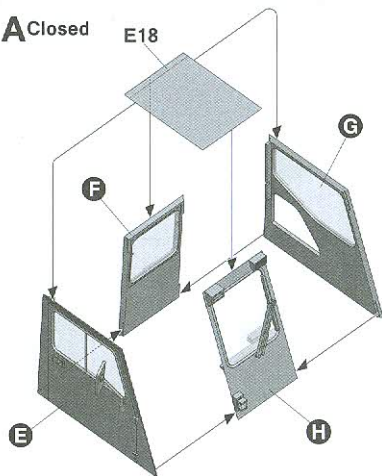
**Make 2**

19

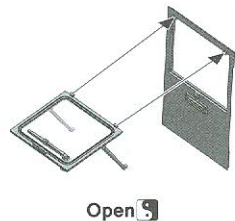
**G14****E****F****G****A Open****H**

20

A Closed

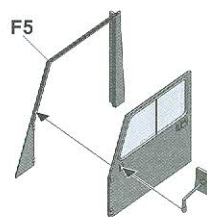
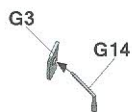
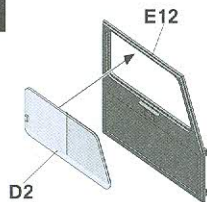


21

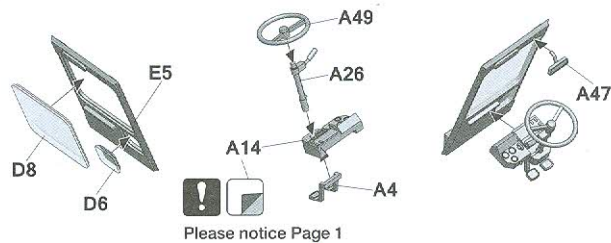


22

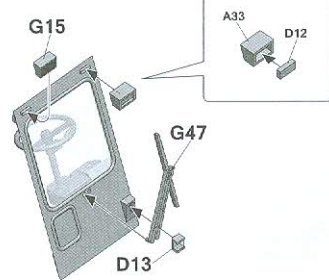
I



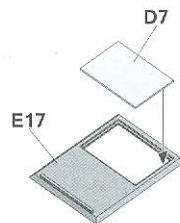
23



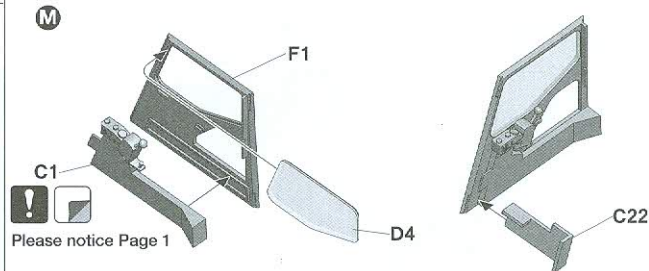
K



L

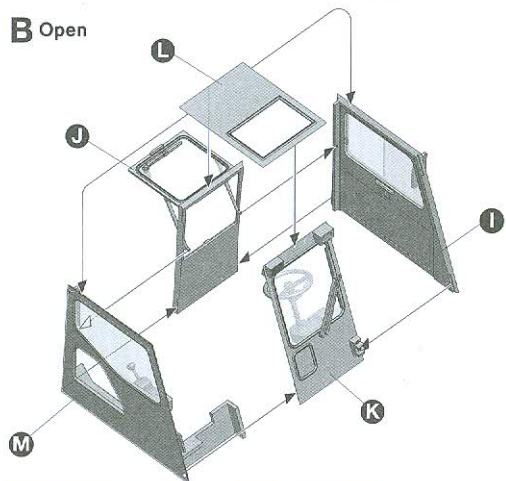


M

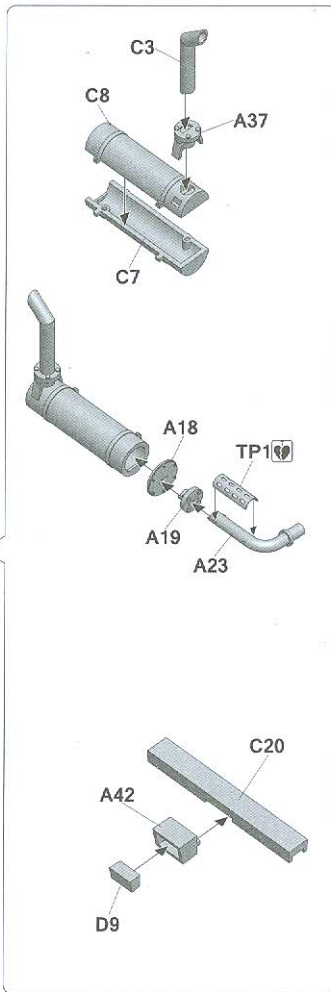
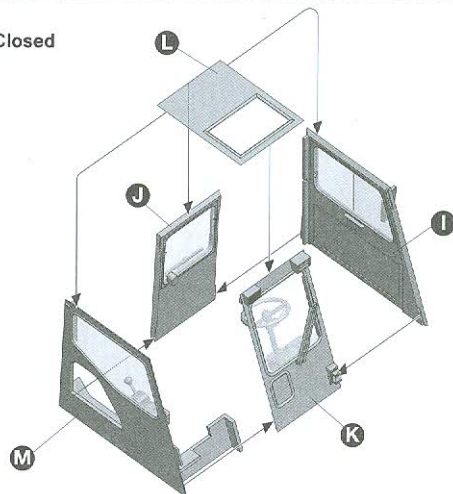


24

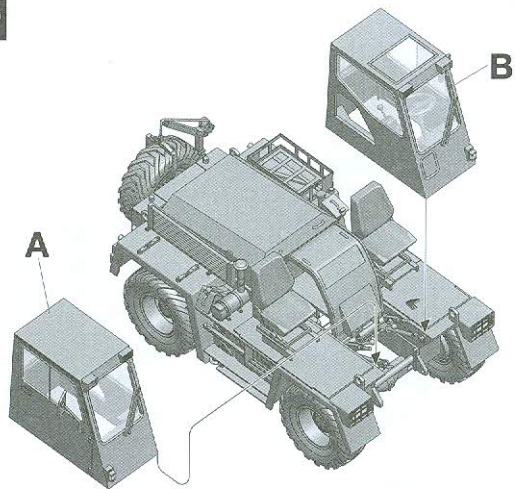
B Open



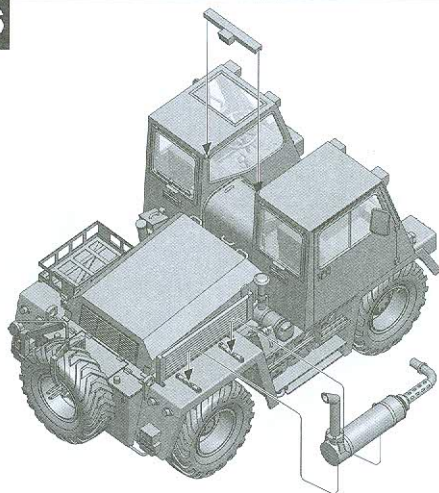
Closed



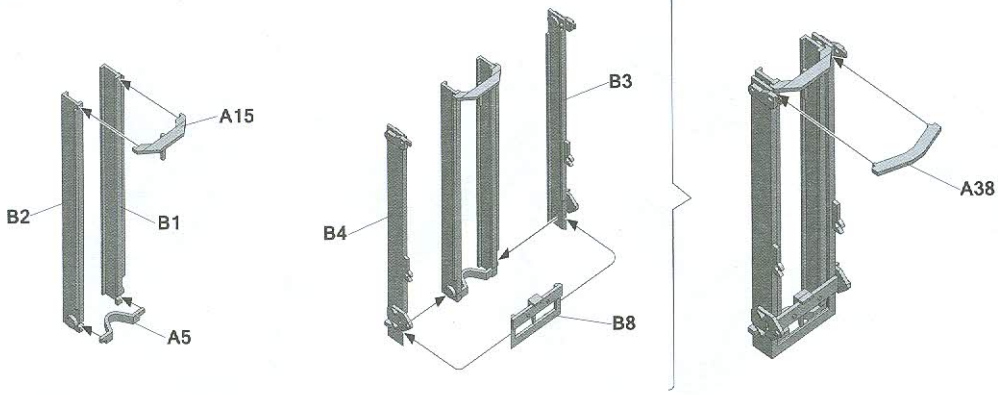
25



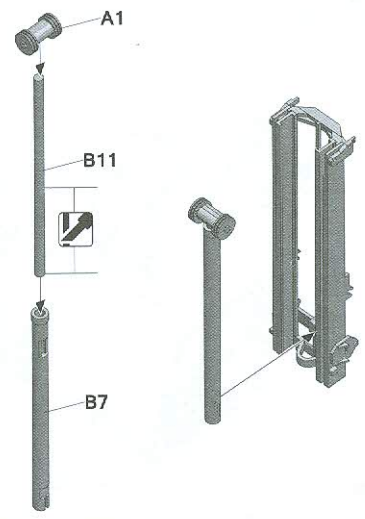
26



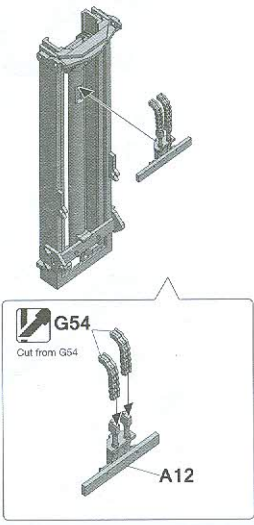
27



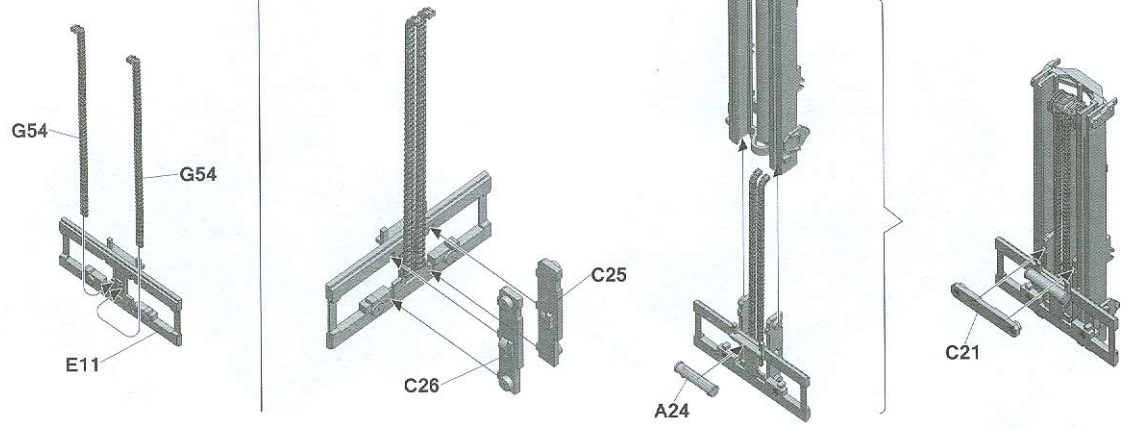
28



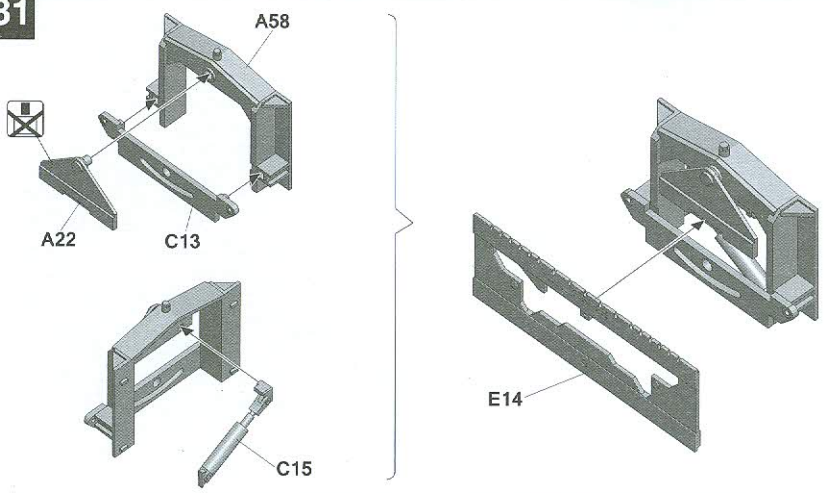
29



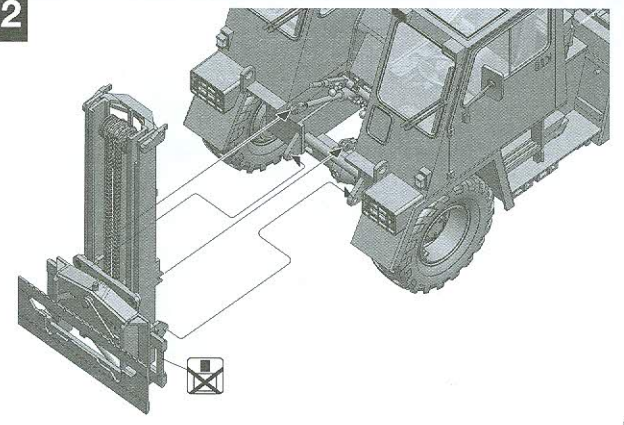
30



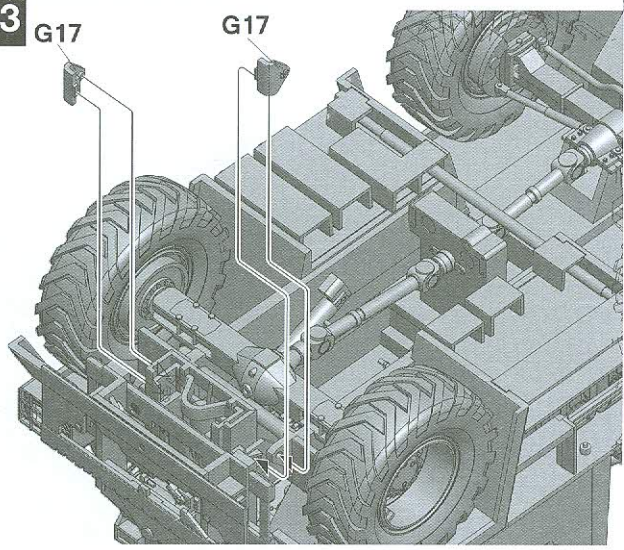
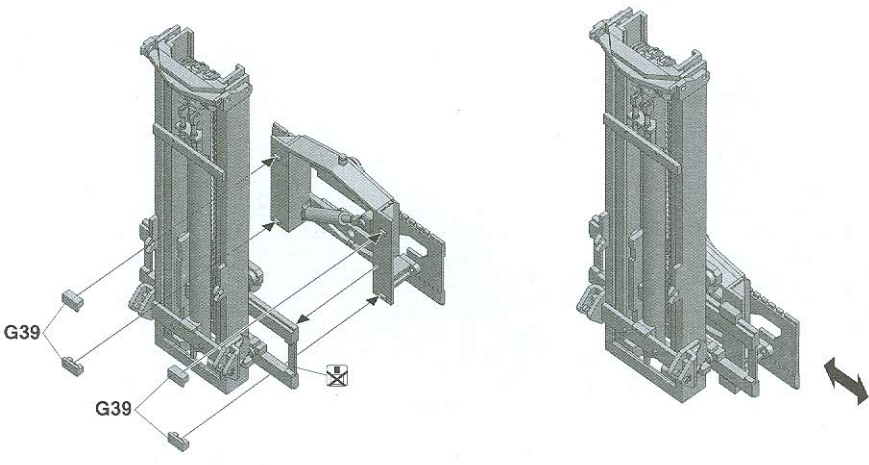
31



32

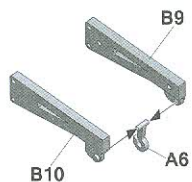
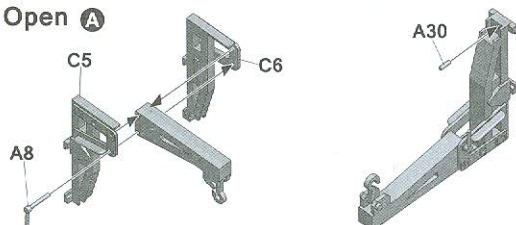
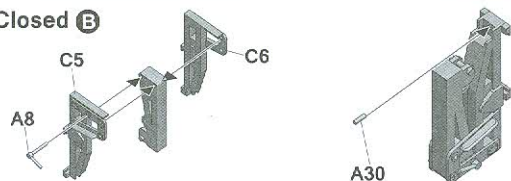
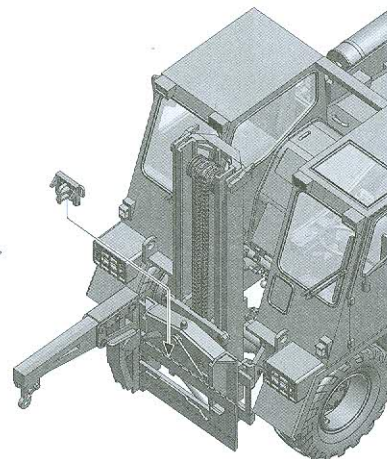
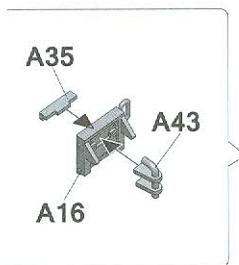
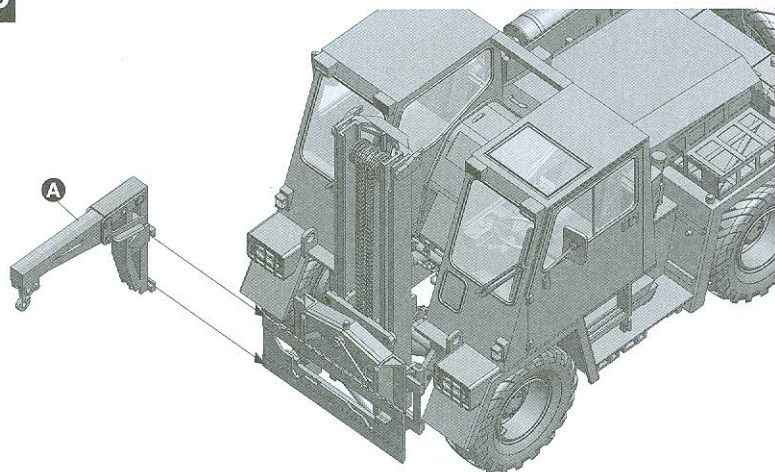
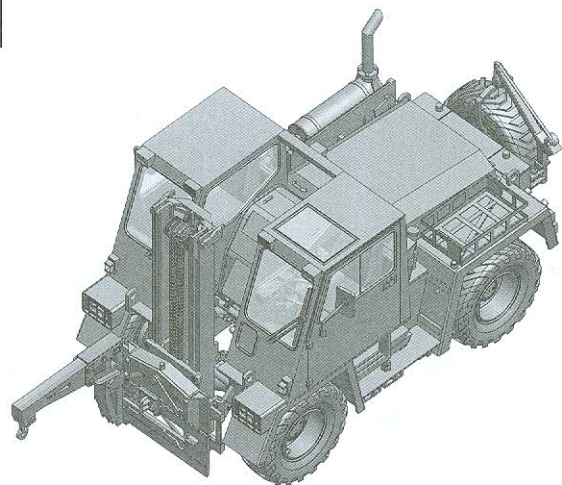


33

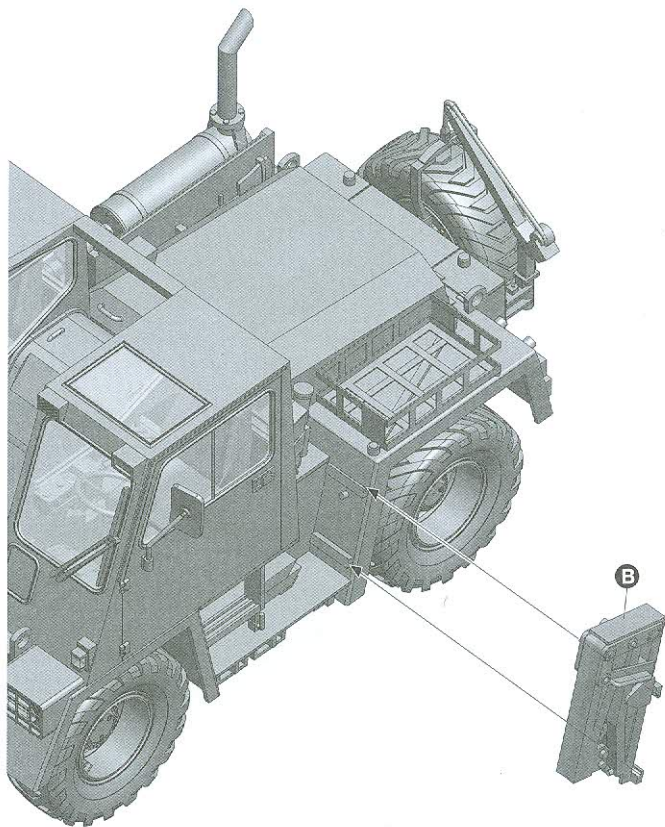


34

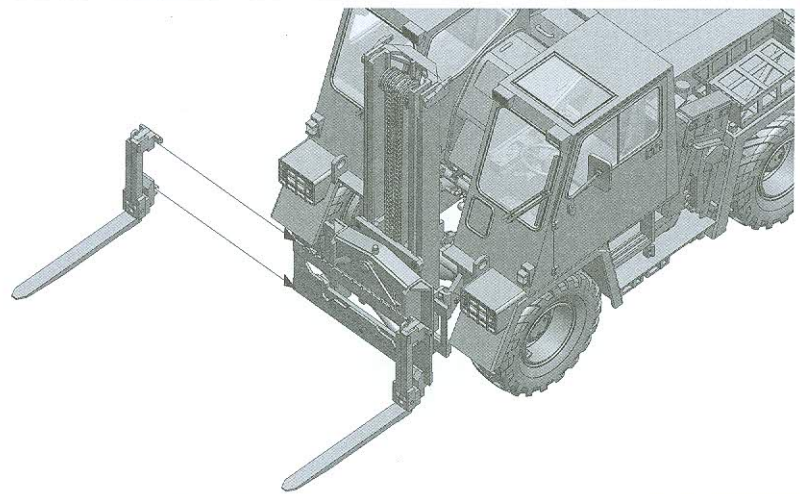
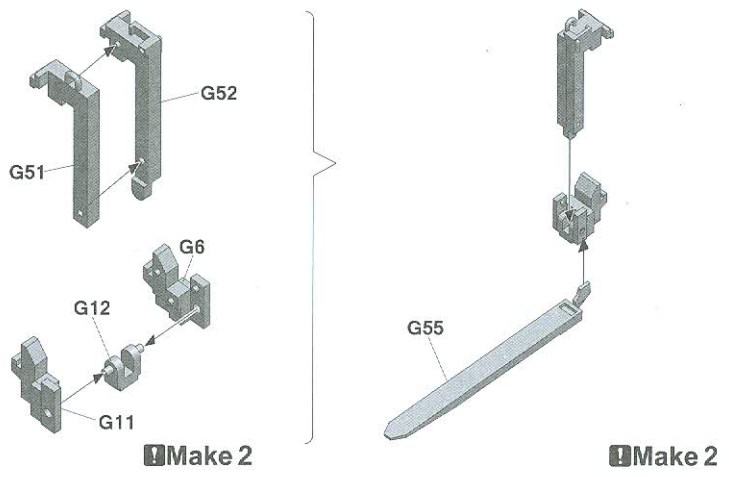
Step 34-37 Crane
 Step 38-41 Forklift(short)
 Step 42-44 Forklift(long)
 Step 45-48 Dozer

**Open A****Closed B****36****35****37**

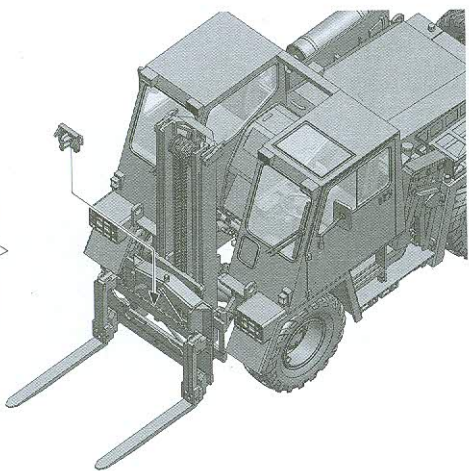
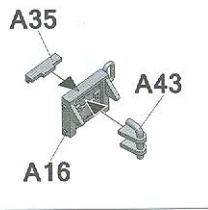
38 Step 38-41 Forklift(short)



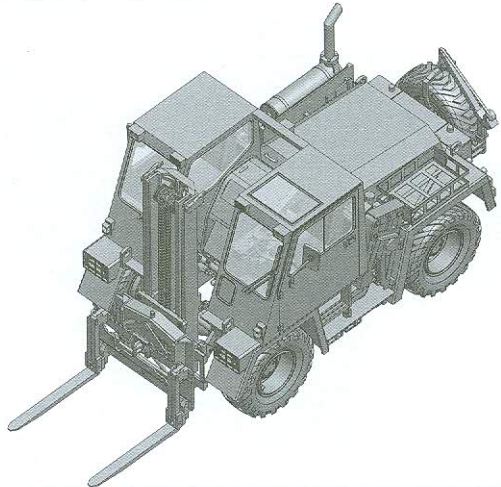
39



40

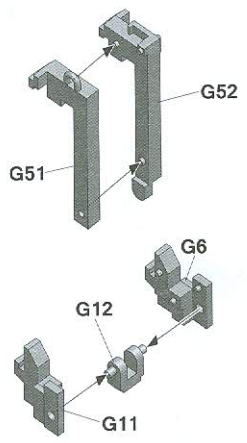


41

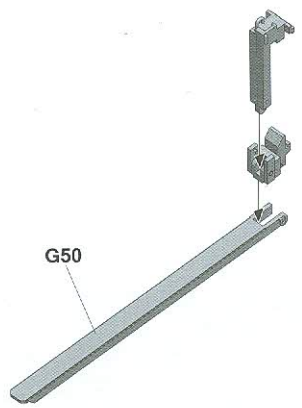


42

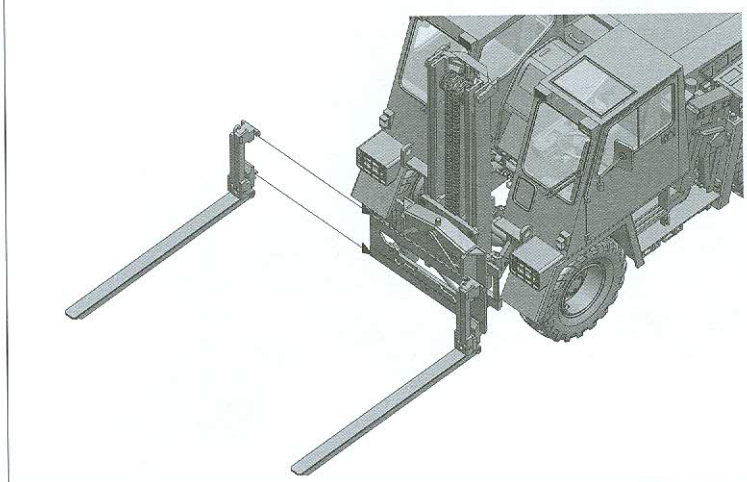
Step 42-44 Forklift(long)



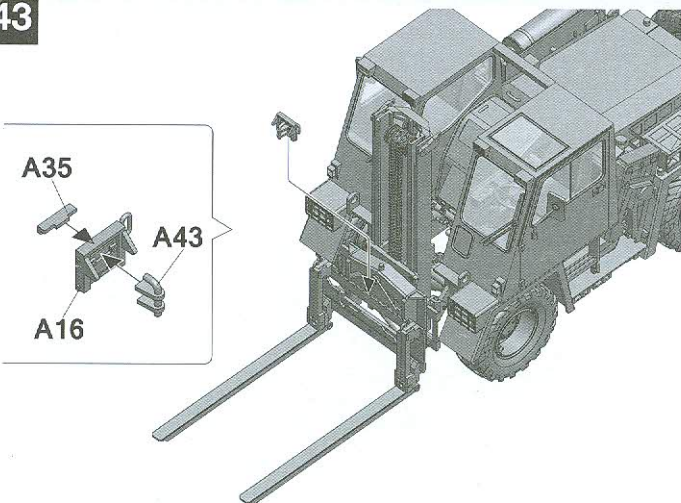
Make 2



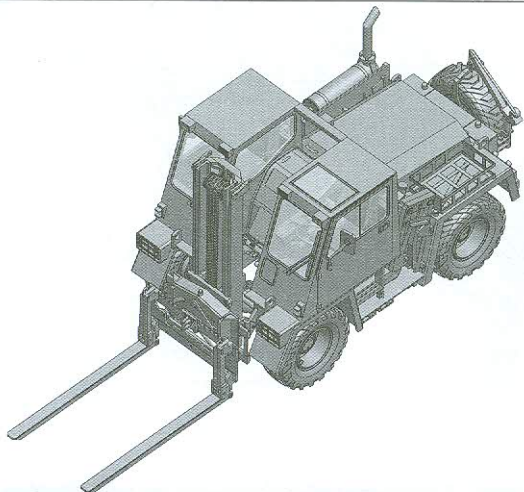
Make 2



43

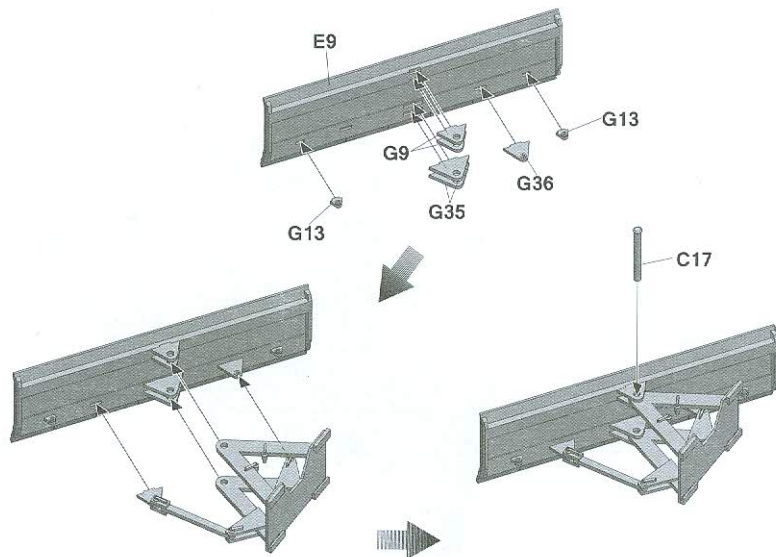
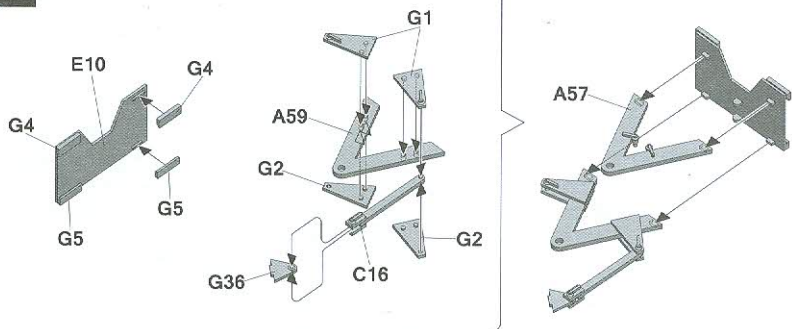


44

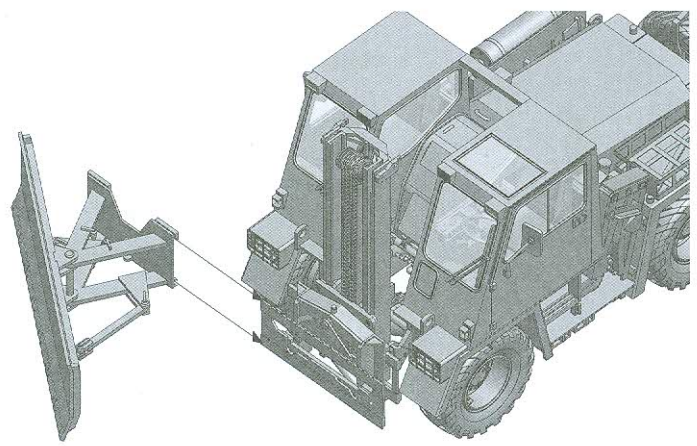


45

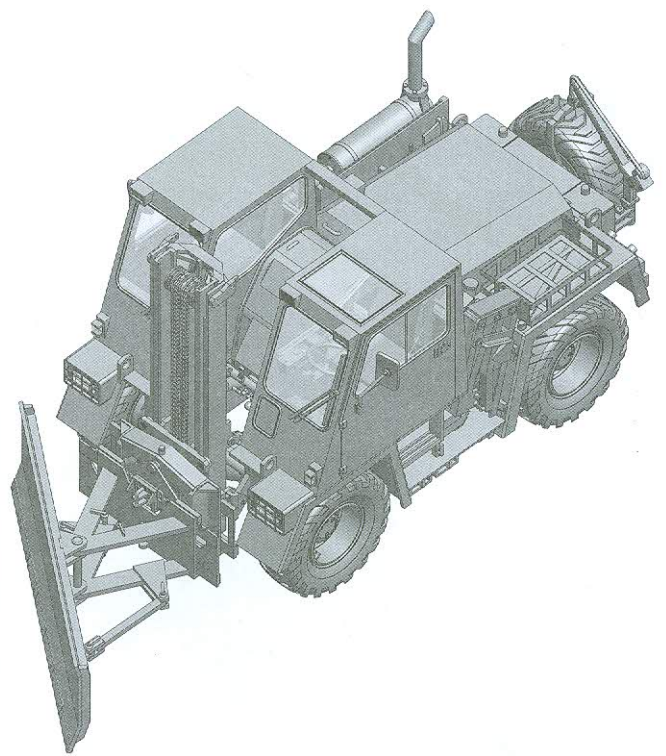
Step 45-48 Dozer



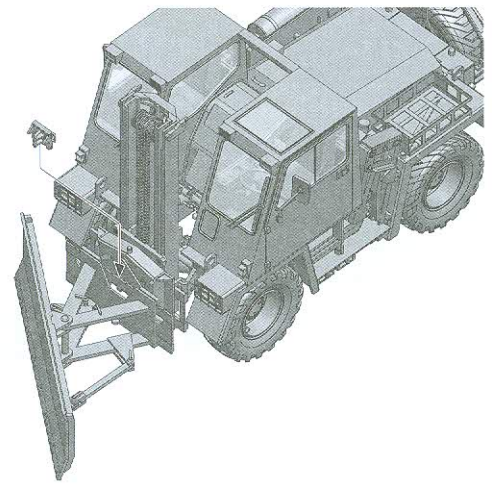
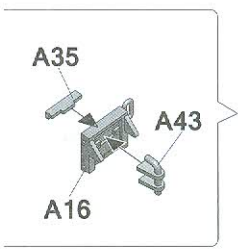
46



48



47



SpPz 2 Luchs A1/A2 7 IN 1



- A DETAILED STATIC DISPLAY PLASTIC MODEL
- ONE LIMITED BY THE FACTS AS REPRESENTED EXACTLY
- A ALL WHEELS CAN BE SETTING IN DIFFERENT ANGLES FOR THE REAL VEHICLE
- A ALL WHEELS CAN BE SETTING IN DIFFERENT ANGLES FOR THE REAL VEHICLE
- A THIRD THIRD PARTS AND OPTIONAL PARTS FOR A1 AND A2 VERSION
- A 10 CLEAR PARTS INCLUDED
- A 4 TYPES OF MARKINGS



1/35
NO.2017

T3 TRANSPORTER BUS



- A DETAILED STATIC DISPLAY PLASTIC MODEL
- A ALL THE WHEELS ARE MOUNTED
- A A 1/35 FIGURE INCLUDED
- A FRONT WHEEL CAN BE SETTING FREE
- A 10 CLEAR PARTS INCLUDED
- A ALL THE BODY CAN BE OPENED

1/35
NO.2013

BUNDESWEHR

T3 TRANSPORTER TRUCKS



DOUBLE CAB
A READY TO ASSEMBLE TRANSPORTER TRUCK KIT



- A DETAILED STATIC DISPLAY PLASTIC MODEL
- A ALL WHEELS ARE MOUNTED
- A FRONT WHEEL CAN BE SETTING FREE
- A ALL THE BODY CAN BE OPENED
- A 10 CLEAR PARTS INCLUDED

1/35
NO.2014

MAIN BATTLE TANK

LEOPARD 1 A5/C2 2in1

EXACTLY THE SAME PROPORTIONS OF
THE REAL TANK

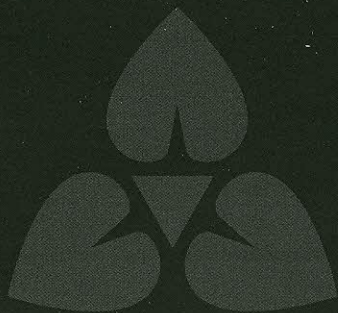


- A DETAILED STATIC DISPLAY PLASTIC MODEL
- A ALL THE WHEELS & SUSPENSION ARE MOUNTED
- A ALL THE WHEELS & SUSPENSION ARE MOUNTED
- A ALL THE WHEELS & SUSPENSION ARE MOUNTED
- A 10 CLEAR PARTS INCLUDED
- A 4 TYPES OF MARKINGS
- A 10 CLEAR PARTS INCLUDED



1/35
NO.2004

2015/2021

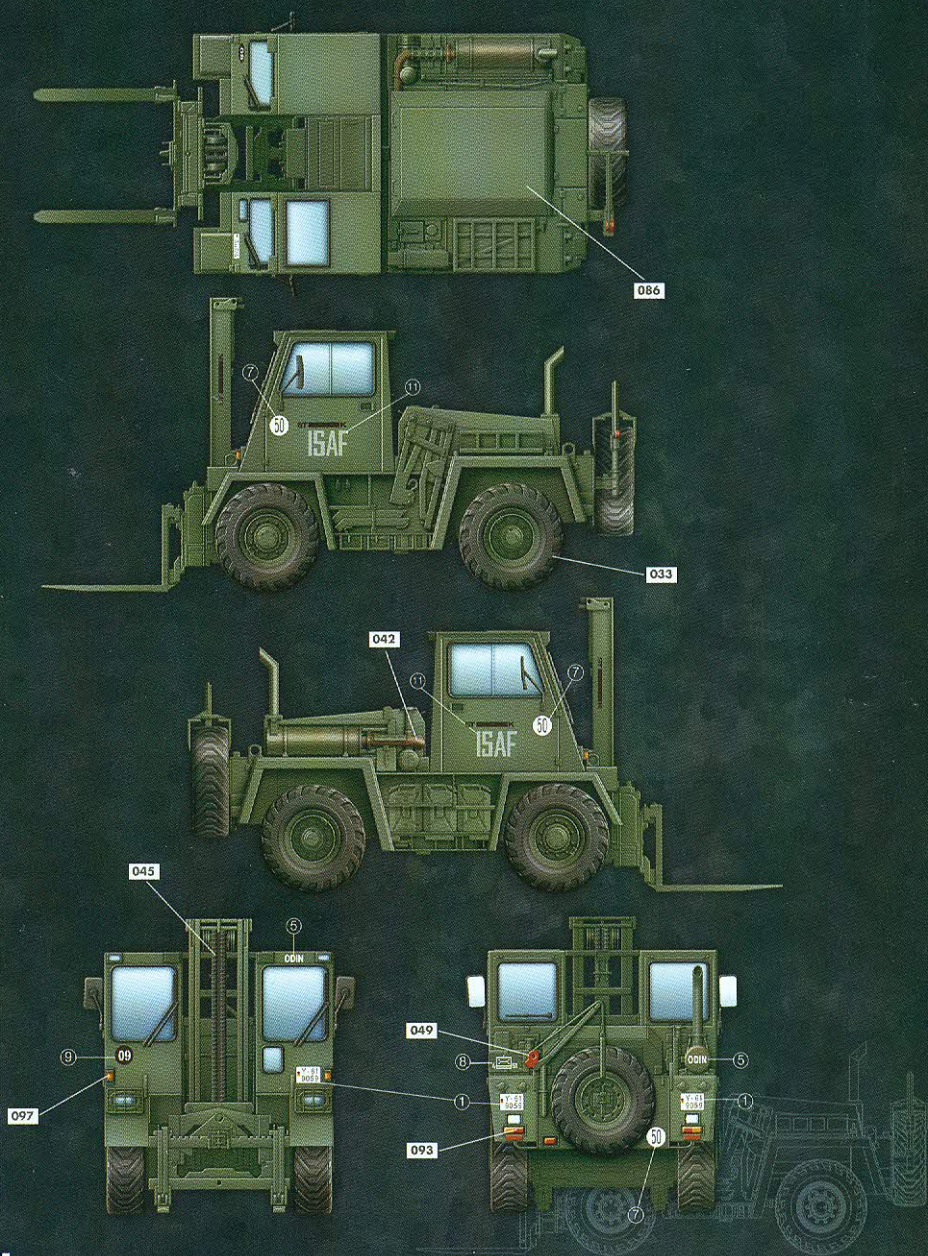


FUG 2,5t

Bundeswehr Feldumschlaggerät

Painting and Marking Guide

A.MIG 042	Old Rust	A.MIG 097	Crystal Orange	A.MIG 093	Crystal Red	A.MIG 049	Red
A.MIG 033	Rubber & Tires	A.MIG 086	RAL 6014 Gelb Oliv	A.MIG 045	Gun Metal		



FUG 2,5t

Bundeswehr Feldumschlaggerät

Painting and Marking Guide

A.MIG 042

Old Rust

A.MIG 097

Crystal Orange

A.MIG 093

Crystal Red

A.MIG 049

Red

A.MIG 033

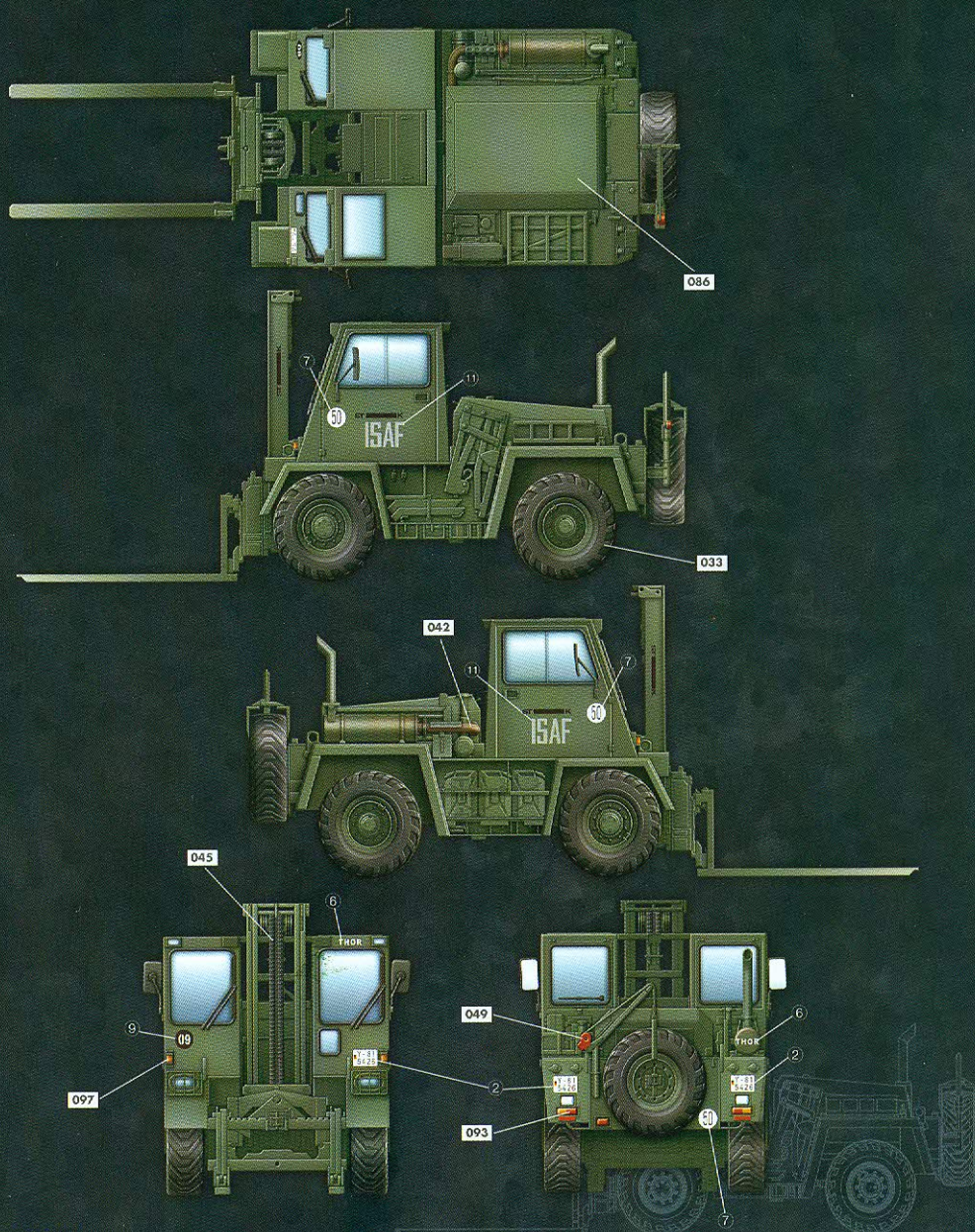
Rubber & Tires

A.MIG 086

RAL 6014 Gelb Oliv

A.MIG 045

Gun Metal



FUG 2,5Y4

Bundeswehr Feldumschlaggerät

Painting and Marking Guide

A.MIG 042

Old Rust

A.MIG 097

Crystal Orange

A.MIG 093

Crystal Red

A.MIG 085

NATO Brown

A.MIG 049

Red

A.MIG 033

Rubber & Tires

A.MIG 046

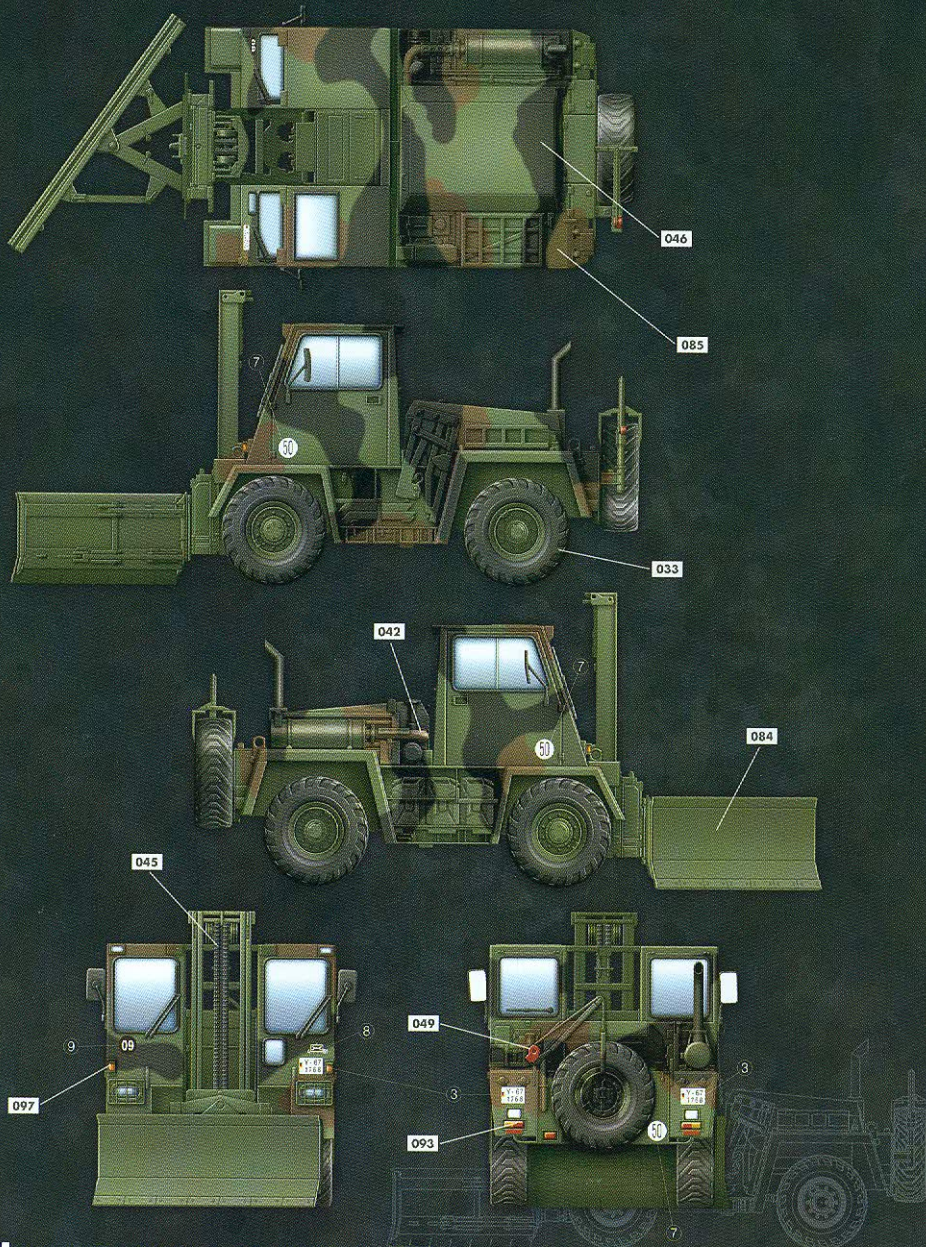
Matt Black

A.MIG 045

Gun Metal

A.MIG 084

NATO Green



FUG 2,5Y4

Bundeswehr Feldumschlaggerät

Painting and Marking Guide

A.MIG 042

Old Rust

A.MIG 097

Crystal Orange

A.MIG 093

Crystal Red

A.MIG 049

Red

A.MIG 033

Rubber & Tires

A.MIG 047

White

A.MIG 045

Gun Metal

