

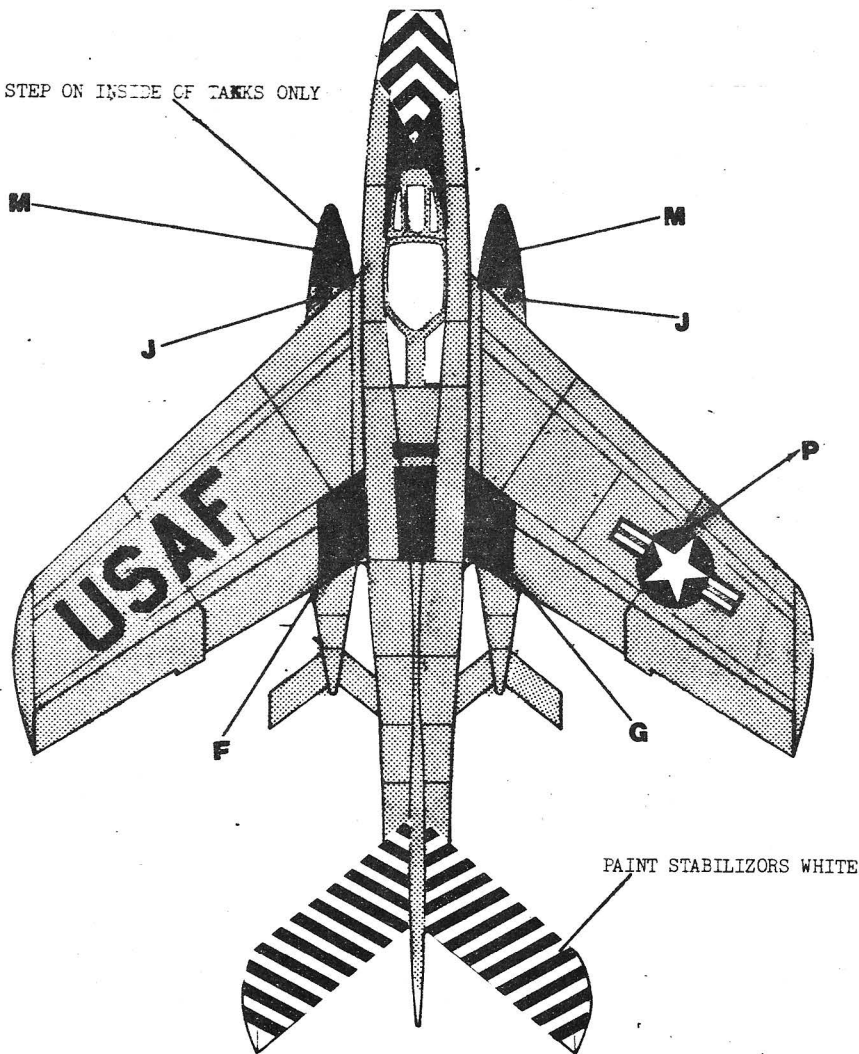
FOWLER AVIATION



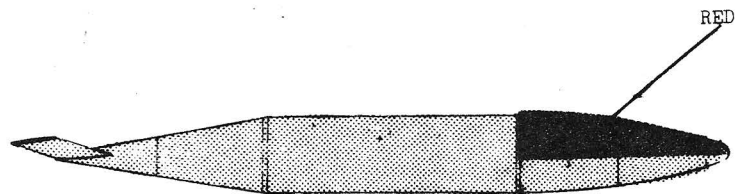
P.O. BOX 148
SUNNYMEAD
CA. 92388

48 SCALE
FD48 05

NO STEP ON INSIDE OF TANKS ONLY



PAINT STABILIZERS WHITE



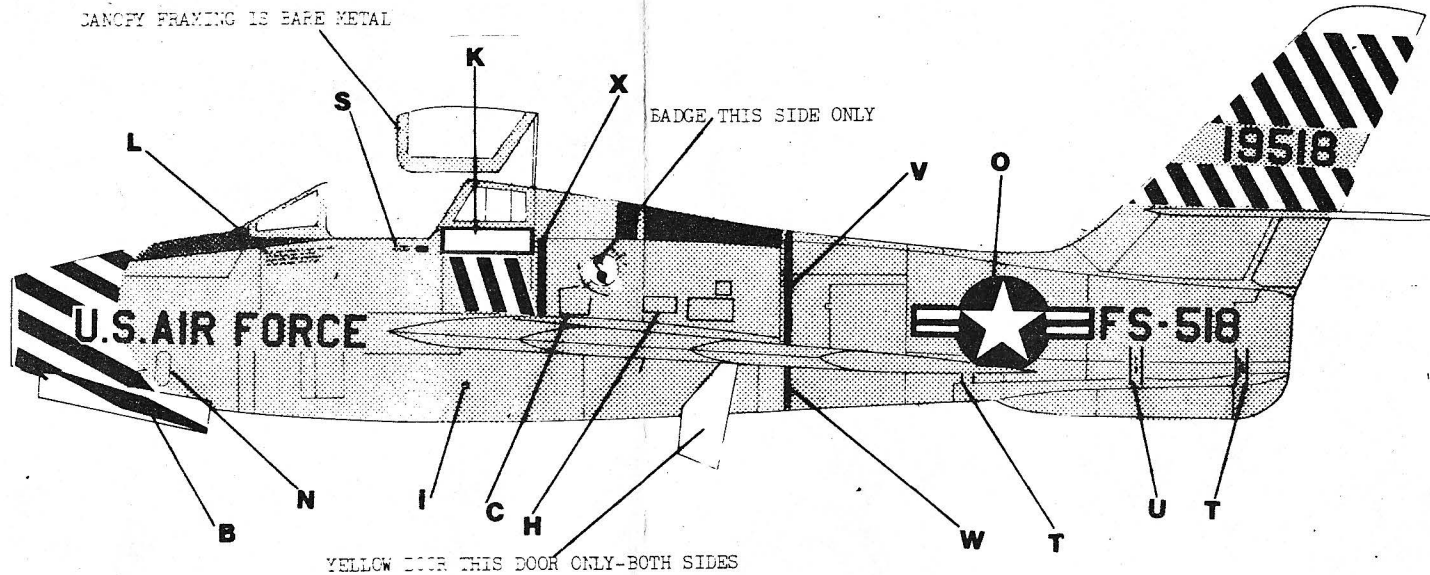
RED

RECOMMENDED KIT: HELLER F-84F

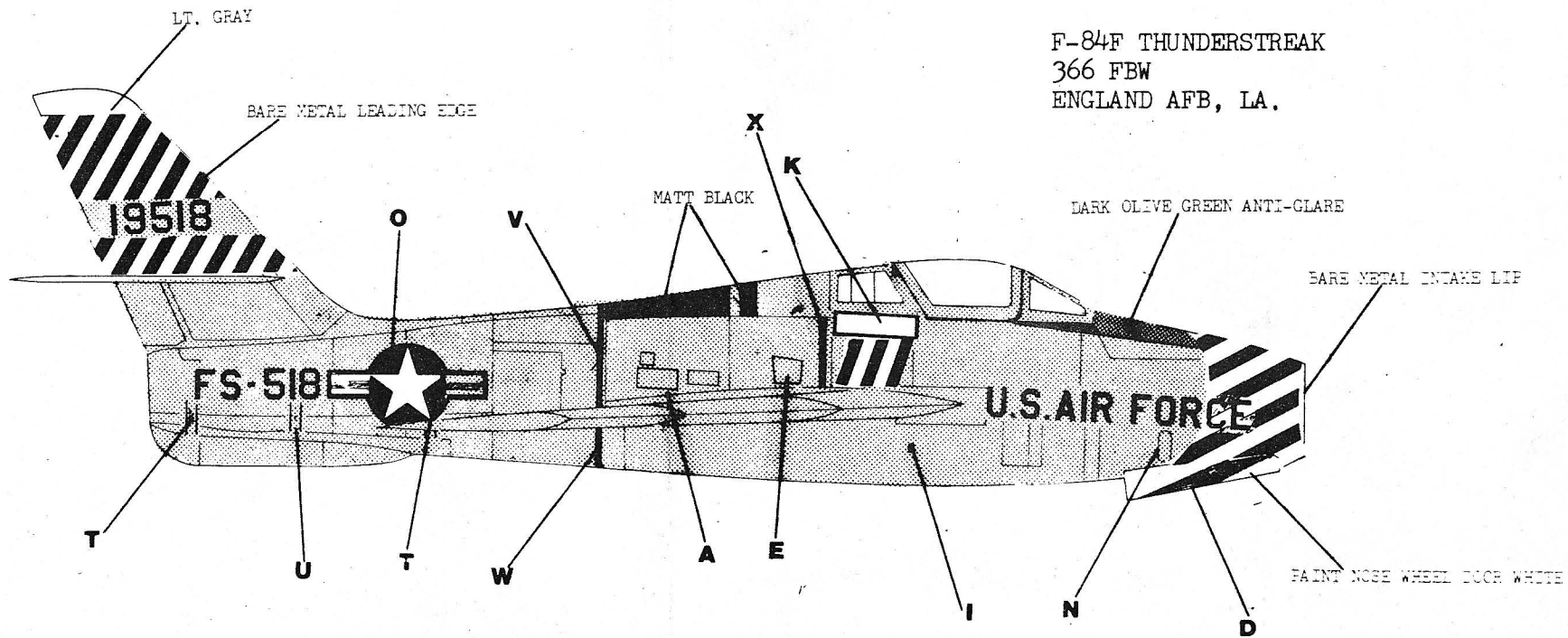
WE WISH TO THANK JAMES HARPER
AND DAVID MENARD FOR THEIR ASSISTANCE.

GENERAL NOTES: This F-84 at the time the picture was taken had just been painted and shows off a very clean and bright appearance. There is no name in the crew block under the canopy. The badge on the left side of the aircraft is very unusual and is assumed to be a personal marking. Of further interest on this aircraft is that the sidewalls of the tires are painted white. This is the only aircraft in the squadron which appears to have its tires painted. Interior of cockpit is Gray with Black instrument panel, side panels and electrical panels. Seats are Gray frame with black ejection rails, olive green cushions and red head rest. Interior of wheel wells is green chromate primer. Interior of gear doors is silver paint. Inside of intake is aluminium. Letters on instruction sheet reference letters on decal for placement.

BARE METAL FINISH ON AIRCRAFT OVERALL



YELLOW DOOR THIS DOOR ONLY-BOTH SIDES



F-84F THUNDERSTREAK
366 FBW
ENGLAND AFB, LA.