



1/35 SCALE  
5072  
Military Miniature Series

# Pz.Kpfw.III Ausf.J

ドイツPz.Kpfw.III Ausf.J **WITH FULL INTERIOR KIT**  
德国3号J型坦克

## ASSEMBLY ICONS



OPTIONAL  
选择



CEMENT  
膠水



DO NOT CEMENT  
不使用膠水



INSTANT CEMENT  
瞬間接著劑



BEND  
彎折



MAKE 2  
製作2組



OPEN HOLE  
鑽孔



REMOVE  
切除



BE CAREFUL  
注意



APPLY DECAL  
貼上水貼紙

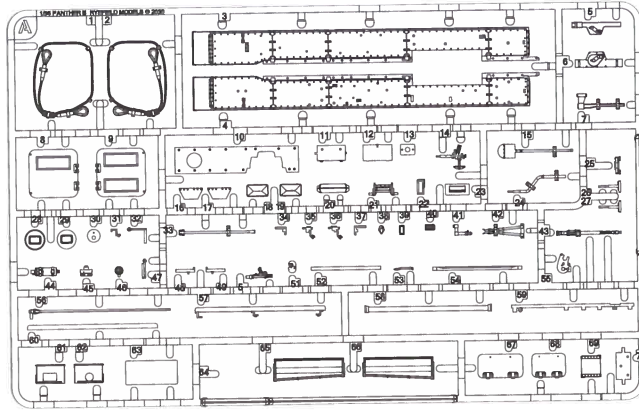
## CAUTION!

Read carefully and fully understand the instructions before commencing assembly. Supervising adult should also read the instructions if a child assembles the model. When you used glue or paint, do not use near a naked flame, and use in a well-ventilated room. When assembling this kit, tools including knives are used. Extra care should be taken to avoid personal injury. Read and follow the instructions supplied with paints and/ or cement. Use plastic cement and paints only. Keep out of reach of small children. Children must not be allowed to suck any part, or pull vinyl bag over the head.

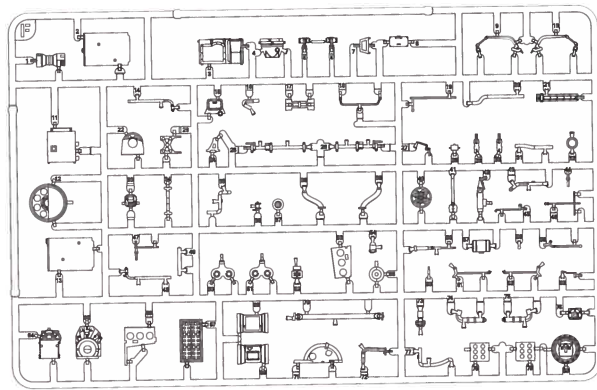
在裝配前仔細閱讀說明並完全理解。小孩裝配時需成人看護且需仔細閱讀說明。使用膠水和油漆時，應遠離火源並打開窗戶保持空氣流通。製作時請格外注意工具刀和零件的鋒利尖銳部分，避免對身體造成傷害。在使用膠水和油漆前仔細閱讀注意事項，按照說明正確使用膠水和油漆。請將本品放在兒童接觸不到的地方，套件中的塑膠包裝袋會對兒童造成窒息的危險。

PARTS 部品图

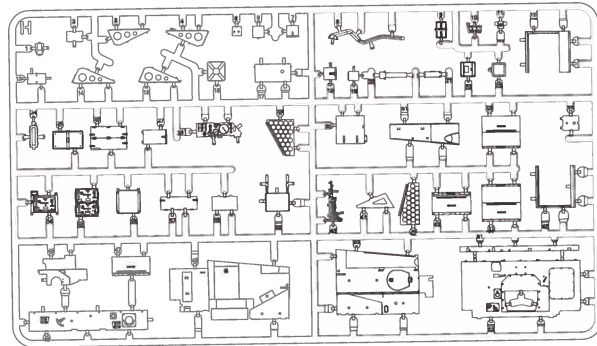
A x1



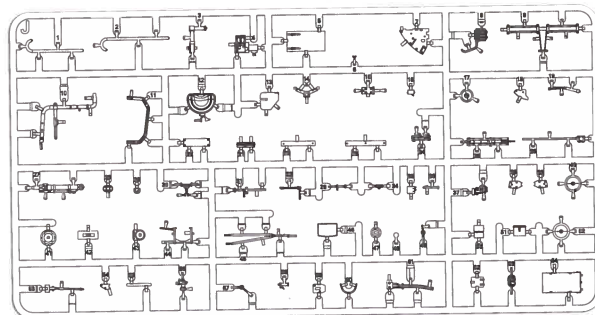
F x1



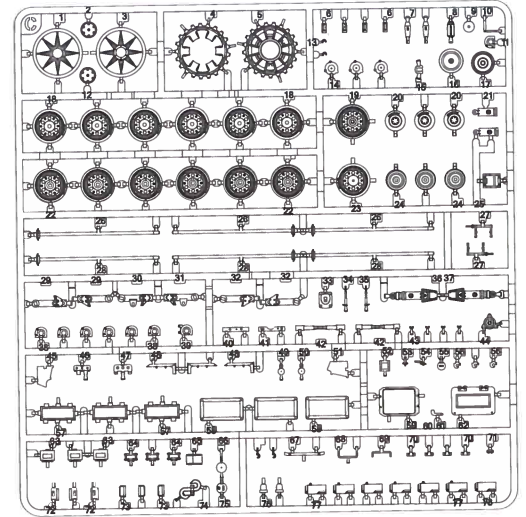
H x1



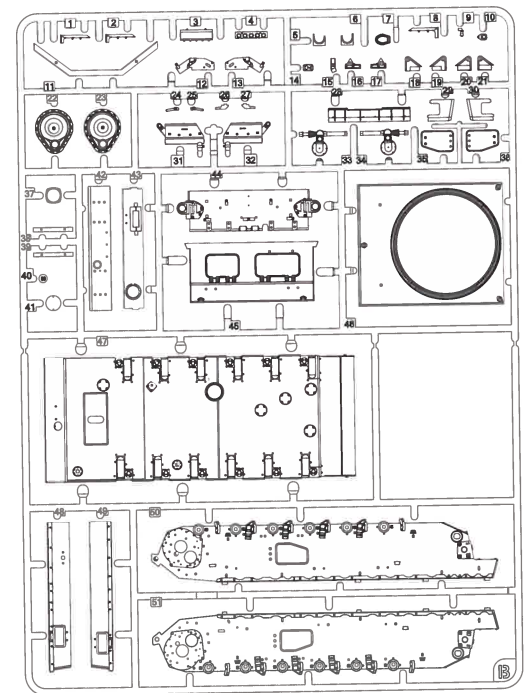
J x1



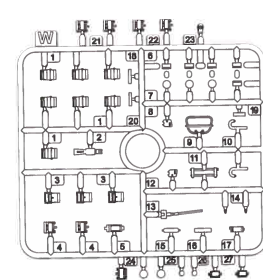
C x2



B x1

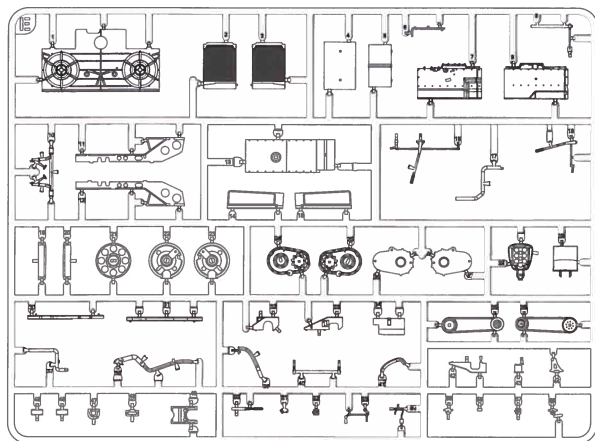


W x1

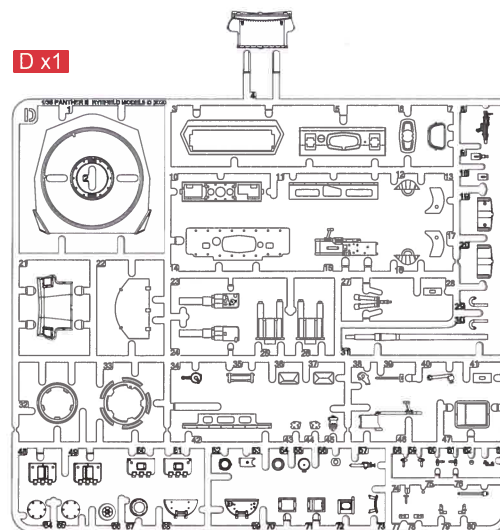


PARTS 部品图

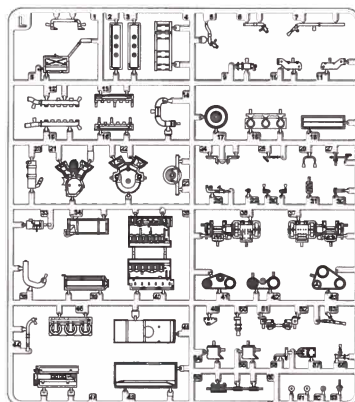
E x 1



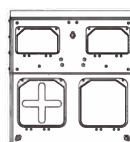
D x 1



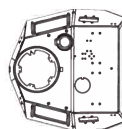
L x 1



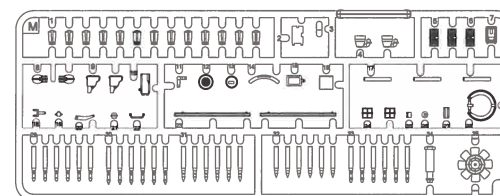
Lower Hull x 1



Lower Hull x 1



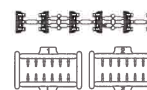
M x 2



Poly Cap



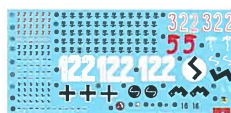
Tracks x 2 16



Spring



Decal



Y x 1

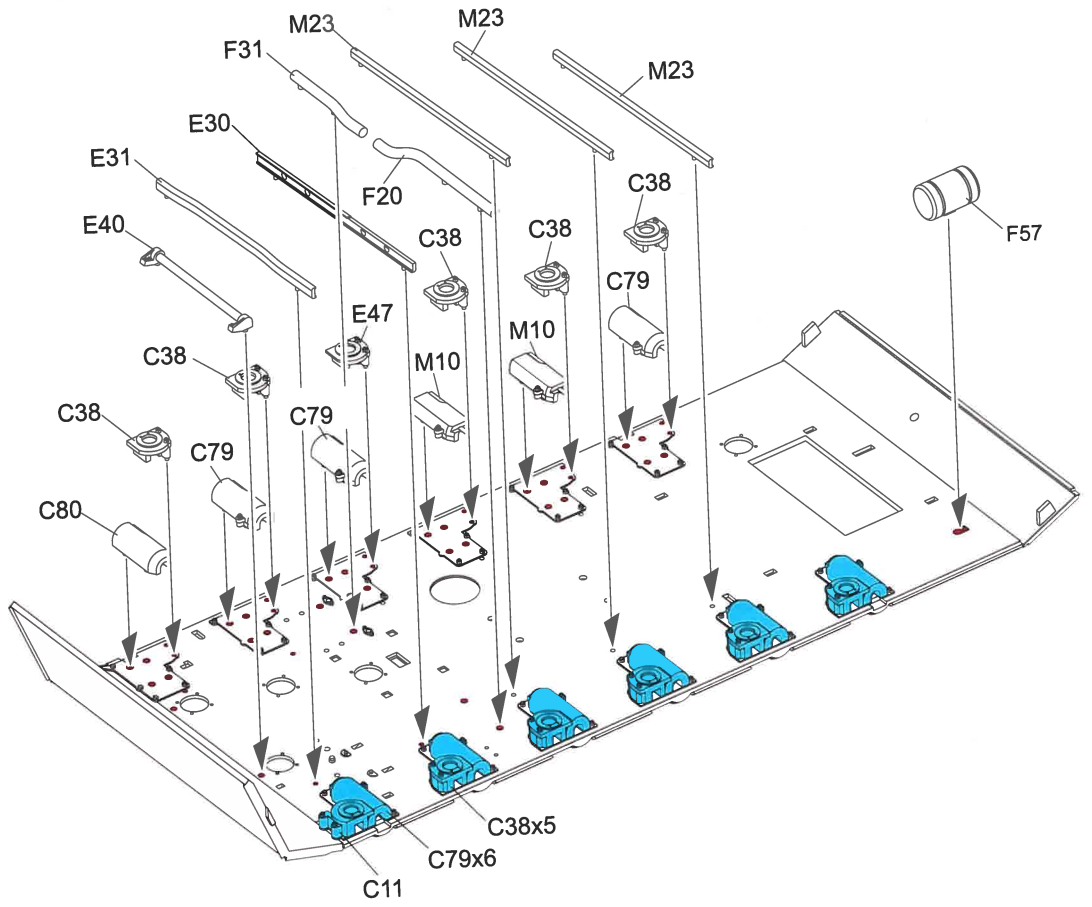


Z x 1

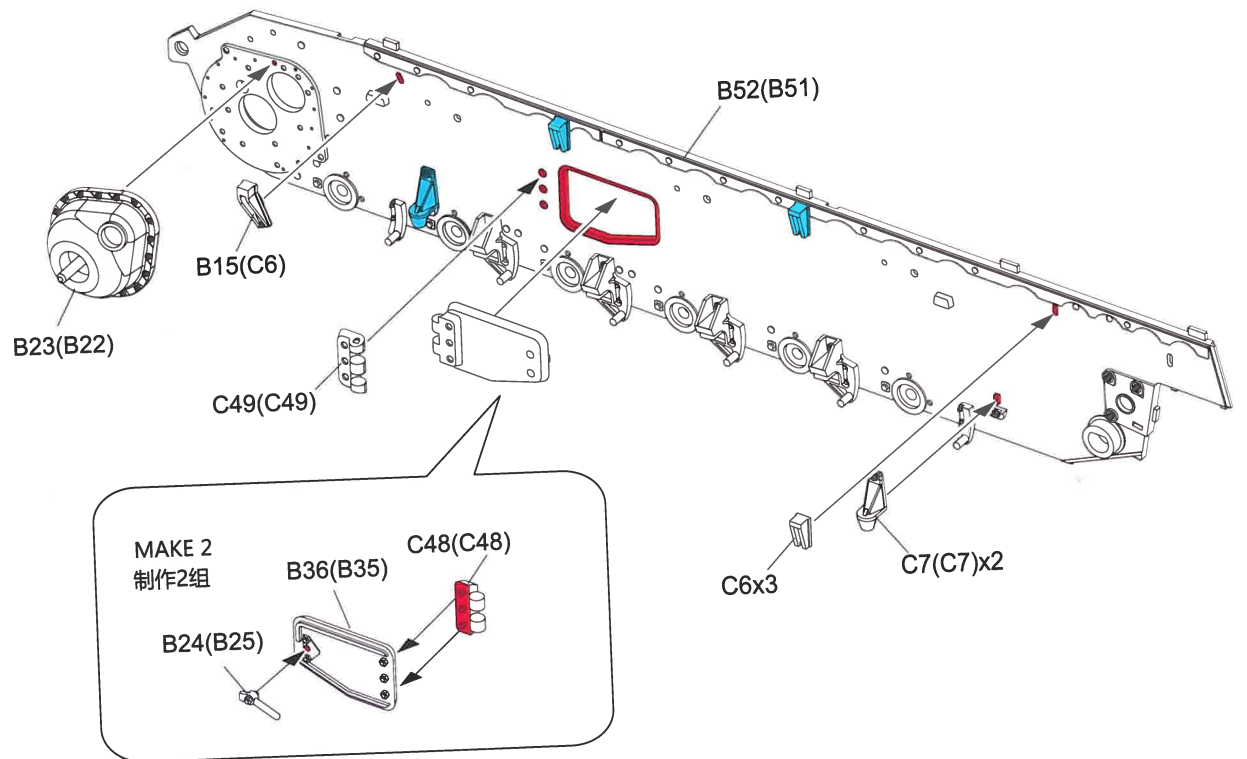




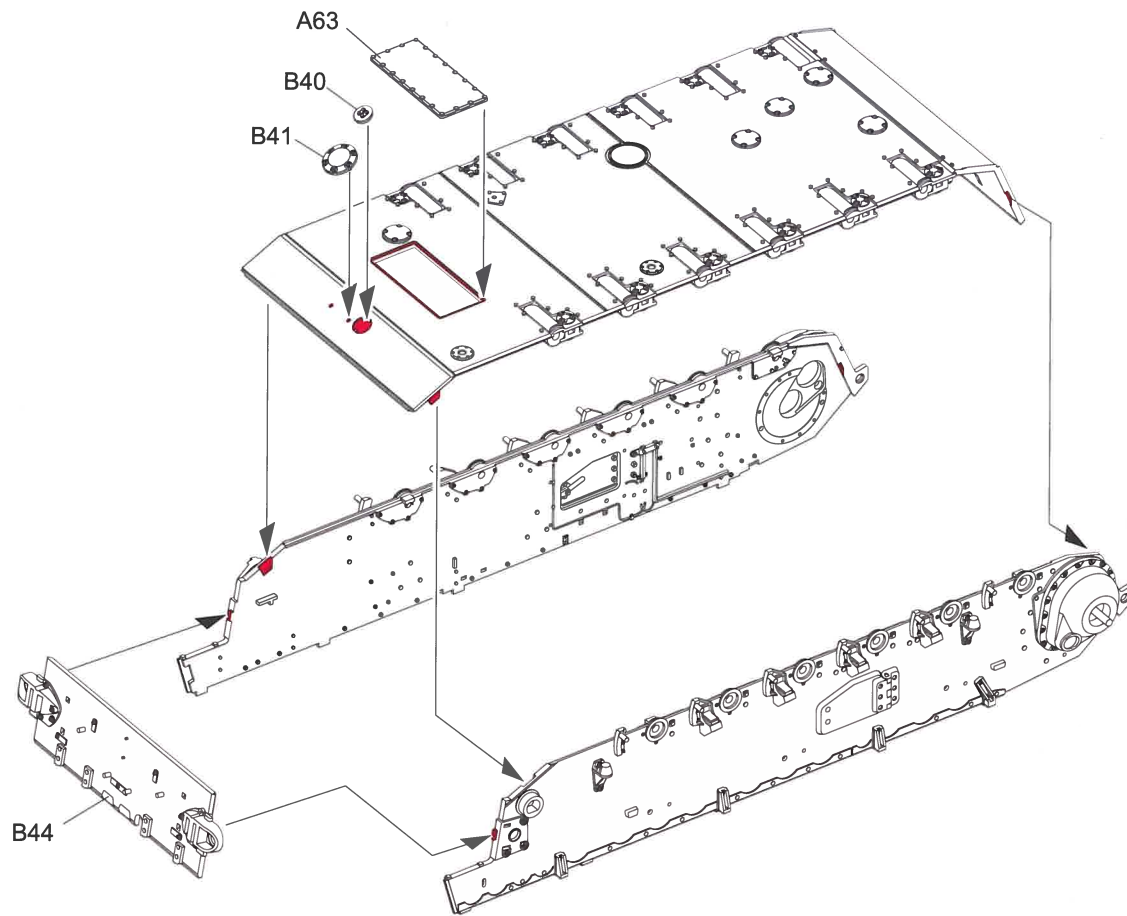
1



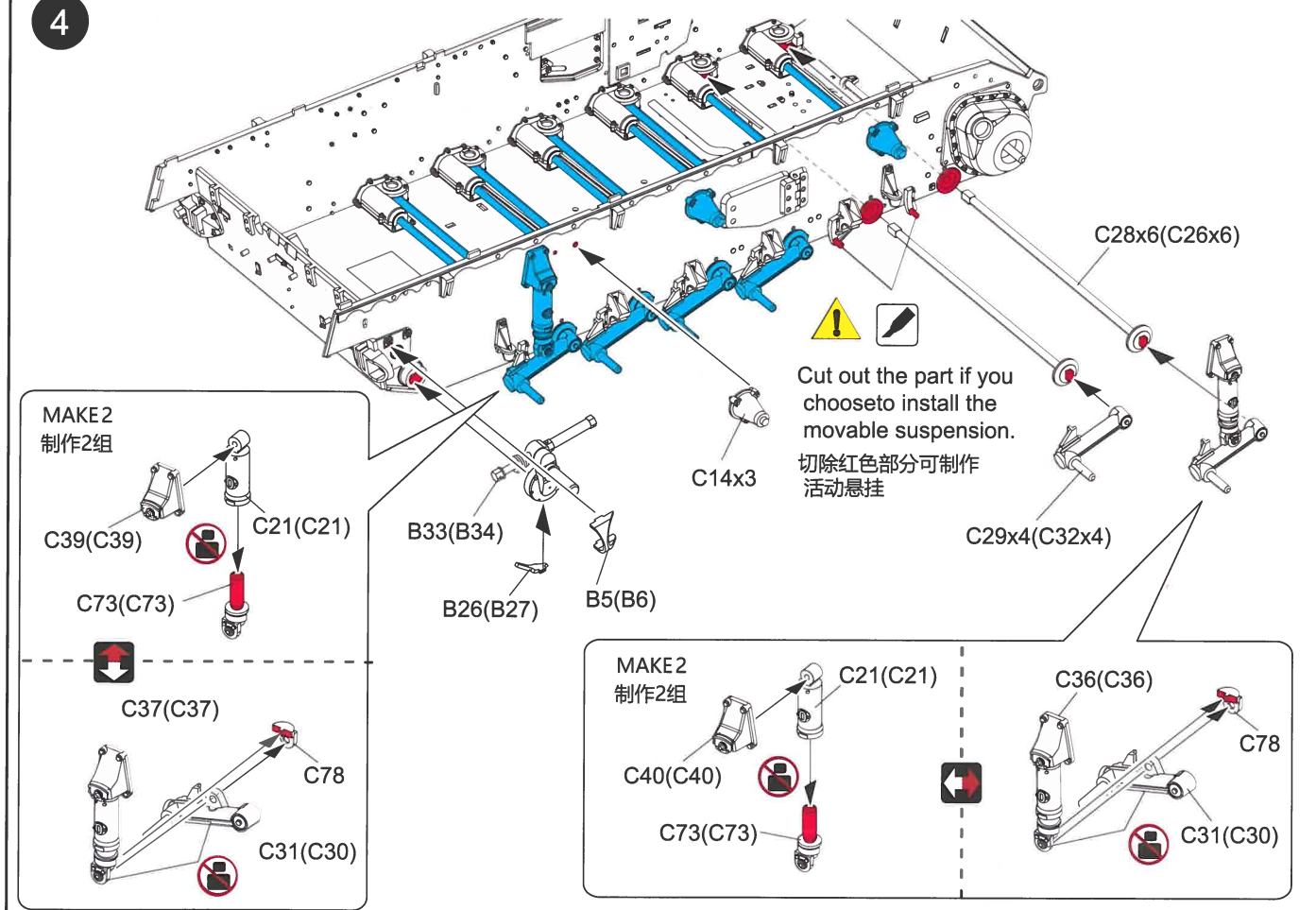
2 MAKE 2  
制作2组

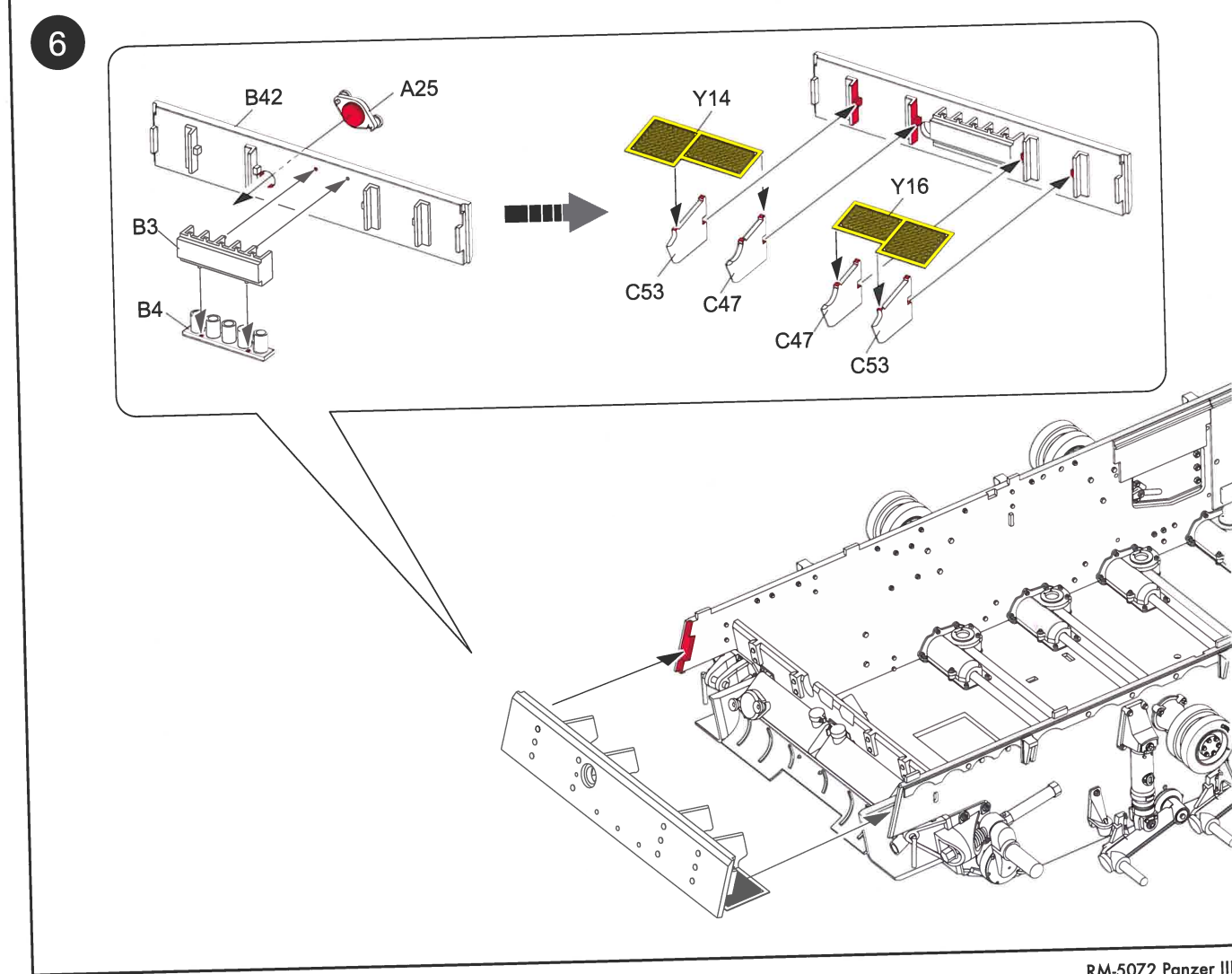
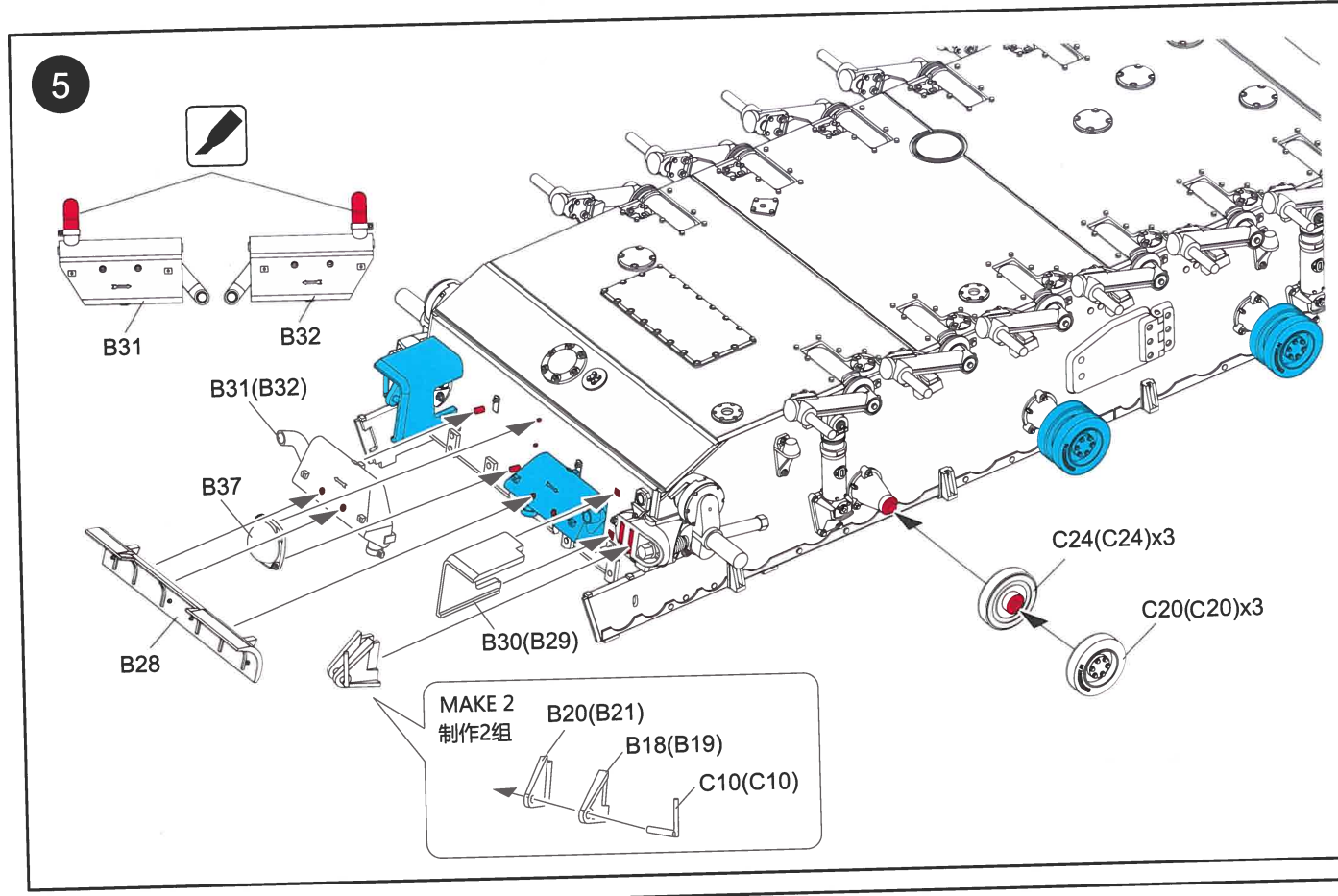


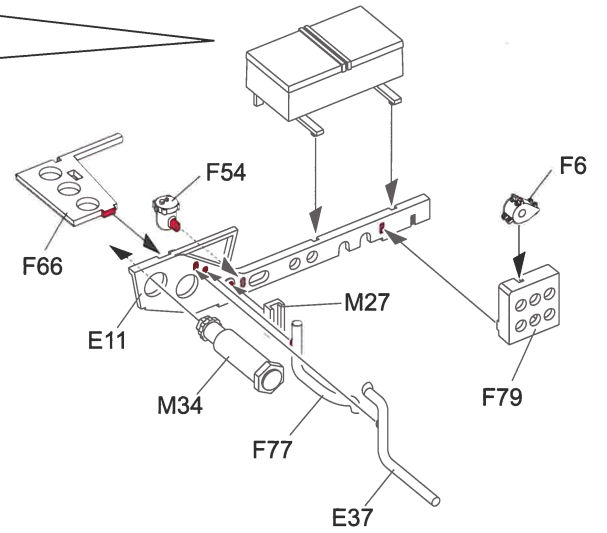
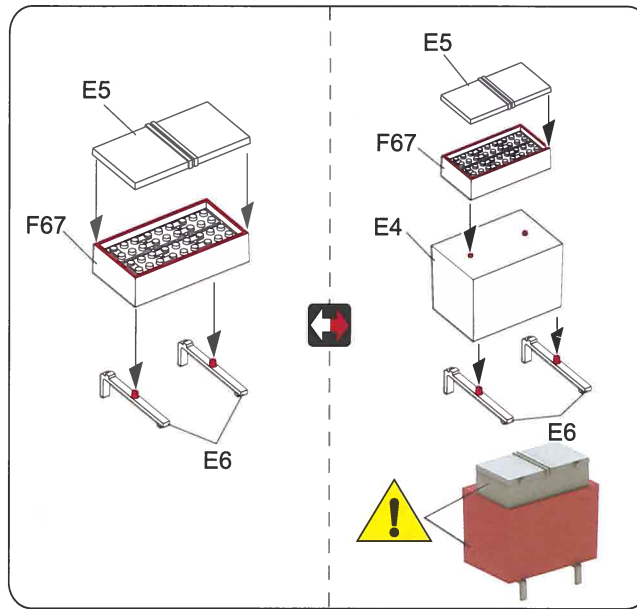
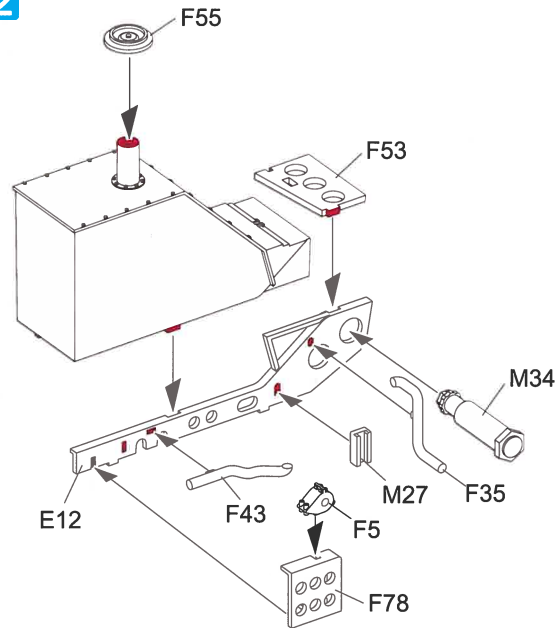
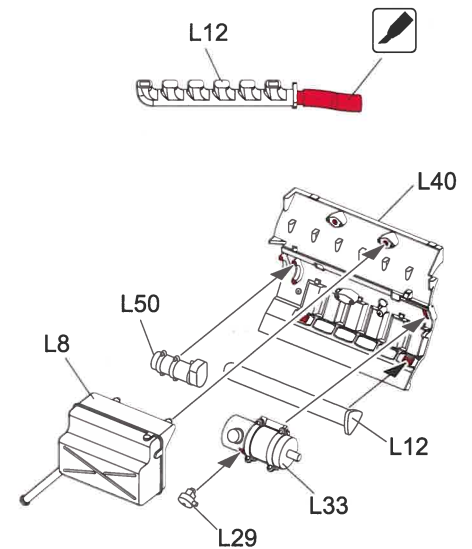
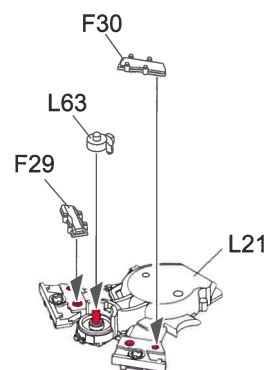
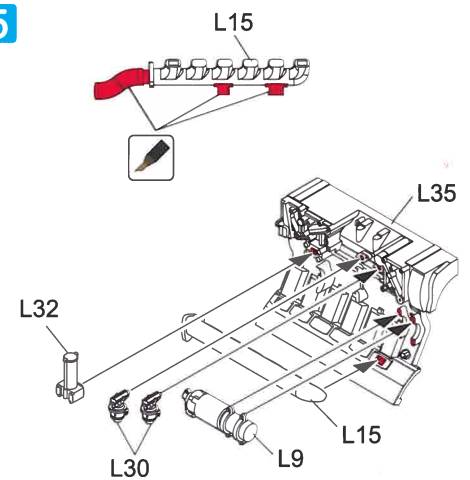
3



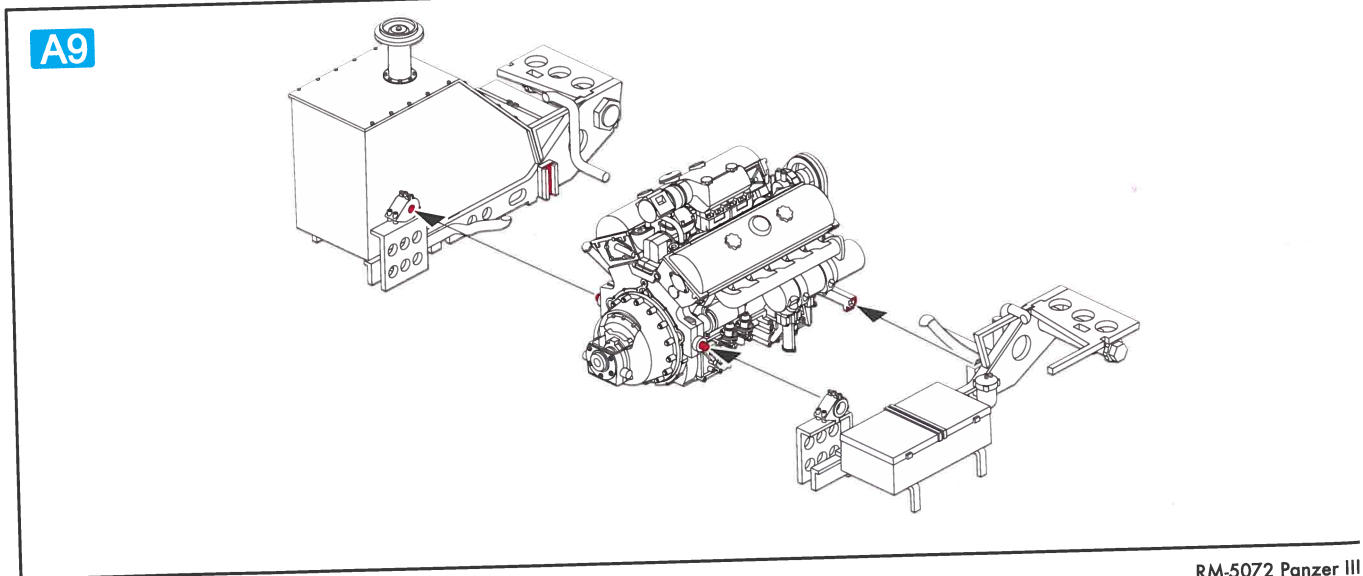
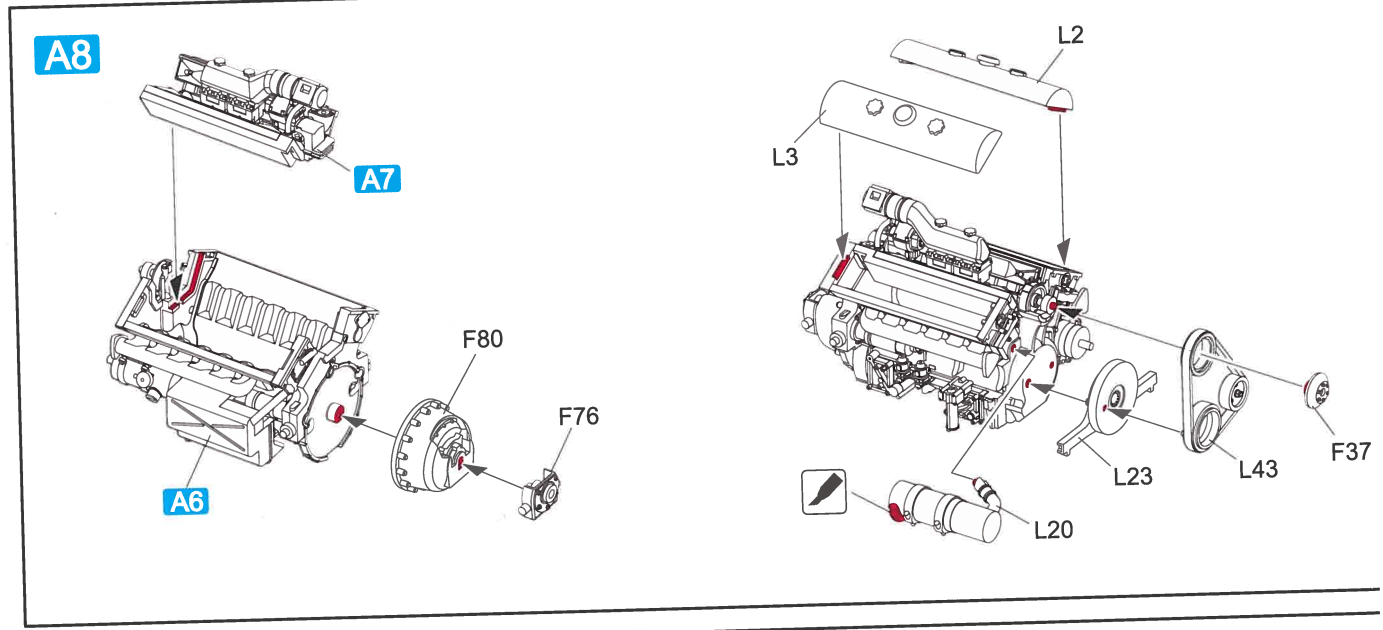
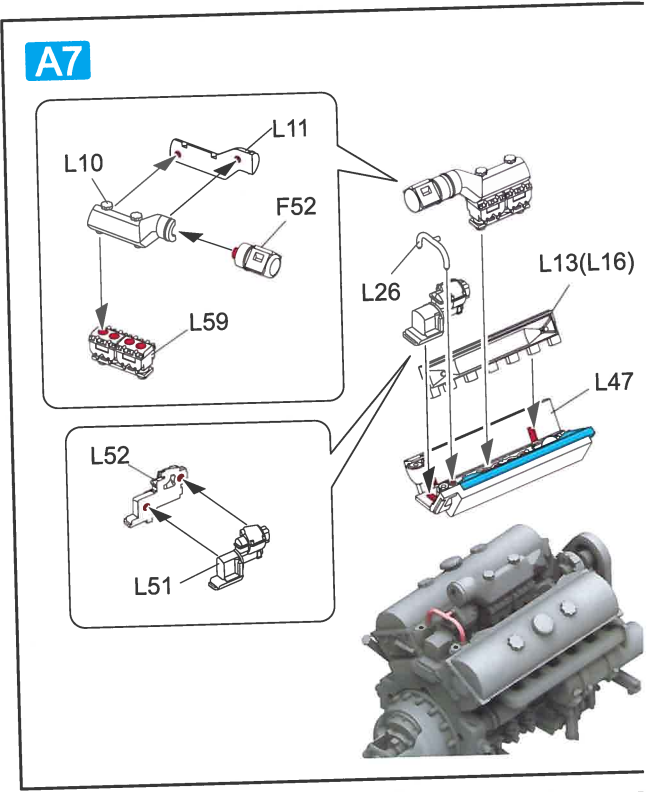
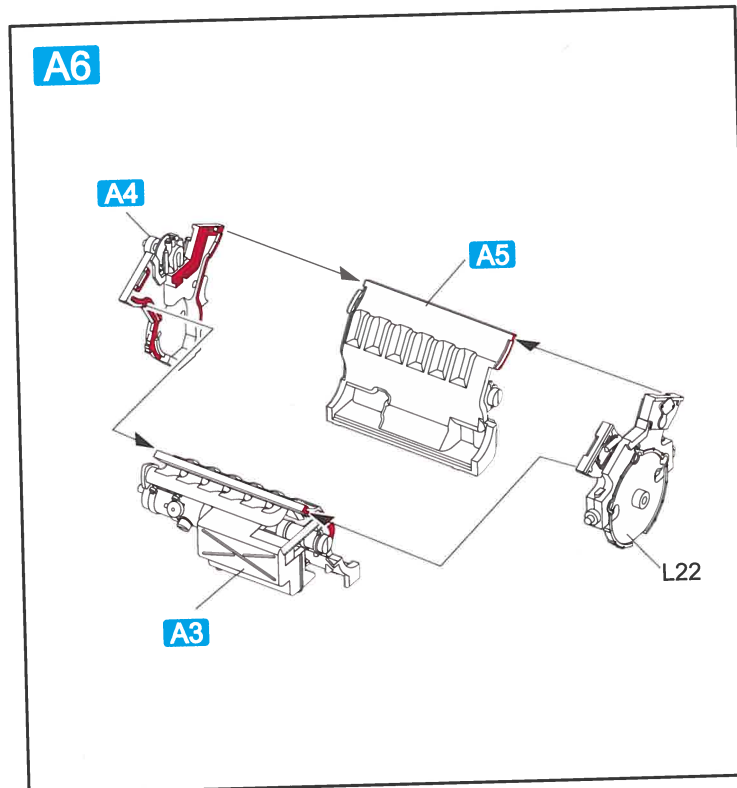
4





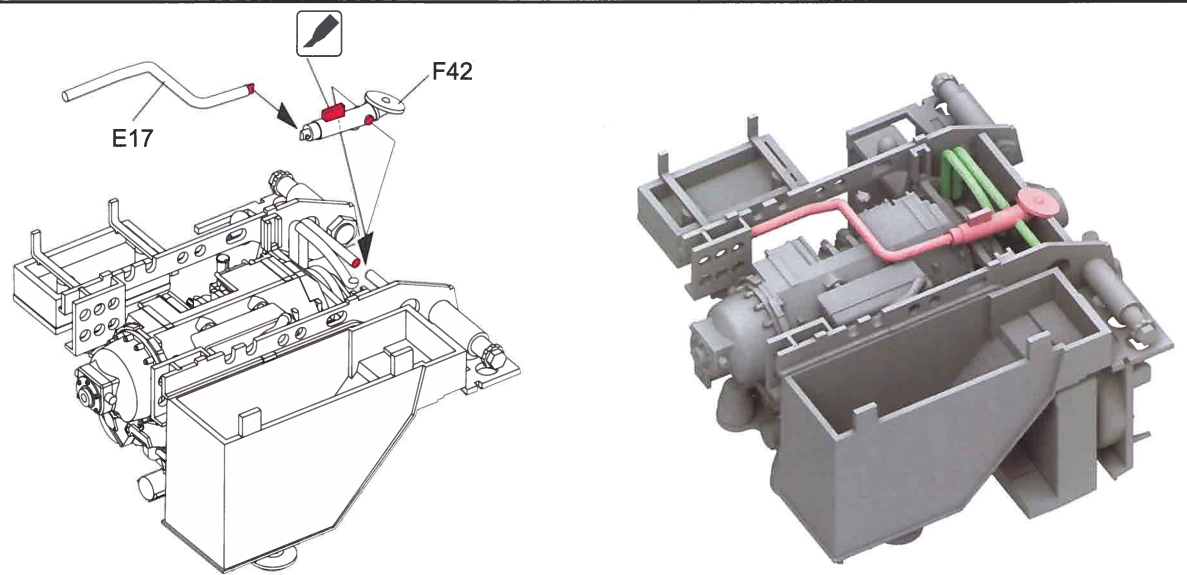
**A1****A2****A3****A4****A5**



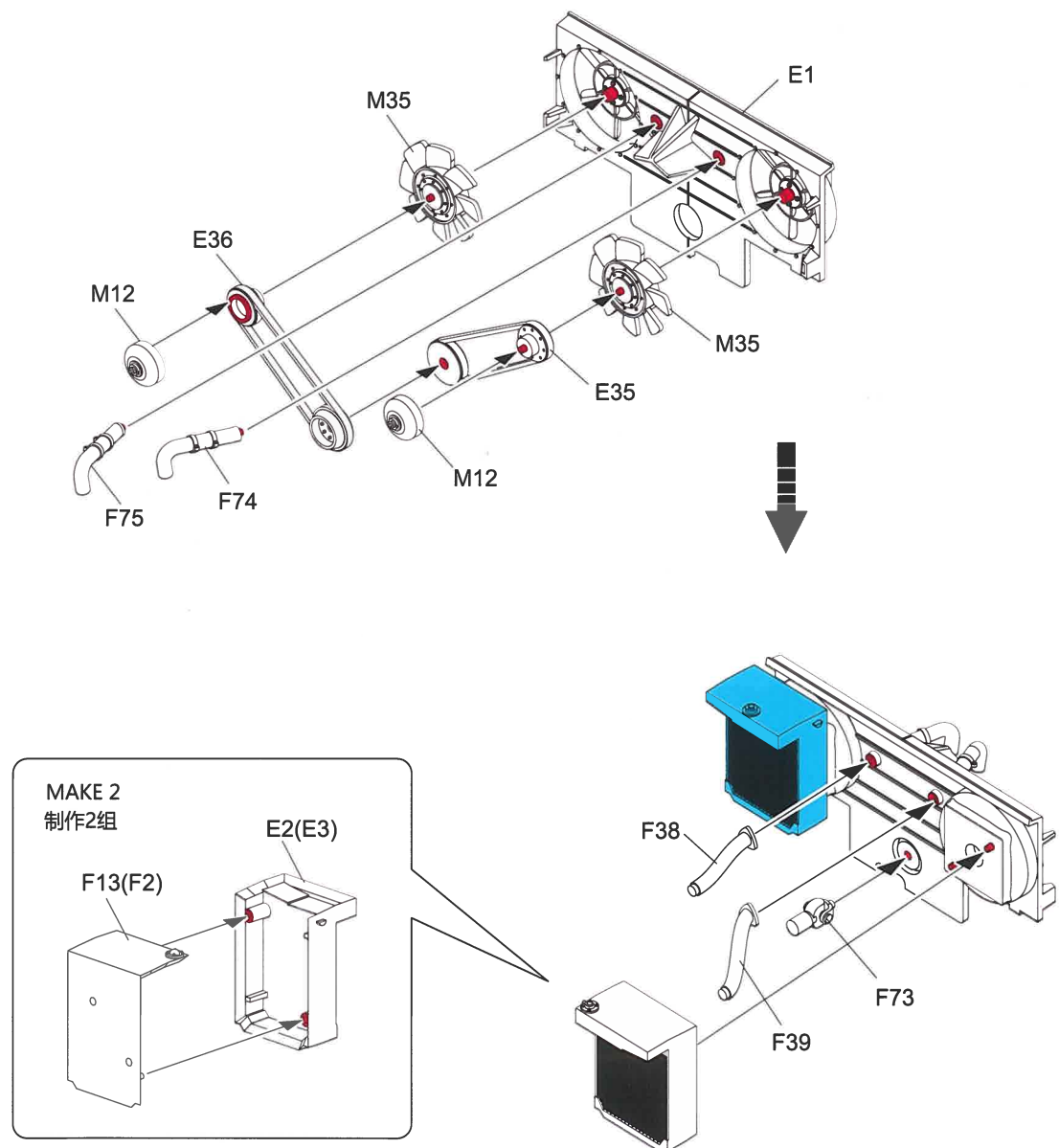




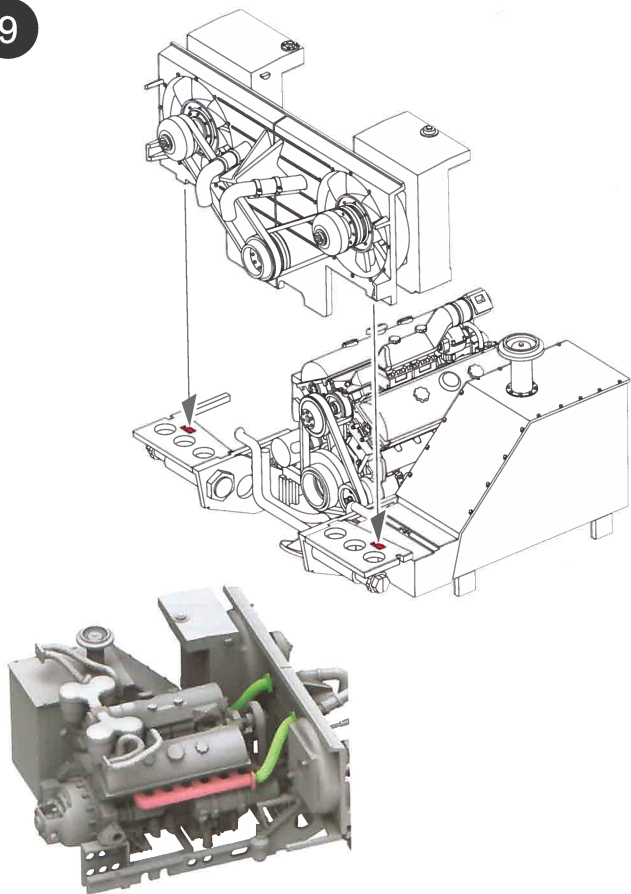
7



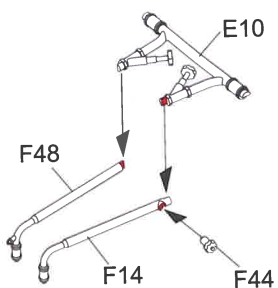
8



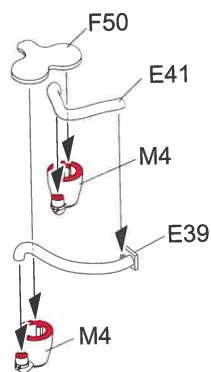
9



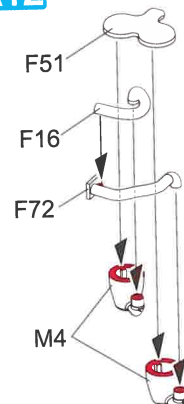
A10



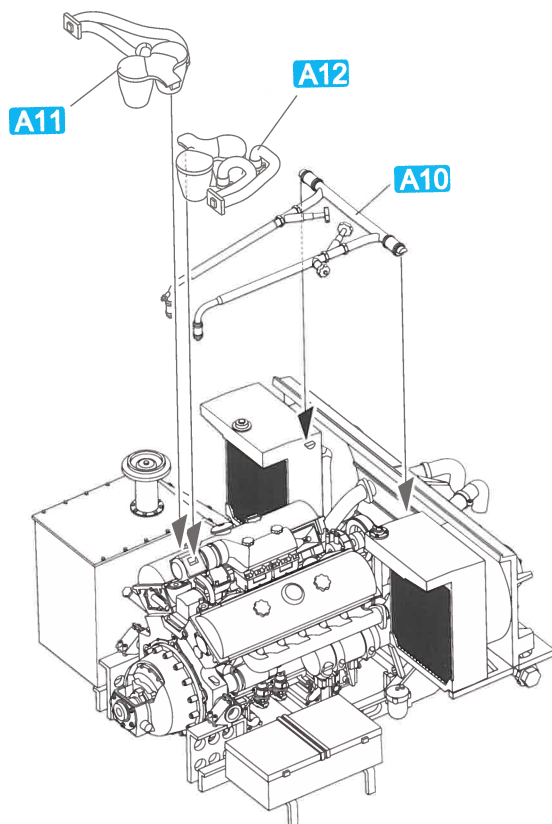
A11



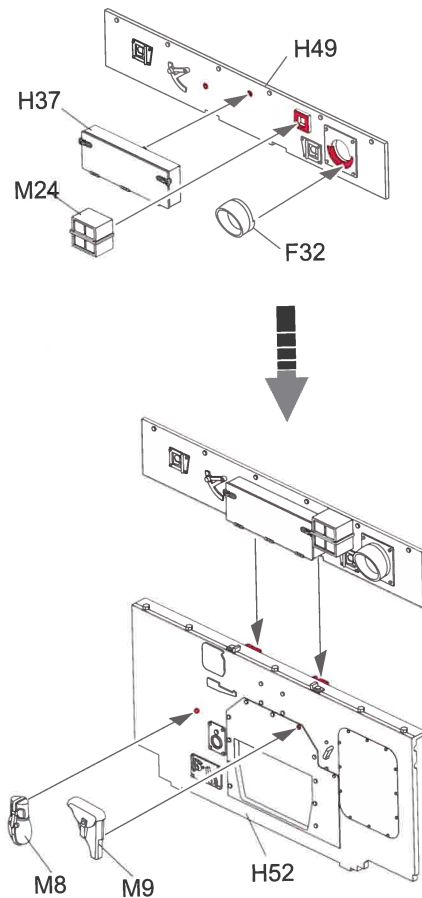
A12

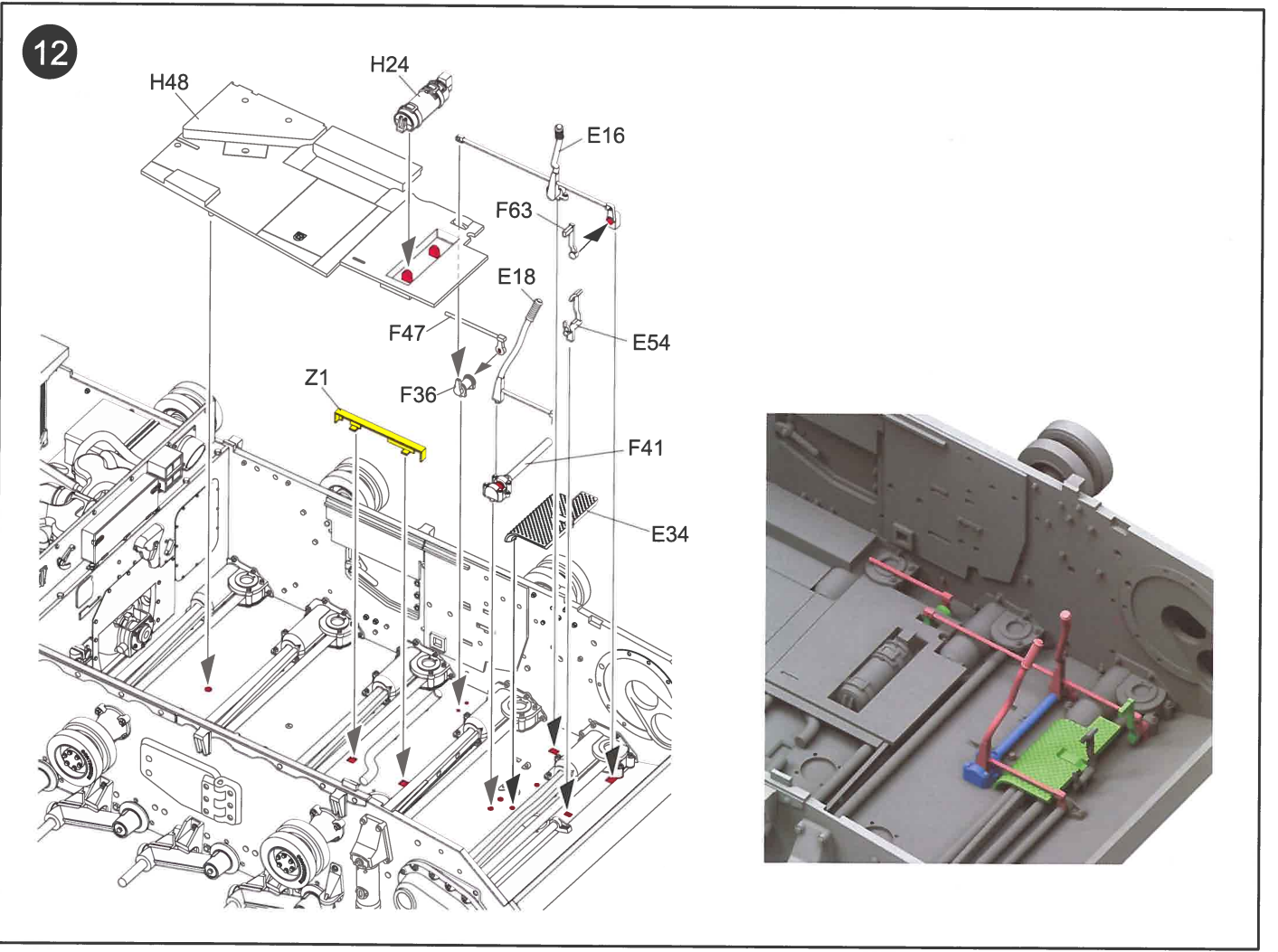
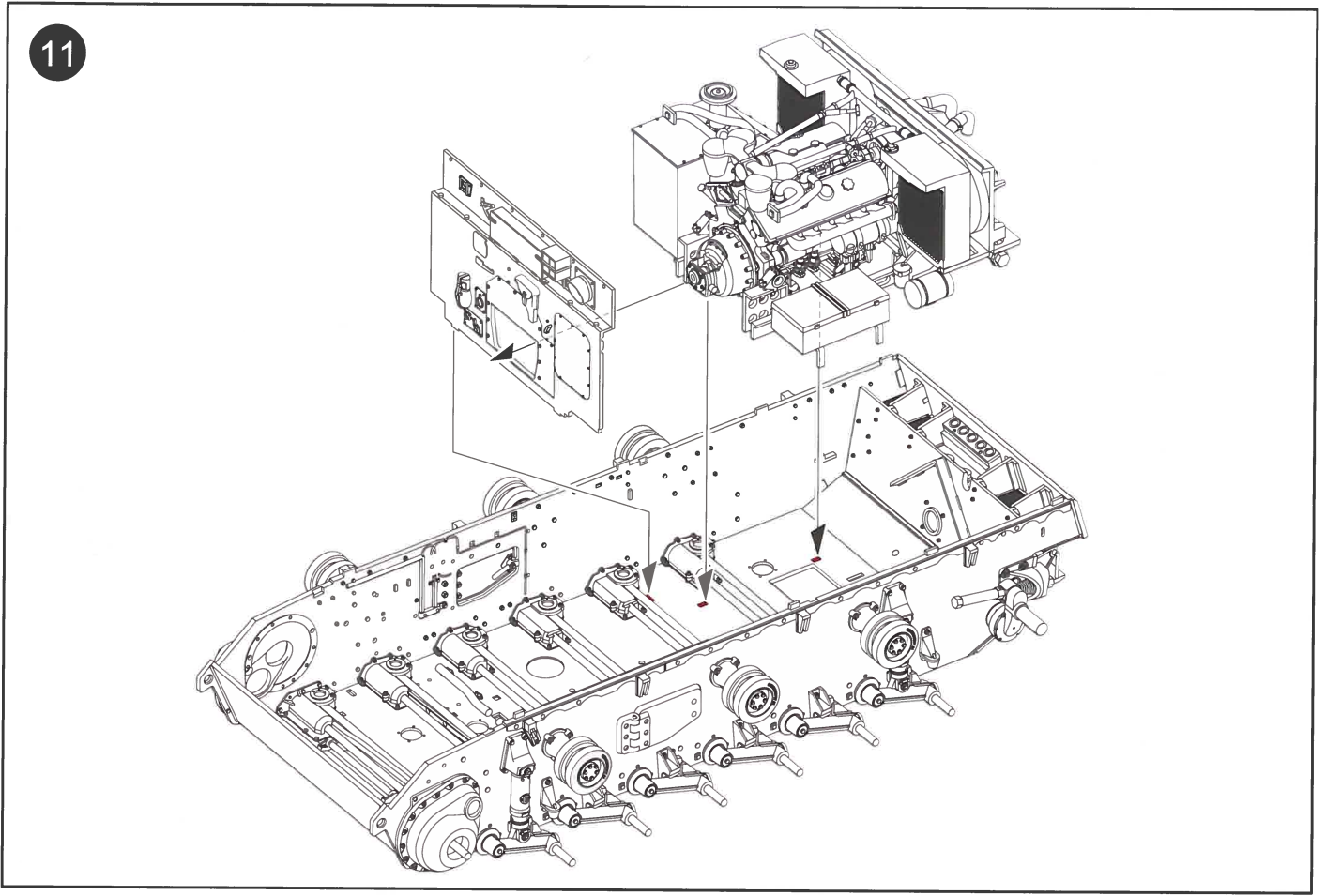


10



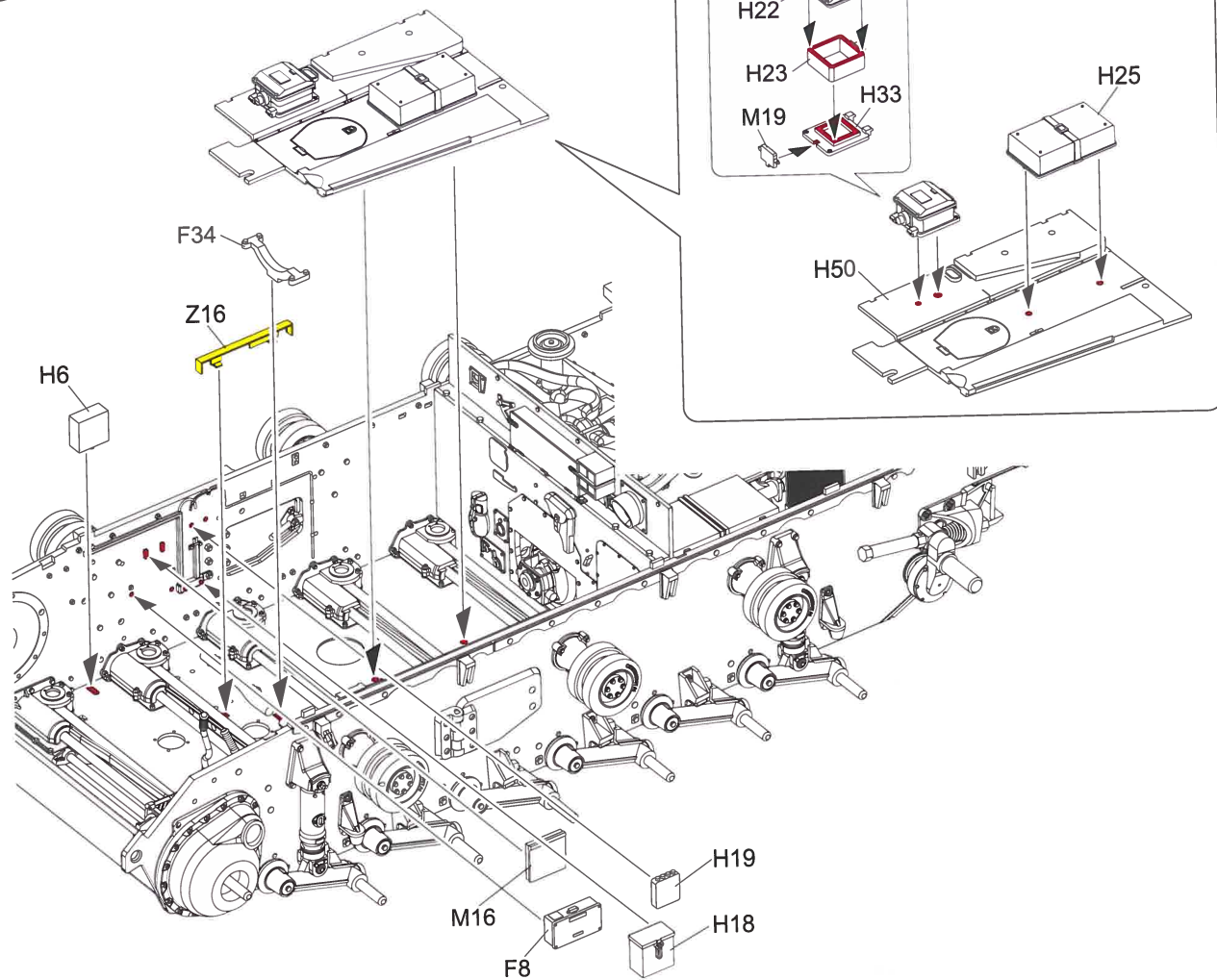
A13



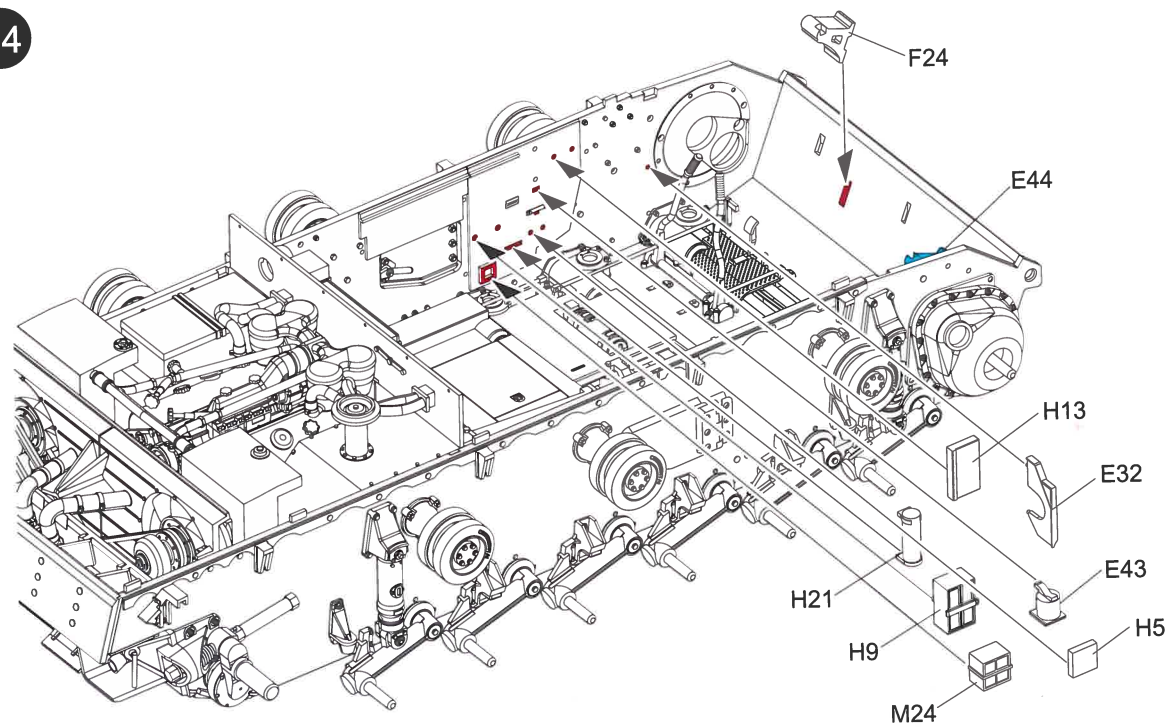




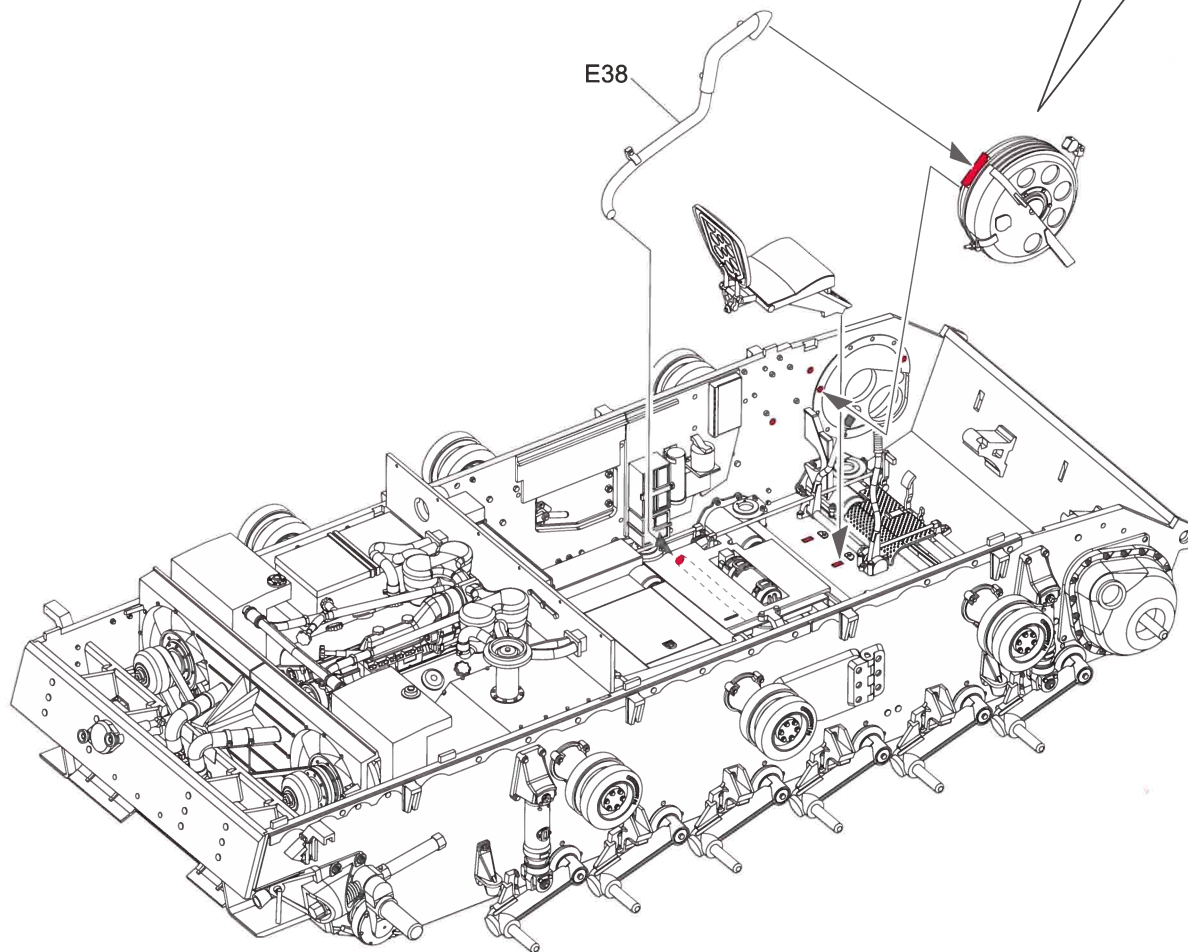
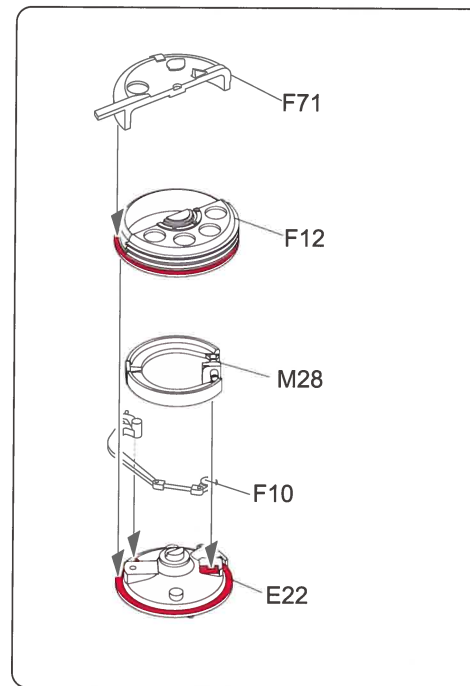
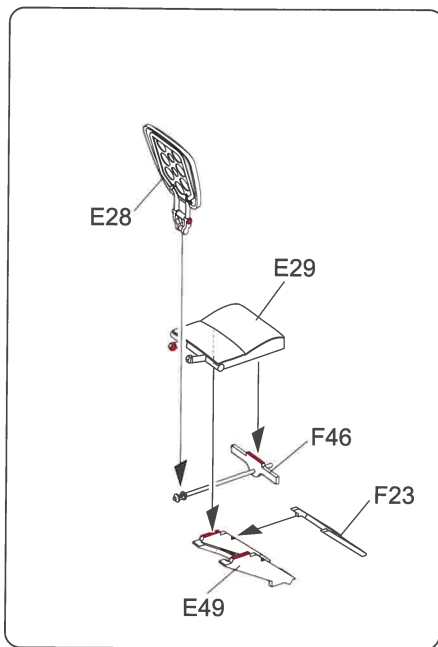
13



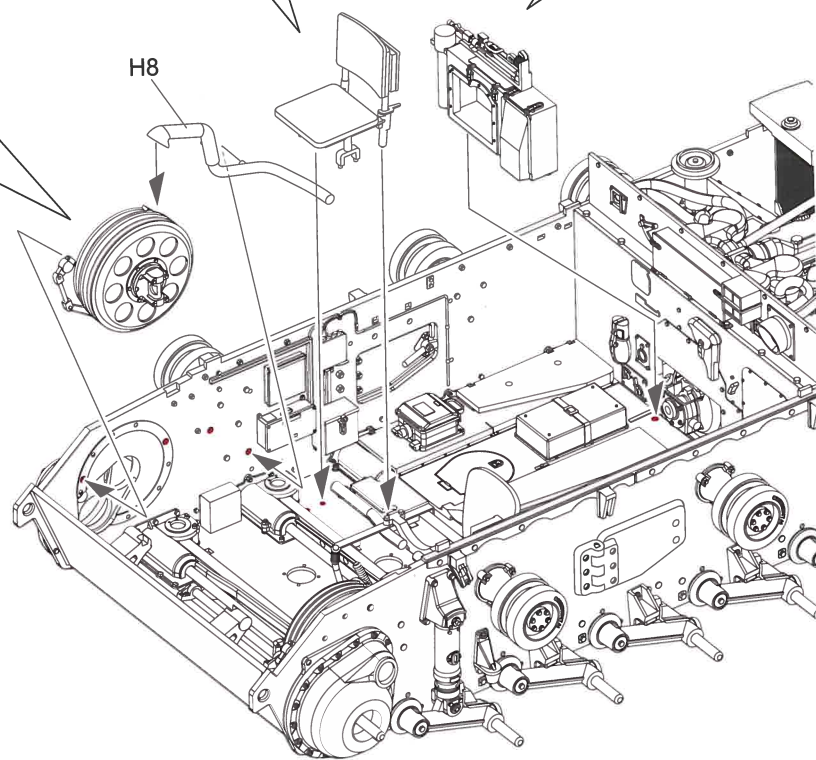
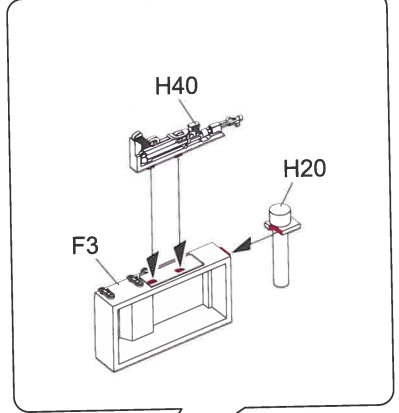
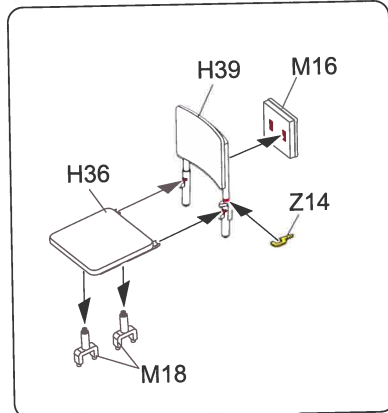
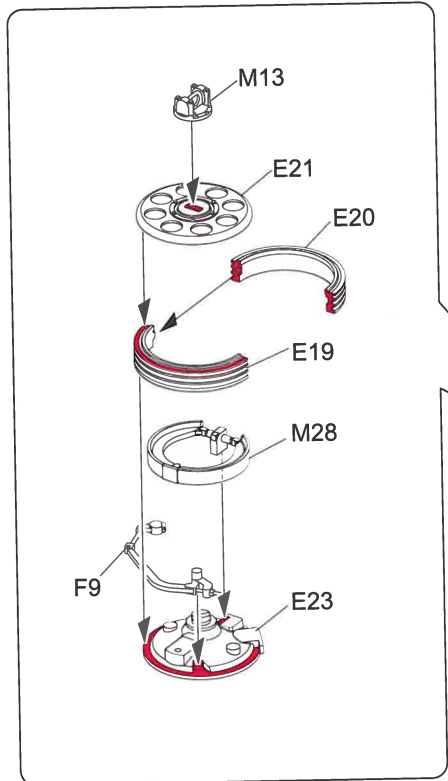
14



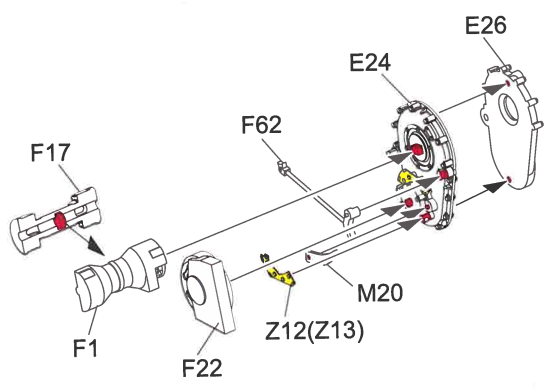
15



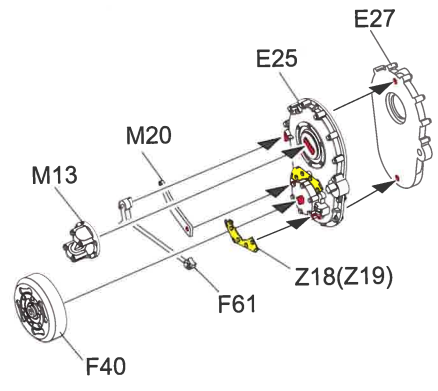
16



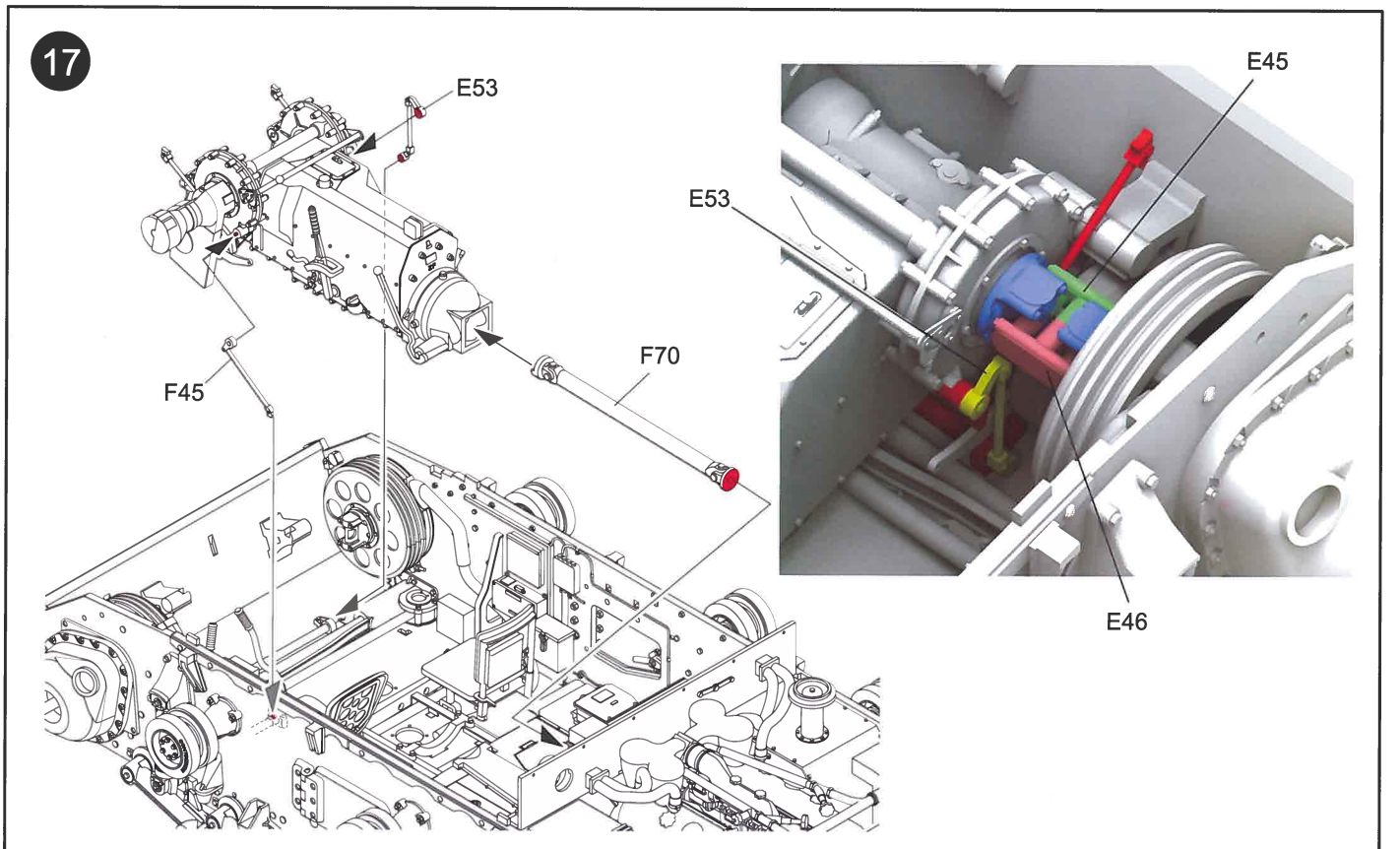
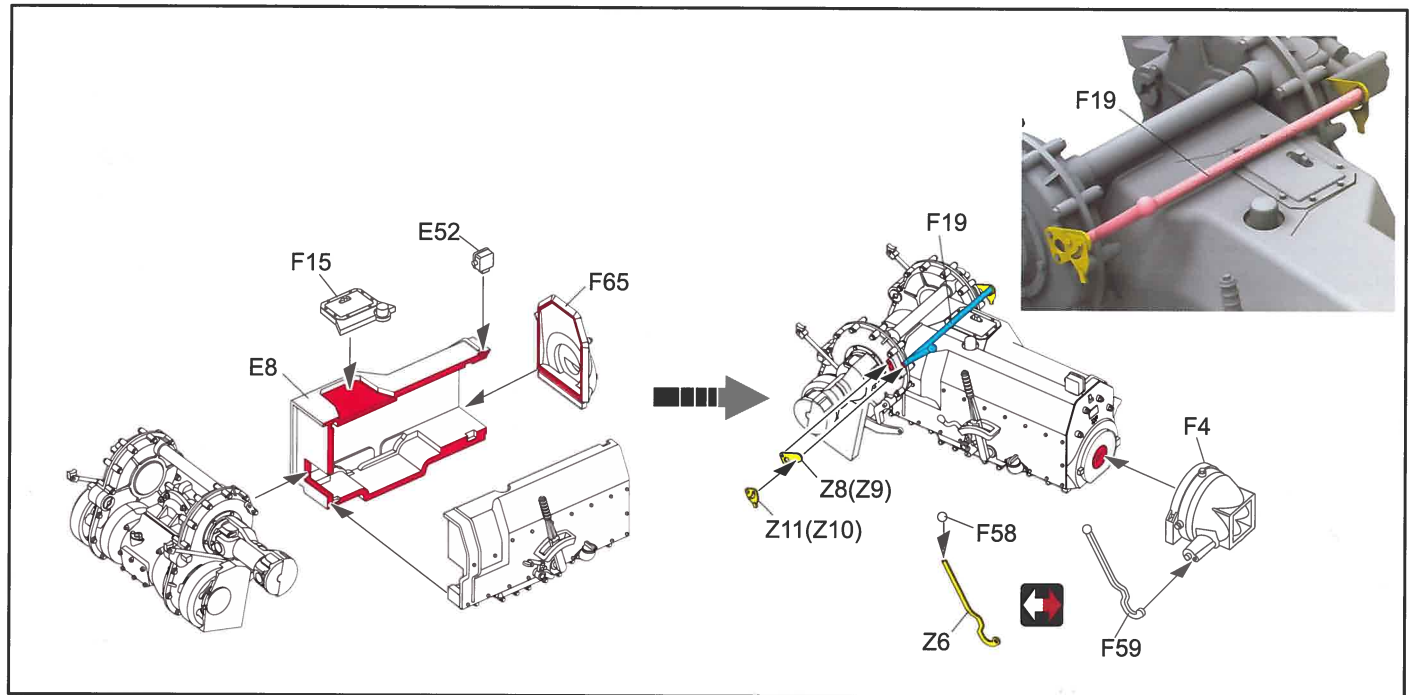
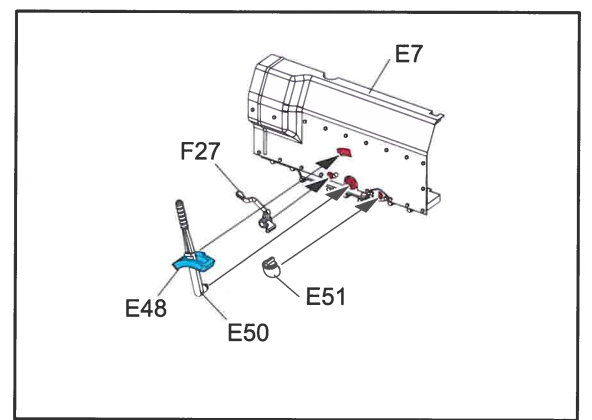
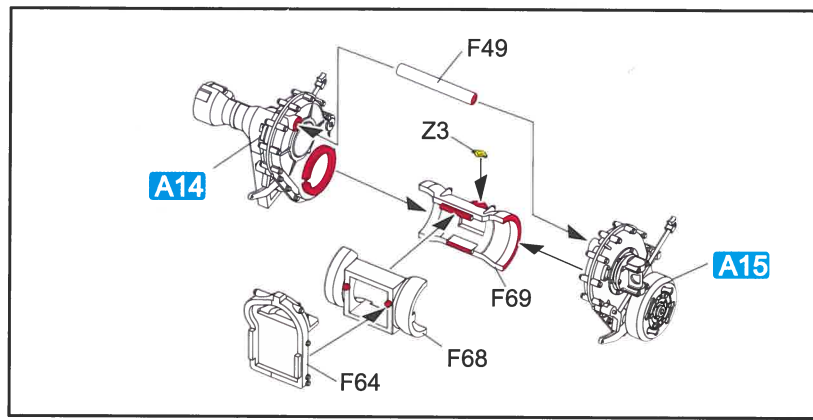
A14



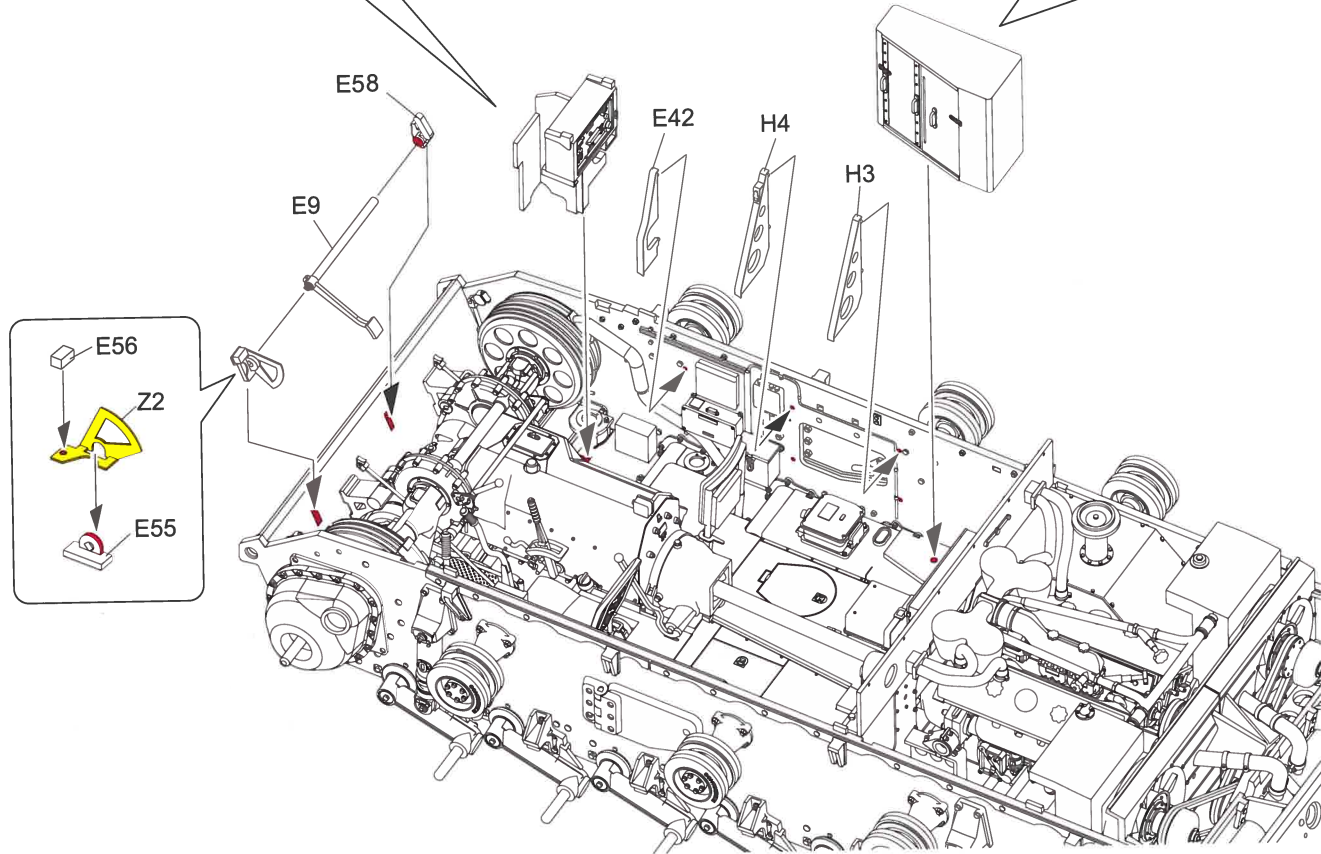
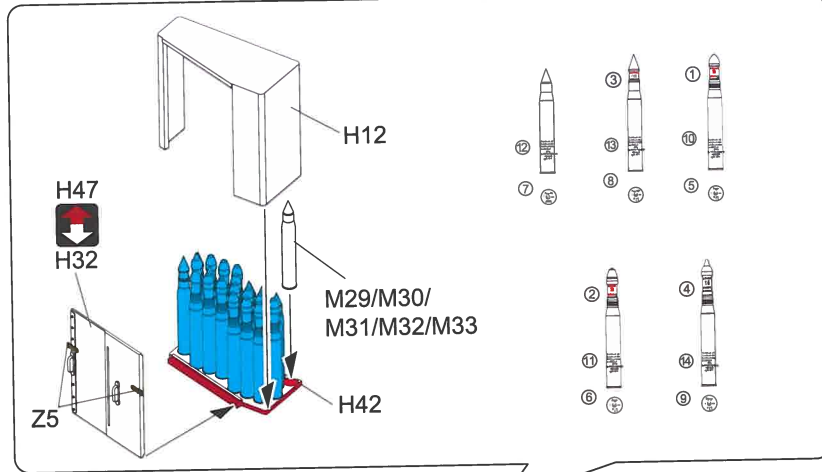
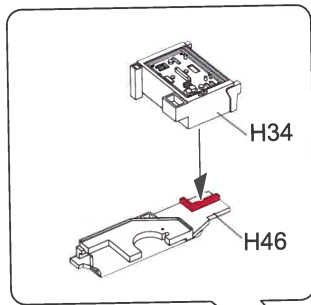
A15





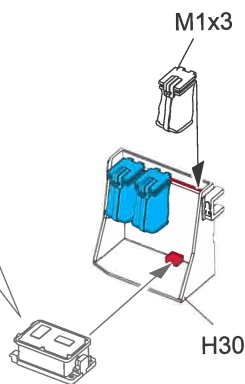
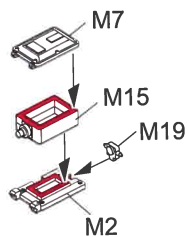


18



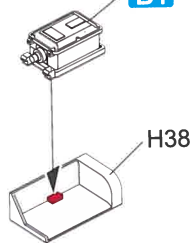
A16

B1 MAKE 2  
制作2组

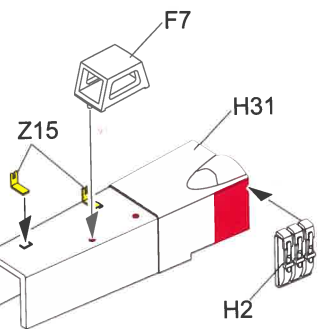


A17

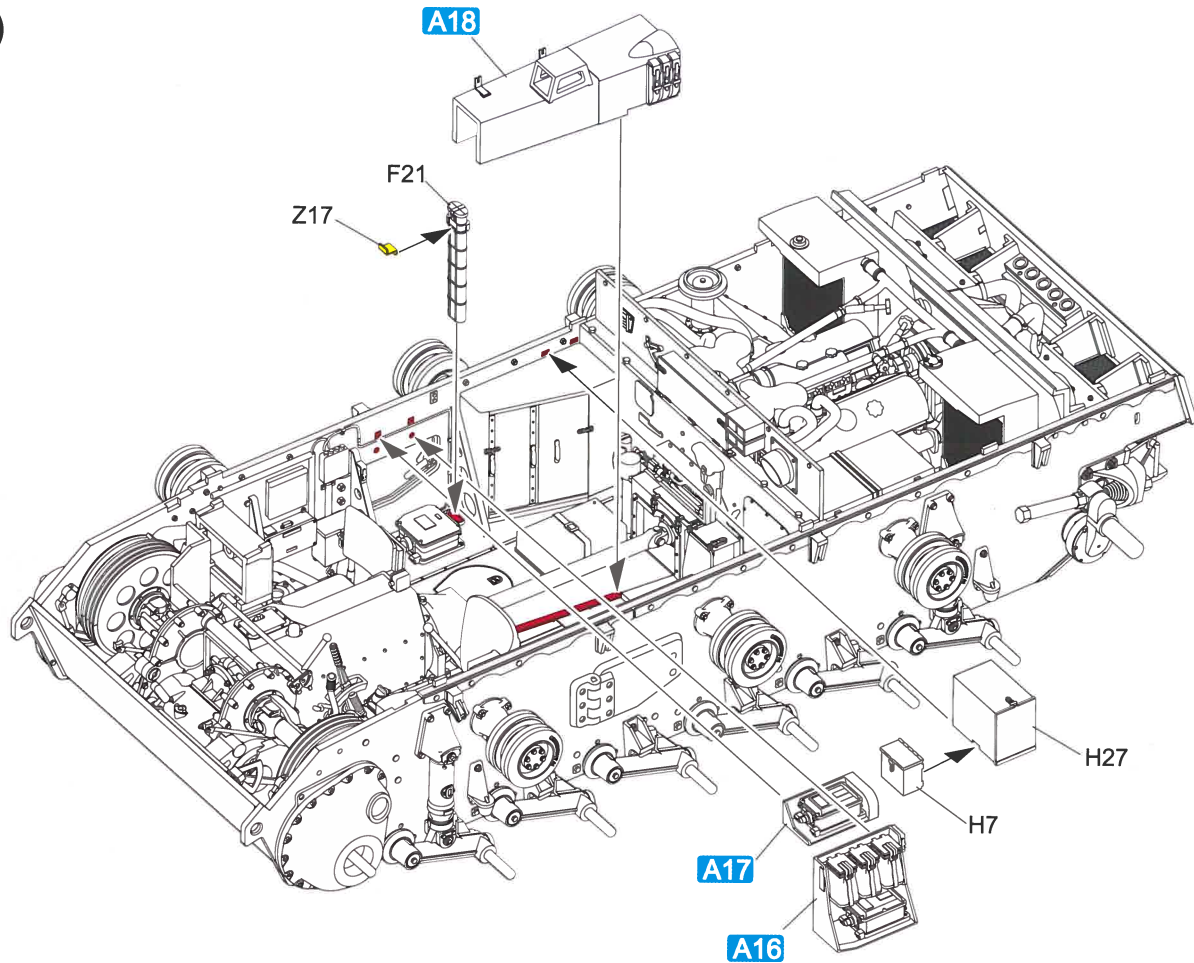
B1



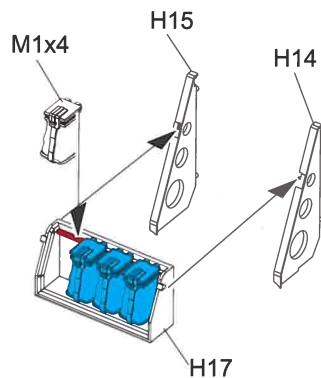
A18



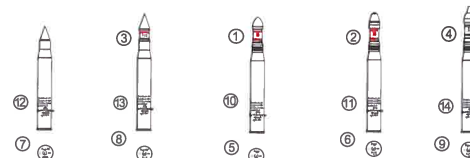
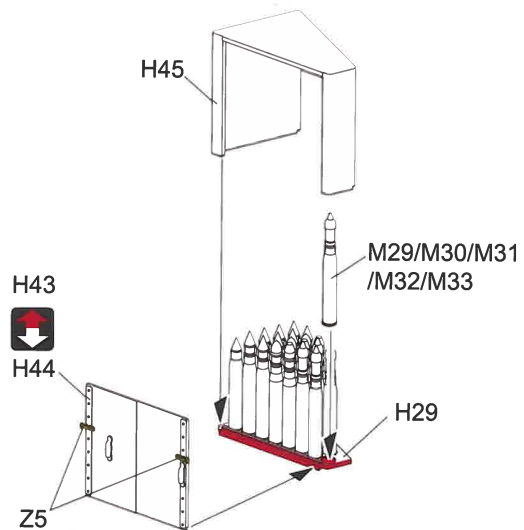
19



A19

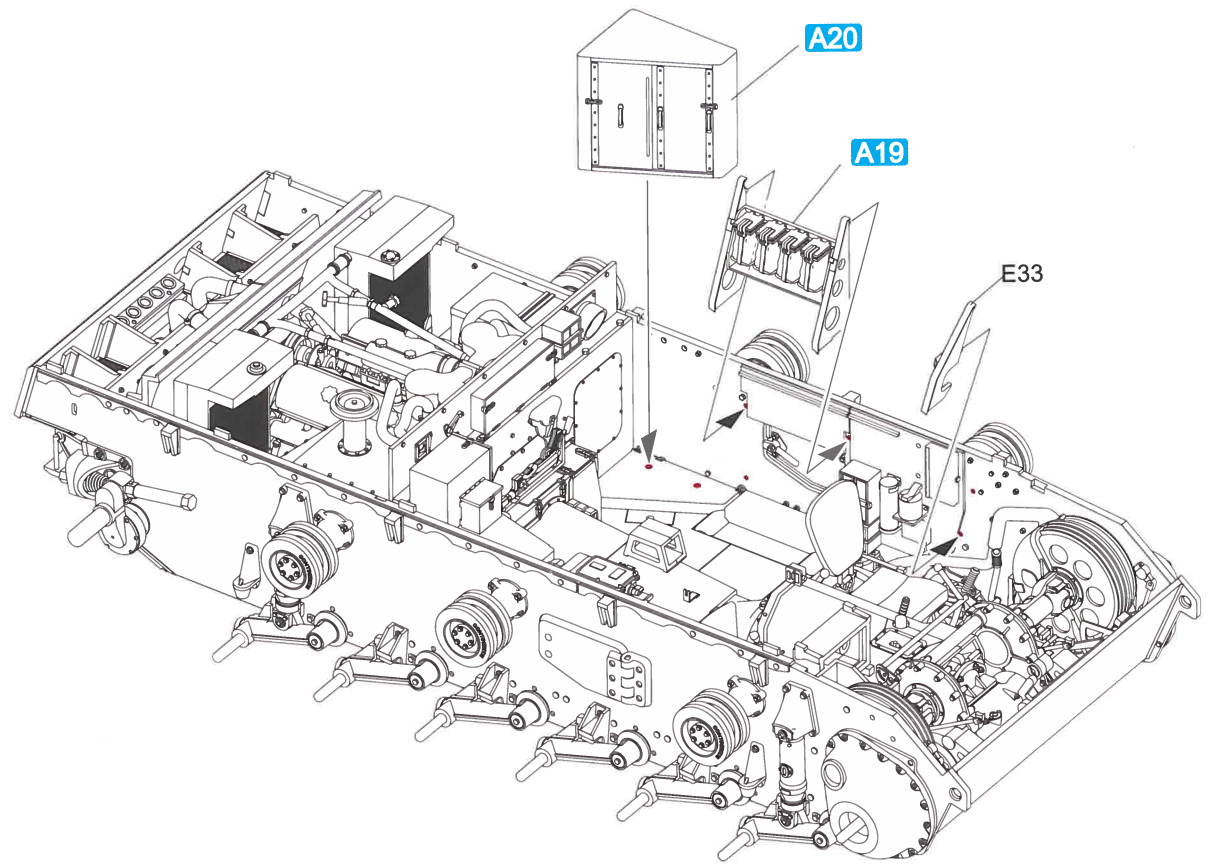


A20

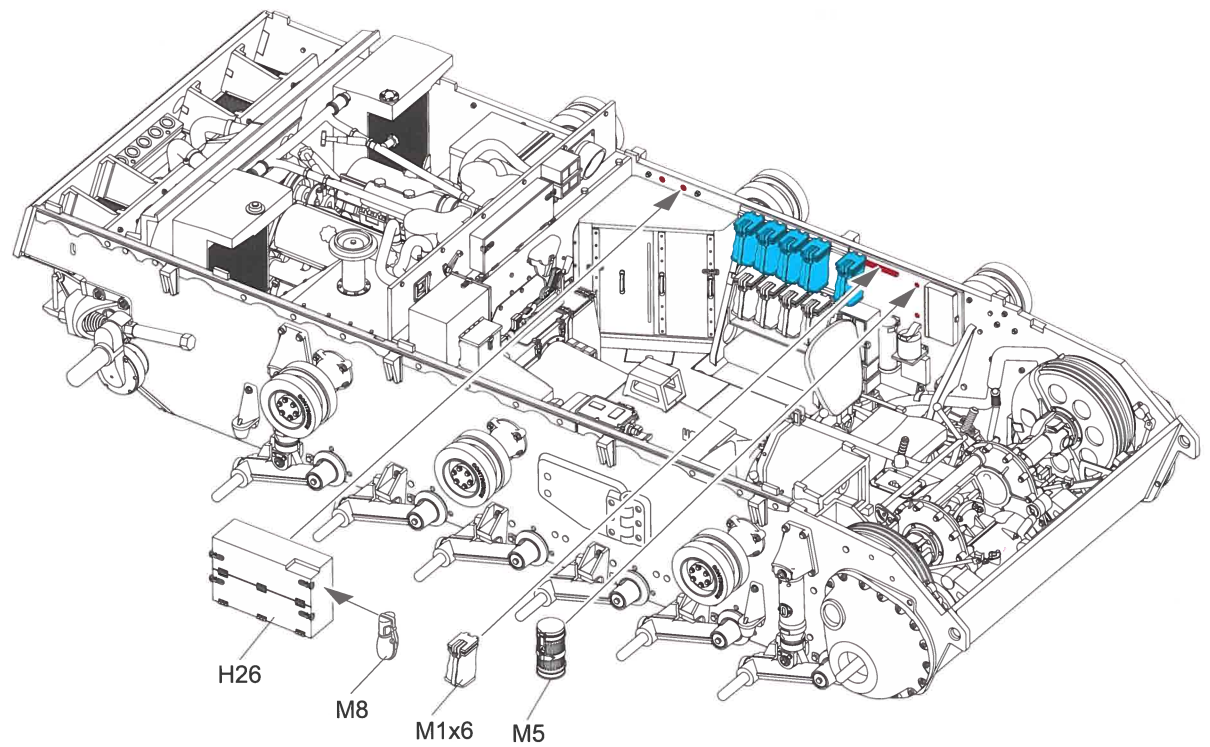




20

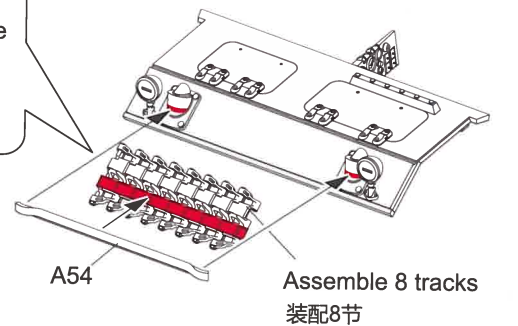
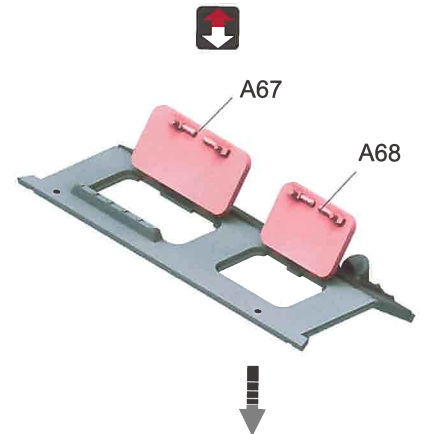
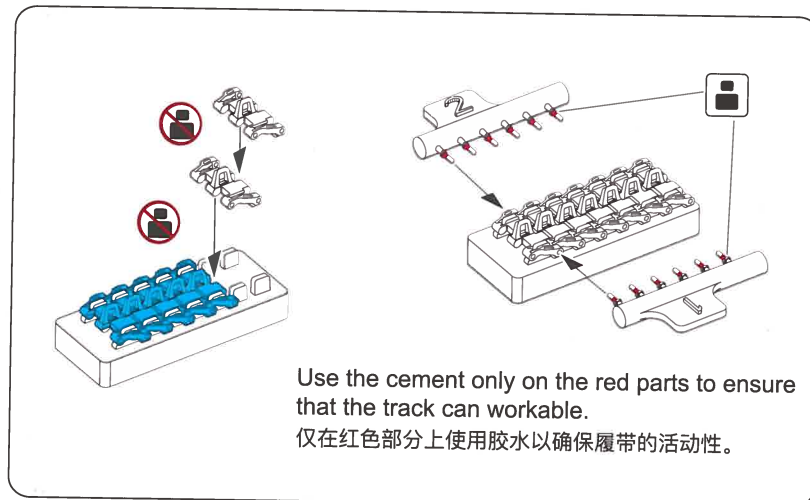
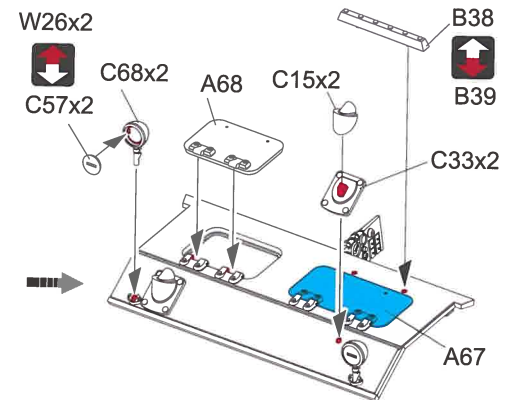
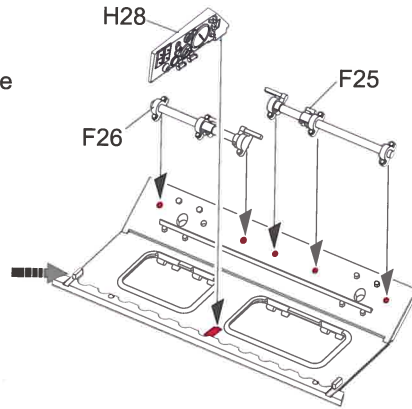
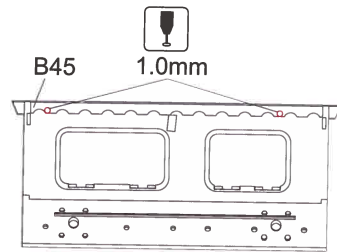


21



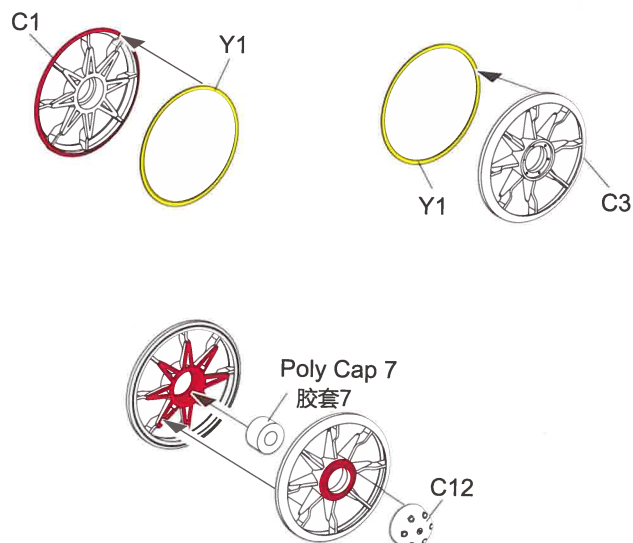
## A21

Drill holes when choice assemble additional armor plates  
选装附加装甲时钻孔



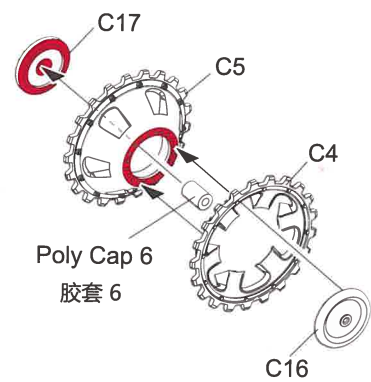
MAKE 2  
制作2组

## A22

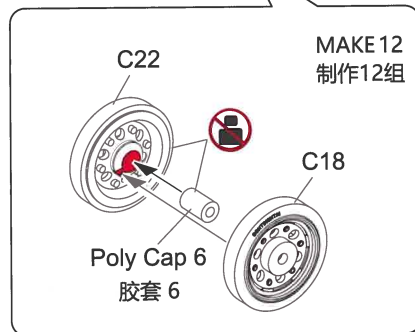
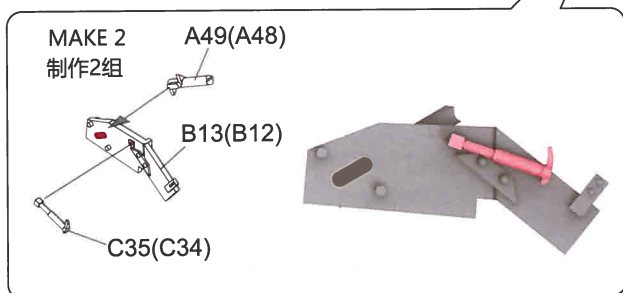
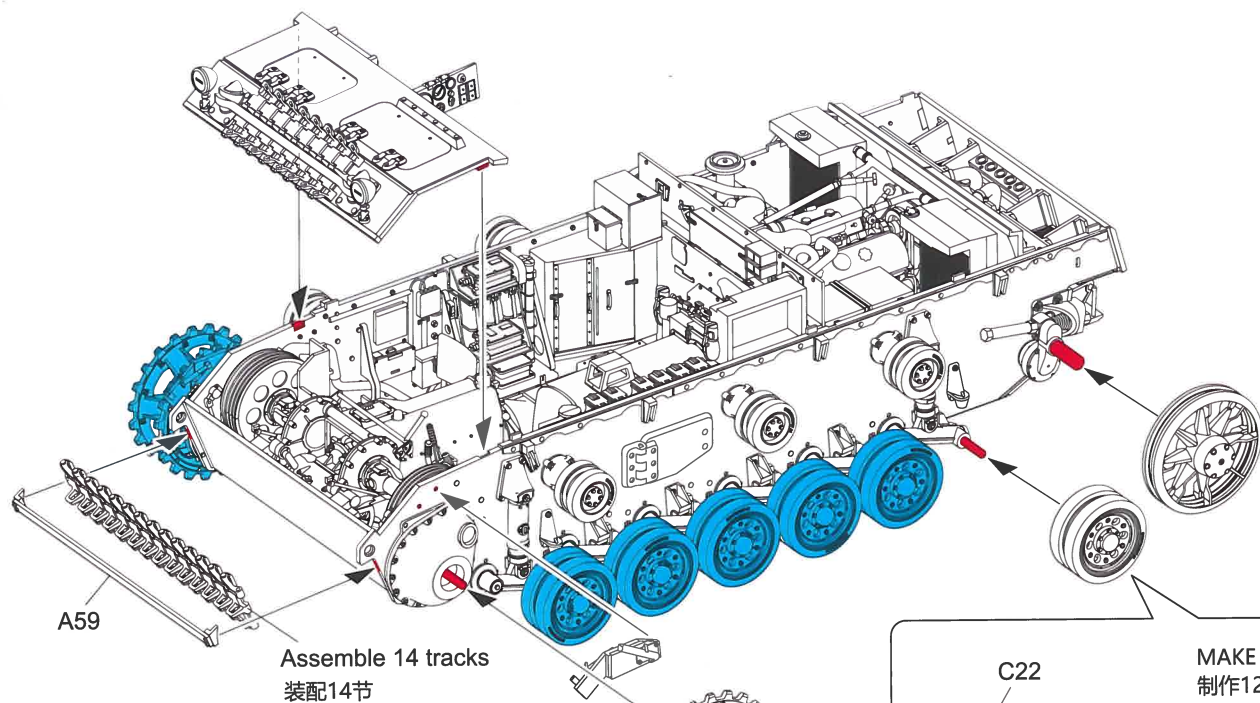


MAKE 2  
制作2组

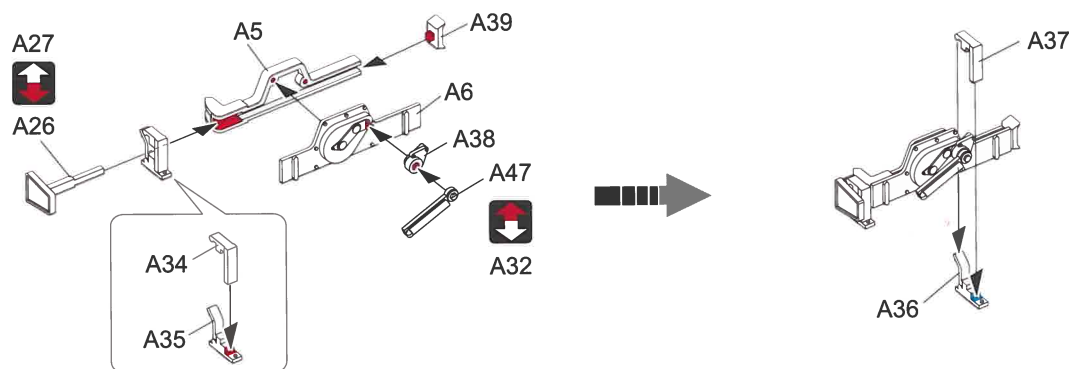
## A23



22

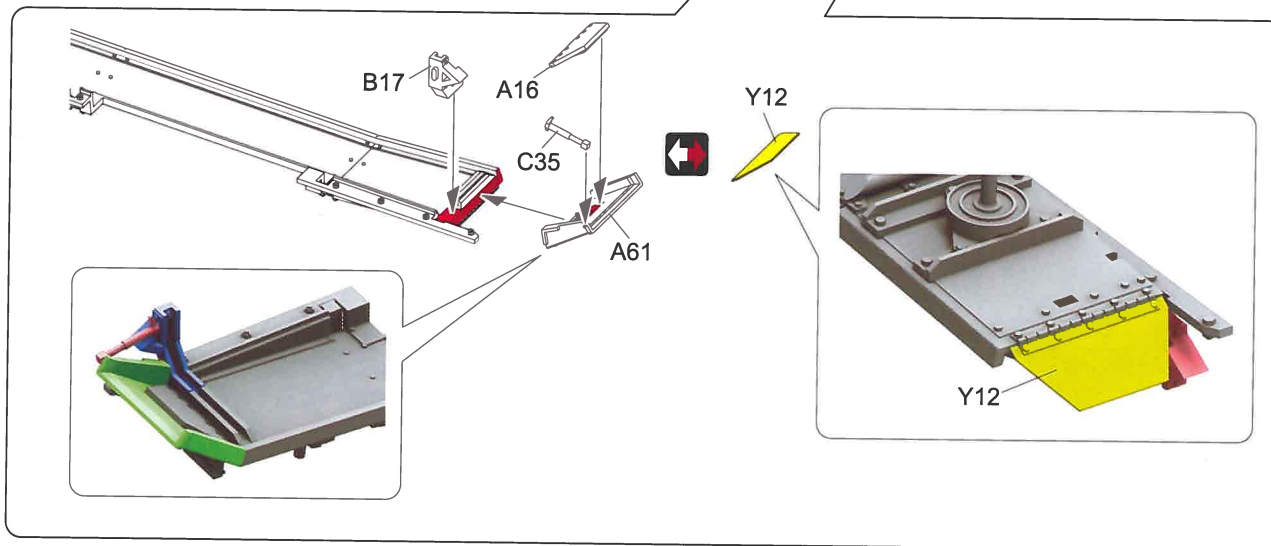
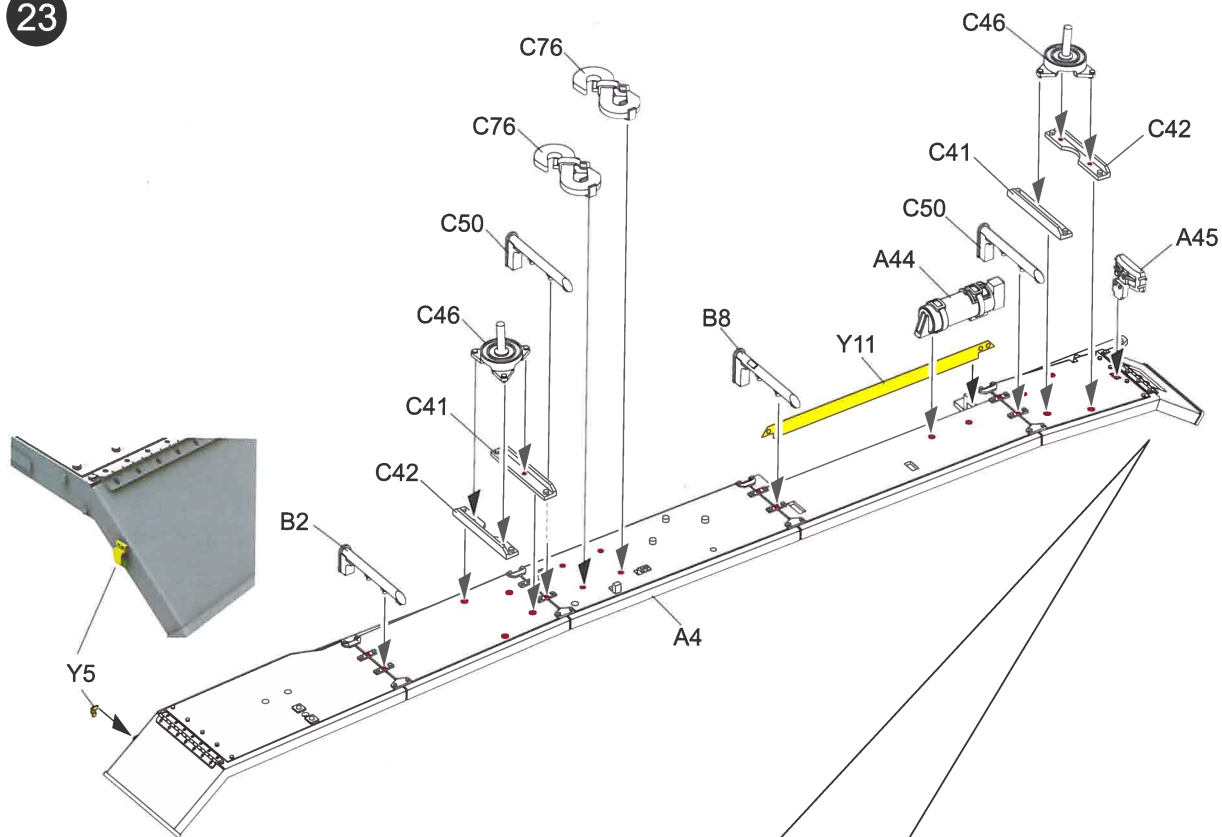


A23

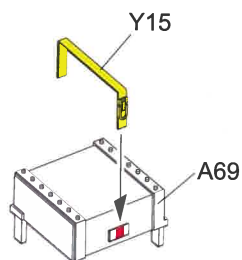




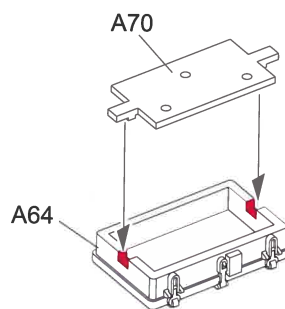
23



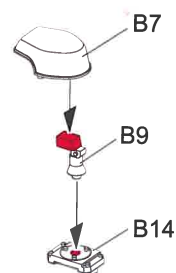
A24

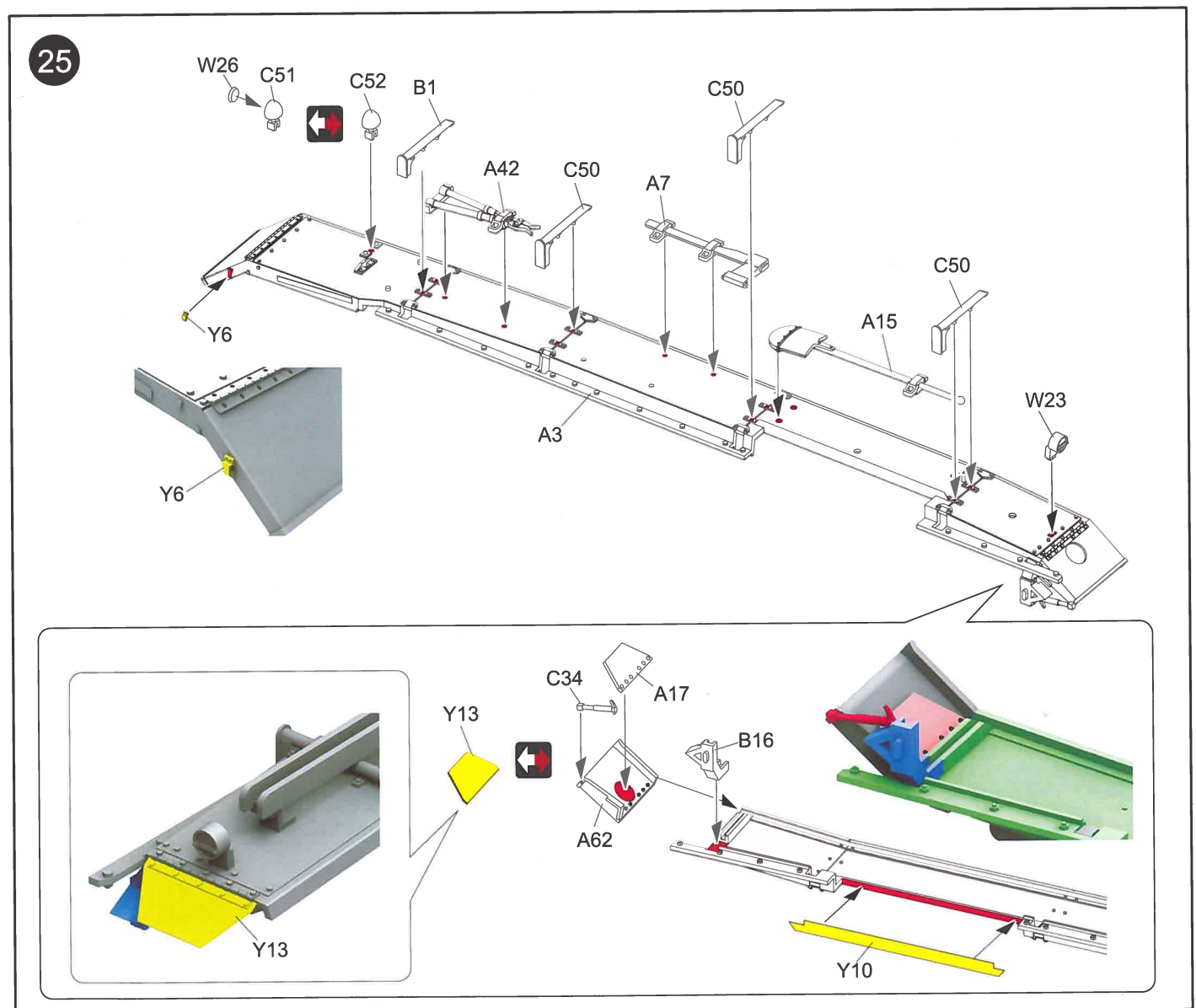
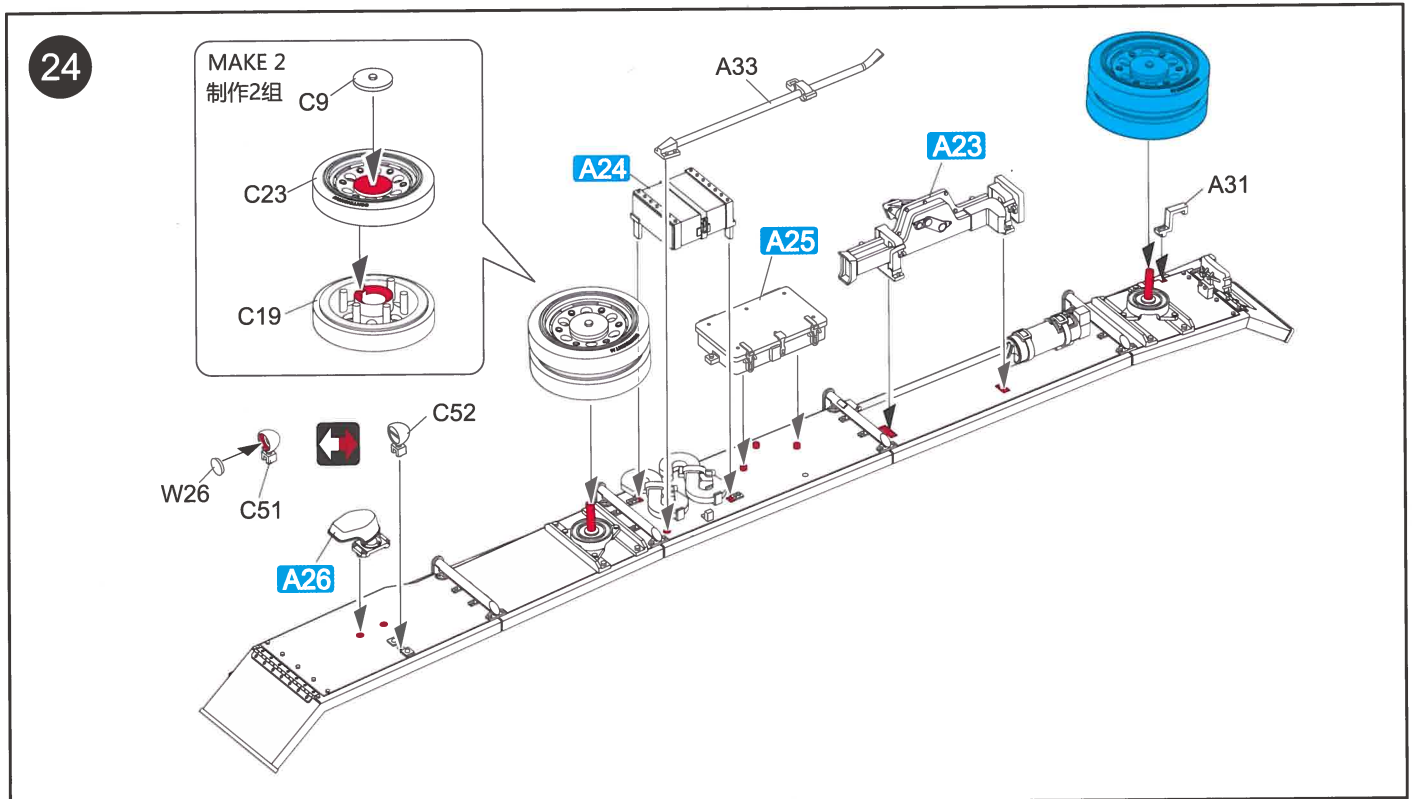


A25

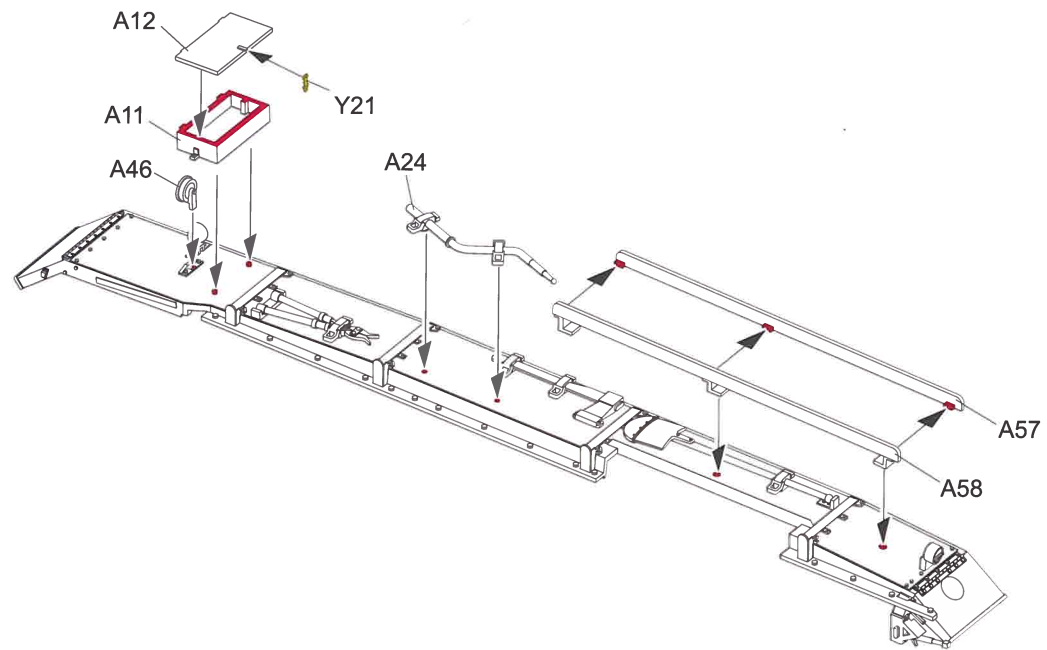


A26

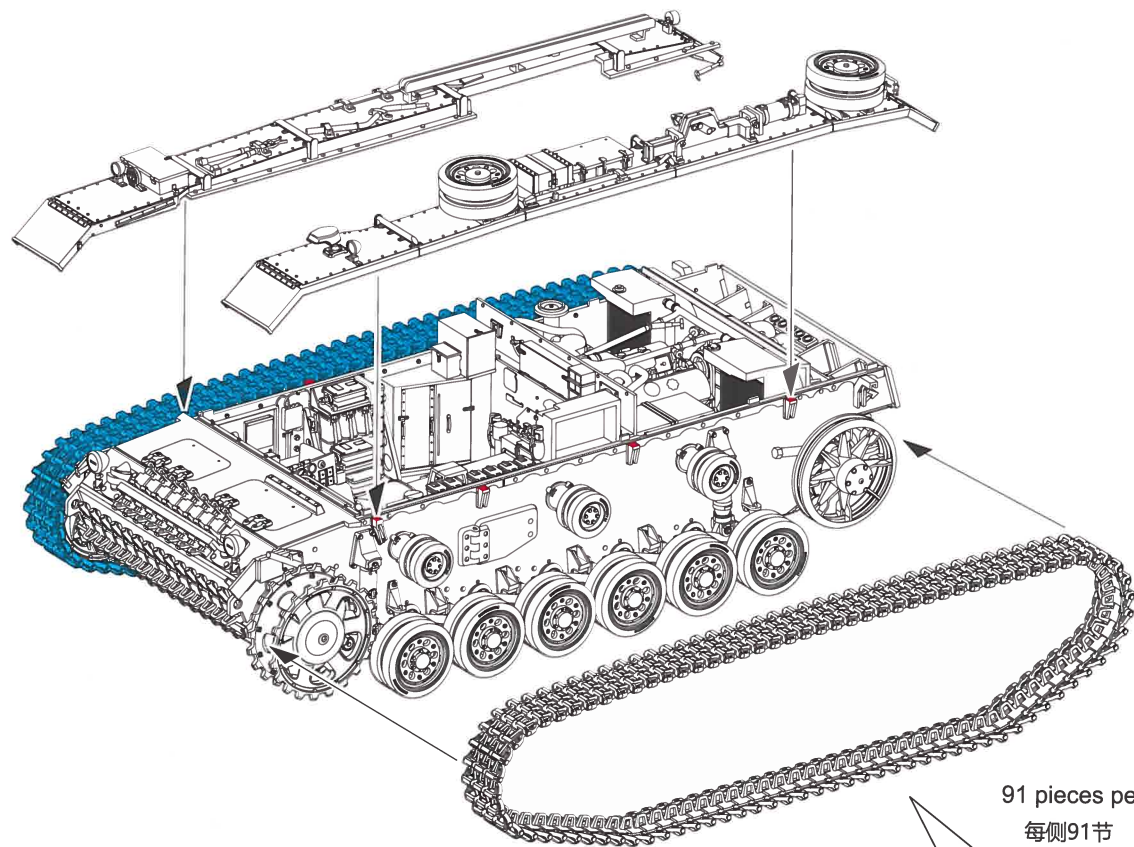




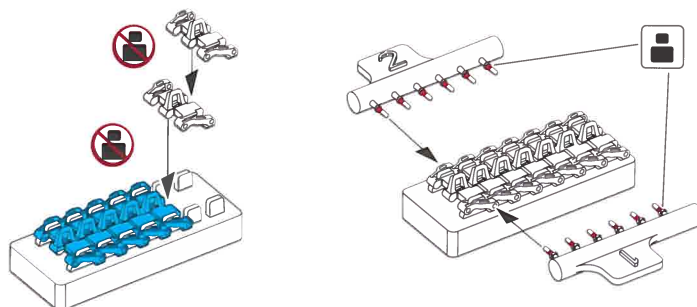
26



27

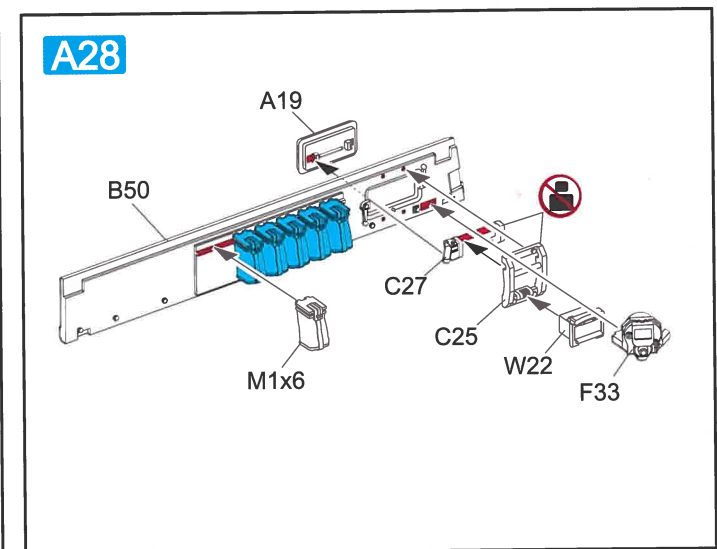
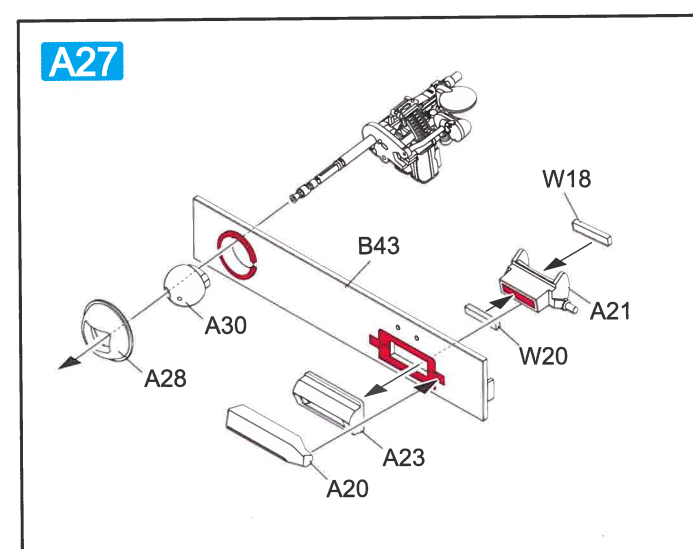
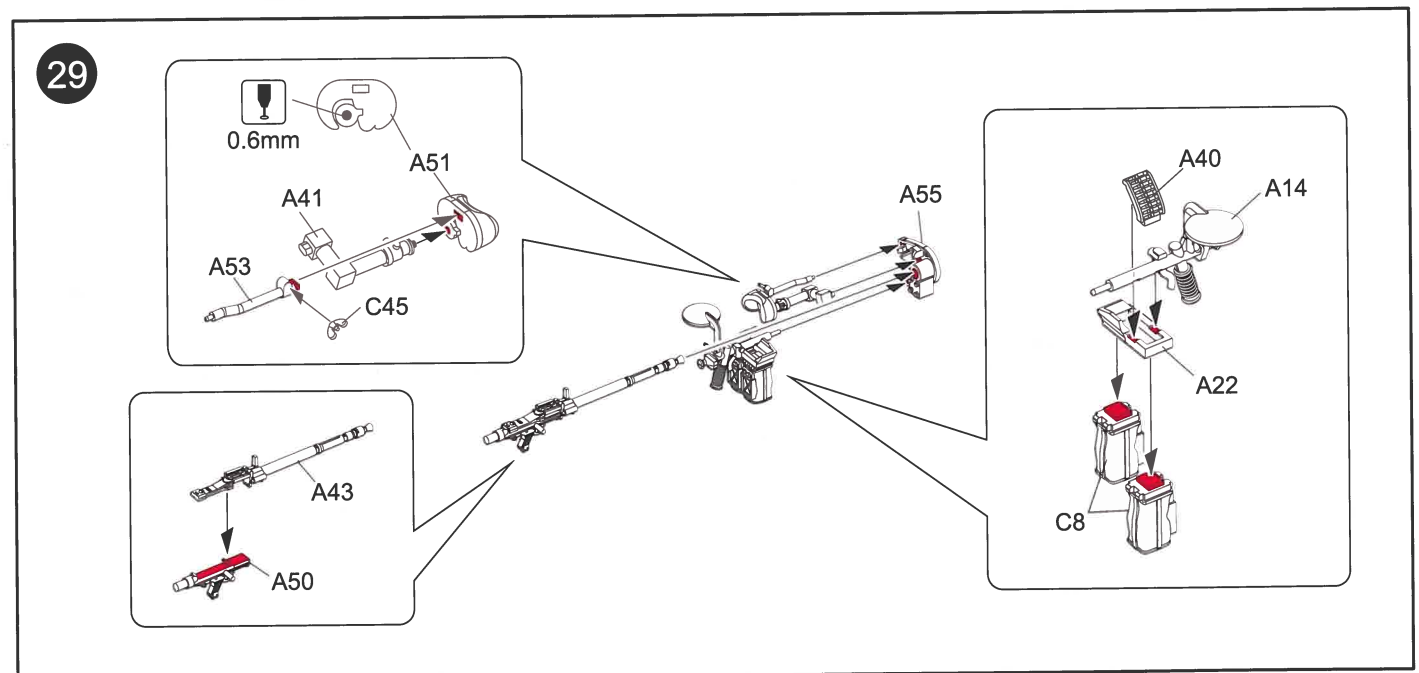
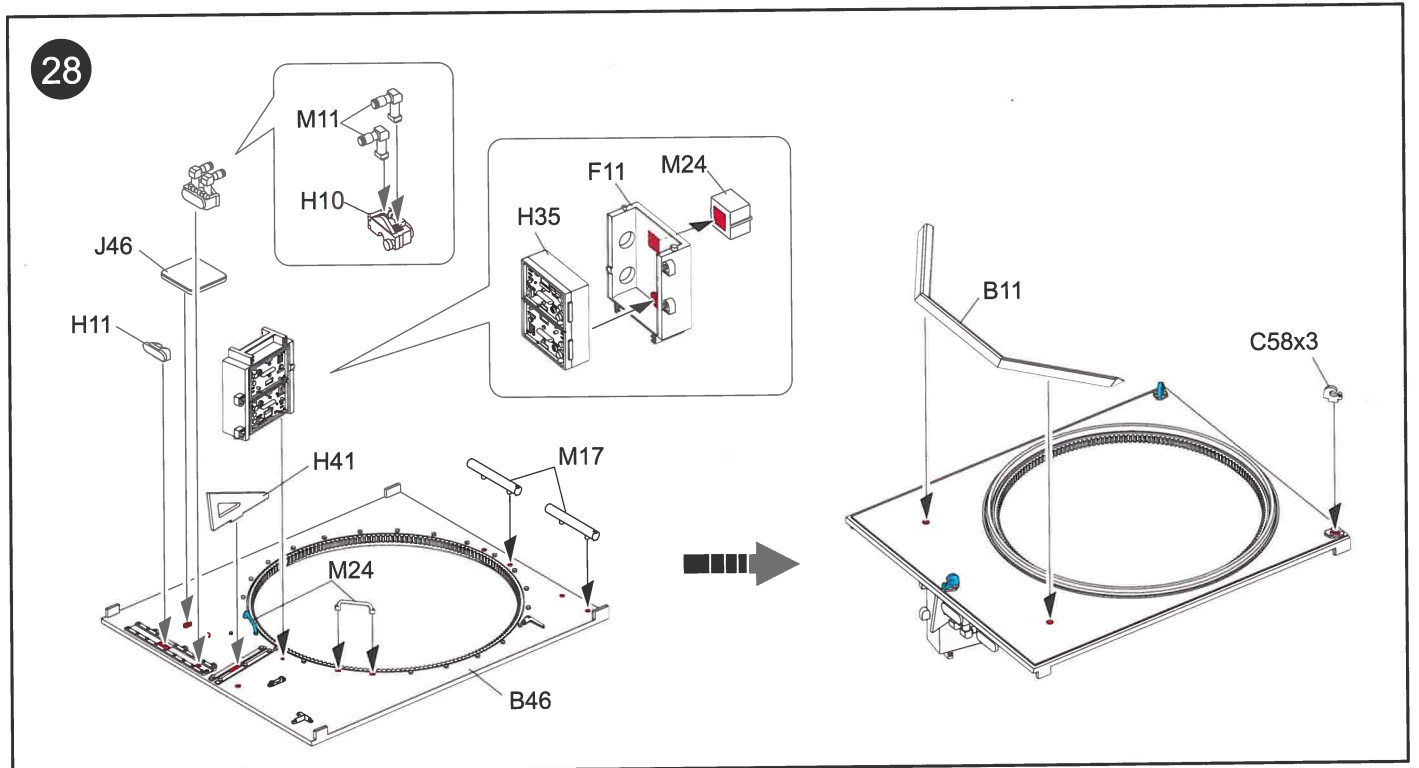


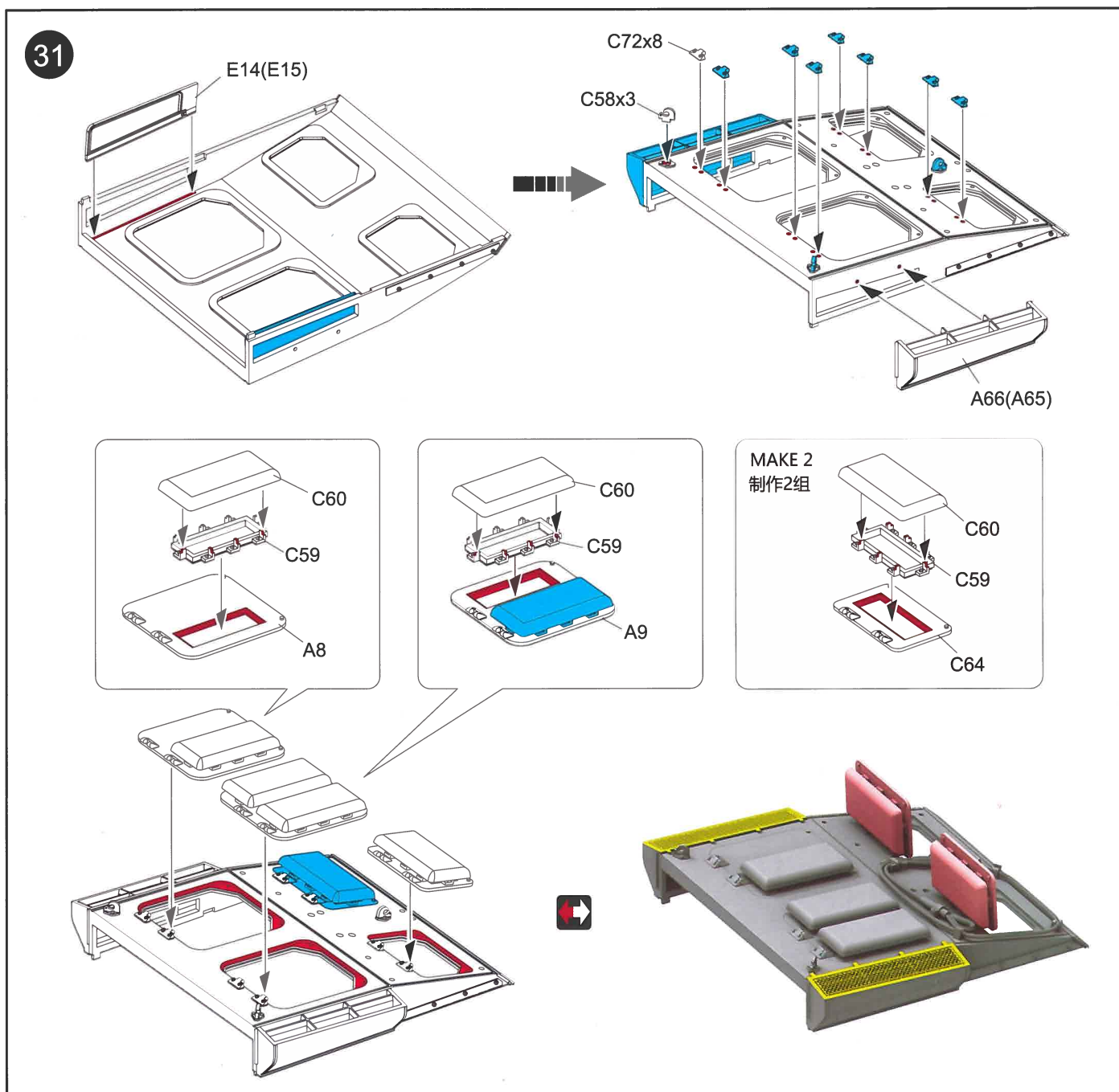
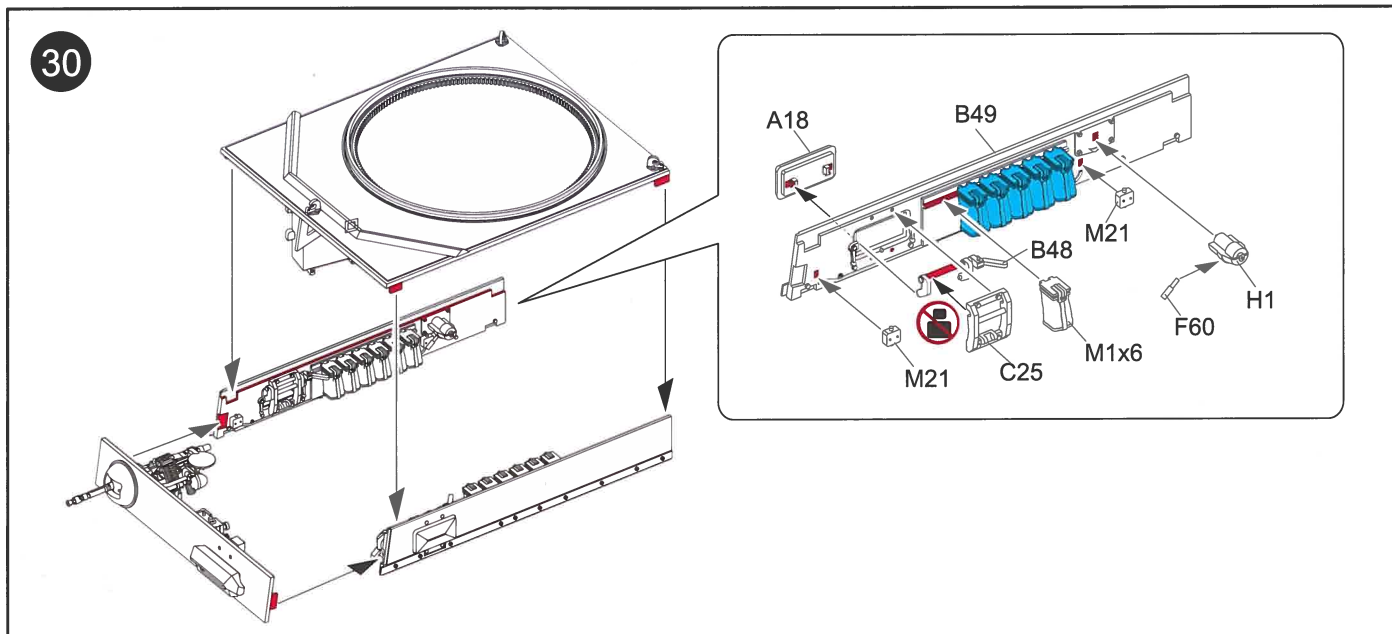
91 pieces per side  
每侧91节

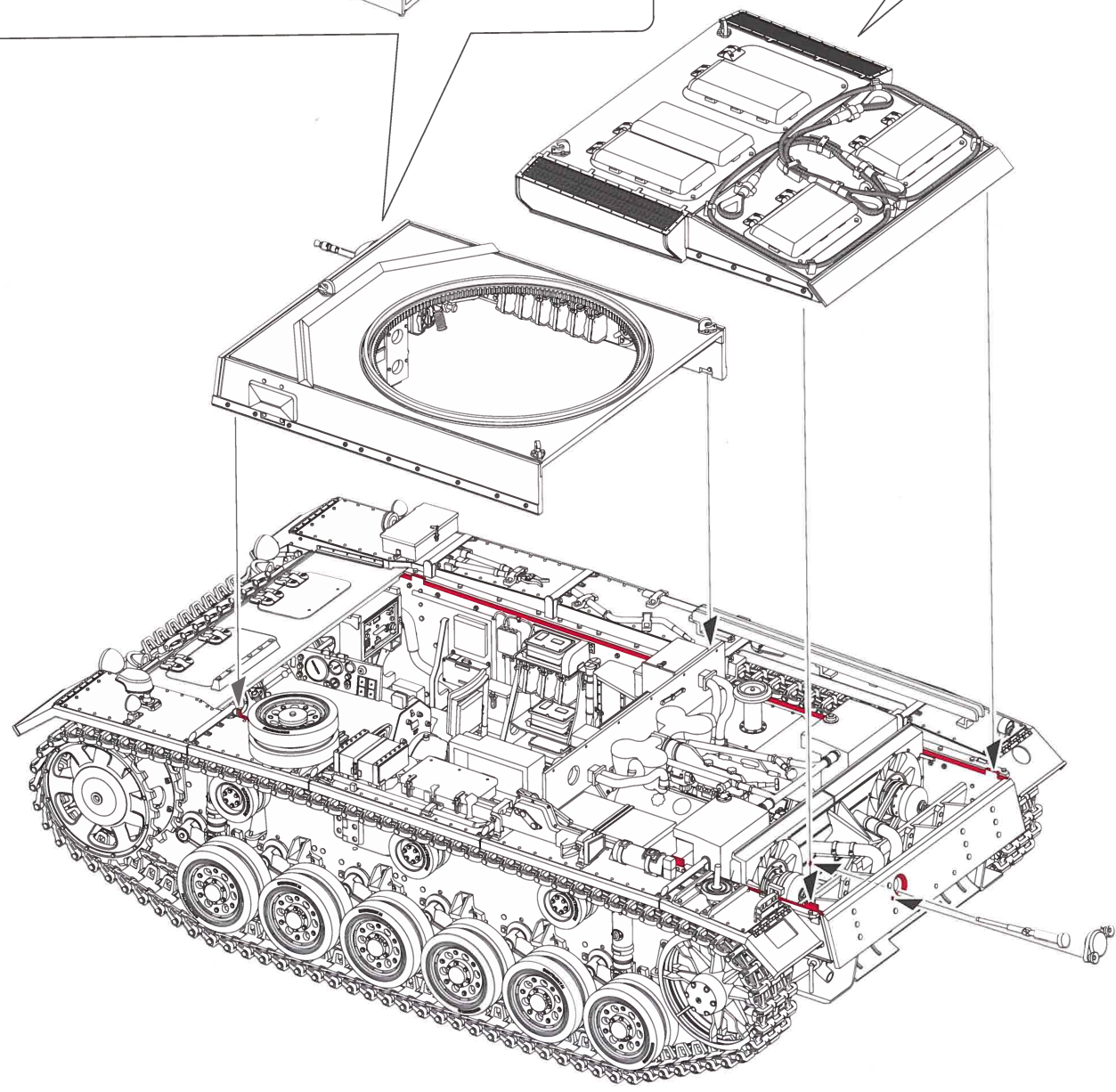
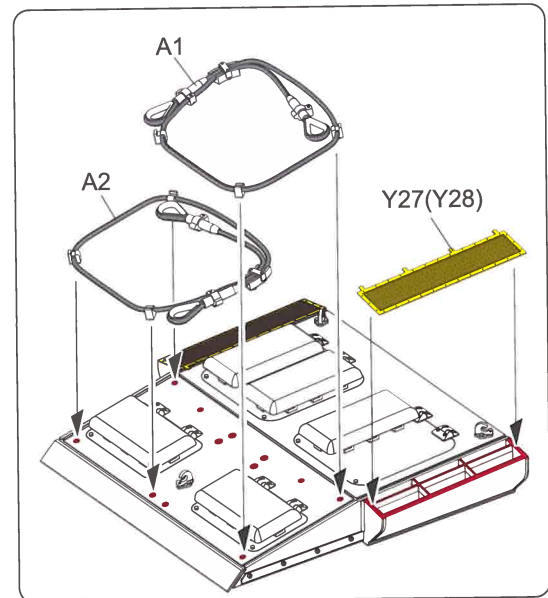
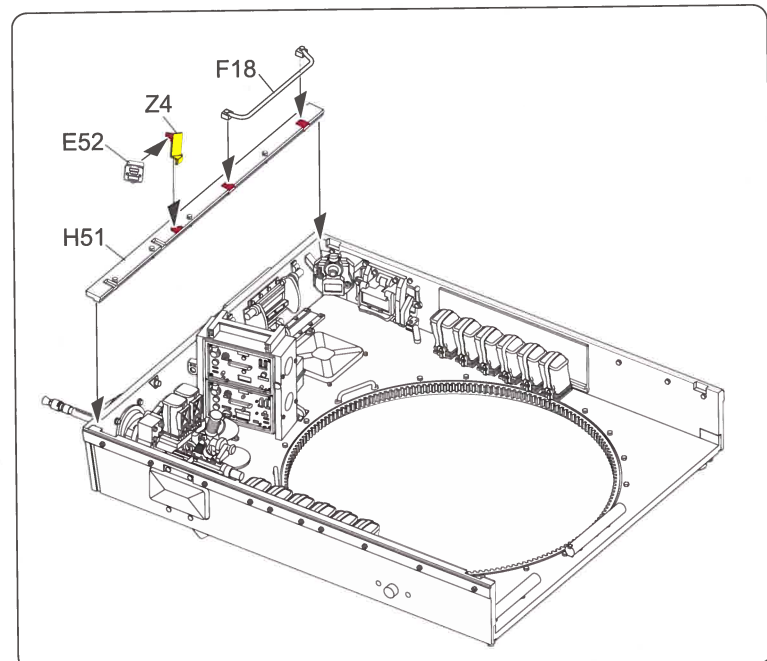


Use the cement only on the red parts to ensure that the track can workable.  
仅在红色部分上使用胶水以确保履带的活动性。



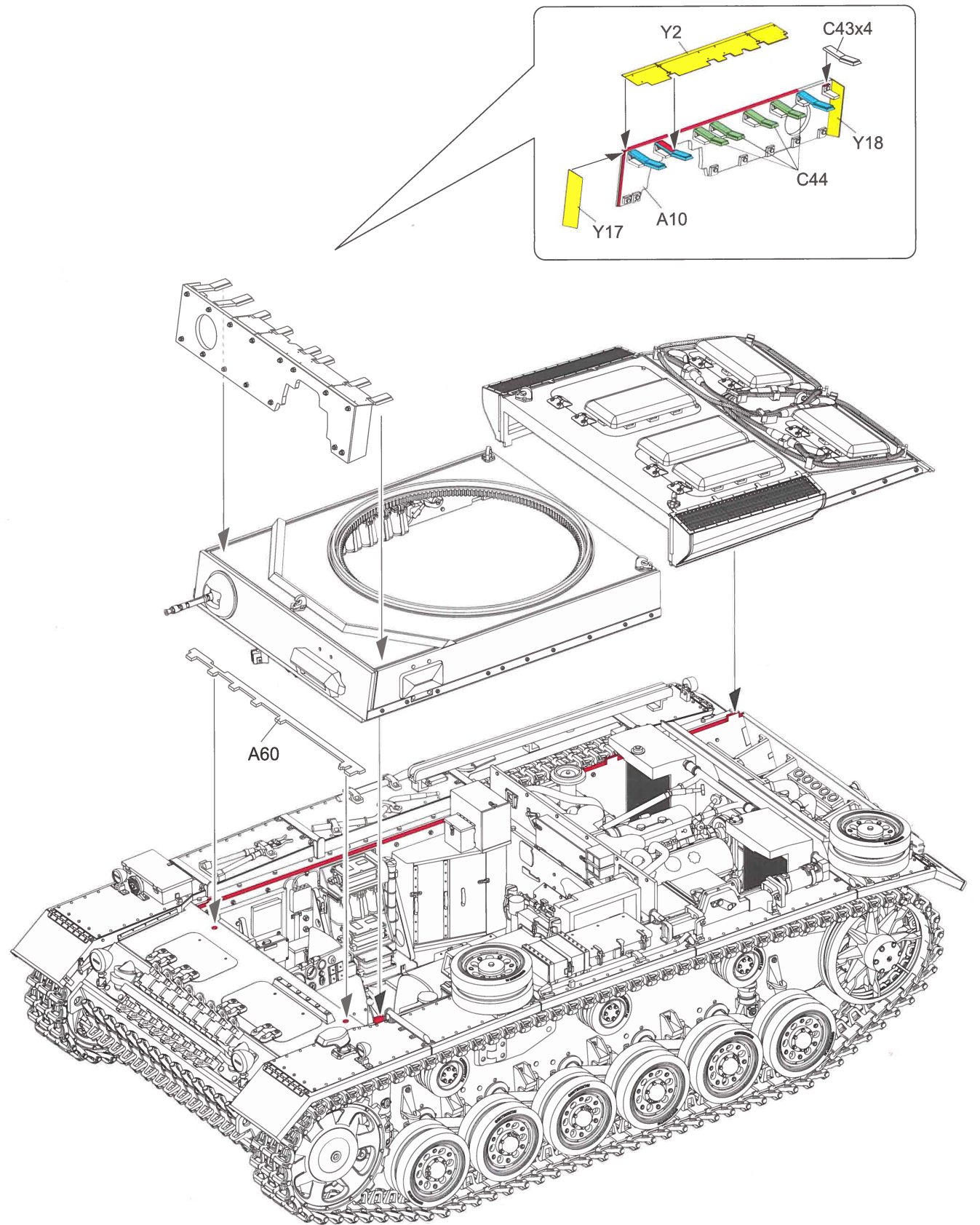


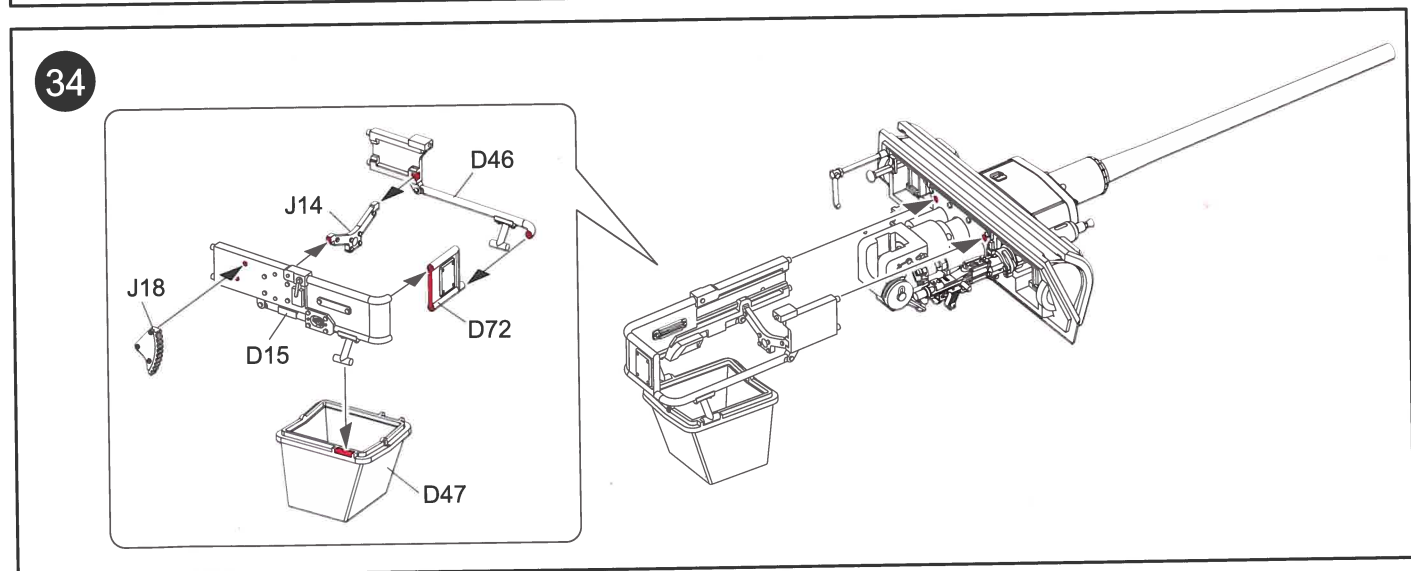
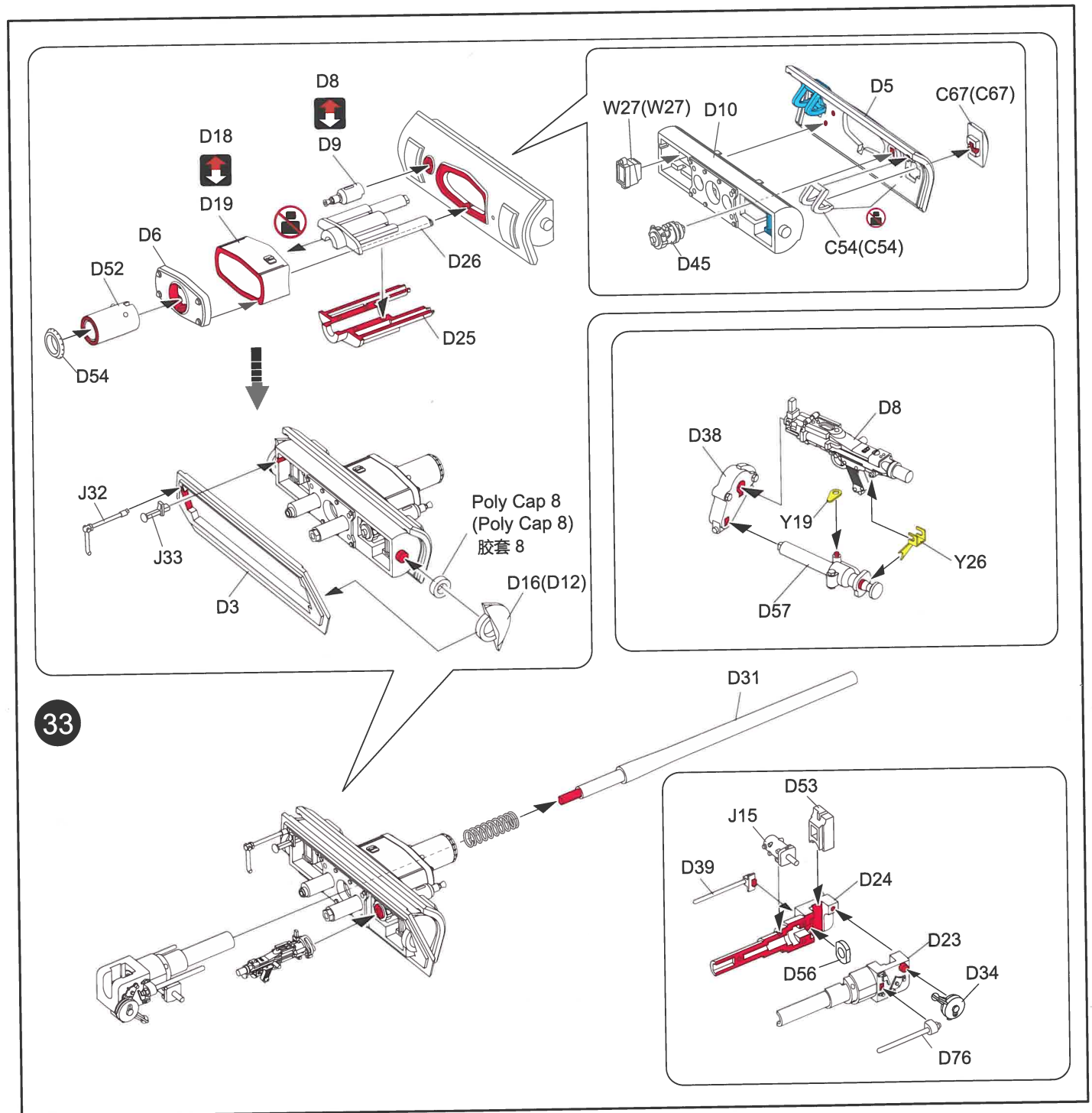




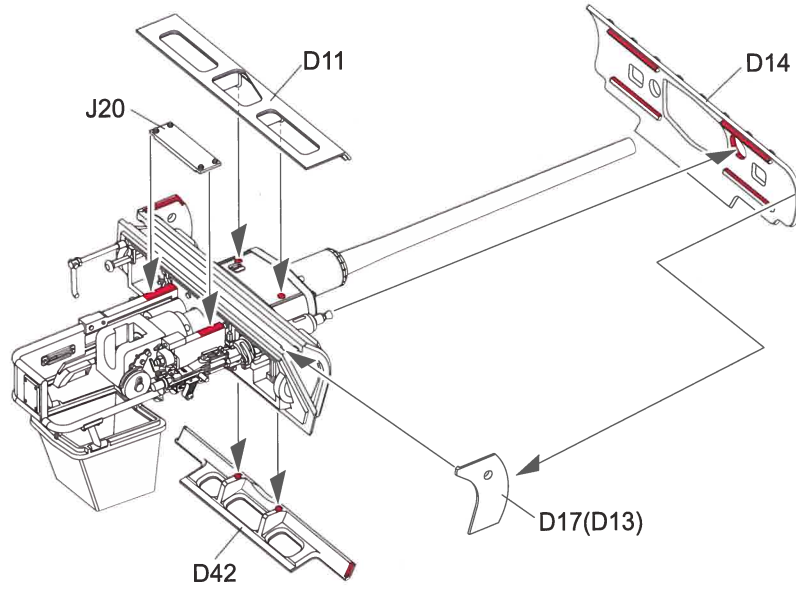


Assemble Step for Additional armor plates. 附加装甲的装配步骤

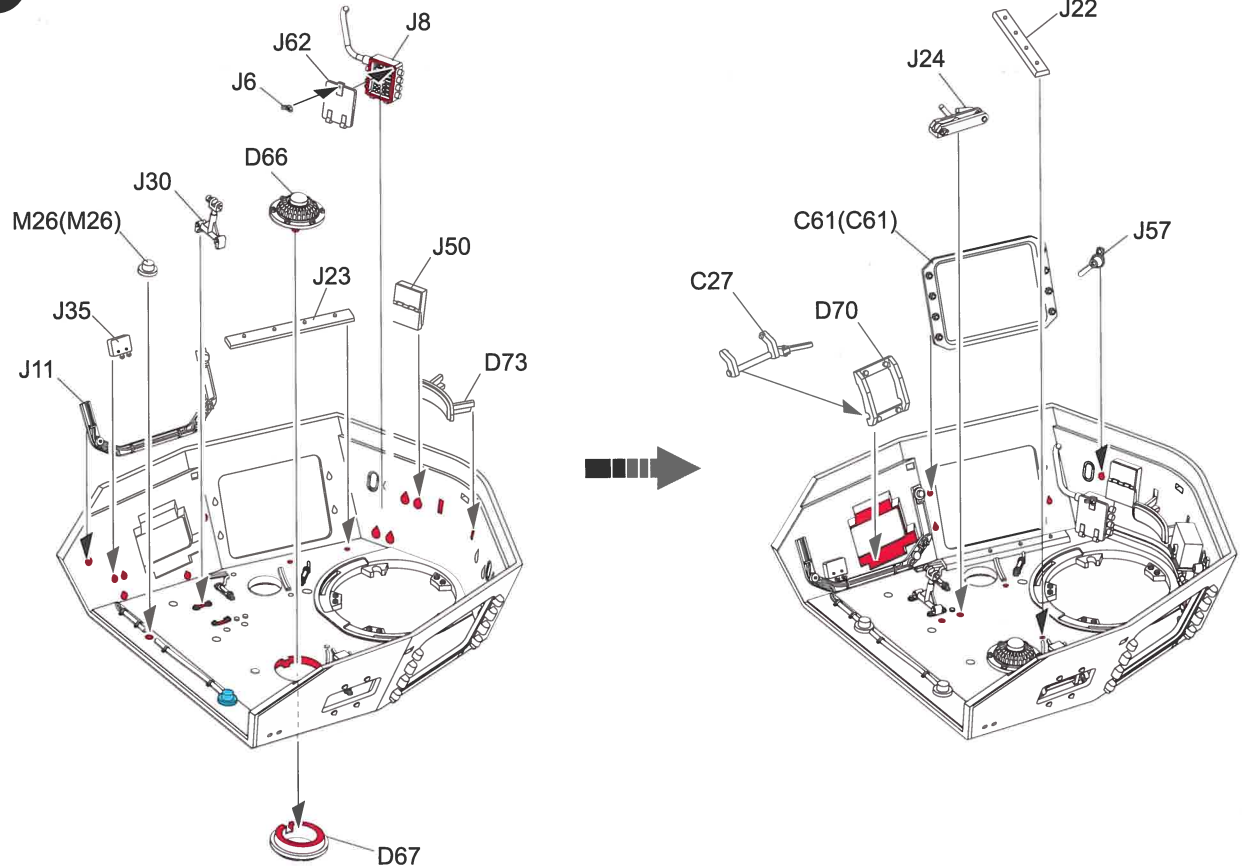




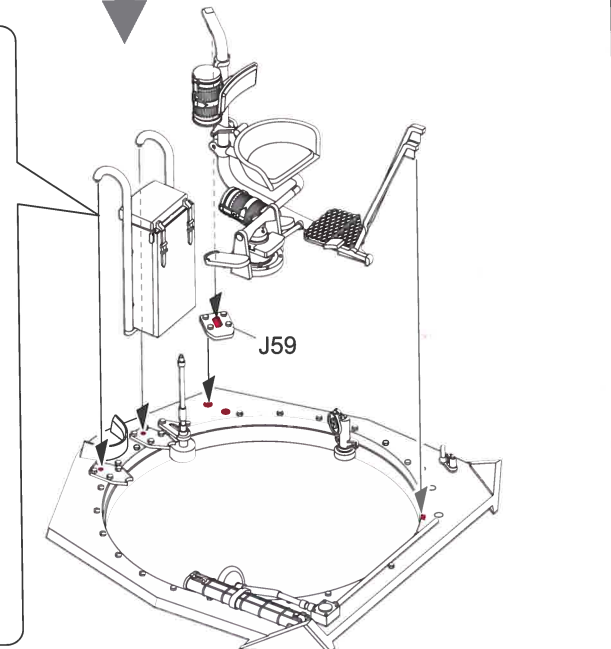
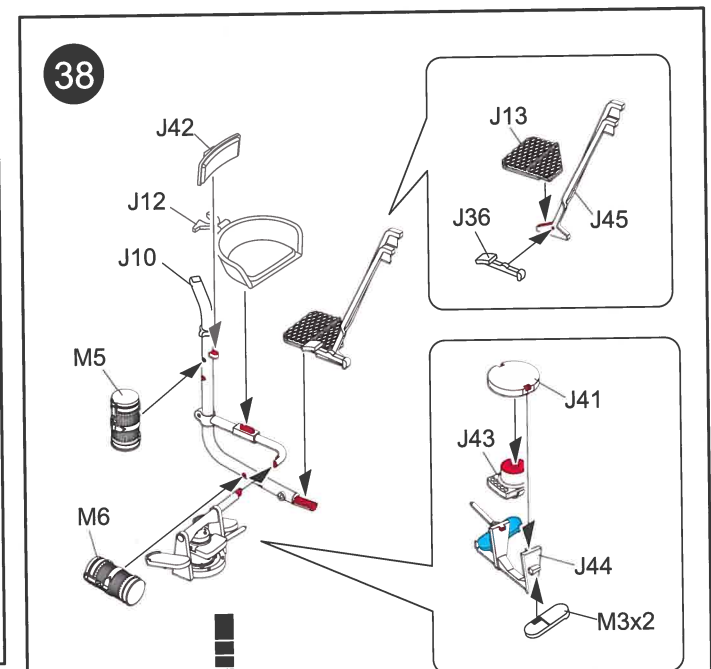
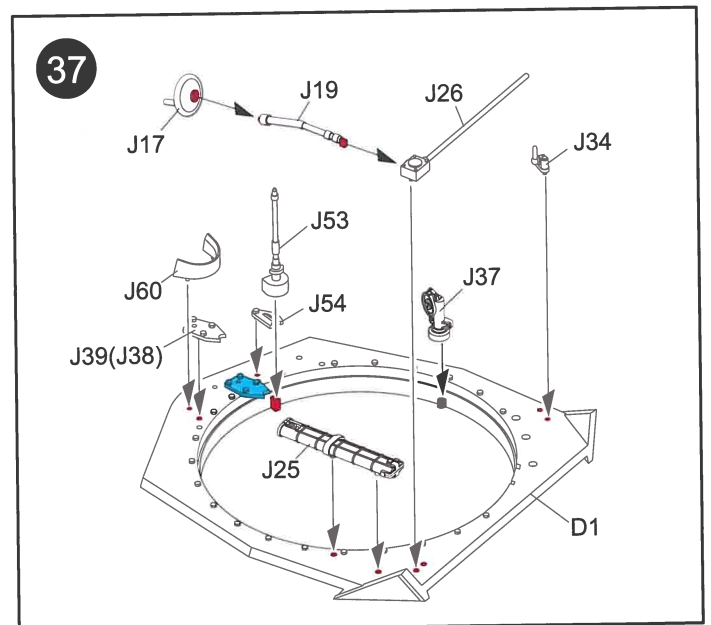
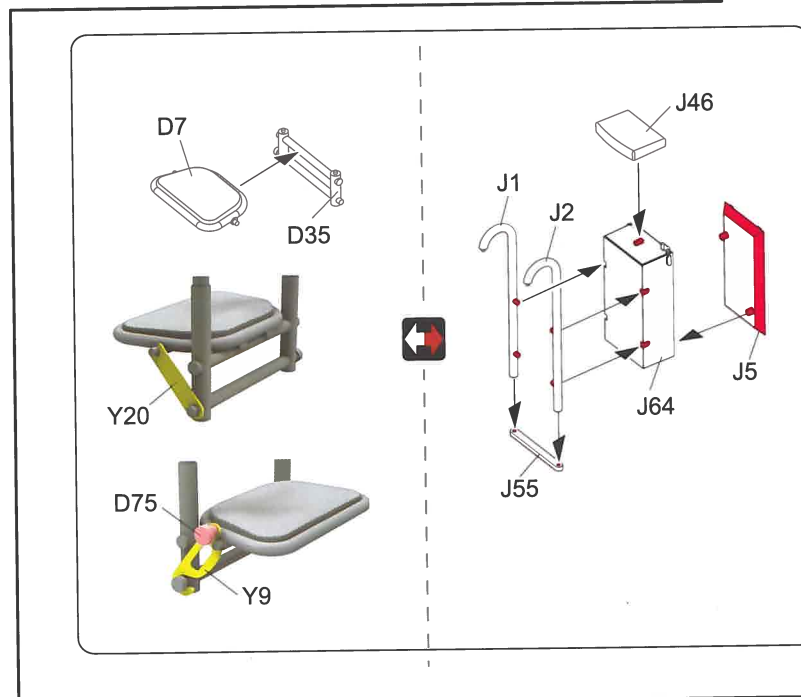
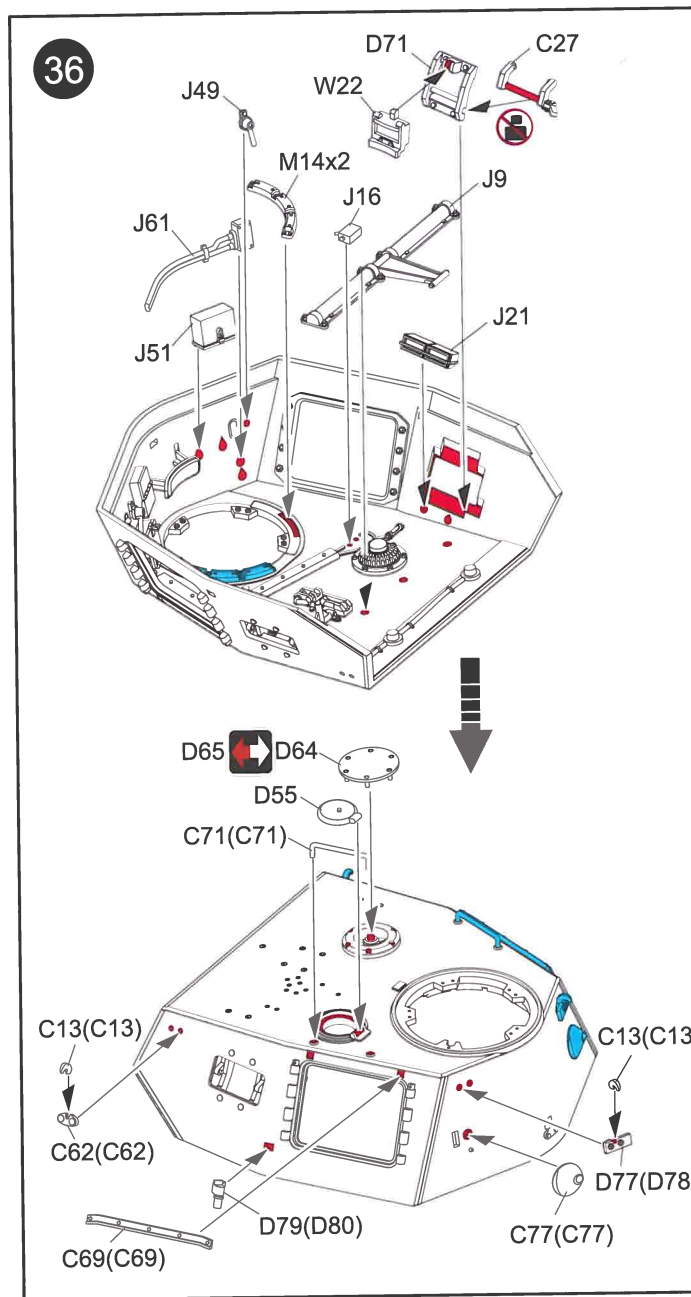
Assemble Step for Additional armor plates. 附加装甲的装配步骤



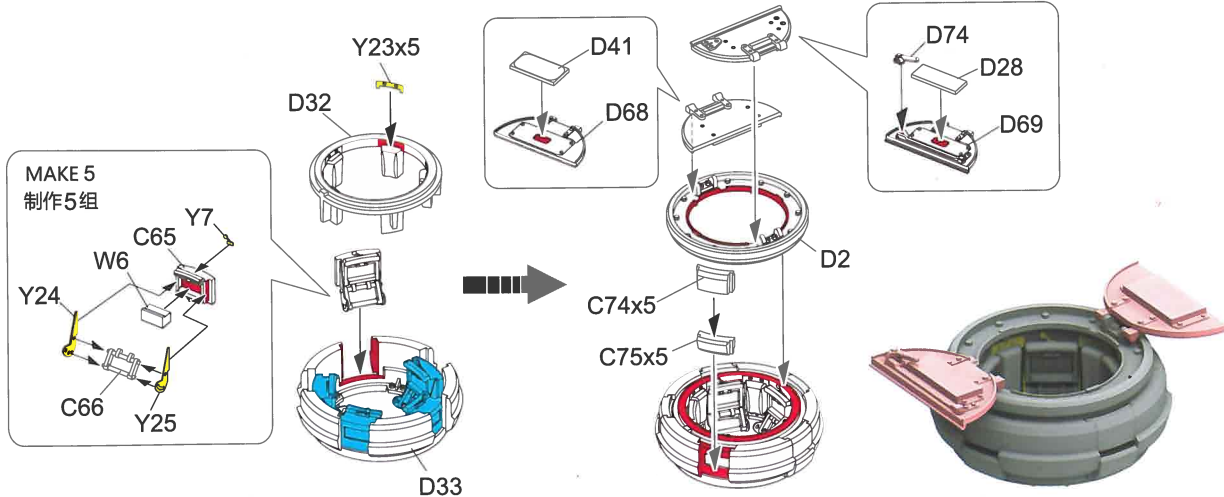
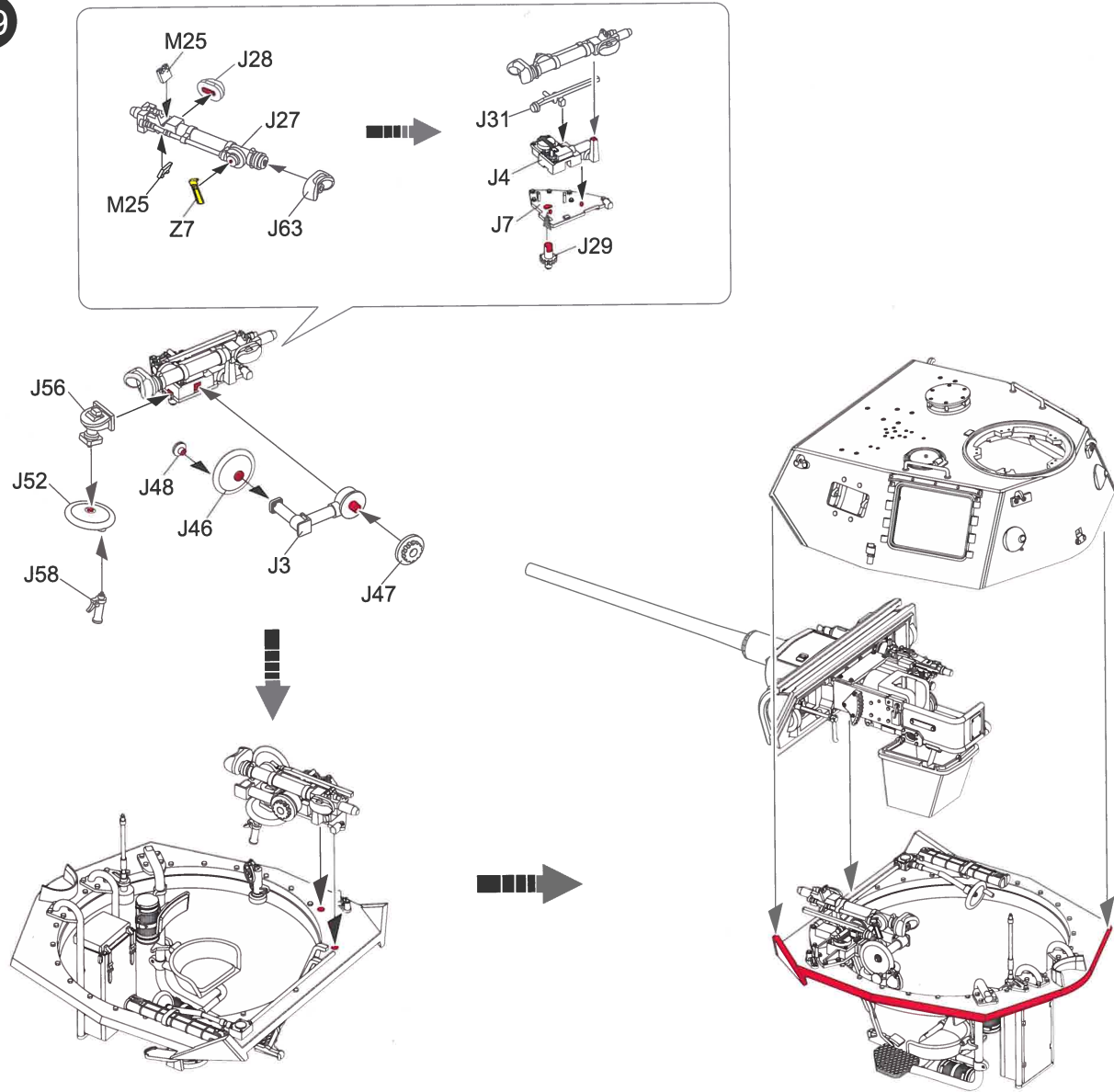
35

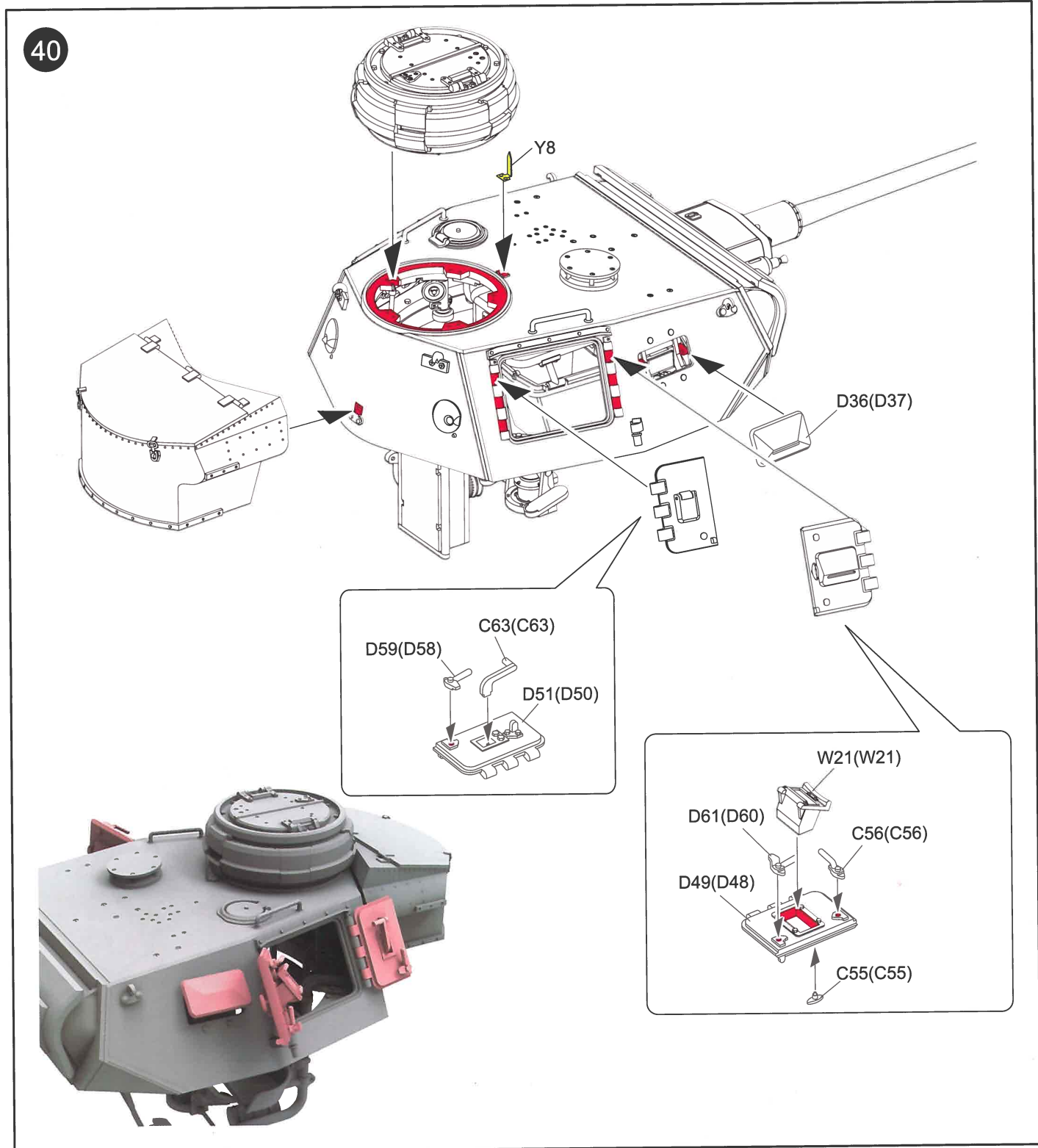
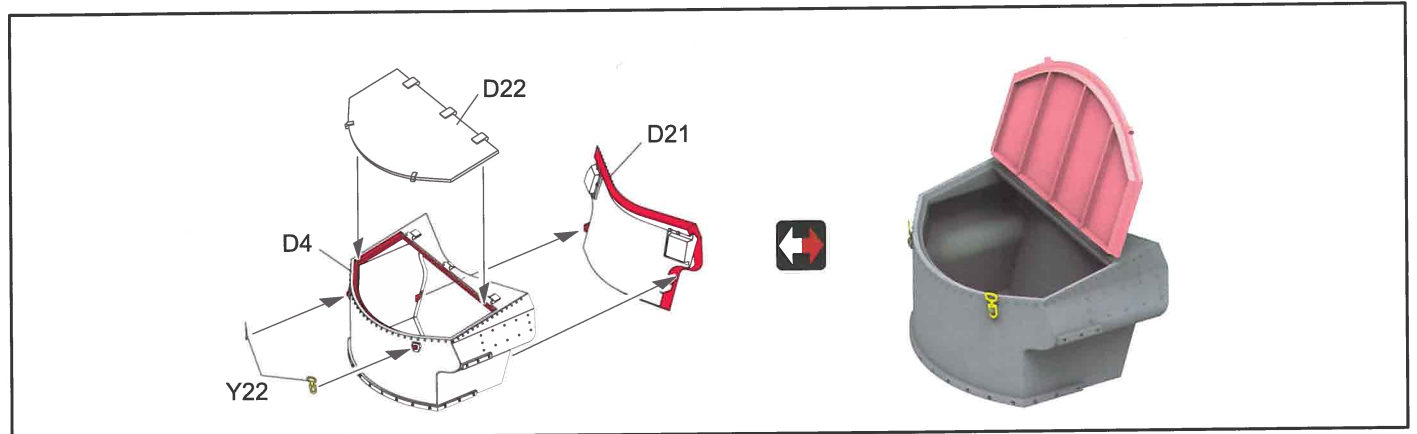






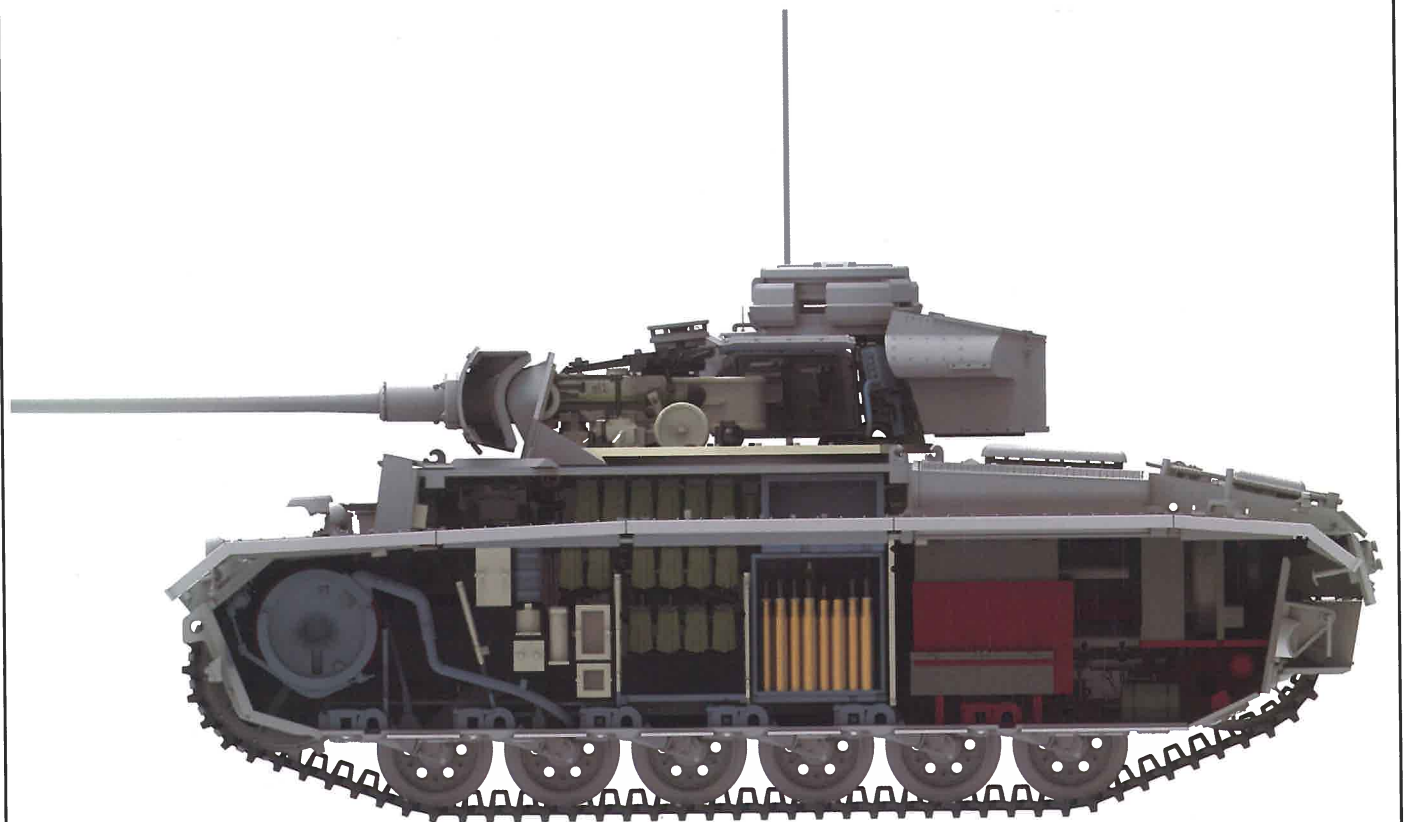
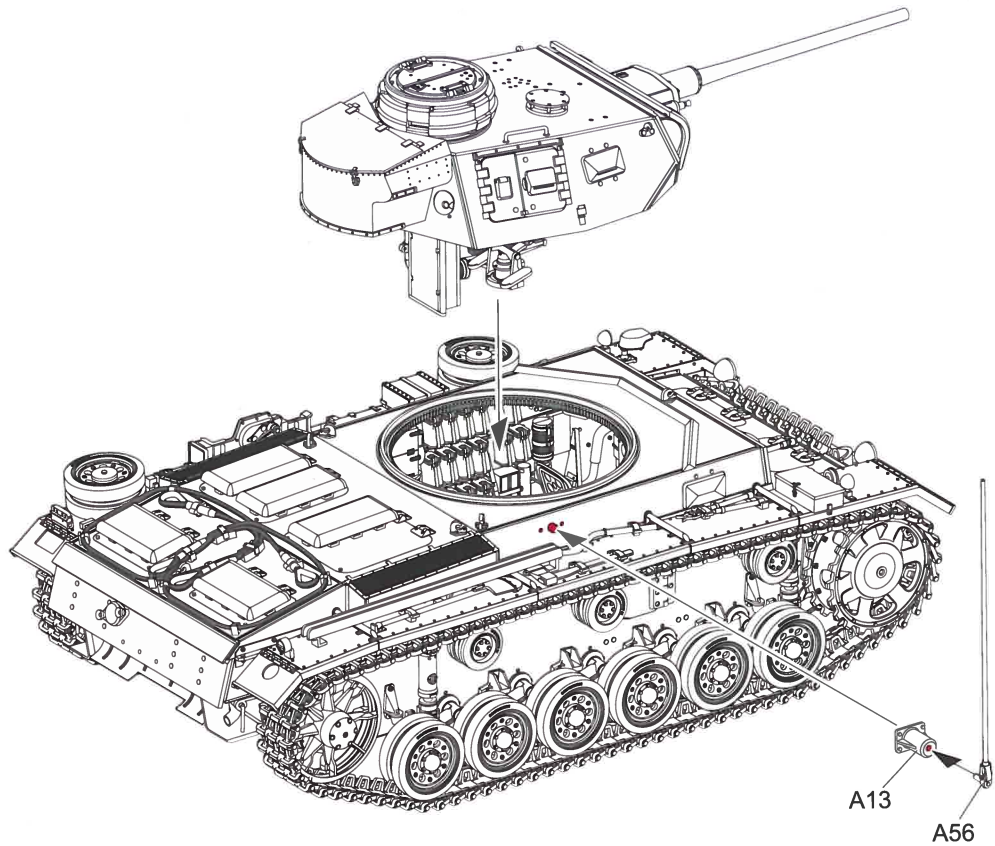
39







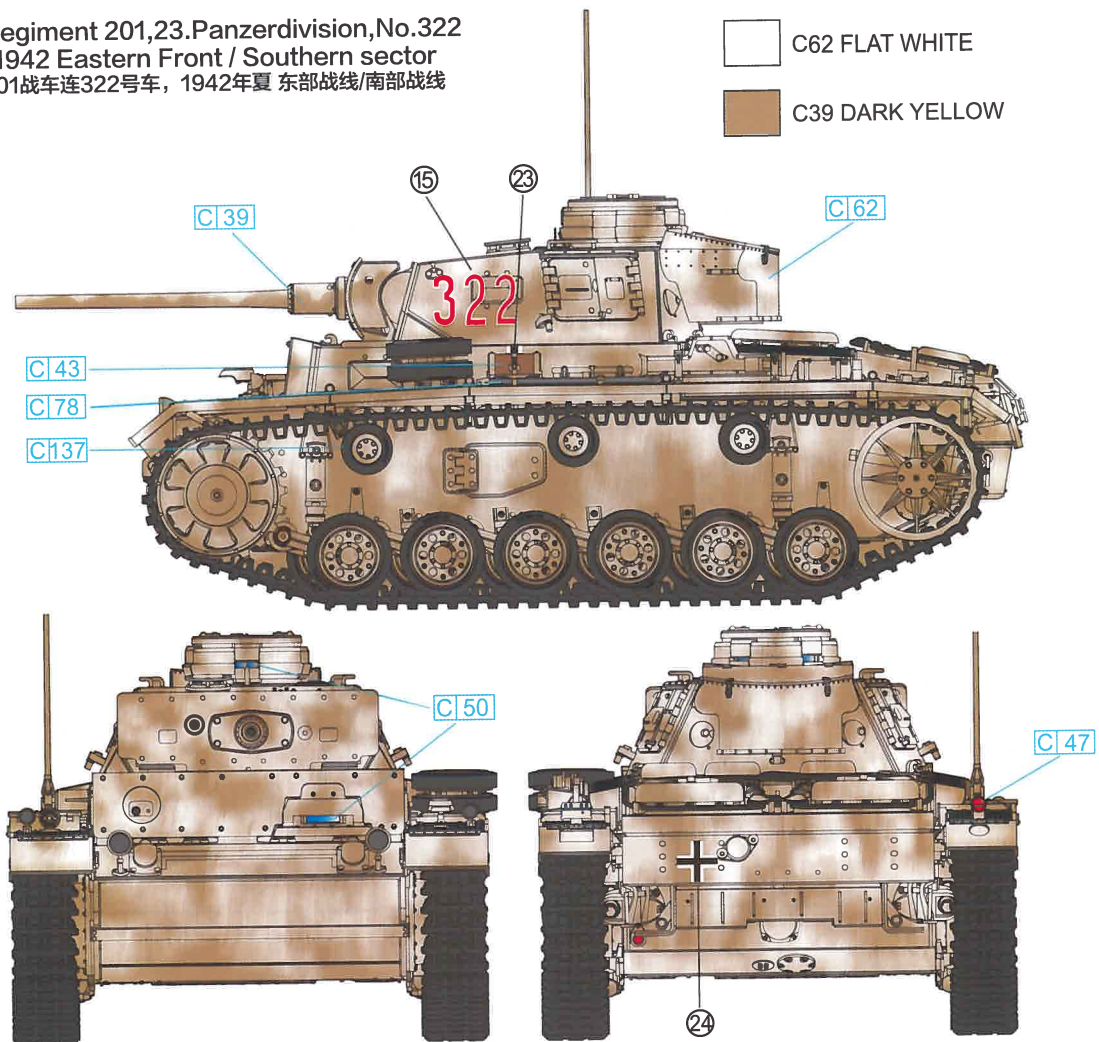
41



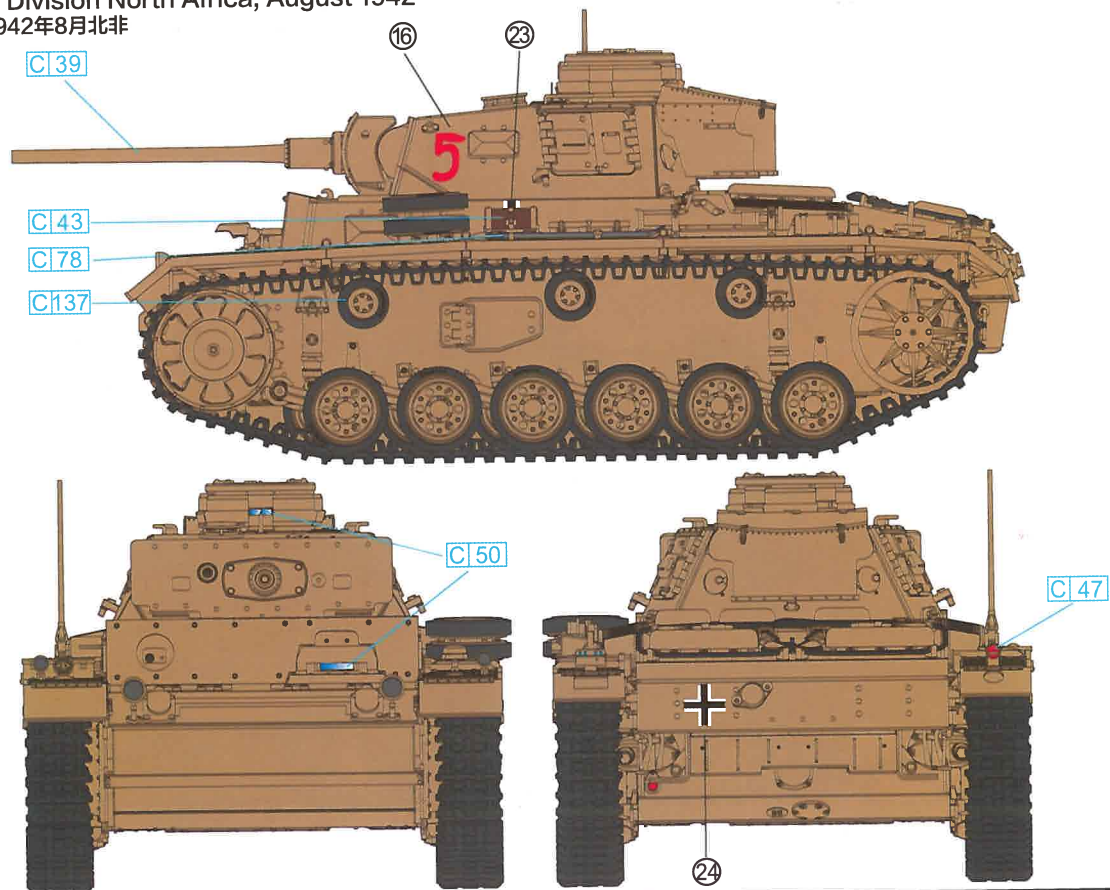
3./ Panzer Regiment 201,23.Panzerdivision,No.322  
 Summer of 1942 Eastern Front / Southern sector  
 第23装甲师第201战车连322号车, 1942年夏 东部战线/南部战线



□ C62 FLAT WHITE  
 ■ C39 DARK YELLOW



15th Panzer Division North Africa, August 1942  
 第15装甲师, 1942年8月北非

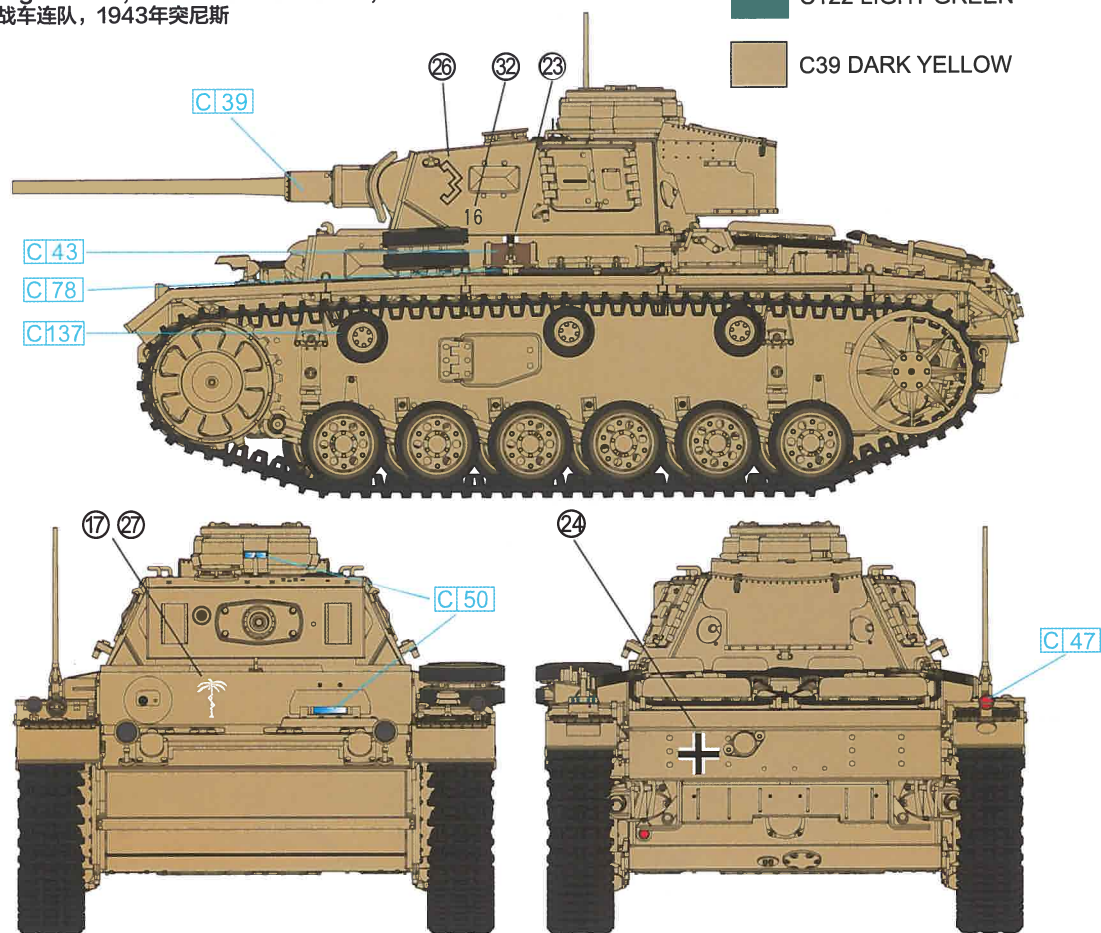




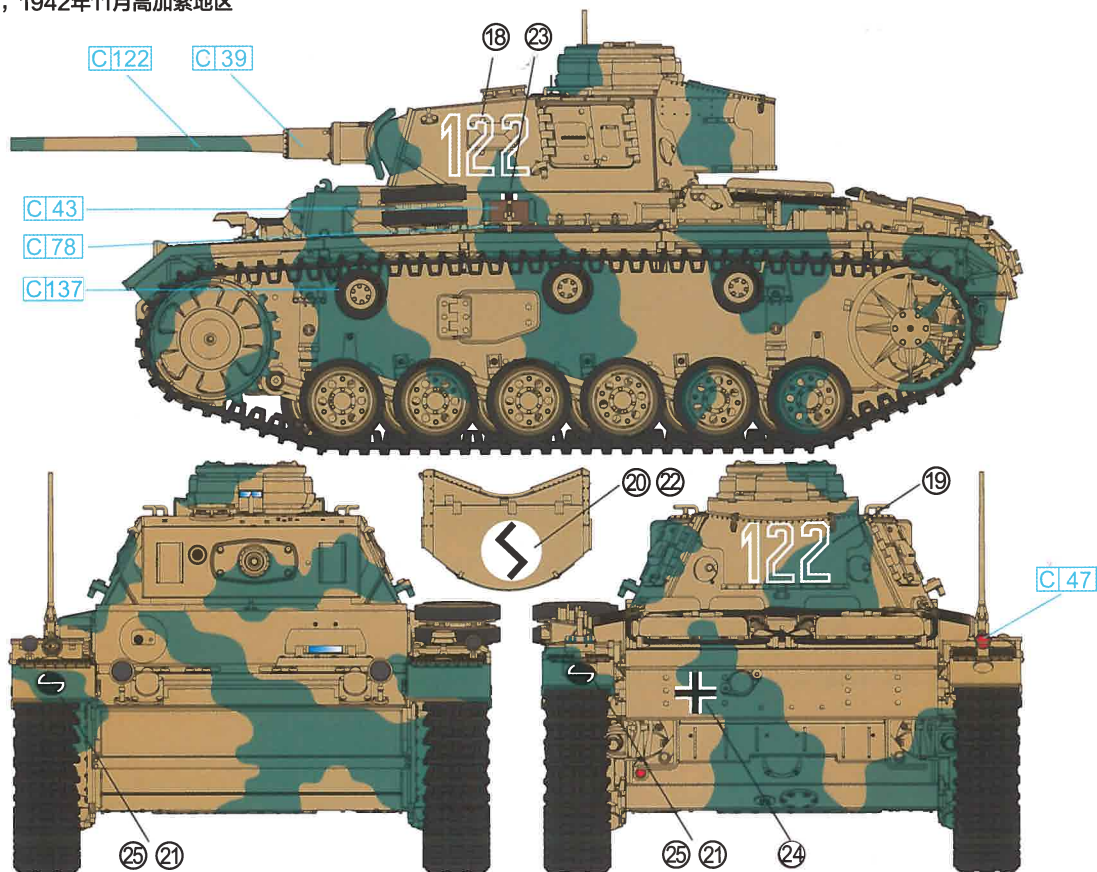
3./ Panzer Regiment 7,10th Panzerdivision ,Tunisia 1943  
 第10装甲师第7战车连队, 1943年突尼斯



C122 LIGHT GREEN  
 C39 DARK YELLOW

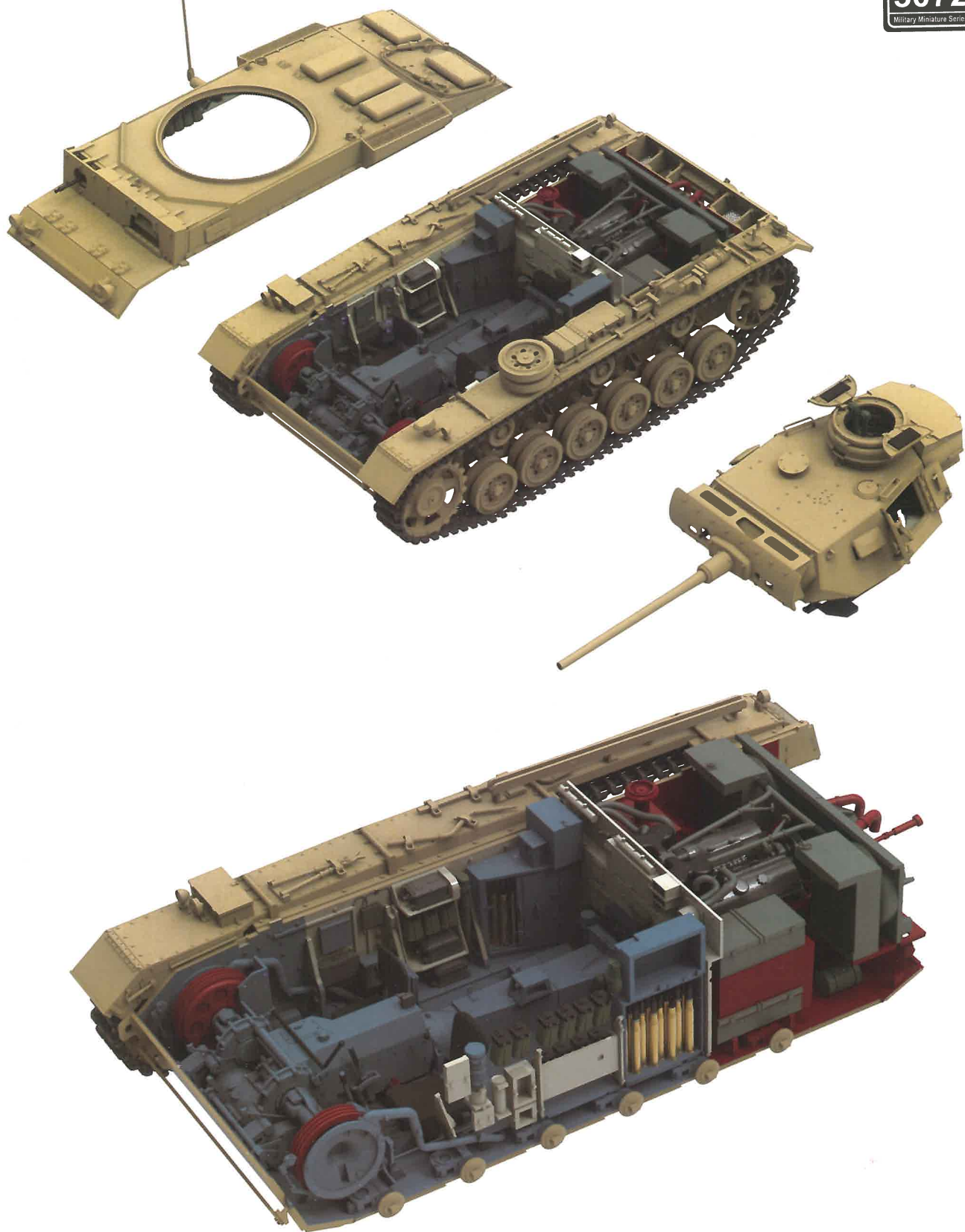


5SS.Panzer Division "Wiking" Caucasian region , November 1942  
 党卫军维京装甲师, 1942年11月高加索地区





1/35 SCALE  
**5072**  
Military Miniature Series



**Pz.Kpfw.III**  
**Ausf.J**  
WILL FULL INTERIOR

© RYEFIELD MODEL MADE IN CHINA  
**RFM**  
RYEFIELD MODEL  
香港麦田模型玩具有限公司  
NO.41-47 MARBLE ROAD NORTH POINT, HONG KONG  
RM508-9/F, WORKINGBERG COMMERCIAL BUILDING

